

**Vehicle: Locations****A-Z Component List**

| Component  | Location  | Connector  |
|--|---|------------|
| <b>4 Wheel Anti-lock Brakes Module</b>               | On LH front frame rail  | C144,C145  |
| <b>4 Wheel Anti-lock Brakes Relay</b>                | Behind center of Instrument Panel (I/P),<br>on 4 wheel anti-lock brakes relay | C232       |
| <b>4R7OW Transmission</b>                            | RH side of transmission   | C110       |
| <b>A/C Clutch Cycling Pressure Switch</b>            | RH front of engine compartment  | C161       |
| <b>A/C Compressor Clutch (4.2L)</b>                  | Left front of engine  | C143       |
| <b>A/C Compressor Clutch (4.6L, 5.4L, 6.8L)</b>      | Lower right front of engine   | C143       |
| <b>A/C Compressor Clutch (7.3L)</b>                  | Top LH front of engine  | C167       |
| <b>A/C Compressor Clutch Diode</b>                   | In Take Out (T/O) to A/C compressor clutch                                    | *          |
| <b>A/C Illumination Lamp</b>                         | Center of I/P, on A/C illumination lamp                                       | C205       |
| <b>A/C Pressure Cut-out Switch</b>                   | Right front of engine compartment   | C159       |
| <b>Anti-Lock Brake System</b>                        |   |            |
| <b>Data Link Connector</b>                           | Below LH side of I/P  | C242       |
| <b>Accelerator Pedal Position Sensor</b>             | Behind LH side I/P, above accelerator pedal                                   | C246       |
| <b>Air Bag Diagnostic Monitor</b>                    | Below RH side of I/P,<br>on air bag diagnostic monitor                        | C200       |
| <b>Air Bag Bracket</b>                               | Behind RH side of I/P near passenger's<br>airbag                              | C210       |
| <b>Auxiliary A/C Illumination</b>                    | Middle of rear headliner,<br>in rear auxiliary blower switch                  | C917       |
| <b>Auxiliary A/C-Heater Blower Switch (with A/C)</b> | Center of I/P above radio   | C230       |
| <b>Auxiliary Battery</b>                             | RH side of vehicle on frame rail  | *          |
| <b>Auxiliary Battery Relay</b>                       | Right front of engine compartment,<br>near battery                            | *          |
| <b>Auxiliary Blower Motor</b>                        | Left rear corner of vehicle, above wheel well                                 | C406       |
| <b>Auxiliary Blower Motor Relay</b>                  | Left rear corner of vehicle, above wheel well                                 | C403       |
| <b>Auxiliary Blower Resistor</b>                     | Left rear corner of vehicle, above wheel well                                 | C405       |
| <b>Auxiliary Heater Blower Switch</b>                | Center of I/P, above radio  | C230       |
| <b>Auxiliary High Blower Motor Relay</b>             | Left rear corner of vehicle, above wheel well                                 | C404       |
| <b>Auxiliary Powertrain Control Connector</b>        | Behind LH side of I/P   | C249       |
| <b>Barometric Pressure Sensor</b>                    | Below LH side of I/P  | C248       |
| <b>Blend Door Actuator</b>                           | Behind center of I/P, on A/C-heater plenum                                    | C237       |
| <b>Blower Motor</b>                                  | RH side of engine compartment   | C160       |
| <b>Blower Motor Relay</b>                            | LH front of engine compartment,<br>in engine compartment fuse box             | *          |
| <b>Blower Motor Resistor</b>                         | RH rear of engine compartment,<br>in engine compartment fuse box              | C158       |
| <b>Brake Air Pressure Regulator Valve</b>            | Left side of engine compartment,<br>near master cylinder                      | C153       |
| <b>Brake On/Off Switch</b>                           | Behind LH side of I/P, on brake pedal bracket                                 | C238       |
| <b>Brake Pressure Switch</b>                         | LH side of engine compartment, bottom<br>of brake master cylinder             | C151       |
| <b>Button Contact</b>                                | Attached to rear of right "B" pillar  | C309       |
| <b>Camshaft Position Sensor</b>                      | Front center of engine  | C1010      |
| <b>Cargo Lamp</b>                                    | Attached to rear headliner  | C900       |
| <b>Center Airbag Sensor</b>                          | Front center of engine compartment,<br>behind grille                          | C191       |
| <b>Cigar Lighter</b>                                 | Center of I/P, on cigar lighter   | C218, C257 |
| <b>Clockspring Assembly</b>                          | Top of steering column,<br>on clockspring assembly                            | C220, C223 |
| <b>Coil Per Plug #1 (5.4L, 6.8L)</b>                 | Right bank of engine, above #1 cylinder                                       | C184       |
| <b>Coil Per Plug #2 (5.4L, 6.8L)</b>                 | Right bank of engine, above #2 cylinder                                       | C183       |
| <b>Coil Per Plug #3 (5.4L, 6.8L)</b>                 | Right bank of engine, above #3 cylinder                                       | C182       |
| <b>Coil Per Plug #4 (5.4L, 6.8L)</b>                 | Right bank of engine, above #4 cylinder                                       | C181       |
| <b>Coil Per Plug #5 (5.4L)</b>                       | Left bank of engine, above #5 cylinder  | C176       |
| <b>Coil Per Plug #5 (6.8L)</b>                       | Right bank of engine, above #5 cylinder                                       | C176       |
| <b>Coil Per Plug #6 (5.4L, 6.8L)</b>                 | Left bank of engine, above #6 cylinder  | C177       |

|   |   |       |
|---|---|-------|
| <b>Coil Per Plug #7 (5.4L, 6.8L)</b>                                | Left bank of engine, above #7 cylinder                            | C178  |
| <b>Coil Per Plug #8 (5.4L, 6.8L)</b>                                | Left bank of engine, above #8 cylinder                            | C179  |
| <b>Coil Per Plug #9 (6.8L)</b>                                      | Left bank of engine, above #9 cylinder                            | C187  |
| <b>Coil Per Plug #10 (6.8L)</b>                                     | Left bank of engine, above #10 cylinder                           | C185  |
| <b>Courtesy Lamp Switch</b>   | In left front door jamb,<br>on left hand courtesy lamp switch     | C328  |
| <b>Cylinder Head Temperature Sensor (4.6L, 5.4L, 6.8L)</b>          | Top front of left cylinder head                                   | C172  |
| <b>Cylinder Identification Sensor (4.2L)</b>                        | Front center of engine  | C139  |
| <b>Cylinder Identification Sensor (4.6L, 5.4L)</b>                  | Front of left cylinder head                                       | C139  |
| <b>Cylinder Identification Sensor (6.8L)</b>                        | Left front of engine  | C139  |
| <b>Data Link Connector</b>  | Below LH side of I/P  | C241  |
| <b>Daytime Running Lamps Module</b>                                 | RH front of engine, near horns                                    | C193  |
| <b>Delta Pressure Feedback EGR Sensor (4.2L)</b>                    | Top right front of engine   | C118  |
| <b>Delta Pressure Feedback EGR Sensor (4.6L)</b>                    | Top left rear of engine   | C118  |
| <b>Delta Pressure Feedback EGR Sensor (5.4L)</b>                    | Top RH side of engine   | C118  |
| <b>Delta Pressure Feedback EGR Sensor (6.8L)</b>                    | Left rear top engine  | C118  |
| <b>Digital Transmission Range Sensor (4R70W)</b>                    | LH side of transmission   | C115  |
| <b>Digital Transmission Range Sensor (E4OD)</b>                     | LH side of transmission   | C115  |
| <b>Dome/Map Switch and Lamp</b>                                     | In front headliner  | C903  |
| <b>Dome Switch/Lamp</b>   | Middle of rear headliner  | C904  |
| <b>Driver's Air Bag</b>   | Top of steering column  | C255  |
| <b>Driver's Seat Belt</b>   | Right side of driver's seat                                       | C341  |
| <b>Driver's Seat Motor Assembly</b>                                 | Underside of driver's seat  | C338  |
| <b>Driver's Seat Regulator Control Switch</b>                       | On left side of driver's seat                                     | C337  |
| <b>Daytime Running Lamps Jumper (without Daytime Running Lamps)</b> | LH front of engine compartment, near horns                        | C193  |
| <b>Dual Brake Warning Diode/Resistor Assembly</b>                   | Main harness, near T/O to   | C225  |
| <b>Dual Brake Warning Switch</b>                                    | LH side of engine compartment, bottom<br>of brake master cylinder | C149  |
| <b>E4OD Transmission</b>  | RH side of transmission   | C114  |
| <b>EGR Solenoid (4.2L)</b>  | Above center of right valve cover                                 | C125  |
| <b>EGR Solenoid (4.6L)</b>  | Above LH valve cover, on bracket                                  | C125  |
| <b>EGR Solenoid (5.4L)</b>  | Above left rear of engine, on bracket                             | C125  |
| <b>EGR Solenoid (6.8L)</b>  | Top left rear of engine   | C125  |
| <b>Electronic Flasher</b>   | Behind LH side of I/P, on electronic flasher                      | C239  |
| <b>Engine Compartment Battery</b>                                   | RH front of engine compartment                                    | *     |
| <b>Engine Compartment Fuse Box</b>                                  | LH front of engine compartment                                    | *     |
| <b>Engine Coolant Temperature (ECT) Sensor (4.2L)</b>               | Top front of engine, on heater outlet elbow                       | C142  |
| <b>Engine Coolant Temperature Sender</b>                            | Lower left front of engine  | C1004 |
| <b>Engine Oil Pressure Switch (4.2L, 4.6L, 5.4L)</b>                | Left front of engine, below A/C compressor                        | C138  |
| <b>Engine Oil Pressure Switch (6.8L)</b>                            | Lower left front of engine  | C138  |
| <b>Engine Oil Pressure Switch (7.3L)</b>                            | Top right center of engine  | C138  |
| <b>Engine Oil Temperature Sensor</b>                                | Center LH side of engine  | C1007 |
| <b>Evaporative Emissions Canister</b>                               |   |       |

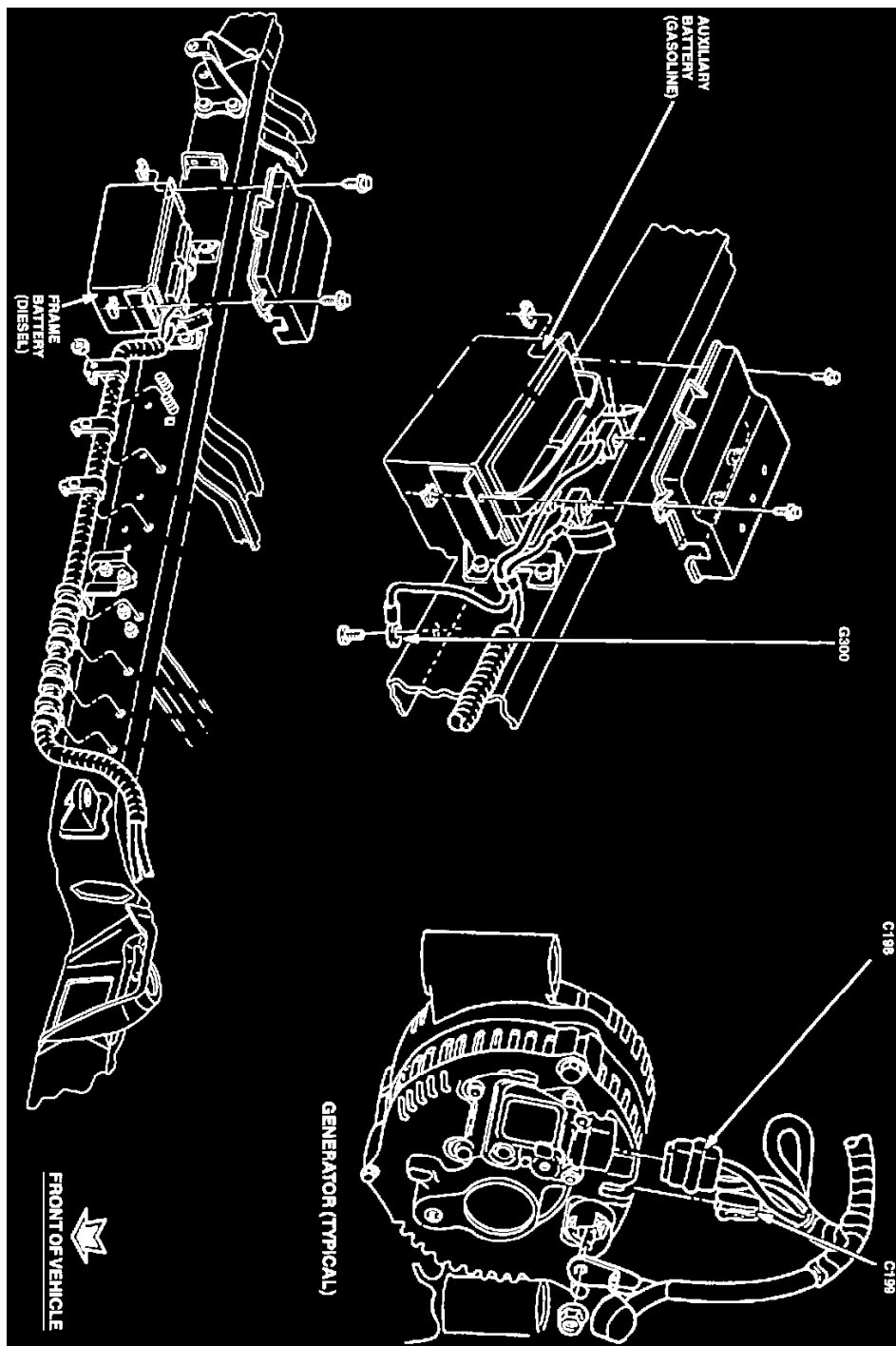
|  |   |       |
|--|---|-------|
| <b>Purge Valve</b>                                     | Under LH rear of vehicle  | C416  |
| <b>Exhaust Back Pressure Sensor</b>                    | Top center of engine  | C1008 |
| <b>Exhaust Pressure Regulator</b>                      | Top LH rear of engine   | C1011 |
| <b>Front Blower Switch</b>                             | Center of I/P, above radio  | C207  |
| <b>Fuel Injector #1</b><br>(4.2L, 4.6L, 5.4L, 6.8L)    | In intake manifold  | C119  |
| <b>Fuel Injector #2</b><br>(4.2L, 4.6L, 5.4L, 6.8L)    | In intake manifold  | C122  |
| <b>Fuel Injector #3</b><br>(4.2L, 4.6L, 5.4L, 6.8L)    | In intake manifold  | C123  |
| <b>Fuel Injector #4</b><br>(4.2L, 4.6L, 5.4L, 6.8L)    | In intake manifold  | C136  |
| <b>Fuel Injector #5</b><br>(4.2L, 4.6L, 5.4L, 6.8L)    | In intake manifold  | C135  |
| <b>Fuel Injector #6</b><br>(4.2L, 4.6L, 5.4L, 6.8L)    | In intake manifold  | C134  |
| <b>Fuel Injector #7</b><br>(4.6L, 5.4L, 6.8L)          | In intake manifold  | C170  |
| <b>Fuel Injector #8</b><br>(4.6L, 5.4L, 6.8L)          | In intake manifold  | C171  |
| <b>Fuel Injector #9</b>                                | In intake manifold  | C186  |
| <b>Fuel Injector #10</b>                               | In intake manifold  | C188  |
| <b>Fuel Injectors/Glow Plugs (#1, #3)</b>              | Near front of RH side of right valve cover                          | C1000 |
| <b>Fuel Injectors/Glow Plugs (#5, #7)</b>              | Near rear of RH side of right valve cover                           | C1001 |
| <b>Fuel Injectors/Glow Plugs (#2, #4)</b>              | Near front of LH side of left valve cover                           | C1002 |
| <b>Fuel Injectors/Glow Plugs (#6, #8)</b>              | Near rear of LH side of left valve cover                            | C1003 |
| <b>Fuel Line Heater</b>                                | Top center of engine  | C1018 |
| <b>Fuel Octane Sensor</b>                              | LH rear of engine compartment,<br>near powertrain control module    | C152  |
| <b>Fuel Pump Module</b>                                | Below vehicle, in fuel tank   | C347  |
| <b>Fuel Pump Relay</b>                                 | LH front of engine compartment,<br>in engine compartment fuse box   | *     |
| <b>Fuel Water Switch</b>                               | Top right center of engine  | C1999 |
| <b>Function Selector Switch</b>                        | Center of I/P   | C204  |
| <b>Fuel Tank Pressure Transducer</b>                   | Under center rear of vehicle, near fuel tank                        | C305  |
| <b>Fuse Link A</b>                                     | At starter motor relay  | *     |
| <b>Fuse Link B</b>                                     | At starter motor relay  | *     |
| <b>Fuse Link C</b>                                     | At starter motor relay  | *     |
| <b>Fuse Link D</b>                                     | At starter motor relay  | *     |
| <b>Fuse Link E</b>                                     | At starter motor relay  | *     |
| <b>Generator/Regulator</b>                             | Top RH side of engine   | C198  |
| <b>Generator/Regulator</b>                             | Top RH side of engine   | C199  |
| <b>Glow Plug Relay</b>                                 | Top RH side of engine   | *     |
| <b>Heated Oxygen Sensor #11</b><br>(4.2L, 4.6L, 5.4L)  | Lower right rear of engine  | C127  |
| <b>Heated Oxygen Sensor #11 (6.8L)</b>                 | Right rear of engine  | C127  |
| <b>Heated Oxygen Sensor #12</b><br>(4.2L, 4.6L)        | Beneath center of vehicle, on right side of<br>transmission         | C106  |
| <b>Heated Oxygen Sensor #21 (4.2L, 6.8L)</b>           | Left rear of engine   | C128  |
| <b>Heated Oxygen Sensor #21 (4.6L, 5.4L)</b>           | Lower left rear of engine   | C128  |
| <b>Heated Oxygen Sensor (HO2S) #22</b><br>(4.2L, 4.6L) | Beneath center of vehicle, near left rear of<br>transmission        | C107  |
| <b>Heated Oxygen Sensor (HO2S) #22</b><br>(5.4L, 6.8L) | Beneath center of vehicle   | C105  |
| <b>High Mounted Stop/Cargo Lamp</b>                    | Top rear of vehicle   | C411  |
| <b>High Pitch Horn</b>                                 | Lower right front of engine compartment,<br>behind grille           | C192  |
| <b>Horn Relay</b>                                      | Left front of engine compartment,<br>in engine compartment fuse box | *     |
| <b>Horn Switch</b>                                     | Center of steering wheel  | *     |
| <b>Idle Air Control Valve (4.2L)</b>                   | RH side of engine, near ignition coil                               | C129  |
| <b>Idle Air Control Valve (4.6L)</b>                   | Rear of engine, near intake   | C129  |

|   |   |       |
|---|---|-------|
| <b>Idle Air Control Valve (5.4L, 6.8L)</b>    | Top center rear of engine, near air intake              | C129  |
| <b>Idle Validation Switch</b>                 | Below LH side of I/P                                    | C247  |
| <b>Ignition Coil (4.2L)</b>                   | Left front of engine                                    | C130  |
| <b>Ignition Coil (4.6L)</b>                   | Left front of engine                                    | C175  |
| <b>Ignition Coil (4.6L)</b>                   | Right front of engine                                   | C169  |
| <b>Ignition Switch</b>                        | Lower RH side of steering column                        | C240  |
| <b>Illuminated Entry Module</b>               | Behind LH side of I/P                                   | C215  |
| <b>In-transit Fuel Pump/Sender</b>            | Below vehicle, along LH frame rail                      | C344  |
| <b>Inertia Fuel Shutoff</b>                   | Behind RH kick panel                                    | C236  |
| <b>Injection Control Pressure Sensor</b>      | Top of engine   | C1009 |
| <b>Injection Pressure Regulator</b>           | Center top of engine                                    | C1006 |
| <b>Injector Driver Module</b>                 | Left front side of engine compartment                   | C1157 |
| <b>Inlet Air Control Sensor (4.6L, 5.4L)</b>  | LH front of engine                                      | C173  |
| <b>Instrument Cluster</b>                     | Behind LH side of I/P                                   | C224  |
| <b>Instrument Cluster</b>                     | Behind LH side of I/P                                   | C225  |
| <b>Instrument Cluster</b>                     | Behind LH side of I/P                                   | C226  |
| <b>Instrumentation Engine Coolant</b>         |   |       |
| <b>Temperature Sensor (4.2L)</b>              | RH rear of engine, near fuel injector #6                | C137  |
| <b>Instrumentation Engine Coolant</b>         |   |       |
| <b>Temperature Sensor (4.6L)</b>              | Top front center of engine                              | C137  |
| <b>Instrumentation Engine Coolant</b>         |   |       |
| <b>Temperature Sensor (5.4L)</b>              | Top LH side of engine, on lower intake manifold         | C137  |
| <b>Instrumentation Engine Coolant</b>         |   |       |
| <b>Temperature Sensor (6.8L)</b>              | Upper left front of engine                              | C137  |
| <b>Intake Air Temperature Sensor</b>          | Center of engine compartment, part of<br>clean air tube | C156  |
| <b>Intake Manifold Runner Position</b>        | Left rear of intake                                     | C133  |
| <b>#1 Sensor</b>                              |   |       |
| <b>Intake Manifold Runner Position</b>        | Right rear of intake                                    | C132  |
| <b>#2 Sensor</b>                              |   |       |
| <b>Intake Manifold Runner Control</b>         | Right rear top of engine                                | C124  |
| <b>I/P Fuse Panel</b>                         | Below left side of I/P, near left kick panel            | *     |
| <b>Knock Sensor (4.2L)</b>                    | Right rear side of engine                               | C140  |
| <b>Knock Sensor (4.6L, 6.8L)</b>              | Top right rear side of engine                           | C140  |
| <b>Knock Sensor (5.4L)</b>                    | Top right rear of engine                                | C140  |
| <b>Left Front Courtesy Lamp</b>               | In lower rear of left front door                        | C503  |
| <b>Left Front Door Lock Motor</b>             | Rear of left front door                                 | C501  |
| <b>Left Front Door Speaker</b>                | Top right corner of LH door                             | C504  |
| <b>Left Front Park/Turn Lamp</b>              | LH front of vehicle                                     | C190  |
| <b>Left Front Wheel Sensor</b>                | Behind LH front wheel                                   | C102  |
| <b>Left Power Mirror</b>                      | Front of left front door                                | C507  |
| <b>Left Stop/Park/Turn Lamp</b>               | LH rear of vehicle                                      | C410  |
| <b>LH Aero Headlamp</b>                       | LH front of vehicle                                     | C189  |
| <b>LH Backup Lamp</b>                         | LH rear of vehicle                                      | C409  |
| <b>LH Courtesy Lamp Switch</b>                | Mounted in LH door jamb                                 | C328  |
| <b>LH Door Handle Switch</b>                  | Top left corner of LH door                              | C506  |
| <b>LH Headlamp</b>                            | LH front of vehicle                                     | C196  |
| <b>LH Mid Speaker</b>                         | Behind LH "B" pillar                                    | C332  |
| <b>LH Power Window Motor</b>                  | Lower center of left front door                         | C502  |
| <b>LH Rear Speaker</b>                        | Mounted on LH rear door panel                           | C413  |
| <b>LH Visor Lamp</b>                          | LH side of front headliner                              | C921  |
| <b>License Lamp</b>                           | In right rear door                                      | C408  |
| <b>Low Vacuum Warning Switch</b>              | Left front of engine compartment                        | C164  |
| <b>Main Light Switch</b>                      | LH side of I/P  | C227  |
| <b>Manifold Absolute Pressure Sensor</b>      | Right side of engine compartment                        | C1155 |
| <b>Mass Air Flow Sensor</b>                   | Center of engine compartment                            | C155  |
| <b>Master Window/Door Lock Control Switch</b> | Mounted on LH door panel                                | C500  |
| <b>Memory Lock Module</b>                     | Behind LH "B" pillar                                    | C330  |
| <b>Misfire Sensor (4.2L, 4.6L, 6.8L)</b>      | Lower right front of engine                             | C141  |
| <b>Misfire Sensor (5.4L)</b>                  | Lower center front of engine                            | C141  |
| <b>Modified Vehicle Power (C148)</b>          | Left rear corner of engine compartment                  | C148  |
| <b>Modified Vehicle Power (C233)</b>          | Behind LH side of I/P                                   | C233  |

|  |   |            |
|--|---|------------|
| <b>Modified Vehicle Power (C331)</b>           | At base of LH "B" pillar  | C331       |
| <b>Multi-function Switch</b>                   | Top side of steering column                                       | C250       |
| <b>Multi-function Switch</b>                   | Top side of steering column                                       | C251       |
| <b>Output Shaft Speed Sensor</b>               | Under vehicle, on left side of transmission                       | C109       |
| <b>Overdrive Cancel Switch</b>                 | RH side of steering column  | C222       |
| <b>Parking Brake Switch</b>                    | Near LH kick panel  | C243       |
| <b>Passenger's Air Bag</b>                     | Behind RH side of I/P   | C209       |
| <b>Passenger's Seat Belt</b>                   | On left side of front passenger seat                              | C342       |
| <b>Powertrain Control Module Power Relay</b>   | LH front of engine compartment,<br>in engine compartment fuse box | *          |
| <b>Plugged Fuel Filter Vacuum Switch</b>       | Top RH side of engine   | C1997      |
| <b>Power Mirror Switch (without Door Trim)</b> | Center of driver's door   | C508       |
| <b>Power Mirror Switch (with Door Trim)</b>    | Center of driver's door   | C505       |
| <b>Power Plug</b>                              | Behind center I/P, near cigar lighter                             | C219       |
| <b>Powertrain Control Module</b>               | Left rear of engine compartment, near<br>brake master cylinder    | C154       |
| <b>Rear Anti-lock Brake System</b>             |   |            |
| <b>Diagnostic Connector</b>                    | Below RH side of I/P  | C208       |
| <b>Radio</b>                                   | Center of I/P   | C212,C213  |
| <b>Radio</b>                                   | Center of I/P   | C231       |
| <b>Radio Capacitor #1 (4.2L)</b>               | Top side of engine, attached to ignition coil                     | C131       |
| <b>Radio Capacitor #1 (4.6L)</b>               | Right front of engine, attached to ignition coil                  | C131       |
| <b>Radio Capacitor #2 (4.6L)</b>               | LH side of engine, attached to ignition coil                      | C174       |
| <b>Radio Capacitor #1 (5.4L)</b>               | Upper left rear of engine   | C131       |
| <b>Radio Capacitor #2 (5.4L)</b>               | Right rear of engine  | C174       |
| <b>Radio Capacitor #1 (6.8L)</b>               | Upper left rear of engine   | C131       |
| <b>Radio Capacitor #2 (6.8L)</b>               | Upper RH rear of engine   | C174       |
| <b>Rear Anti-lock Brake System</b>             |   |            |
| <b>Module</b>                                  | Behind center side of I/P   | C217       |
| <b>Rear Anti-lock Brake Air Pressure</b>       |   |            |
| <b>Regulator Valve</b>                         | Lower left of engine compartment                                  | C153       |
| <b>Rear Auxiliary Blower Switch</b>            | Middle of rear headliner  | C916       |
| <b>Rear Axle Speed Sensor</b>                  | Below rear of vehicle, mounted on<br>differential                 | C415       |
| <b>Rear Courtesy Lamp Switch</b>               | In RH rear door jamb  | C414       |
| <b>Rear Dome/Map Switch and Lamp</b>           | In rear of rear headliner   | C901       |
| <b>Rear Door Lock Motor</b>                    | In RH rear door, above license plate                              | C423       |
| <b>Remote Keyless Entry Module</b>             | Behind LH "B" pillar  | C335, C336 |
| <b>Remote Radio Control</b>                    | Behind LH "B" pillar  | C333       |
| <b>RH Aero Headlamp</b>                        | RH front of vehicle   | C195       |
| <b>RH Backup Lamp</b>                          | RH rear of vehicle  | C400       |
| <b>RH Courtesy Lamp Switch</b>                 | In RH door jamb   | C327       |
| <b>RH Door Handle Switch</b>                   | Top rear of right front door                                      | C605       |
| <b>RH Headlamp</b>                             | RH front of vehicle   | C197       |
| <b>RH Power Door Lock/Window Switch</b>        | Center of right front door  | C600       |
| <b>RH Power Window Motor</b>                   | Lower center of right front door                                  | C601       |
| <b>RH Rear Speaker</b>                         | Mounted in RH rear door   | C421       |
| <b>RH Side Door Speaker</b>                    | Front center of side door   | C311       |
| <b>RH Visor Lamp</b>                           | RH side of front headliner  | C922       |
| <b>Right Front Courtesy Lamp</b>               | In lower rear of right front door                                 | C603       |
| <b>Right Front Door Lock Motor</b>             | Top rear of right front door                                      | C602       |
| <b>Right Front Door Speaker</b>                | In front center of right front door                               | C604       |
| <b>Right Front Park/turn Lamp</b>              | RH front of vehicle   | C194       |
| <b>Right Front Wheel Sensor</b>                | Near right front wheel  | C103       |
| <b>Right Power Mirror</b>                      | Front of right front door   | C606       |
| <b>Right Stop/Park/Turn Lamp</b>               | RH rear of vehicle  | C401       |
| <b>Remote Keyless Entry</b>                    |   |            |
| <b>Data Link Connector</b>                     | Behind LH side of I/P   | C245       |
| <b>Shift Lock Actuator</b>                     | Below RH side of steering column                                  | C221       |
| <b>Side Door Courtesy Lamp Switch</b>          | Behind RH "B" pillar in door jamb                                 | C308       |
| <b>Side Door Courtesy Lamp Switch</b>          | Behind RH "B" pillar in door jamb                                 | C312       |
| <b>Side Door Lock Motor</b>                    | Mounted in side door  | C315       |
| <b>Speed Control Servo/Amplifier Assembly</b>  | LH side of engine compartment, near<br>brake master cylinder      | C146       |
| <b>Speed Control Switch Assembly</b>           | Top of steering column  | C253       |

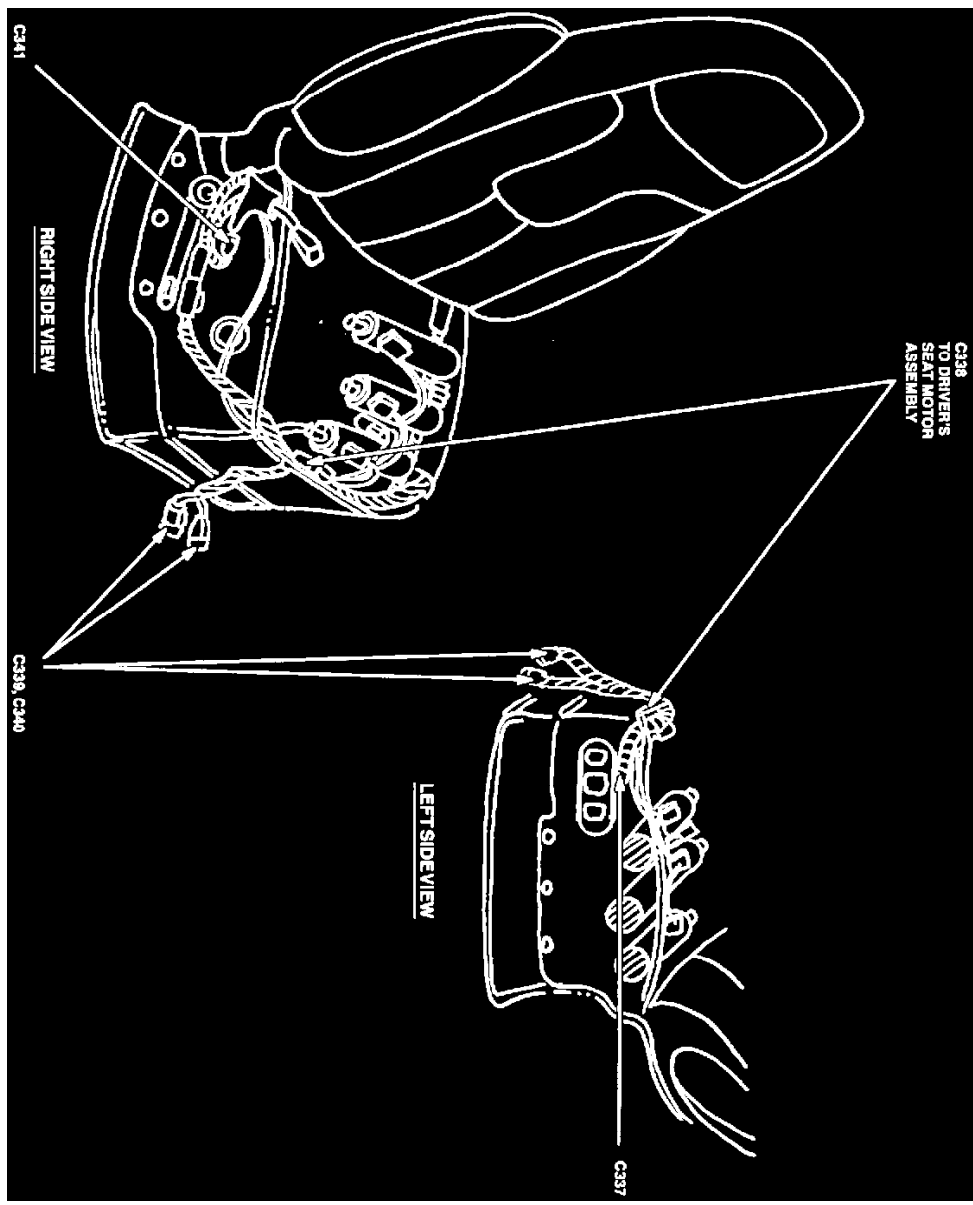
|  |   |       |
|--|---|-------|
| <b>Starter Motor</b>   | Lower RH side of engine   | *     |
| <b>Starter Motor Relay</b>                                   | RH front corner of engine compartment,<br>near battery            | *     |
| <b>Temperature Control Switch</b>                            | Center of I/P   | C206  |
| <b>Throttle Position Sensor<br/>(4.2L, 4.6L, 5.4L, 6.8L)</b> | Top of engine, near air intake                                    | C117  |
| <b>Trailer Backup Lamp Relay</b>                             | LH front of engine compartment,<br>in engine compartment fuse box | *     |
| <b>Trailer Battery Charge Relay</b>                          | LH front of engine compartment,<br>in engine compartment fuse box | *     |
| <b>Trailer Running Lamp Relay</b>                            | LH front of engine compartment,<br>in engine compartment fuse box | *     |
| <b>Trailer/Camper Adapter Connector<br/>(Class I)</b>        | Below LH side of rear bumper                                      | C422  |
| <b>Trailer/Camper Adapter Connector<br/>(Class II)</b>       | Below LH side of rear bumper                                      | C419  |
| <b>Vapor Management Valve<br/>(4.2L, 4.6L, 5.4L, 6.8L)</b>   | Center rear of engine compartment                                 | C126  |
| <b>Vehicle Speed Sensor</b>                                  | Under vehicle, on left side of transmission                       | C108  |
| <b>Warning Buzzer Module</b>                                 | Behind center of I/P  | C214  |
| <b>Washer Pump</b>   | Attached to washer fluid reservoir<br>on RH fender apron          | C157  |
| <b>Water In Fuel Sensor</b>                                  | Top left center of engine   | C1998 |
| <b>Windshield Wiper Motor</b>                                | LH rear of engine compartment, mounted<br>on top of cowl          | C147  |
| <b>Wiper Control Module</b>                                  | Behind center side of I/P   | C216  |

## Batteries and Generator View



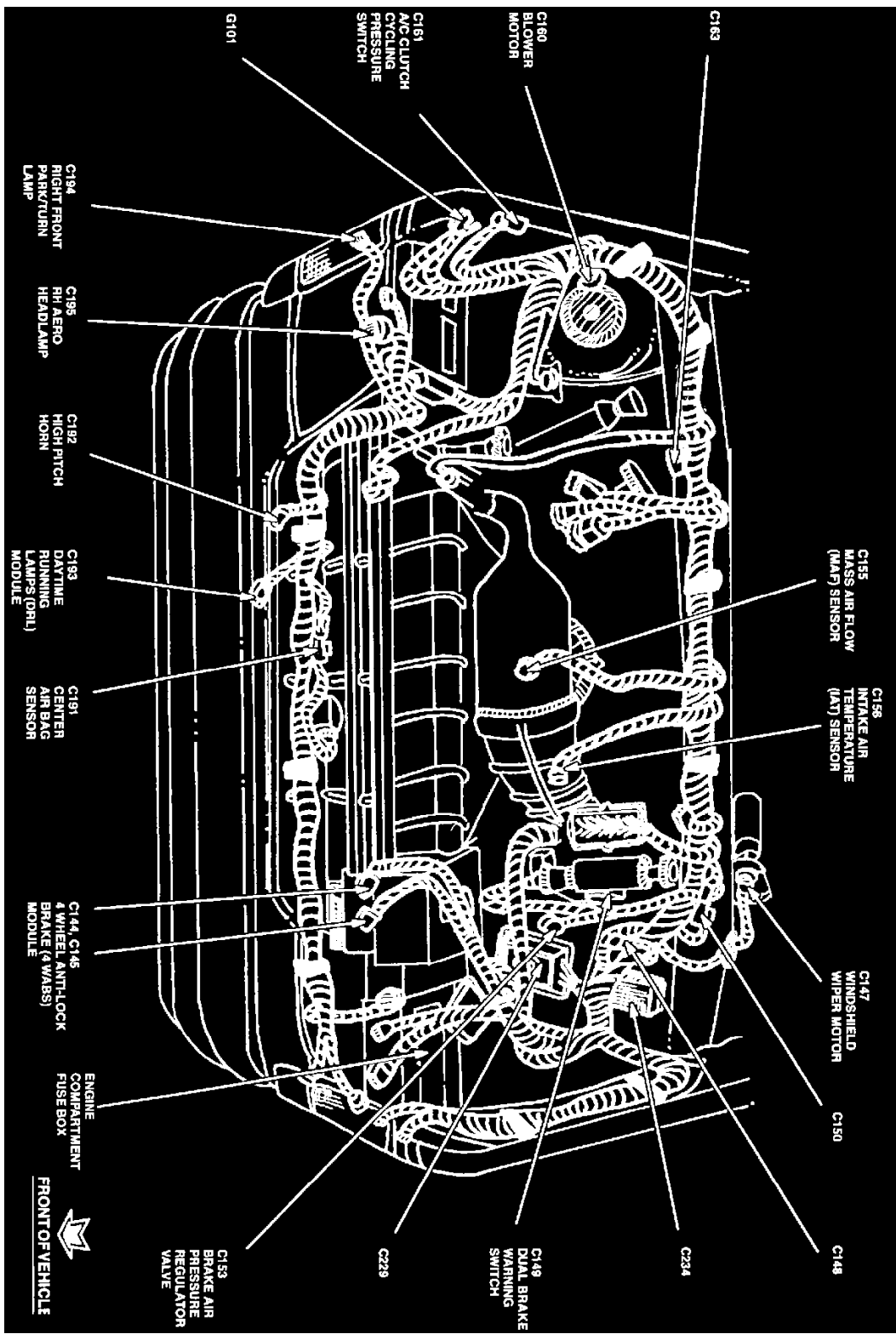
Batteries And Generators View

Driver's Seat View

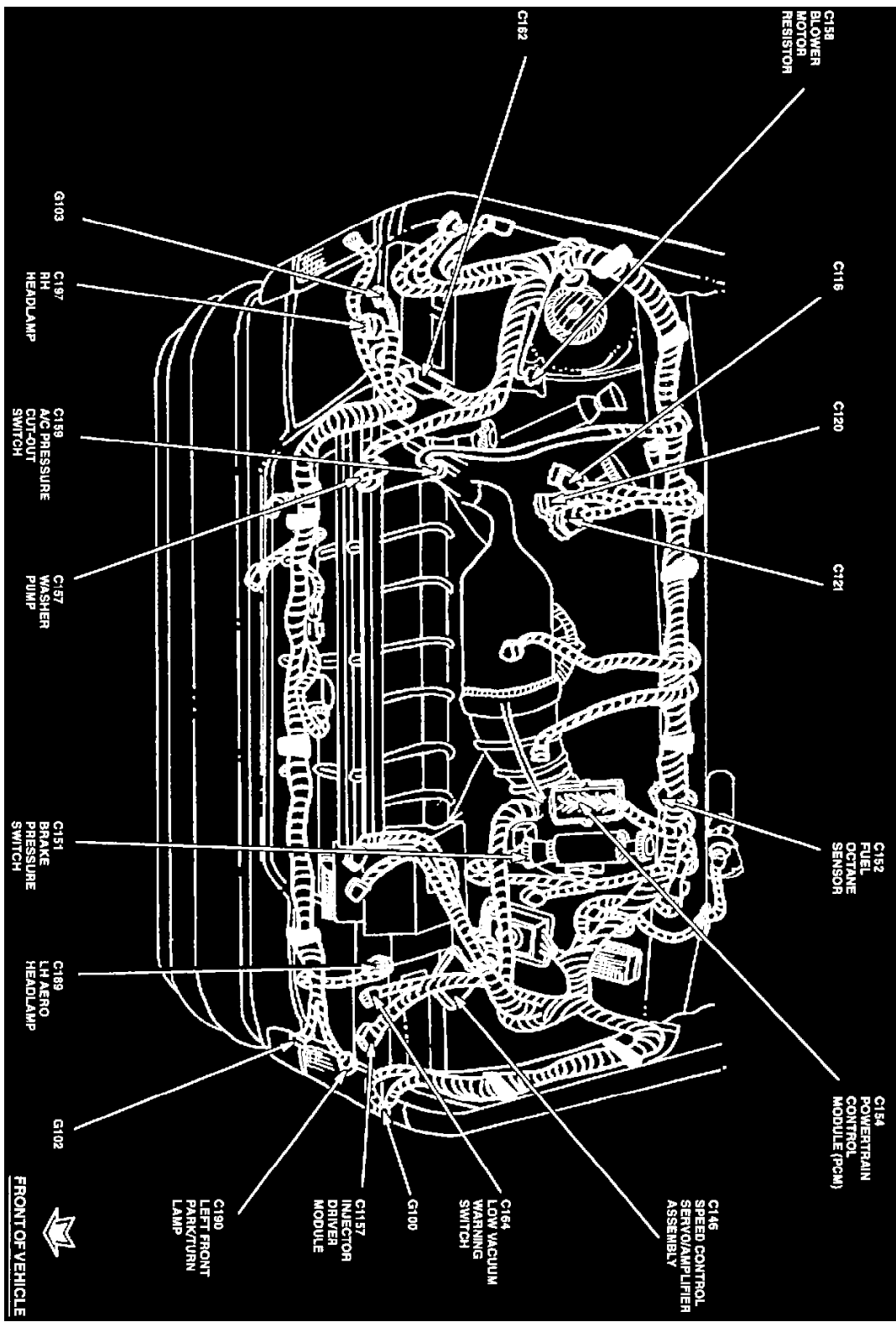


Driver's Seat View

### Engine Compartment Views

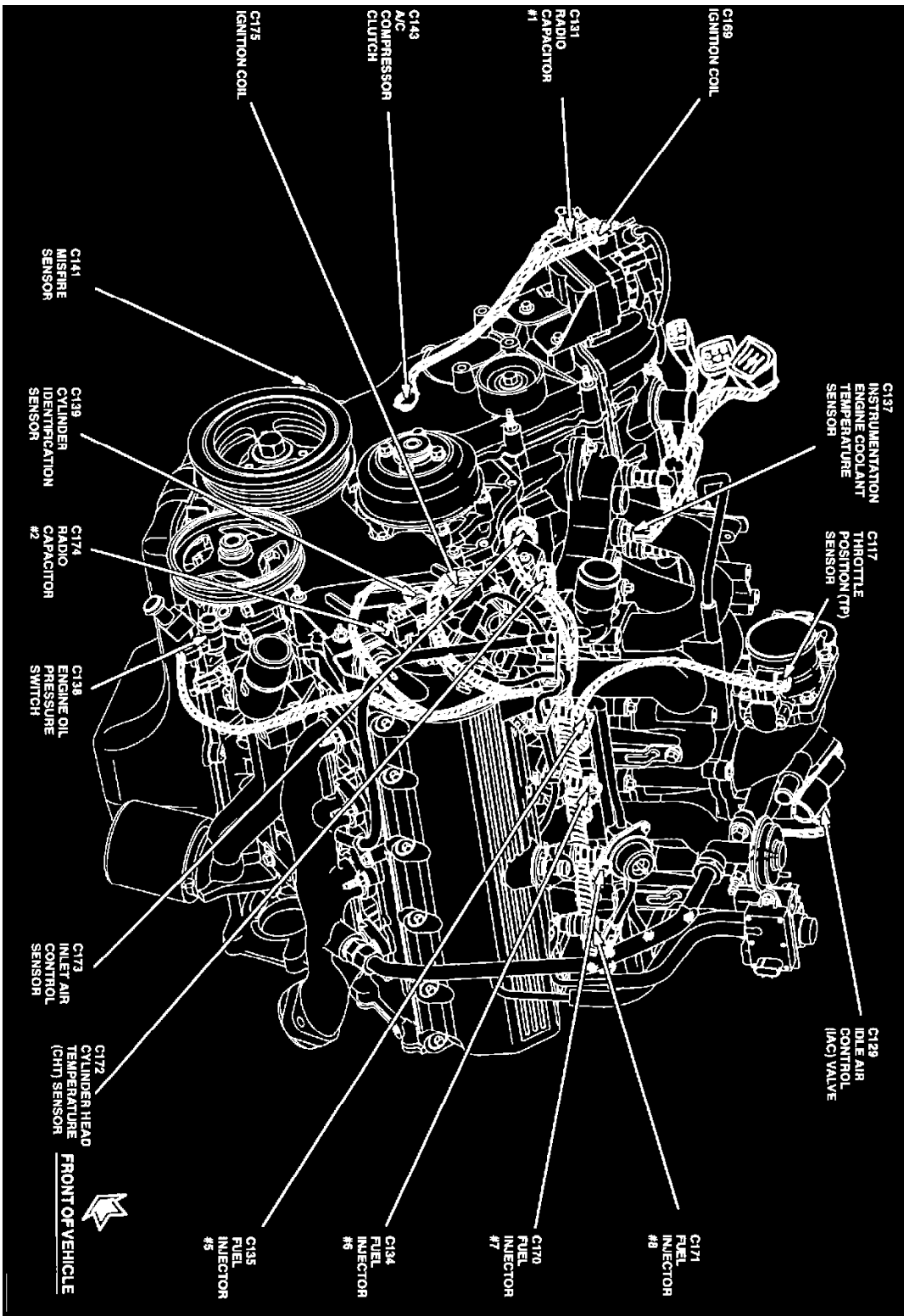


Engine Compartment View

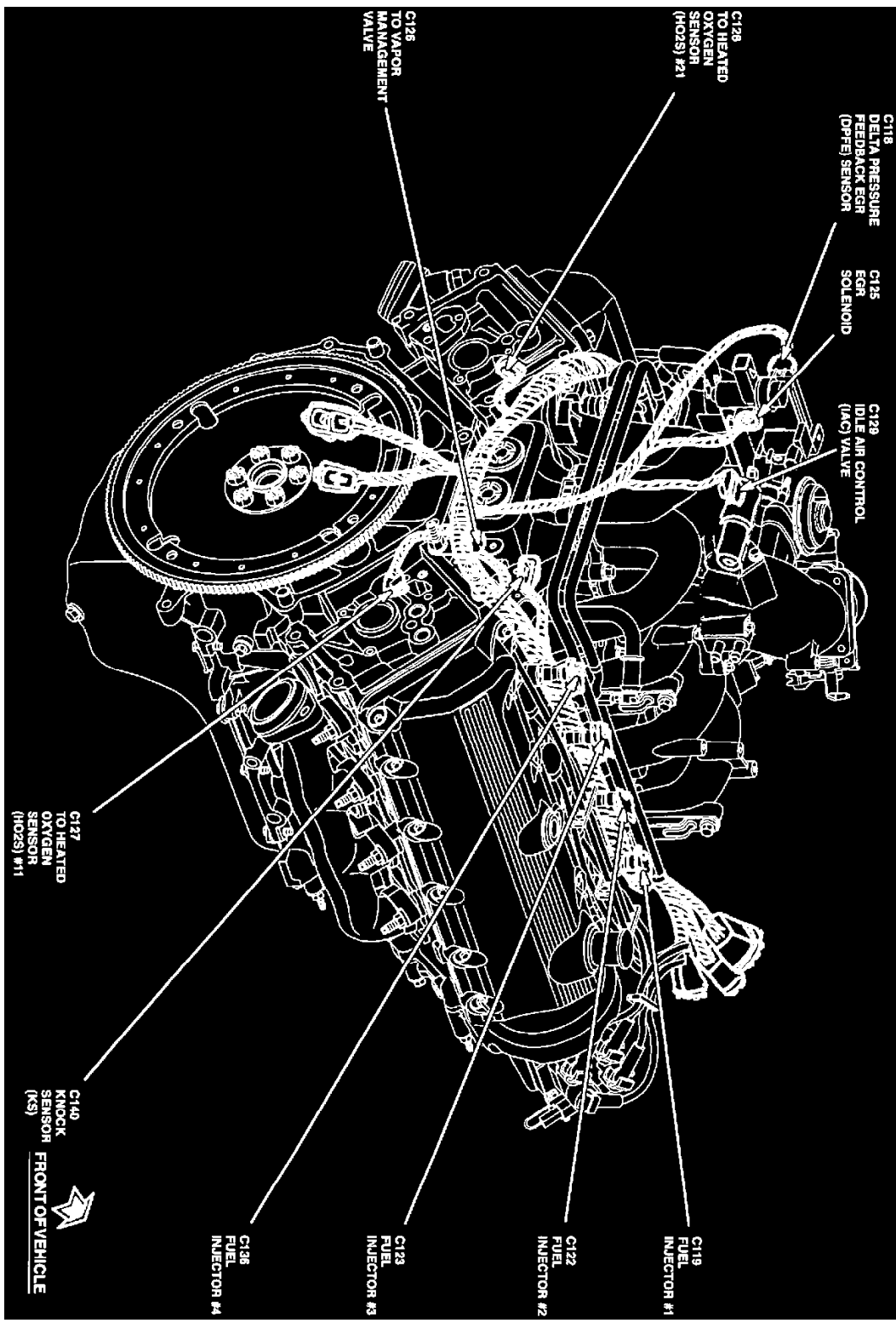


Engine Compartment View

Engine Views

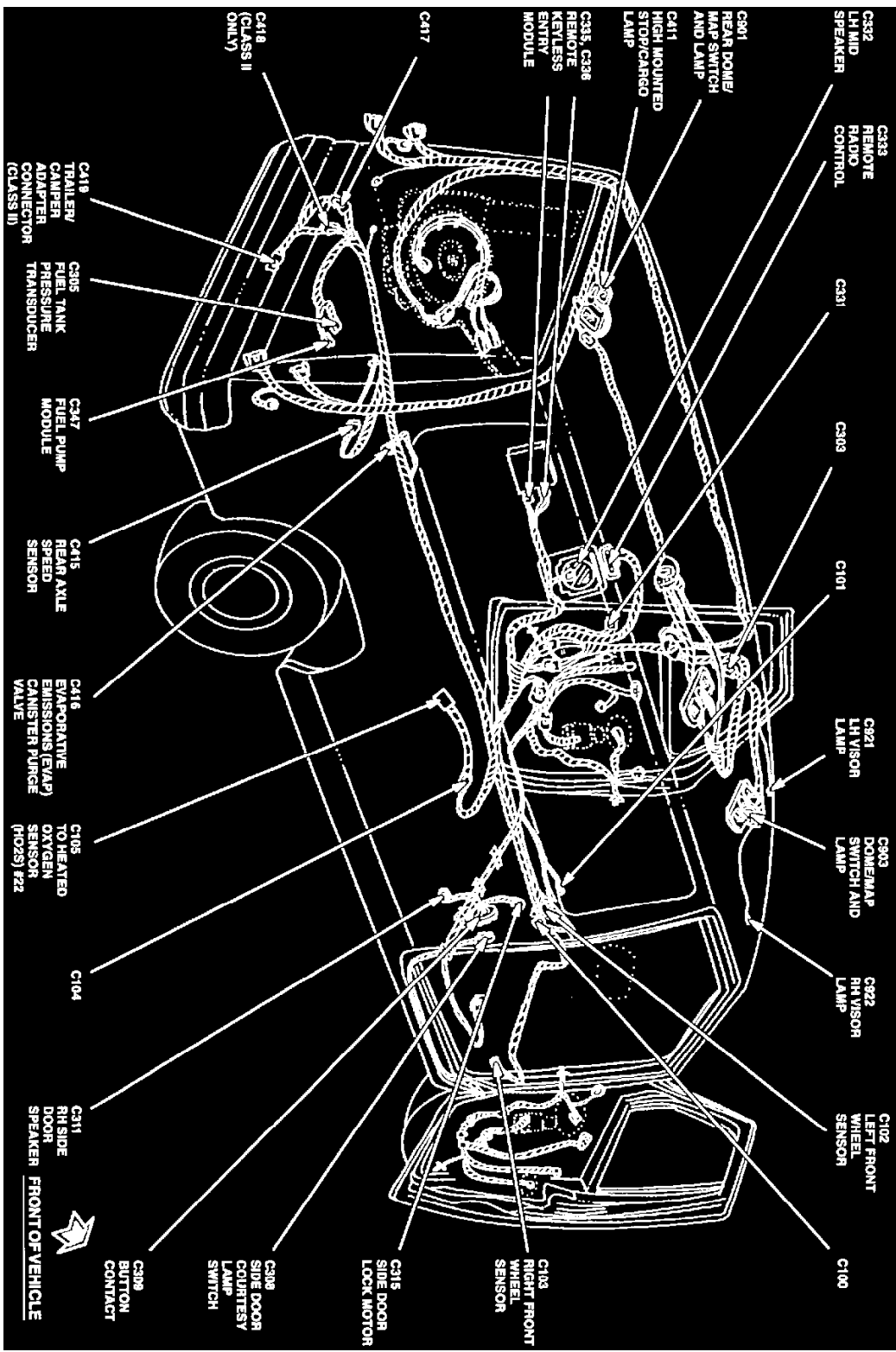


Engine View



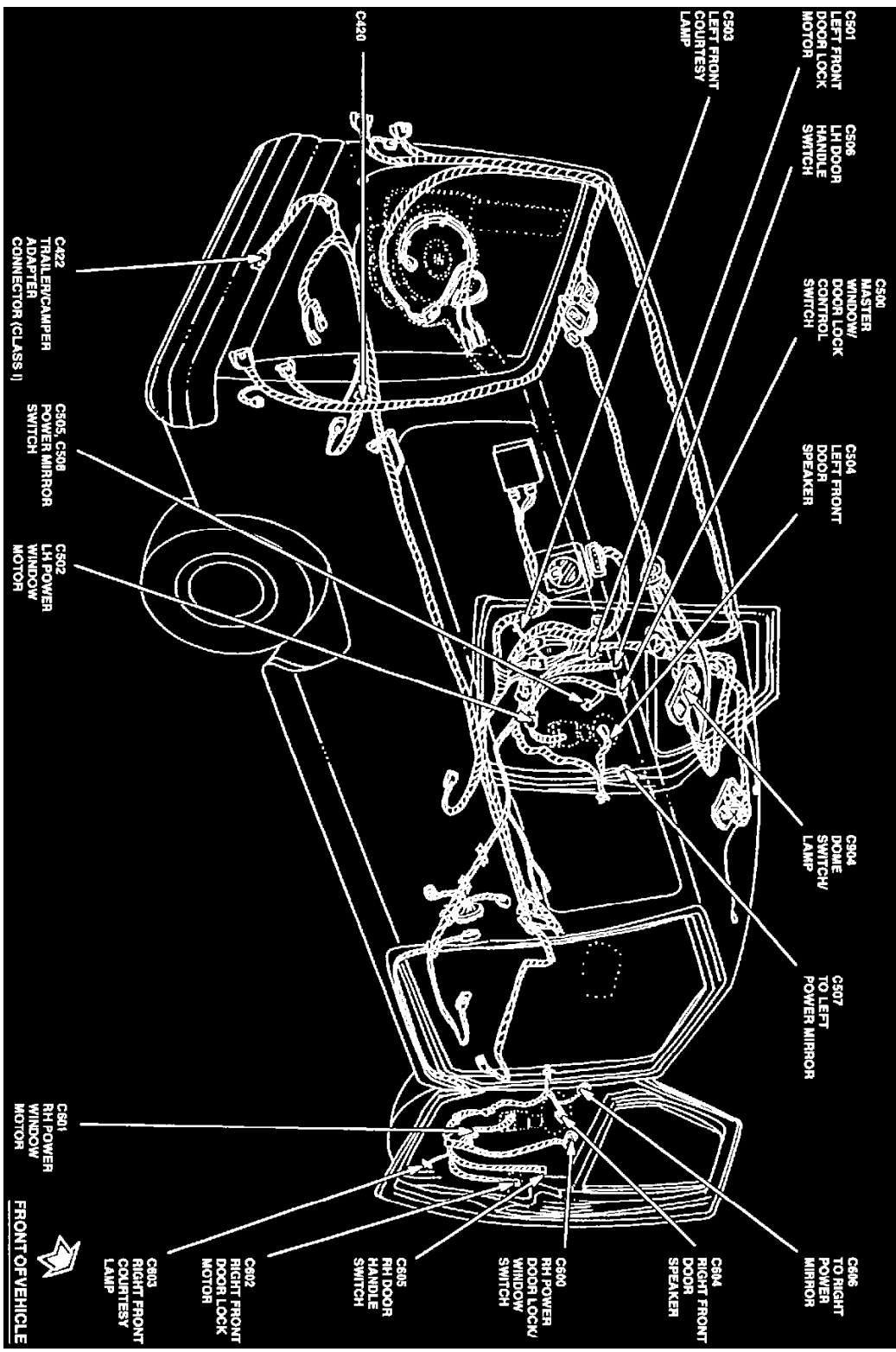
Engine View

Full Body Views



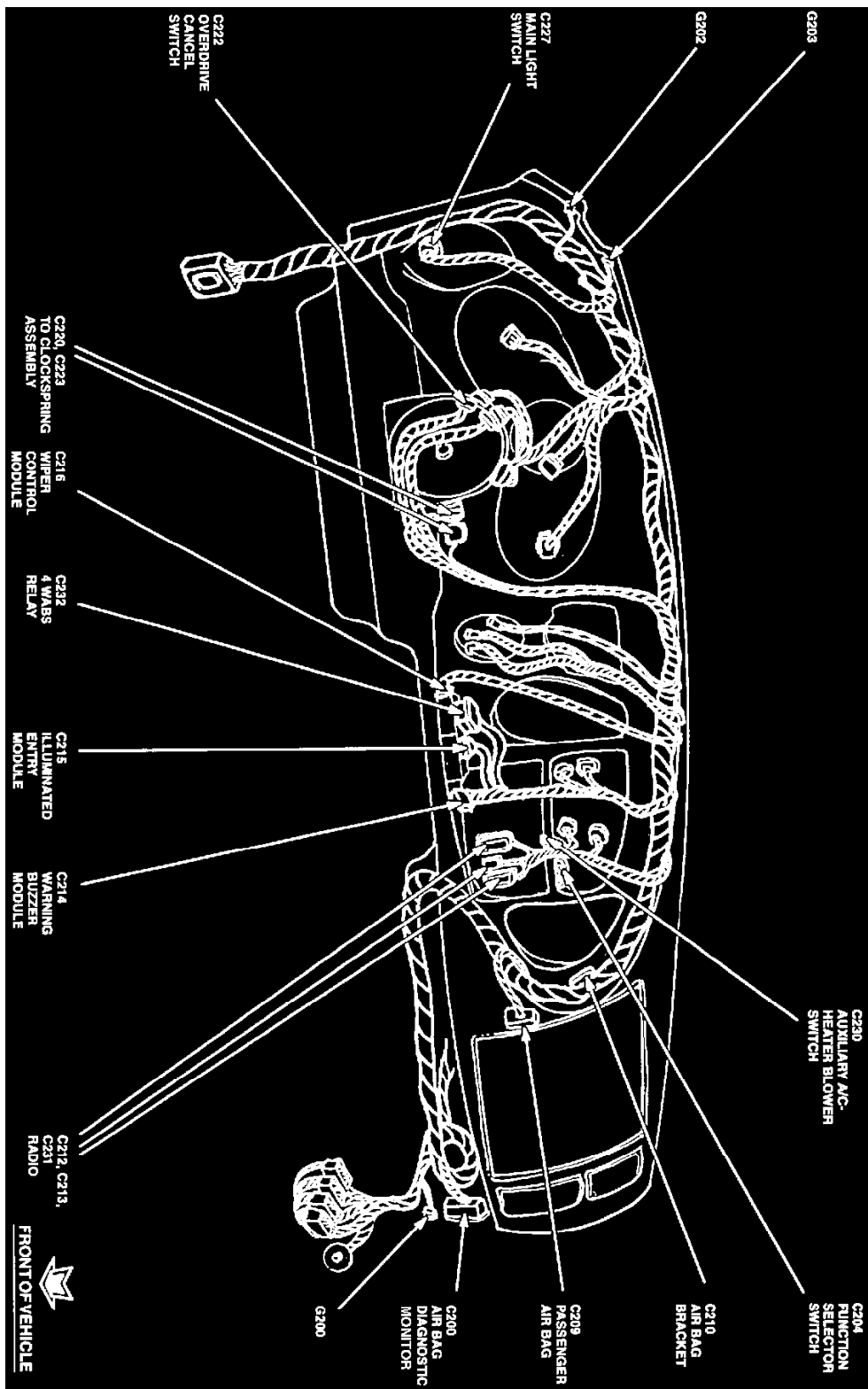
Full Body View



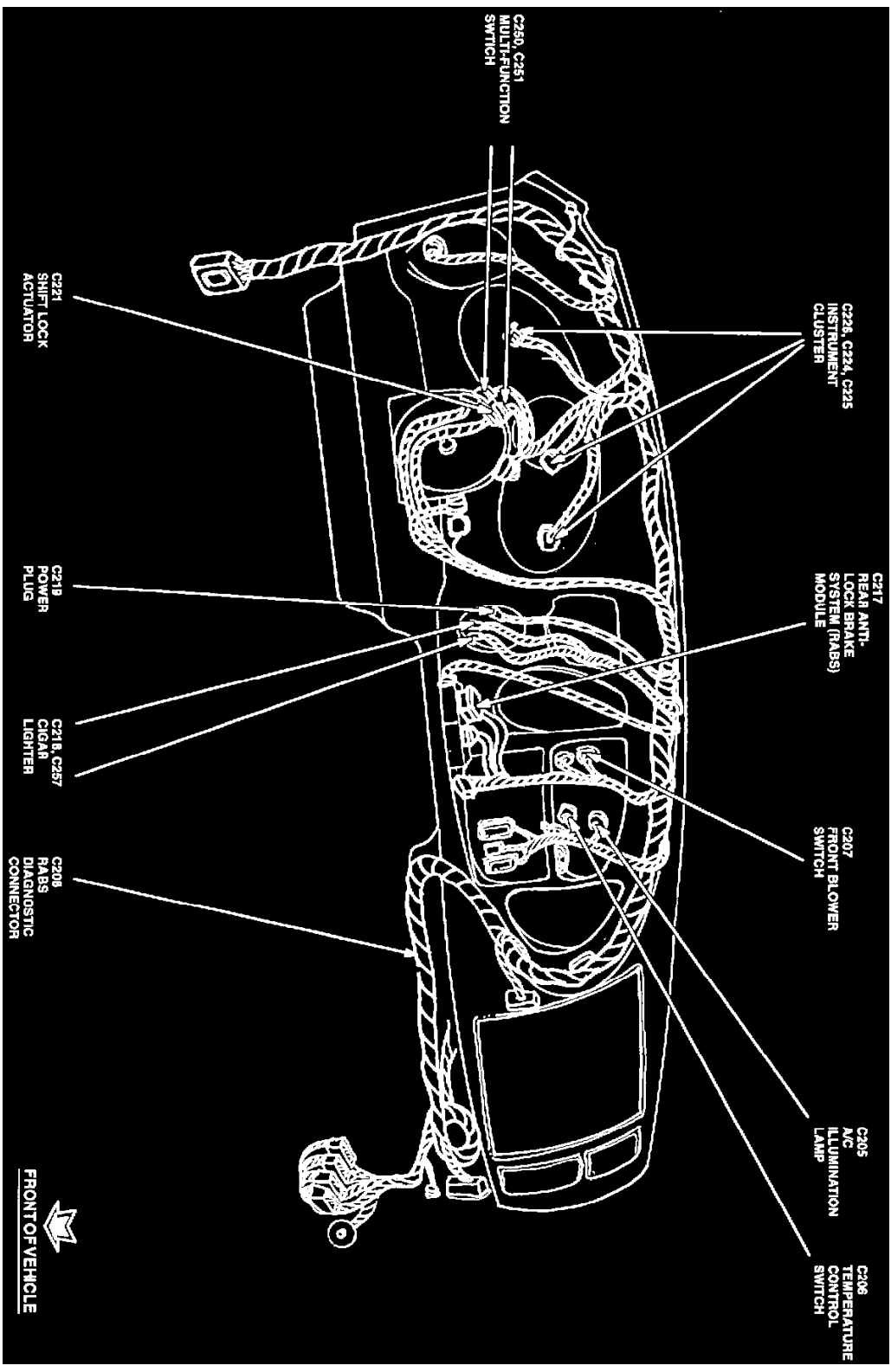


Full Body View

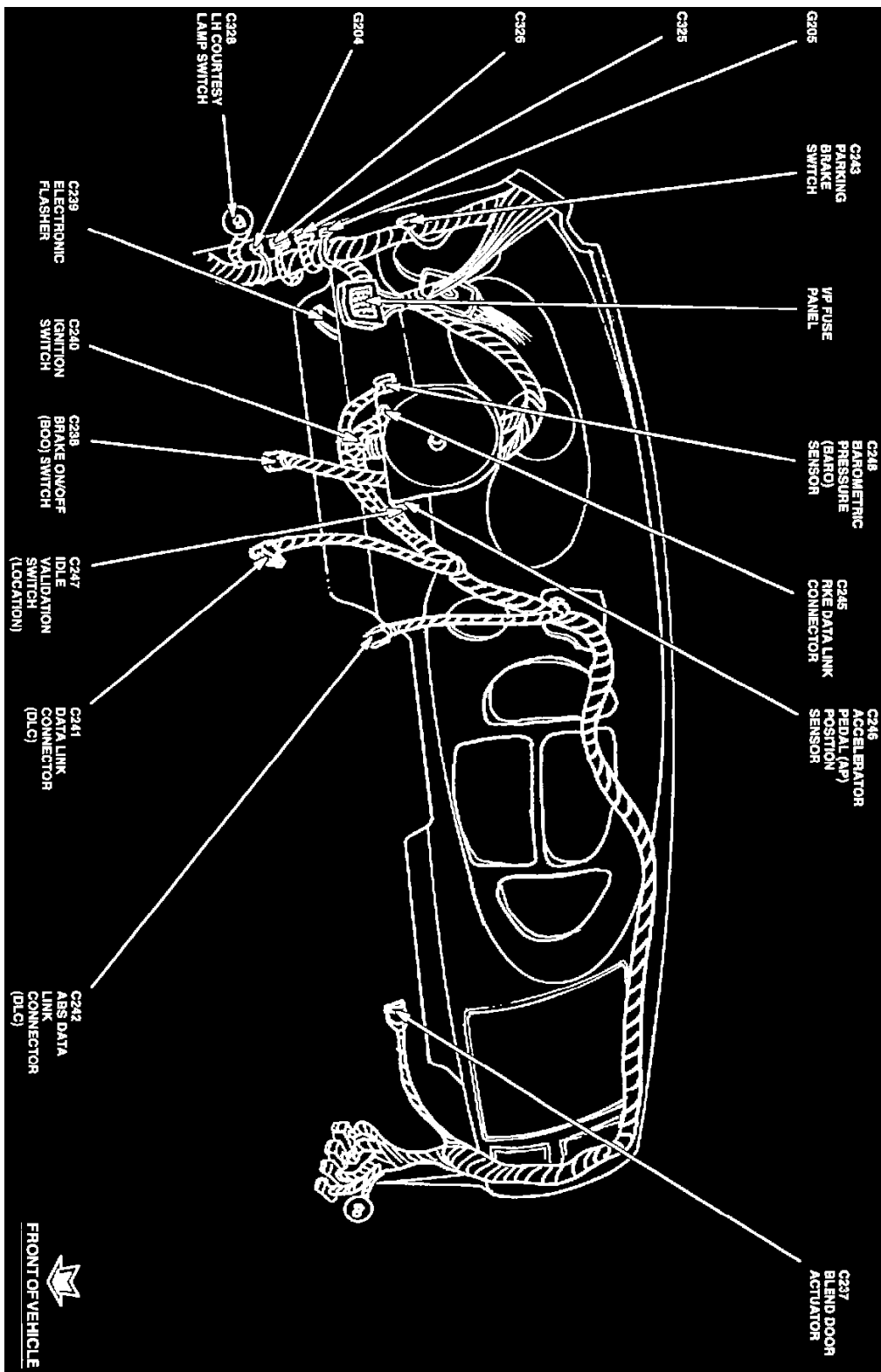
Instrument Panel Views



Instrument Panel View

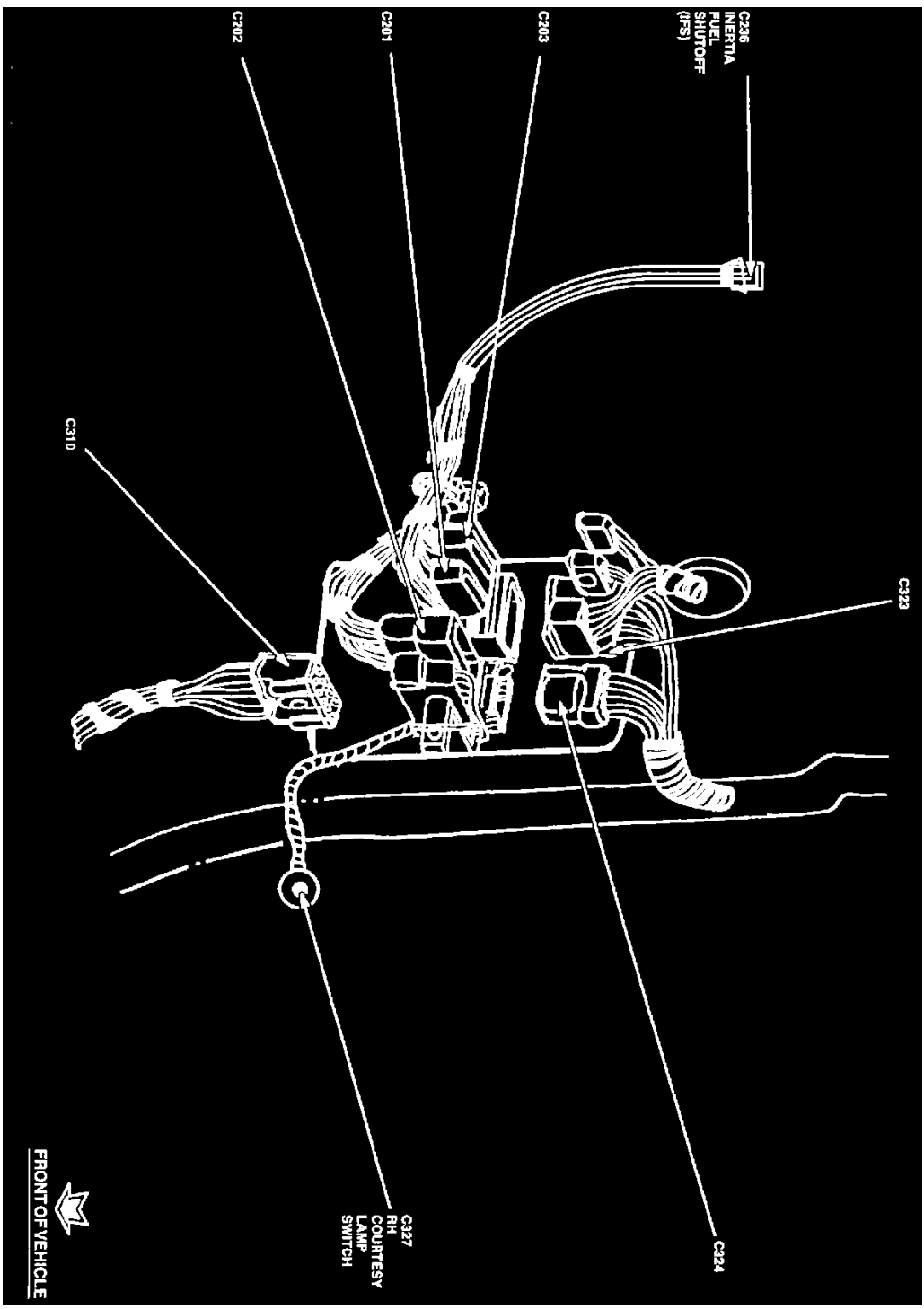


Instrument Panel View



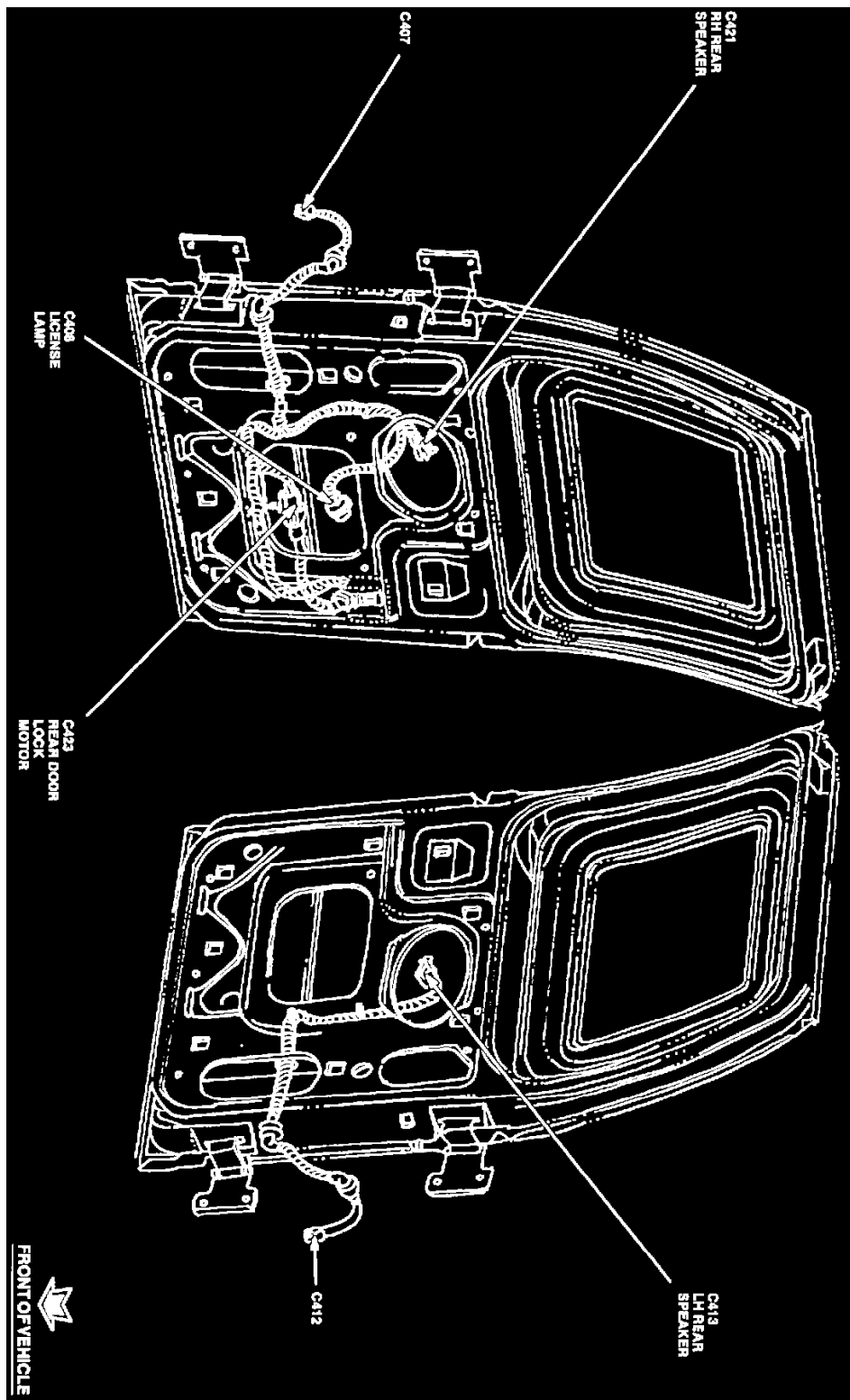
Instrument Panel View

Kick Panels View



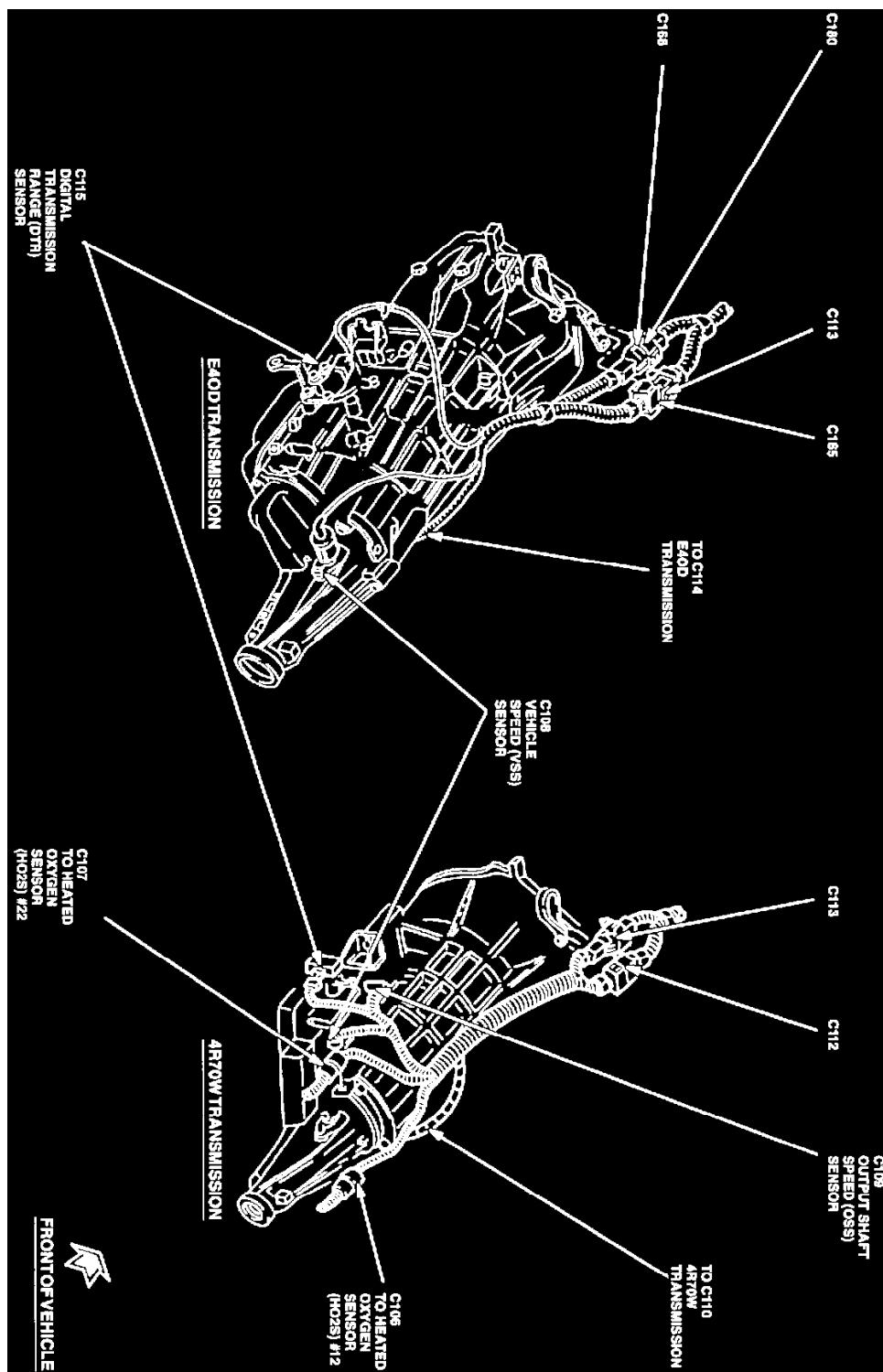
RH Kick Panel View

Rear Doors View



Rear Doors Views

Transmission Views



### Transmission

## Connector Locations

| Connector             | Location   |
|-----------------------|--|
| C100                  | LH rear of engine compartment, below engine access cover       |
| C101                  | Beneath left front of vehicle, near left front wheel sensor    |
| C102                  | Inside left front wheel well, to left front wheel sensor       |
| C103                  | Inside right front wheel well, to right front wheel sensor     |
| C104                  | Beneath left center of vehicle, near transmission              |
| C105 (5.4L)<br>(6.8L) | Beneath center of vehicle, to Heated Oxygen Sensor (HO2S) # 22 |
| C106 (4.2L)<br>(4.6L) | Beneath center of vehicle, to HO2S # 12                        |

|   |   |
|---|---|
| C107 (4.2L)<br>(4.6L)                     | Beneath center of vehicle, to HO2S # 22   |
| C108                                      | Left side of transmission, on vehicle speed sensor                                    |
| C109                                      | Left side of transmission, on output shaft speed sensor                               |
| C110                                      | Under right center of vehicle, on 4R70W transmission                                  |
| C112                                      | Top right side of transmission  |
| C113                                      | <b>(E4OD)</b> Top right side of transmission  |
| C113                                      | <b>(4R70W)</b> Top left side of transmission  |
| C114                                      | Under right center of vehicle, on E4OD transmission                                   |
| C115                                      | <b>(4R70W)</b> Left side of transmission, on digital transmission range sensor        |
| C115                                      | <b>(E4OD)</b> Left side of transmission, on digital transmission range sensor         |
| C116                                      | Near Intake Air Temperature <b>(IAT)</b> sensor                                       |
| C117 (4.2L)<br>(4.6L)<br>(5.4L)<br>(6.8L) | Top of engine, on throttle position sensor  |
| C118 (4.2L)                               | Top right front of engine, on Differential Pressure Feedback EGR <b>(DPFE)</b> sensor |
| C118 (4.6L)                               | Top left rear of engine, on DPFE sensor   |
| C118 (5.4L)                               | Top right of engine, on DPFE sensor   |
| C118 (6.8L)                               | Left rear of engine, on DPFE sensor   |
| C119 (4.2L)<br>(4.6L)<br>(5.4L)<br>(6.8L) | Above right bank of engine, on fuel injector # 1                                      |
| C120                                      | Near A/C pressure cut-out switch  |
| C121                                      | Near A/C pressure cut-out switch  |
| C122 (4.2L)<br>(4.6L)<br>(5.4L)<br>(6.8L) | Above right bank of engine, on fuel injector # 2                                      |
| C123 (4.2L)<br>(4.6L)<br>(5.4L)<br>(6.8L) | Above right bank of engine, on fuel injector # 3                                      |
| C124                                      | Right rear top of engine, on intake manifold runner control                           |
| C125 (4.2L)                               | Above right valve cover, on EGR solenoid  |
| C125 (4.6L)                               | Above left valve cover, on EGR solenoid   |
| C125 (5.4L)<br>(6.8L)                     | Top left rear of engine, on EGR solenoid  |
| C126 (4.2L)<br>(4.6L)<br>(5.4L)<br>(6.8L) | Center rear of engine compartment, on vapor management valve                          |
| C127 (4.2L)<br>(4.6L)<br>(5.4L)<br>(6.8L) | Right rear of engine, to HO2S # 11  |
| C128 (4.2L)<br>(4.6L)<br>(5.4L)<br>(6.8L) | Left rear of engine, to HO2S # 21   |
| C129 (4.2L)                               | Top center of engine, on Idle Air Control <b>(IAC)</b> valve                          |
| C129 (4.6L)                               | Rear of engine, on IAC valve  |
| C129 (5.4L)<br>(6.8L)                     | Top center rear of engine, on IAC valve   |
| C130                                      | Left front of engine, on ignition coil  |
| C131 (4.2L)                               | Rear of ignition coil, on radio capacitor # 1   |
| C131 (4.6L)                               | Near right front ignition coil, on radio capacitor # 1                                |
| C131 (5.4L)<br>(6.8L)                     | Upper left rear of engine, on radio capacitor # 1                                     |
| C132                                      | Right rear of intake, on intake manifold runner position sensor # 2                   |
| C133                                      | Left rear of intake, on intake manifold runner position sensor # 1                    |
| C134 (4.2L)<br>(4.6L)<br>(5.4L)           | Above left bank of engine, on fuel injector # 6                                       |

|             |  |
|-------------|--|
| (6.8L)      |  |
| C135 (4.2L) | Above left bank of engine, on fuel injector #5                                     |
| (4.6L)      |  |
| (5.4L)      |  |
| (6.8L)      |  |
| C136 (4.2L) | Above left bank of engine, on fuel injector #4                                     |
| C136 (4.6L) | Above right bank of engine, on fuel injector #4                                    |
| (5.4L)      |  |
| (6.8L)      |  |
| C137 (4.2L) | On heater outlet elbow, on instrumentation Engine Coolant Temperature (ECT) sensor |
| C137 (4.6L) | Top front of engine, on instrumentation ECT sensor                                 |
| C137 (5.4L) | Top left front of engine, on instrumentation ECT sensor                            |
| (6.8L)      |  |
| C138 (4.2L) | Lower left front of engine, on engine oil pressure switch                          |
| (4.6L)      |  |
| (5.4L)      |  |
| (6.8L)      |  |
| C139 (4.2L) | Front center of engine, on cylinder identification sensor                          |
| C139 (4.6L) | Front of left cylinder head, on cylinder identification sensor                     |
| (5.4L)      |  |
| C139 (6.8L) | Left front of engine, on cylinder identification sensor                            |
| C140 (4.2L) | Right rear side of engine, on Knock Sensor (KS)                                    |
| C140 (4.6L) | Top right hand rear of engine, on KS   |
| C140 (5.4L) | Top right rear of engine, on KS  |
| (6.8L)      |  |
| C141 (4.2L) | Lower right front of engine, on misfire sensor                                     |
| (4.6L)      |  |
| (6.8L)      |  |
| C141 (5.4L) | Lower center front of engine, on misfire sensor                                    |
| C142 (4.2L) | Left front of engine, on ECT sensor  |
| C143 (4.2L) | Left front of engine, on A/C compressor clutch                                     |
| C143 (4.6L) | Lower right front of engine, on A/C compressor clutch                              |
| (5.4L)      |  |
| (6.8L)      |  |
| C144        | On 4 Wheel Anti-Lock Brakes (4WABS) module, on left front frame rail               |
| C145        | On 4 WABS module on left front frame rail  |
| C146        | LH side of engine compartment, on speed control servo/amplifier assembly           |
| C147        | Left rear of engine compartment, on windshield wiper motor                         |
| C148        | Left rear of engine compartment, on modified vehicle power                         |
| C149        | Left side of engine compartment, on dual brake warning switch                      |
| C150        | RH rear of engine compartment, above master cylinder                               |
| C151        | Left rear of engine compartment, on brake pressure switch                          |
| C152        | Left rear of engine compartment, on fuel octane sensor                             |
| C153        | Left side of engine compartment, on brake air pressure regulator valve             |
| C154        | Left rear of engine compartment, on powertrain control module                      |
| C155        | Center of engine compartment, on mass air flow sensor                              |
| C156        | In clean air tube, on IAT sensor   |
| C157        | Right hand front fender, on washer pump  |
| C158        | Right rear of engine compartment, on blower motor resistor                         |
| C159        | Right front of engine compartment, on A/C pressure cut-out switch                  |
| C160        | Right side of engine compartment, on blower motor                                  |
| C161        | RH front of engine compartment, on A/C clutch cycling pressure switch              |
| C162        | RH front of engine compartment, near blower motor resistor                         |
| C163        | RH rear of engine compartment, near cowl   |
| C164        | Left front of engine compartment, on low vacuum warning switch                     |
| C165        | Top right side of transmission   |
| C166        | Left rear of engine compartment, behind engine                                     |
| C167 (7.3L) | Front of engine, on A/C compressor clutch  |
| C168        | Top left side of engine compartment, behind engine                                 |
| C169        | Right front of engine, on ignition coil  |
| C170 (4.6L) | Above left bank of engine, on fuel injector # 7                                    |
| (5.4L)      |  |
| (6.8L)      |  |
| C171 (4.6L) | Above left bank of engine, on fuel injector # 8                                    |
| (5.4L)      |  |

|             |   |
|-------------|---|
| (6.8L)      |   |
| C172 (4.6L) | Top front of left cylinder head, on cylinder head temperature sensor                                |
| (5.4L)      |   |
| (6.8L)      |   |
| C173 (4.6L) | Left hand front of engine, on inlet air control sensor  |
| (5.4L)      |   |
| C174 (4.6L) | Near left front ignition coil, on radio capacitor # 2   |
| C174 (5.4L) | Right rear of engine, on radio capacitor # 2  |
| C174 (6.8L) | Upper right rear of engine, on radio capacitor # 2  |
| C175        | Left front of engine, on ignition coil  |
| C176 (5.4L) | Above left bank of engine, on Coil Per Plug (CPP) #5  |
| C176 (6.8L) | Above right bank of engine, on CPP #5   |
| C177 (5.4L) | Above left bank of engine, on CPP # 6   |
| (6.8L)      |   |
| C178 (5.4L) | Above left bank of engine, on CPP # 7   |
| (6.8L)      |   |
| C179 (5.4L) | Above left bank of engine, on CPP # 8   |
| (6.8L)      |   |
| C180        | Top left side of transmission   |
| C181 (5.4L) | Above right bank of engine, on CPP #4   |
| (6.8L)      |   |
| C182 (5.4L) | Above right bank of engine, on CPP #3   |
| (6.8L)      |   |
| C183 (5.4L) | Above right bank of engine, on CPP # 2  |
| (6.8L)      |   |
| C184 (5.4L) | Above right bank of engine, on CPP # 1  |
| (6.8L)      |   |
| C185        | Left bank of engine, on CPP # 2   |
| C186        | Left side of intake manifold, on fuel injector # 9  |
| C187        | Above left bank of engine, on coil per plug # 9   |
| C188        | Left side of intake manifold, on fuel injector # 10   |
| C189        | Left hand front of vehicle, on left hand aero headlamp  |
| C190        | On left front park/turn lamp  |
| C191        | Front center of engine compartment, on center air bag sensor  |
| C192        | Behind right side of grille, on high pitch horn   |
| C193        | <b>(With DRL)</b> Front of engine compartment, behind grille, on Daytime Running Lamps (DRL) module |
| C193        | <b>(Without DRL)</b> Front of engine compartment, behind grille                                     |
| C194        | Right front of vehicle, on right front park/turn lamp   |
| C195        | On right hand aero headlamp   |
| C196        | Left front of vehicle, on left hand headlamp  |
| C197        | On right hand headlamp  |
| C198        | On generator/voltage regulator  |
| C199        | On generator/voltage regulator  |
| C200        | Below RH side of Instrument Panel (I/P), on air bag diagnostic monitor                              |
| C201        | Behind right kick panel   |
| C202        | Behind right kick panel   |
| C203        | Behind right kick panel   |
| C204        | Center of I/P, on function selector switch  |
| C205        | Center of I/P, on A/C illumination lamp   |
| C206        | Center of I/P, on temperature control switch  |
| C207        | Center of I/P, on front blower switch   |
| C208        | Below RH side of I/P, on Rear Anti-Lock Brake System (RABS) diagnostic connector                    |
| C209        | Behind RH side of I/P, on passenger's air bag   |
| C210        | Behind RH side of I/P, on air bag bracket   |
| C212        | Center of I/P on radio  |
| C213        | Center of I/P on radio  |
| C214        | Behind center of I/P, on warning buzzer module  |
| C215        | Behind center of I/P, on illuminated entry module   |
| C216        | Behind center of I/P, on wiper control module   |
| C217        | Behind center of I/P, on RABS module  |
| C218        | Center of I/P, on cigar lighter   |
| C219        | Behind center of I/P, on power plug   |
| C220        | Top of steering column, on clockspring assembly   |
| C221        | RH side of steering column, on shift lock actuator  |
| C222        | Top of steering column, on overdrive cancel switch  |

|      |   |
|------|---|
| C223 | Top of steering column, on clockspring assembly                                     |
| C224 | LH side of I/P, on instrument cluster   |
| C225 | LH side of I/P, on instrument cluster   |
| C226 | LH side of I/P, on instrument cluster   |
| C227 | LH side of I/P, on main light switch  |
| C228 | At base of steering column, to multi-function switch                                |
| C229 | Left rear of engine compartment, on cowl  |
| C230 | <b>(With A/C)</b> Center of I/P, above radio, on auxiliary A/C-Heater blower switch |
| C230 | <b>(Without A/C)</b> Center of I/P, above radio, on auxiliary heater blower switch  |
| C231 | Center of I/P, on radio   |
| C232 | Behind center of I/P, on 4WABS relay  |
| C233 | Behind left side of I/P to modified vehicle power                                   |
| C234 | Left rear of engine compartment, on cowl  |
| C236 | Under right side of I/P, on Inertia Fuel Shutoff <b>(IFS)</b>                       |
| C237 | Under right side of I/P, on blend door actuator                                     |
| C238 | Behind LH side of I/P, on brake on/off switch                                       |
| C239 | Behind LH side of I/P, on electronic flasher  |
| C240 | RH side of steering column, on ignition switch                                      |
| C241 | Below LH side of I/P, on data link connector (DLC)                                  |
| C242 | Below LH side of I/P, on anti-lock brake system data link connector                 |
| C243 | Near LH kick panel, on parking brake switch   |
| C244 | Below LH side of I/P to electronic brake  |
| C245 | Below LH side of I/P, on Remote Keyless Entry <b>(RKE)</b> data link connector      |
| C246 | Above accelerator pedal, on accelerator pedal position sensor                       |
| C247 | Below LH side of I/P, on idle validation switch                                     |
| C248 | Below LH side of I/P, on barometric pressure sensor                                 |
| C249 | Below LH side of I/P, on auxiliary powertrain control connector                     |
| C250 | Top side of steering column, on multi-function switch                               |
| C251 | Top side of steering column, on multi-function switch                               |
| C252 | On horn switch  |
| C253 | Top of steering column, on speed control switch assembly                            |
| C255 | Top of steering column, on driver's air bag   |
| C257 | Center of I/P on cigar lighter  |
| C300 | Along left "B" pillar, near roof  |
| C301 | Along left "B" pillar, near seat belt retractor                                     |
| C302 | Along left "B" pillar, near seat belt retractor                                     |
| C303 | Along left "B" pillar, near roof  |
| C305 | Under rear center of vehicle, on fuel tank pressure transducer                      |
| C306 | Beneath left center of vehicle to in-transit fuel pump module                       |
| C308 | Behind right "B" pillar, on side door courtesy lamp switch                          |
| C309 | Behind right "B" pillar, on button contact  |
| C310 | Behind right kick panel, near RH courtesy lamp switch                               |
| C311 | Front center of side door, on RH side door speaker                                  |
| C312 | Behind right "B" pillar, on side door courtesy lamp switch                          |
| C313 | Along right "B" pillar  |
| C314 | Along right "B" pillar  |
| C315 | In side door, on side door lock motor   |
| C323 | Behind RH kick panel, near IFS  |
| C324 | Behind RH kick panel, near IFS  |
| C325 | Near LH courtesy lamp switch  |
| C326 | Near LH courtesy lamp switch  |
| C327 | In right front door jamb, on right hand courtesy lamp switch                        |
| C328 | In left front door jamb, on left hand courtesy lamp switch                          |
| C329 | Behind left "B" pillar, near floor  |
| C330 | Near left mid speaker, on memory lock module  |
| C331 | Behind left "B" pillar, near seat belt retractor                                    |
| C332 | Behind left "B" pillar, on left hand mid speaker                                    |
| C333 | Behind left "B" pillar, on remote radio control                                     |
| C334 | Behind left "B" pillar, near remote radio control                                   |
| C335 | In side panel behind driver's door, on RKE module                                   |
| C336 | In side panel behind driver's door, on RKE module                                   |
| C337 | Below left side of driver's seat, on driver's seat regulator control switch         |
| C338 | Underside of driver's seat, on driver's seat motor assembly                         |
| C339 | Under driver's seat   |
| C340 | Under driver's seat   |

|       |  |
|-------|--|
| C341  | Right side of driver's seat, on driver's seat belt                   |
| C342  | Right side of passenger's seat, on passenger's seat belt             |
| C343  | Under right front seat, to passenger's seat belt                     |
| C344  | Inside left frame rail, on in-transit fuel pump module               |
| C345  | Behind left "B" pillar, near C329                                    |
| C347  | Below center rear of vehicle, on fuel pump module                    |
| C400  | In right rear corner of vehicle, on right hand backup lamp           |
| C401  | In right rear corner of vehicle, on RH stop/park/turn lamp           |
| C402  | Left rear cargo area, near auxiliary blower motor                    |
| C403  | Left rear cargo area, on auxiliary blower motor relay                |
| C4u4  | Left rear cargo area, on auxiliary high blower motor relay           |
| C405  | Left rear cargo area, on auxiliary blower resistor                   |
| C406  | In left rear cargo area, on auxiliary blower motor                   |
| C407  | In right rear of vehicle, near RH backup lamp                        |
| C408  | In center of right rear door, on license lamp                        |
| C409  | In left rear corner of vehicle, on LH backup lamp                    |
| C410  | In left rear corner of vehicle, on left stop/park/turn lamp          |
| C411  | Rear center of roof, on high mounted stop/cargo lamp                 |
| C412  | In left rear corner of vehicle, near left backup lamp                |
| C413  | Top center of left rear door, on left hand rear speaker              |
| C414  | In right rear door jamb, on rear courtesy lamp switch                |
| C415  | Beneath center rear of vehicle, on rear axle speed sensor            |
| C416  | Beneath left rear of vehicle, on evaporative canister purge valve    |
| C417  | Left rear of vehicle, to trailer tow wiring                          |
| C418  | Left rear of vehicle, to trailer tow wiring                          |
| C419  | Left rear of vehicle, to trailer/camper adapter connector            |
| C420  | Below left rear of vehicle, near rear axle                           |
| C421  | Center of RH rear door, on right hand rear speaker                   |
| C422  | Center rear of vehicle, on trailer/camper adapter connector          |
| C423  | In right rear door, on rear door lock motor                          |
| C500  | Center of left front door, on master window/door lock control switch |
| C501  | Rear of left front door, on left front door lock motor               |
| C502  | Lower center of left front door, on left hand power window motor     |
| C503  | Lower rear of left front door, on left front courtesy lamp           |
| C504  | Top front of left front door, on left front door speaker             |
| C505  | Center of left front door, on power mirror switch                    |
| C506  | In left front door, on LH door handle switch                         |
| C507  | Front of left front door, to left power mirror                       |
| C508  | Center of left front door, on power mirror switch                    |
| C600  | Center of right front door, on RH power door lock/window switch      |
| C601  | Lower center of right front door, on RH power window motor           |
| C602  | Top rear of right front door, on right front door lock motor         |
| C603  | Lower rear of right front door, on right front courtesy lamp         |
| C604  | Front center of right front door, on right front door speaker        |
| C605  | Top rear of right front door, on RH door handle switch               |
| C606  | Top front of right front door, to right power mirror                 |
| C900  | Rear of vehicle roof, on cargo lamp                                  |
| C901  | Rear of vehicle roof, on rear dome/map switch and lamp               |
| C903  | In front headliner, to dome/map switch and lamp                      |
| C904  | Middle of rear headliner, on dome switch/lamp                        |
| C916  | Center of roof, on rear auxiliary blower switch                      |
| C917  | In rear auxiliary blower switch, on auxiliary A/C illumination lamp  |
| C921  | LH side of front headliner, to left hand visor lamp                  |
| C922  | RH side of front headliner, to right hand visor lamp                 |
| C1000 | Right top of engine, to fuel injectors/glow plugs (# 1, # 3)         |
| C1001 | Right top of engine, to fuel injectors/glow plugs (# 5, # 7)         |
| C1002 | Left top of engine, to fuel injectors/glow plugs (# 2, # 4)          |
| C1003 | Left top of engine, to fuel injectors/glow plugs (# 6, # 8)          |
| C1004 | Lower left front of engine, on ECT sender                            |
| C1005 | Right top side of engine   |
| C1006 | Center of engine, on injection pressure regulator                    |
| C1007 | Top center of engine, on engine oil temperature sensor               |
| C1008 | Top right center of engine, on exhaust back pressure sensor          |
| C1009 | Top center of engine, on injection control pressure sensor           |
| C1010 | Front center of engine, on camshaft position sensor                  |

|              |  |
|--------------|--|
| <b>C1011</b> | Left rear top of engine, on exhaust pressure regulator                 |
| <b>C1018</b> | Top center of engine, on fuel line heater                              |
| <b>C1155</b> | Right side of engine compartment, on manifold absolute pressure sensor |
| <b>C1157</b> | Left front side of engine compartment, on injector driver module       |
| <b>C1949</b> | Top rear of engine, near T/O to C168                                   |
| <b>C1997</b> | Top right side of engine, on plugged fuel filter vacuum switch         |
| <b>C1998</b> | Top left center of engine, on water in fuel sensor                     |
| <b>C1999</b> | Top right center of engine, on fuel water switch                       |

## Ground Locations

**Ground** Location

|             |   |
|-------------|---|
| <b>G100</b> | Left front of engine compartment, at LH upper radiator support  |
| <b>G101</b> | Right front of engine compartment, at RH upper radiator support |
| <b>G102</b> | Left front of engine compartment, at front radiator support     |
| <b>G103</b> | Right front of engine compartment, at front radiator support    |
| <b>G107</b> | Right side of engine, near starter motor                        |
| <b>G199</b> | Under right rear of engine compartment, along frame rail        |
| <b>G200</b> | Under RH side of Instrument Panel (I/P)                         |
| <b>G202</b> | Behind upper LH side of I/P, near cowl                          |
| <b>G203</b> | Behind upper LH side of I/P near cowl                           |
| <b>G204</b> | Below left side of I/P, near kick panel                         |
| <b>G205</b> | Below left side of I/P near kick panel                          |
| <b>G300</b> | Under right side of vehicle, along frame rail                   |
| <b>G400</b> | Left rear corner of vehicle, near left rear door                |
| <b>G401</b> | Under left rear of vehicle, along frame rail                    |

## Splice Locations

**Splice** Location

|             |   |
|-------------|---|
| <b>S100</b> | Transmission control harness, near Take Out (T/O) to C115         |
| <b>S102</b> | Transmission control harness, near T/O to C114                    |
| <b>S103</b> | Fuel charge harness, near T/O to C117                             |
| <b>S104</b> | Fuel charge harness, near T/O to C120                             |
| <b>S105</b> | Fuel charge harness, near T/O to C123                             |
| <b>S106</b> | Fuel charge harness, near T/O to C122                             |
| <b>S107</b> | Fuel charge harness, near T/O to C134                             |
| <b>S108</b> | Engine control harness, near T/O to engine compartment fuse panel |
| <b>S109</b> | Engine control harness, near T/O to engine compartment fuse panel |
| <b>S110</b> | Engine control harness, near T/O to engine compartment fuse panel |
| <b>S111</b> | Engine control harness, near T/O to engine compartment fuse panel |
| <b>S112</b> | Engine control harness, near T/O to engine compartment fuse panel |
| <b>S113</b> | Engine control harness, near T/O to engine compartment fuse panel |
| <b>S114</b> | Engine control harness, near T/O to engine compartment fuse panel |
| <b>S115</b> | Engine control harness, near T/O to engine compartment fuse panel |
| <b>S116</b> | Engine control harness, near T/O to engine compartment fuse panel |
| <b>S117</b> | Engine control harness, near T/O to C100                          |
| <b>S118</b> | Engine control harness, near T/O to C100                          |
| <b>S119</b> | Engine control harness, near T/O to C100                          |
| <b>S120</b> | Engine control harness, near T/O to C234                          |
| <b>S121</b> | Engine control harness, near T/O to C229                          |
| <b>S122</b> | Engine control harness, near T/O to C229                          |
| <b>S124</b> | Engine control harness, near T/O to C229                          |
| <b>S126</b> | Engine control harness, near T/O to C234                          |
| <b>S127</b> | Engine control harness, near T/O to C147                          |
| <b>S128</b> | Engine control harness, near T/O to C147                          |
| <b>S129</b> | Engine control harness, near T/O to C234                          |
| <b>S130</b> | Engine control harness, in T/O to C234                            |
| <b>S131</b> | Engine control harness, near T/O to C234                          |
| <b>S132</b> | Engine control harness, near T/O to C150                          |
| <b>S133</b> | Engine control harness, near T/O to C152                          |
| <b>S134</b> | Engine control harness, near T/O to C152                          |
| <b>S135</b> | Engine control harness, near T/O to C152                          |
| <b>S136</b> | Engine control harness, near T/O to C152                          |

|      |  |
|------|--|
| S137 | Engine control harness, in T/O to C154                 |
| S138 | Engine control harness, near T/O to C152               |
| S139 | Engine control harness, near T/O to C152               |
| S140 | Engine control harness, near T/O to C152               |
| S141 | Engine control harness, near T/O to C155               |
| S142 | Engine control harness, near T/O to C155               |
| S143 | Engine control harness, near T/O to C159               |
| S144 | Engine control harness, near T/O to C159               |
| S145 | Engine control harness, near T/O to C229               |
| S146 | Engine control harness, near T/O to C229               |
| S147 | Engine control harness, near T/O to C152               |
| S148 | Engine control harness, near T/O to C121               |
| S149 | Engine control harness, near T/O to C123               |
| S150 | Engine control harness, near T/O to C122               |
| S151 | Engine control harness, near T/O to C136               |
| S152 | Engine control harness, near T/O to C171               |
| S153 | Engine control harness, near T/O to C129               |
| S154 | Engine control harness, near T/O to C170               |
| S155 | Engine control harness, near T/O to C134               |
| S156 | Engine control harness, near T/O to C177               |
| S157 | Engine control harness, near T/O to C187               |
| S158 | Engine control harness, near T/O to C131               |
| S159 | Engine control harness, near T/O to C113               |
| S160 | Engine control harness, near T/O to C183               |
| S161 | Engine control harness, near T/O to C119               |
| S162 | Engine control harness, near T/O to C134               |
| S163 | Dash to headlamp harness, near T/O to C190             |
| S164 | Dash to headlamp harness, near T/O to C193             |
| S165 | Dash to headlamp harness, near T/O to G103             |
| S166 | Dash to headlamp harness, near T/O to C192             |
| S167 | Engine control harness, in T/O to C166                 |
| S168 | Engine control harness, in T/O to C116                 |
| S169 | Engine control harness, in the T/O to C154             |
| S170 | Engine control harness, in T/O to C116                 |
| S171 | Fuel charge harness, in T/O to C116                    |
| S172 | Fuel charge harness, in T/O to C140                    |
| S173 | Fuel charge harness                                    |
| S174 | Engine control harness, near T/O to C158               |
| S179 | Engine control harness, near T/O to C149               |
| S200 | Main wiring harness, near T/O to C210                  |
| S201 | Main wiring harness, near T/O to C201                  |
| S202 | Main wiring harness, near T/O to C212                  |
| S203 | Main wiring harness, near T/O to C212                  |
| S204 | Main wiring harness, near T/O to C212                  |
| S205 | Main wiring harness, near T/O to C223                  |
| S206 | Main wiring harness, near T/O to C223                  |
| S207 | Main wiring harness, near T/O to C223                  |
| S208 | Main wiring harness, near T/O to C223                  |
| S209 | Main wiring harness, near T/O to C223                  |
| S210 | Main wiring harness, near T/O to C233                  |
| S211 | Main wiring harness, near T/O to C225                  |
| S212 | Main wiring harness, near T/O to C225                  |
| S213 | Main wiring harness, near T/O to C225                  |
| S214 | Main wiring harness, in T/O to C228                    |
| S215 | Main wiring harness, near T/O to C233                  |
| S216 | Main wiring harness, near T/O to C233                  |
| S217 | Main wiring harness, near T/O to C233                  |
| S218 | Main wiring harness, near T/O to C233                  |
| S219 | Main wiring harness, in T/O to C227                    |
| S220 | Main wiring harness, near T/O to C223                  |
| S221 | Lower Instrument Panel (I/P) harness, near T/O to C238 |
| S222 | Lower I/P harness, near T/O to C238                    |
| S223 | Lower I/P harness, near T/O to C238                    |
| S224 | Lower I/P harness, near T/O to C234                    |
| S225 | Lower I/P harness, near T/O to C234                    |

|      |  |
|------|--|
| S226 | Lower I/P harness, near T/O to C234              |
| S227 | Lower I/P harness, near T/O to C234              |
| S228 | Lower I/P harness, in T/O to C241                |
| S229 | Lower I/P harness, in T/O to C241                |
| S230 | Lower I/P harness, near T/O to C245              |
| S231 | Lower I/P harness, near T/O to G204              |
| S232 | Lower I/P harness, near T/O to G204              |
| S233 | Lower I/P harness, near T/O to G204              |
| S234 | Lower I/P harness, near T/O to C301              |
| S235 | Lower I/P harness, near T/O to C329              |
| S236 | Lower I/P harness, near T/O to C246              |
| S237 | Lower I/P harness, near T/O to C245              |
| S238 | Lower I/P harness, near T/O to G204              |
| S239 | Lower I/P harness, near T/O to G204              |
| S240 | Lower I/P harness, near T/O to C237              |
| S241 | Lower I/P harness, near T/O to C237              |
| S242 | Lower I/P harness, near T/O to C245              |
| S243 | Lower I/P harness, near T/O to C331              |
| S244 | Lower I/P harness, near T/O to C331              |
| S245 | Lower I/P harness, in T/O to I/P fuse panel      |
| S246 | Lower I/P harness, near T/O to C329              |
| S247 | Lower I/P harness, near T/O to C331              |
| S248 | Lower I/P harness, near T/O to C331              |
| S249 | Lower I/P harness, near T/O to C331              |
| S250 | Lower I/P harness, near T/O to C345              |
| S251 | Lower I/P harness, near T/O to G204              |
| S252 | Lower I/P harness, near T/O to G204              |
| S253 | Lower I/P harness, near T/O to G204              |
| S254 | Lower I/P harness, near T/O to G204              |
| S255 | Lower I/P harness, near T/O to C329              |
| S256 | Lower I/P harness, near T/O to C334              |
| S257 | Lower I/P harness, near T/O to C329              |
| S258 | Lower I/P harness, near T/O to C331              |
| S259 | Lower I/P harness, near T/O to C331              |
| S260 | Lower I/P harness, near T/O to C332              |
| S261 | Lower I/P harness, near T/O to C245              |
| S262 | Lower I/P harness, near T/O to C245              |
| S263 | Lower I/P harness, near T/O to C245              |
| S264 | Lower I/P harness, near T/O to C237              |
| S265 | Lower I/P harness, near T/O to C237              |
| S266 | Lower I/P harness, near T/O to C238              |
| S267 | Main wiring harness, near T/O to G200            |
| S300 | Rear harness, near T/O to C302                   |
| S301 | Rear harness, near T/O to C302                   |
| S302 | Rear harness, near T/O to C302                   |
| S303 | Rear harness, near T/O to C300                   |
| S304 | Rear harness, near T/O to C300                   |
| S305 | Rear harness, near T/O to C300                   |
| S306 | Rear harness, near T/O to C402                   |
| S307 | Fuel tank harness, near T/O to C347              |
| S308 | Fuel tank harness, near T/O to C104              |
| S309 | Fuel tank harness, near T/O to C104              |
| S310 | Fuel tank harness, near T/O to C101              |
| S311 | Interior harness, in T/O to C300                 |
| S312 | Interior harness, in T/O to C300                 |
| S313 | Interior harness, in T/O to C319                 |
| S314 | Interior lamp harness, near T/O to C318          |
| S315 | Seat control jumper harness, near T/O to C338    |
| S400 | Auxiliary blower motor harness, near T/O to C403 |
| S401 | Auxiliary blower motor harness, in T/O to C402   |
| S402 | Rear harness, near T/O to C412                   |
| S403 | Rear harness, near T/O to C411                   |
| S404 | Rear harness, near T/O to C411                   |
| S405 | Rear harness, near T/O to C411                   |
| S406 | Rear harness, near T/O to C407                   |

|              |  |
|--------------|--|
| <b>S500</b>  | Left front door, near T/O to window motor      |
| <b>S501</b>  | Left front door harness, in T/O to C500        |
| <b>S502</b>  | Left front door harness, in T/O to C501        |
| <b>S503</b>  | Left front door harness, near T/O to C501      |
| <b>S504</b>  | Left front door, near T/O to C507              |
| <b>S505</b>  | Left front door, near T/O to C505              |
| <b>S600</b>  | Right front door harness, near T/O to C601     |
| <b>S1007</b> | Transmission control harness, near T/O to C115 |