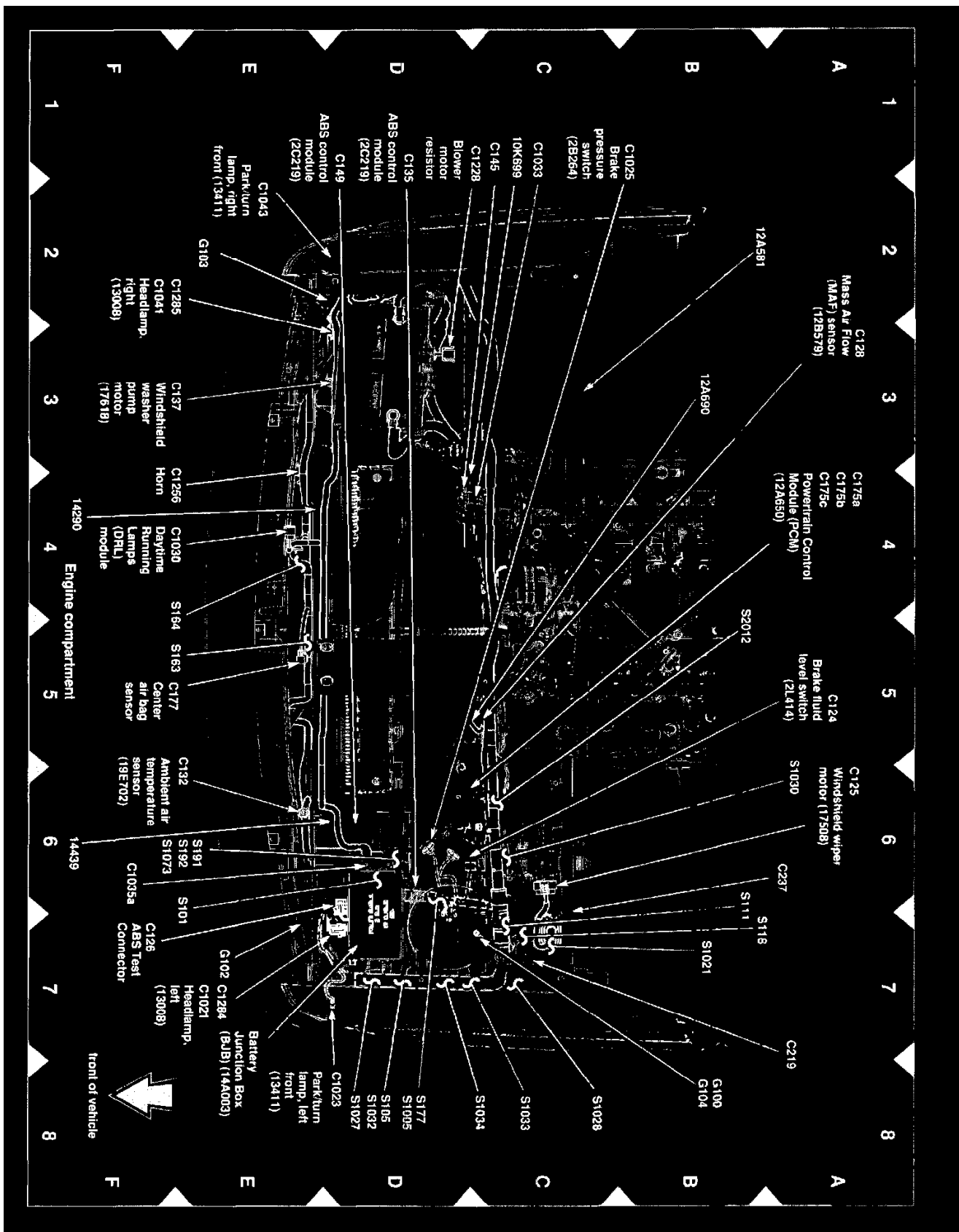


Vehicle: Ground Locations

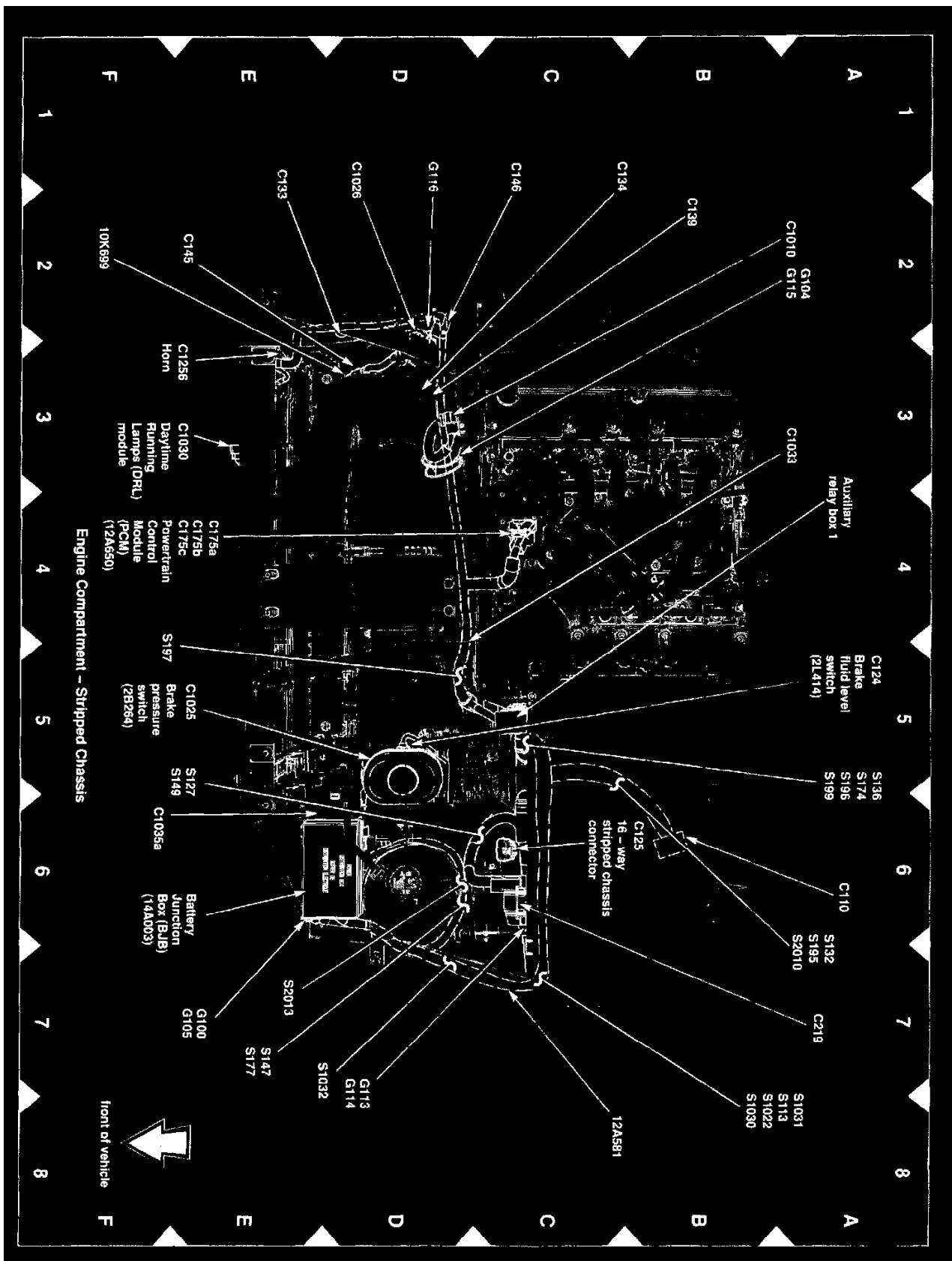
Ground Location Index

PLEASE NOTE: If a link on the Ground Location Index to a View is not provided, that means that the Ground and/or View in question does NOT apply to the vehicle model selected.

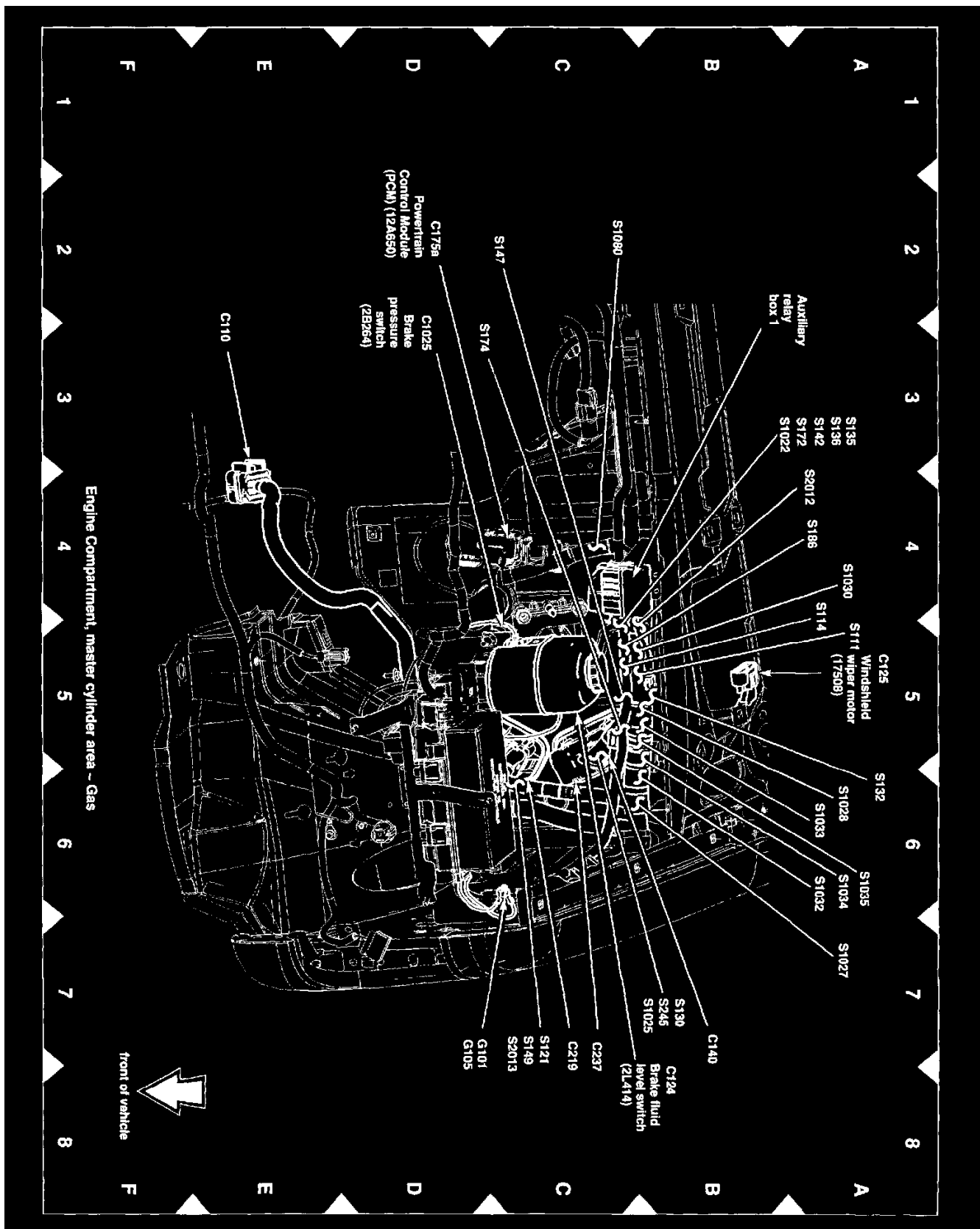
Ground Points	Location	View 151-*/coordinates
G100	engine compartment, LH side, rear - diesel	5 - D7
G100	engine compartment, LH side, front - stripped chassis	3 - E7
G100	engine compartment, LH side, rear	1 - B8
G101	engine compartment, LH side, rear - diesel	5 - D7
G101	engine compartment, LH side, front	4 - D7
G102	Engine compartment, left front	1 - E7
G102	Engine compartment, left front - diesel	2 - E6
G103	engine compartment, RH side, front	1 - E2
G104	engine compartment, RH side, top - stripped chassis	3 - A2
G104	engine compartment, LH side, rear	1 - B8
G105	engine compartment, LH side, rear - diesel	5 - D7
G105	engine compartment, LH side, front	4 - D7
G105	engine compartment, LH side, front - stripped chassis	3 - E7
G106	engine compartment, RH side, rear - diesel	35 - D2
G107	engine compartment, RH side, rear	35 - D2
G108	Engine - Left Side, Front - diesel	14 - D8
G109	engine compartment, RH side, front	7 - A4
G110	frame rail, RH side	40 - C3
G110	frame rail, RH side - diesel	40 - E1
G111	Frame rail, RH side - diesel	2 - B3
G113	engine compartment, rear, LH side - stripped chassis	3 - D7
G114	engine compartment, RH side, top - stripped chassis	3 - D7
G115	engine compartment, RH side, top - stripped chassis	3 - A2
G116	engine compartment, RH side - stripped chassis	3 - D1
G117	Engine compartment, RH side - diesel	2 - D2
G118	engine compartment, RH side, on frame rail	16 - F5
G119	engine, front	16 - F7
G120	engine, RH side, rear	16 - F3
G200	dash panel, RH side	21 - C1
G201	Floor	26 - C3
G202	dash panel, LH side	21 - E8
G203	dash panel, LH side	21 - E8
G204	LH side, A-pillar	26 - B3
G204	LH side, A-pillar	20 - E2
G207	Instrument Panel - stripped chassis	22 - A5
G208	Instrument Panel - stripped chassis	22 - E3
G300	Frame, LH side, rear	39 - E2
G400	vehicle rear end, LH side	33 - C7
G401	Frame, LH side, rear	39 - E3
G401	Frame, LH side, rear - diesel	38 - B4
G402	Frame, LH side, rear - stripped chassis	39 - E3



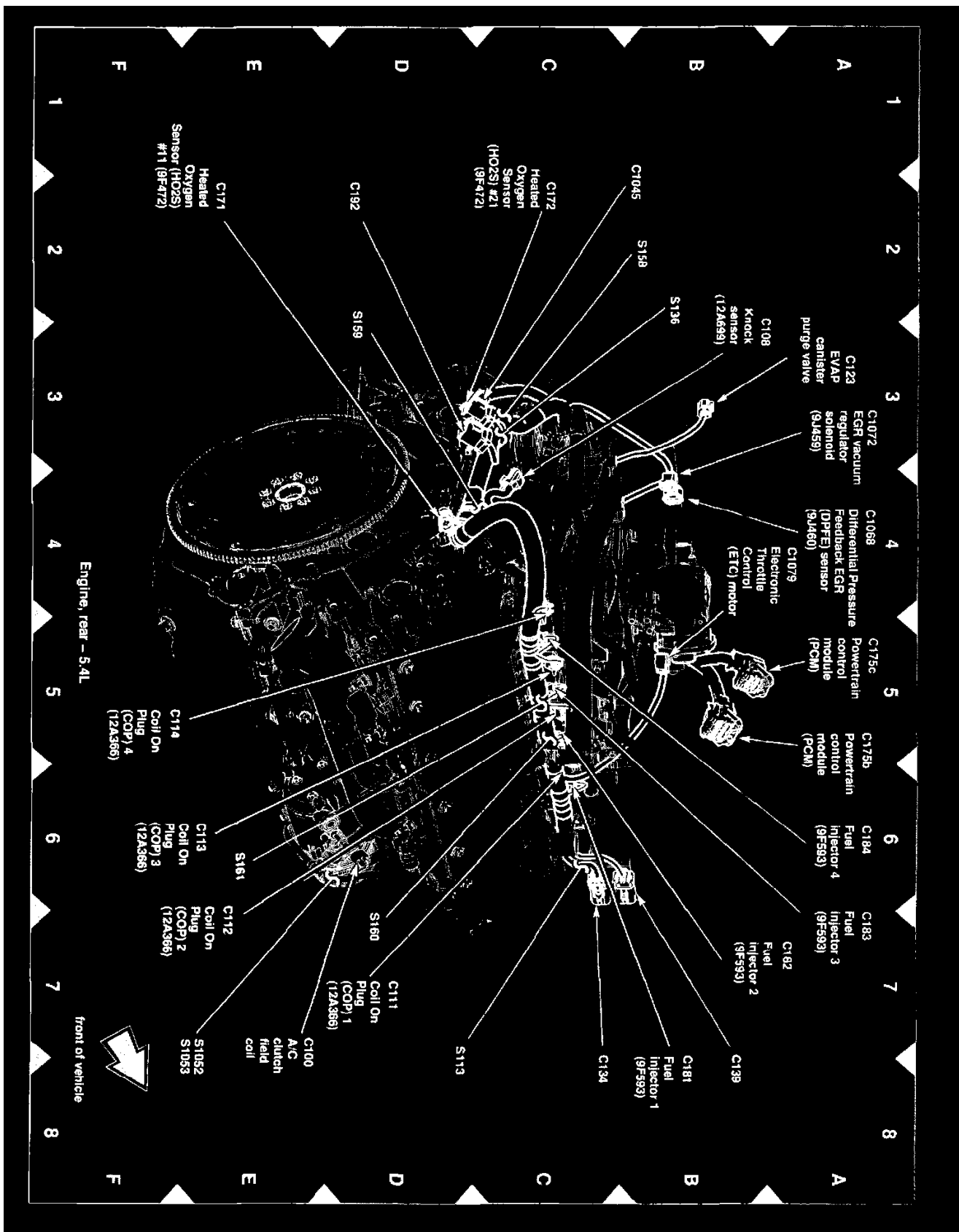
View 151-1 (Engine Compartment)



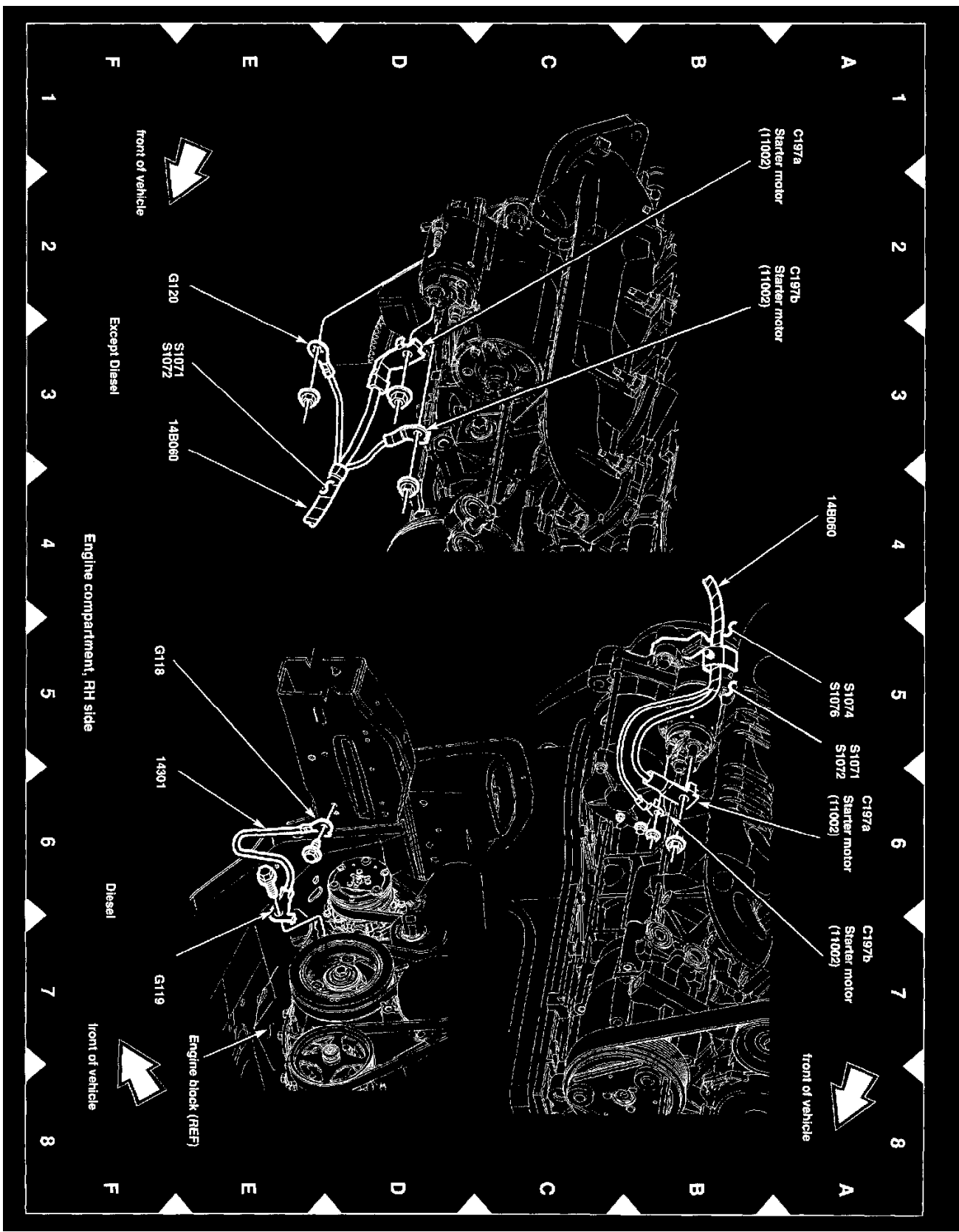
View 151-3 (Engine Compartment - Stripped Chassis)



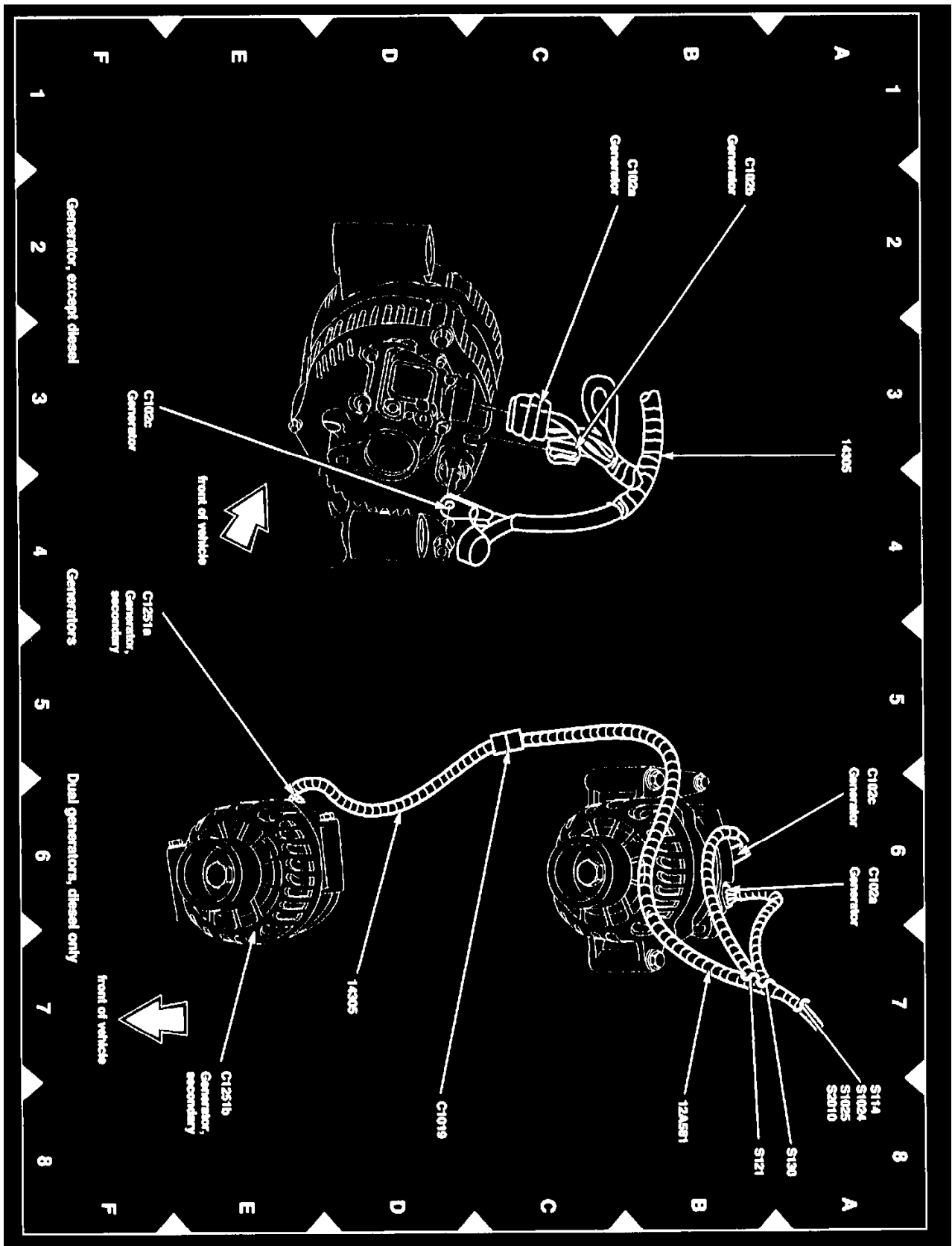
View 151-4 (Engine Compartment, Master Cylinder Area)



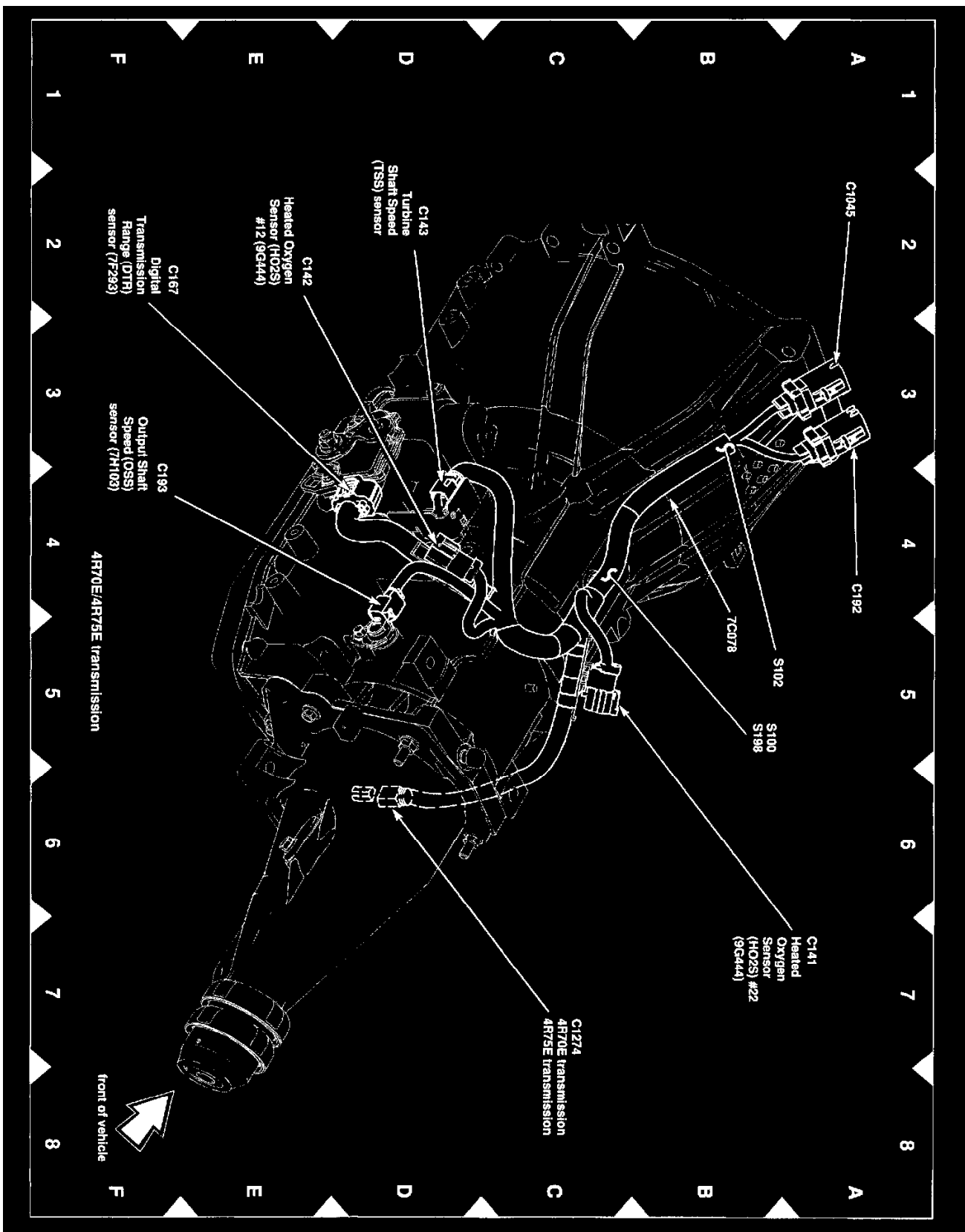
View 151-11 (Engine, Rear)



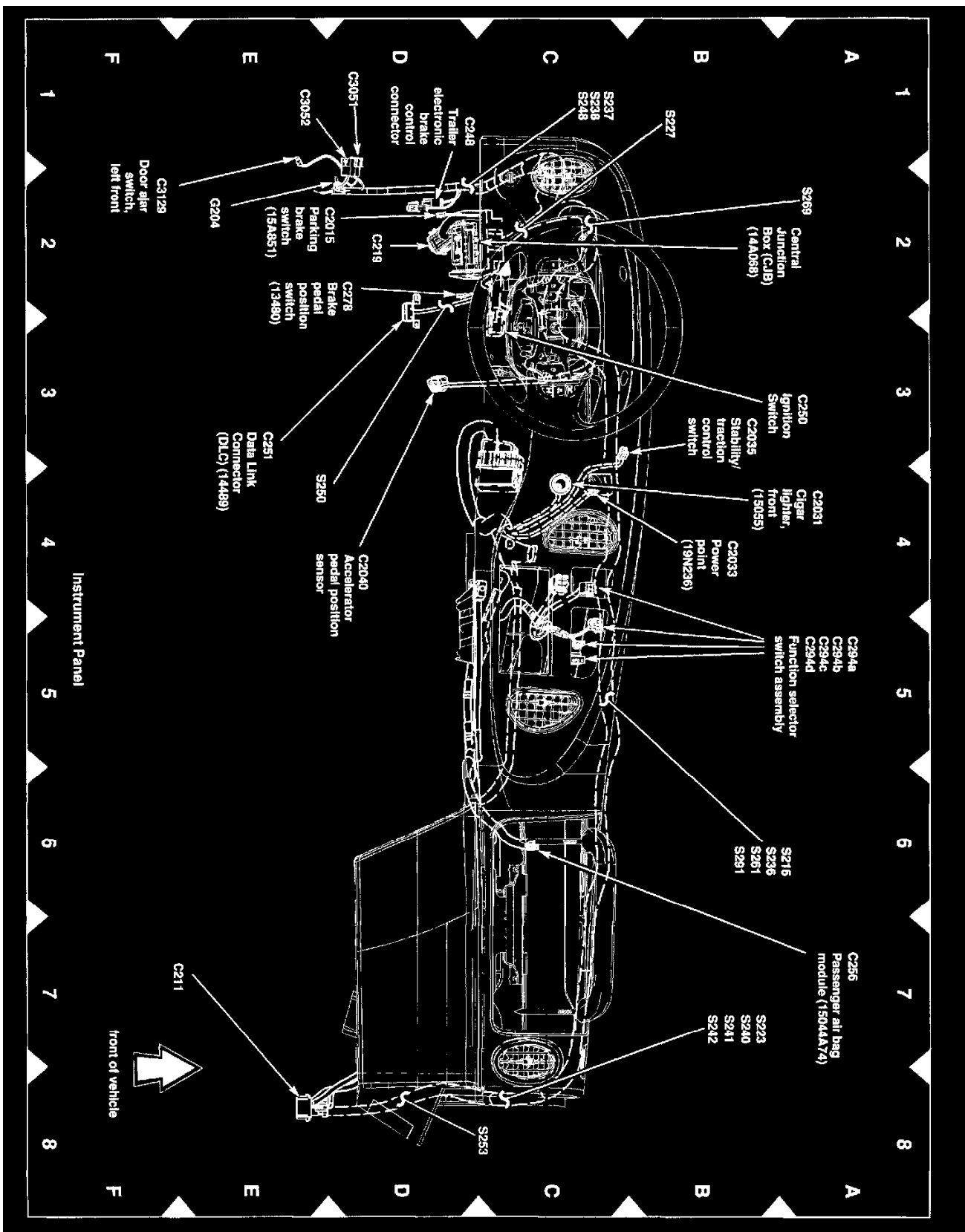
View 151-16 (Engine Compartment, RH Side)



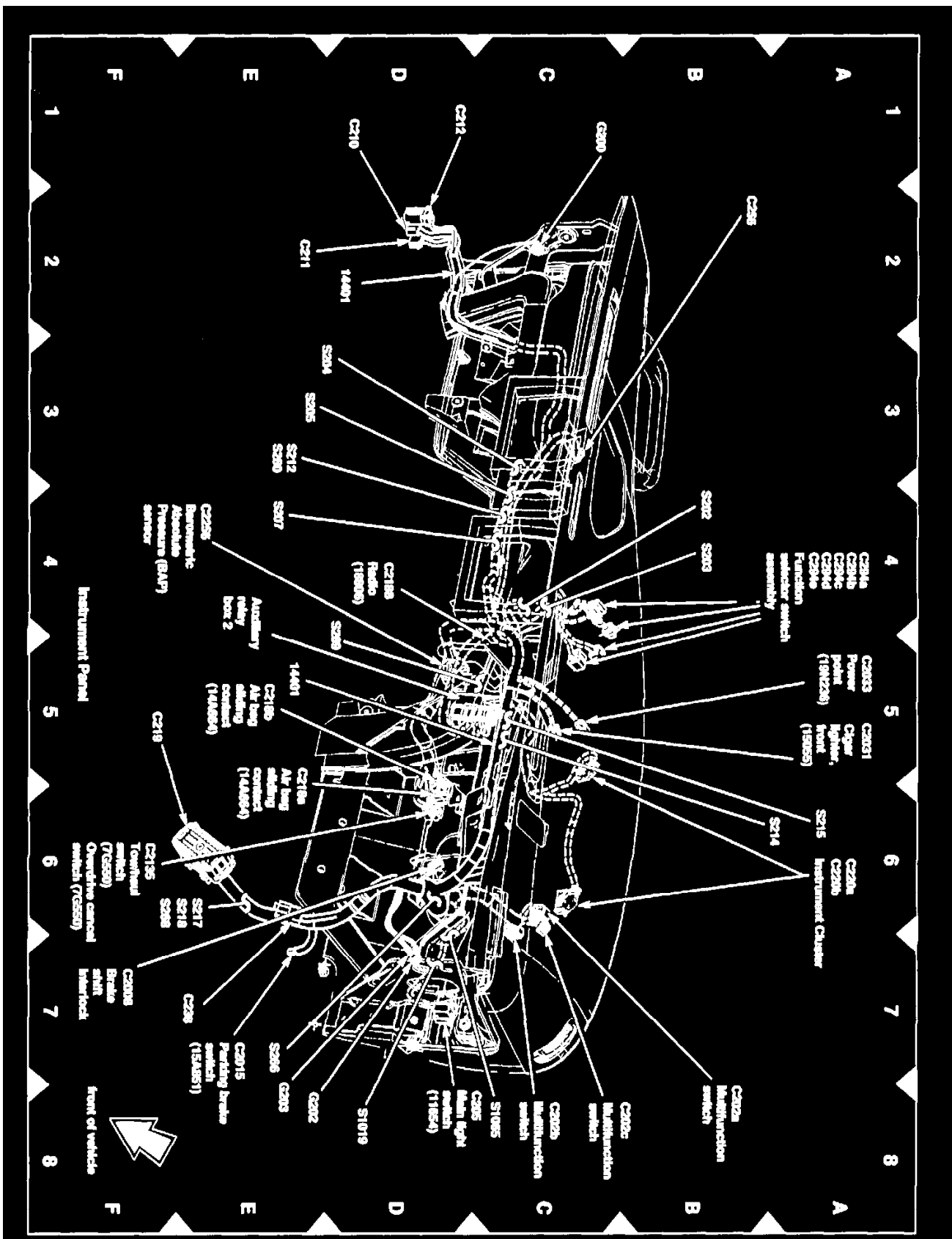
View 151-17 (Generators)



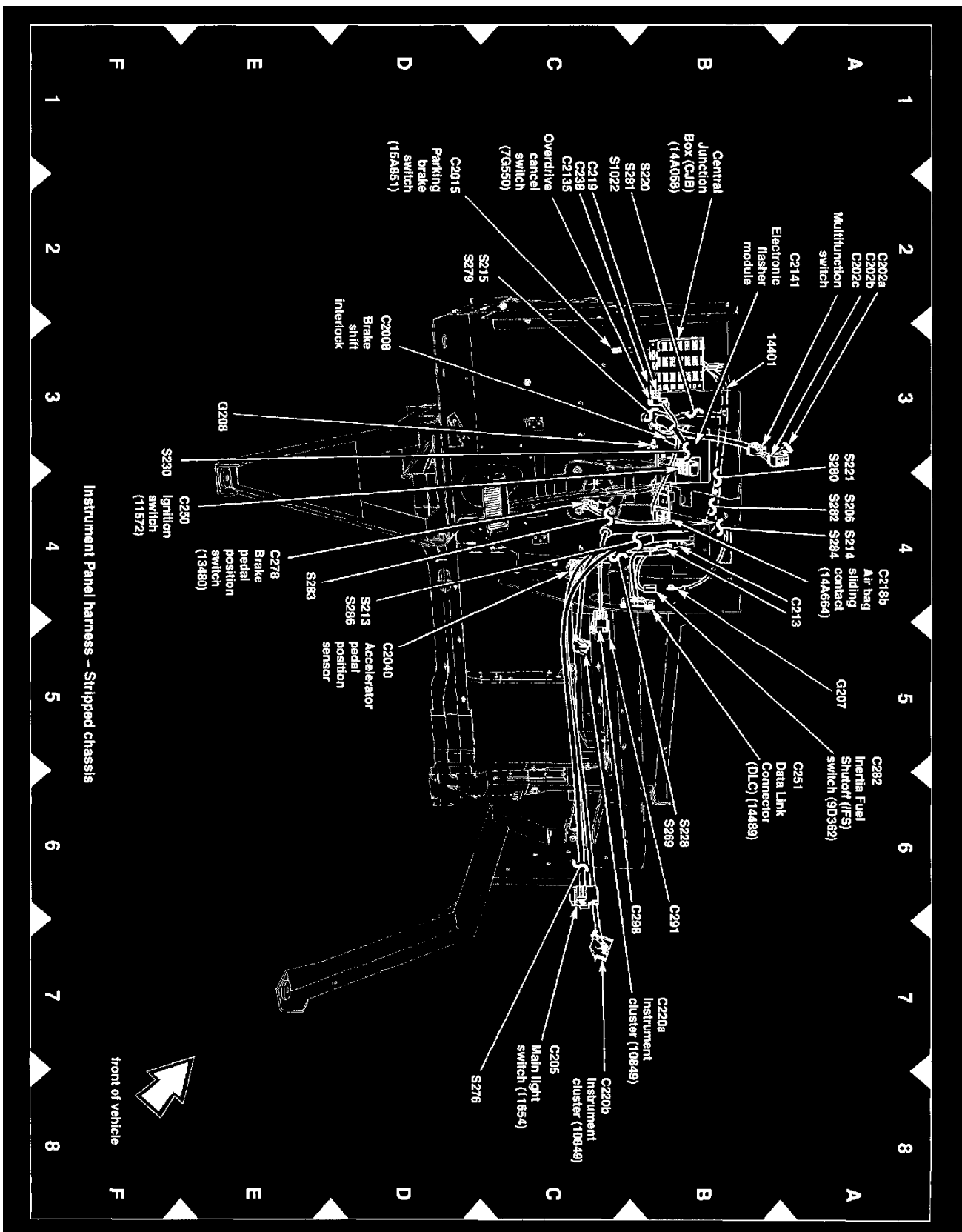
View 151-18 (4R70E/4R75E Transmission)



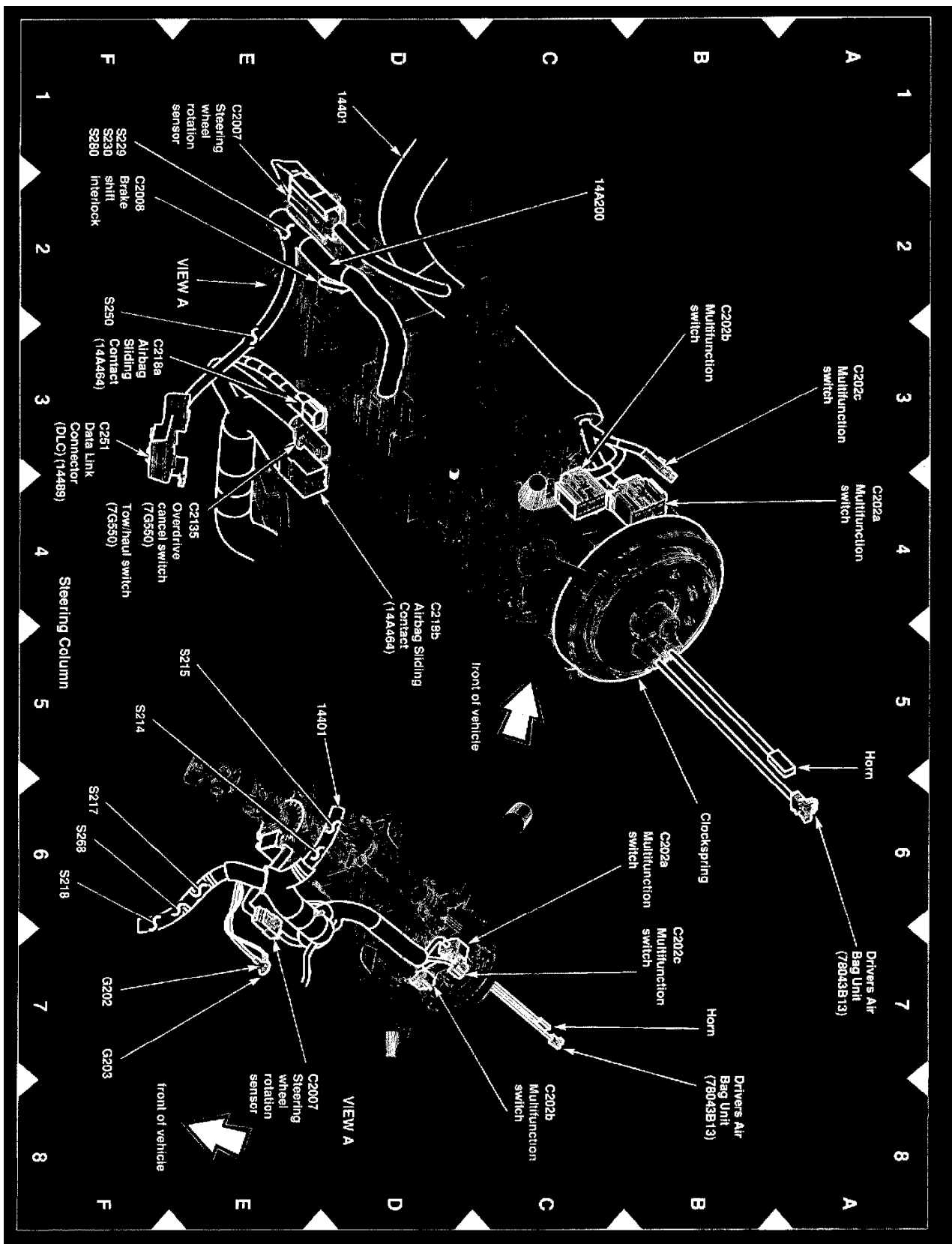
View 151-20 (Instrument Panel)



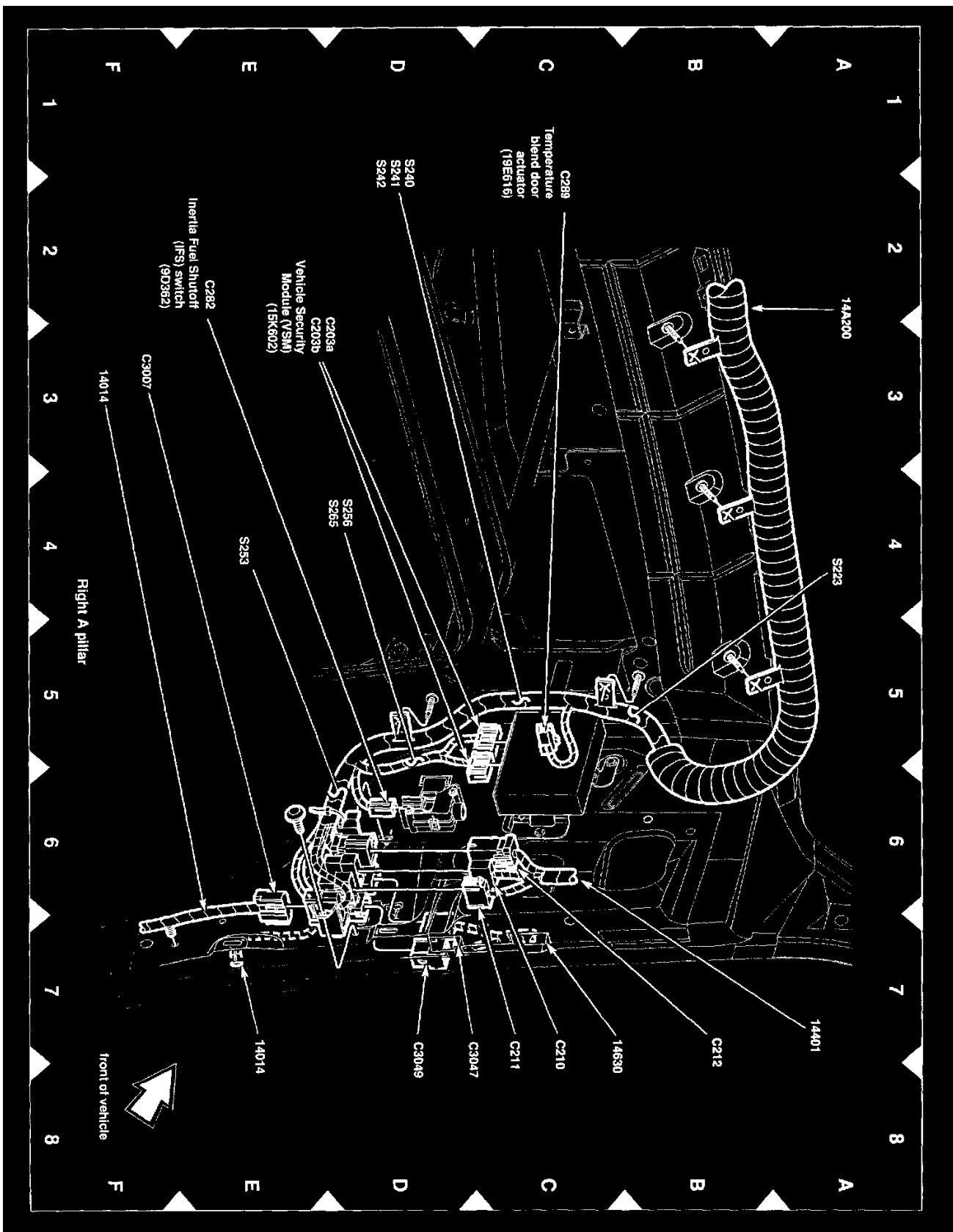
View 151-21 (Instrument Panel)



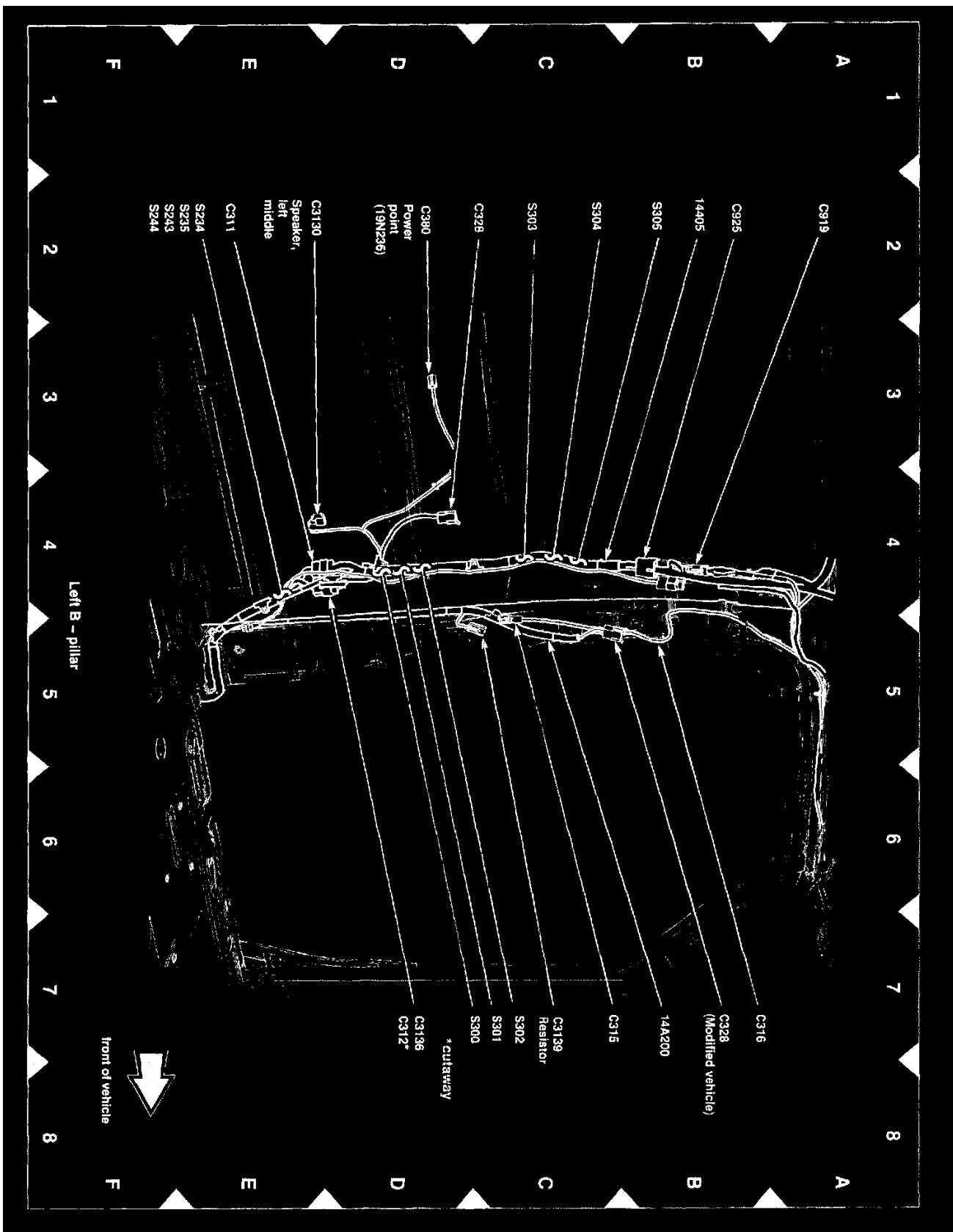
View 151-22 (Instrument Panel Harness - Stripped Chassis)



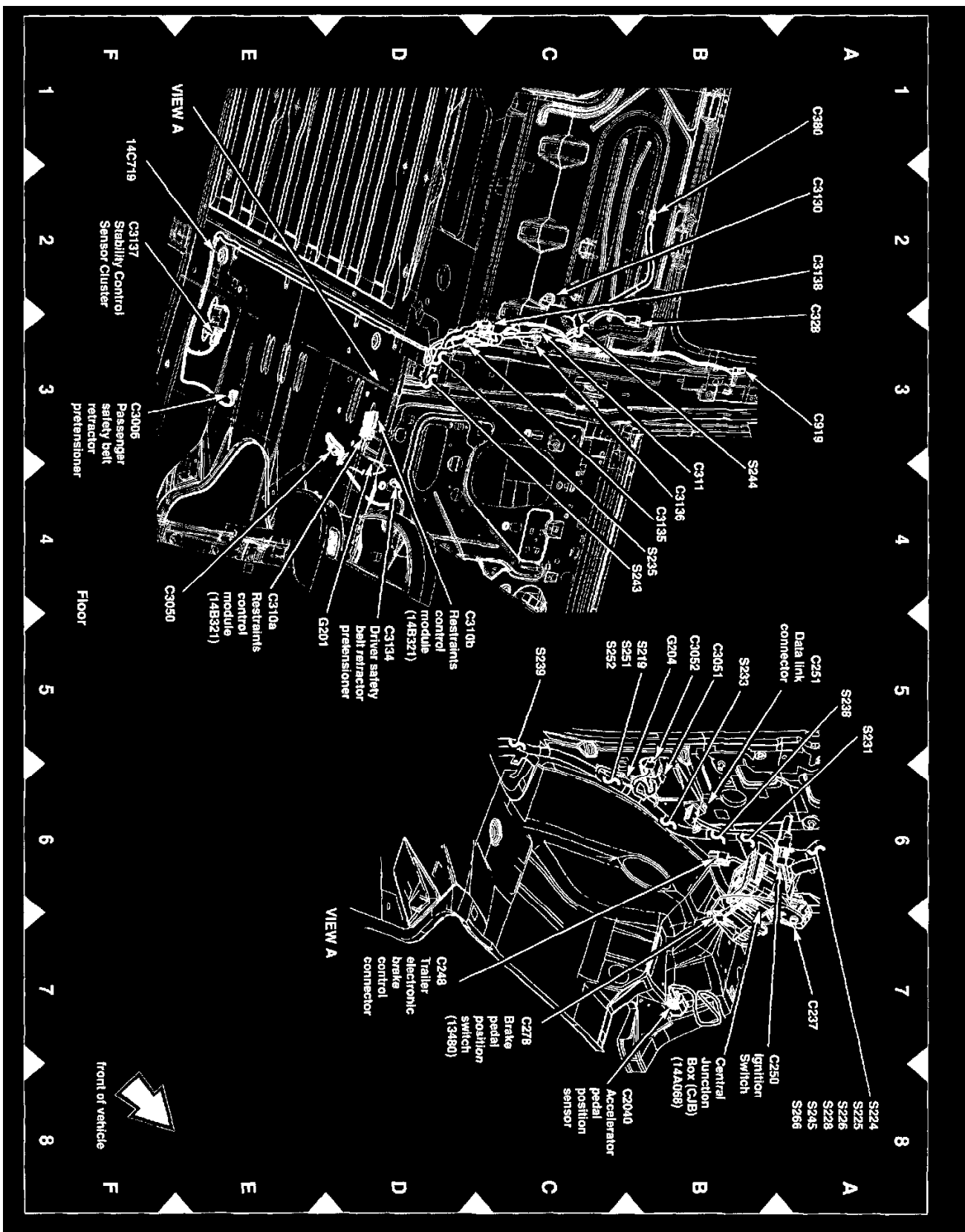
View 151-23 (Steering Column)



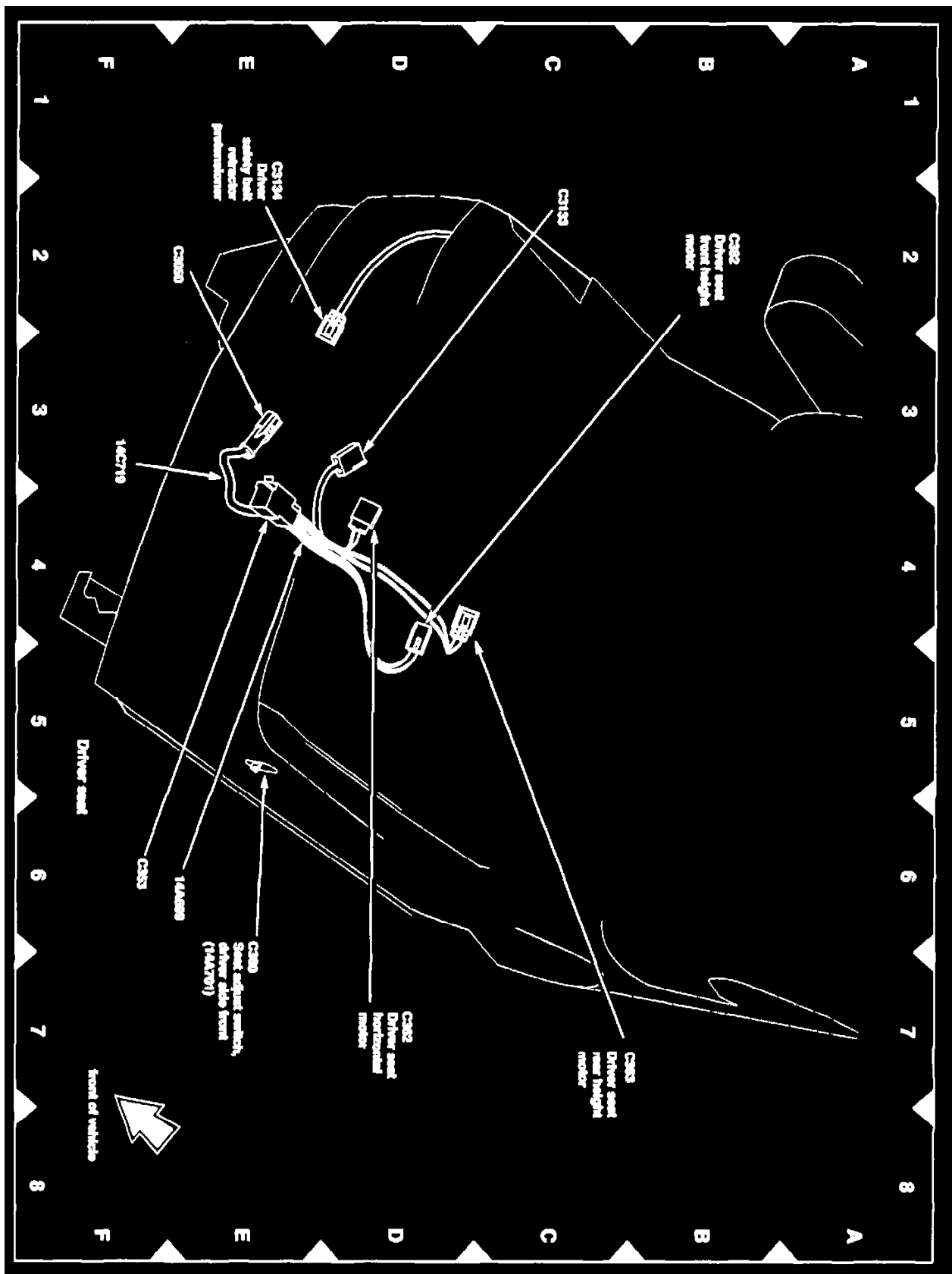
View 151-24 (Right A Pillar)



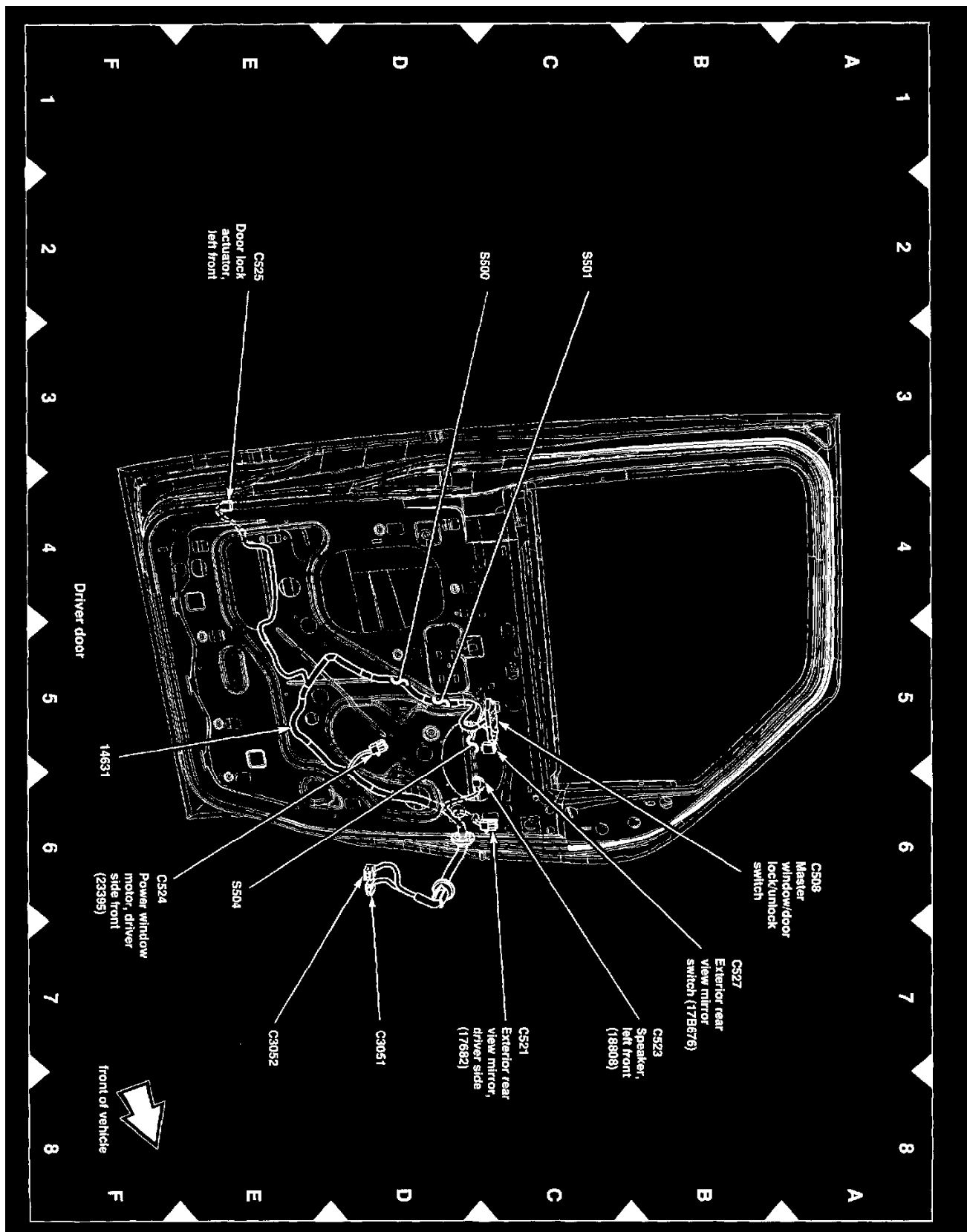
View 151-25 (Left B-Pillar)



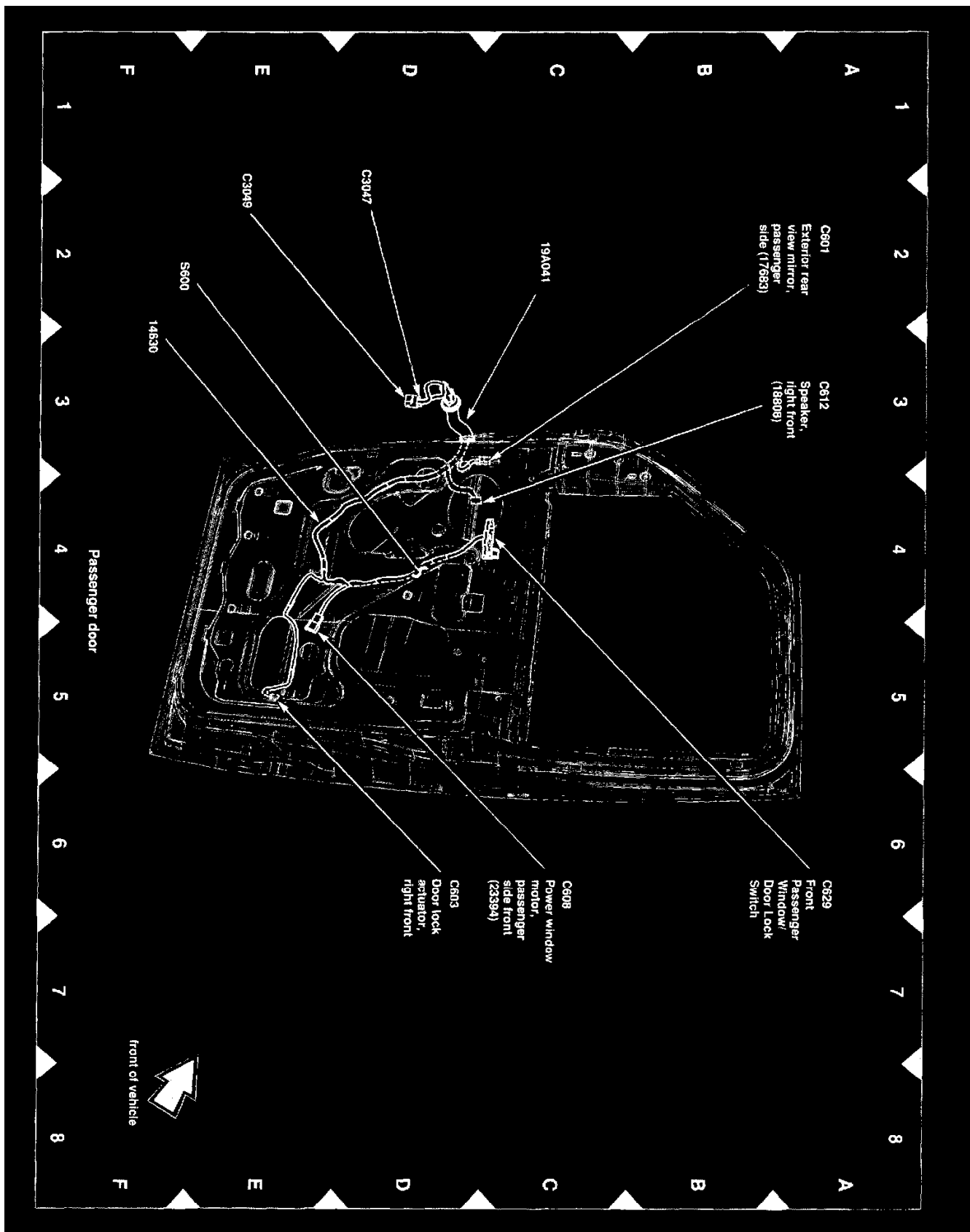
View 151-26 (Floor)



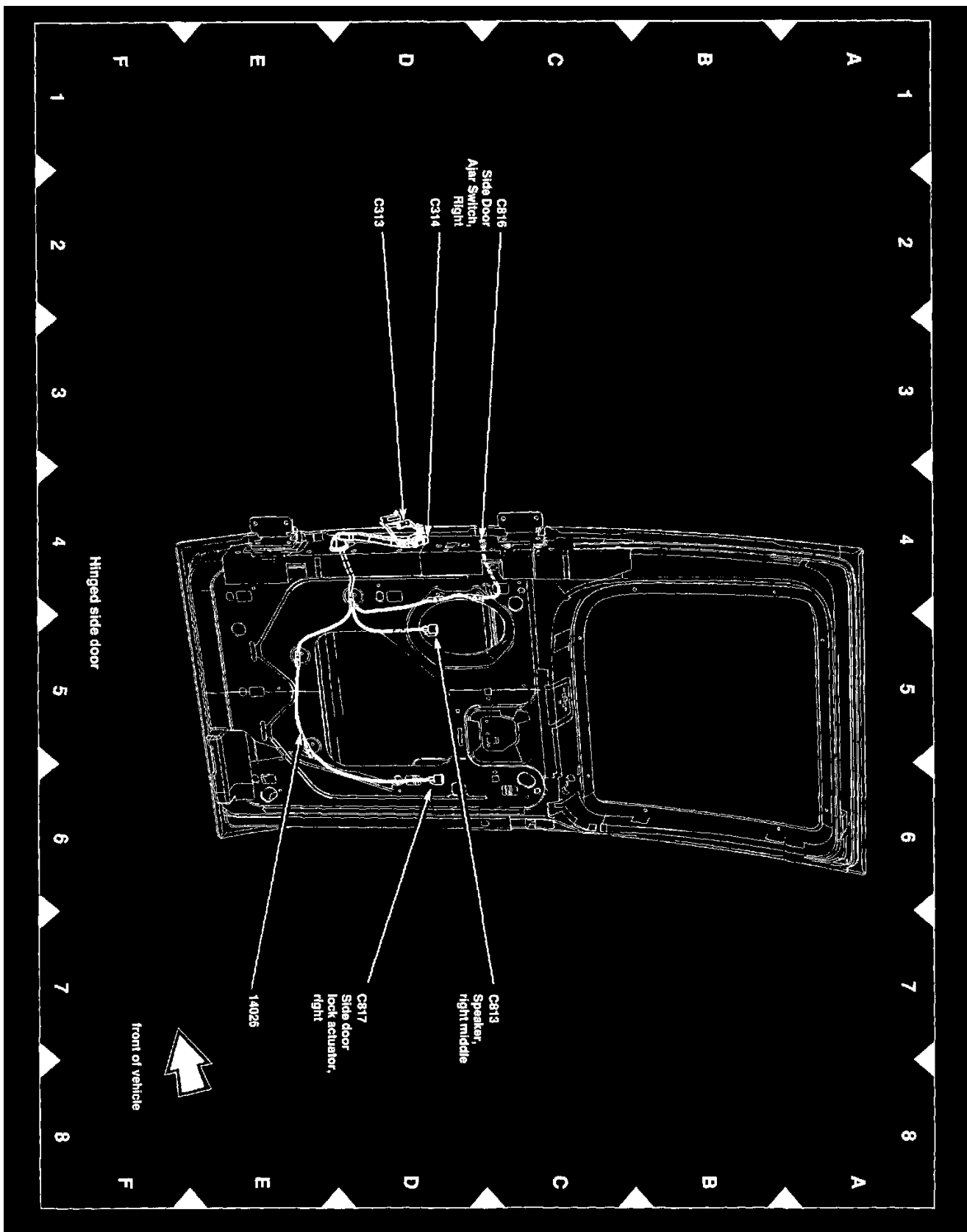
View 151-27 (Driver Seat)



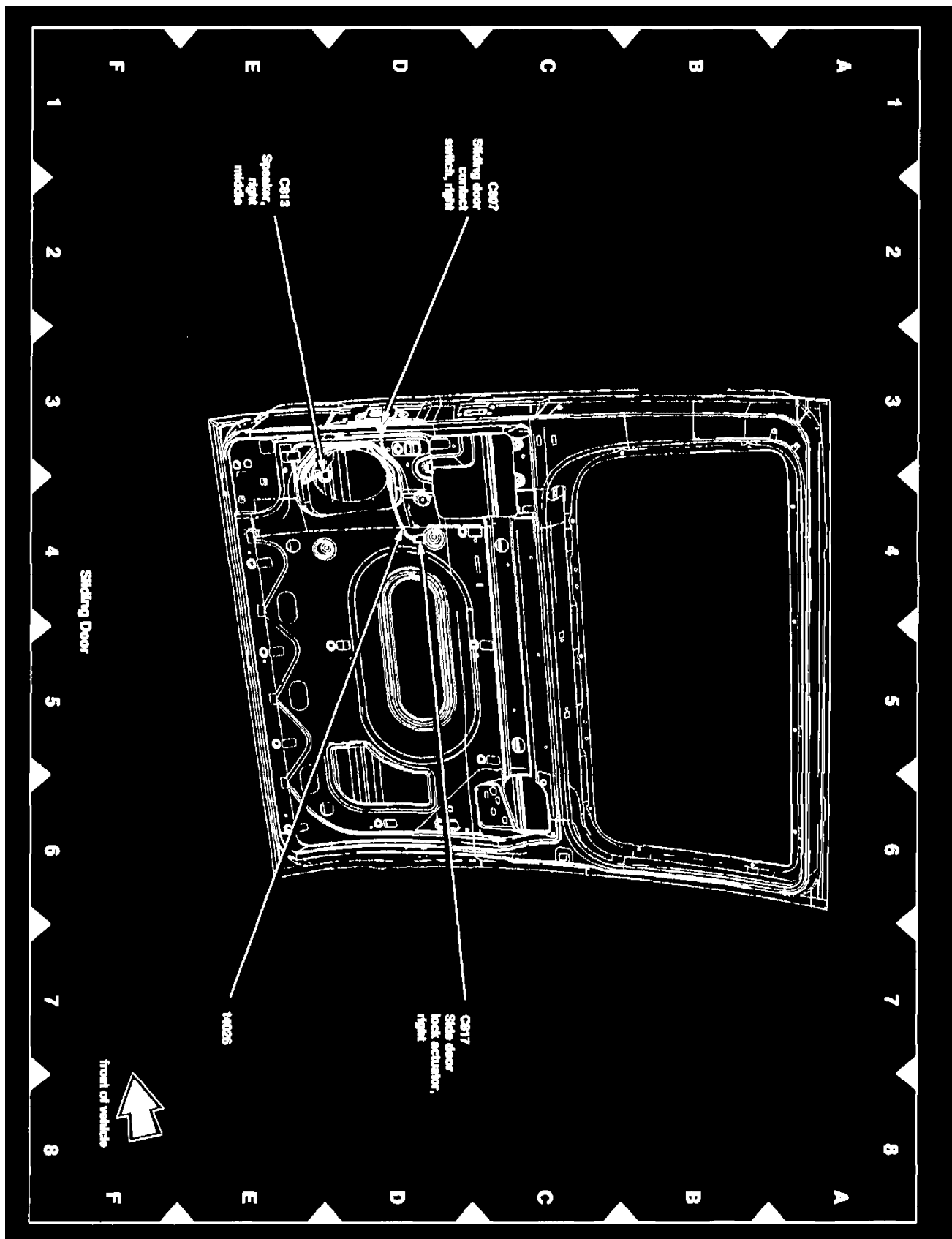
View 151-28 (Driver Door)



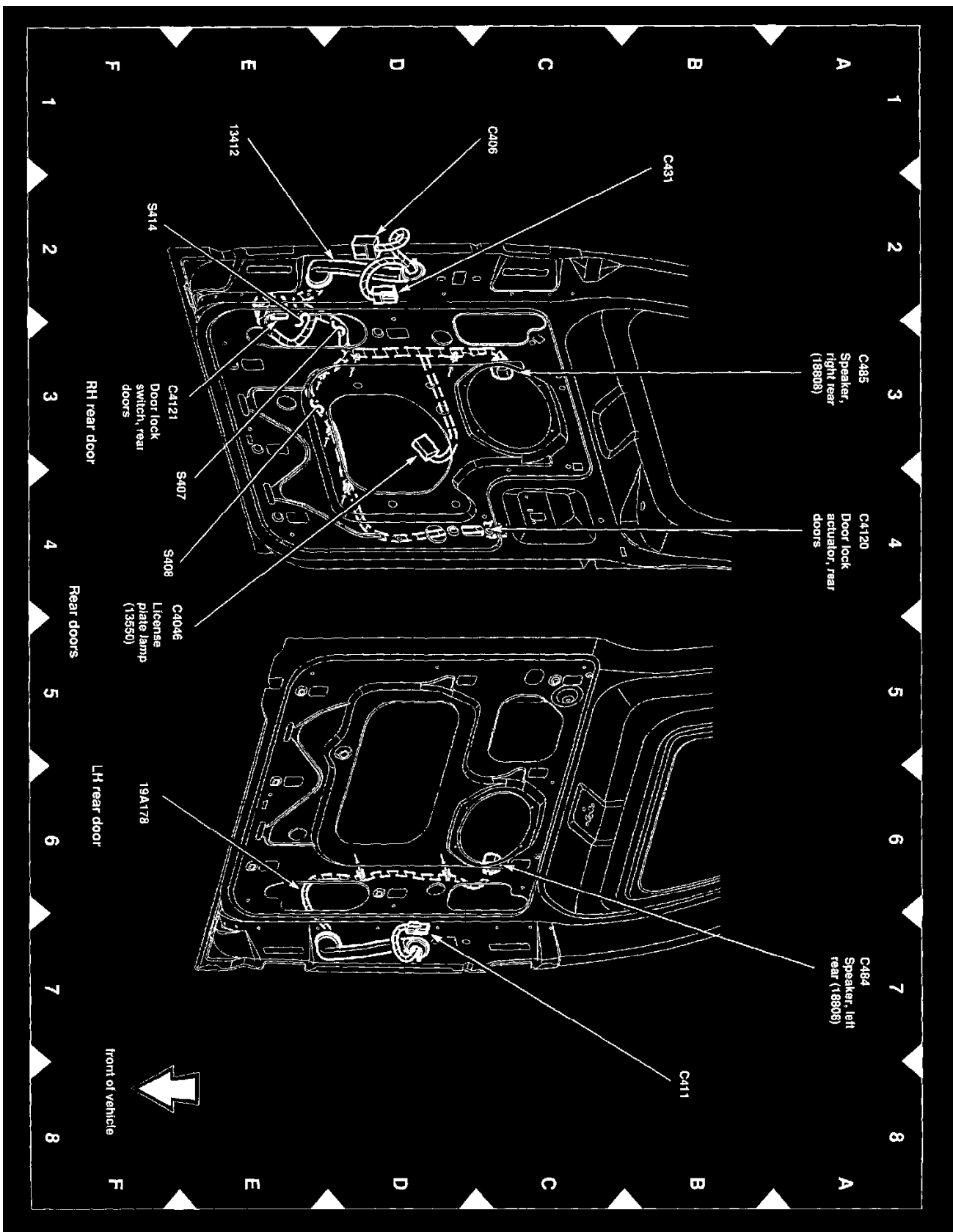
View 151-29 (Passenger Door)



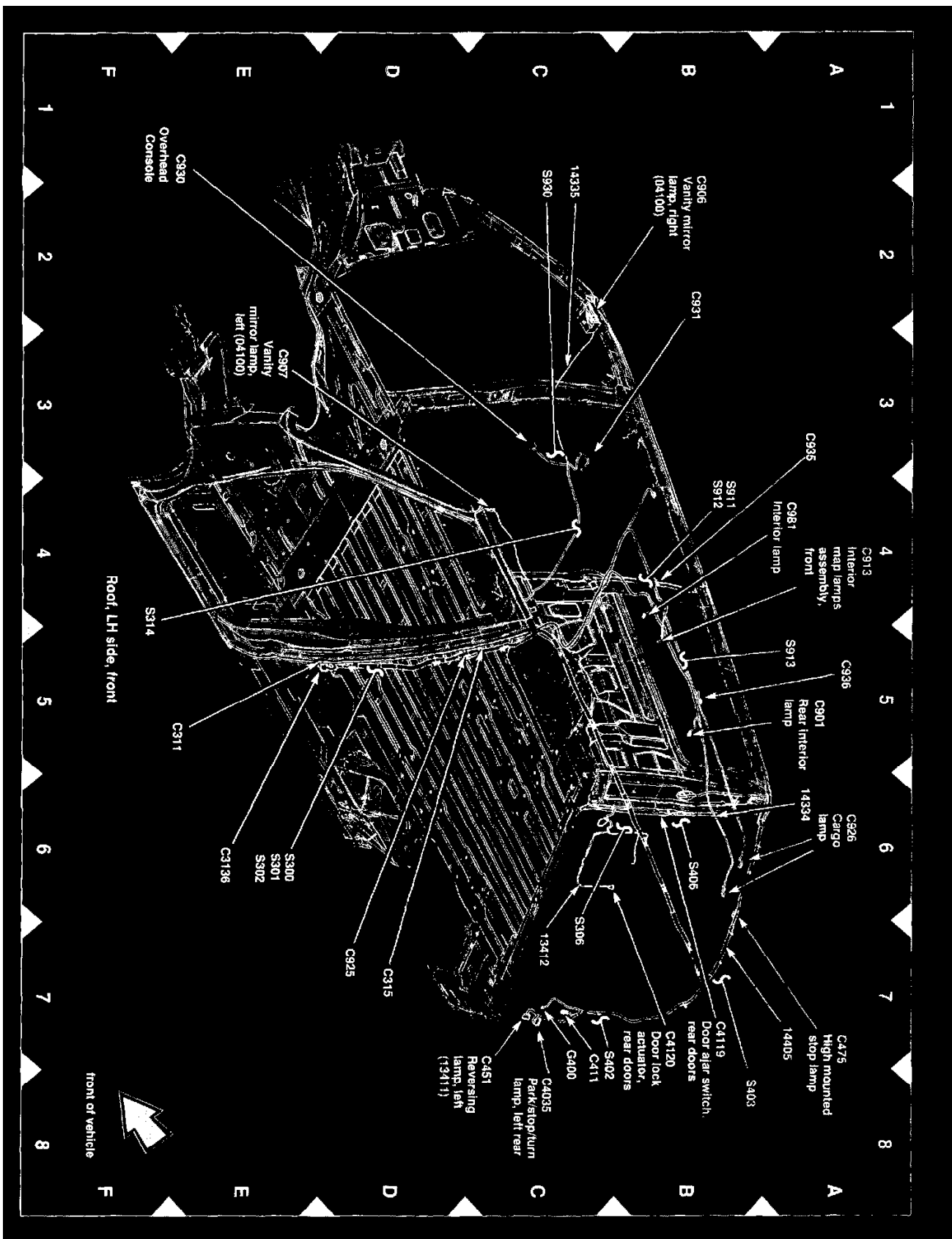
View 151-30 (Hinged Side Door)



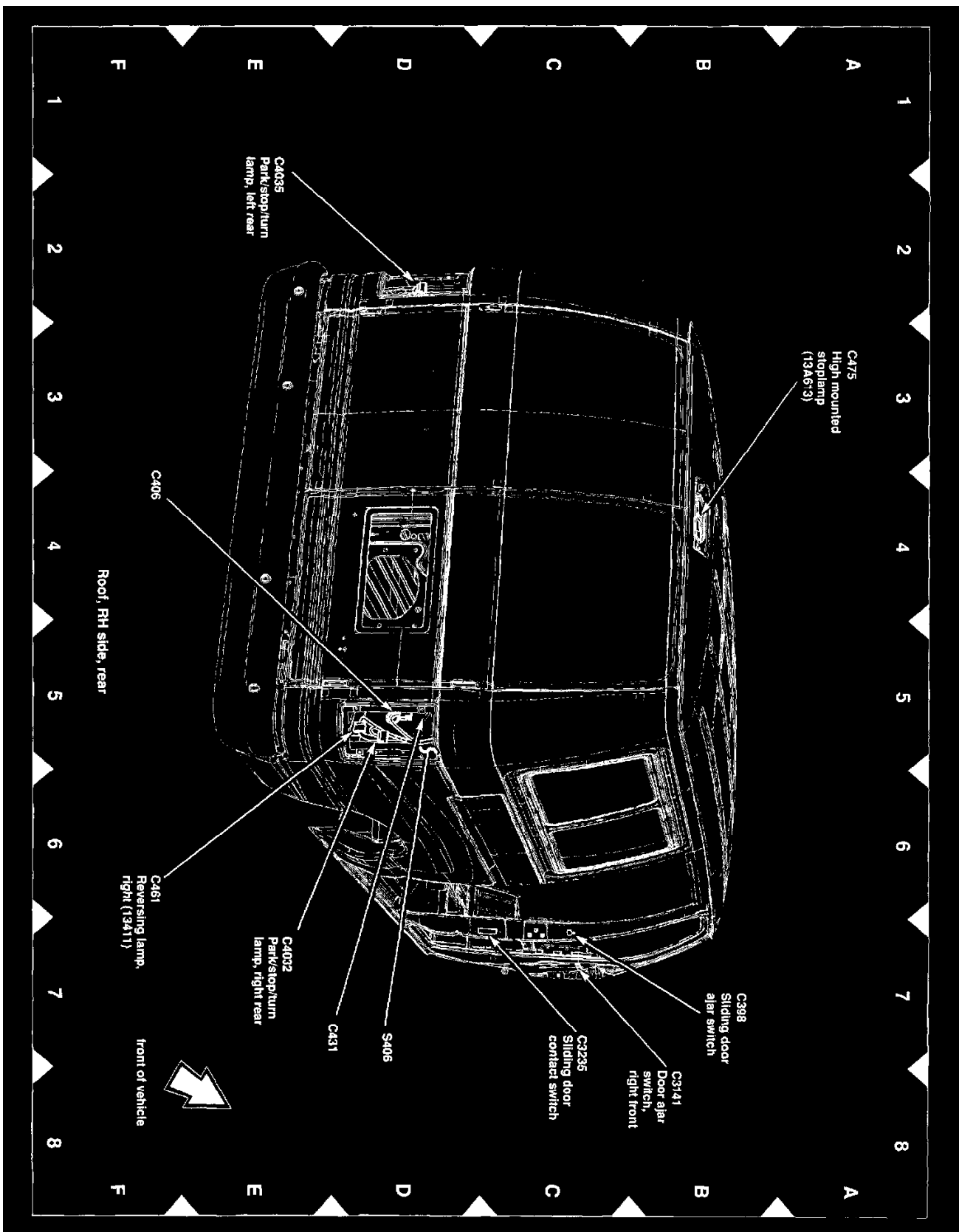
View 151-31 (Sliding Door)



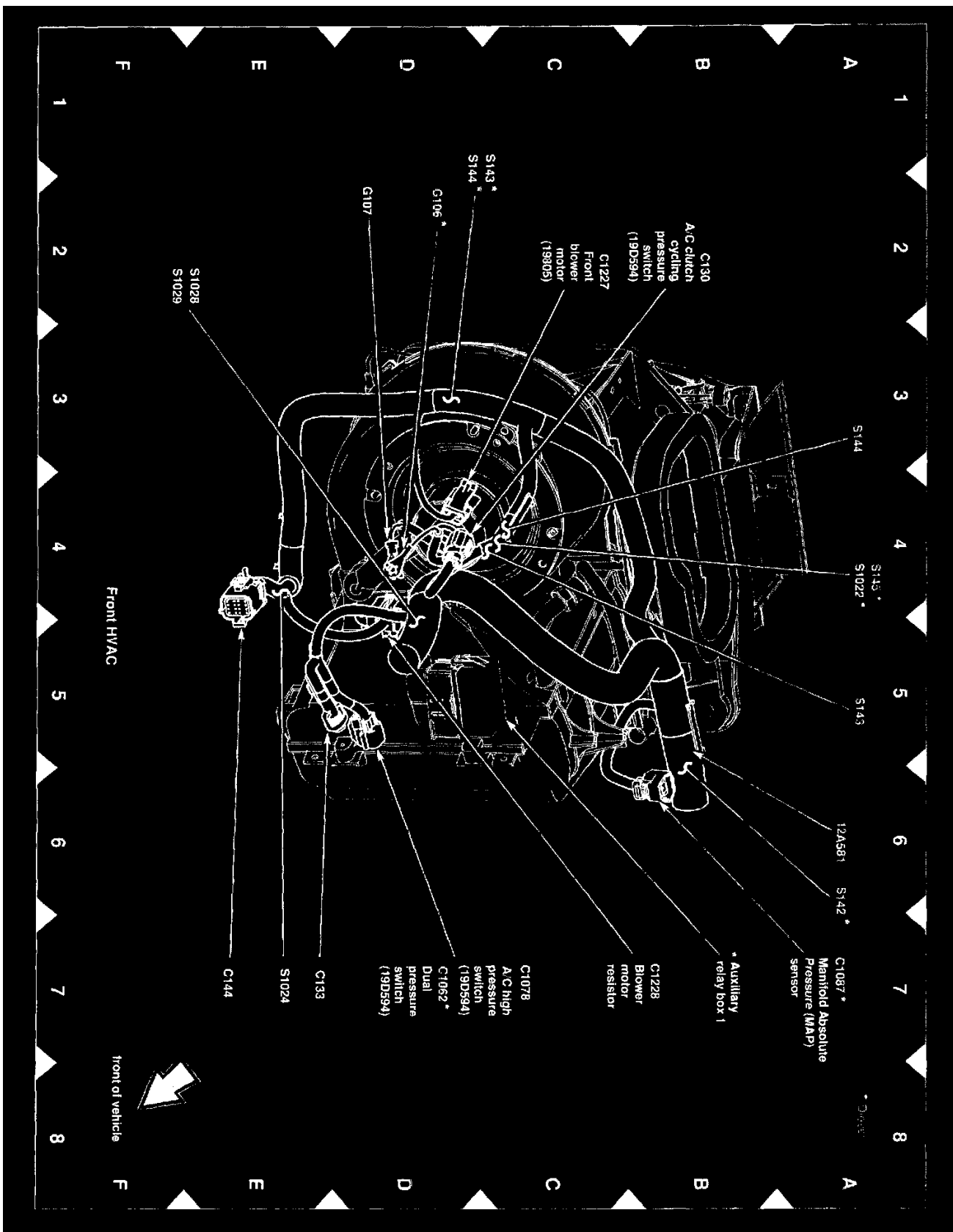
View 151-32 (Rear Doors)



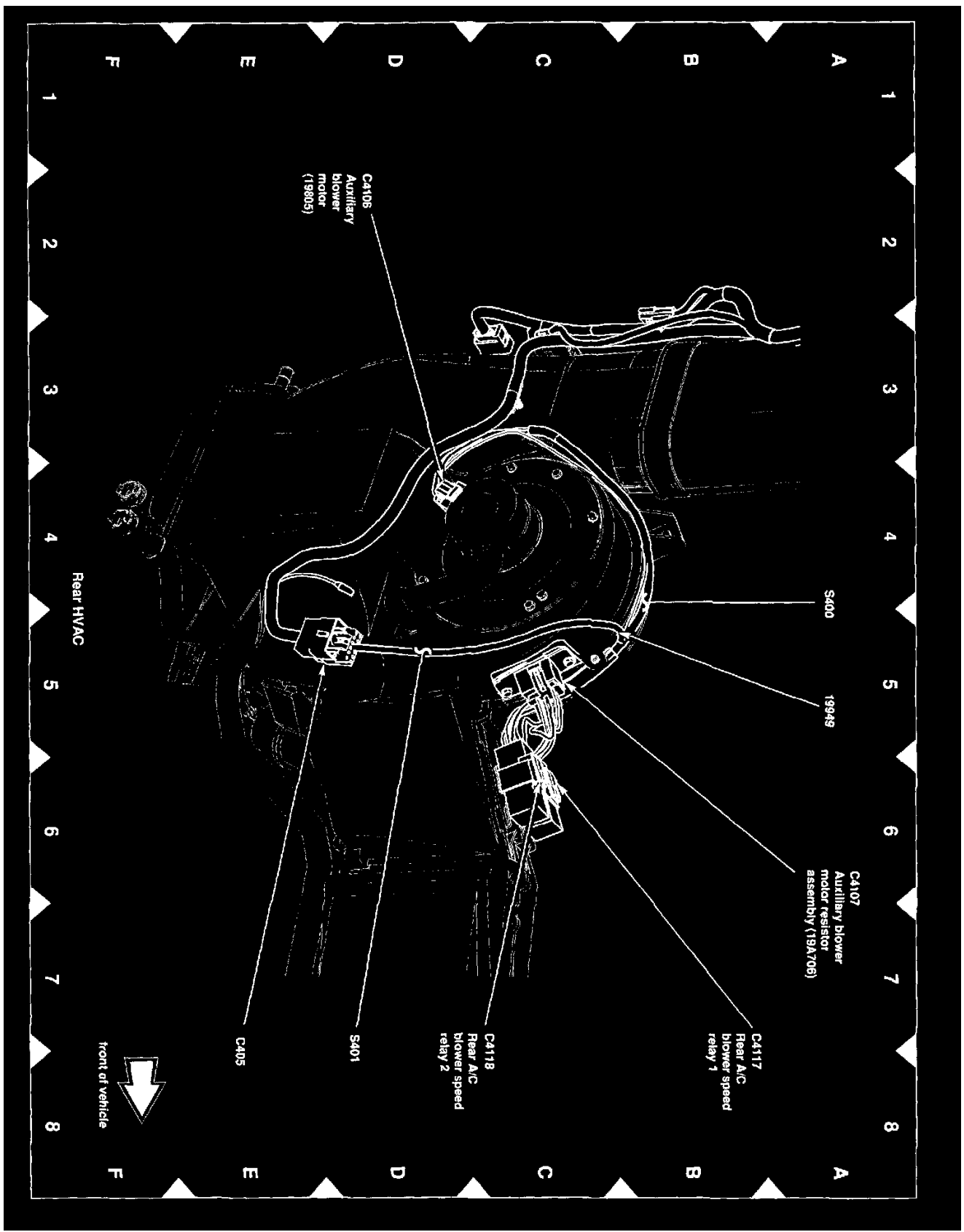
View 151-33 (Roof, LH Side, Front)



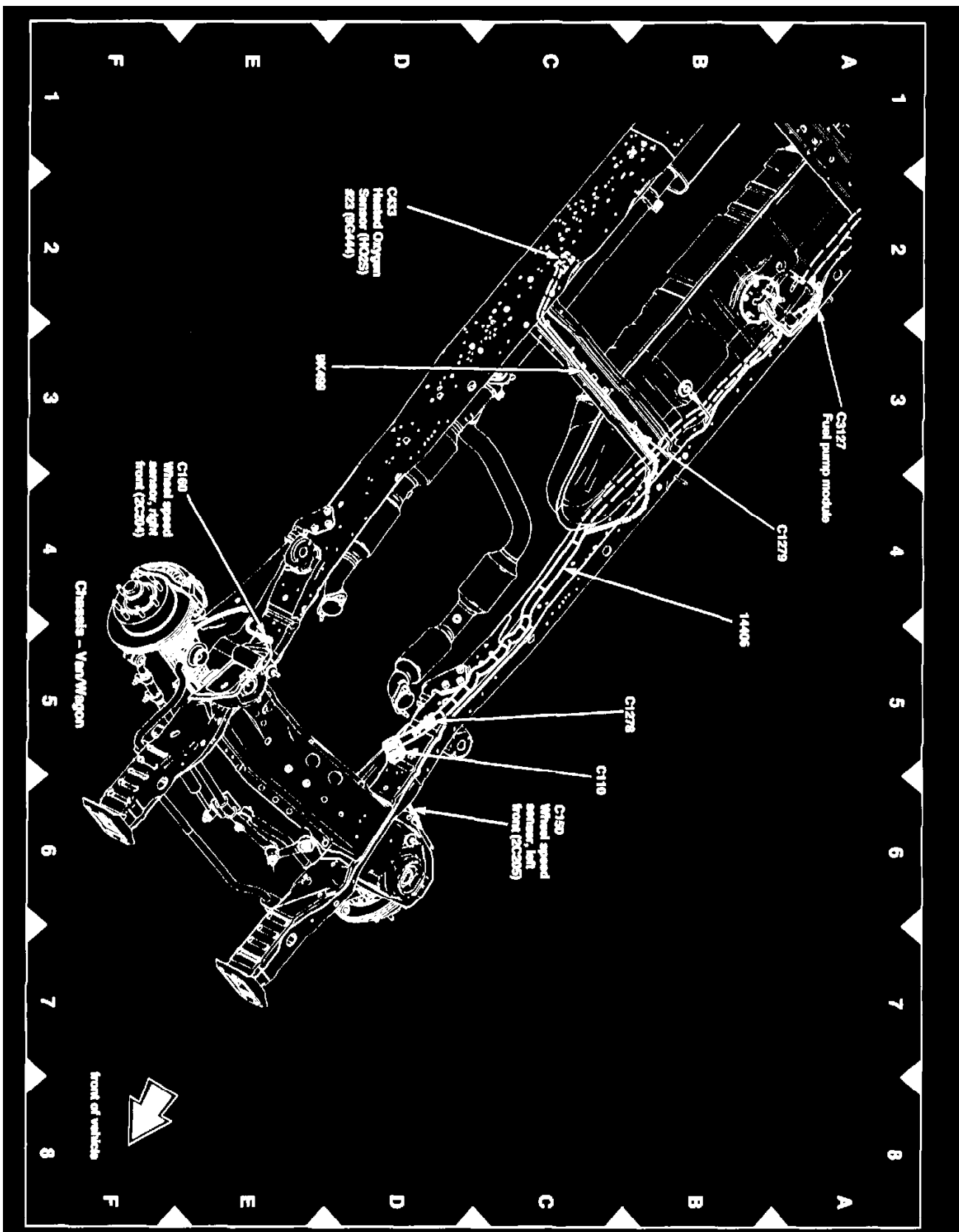
View 151-34 (Roof, RH Side Rear)



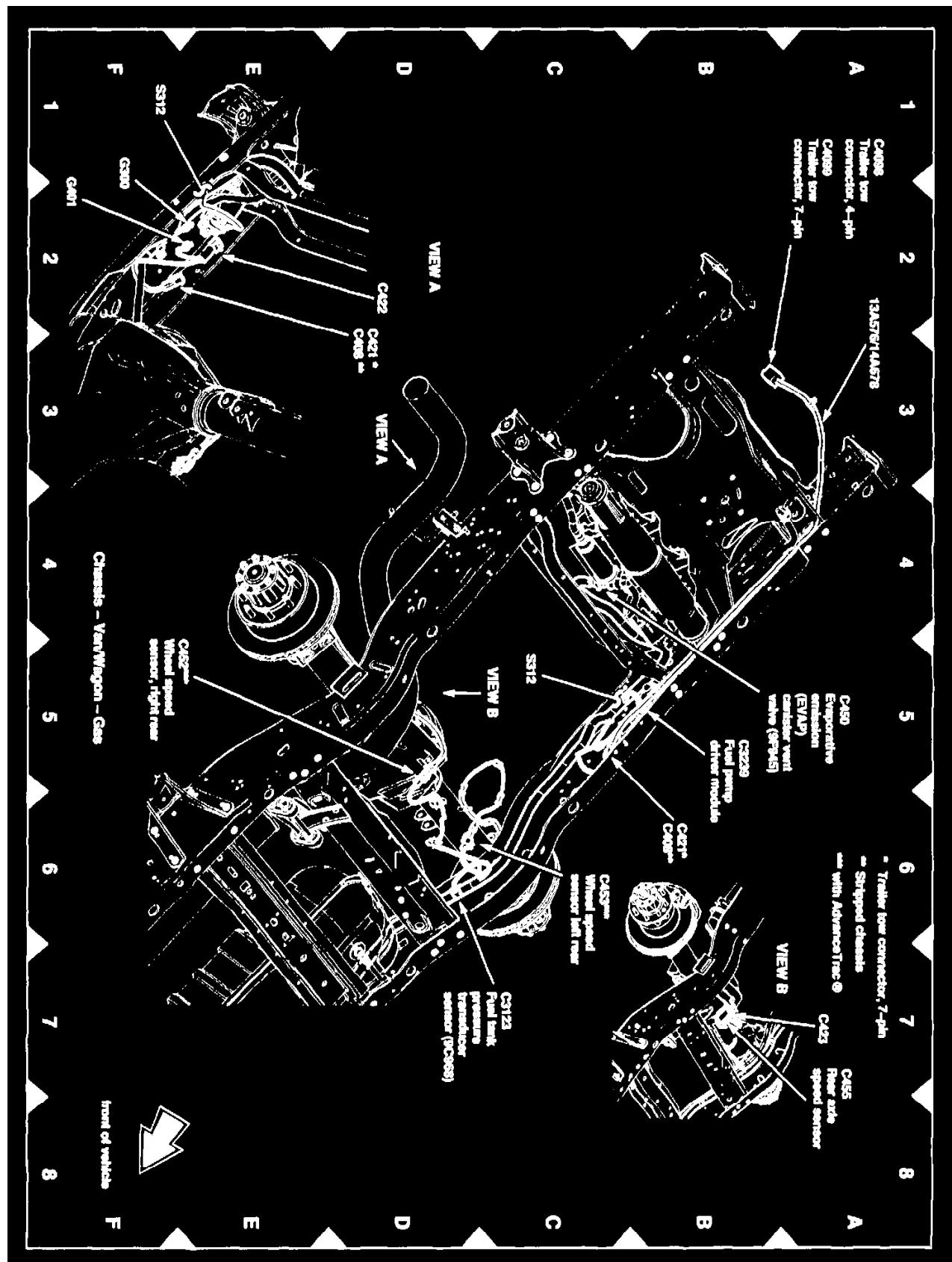
View 151-35 (Front HVAC)



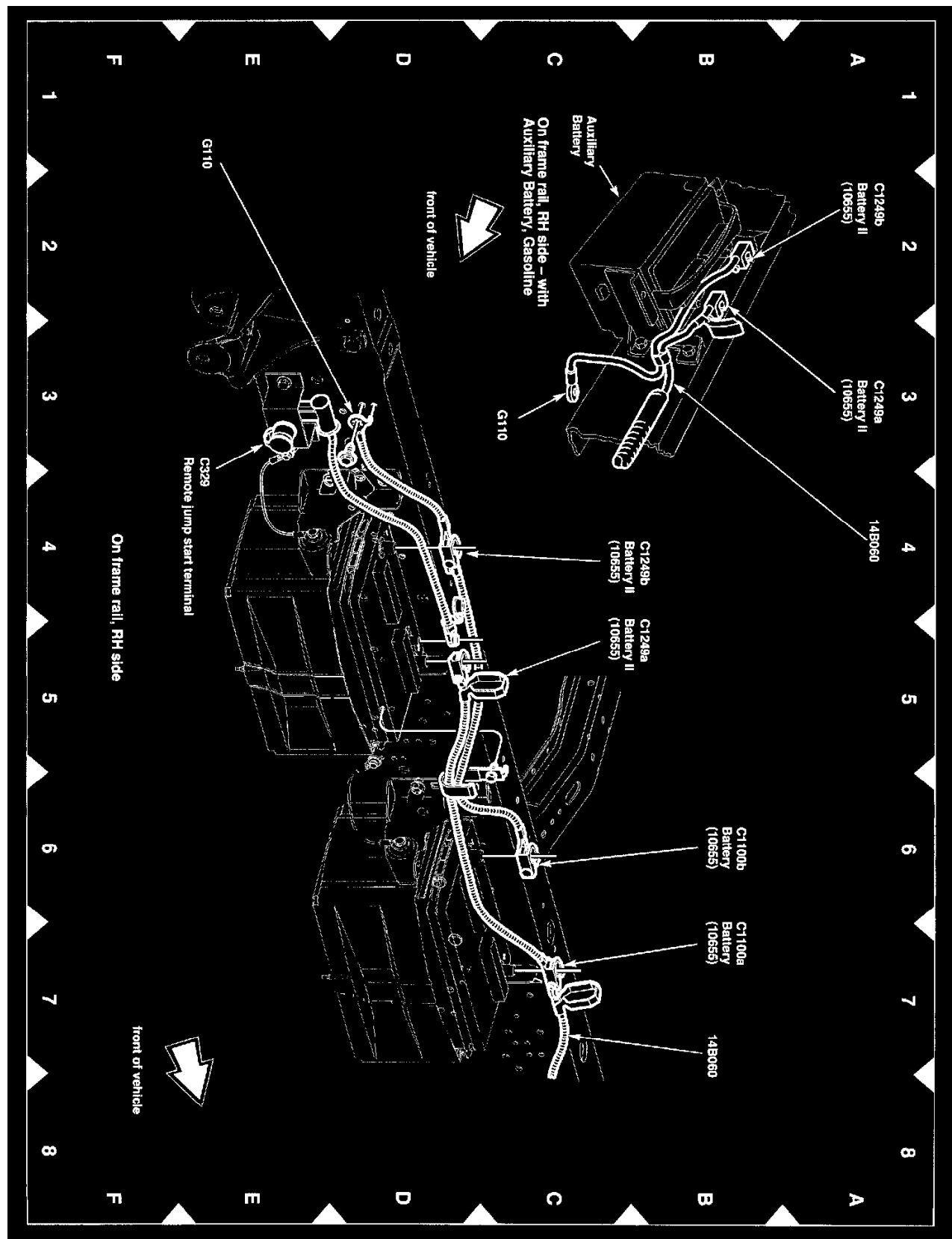
View 151-36 (Rear HVAC)



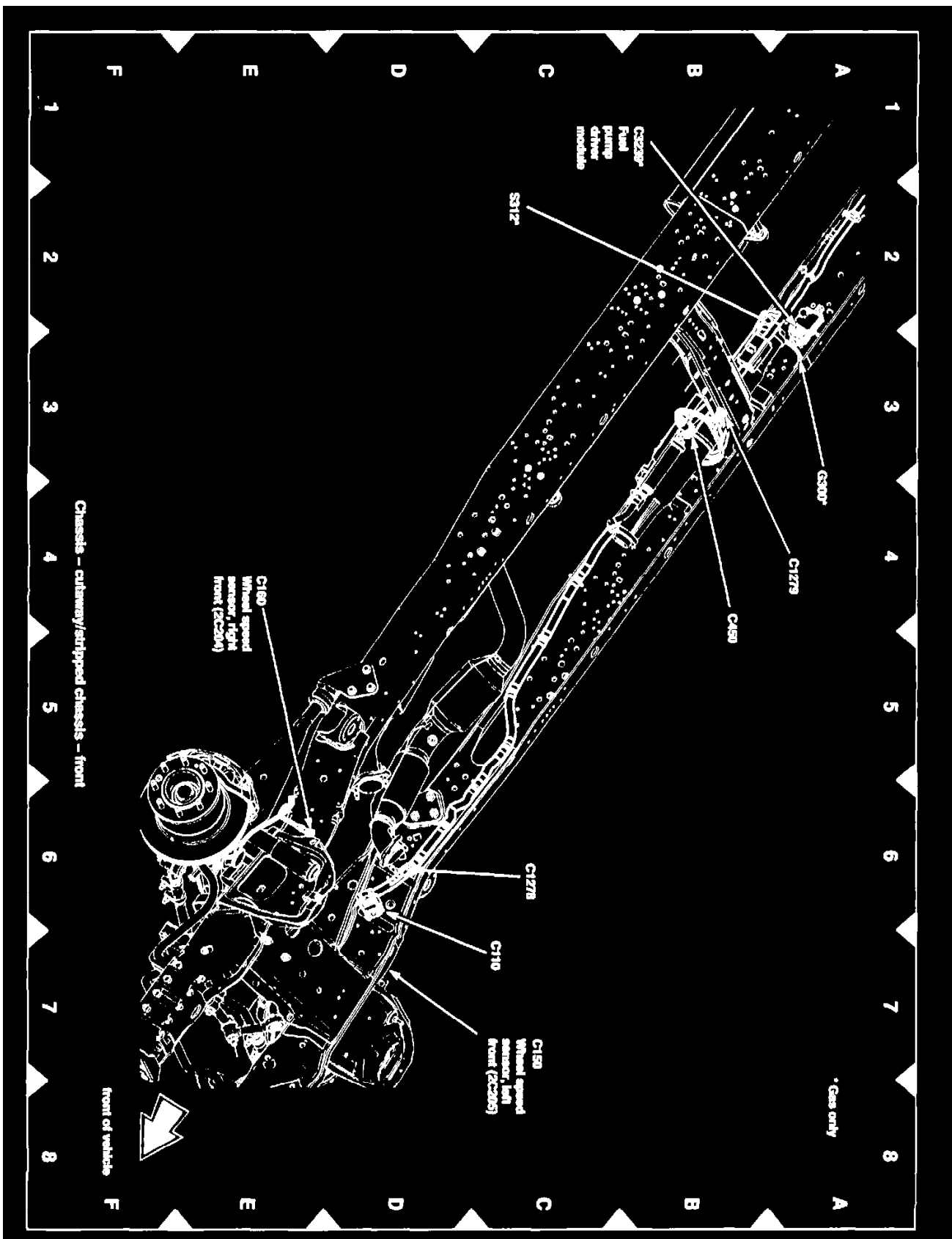
View 151-37 (Chassis - Van/Wagon)



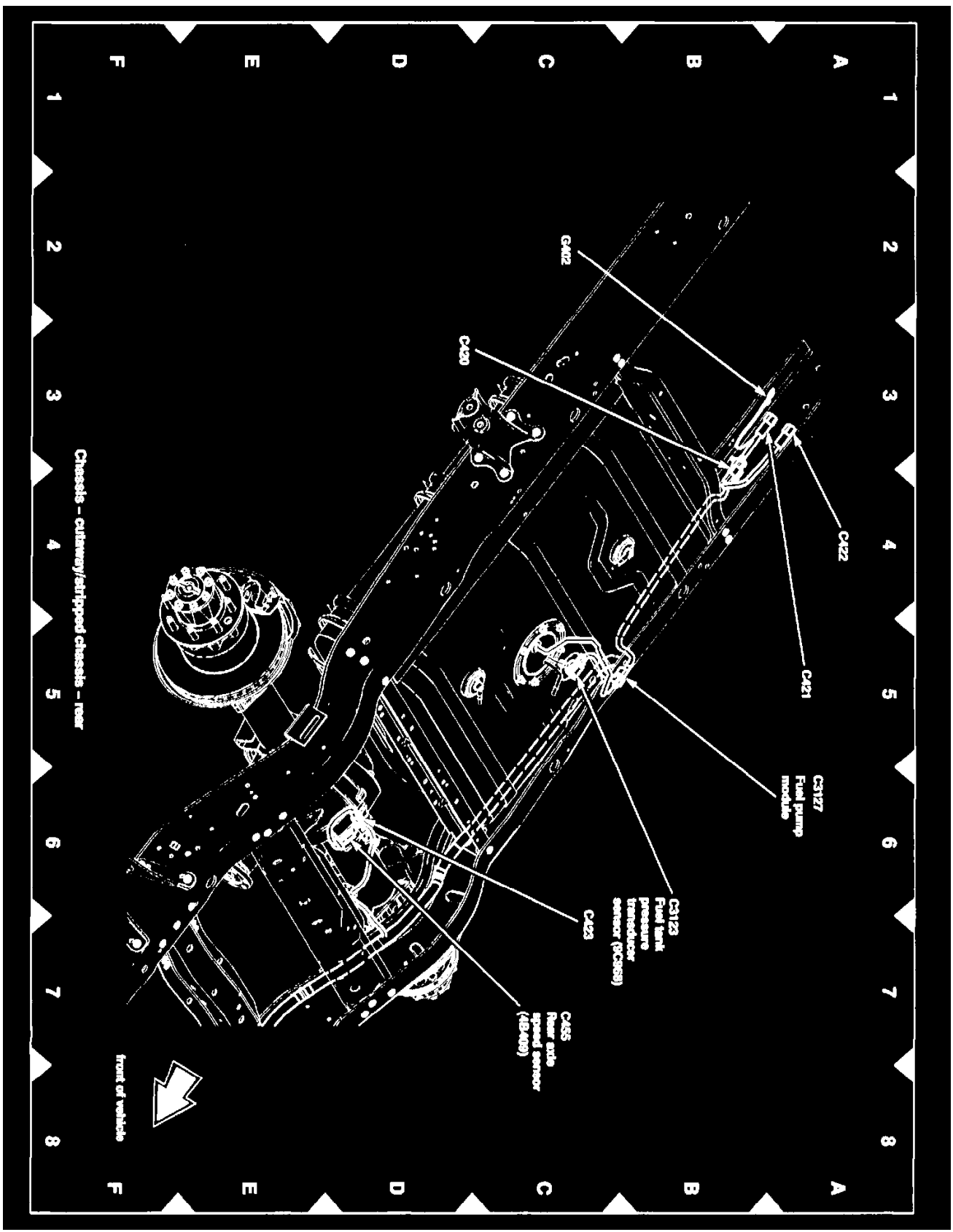
View 151-39 (Chassis - Van/Wagon)



View 151-40 (on Frame Rail, RH Side)



View 151-41 (Chassis - Cutaway/Stripped Chassis - Front)



Chassis - cutaway/stripped chassis - rear

front of vehicle

View 151-42 (Chassis - Cutaway/Stripped Chassis - Rear)