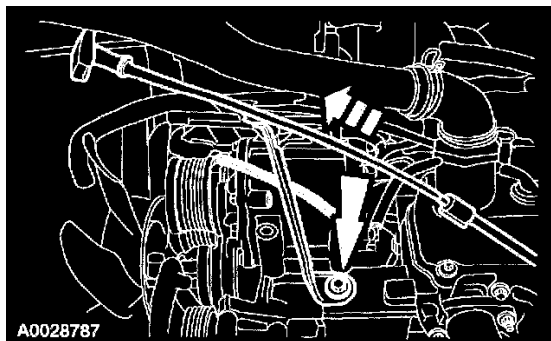


## Exhaust Manifold: Service and Repair

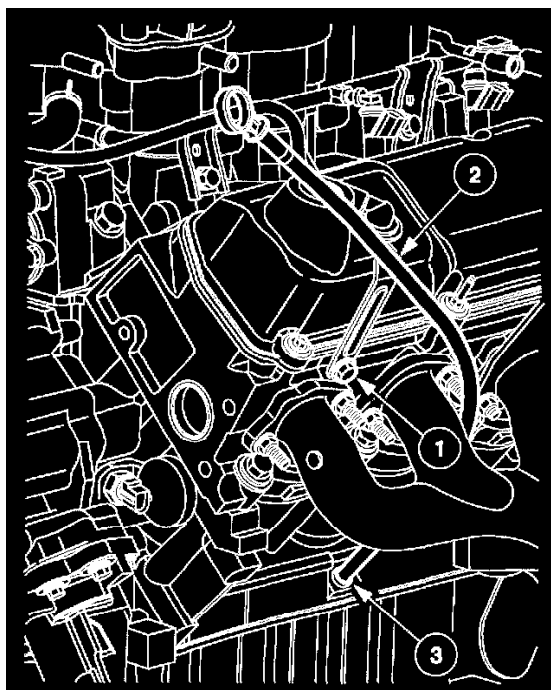
### Exhaust Manifold LH

#### Exhaust Manifold LH

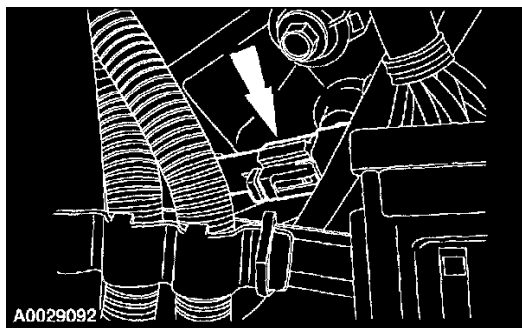
#### Removal



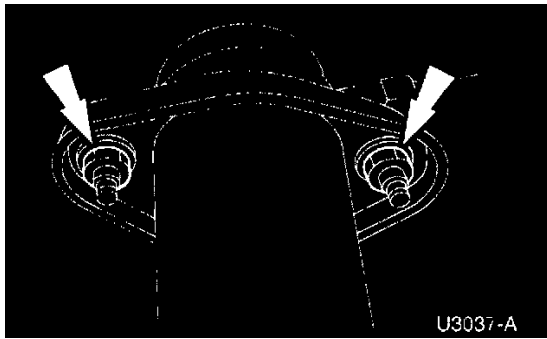
1. Remove the oil level indicator extension.



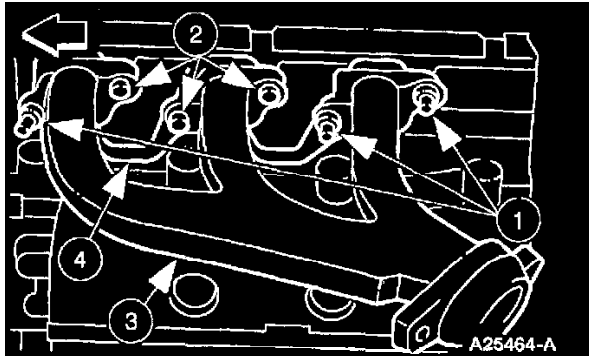
2. Remove the oil level indicator tube.
  - 1 Remove the nut.
  - 2 Remove the oil level indicator tube.
  - 3 Remove and discard the oil level indicator tube O-ring.
3. Raise and support the vehicle.
4. Remove the engine cover.



5. Disconnect the LH Heated Oxygen Sensor (**H02S**) electrical connector.



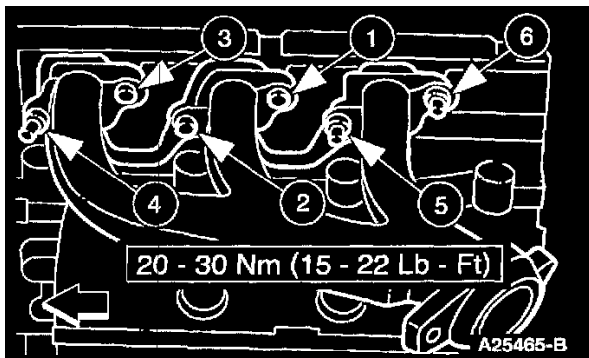
6. Remove the nuts and disconnect the Y-pipe from the LH exhaust manifold.



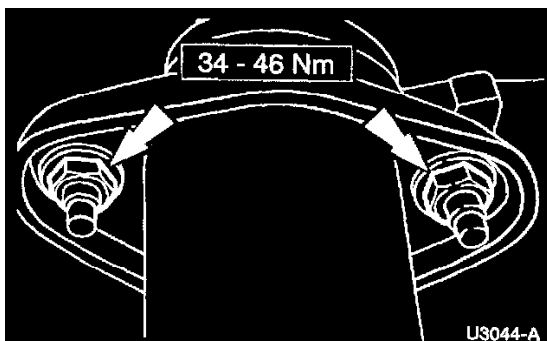
7. Remove the LH exhaust manifold and the LH exhaust manifold gasket.

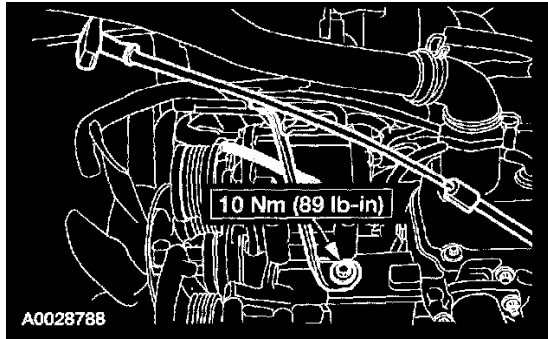
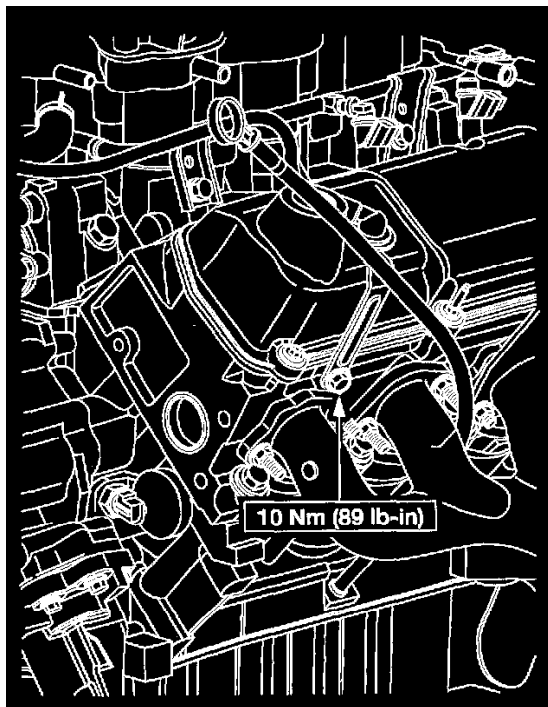
- 1 Remove the LH stud bolts.
- 2 Remove the LH bolts.
- 3 Remove the LH exhaust manifold.
- 4 Remove and discard the LH exhaust manifold gasket.

**Installation**



**LH**





1. **NOTE:** Use a new gasket.

**NOTE:** Tighten in the sequence shown.

To install, reverse the removal procedure.