

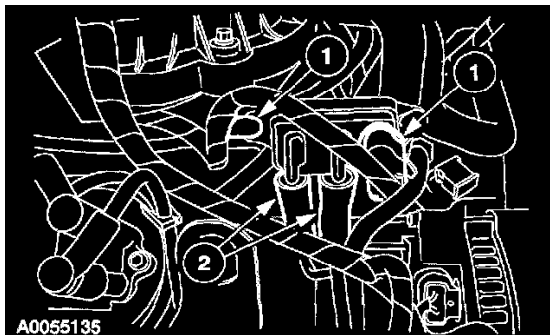
Exhaust Manifold: Service and Repair

Exhaust Manifold RH

Exhaust Manifold RH

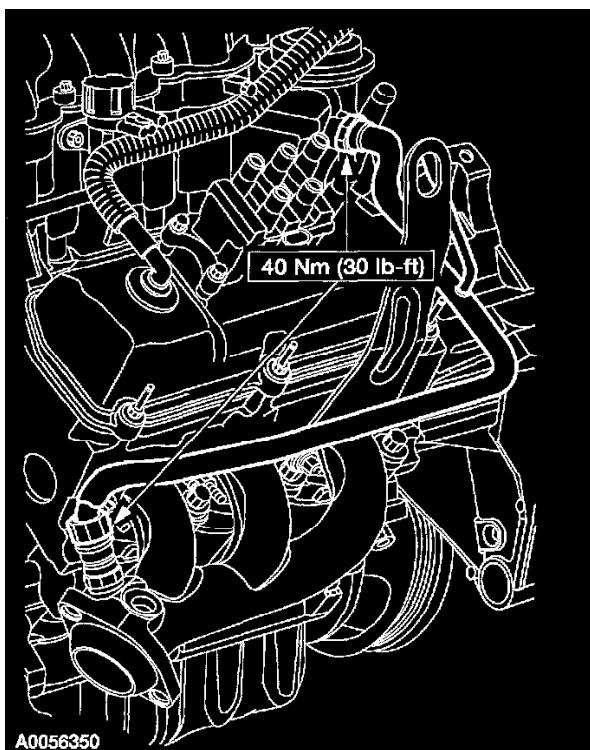
Removal and Installation

1. Remove the engine cover.

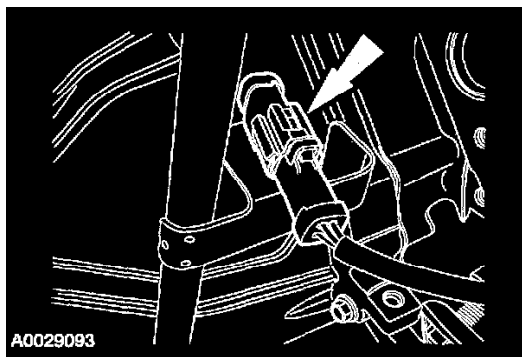


2. Remove the differential pressure feedback Exhaust Gas Recirculation (EGR) system.

1. Disconnect the electrical connector and the wiring harness pin-type retainer.
2. Remove the system vacuum hoses from the EGR tube.

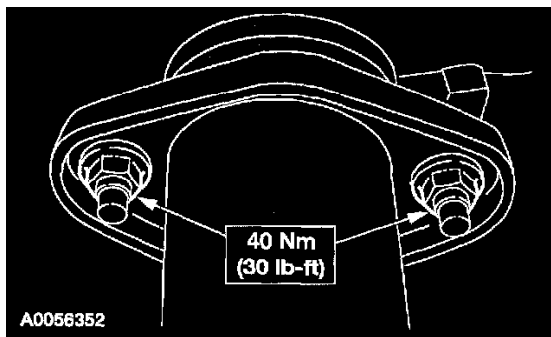


3. Remove the exhaust manifold-to-EGR valve tube.

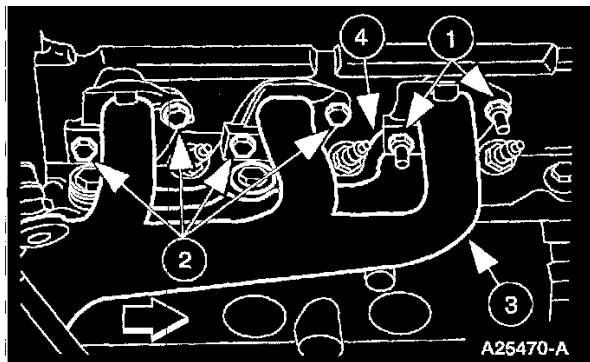


4. Disconnect the RH Heated Oxygen Sensor (H02S) electrical connector.

5. Raise and support the vehicle.

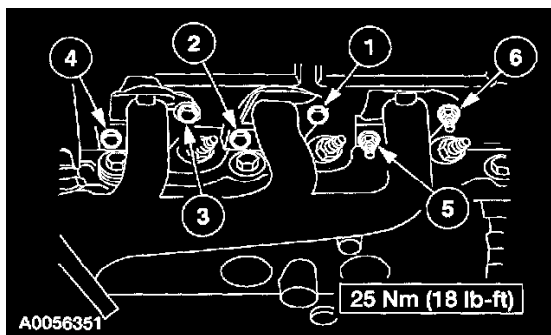


6. Disconnect the exhaust Y-pipe from the RH exhaust manifold.



7. Remove the RH exhaust manifold and the RH exhaust manifold gasket.

- 1 Remove the stud bolts.
- 2 Remove the bolts.
- 3 Remove the RH exhaust manifold.
- 4 Remove and discard the RH exhaust manifold gasket.



RH

8. **NOTE:** Use a new exhaust manifold gasket.

To install, reverse the removal procedure. Tighten the exhaust manifold retainers in the sequence shown.