

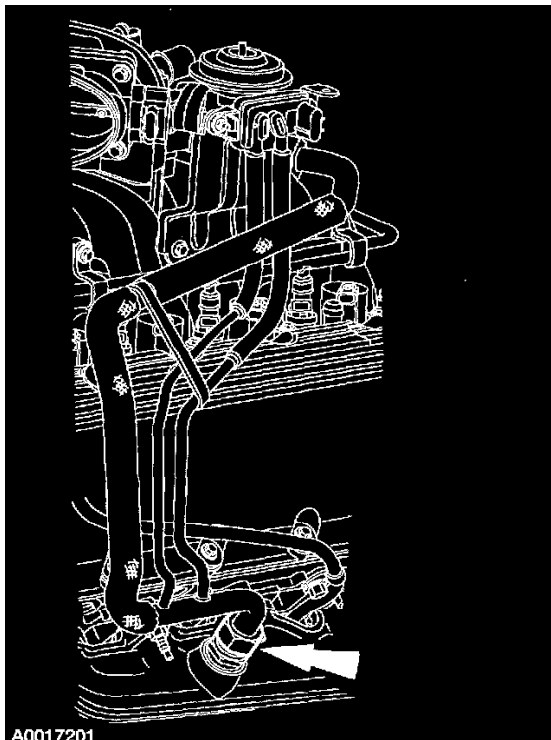
Exhaust Manifold: Service and Repair

LH

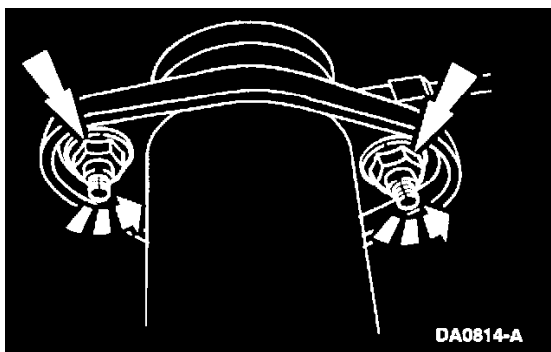
Exhaust Manifold-LH

Removal

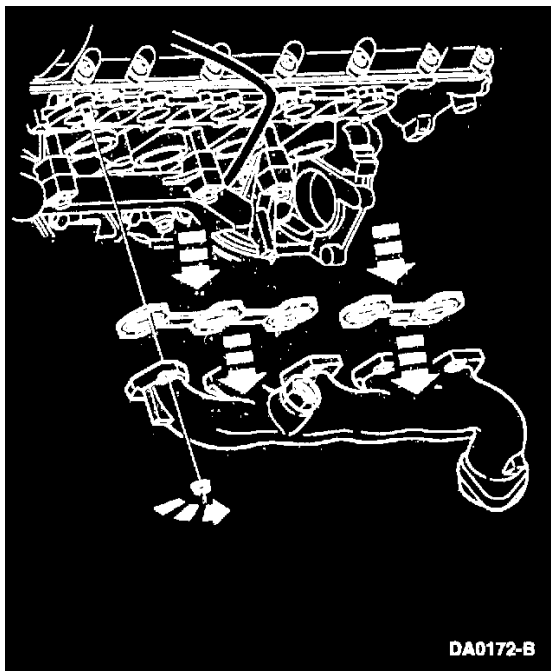
1. Raise and support the vehicle.



2. Disconnect the EGR-to-exhaust manifold tube lower fitting.

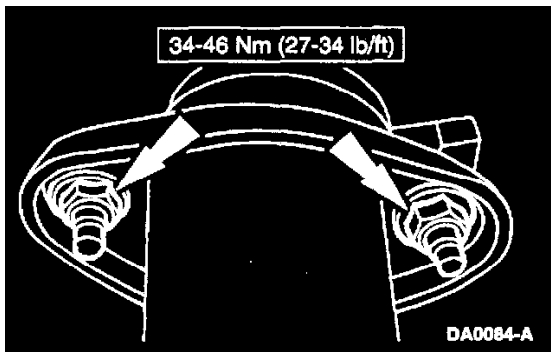
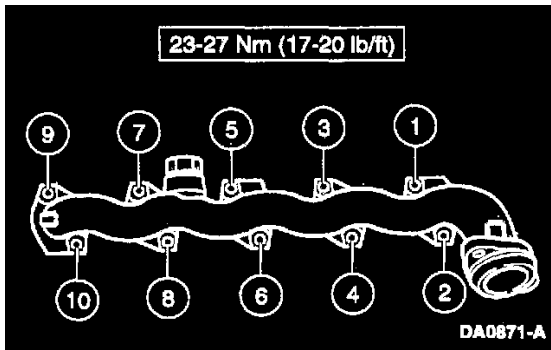


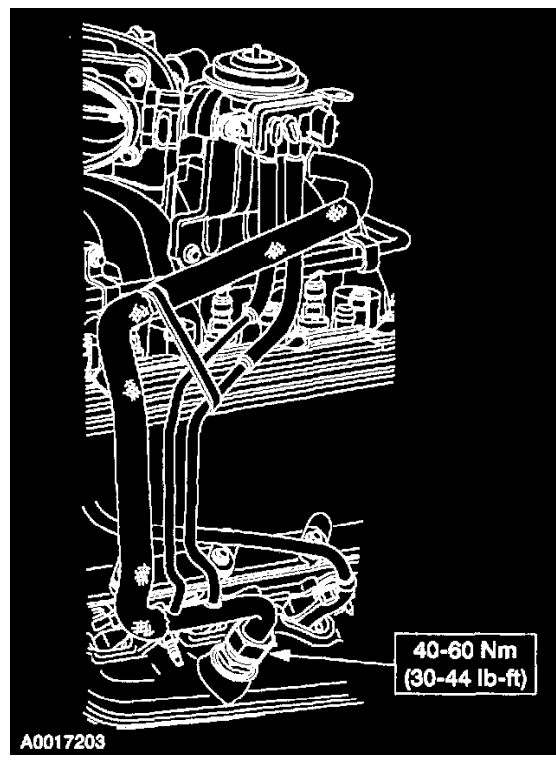
3. Remove the nuts.



4. Remove the exhaust manifold nuts and the exhaust manifold. Discard the exhaust manifold gaskets.
5. Clean and inspect the exhaust manifold.

Installation





1. To install, reverse the removal procedure.