

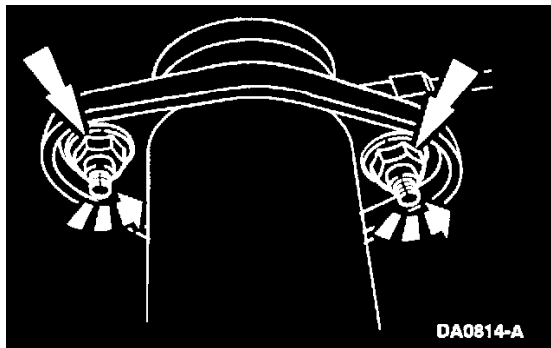
Exhaust Manifold: Service and Repair

RH

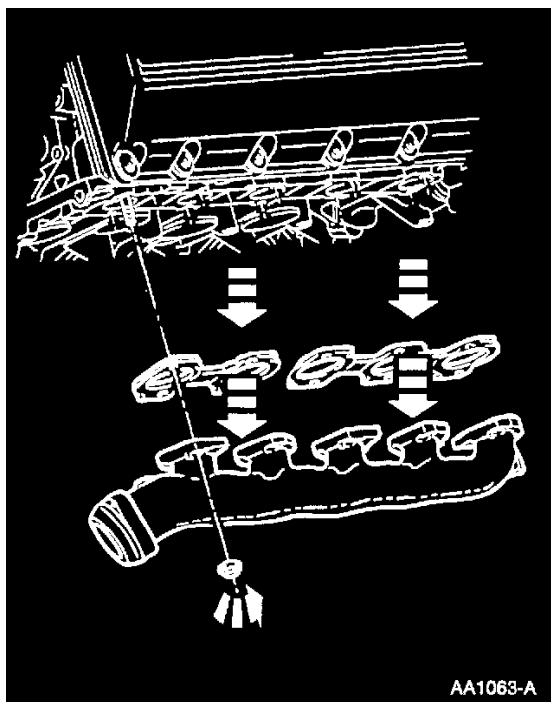
Exhaust Manifold-RH

Removal

1. Raise and support the vehicle.

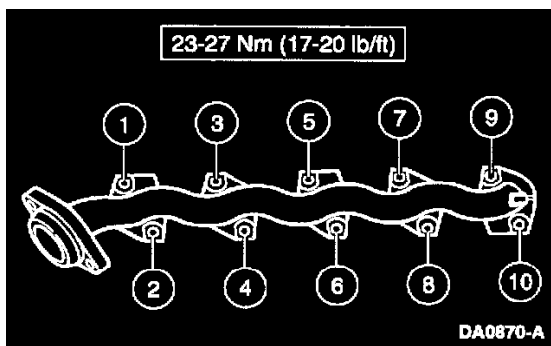


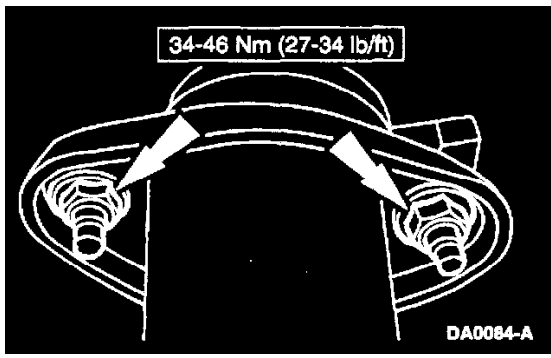
2. Remove the nuts.



3. Remove the ten nuts and the exhaust manifold and exhaust manifold gasket. Discard the exhaust manifold gasket.
4. Clean and inspect the exhaust manifold.

Installation





1. To install, reverse the removal procedure.