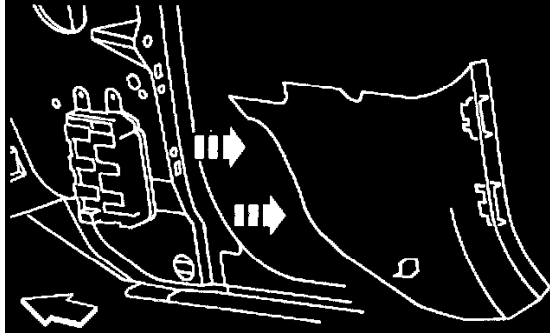


Inertia Fuel Shutoff Switch: Service and Repair

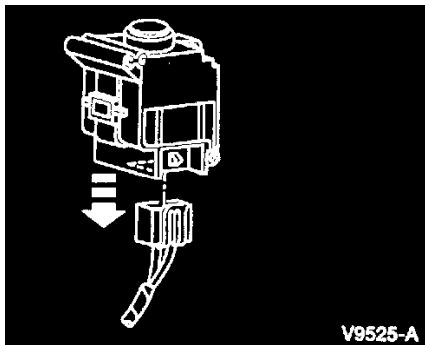
REMOVAL

1. Disconnect the battery ground cable.

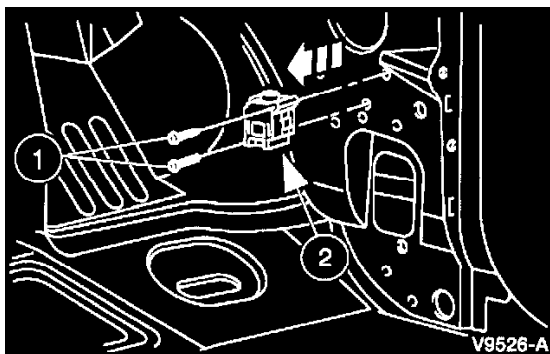
NOTE: When the battery is disconnected and reconnected, some abnormal drive symptoms may occur while the vehicle relearns its adaptive strategy. The vehicle may need to be driven 16 km (10 mi) or more to relearn the strategy.



2. Remove the RH cowl side trim panel.

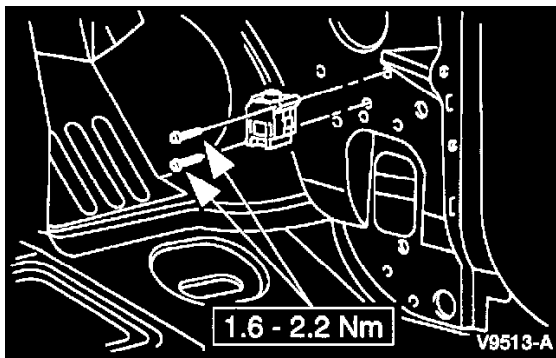


3. Disconnect the inertia fuel shutoff switch electrical connector.



4. Remove the inertia fuel shutoff switch.
 - 1 Remove inertia switch bolts.
 - 2 Remove the inertia fuel shutoff switch.

INSTALLATION



To install, reverse the removal procedure.