

# Oxygen Sensor: Service and Repair

## HEATED OXYGEN SENSOR (HO2S)

### Special Tool(s)

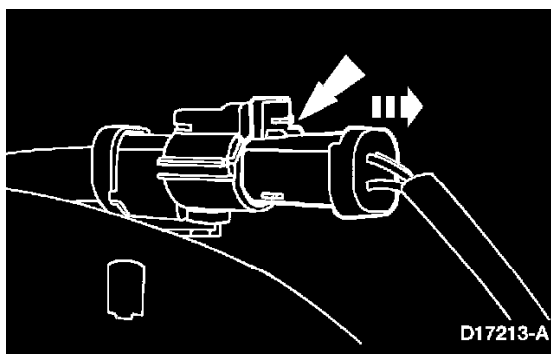


### Socket, Exhaust Gas Oxygen Sensor

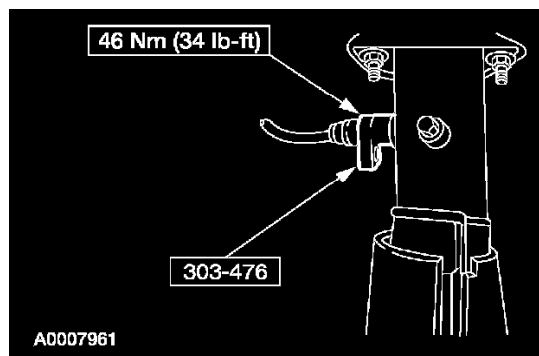
### Special Tool(s)

#### Removal and Installation

1. With the vehicle in NEUTRAL, position it on a hoist.
2. Disconnect the battery ground cable.



3. Disconnect the heated oxygen sensor (HO2S) electrical connector.



4. Using the special tool, remove the HO2S.
5. To install, reverse the removal procedure.