

Battery Cable: Service and Repair

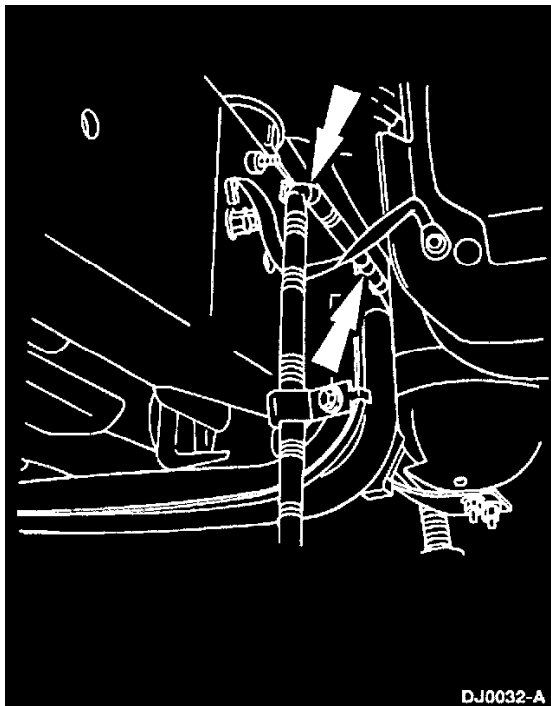
Auxiliary

REMOVAL

1. Disable the vehicle electrical supply.

CAUTION: Failure to accurately follow the battery disconnect procedures will result in vehicle or component damage.

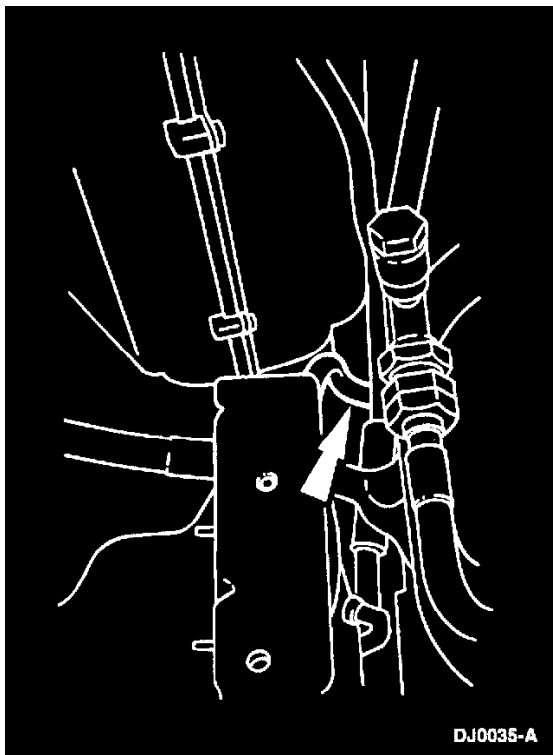
2. Disconnect the primary battery positive cable, and remove the hold-down wedge and the primary battery. Remove the auxiliary battery.
3. Remove the four bolts retaining the battery tray and remove the battery tray.



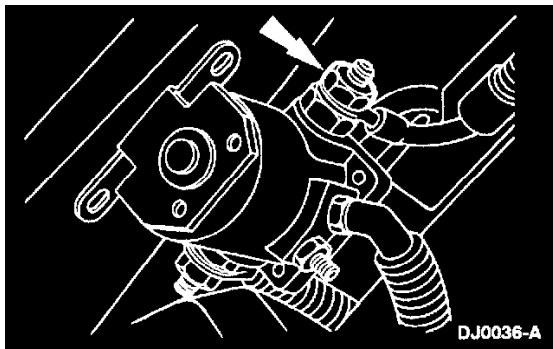
4. Remove three rear harness locators, two to the rear of the vacuum reservoir and one to the front of the vacuum reservoir, along the RH frame rail.
5. Pull the harness through the vacuum reservoir and the frame.



6. Remove three front harness locators, along the RH frame rail, and pull the harness through the front body mounting point.

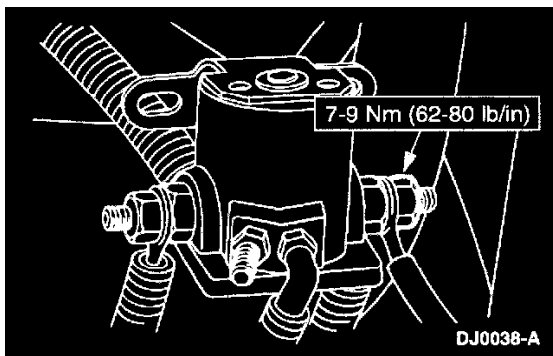


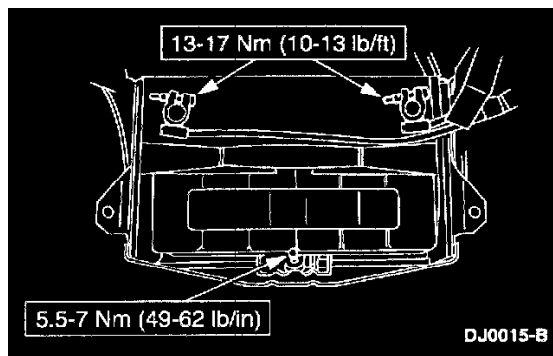
7. Remove the engine compartment harness locator.



8. Remove the nut and disengage the harness eyelet.
9. Pull the harness out from the engine compartment.

INSTALLATION





1. Follow the removal procedure in reverse order.

CAUTION: Failure to accurately follow the battery reconnect procedures will result in vehicle or component damage.

NOTE: When the battery has been disconnected and reconnected, some abnormal drive symptoms may occur while the powertrain control module relearns its adaptive strategy. The vehicle may need to be driven **16 km (10 miles)** or more to relearn the strategy.