

Parking Brake System: Service and Repair

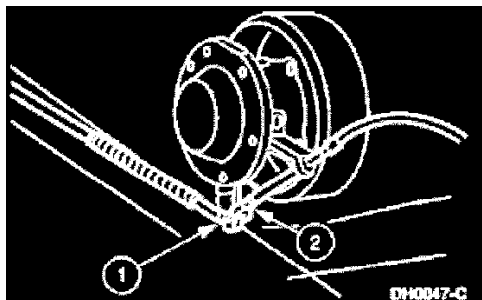
Parking Brake, Transmission Mounted

Removal

1. **NOTE:** The parking brake control must be fully released.

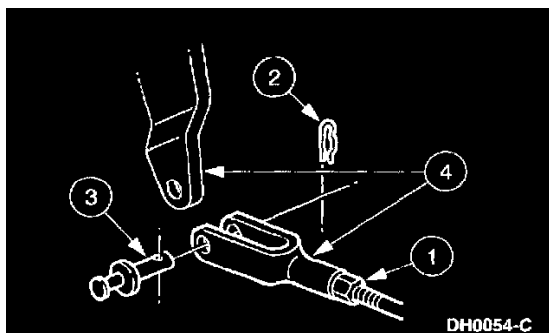
Put the transmission in gear and release the parking brake control.

2. With the vehicle in NEUTRAL, position on a hoist.



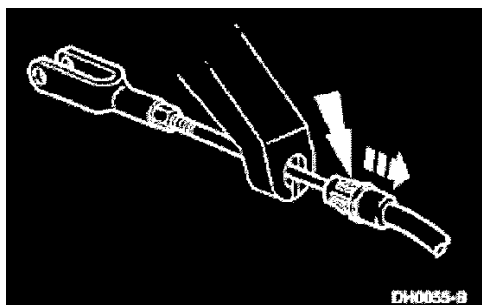
3. Disconnect and lubricate.

- 1 Disconnect the parking brake lever return spring from the parking brake lever.
- 2 Apply lubricant to the adjusting clevis, jam nut and the threads of the front parking brake cable and conduit.

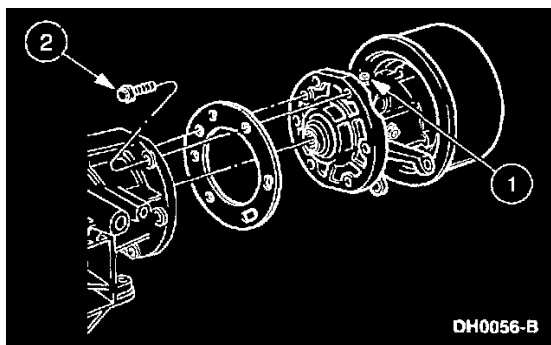


4. Disconnect the front parking brake cable and conduit.

- 1 Loosen the jam nut.
- 2 Remove the clevis pin locking pin.
- 3 Remove the clevis pin.
- 4 Remove the adjusting clevis from the parking brake lever.



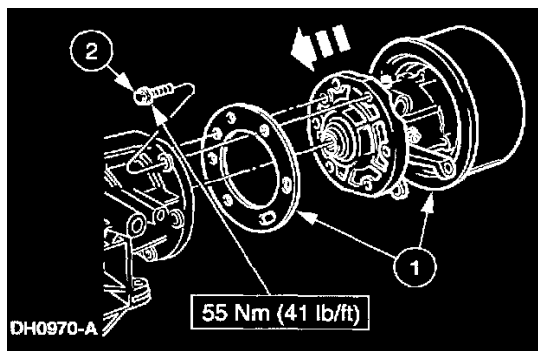
5. Compress the retainer and remove the front parking brake cable and conduit from the cable bracket.
6. Remove the driveshaft.



7. Remove the parking brake assembly.

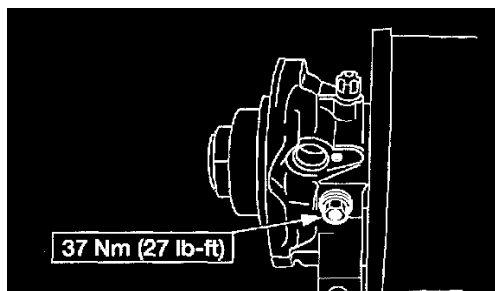
- 1 Keep the parking brake vent upward to prevent contamination of the parking brake shoes and linings.
- 2 Remove the six bolts, the parking brake assembly and the gasket from the transmission extension housing.
 - ^ Discard the bolts and the gasket.

Installation



1. Mount the parking brake assembly.

- 1 Position the parking brake and a new gasket on the transmission extension housing.
- 2 Install and tighten six new transmission-to-parking brake bolts.

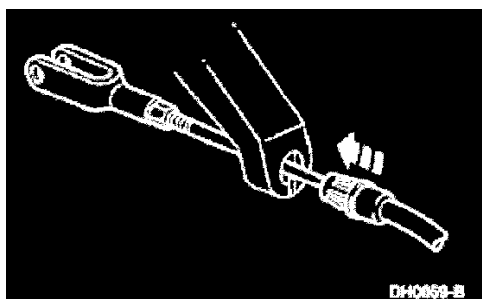


2. **CAUTION:** If installing a new parking brake assembly, fill with clean automatic transmission fluid after mounting to the transmission extension housing.

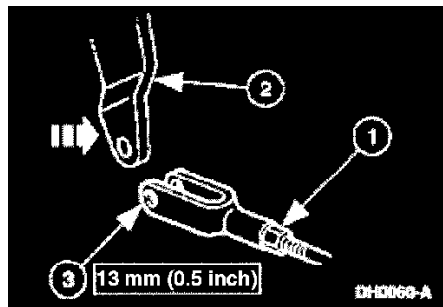
Check and, if necessary, fill the parking brake assembly with clean automatic transmission fluid to the bottom of the filler plug hole.

^ If necessary, replace and tighten the filler plug.

3. Install the driveshaft.

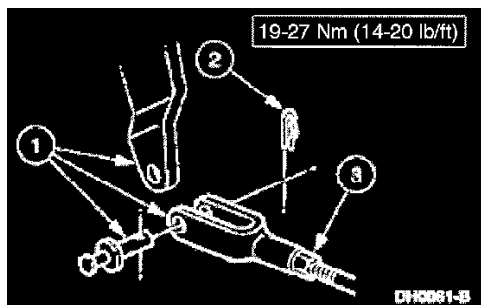


4. Position the front parking brake cable and conduit and press the retainer into the cable bracket until it snaps into place.



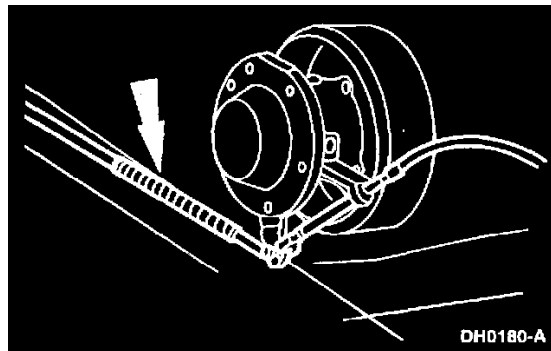
5. Set adjusting clevis.

- 1 Loosen the jam nut several turns.
- 2 Position the parking brake lever in the applied position.
- 3 Tighten or loosen the adjusting clevis until the adjusting clevis hole lines up with the parking brake lever hole, and then loosen the adjusting clevis.



6. Install the pins and tighten the jam nut.

- 1 Install the clevis pin through the adjusting clevis and the parking brake lever.
- 2 Install the locking pin in the clevis pin.
- 3 Tighten the jam nut.



7. Install the parking brake lever return spring.
8. Lower the vehicle.
9. Test the parking brake.