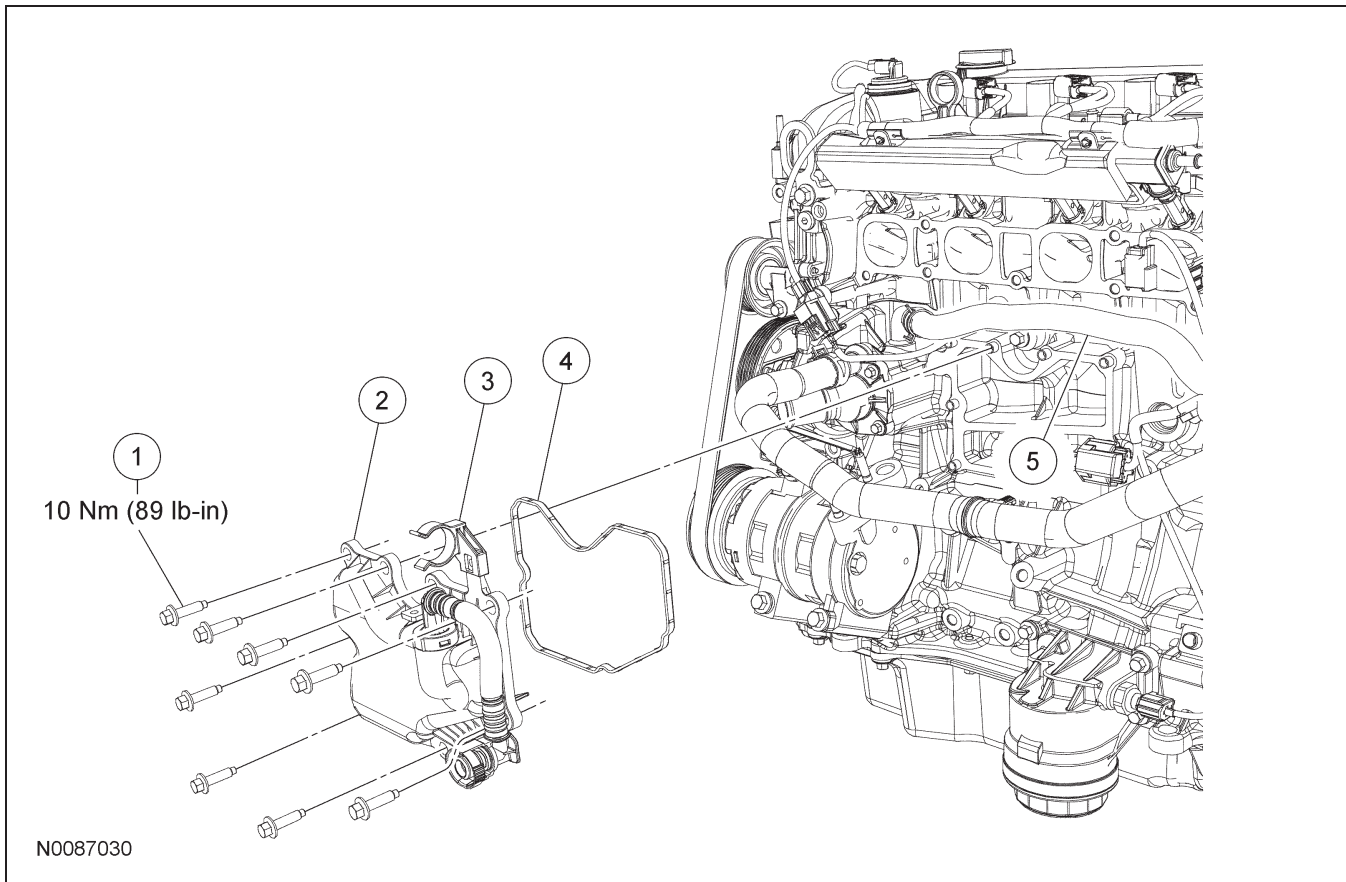


## REMOVAL AND INSTALLATION

### Crankcase Vent Oil Separator



Item	Part Number	Description
1	W500214	Crankcase vent oil separator bolt (8 required)
2	6A785	Crankcase vent oil separator
3	—	Coolant bypass hose clip (part of 9A785)
4	6B752	Crankcase vent oil separator gasket
5	8548	Coolant bypass hose

#### Removal and Installation

1. Remove the intake manifold. For additional information, refer to Section 303-01A.

2. Release the coolant bypass hose from the clip.
3. **NOTE:** Remove and discard the crankcase vent oil separator gasket.  
Remove the 8 bolts, the crankcase vent oil separator.
  - To install, tighten to 10 Nm (89 lb-in).
4. To install, reverse the removal procedure.
  - Clean and inspect the sealing surfaces.
  - Install a new crankcase vent oil separator gasket.