

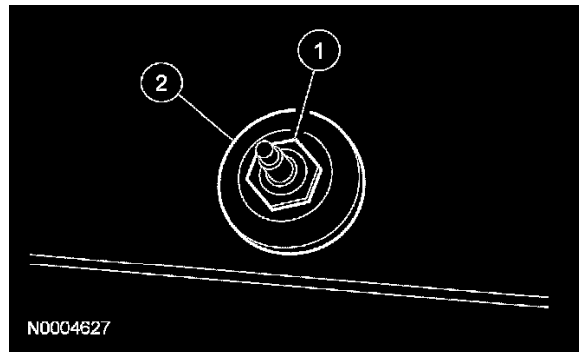
Wiper Motor: Service and Repair

Wiper Motor - Rear Window

WIPER MOTOR - REAR WINDOW

Removal and Installation

1. Remove the rear wiper pivot arm.

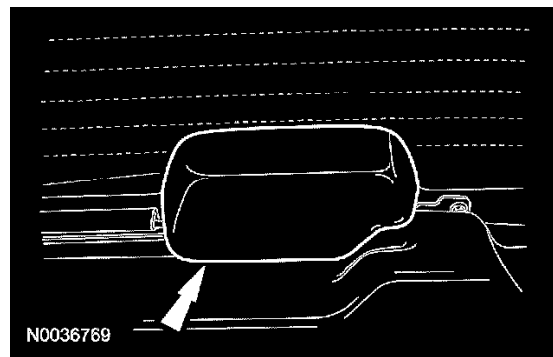


2. Remove the rear window wiper motor grommet.

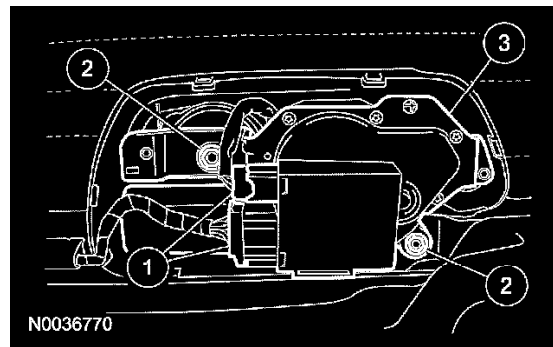
1. Remove the pivot shaft nut.
 - To install, tighten to **10 Nm (89 lb-in)**.

2. Remove the grommet.

3. Open the liftgate window.



4. Remove the wiper motor cover trim panel.



5. Remove the rear window wiper motor.

1. Disconnect the electrical connectors.
2. Remove the 2 rear window wiper motor nuts.
 - To install, tighten to **6 Nm (53 lb-in)**.

3. Remove the rear window wiper motor.

6. To install, reverse the removal procedure.