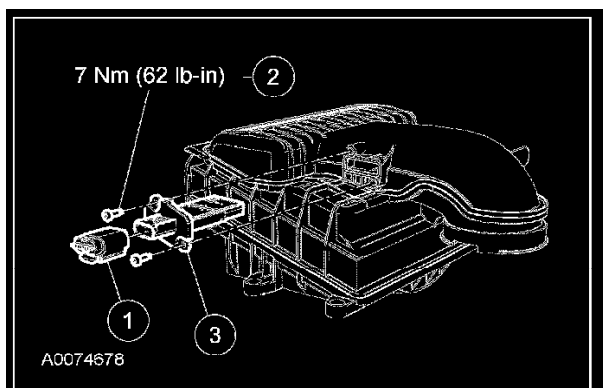


Air Flow Meter/Sensor: Service and Repair

MASS AIR FLOW (MAF) SENSOR



Item	Description
1	Mass air flow (MAF) sensor electrical connector
2	MAF sensor bolt (2 required)
3	MAF sensor

Removal and Installation

1. Disconnect the battery ground cable.
2. Disconnect the mass air flow (MAF) sensor electrical connector.
3. Remove the bolts and the MAF sensor.
 - To install, tighten to **7 Nm (62 lb-in)**.
4. To install, reverse the removal procedure.