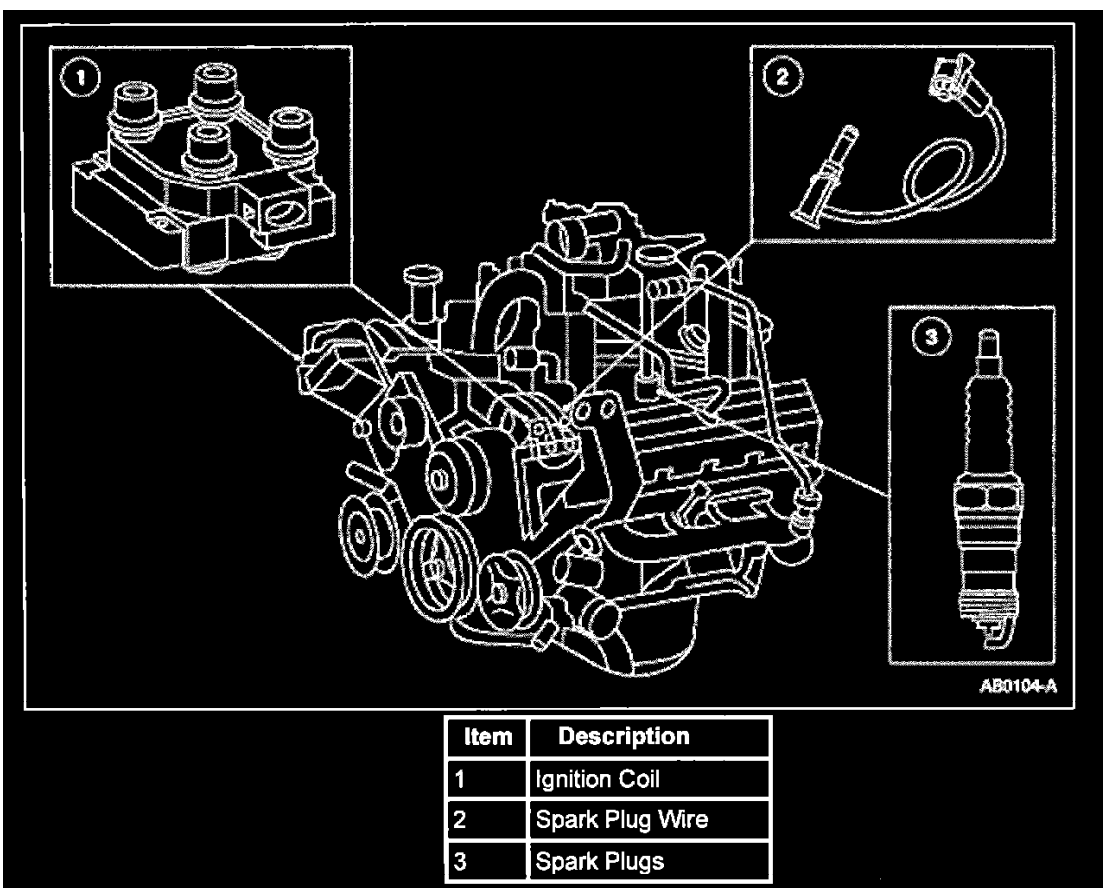
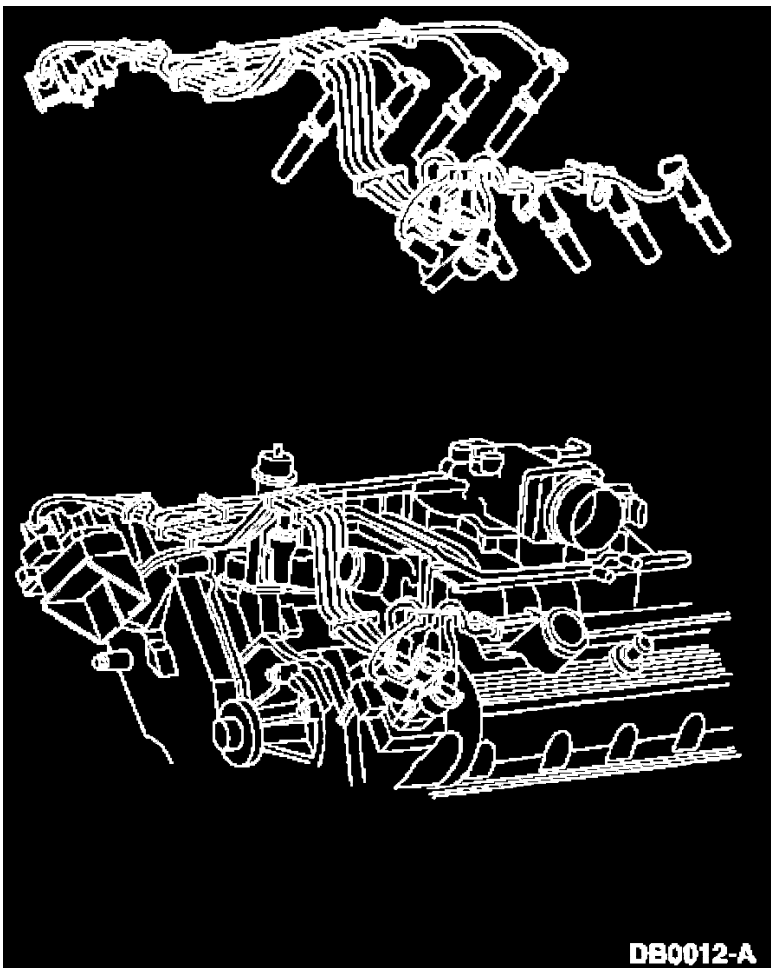


# Ignition Coil: Mechanical Diagrams

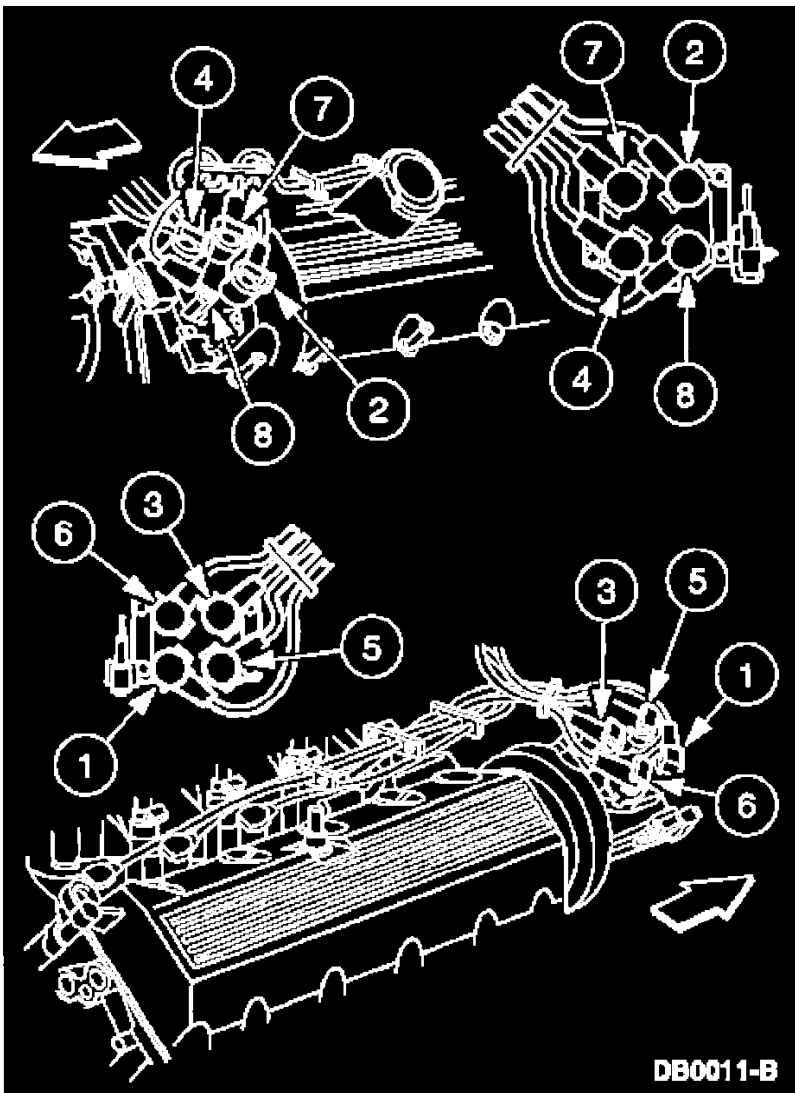
The RH (Passenger's) side ..... Cylinders 1, 2, 3, and 4

The LH (Driver's side) ..... Cylinders 5, 6, 7 and 8





DB0012-A



Firing Order 1-3-7-2-6-5-4-8