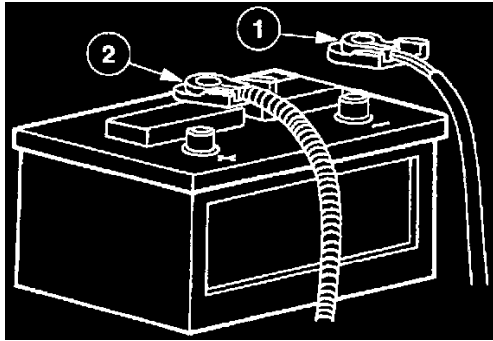


Dashboard / Instrument Panel: Service and Repair

Removal

REMOVAL

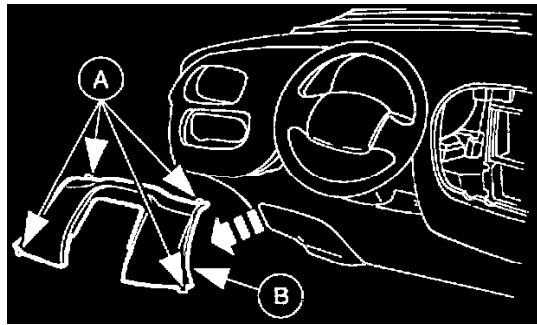
1. If equipped with power seats, move the seat fully rearward.



2. Disconnect the battery cables.

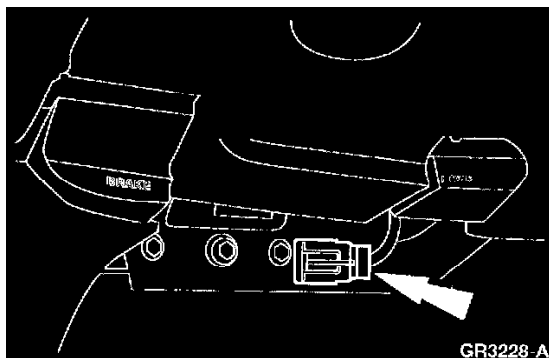
1. Disconnect the battery ground cable.
2. Disconnect the battery to starter relay cable and wait **one minute** for the backup power supply to be depleted.

WARNING: TO AVOID ACCIDENTAL DEPLOYMENT AND POSSIBLE INJURY, THE BACKUP POWER SUPPLY MUST BE DEPLETED BEFORE REPAIRING OR REPLACING ANY AIR BAG SYSTEM COMPONENTS. TO DEplete THE BACKUP POWER SUPPLY ENERGY, DISCONNECT THE BATTERY TO STARTER RELAY CABLE AND WAIT ONE MINUTE.



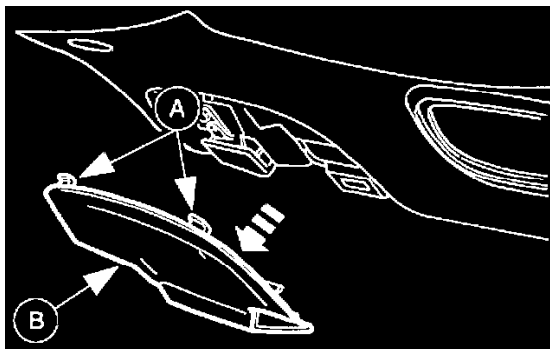
3. Carefully pry to release the (A) clips and remove the (B) steering column opening cover.

NOTE: On vehicles equipped with automatic transmissions, move the shift lever to the 1 position to ease removal.

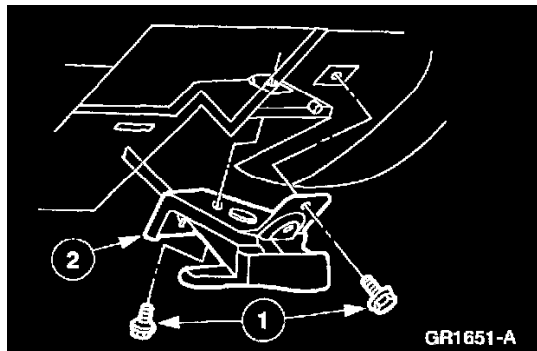


4. Position the electrical connector aside.

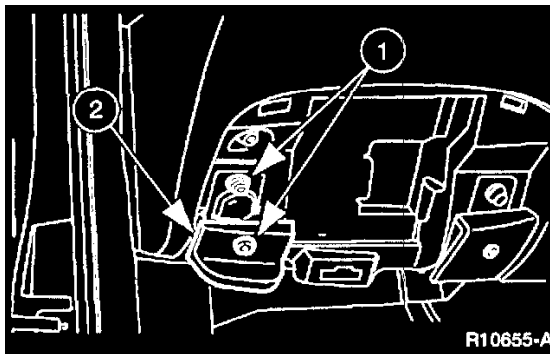
- ^ Release the push clip from the lower instrument panel steering column cover.



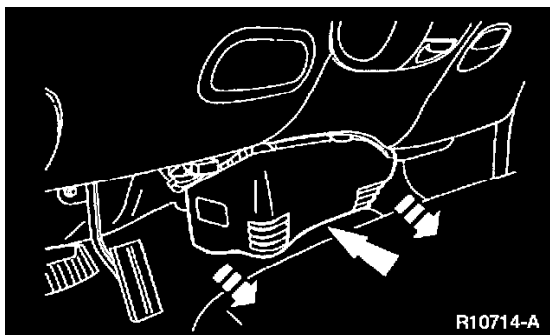
5. Pull to release the three (A) clips and remove the (B) fuse door.



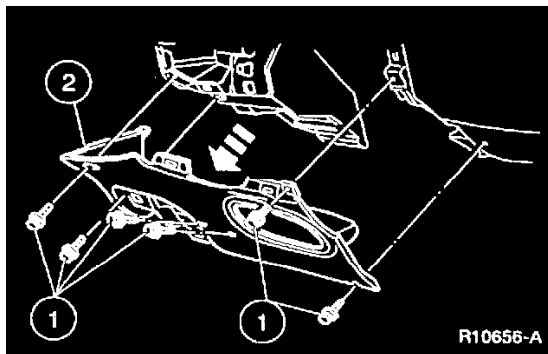
6. Position the hood latch release handle aside.
 - 1 Remove the screws.
 - 2 Position the hood latch release handle aside.



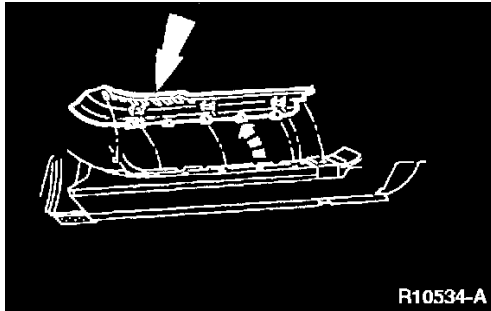
7. Position the parking brake release handle aside.
 - 1 Remove the screws.
 - 2 Position the parking brake release handle aside.



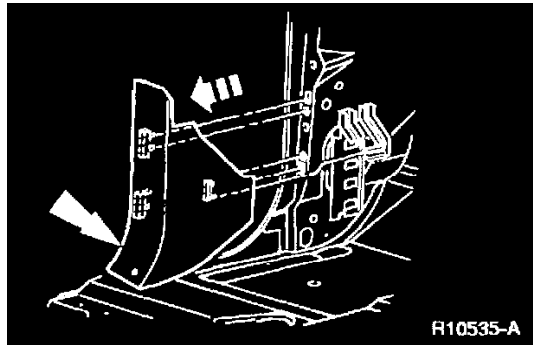
8. If equipped, remove the instrument panel floor duct panel.
 - ^ Remove the two push clips and release the expander clip.



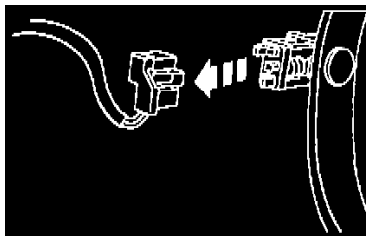
9. Remove the lower instrument panel steering column cover.
 - 1 Remove the bolts.
 - 2 Remove the lower instrument panel steering column cover.



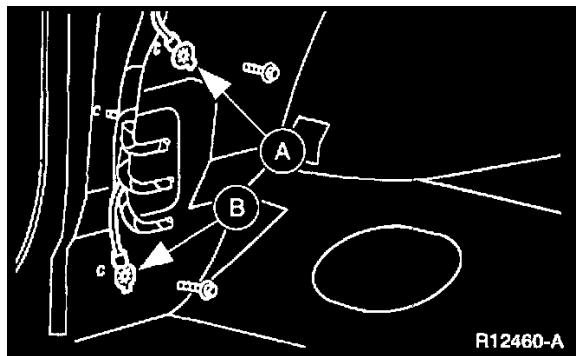
10. Remove the LH and RH scuff plates.



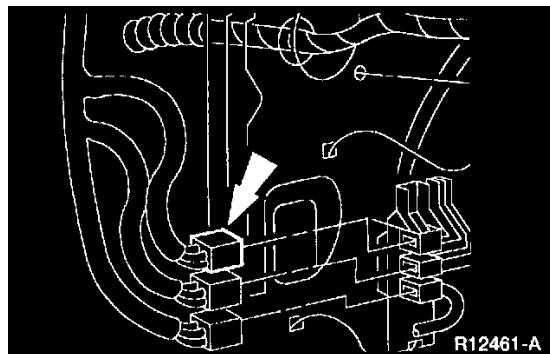
11. Remove the LH and RH cowl side trim panels.



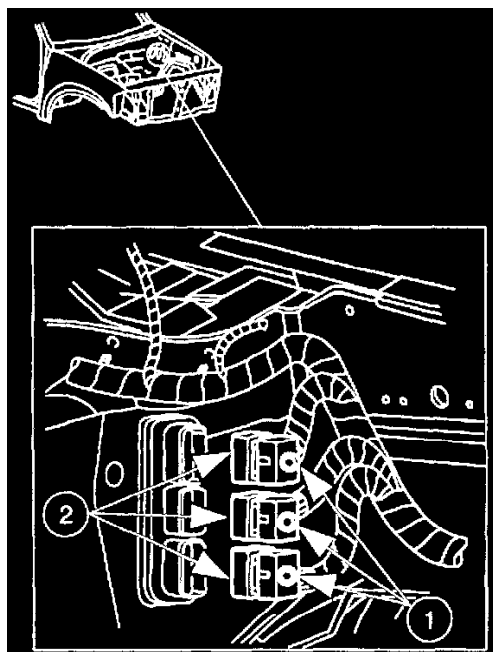
12. Disconnect the Brake Pedal Position (BPP) switch electrical connector.



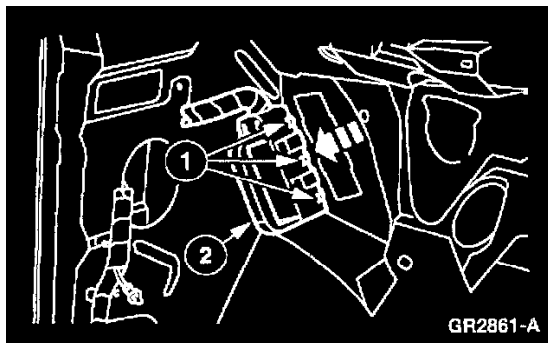
13. Remove the (A) radio ground and the (B) GEM/CTM ground bolts.



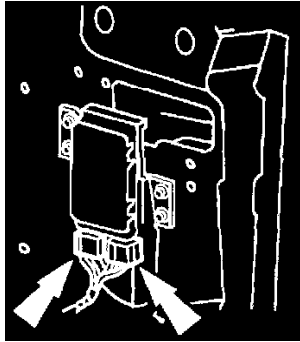
14. Disconnect the LH instrument panel main harness connectors.



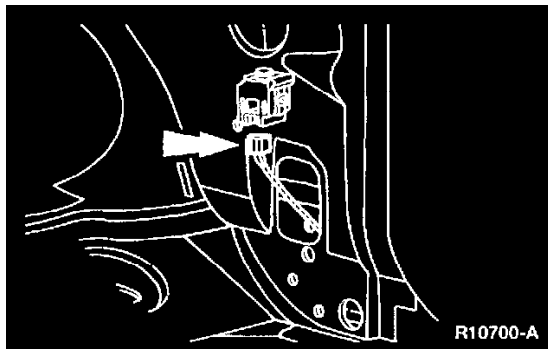
15. Remove the bulkhead wiring harness electrical connectors from inside the engine compartment.
- 1 Loosen the bolts.
 - 2 Disconnect the bulkhead electrical connectors.



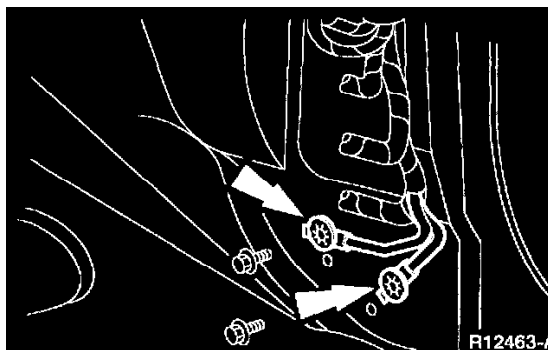
16. Remove the bulkhead electrical connector from the dash panel.
- 1 Release the six locking tabs.
 - 2 Remove the bulkhead connector from the dash panel.



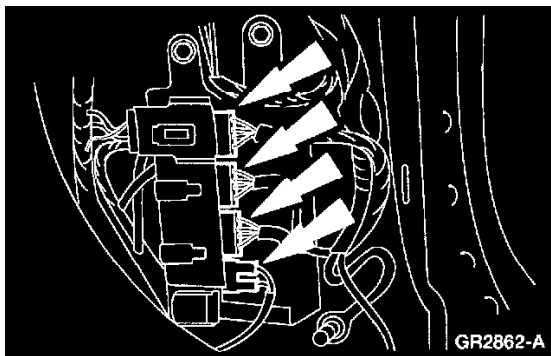
17. Disconnect the air bag diagnostic monitor electrical connectors.



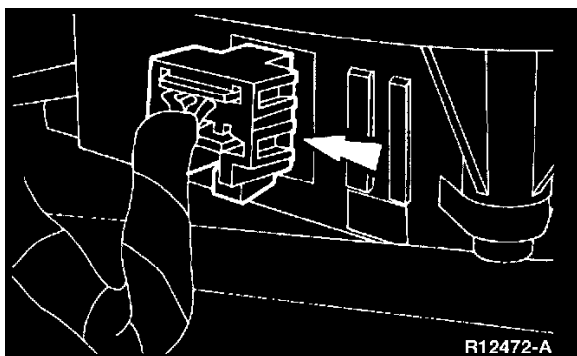
18. Disconnect the inertia fuel shutoff switch electrical connector.



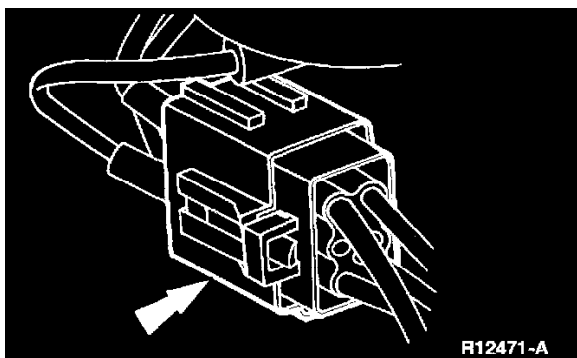
19. Remove the RH ground bolts.



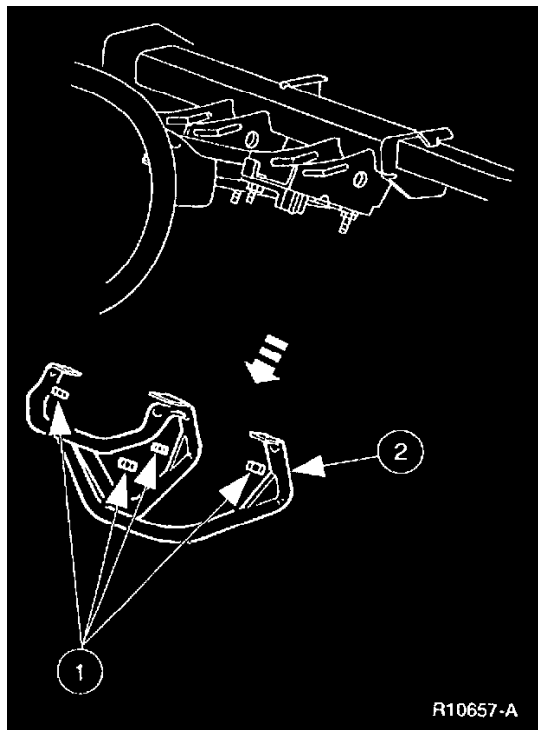
20. Disconnect the RH instrument panel main harness connectors.



21. Disconnect the electronic blend door actuator electrical connector.

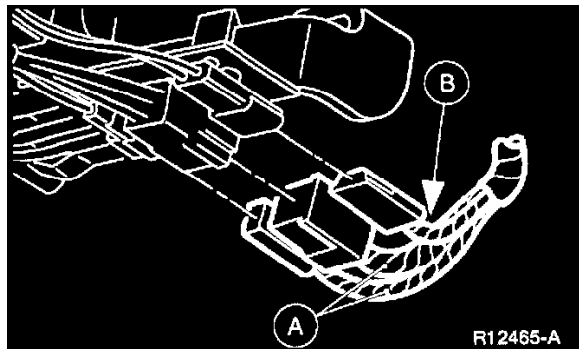


22. Disconnect the climate control head vacuum harness connector.

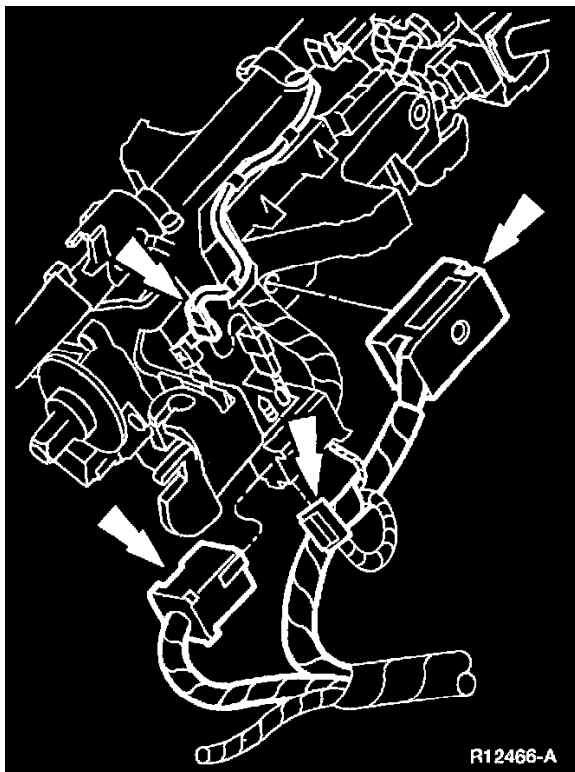


23. Remove the instrument panel steering column opening cover reinforcement.

- 1 Remove the nuts.
- 2 Remove the instrument panel steering column opening cover reinforcement.

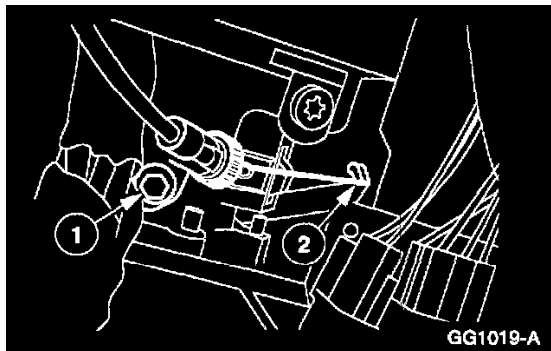


24. Disconnect the (A) air bag sliding contact electrical connectors and the (B) anti-theft sensor electrical connector.



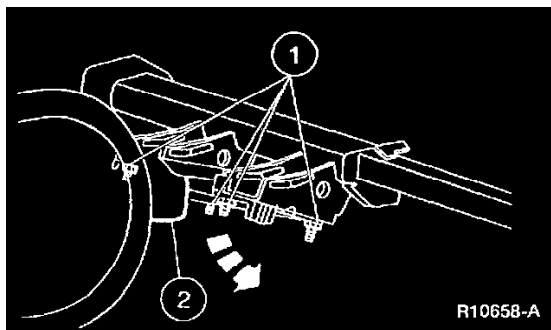
R12466-A

25. Disconnect the remaining electrical connectors on the steering column.



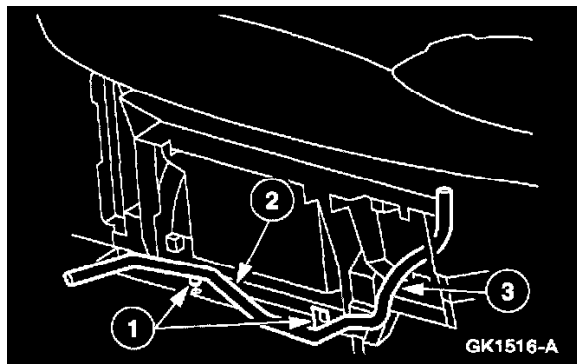
GG1019-A

26. If equipped, disconnect the transmission range indicator from the steering column.
- 1 Remove the bolt.
 - 2 Disconnect the cable.

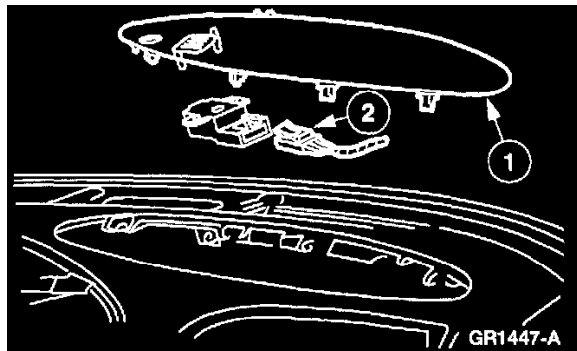


R10658-A

27. Lower the steering column.
- 1 Remove the nuts.
 - 2 Lower the steering column.
28. Remove the radio chassis.

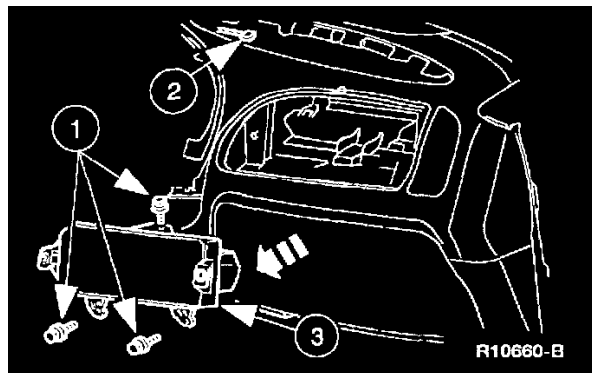


29. Remove the radio antenna lead in cable from the instrument panel.
- 1 Disconnect the cable clips from the lower metal instrument panel channel.
 - 2 Disconnect the cable clip between the instrument panel channel and the radio end of the cable.
 - 3 Remove the radio antenna lead in cable from the instrument panel.



30. Remove the instrument panel relay cover.
- 1 Remove the instrument panel relay cover.
 - 2 If equipped, disconnect the autolamp sensor electrical connector.

31. Remove the glove compartment.



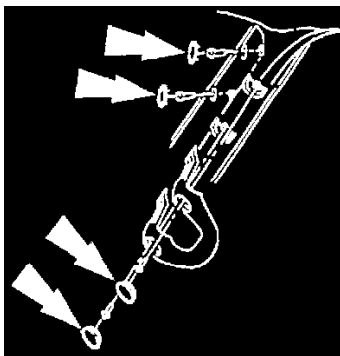
32. Remove the passenger side air bag module.
- 1 Remove the screws.
 - 2 Disconnect the electrical connector.
 - 3 Remove the passenger side air bag module.

WARNING:

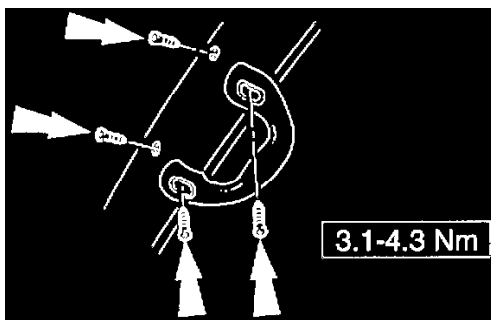
^ ALWAYS WEAR SAFETY GLASSES WHEN REMOVING AND HANDLING AN AIR BAG.

^ CARRY A LIVE AIR BAG WITH THE BAG AND TRIM COVER POINTED AWAY FROM YOUR BODY. AN ACCIDENTAL DEPLOYMENT WILL THEN DEPLOY WITH MINIMAL CHANCE OF INJURY.

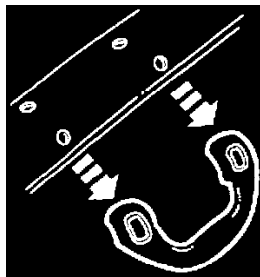
^ PLACE A LIVE AIR BAG ON A BENCH OR OTHER SURFACE WITH THE TRIM COVER UP.



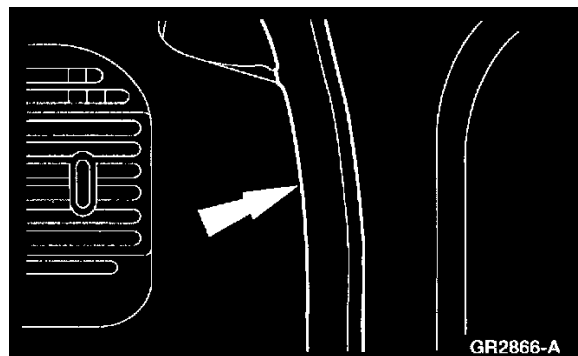
33. Remove the RH assist handle screw covers.



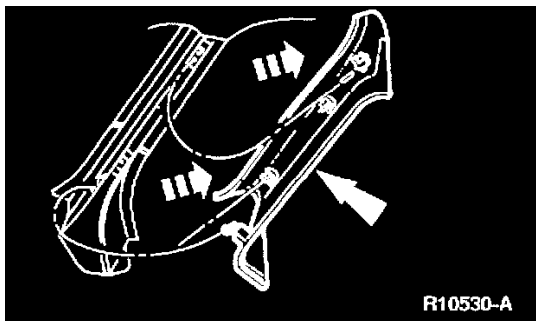
34. Remove the RH assist handle screws.



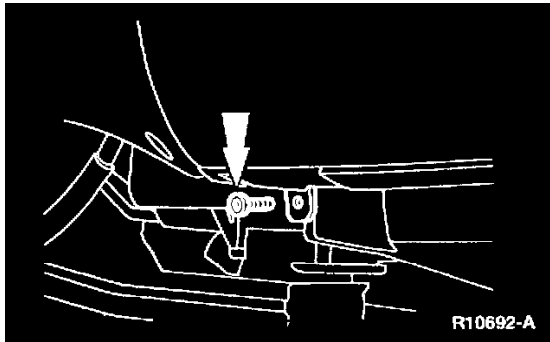
35. Remove the RH assist handle.



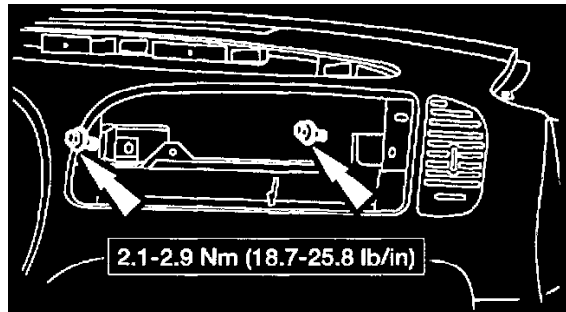
36. Position the LH and RH door weatherstrip seals aside.



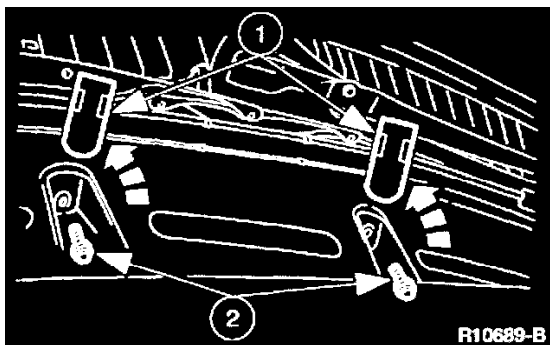
37. Remove the LH and RH windshield side garnish mouldings.



38. Remove the instrument panel reinforcement bolt below the LH corner of the glove compartment.

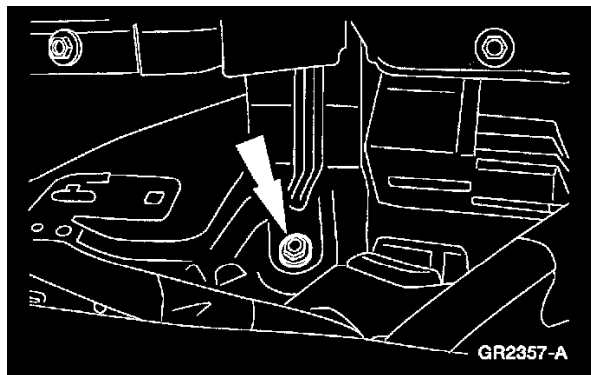


39. Remove the instrument panel bolts through the passenger side air bag module opening.

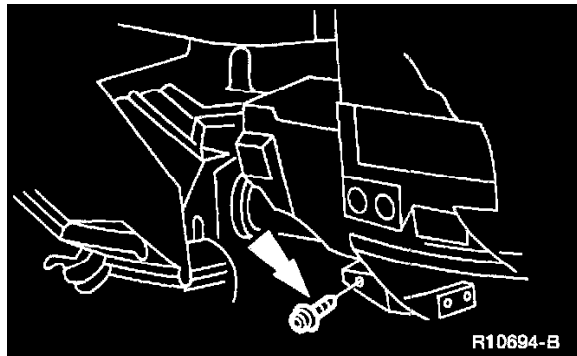


40. Remove the instrument panel cowl top bolts.

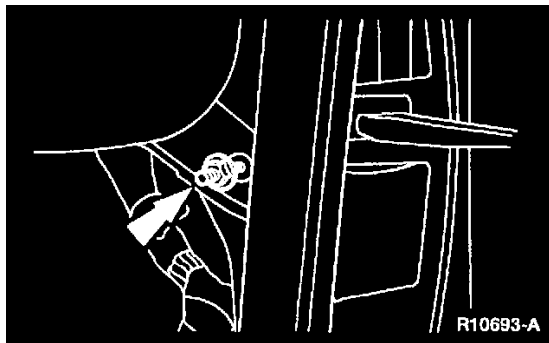
- 1 Remove the covers.
- 2 Remove the bolts.



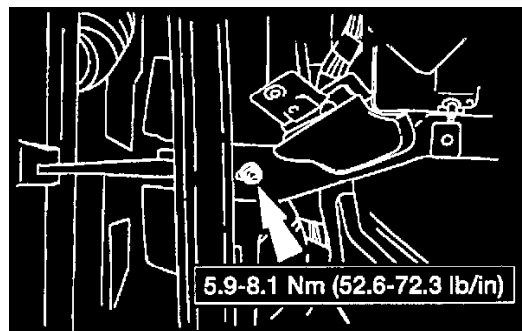
41. Remove the instrument panel bolt on the relay bracket.



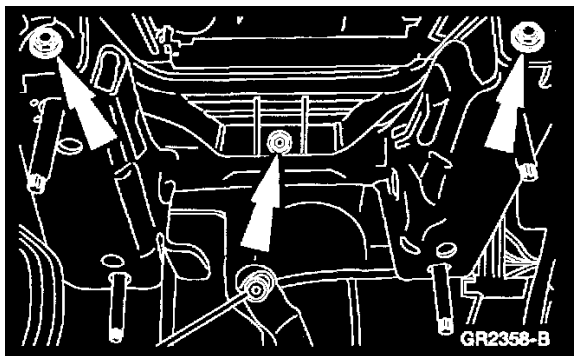
42. Remove the instrument panel reinforcement bolt below the LH corner of the cigar lighter and power point.



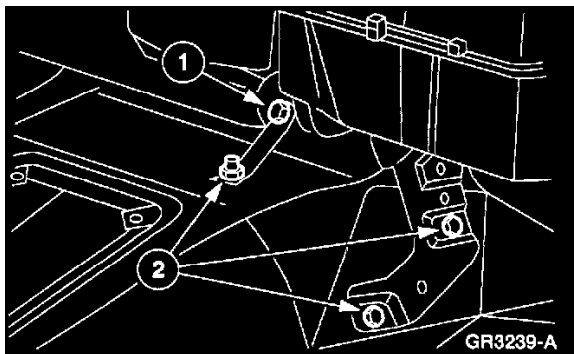
43. Remove the RH instrument panel cowl side nut.



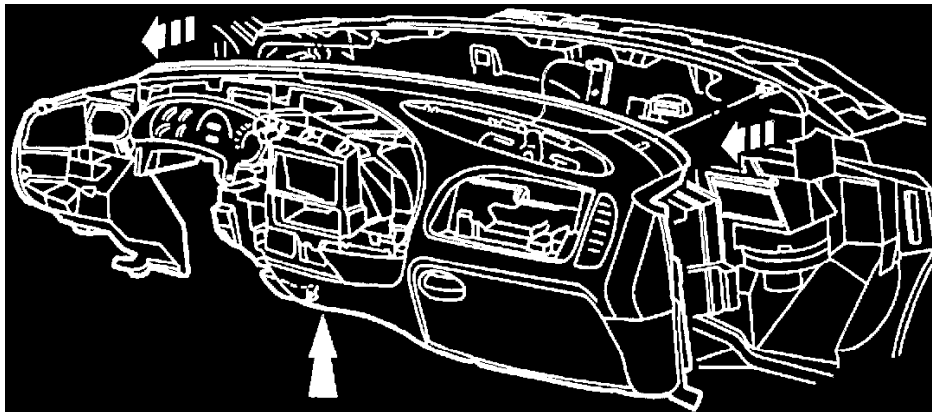
44. Remove the LH instrument panel cowl side nut.



45. Remove the instrument panel bolts through the steering column opening.



46. Loosen the instrument panel floor brace.
- 1 Remove the upper instrument panel floor brace bolt.
 - 2 Loosen the instrument panel brace bolts and nut.



47. Remove the instrument panel.

NOTE: Two technicians are required to perform this procedure.