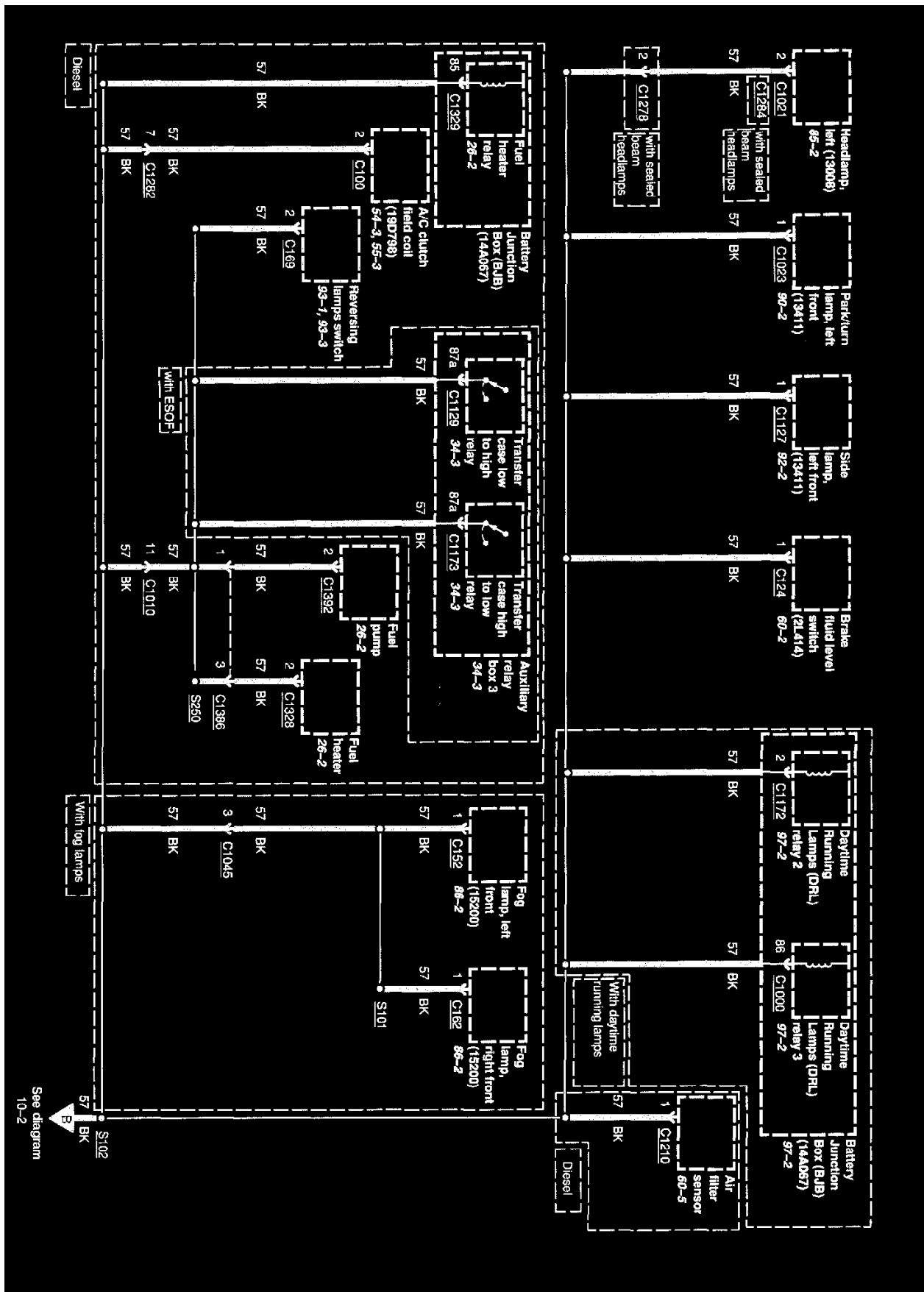


10-2



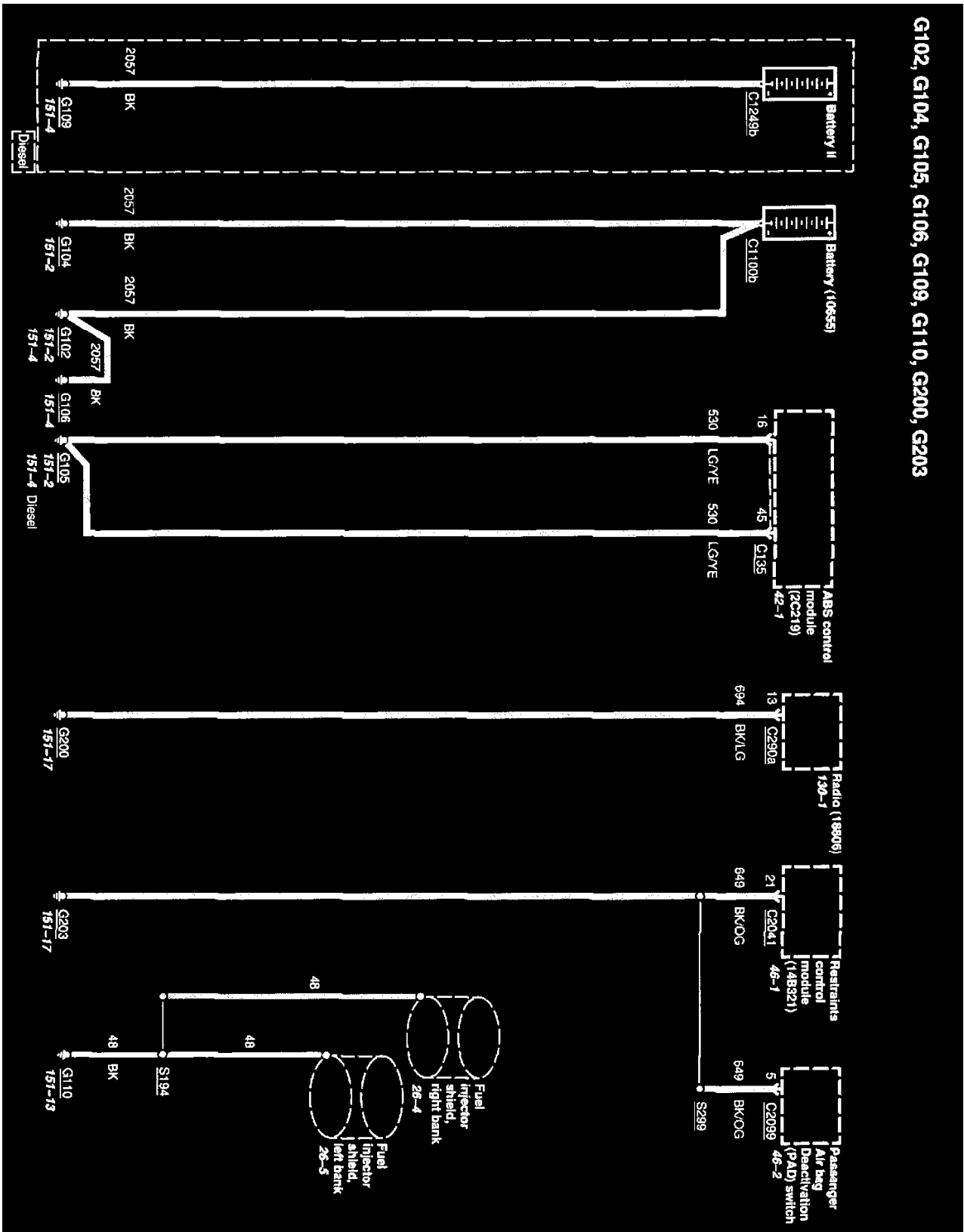
10-3

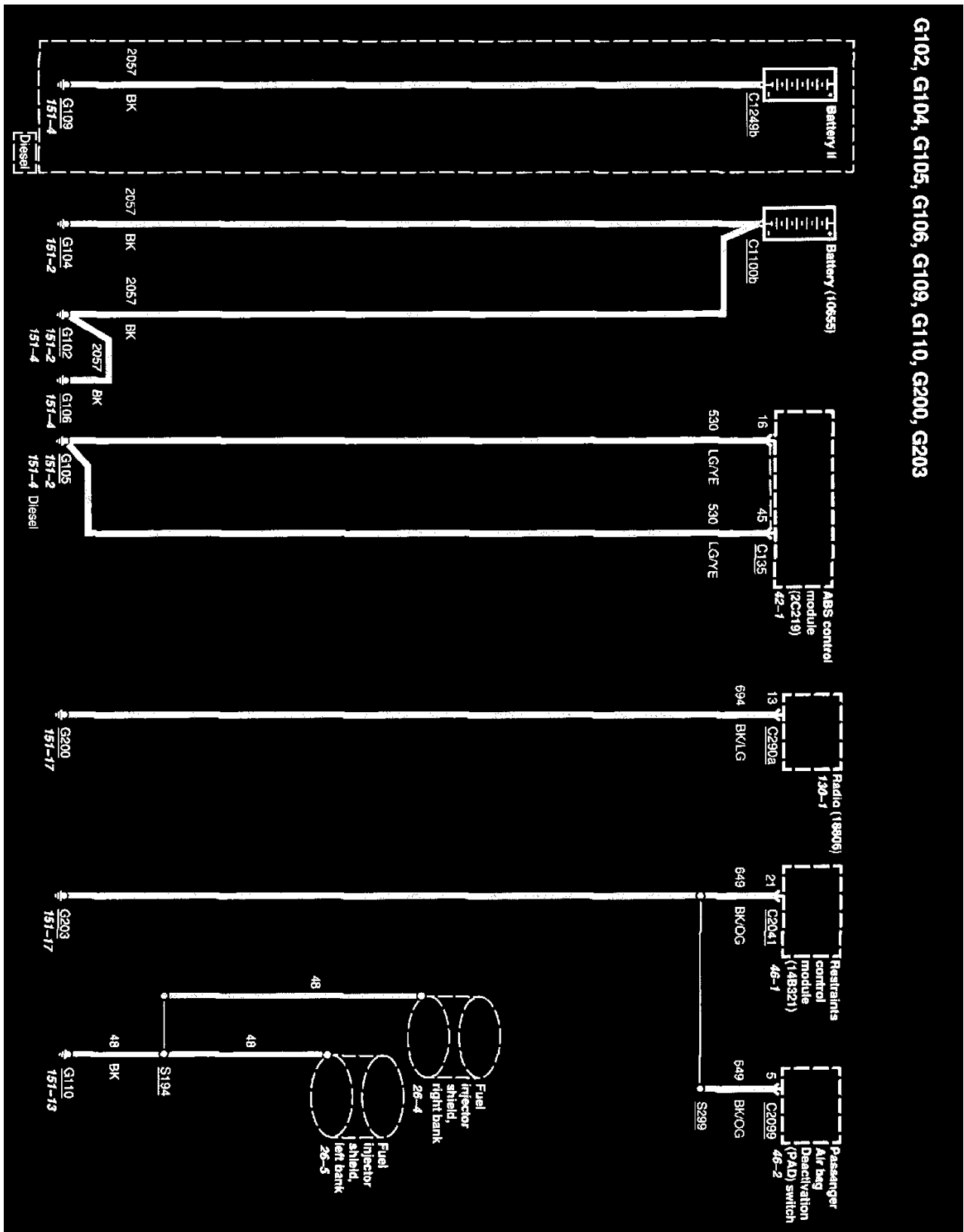
Diagrams: Other diagrams referred to by number (See Diagram #-#, etc.) within these diagrams can be found at Diagrams By Number. See: Diagrams/Electrical Diagrams/Diagrams By Number

Locations: Location Views (reference numbers starting with 151-) referred to within these diagrams can be found at **Component Location Views**.
 See: Diagrams/Components/Component Location Views

G102

PLEASE NOTE: Some diagrams may appear to be missing because of gaps in the number sequences. These "gaps" are actually for diagrams that do not apply to the vehicle model selected.





10-1

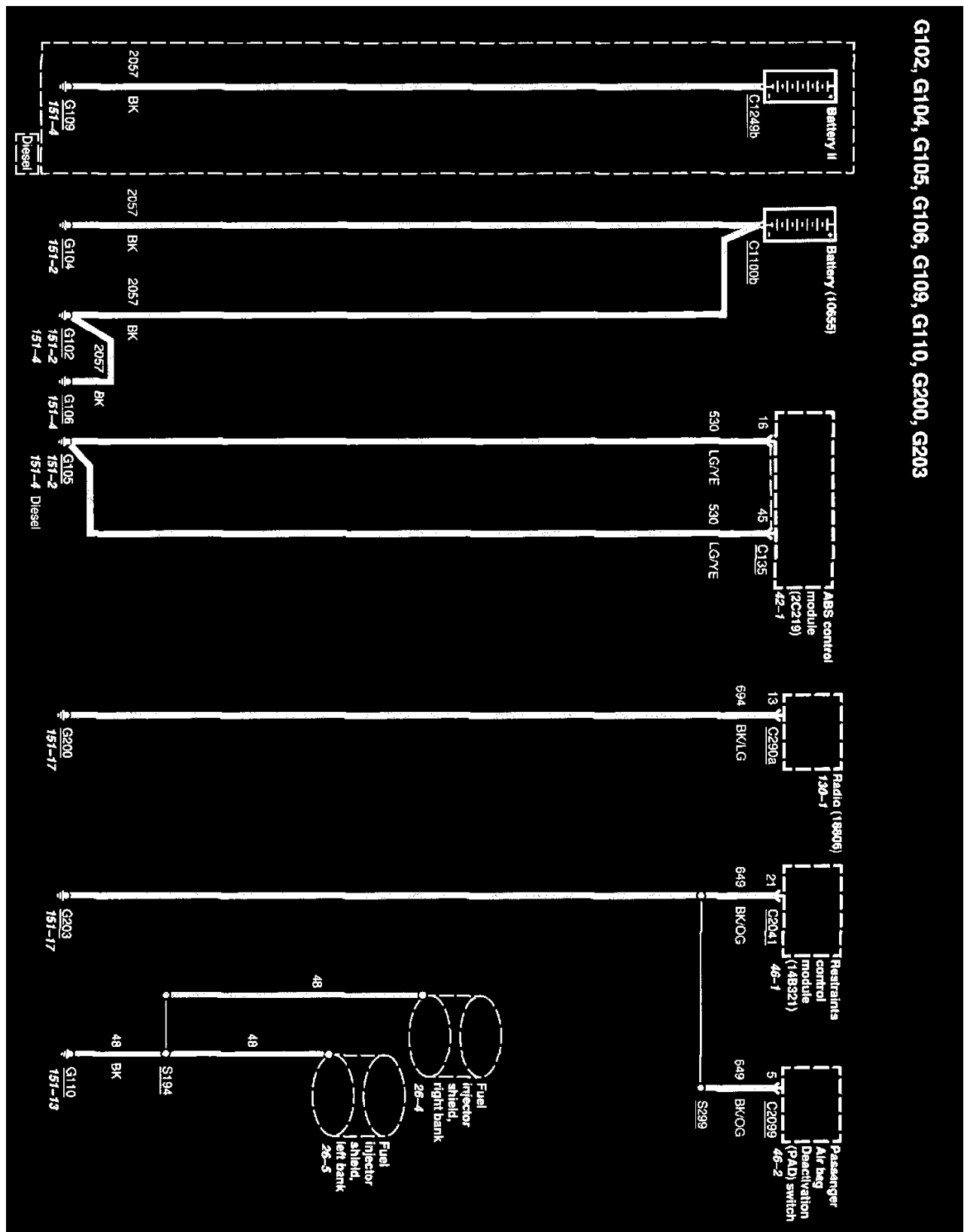
Diagrams: Other diagrams referred to by number (See Diagram #-#, etc.) within these diagrams can be found at **Diagrams By Number**. See: Diagrams/Electrical Diagrams/Diagrams By Number

Locations: Location Views (reference numbers starting with 151-) referred to within these diagrams can be found at **Component Location Views**. See: Diagrams/Components/Component Location Views

G105

PLEASE NOTE: Some diagrams may appear to be missing because of gaps in the number sequences. These "gaps" are actually for diagrams that do

PLEASE NOTE: Some diagrams may appear to be missing because of gaps in the number sequences. These "gaps" are actually for diagrams that do not apply to the vehicle model selected.



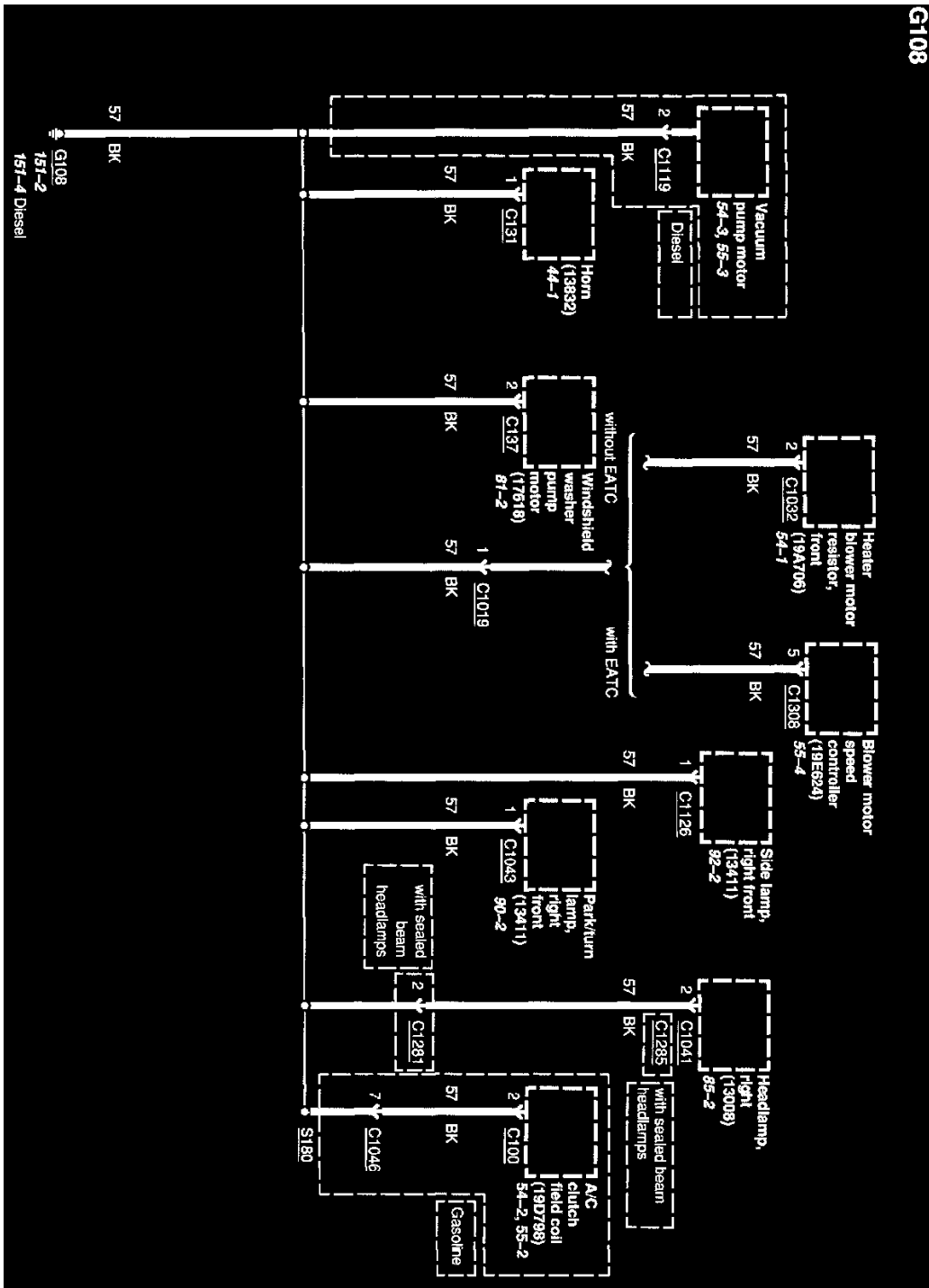
10-1

Diagrams: Other diagrams referred to by number (See Diagram #-#, etc.) within these diagrams can be found at **Diagrams By Number**. See: Diagrams/Electrical Diagrams/Diagrams By Number

Locations: Location Views (reference numbers starting with 151-) referred to within these diagrams can be found at **Component Location Views**. See: Diagrams/Components/Component Location Views

G108

PLEASE NOTE: Some diagrams may appear to be missing because of gaps in the number sequences. These "gaps" are actually for diagrams that do not apply to the vehicle model selected.



G108

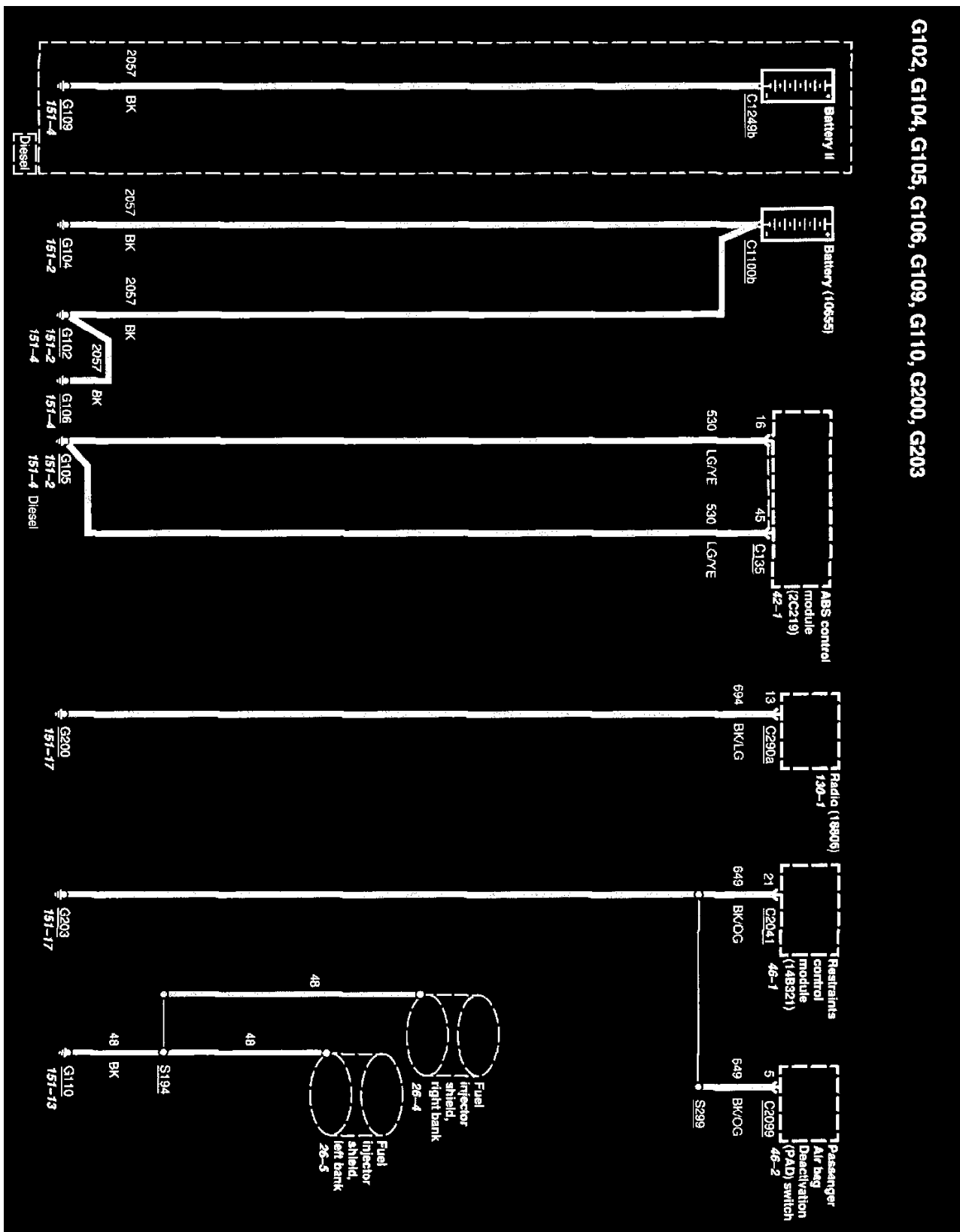
10-6

Diagrams: Other diagrams referred to by number (See Diagram #-#, etc.) within these diagrams can be found at **Diagrams By Number**. See: Diagrams/Electrical Diagrams/Diagrams By Number

Locations: Location Views (reference numbers starting with 151-) referred to within these diagrams can be found at **Component Location Views**. See: Diagrams/Components/Component Location Views

G109

PLEASE NOTE: Some diagrams may appear to be missing because of gaps in the number sequences. These "gaps" are actually for diagrams that do not apply to the vehicle model selected.

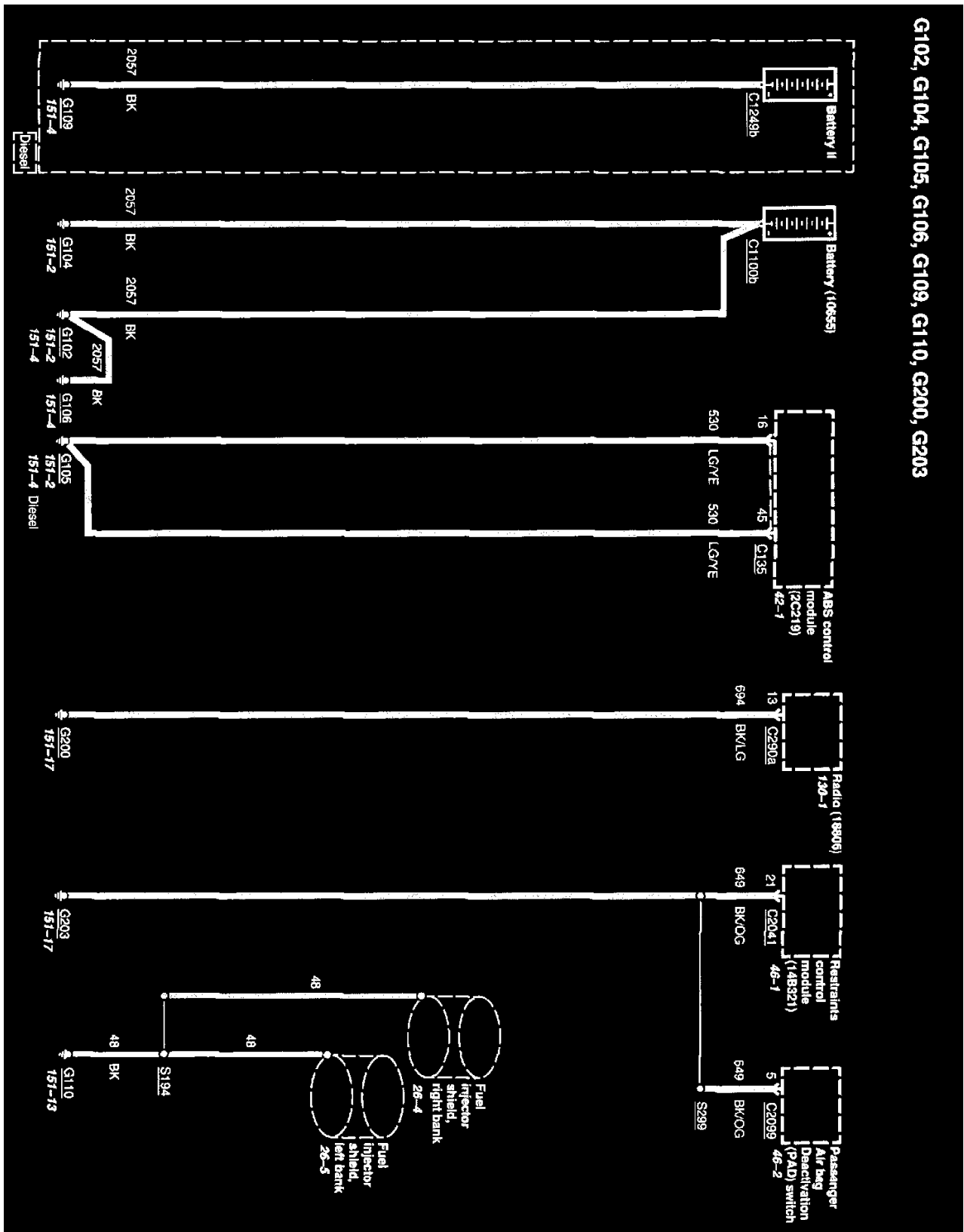


Diagrams: Other diagrams referred to by number (See Diagram #-#, etc.) within these diagrams can be found at **Diagrams By Number**. See: Diagrams/Electrical Diagrams/Diagrams By Number

Locations: Location Views (reference numbers starting with 151-) referred to within these diagrams can be found at **Component Location Views**. See: Diagrams/Components/Component Location Views

G110

PLEASE NOTE: Some diagrams may appear to be missing because of gaps in the number sequences. These "gaps" are actually for diagrams that do not apply to the vehicle model selected.



10-1

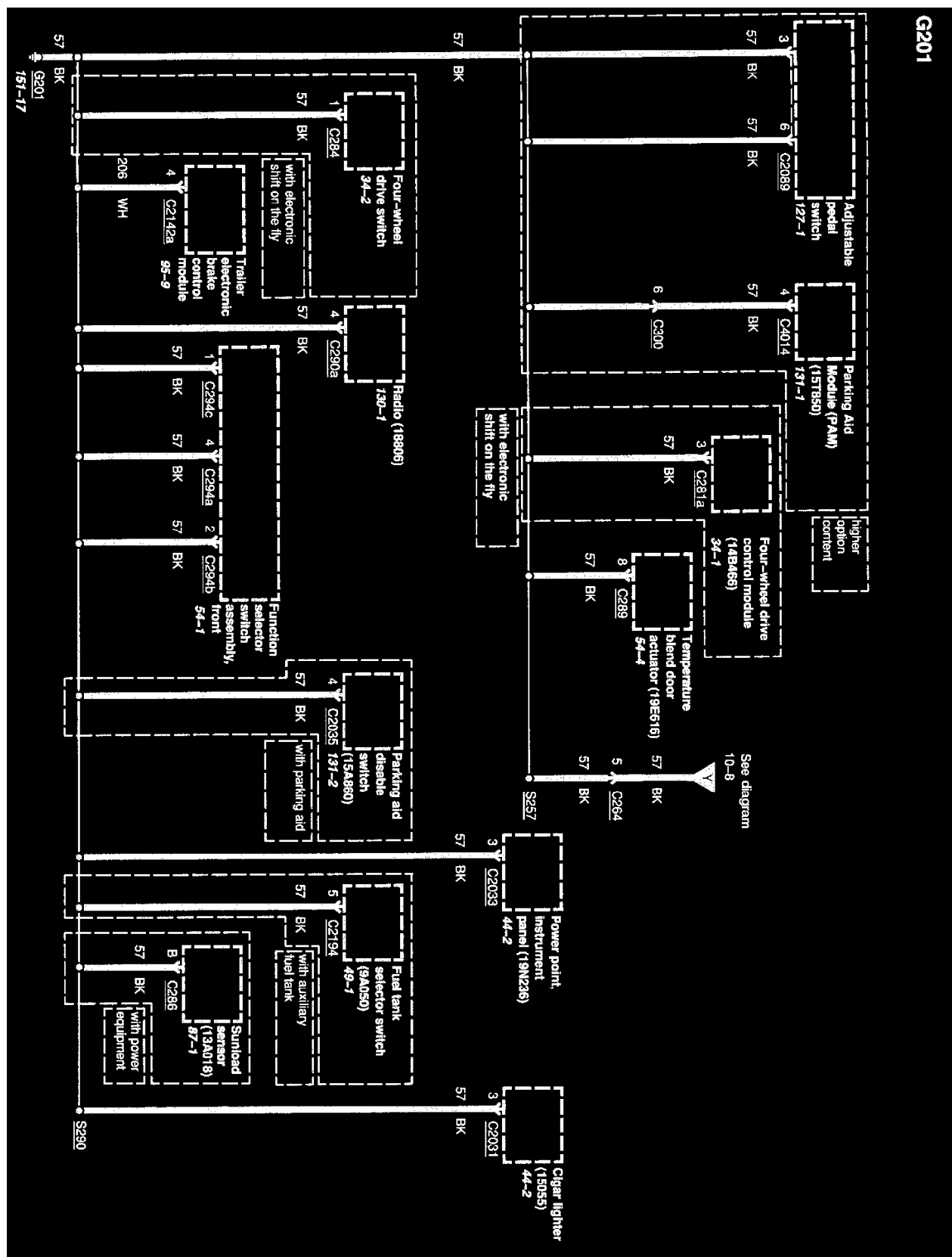
Diagrams: Other diagrams referred to by number (See Diagram #-#, etc.) within these diagrams can be found at **Diagrams By Number**. See: Diagrams/Electrical Diagrams/Diagrams By Number

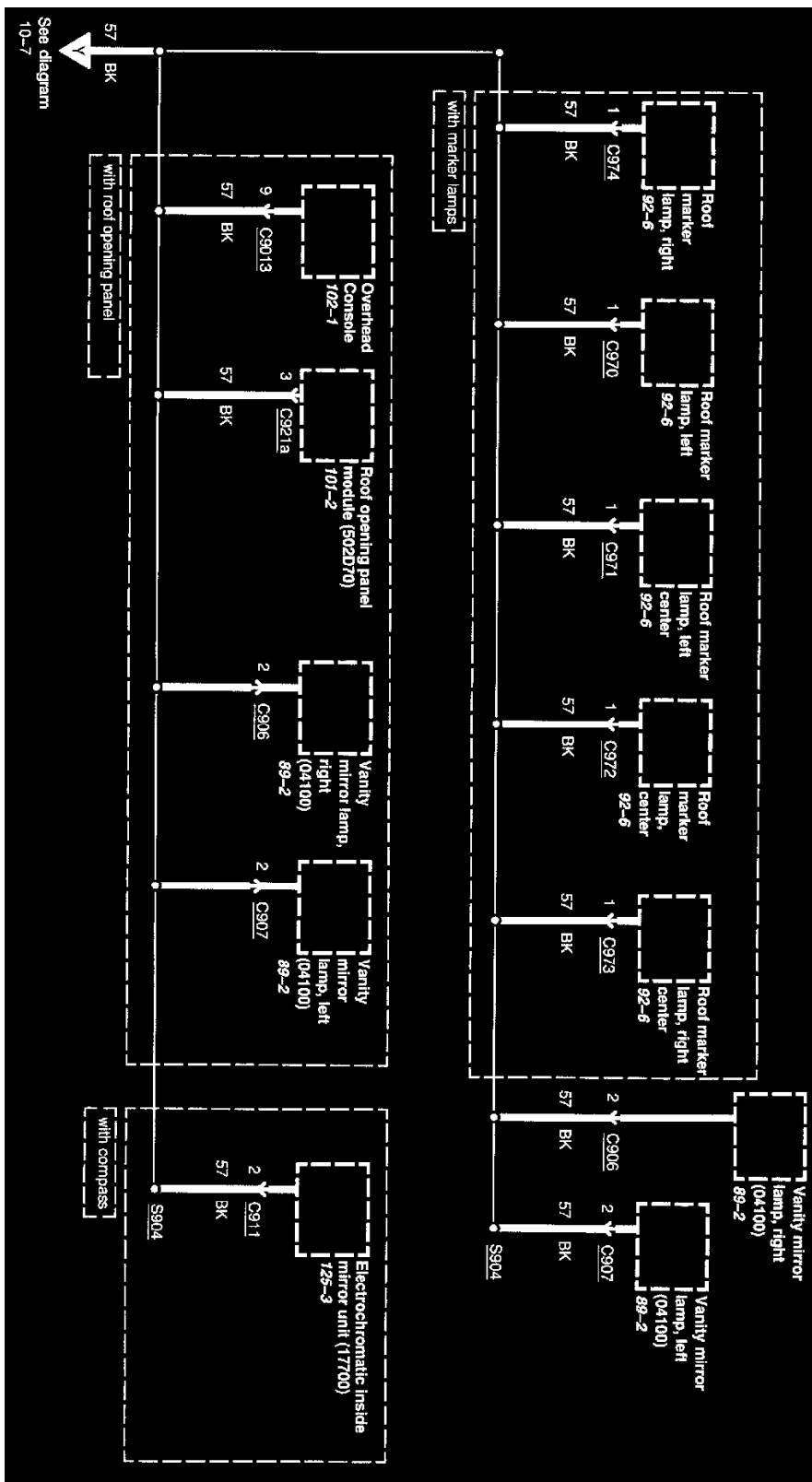
Locations: Location Views (reference numbers starting with 151-) referred to within these diagrams can be found at **Component Location Views**. See: Diagrams/Components/Component Location Views

G200

PLEASE NOTE: Some diagrams may appear to be missing because of gaps in the number sequences. These "gaps" are actually for diagrams that do

PLEASE NOTE: Some diagrams may appear to be missing because of gaps in the number sequences. These "gaps" are actually for diagrams that do not apply to the vehicle model selected.





See diagram 10-7

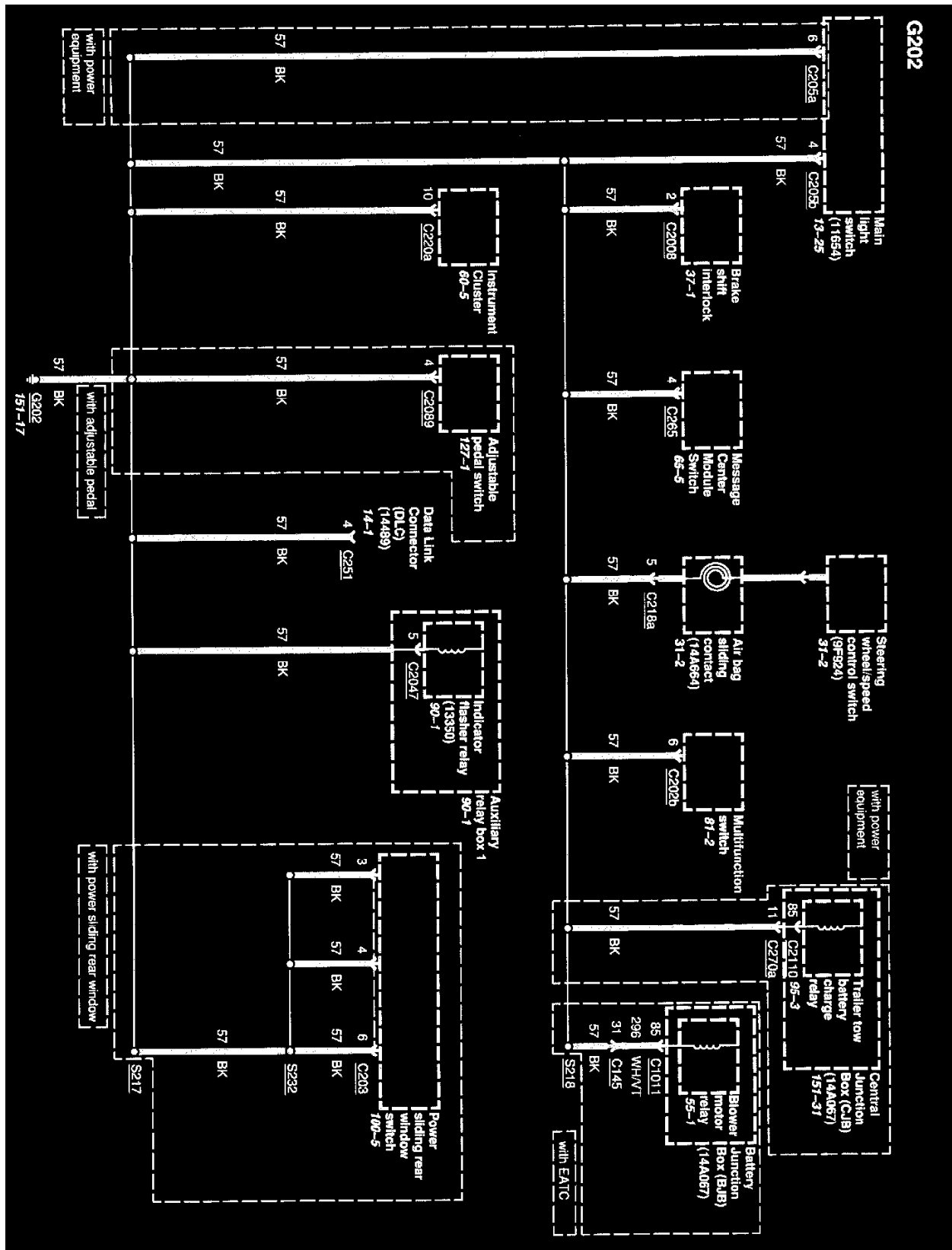
10-8

Diagrams: Other diagrams referred to by number (See Diagram ##-#, etc.) within these diagrams can be found at **Diagrams By Number**. See: Diagrams/Electrical Diagrams/Diagrams By Number

Locations: Location Views (reference numbers starting with 151-) referred to within these diagrams can be found at **Component Location Views**. See: Diagrams/Components/Component Location Views

G202

PLEASE NOTE: Some diagrams may appear to be missing because of gaps in the number sequences. These "gaps" are actually for diagrams that do not apply to the vehicle model selected.



10-9

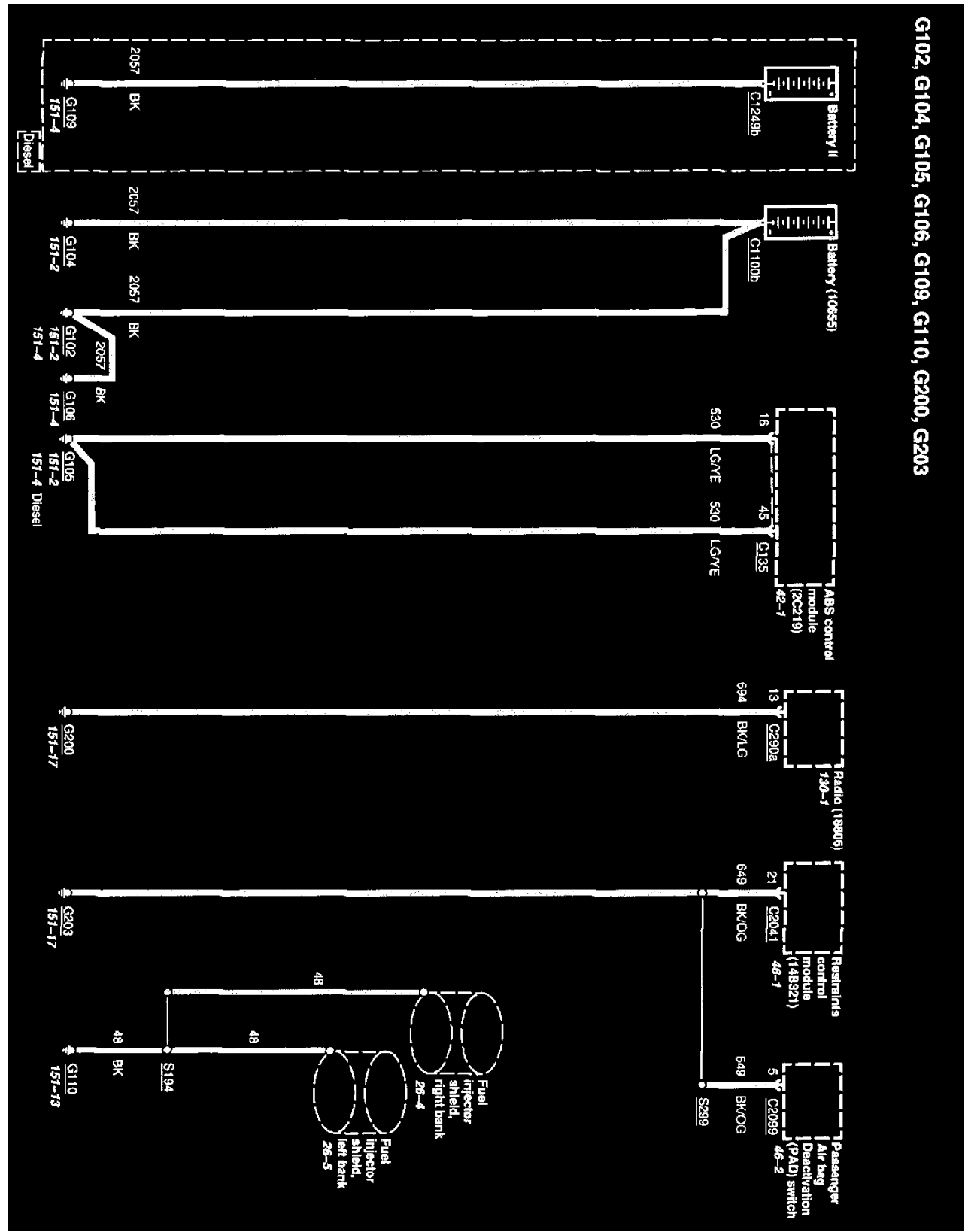
Diagrams: Other diagrams referred to by number (See Diagram #-#, etc.) within these diagrams can be found at **Diagrams By Number**. See: Diagrams/Electrical Diagrams/Diagrams By Number

Locations: Location Views (reference numbers starting with 151-) referred to within these diagrams can be found at **Component Location Views**. See: Diagrams/Components/Component Location Views

G203

PLEASE NOTE: Some diagrams may appear to be missing because of gaps in the number sequences. These "gaps" are actually for diagrams that do

not apply to the vehicle model selected.

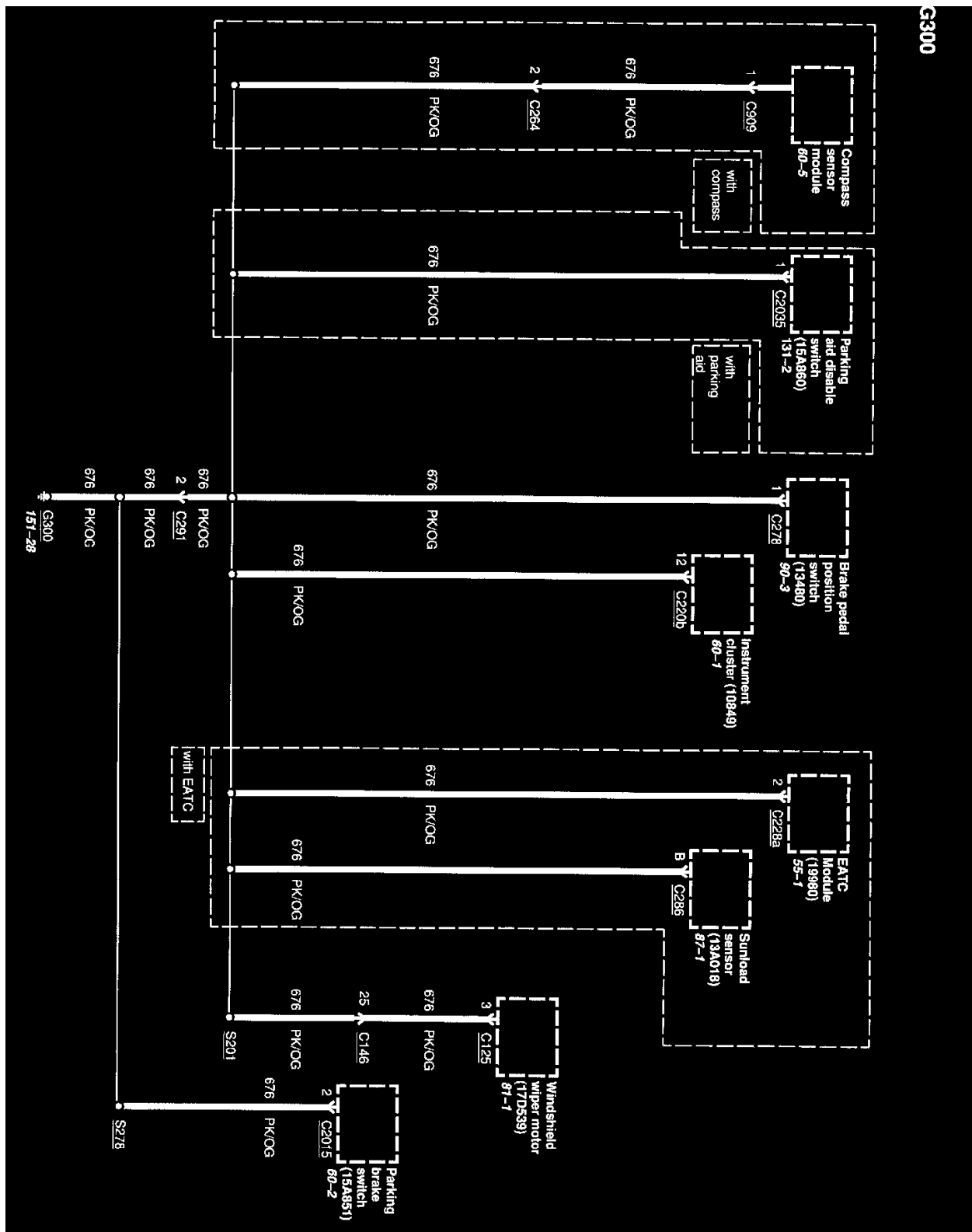


10-1

Diagrams: Other diagrams referred to by number (See Diagram #-#, etc.) within these diagrams can be found at **Diagrams By Number**. See: Diagrams/Electrical Diagrams/Diagrams By Number

Locations: Location Views (reference numbers starting with 151-) referred to within these diagrams can be found at **Component Location Views**. See: Diagrams/Components/Component Location Views

PLEASE NOTE: Some diagrams may appear to be missing because of gaps in the number sequences. These "gaps" are actually for diagrams that do not apply to the vehicle model selected.



10-10

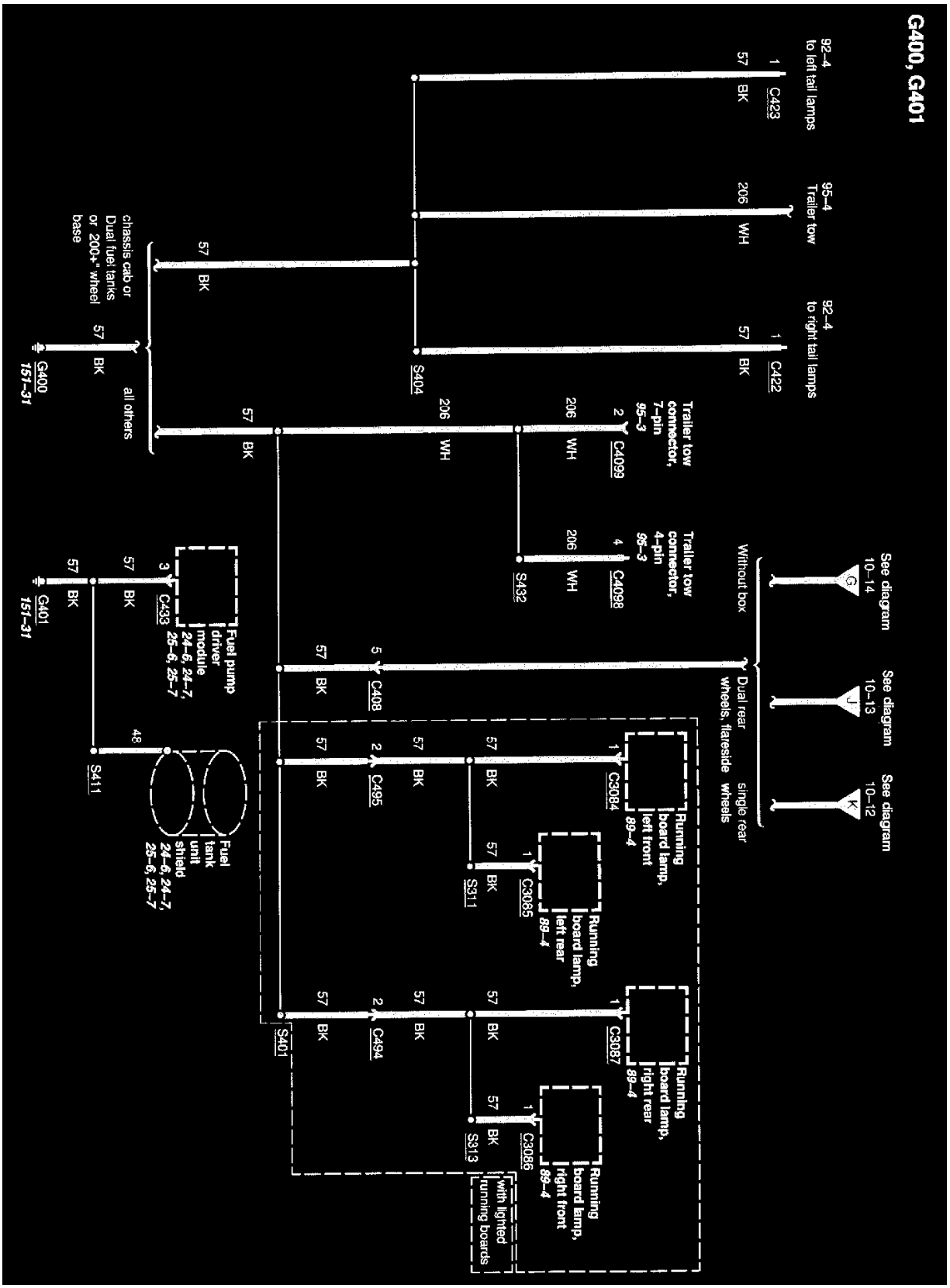
Diagrams: Other diagrams referred to by number (See Diagram #-#, etc.) within these diagrams can be found at **Diagrams By Number**. See: Diagrams/Electrical Diagrams/Diagrams By Number

Locations: Location Views (reference numbers starting with 151-) referred to within these diagrams can be found at **Component Location Views**. See: Diagrams/Components/Component Location Views

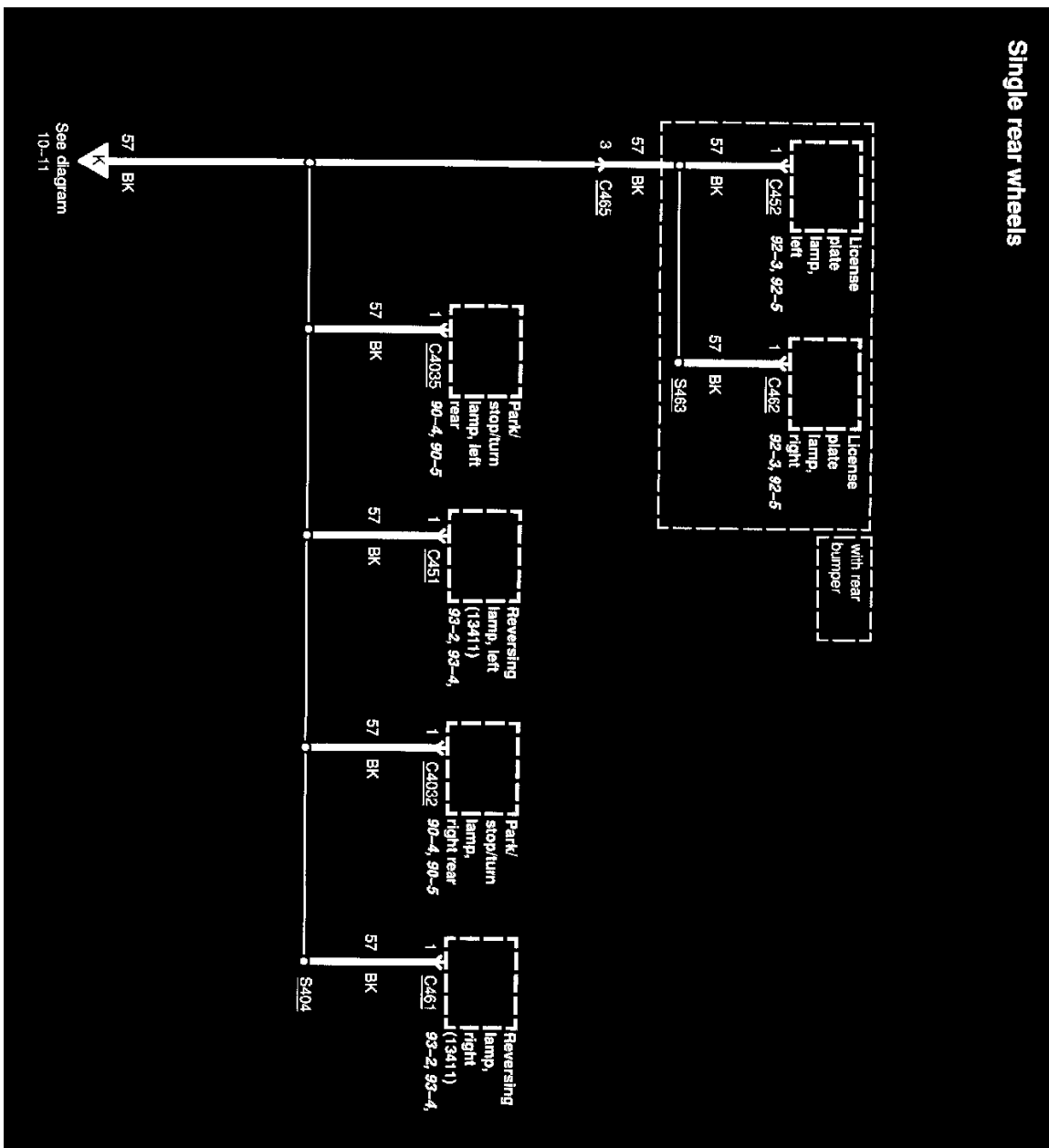
G400

PLEASE NOTE: Some diagrams may appear to be missing because of gaps in the number sequences. These "gaps" are actually for diagrams that do not apply to the vehicle model selected.

G400, G401

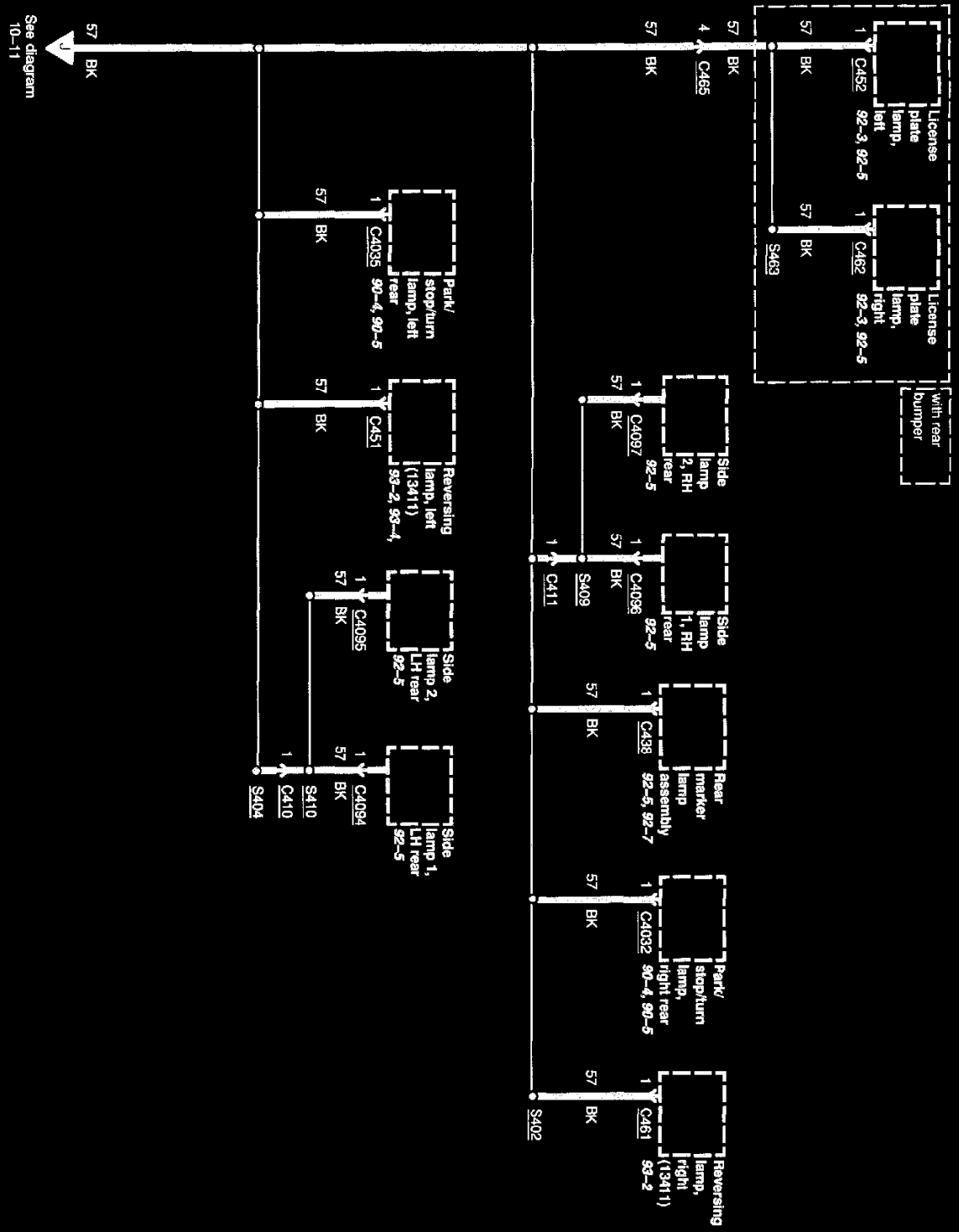


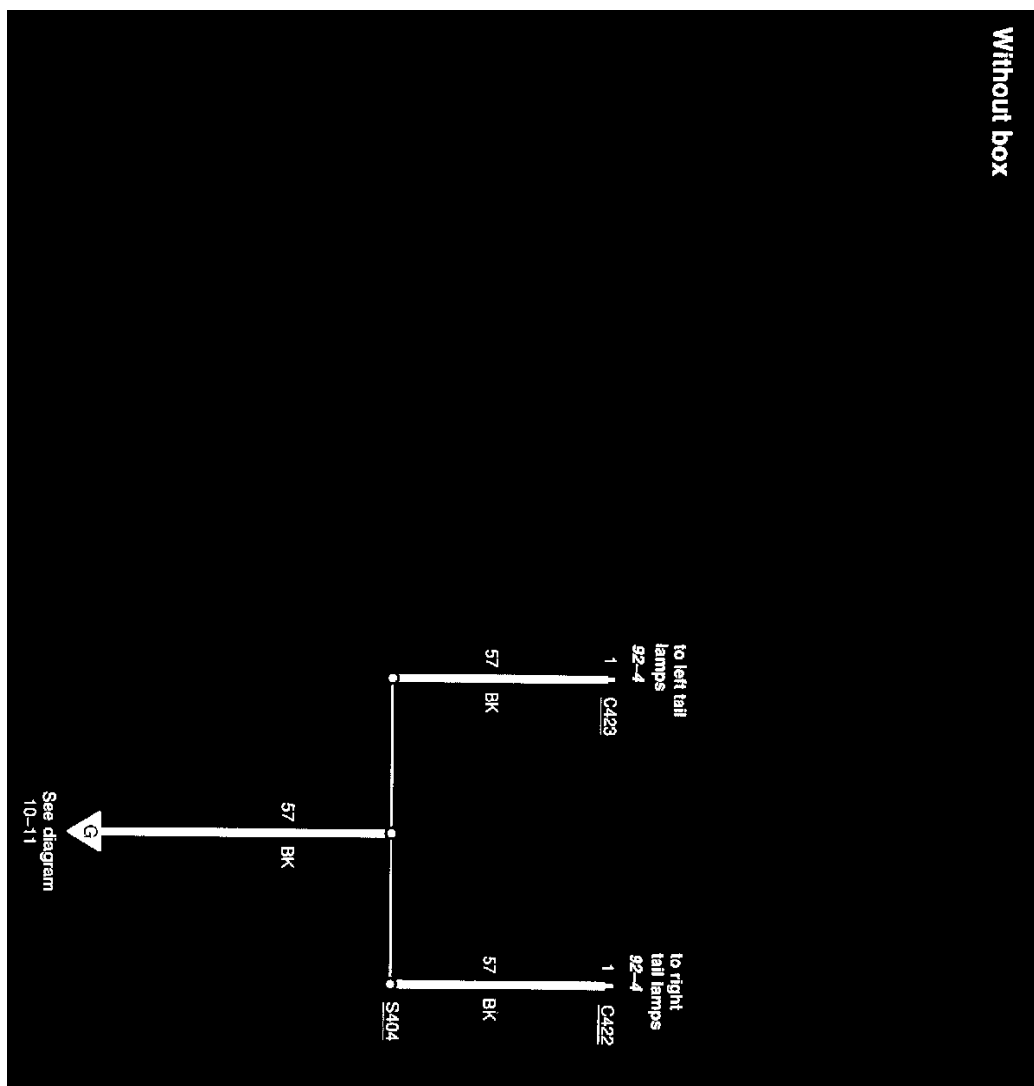
Single rear wheels



See diagram 10-11

Dual rear wheels, flareside





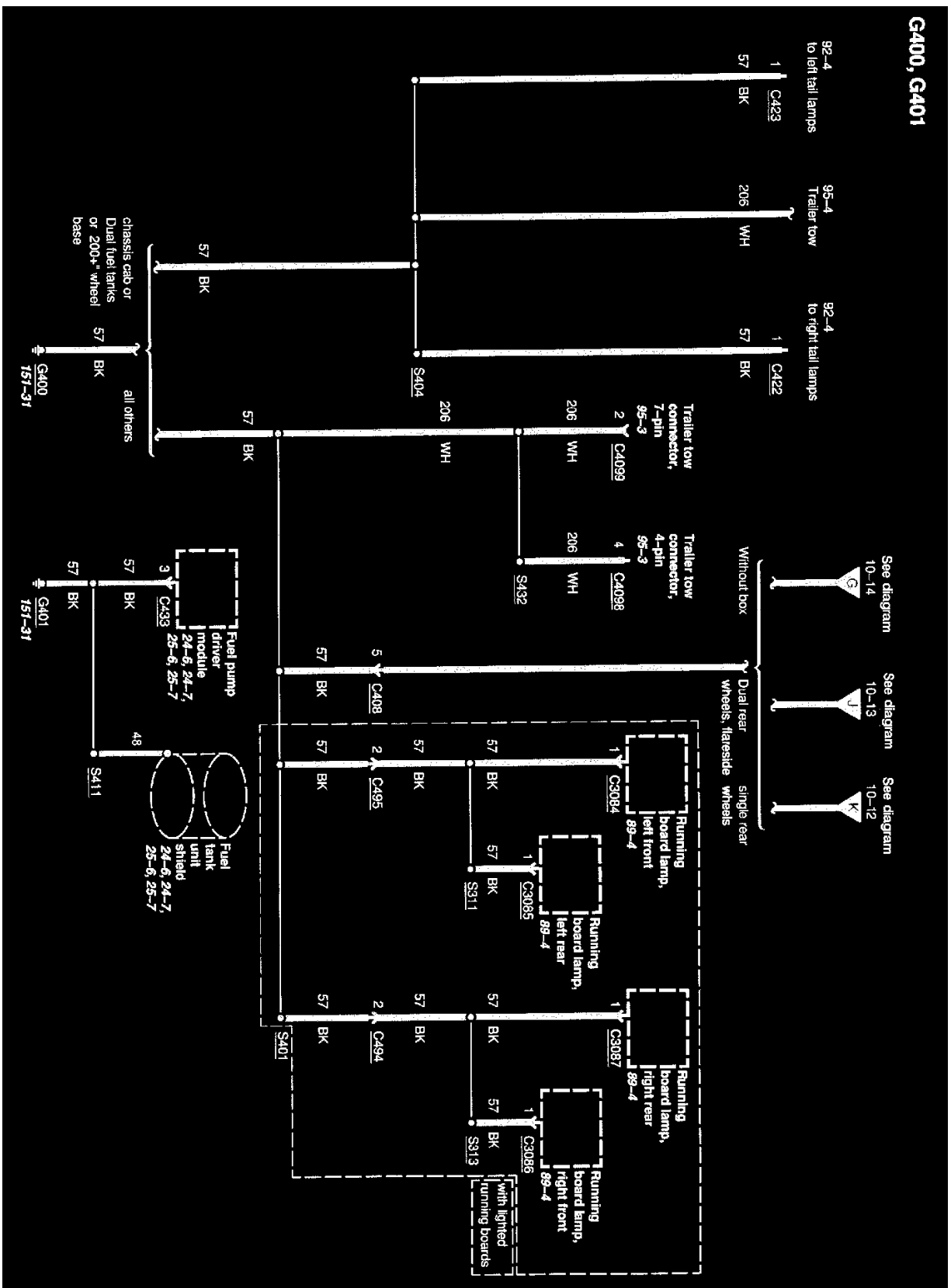
Diagrams: Other diagrams referred to by number (See Diagram ##-#, etc.) within these diagrams can be found at **Diagrams By Number**. See: Diagrams/Electrical Diagrams/Diagrams By Number

Locations: Location Views (reference numbers starting with 151-) referred to within these diagrams can be found at **Component Location Views**. See: Diagrams/Components/Component Location Views

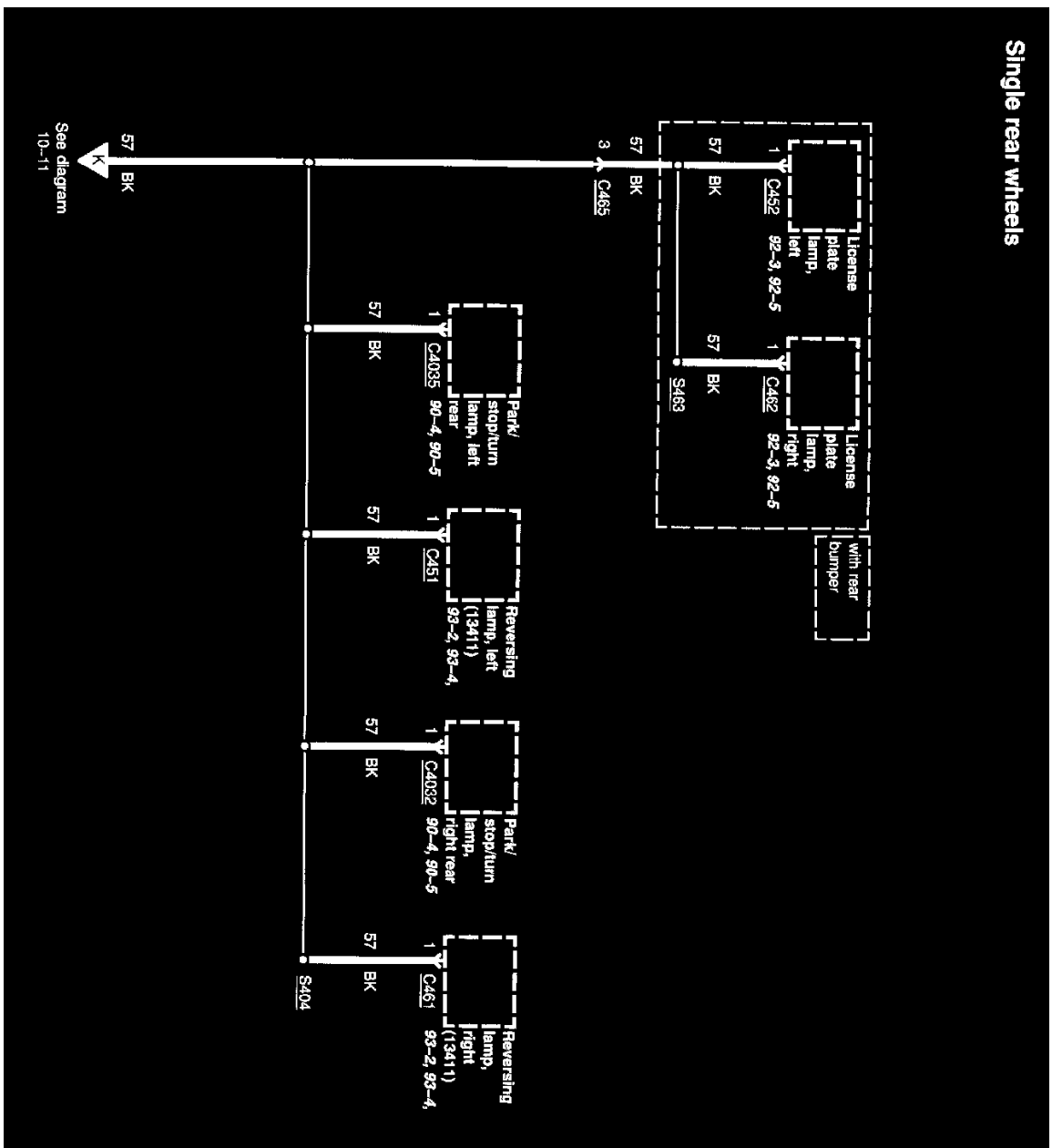
G401

PLEASE NOTE: Some diagrams may appear to be missing because of gaps in the number sequences. These "gaps" are actually for diagrams that do not apply to the vehicle model selected.

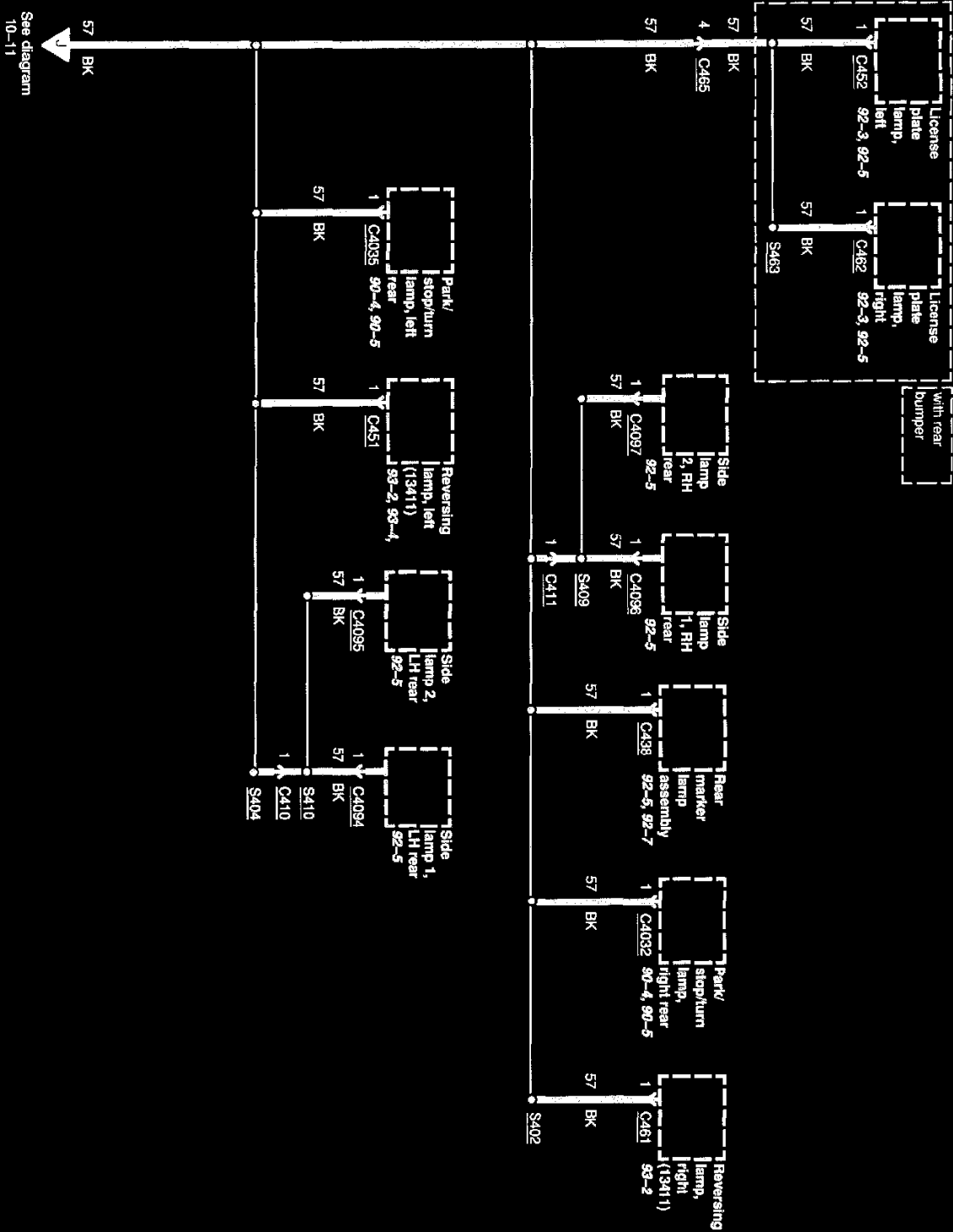
G400, G401



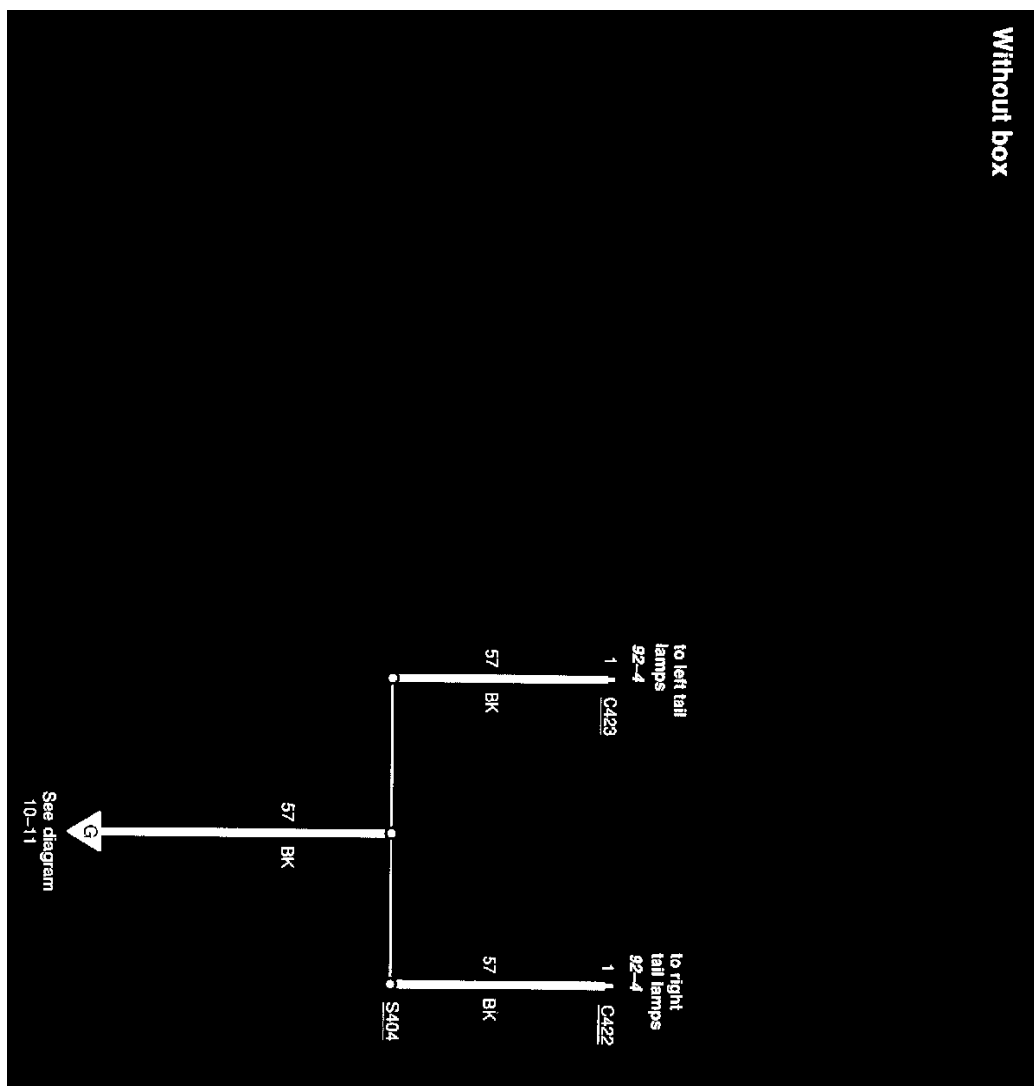
Single rear wheels



Dual rear wheels, flareside



See diagram 10-11



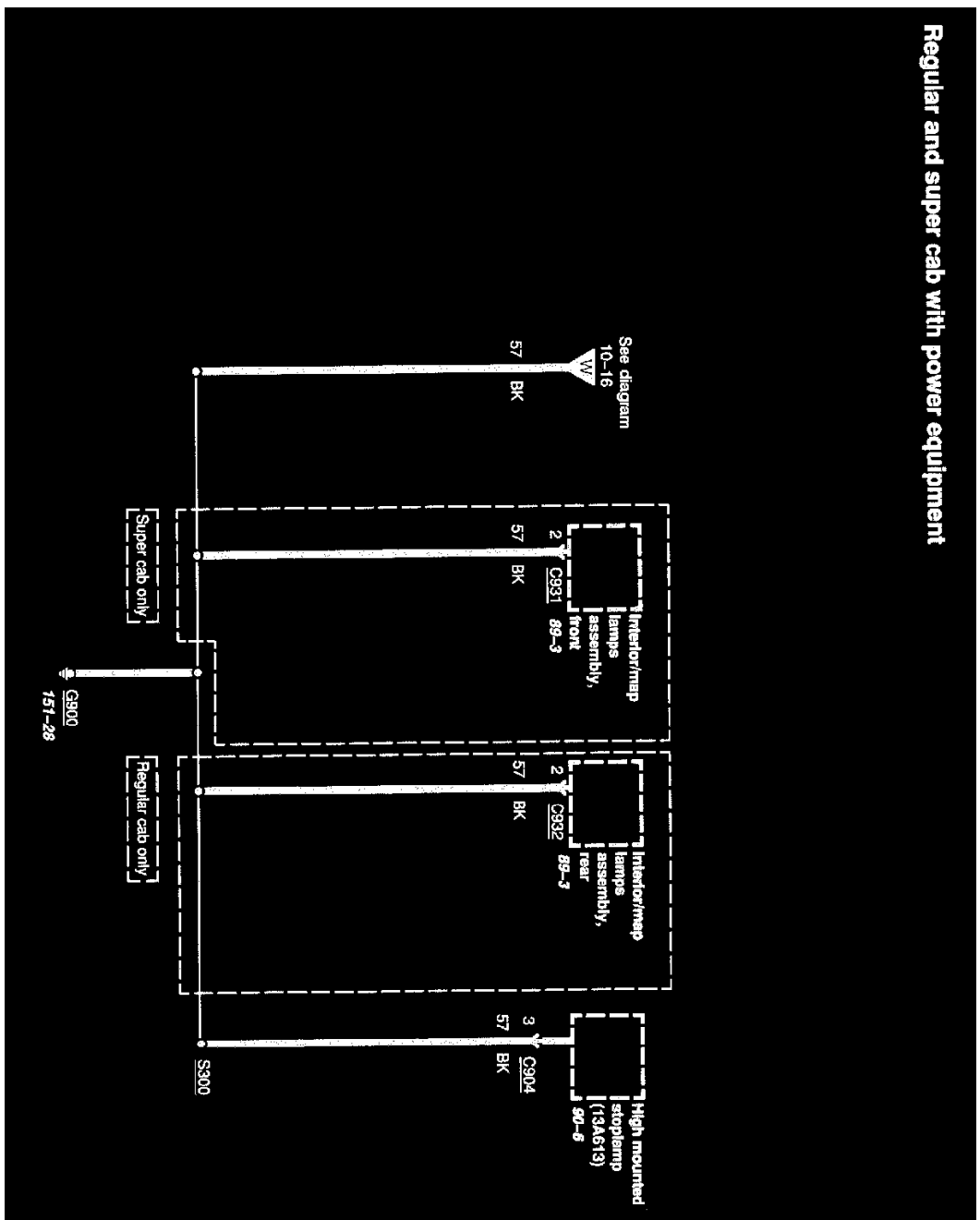
Diagrams: Other diagrams referred to by number (See Diagram ##-#, etc.) within these diagrams can be found at **Diagrams By Number**. See: Diagrams/Electrical Diagrams/Diagrams By Number

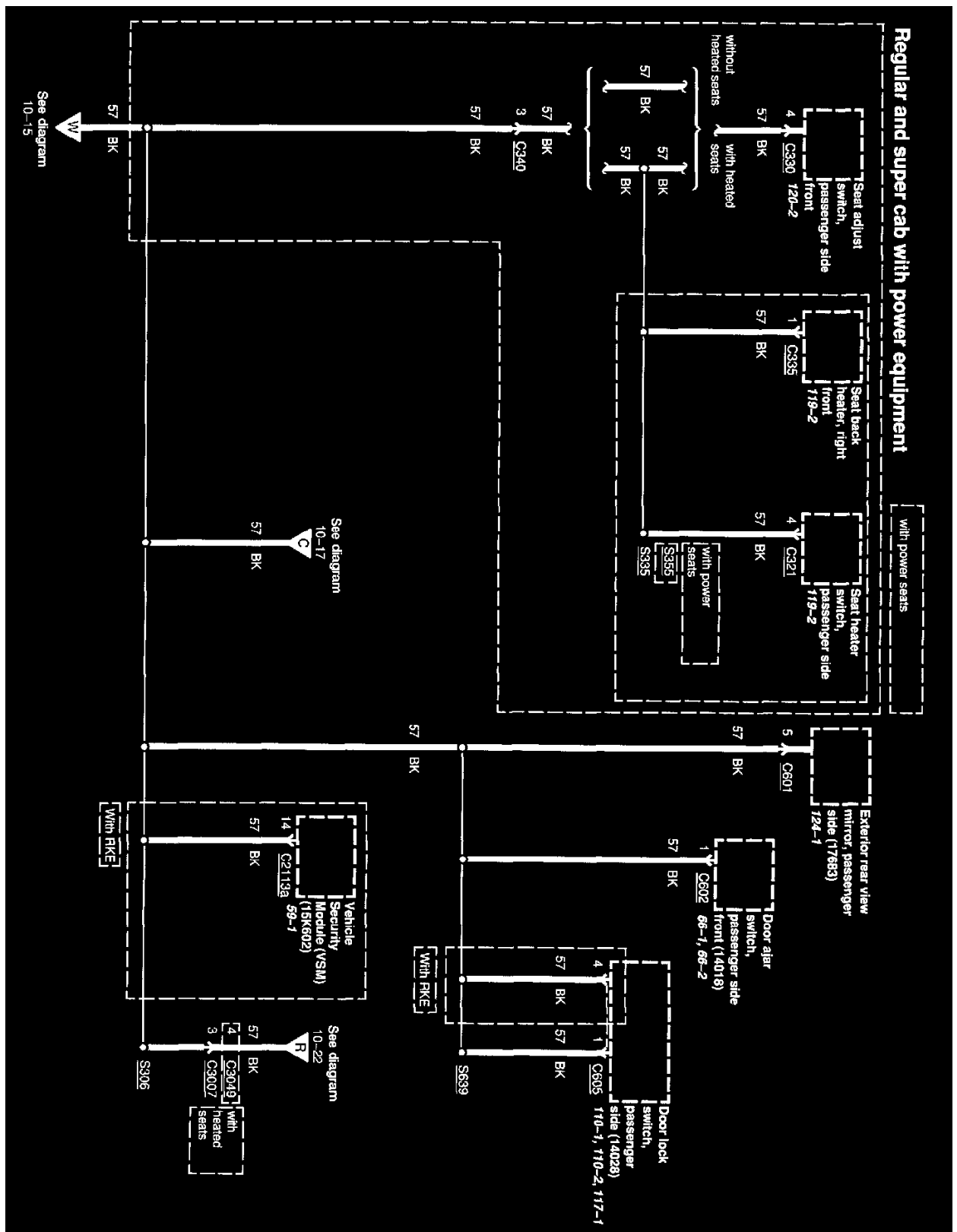
Locations: Location Views (reference numbers starting with 151-) referred to within these diagrams can be found at **Component Location Views**. See: Diagrams/Components/Component Location Views

G900

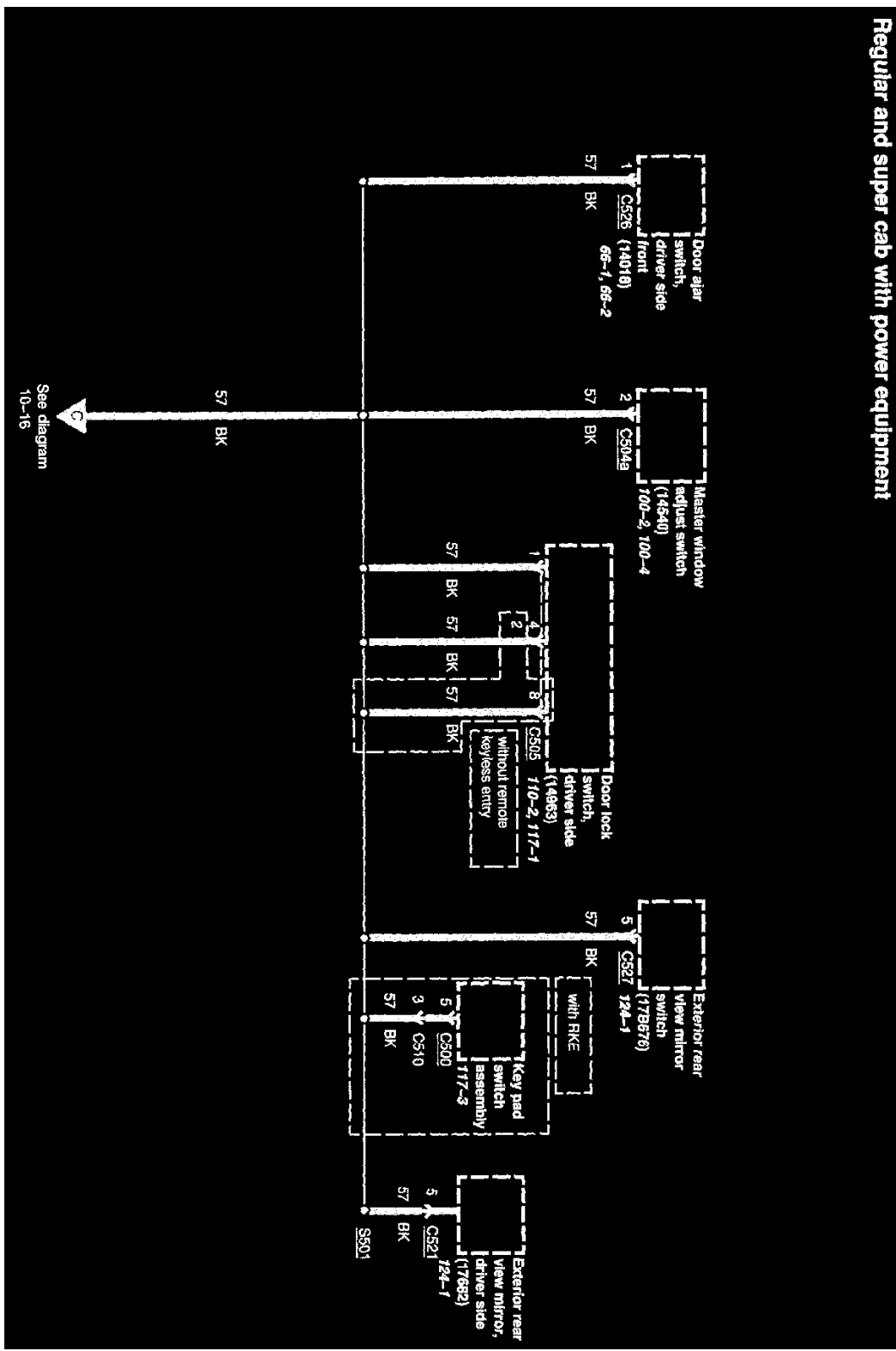
PLEASE NOTE: Some diagrams may appear to be missing because of gaps in the number sequences. These "gaps" are actually for diagrams that do not apply to the vehicle model selected.

Regular and super cab with power equipment

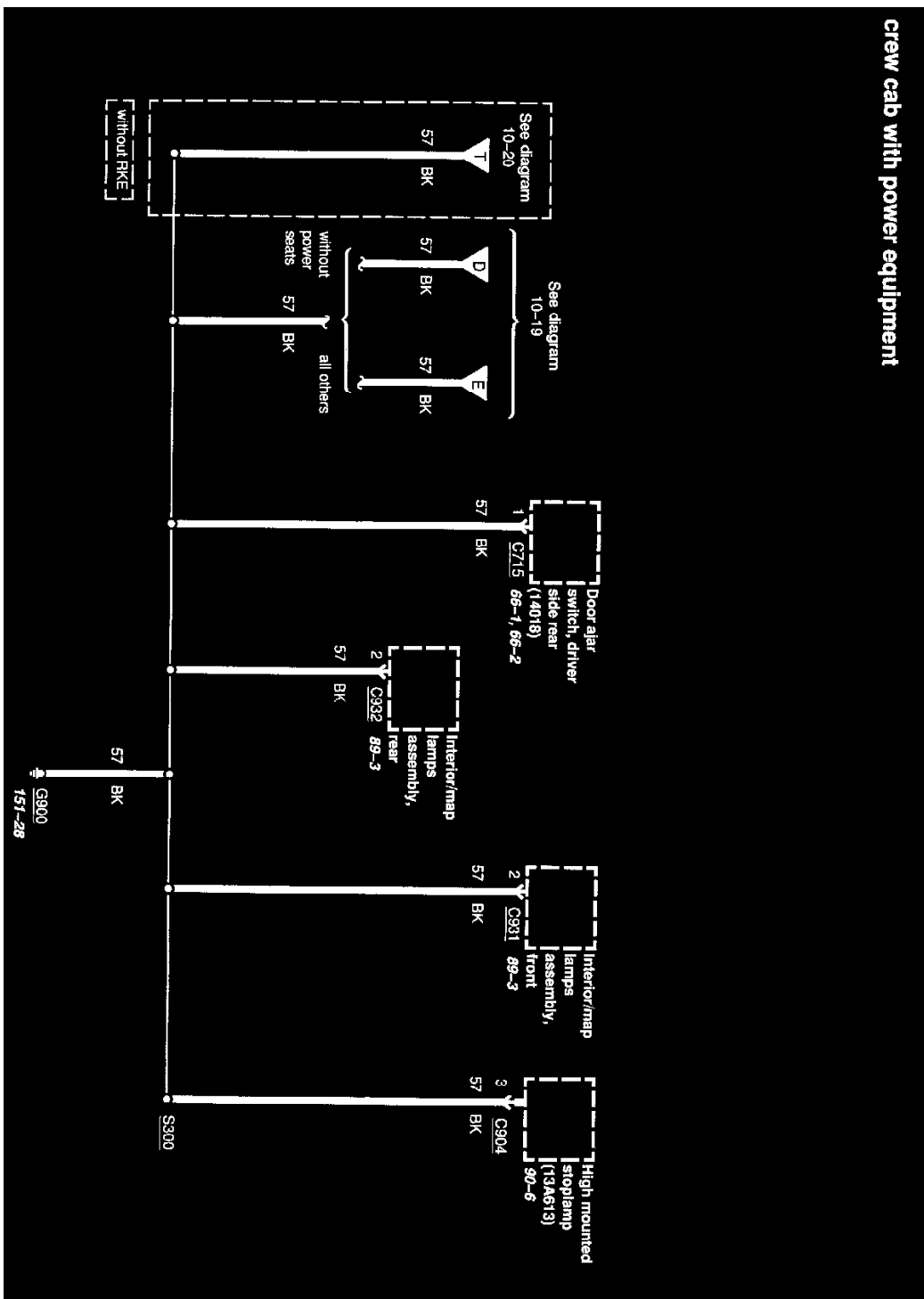




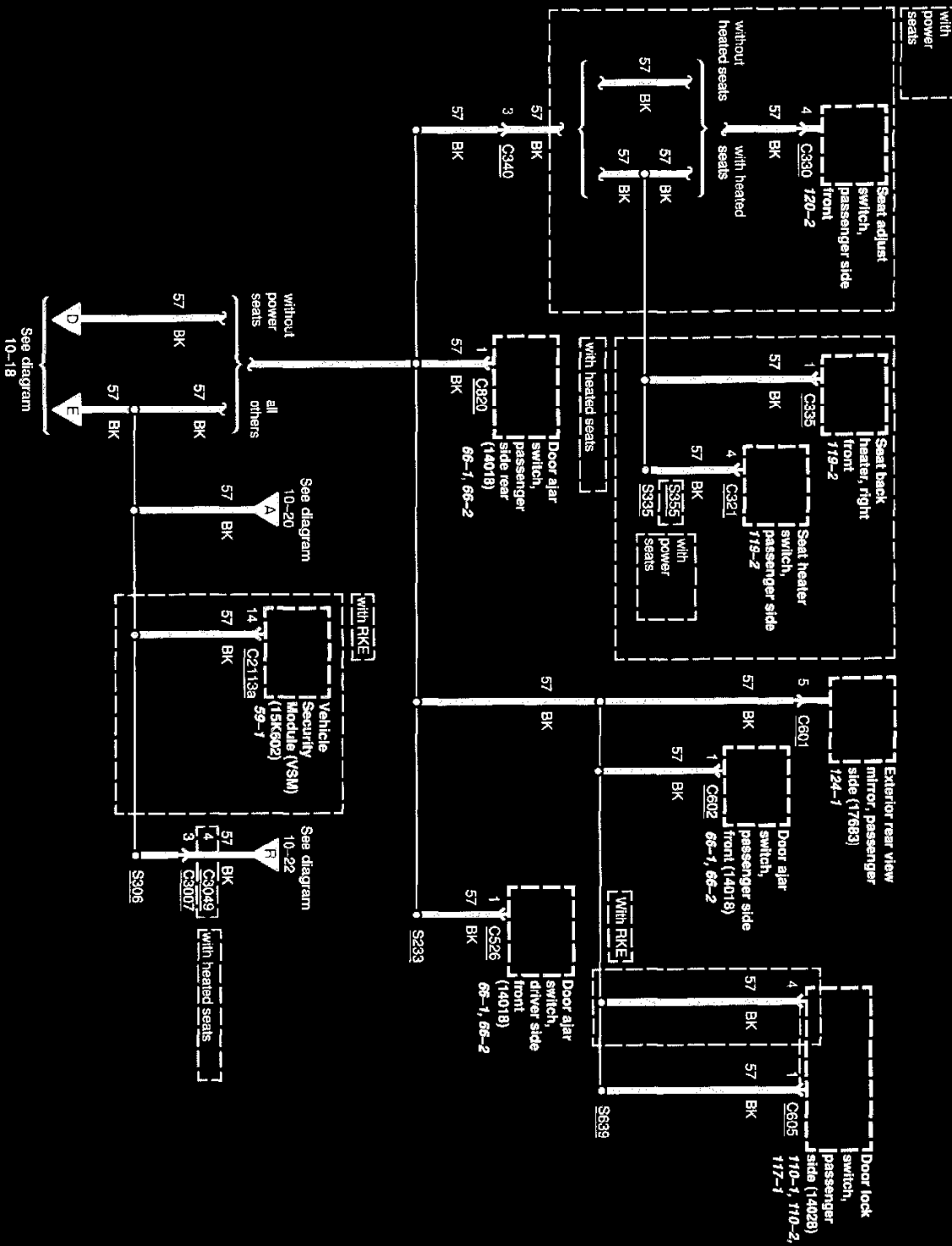
Regular and super cab with power equipment



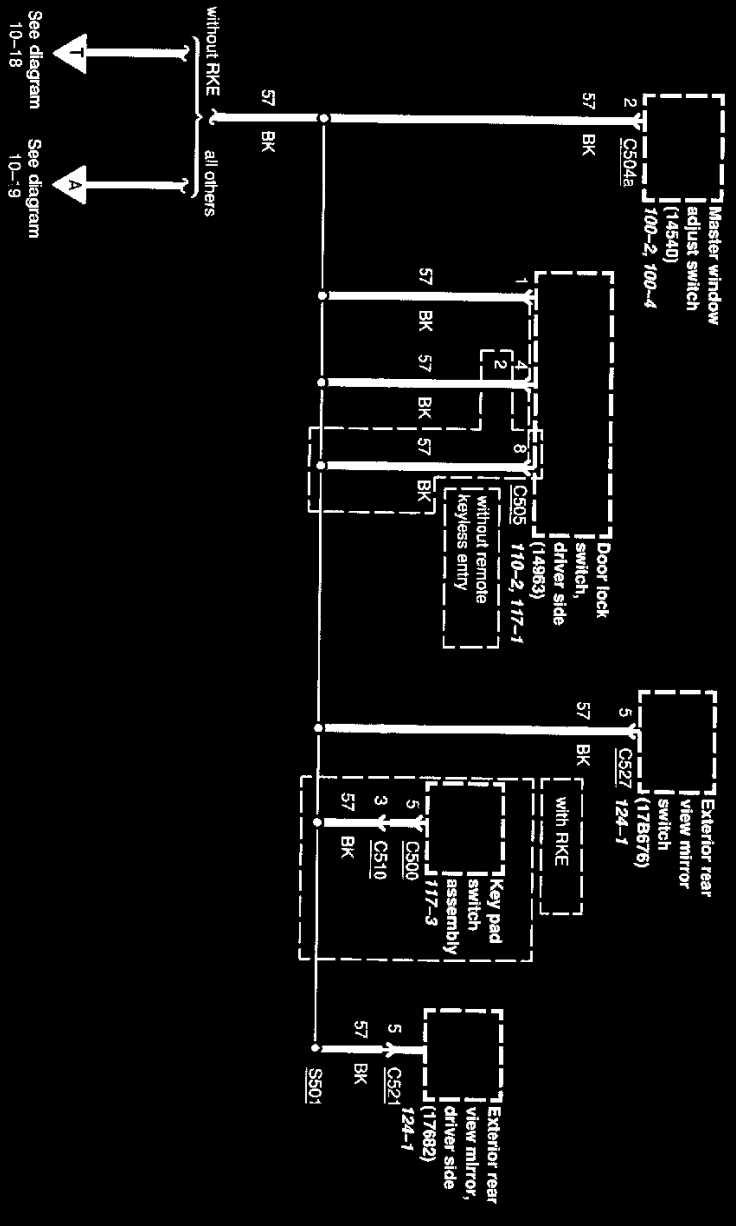
crew cab with power equipment



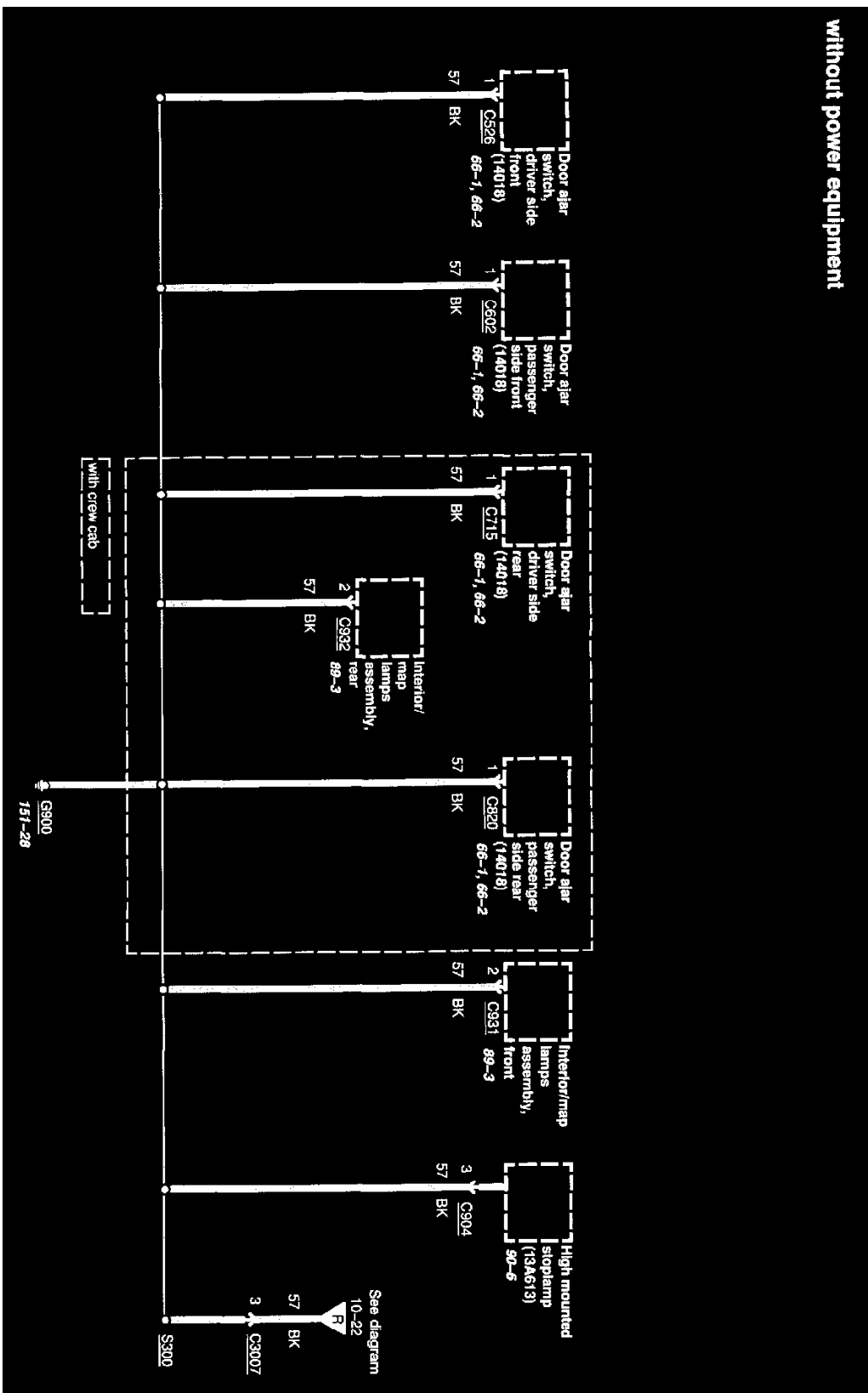
crew cab with power equipment

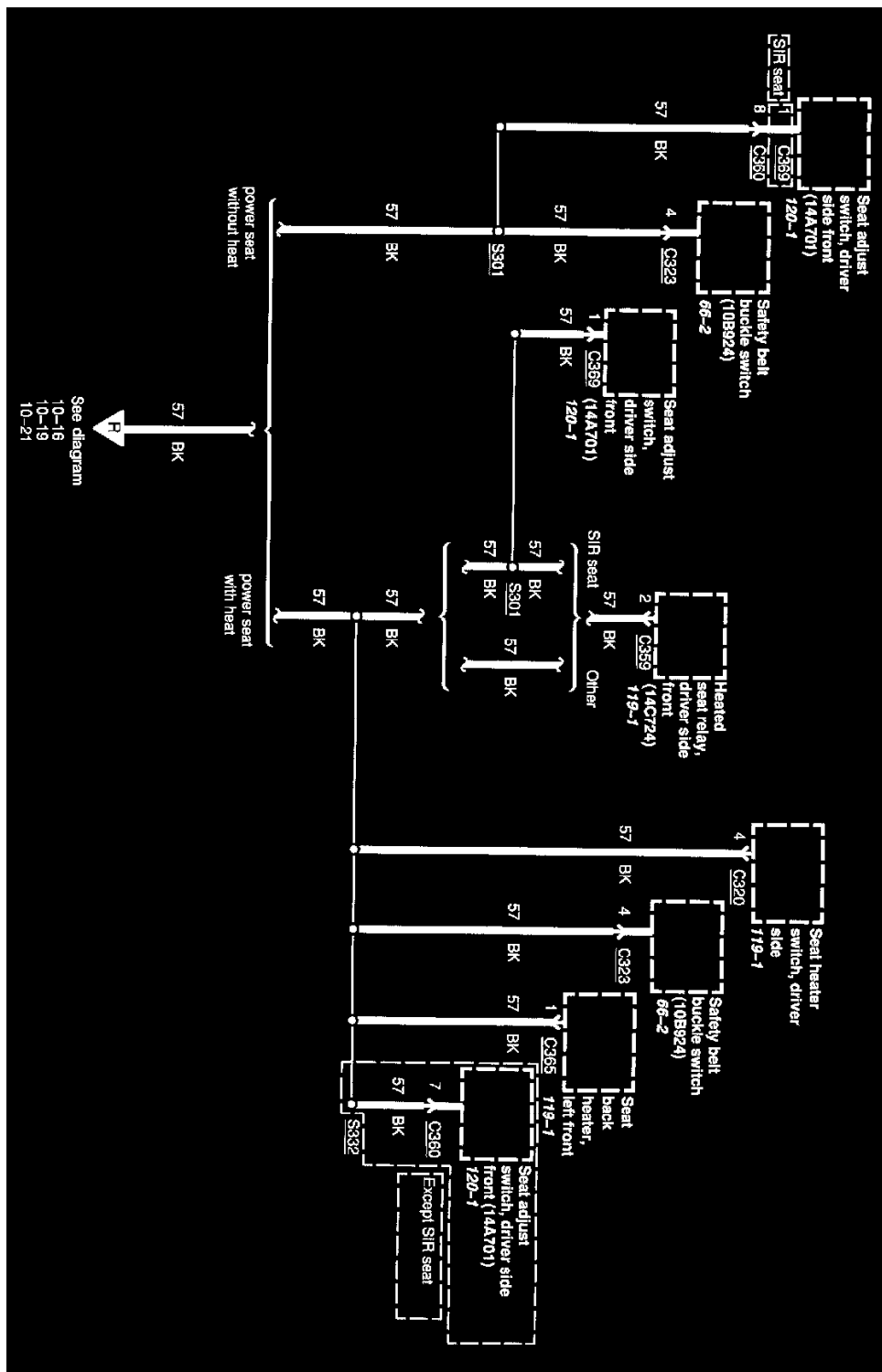


crew cab with power equipment



without power equipment





10-22

Diagrams: Other diagrams referred to by number (See Diagram #-#, etc.) within these diagrams can be found at **Diagrams By Number**. See: **Diagrams/Electrical Diagrams/Diagrams By Number**

Locations: Location Views (reference numbers starting with 151-) referred to within these diagrams can be found at **Component Location Views**. See: **Diagrams/Components/Component Location Views**