

Power and Ground Distribution: Electrical Diagrams

Power Distribution Diagrams

Wiring Diagram Index

PLEASE NOTE: If a link on the index to a specific diagram listed therein is not provided, that means that the diagram in question does NOT apply to the vehicle model selected.

Battery	13-1, 13-2	F2.5	13-26
F1.1	13-23	F2.4	13-3
F1.2	13-24	F2.6	13-5
F1.3	13-23	F2.7	13-8, 13-25
F1.4	13-23	F2.8	13-4
F1.6	13-23	F2.9	13-4
F1.5	13-24	F2.10	13-3
F1.7	13-24	F2.11	13-3
F1.8	13-23	F2.12	13-5
F1.9	13-24	F2.13	13-7
F1.10	13-23	F2.14	13-11
F1.11	13-12	F2.15	13-3
F1.12	13-12	F2.16	13-3
F1.13	13-23	F2.17	13-7
F1.14	13-23	F2.18	13-10
F1.15	13-24	F2.19	13-7
F1.16	13-23	F2.20	13-7
F1.17	13-24	F2.21	13-3
F1.18	13-24	F2.22	13-20, 13-21
F1.19	13-23	F2.23	13-13
F1.20	13-24	F2.24	13-18
F1.22	13-23	F2.25	13-18
F1.23	13-23	F2.26	13-14
F2.1	13-3	F2.27	13-15
F2.2	13-3	F2.28	13-18
F2.3	13-26	F2.29	13-15

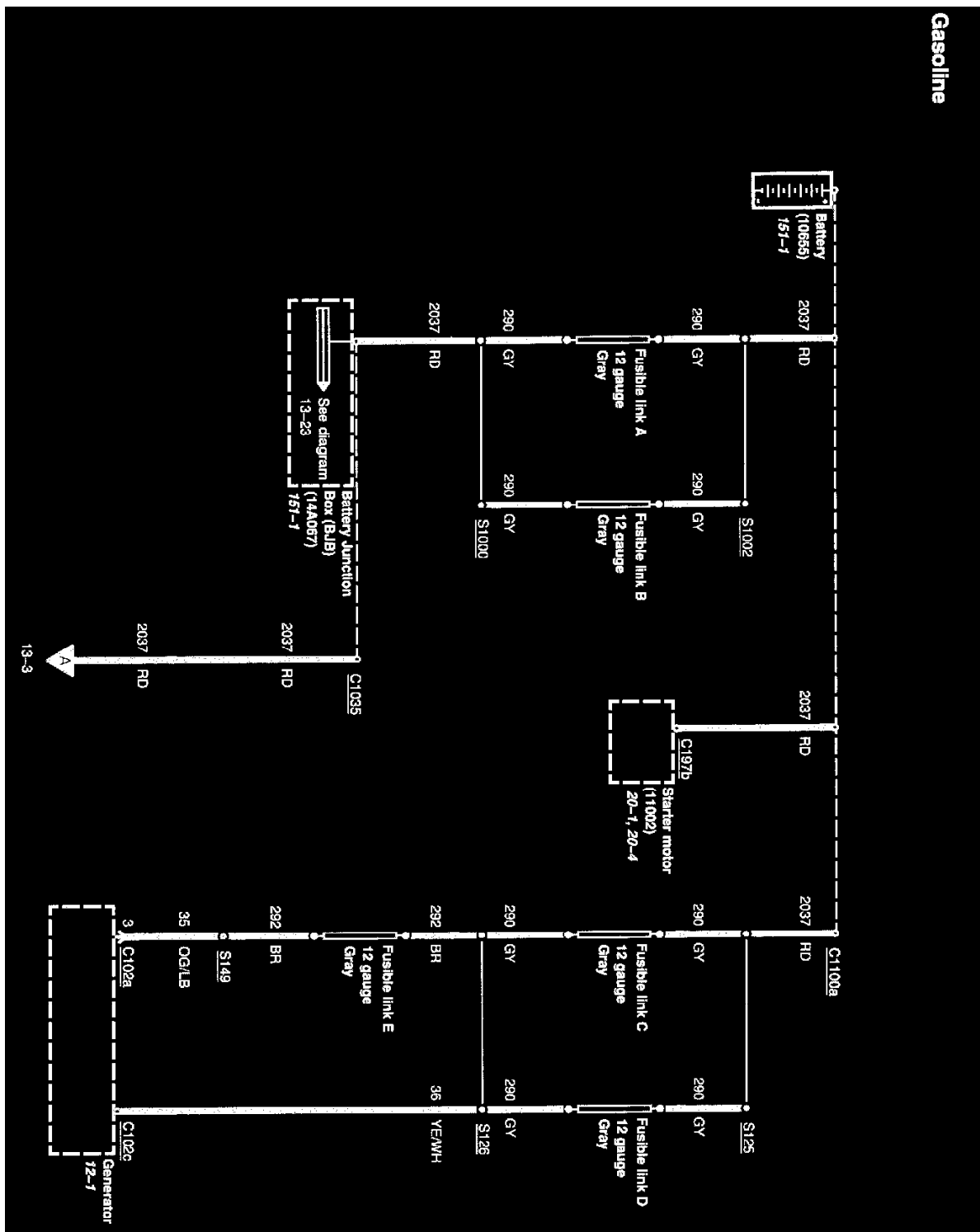
Battery - Fuse 2.29

F2.30	13-9	F2.108	13-26
F2.31	13-13	F2.109	13-26
F2.32	13-13	F2.110	13-12
F2.33	13-18	F2.111	13-10
F2.34	13-10	F2.112	13-11
F2.35	13-11	F2.113	13-4
F2.36	13-11	F2.114	13-5
F2.37	13-4	F2.115	13-26
F2.38	13-6	F2.116	13-12
F2.39	13-6	F2.601	13-6
F2.40	13-6	F2.602	13-5
F2.41	13-11	F2.701	13-26
F2.42	13-6	Fusable link A	13-1, 13-2
F2.43	13-19	Fusable link B	13-1, 13-2
F2.44	13-19	Fusable link C	13-1, 13-2
F2.45	13-19	Fusable link D	13-1, 13-2
F2.46	13-8	Fusable link E	13-1, 13-2
F2.47	13-8	Fusable link F	13-2
F2.48	13-18	Fusable link G	13-2
F2.101	13-11	Fusable link H	13-2
F2.102	13-11	Fusable link I	13-2
F2.103	13-12	Fusable link J	13-2
F2.104	13-4	Ignition switch	13-12
F2.105	13-4	Ignition transformer capacitors	13-14
F2.106	13-11	Main light switch	13-25
F2.107	13-4	Microprocessor	13-25

Fuse 2.30 - Microprocessor

13-1

PLEASE NOTE: Some diagrams may appear to be missing because of gaps in the number sequences. These "gaps" are actually for diagrams that do not apply to the vehicle model selected.



13-1

Next Diagram See: 13-3

Diagrams: Other diagrams referred to by number (See Diagram #-#, etc.) within these diagrams can be found at **Diagrams By Number**. See: Diagrams/Electrical Diagrams/Diagrams By Number

Locations: Location Views (reference numbers starting with 151-) referred to within these diagrams can be found at **Component Location Views**. See: Diagrams/Components/Component Location Views

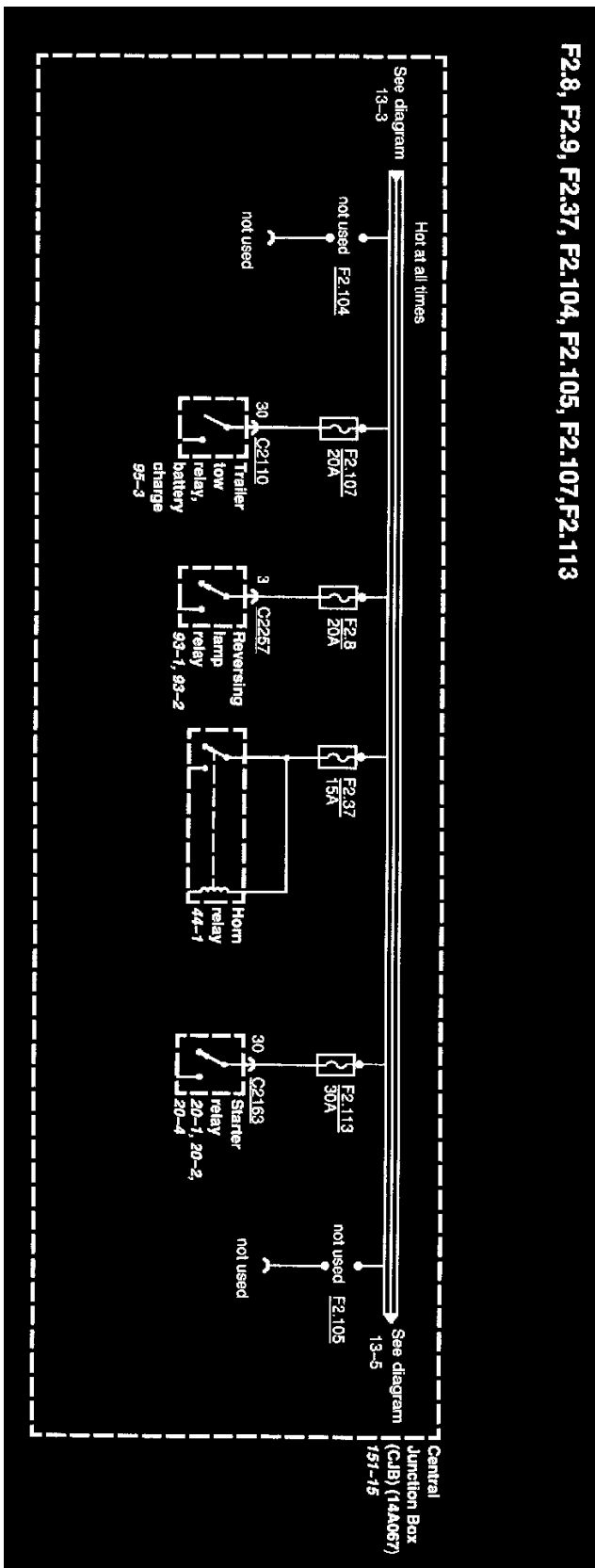
13-3

PLEASE NOTE: Some diagrams may appear to be missing because of gaps in the number sequences. These "gaps" are actually for diagrams that do not apply to the vehicle model selected.

Locations: Location Views (reference numbers starting with 151-) referred to within these diagrams can be found at **Component Location Views.**
See: Diagrams/Components/Component Location Views

13-4

PLEASE NOTE: Some diagrams may appear to be missing because of gaps in the number sequences. These "gaps" are actually for diagrams that do not apply to the vehicle model selected.



Next Diagram See: 13-5

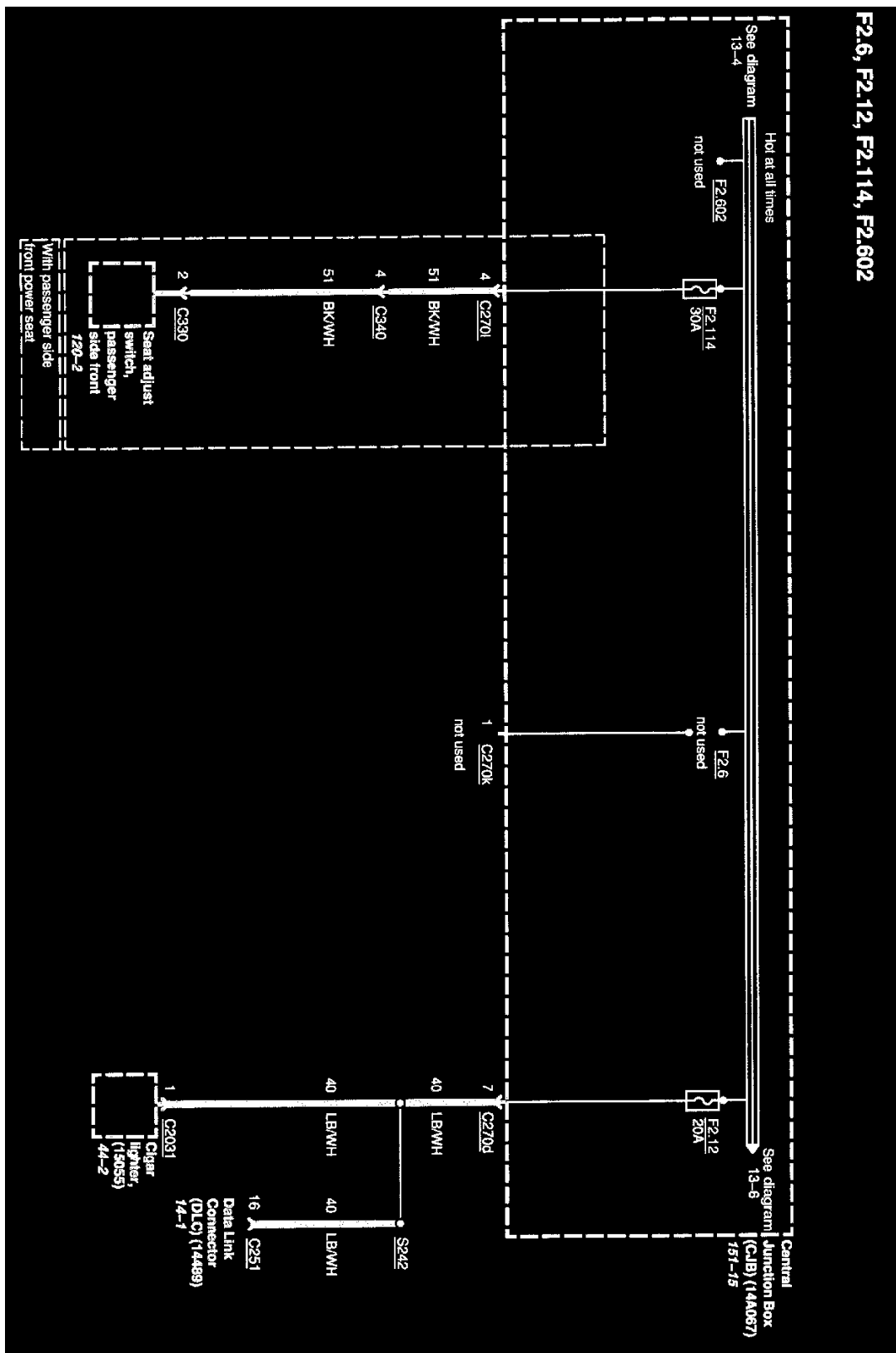
Previous Diagram See: 13-3

Diagrams: Other diagrams referred to by number (See Diagram #-#, etc.) within these diagrams can be found at **Diagrams By Number**. See: Diagrams/Electrical Diagrams/Diagrams By Number

Locations: Location Views (reference numbers starting with 151-) referred to within these diagrams can be found at **Component Location Views**. See: Diagrams/Components/Component Location Views

13-5

PLEASE NOTE: Some diagrams may appear to be missing because of gaps in the number sequences. These "gaps" are actually for diagrams that do not apply to the vehicle model selected.



13-5

Next Diagram See: 13-6

Previous Diagram See: 13-4

Diagrams: Other diagrams referred to by number (See Diagram #-#, etc.) within these diagrams can be found at **Diagrams By Number**. See: Diagrams/Electrical Diagrams/Diagrams By Number

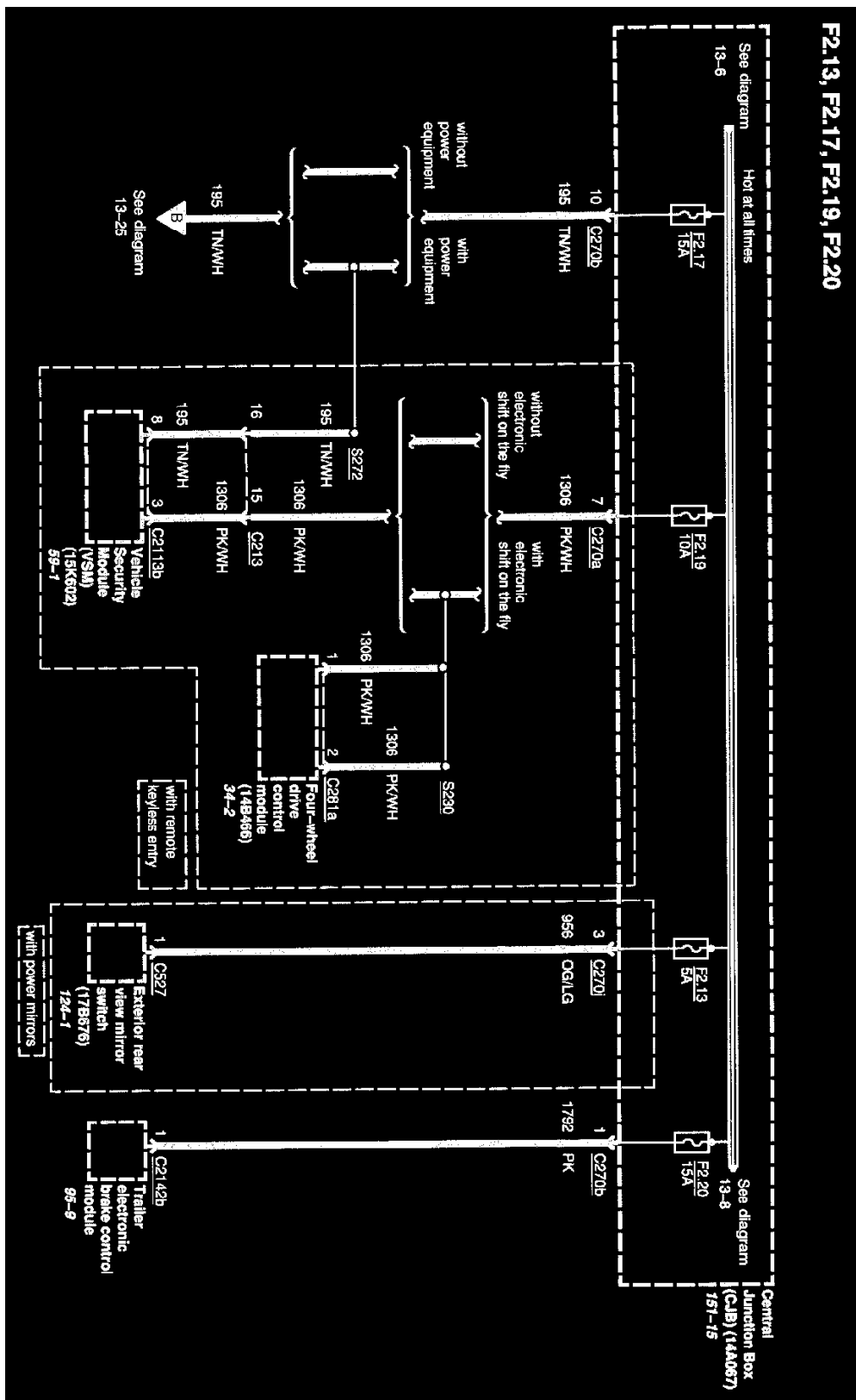
Locations: Location Views (reference numbers starting with 151-) referred to within these diagrams can be found at **Component Location Views**. See: Diagrams/Components/Component Location Views

Locations: Location Views (reference numbers starting with 151-) referred to within these diagrams can be found at **Component Location Views.**

See: Diagrams/Components/Component Location Views

13-7

PLEASE NOTE: Some diagrams may appear to be missing because of gaps in the number sequences. These "gaps" are actually for diagrams that do not apply to the vehicle model selected.



Next Diagram See: 13-8

Previous Diagram See: 13-6

Diagrams: Other diagrams referred to by number (See Diagram #-#, etc.) within these diagrams can be found at **Diagrams By Number**. See: Diagrams/Electrical Diagrams/Diagrams By Number

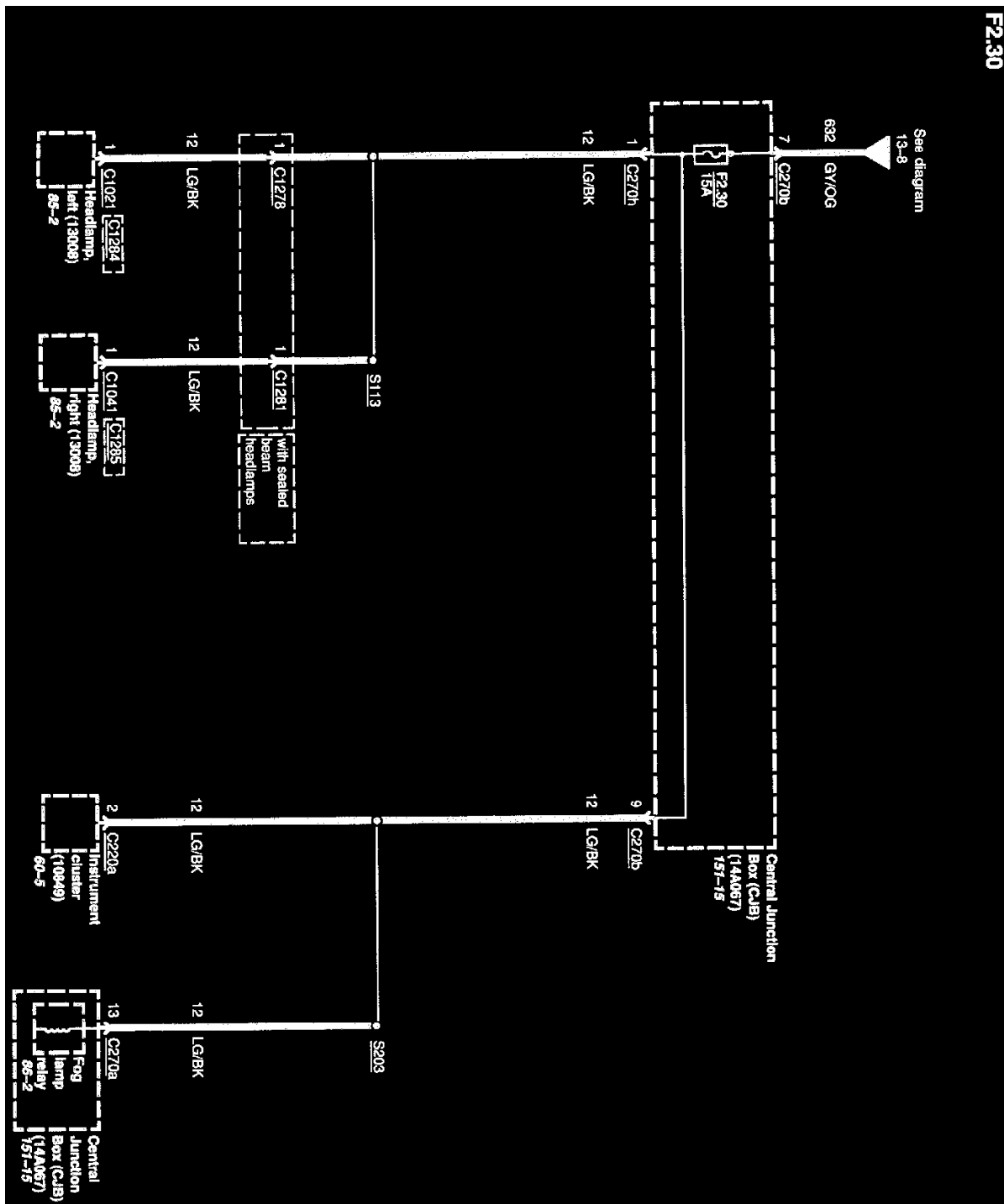
Locations: Location Views (reference numbers starting with 151-) referred to within these diagrams can be found at **Component Location Views**. See: Diagrams/Components/Component Location Views

13-8

PLEASE NOTE: Some diagrams may appear to be missing because of gaps in the number sequences. These "gaps" are actually for diagrams that do not apply to the vehicle model selected.

13-9

PLEASE NOTE: Some diagrams may appear to be missing because of gaps in the number sequences. These "gaps" are actually for diagrams that do not apply to the vehicle model selected.



13-9

Next Diagram See: 13-10

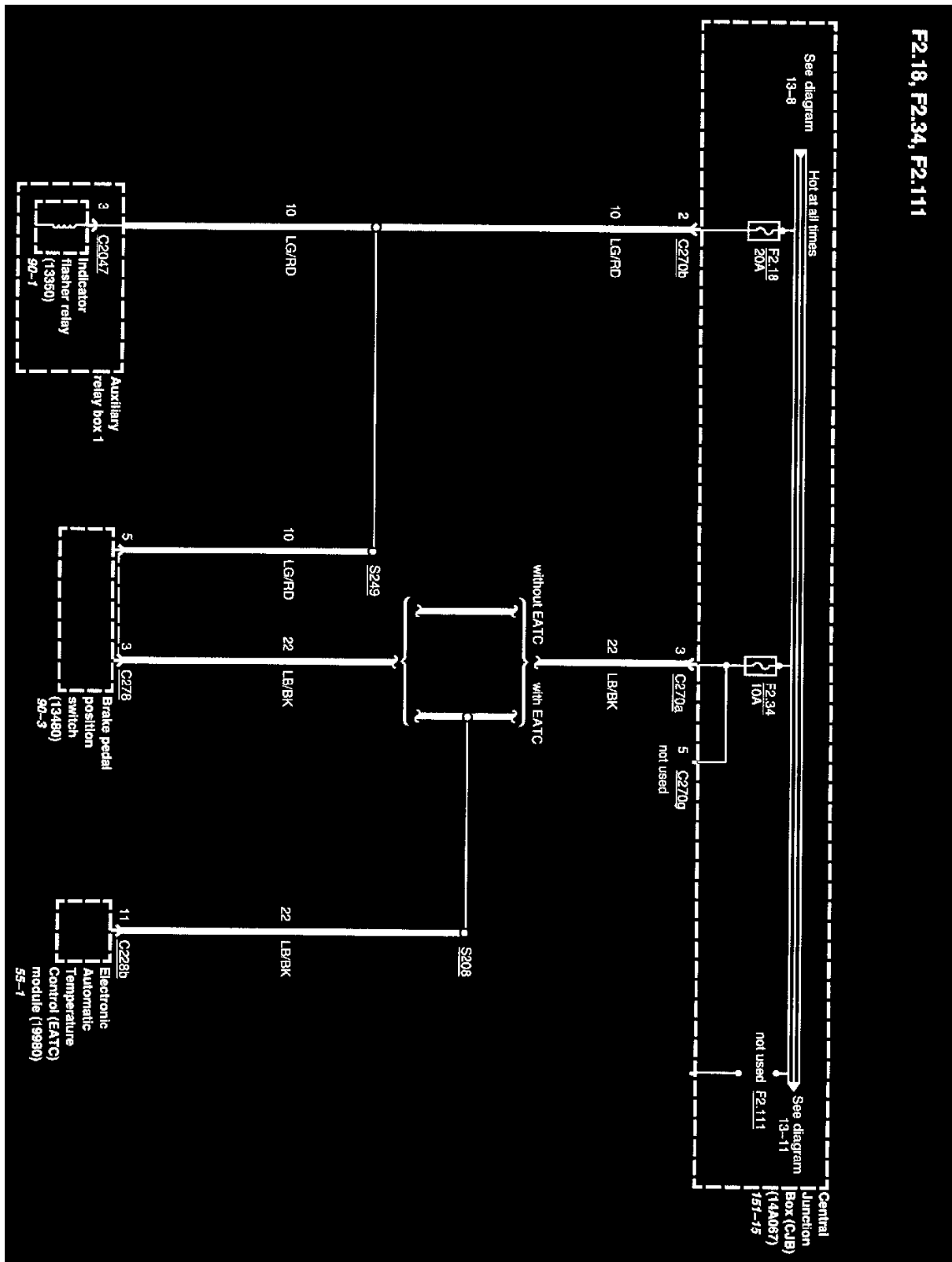
Previous Diagram See: 13-8

Diagrams: Other diagrams referred to by number (See Diagram #-#, etc.) within these diagrams can be found at **Diagrams By Number**. See: **Diagrams/Electrical Diagrams/Diagrams By Number**

Locations: Location Views (reference numbers starting with 151-) referred to within these diagrams can be found at **Component Location Views**. See: **Diagrams/Components/Component Location Views**

13-10

PLEASE NOTE: Some diagrams may appear to be missing because of gaps in the number sequences. These "gaps" are actually for diagrams that do not apply to the vehicle model selected.



Next Diagram See: 13-11

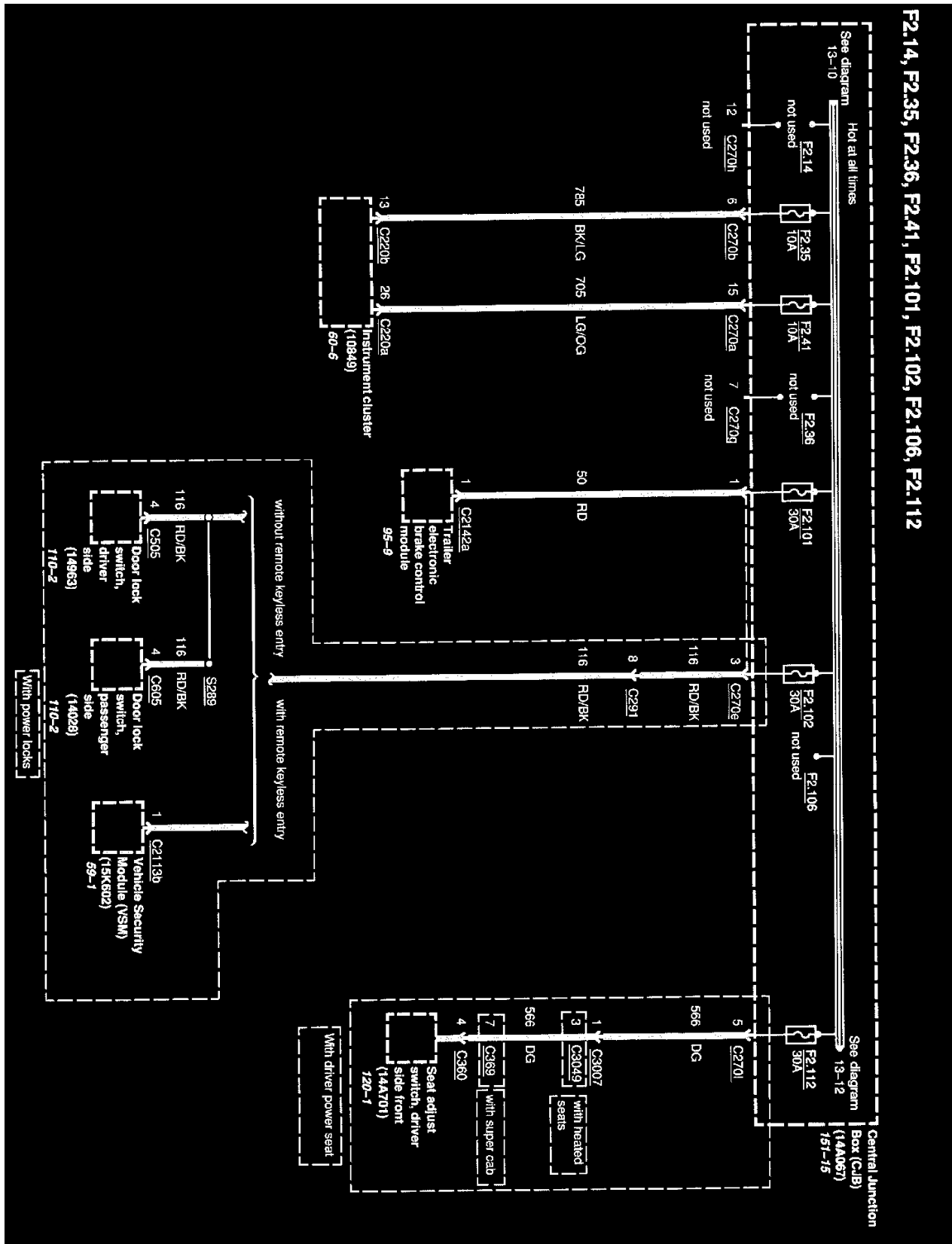
Previous Diagram See: 13-9

Diagrams: Other diagrams referred to by number (See Diagram #-#, etc.) within these diagrams can be found at **Diagrams By Number**. See: **Diagrams/Electrical Diagrams/Diagrams By Number**

Locations: Location Views (reference numbers starting with 151-) referred to within these diagrams can be found at **Component Location Views**.
 See: Diagrams/Components/Component Location Views

13-11

PLEASE NOTE: Some diagrams may appear to be missing because of gaps in the number sequences. These "gaps" are actually for diagrams that do not apply to the vehicle model selected.



Next Diagram See: 13-12

Previous Diagram See: 13-10

Diagrams: Other diagrams referred to by number (See Diagram #-#, etc.) within these diagrams can be found at **Diagrams By Number**. See: Diagrams/Electrical Diagrams/Diagrams By Number

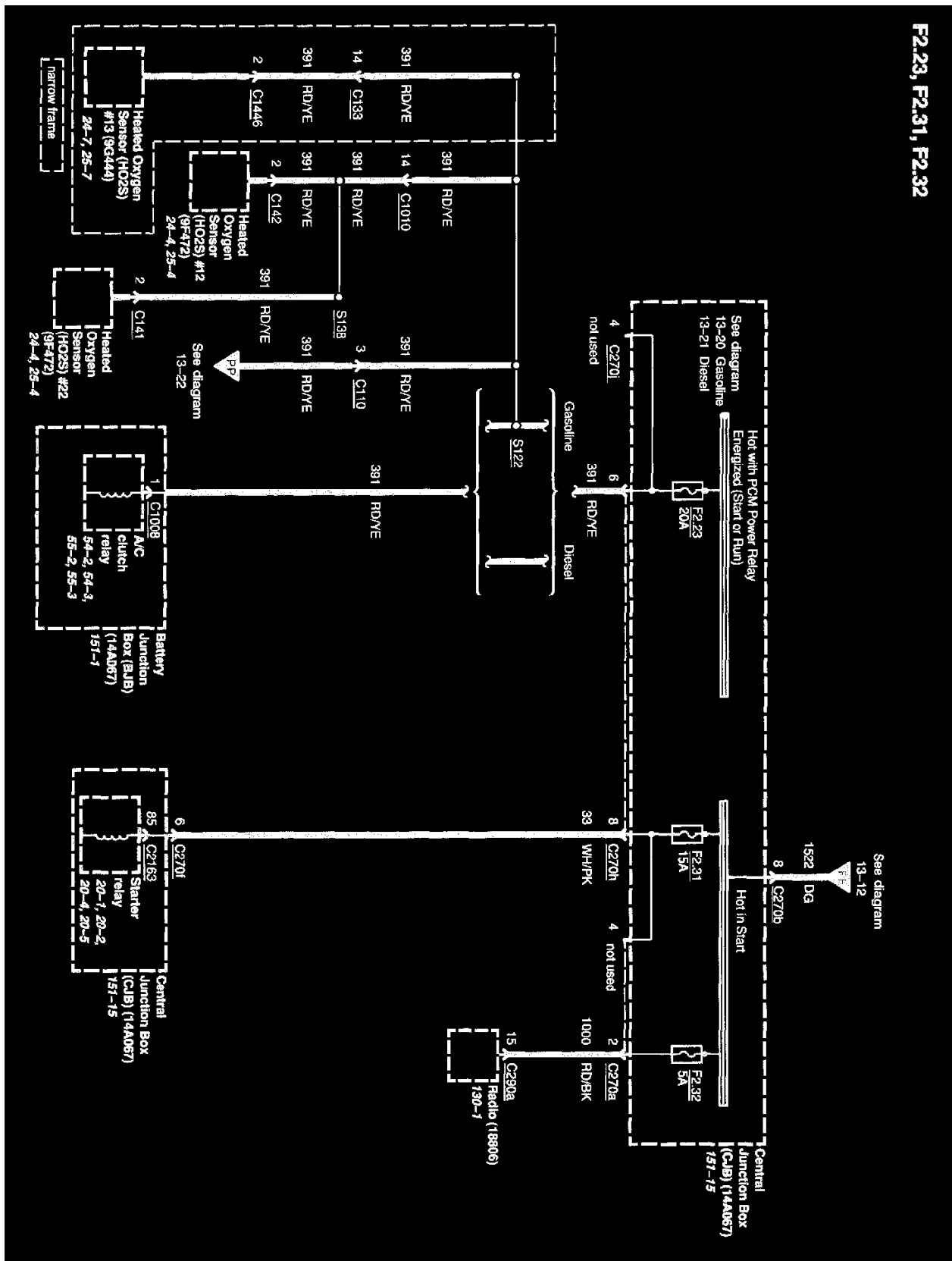
Locations: Location Views (reference numbers starting with 151-) referred to within these diagrams can be found at **Component Location Views**. See: Diagrams/Components/Component Location Views

13-12

PLEASE NOTE: Some diagrams may appear to be missing because of gaps in the number sequences. These "gaps" are actually for diagrams that do not apply to the vehicle model selected.

13-13

PLEASE NOTE: Some diagrams may appear to be missing because of gaps in the number sequences. These "gaps" are actually for diagrams that do not apply to the vehicle model selected.



13-14

Next Diagram See: 13-15

Previous Diagram See: 13-13

Diagrams: Other diagrams referred to by number (See Diagram ##-#, etc.) within these diagrams can be found at **Diagrams By Number**. See: Diagrams/Electrical Diagrams/Diagrams By Number

Locations: Location Views (reference numbers starting with 151-) referred to within these diagrams can be found at **Component Location Views**. See: Diagrams/Components/Component Location Views

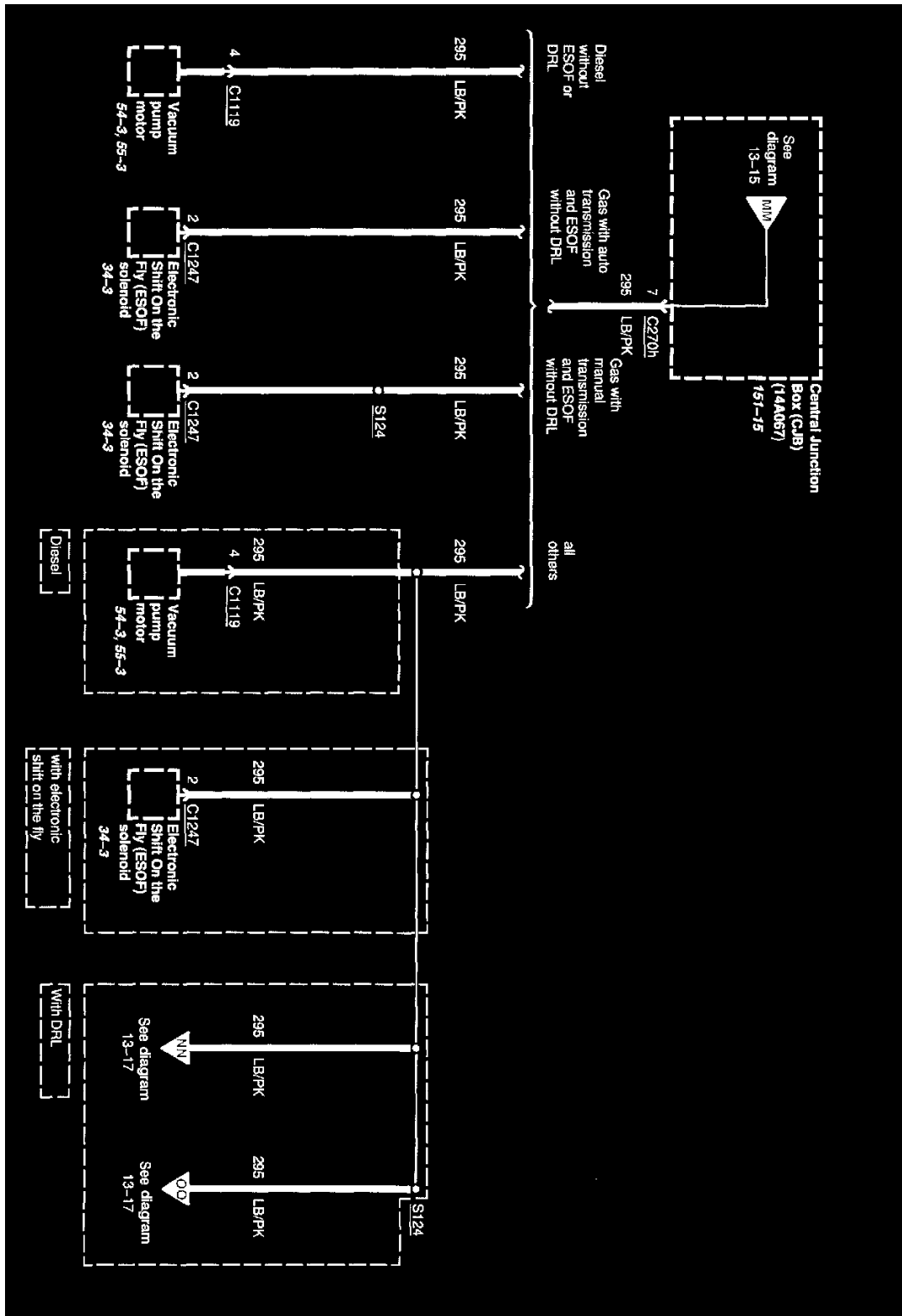
13-15

PLEASE NOTE: Some diagrams may appear to be missing because of gaps in the number sequences. These "gaps" are actually for diagrams that do not apply to the vehicle model selected.

See: Diagrams/Components/Component Location Views

13-16

PLEASE NOTE: Some diagrams may appear to be missing because of gaps in the number sequences. These "gaps" are actually for diagrams that do not apply to the vehicle model selected.



13-16

Next Diagram See: 13-17

Previous Diagram See: 13-15

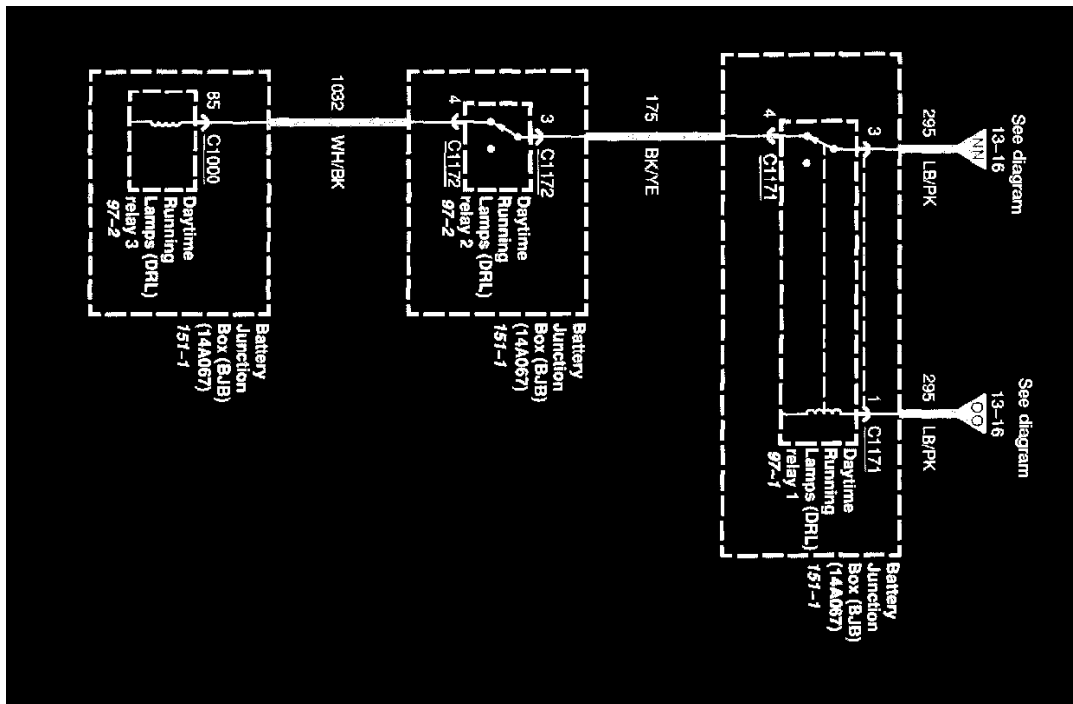
Diagrams: Other diagrams referred to by number (See Diagram #-#, etc.) within these diagrams can be found at **Diagrams By Number**. See:

Diagrams/Electrical Diagrams/Diagrams By Number

Locations: Location Views (reference numbers starting with 151-) referred to within these diagrams can be found at **Component Location Views**.
 See: Diagrams/Components/Component Location Views

13-17

PLEASE NOTE: Some diagrams may appear to be missing because of gaps in the number sequences. These "gaps" are actually for diagrams that do not apply to the vehicle model selected.



13-17

Next Diagram See: 13-18

Previous Diagram See: 13-16

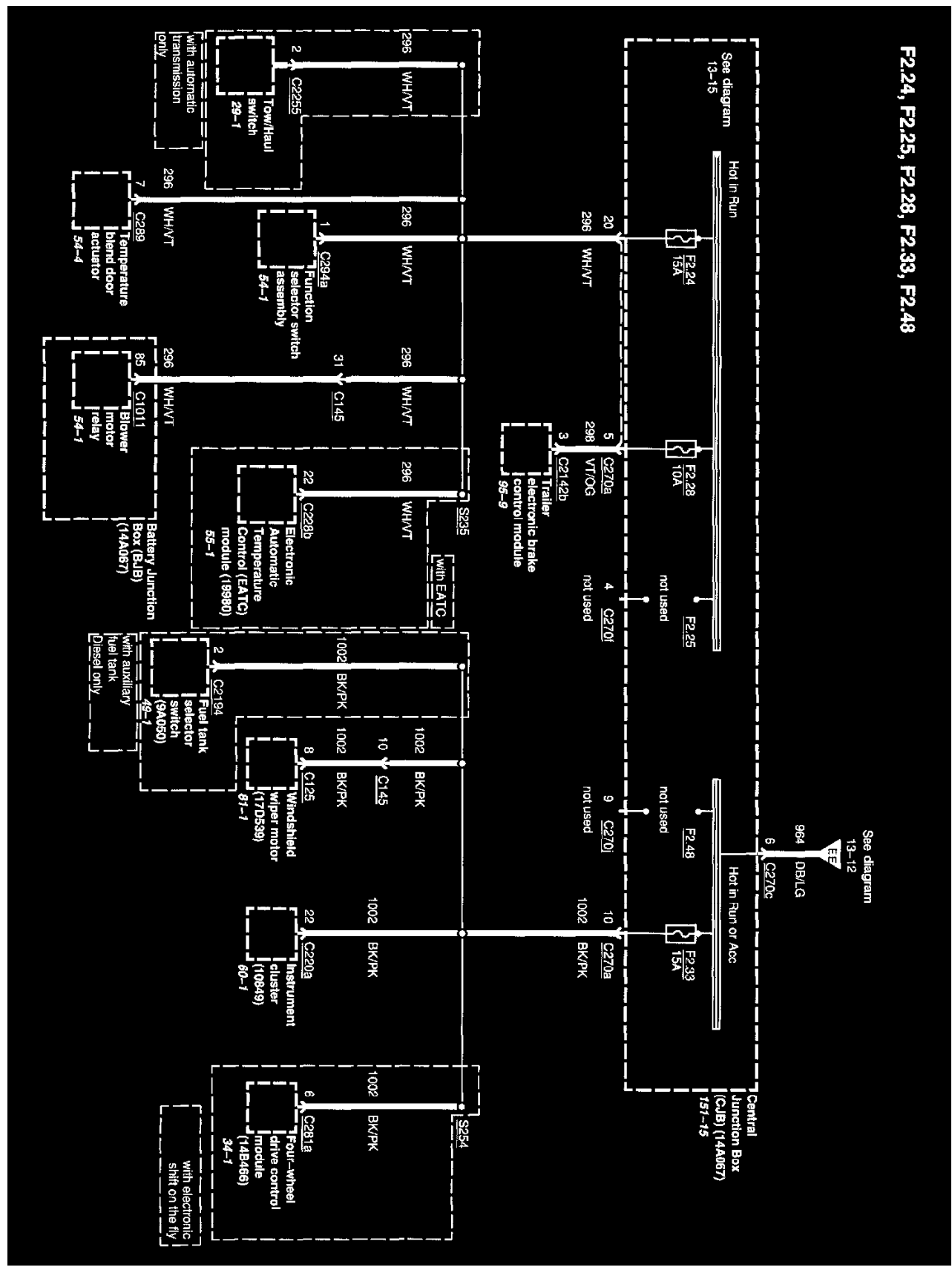
Diagrams: Other diagrams referred to by number (See Diagram #-#, etc.) within these diagrams can be found at **Diagrams By Number**. See: Diagrams/Electrical Diagrams/Diagrams By Number

Locations: Location Views (reference numbers starting with 151-) referred to within these diagrams can be found at **Component Location Views**.
 See: Diagrams/Components/Component Location Views

13-18

PLEASE NOTE: Some diagrams may appear to be missing because of gaps in the number sequences. These "gaps" are actually for diagrams that do not apply to the vehicle model selected.

F2.24, F2.25, F2.28, F2.33, F2.48



Next Diagram See: 13-19

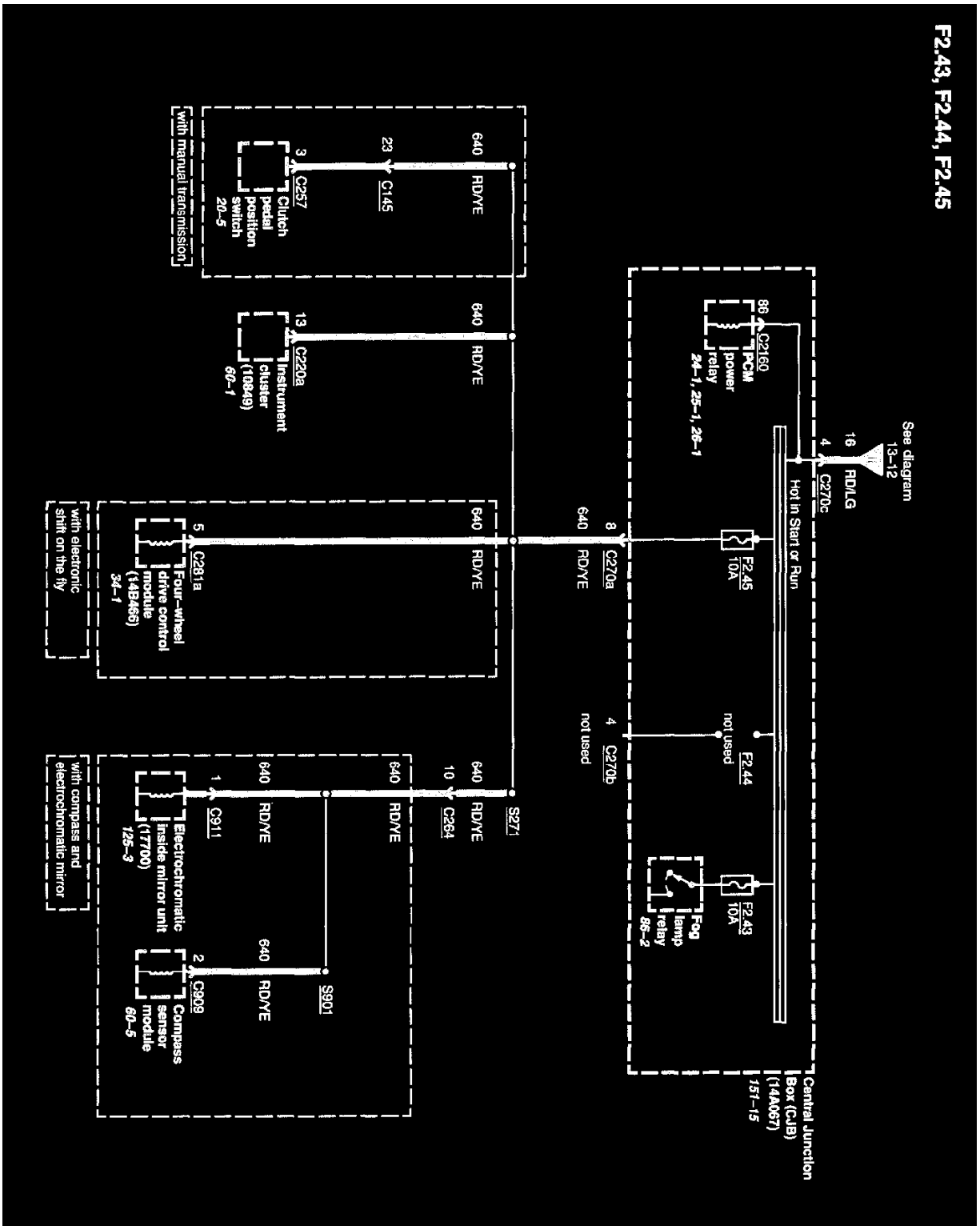
Previous Diagram See: 13-17

Diagrams: Other diagrams referred to by number (See Diagram #-#, etc.) within these diagrams can be found at **Diagrams By Number**. See: **Diagrams/Electrical Diagrams/Diagrams By Number**

Locations: Location Views (reference numbers starting with 151-) referred to within these diagrams can be found at **Component Location Views**.
 See: Diagrams/Components/Component Location Views

13-19

PLEASE NOTE: Some diagrams may appear to be missing because of gaps in the number sequences. These "gaps" are actually for diagrams that do not apply to the vehicle model selected.

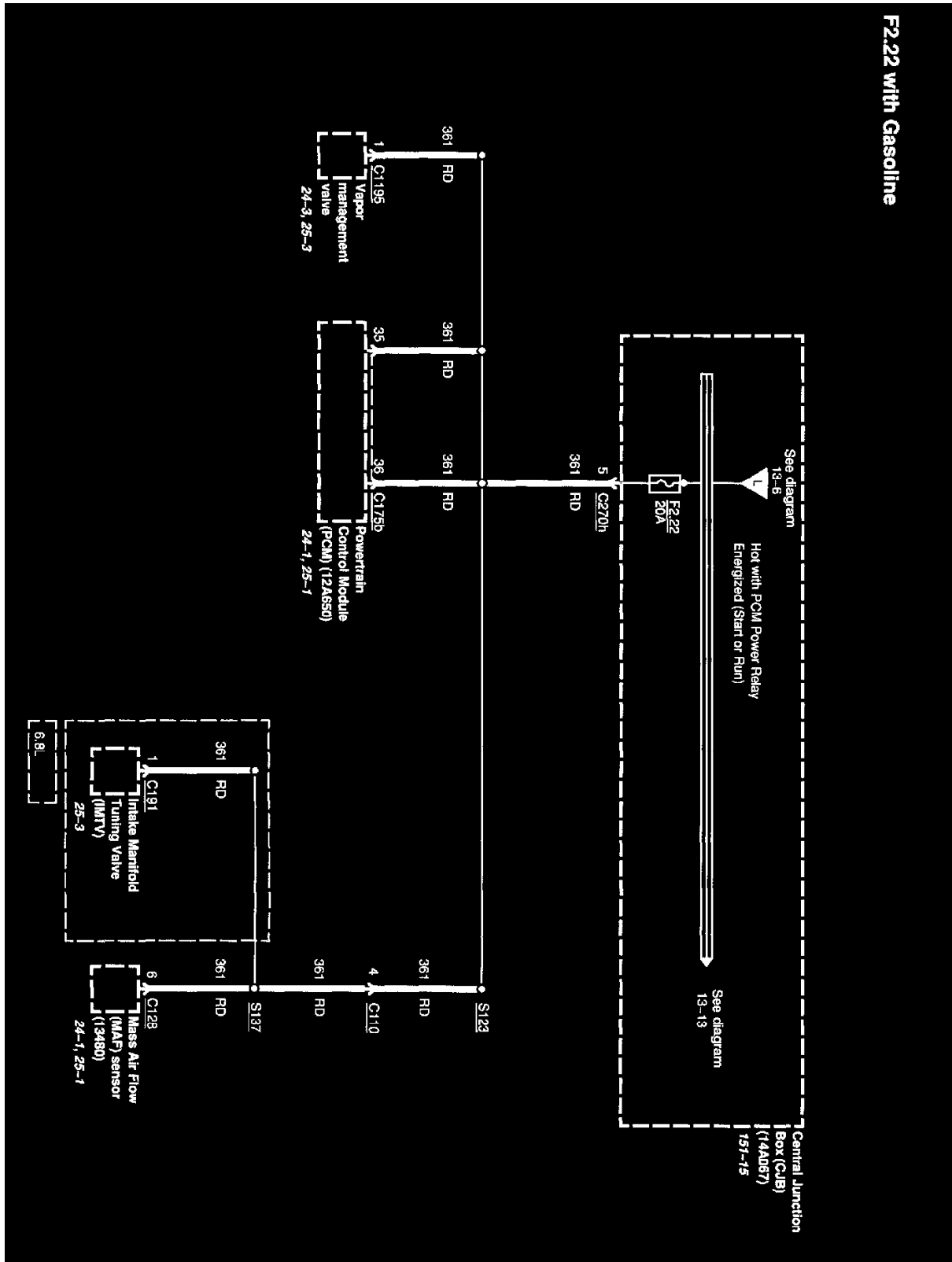


Diagrams: Other diagrams referred to by number (See Diagram #-#, etc.) within these diagrams can be found at **Diagrams By Number**. See: Diagrams/Electrical Diagrams/Diagrams By Number

Locations: Location Views (reference numbers starting with 151-) referred to within these diagrams can be found at **Component Location Views**. See: Diagrams/Components/Component Location Views

13-20

PLEASE NOTE: Some diagrams may appear to be missing because of gaps in the number sequences. These "gaps" are actually for diagrams that do not apply to the vehicle model selected.



Next Diagram See: 13-22

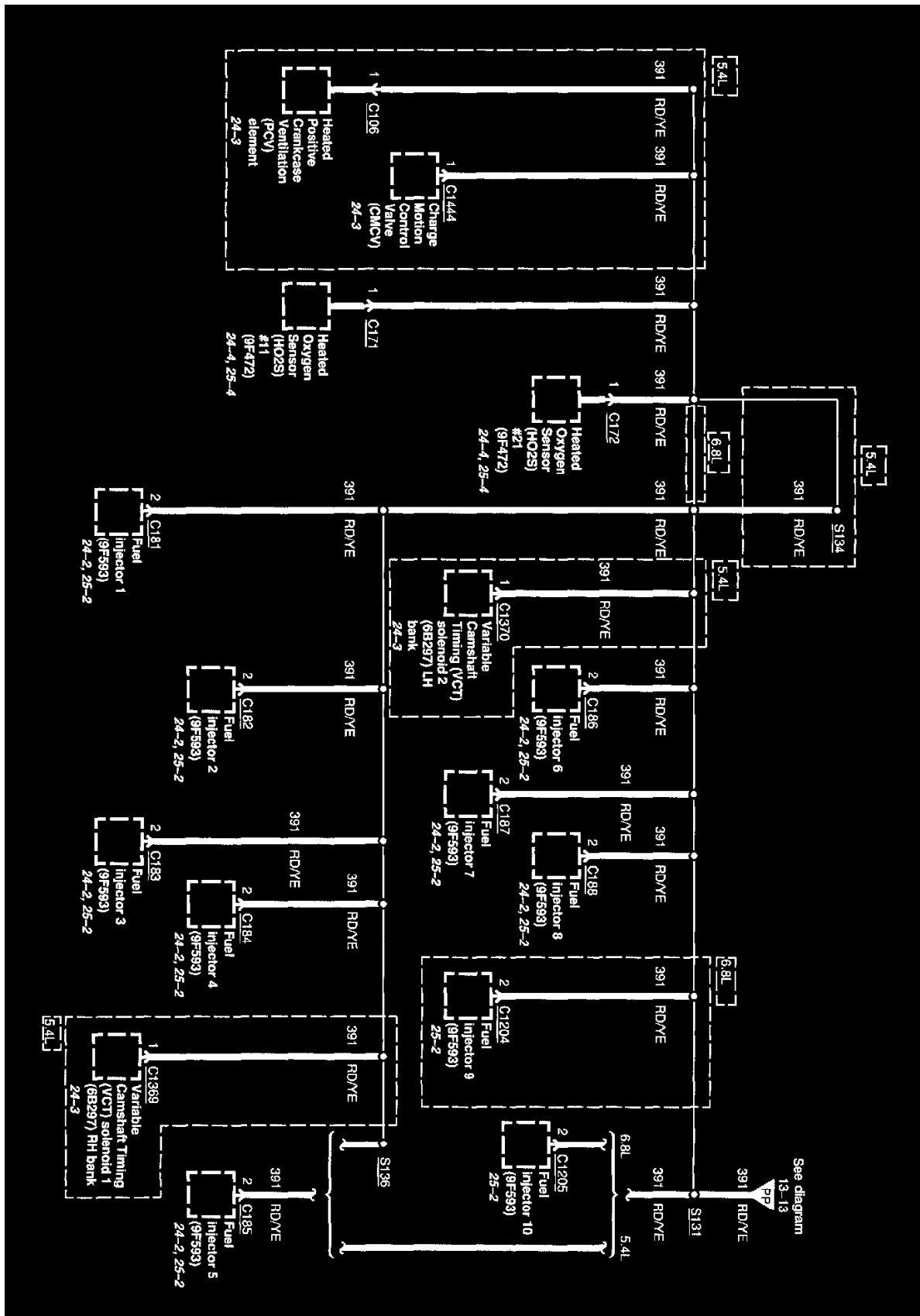
Previous Diagram See: 13-19

Diagrams: Other diagrams referred to by number (See Diagram #-#, etc.) within these diagrams can be found at **Diagrams By Number**. See: Diagrams/Electrical Diagrams/Diagrams By Number

Locations: Location Views (reference numbers starting with 151-) referred to within these diagrams can be found at **Component Location Views**. See: Diagrams/Components/Component Location Views

13-22

PLEASE NOTE: Some diagrams may appear to be missing because of gaps in the number sequences. These "gaps" are actually for diagrams that do not apply to the vehicle model selected.



13-22

Next Diagram See: 13-23

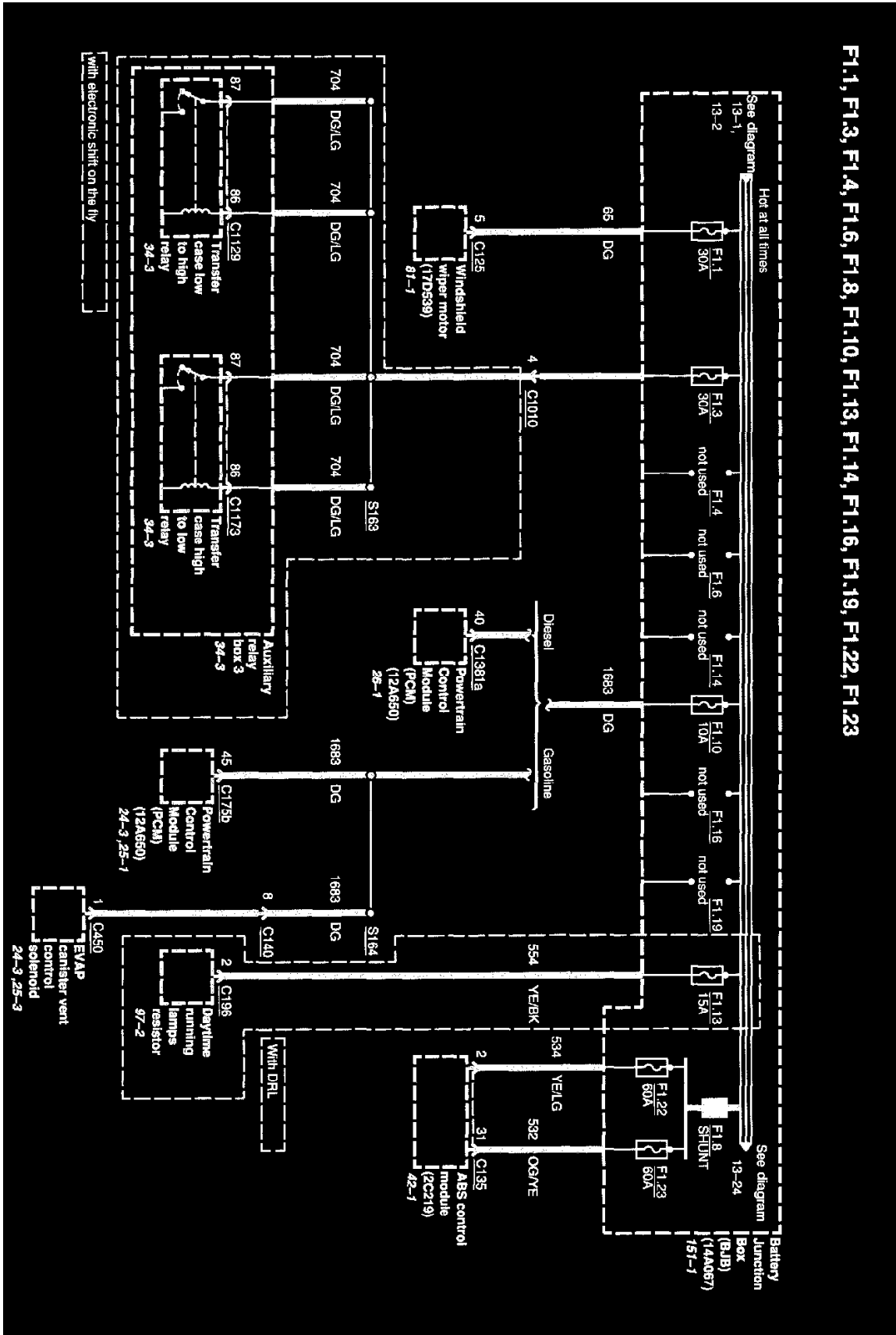
Previous Diagram See: 13-20

Diagrams: Other diagrams referred to by number (See Diagram #-#, etc.) within these diagrams can be found at **Diagrams By Number**. See: **Diagrams/Electrical Diagrams/Diagrams By Number**

Locations: Location Views (reference numbers starting with 151-) referred to within these diagrams can be found at **Component Location Views**.
See: Diagrams/Components/Component Location Views

113-23

PLEASE NOTE: Some diagrams may appear to be missing because of gaps in the number sequences. These "gaps" are actually for diagrams that do not apply to the vehicle model selected.



13-23

Next Diagram See: 13-24

Previous Diagram See: 13-22

Diagrams: Other diagrams referred to by number (See Diagram ##-#, etc.) within these diagrams can be found at **Diagrams By Number**. See: Diagrams/Electrical Diagrams/Diagrams By Number

Locations: Location Views (reference numbers starting with 151-) referred to within these diagrams can be found at **Component Location Views**. See: Diagrams/Components/Component Location Views

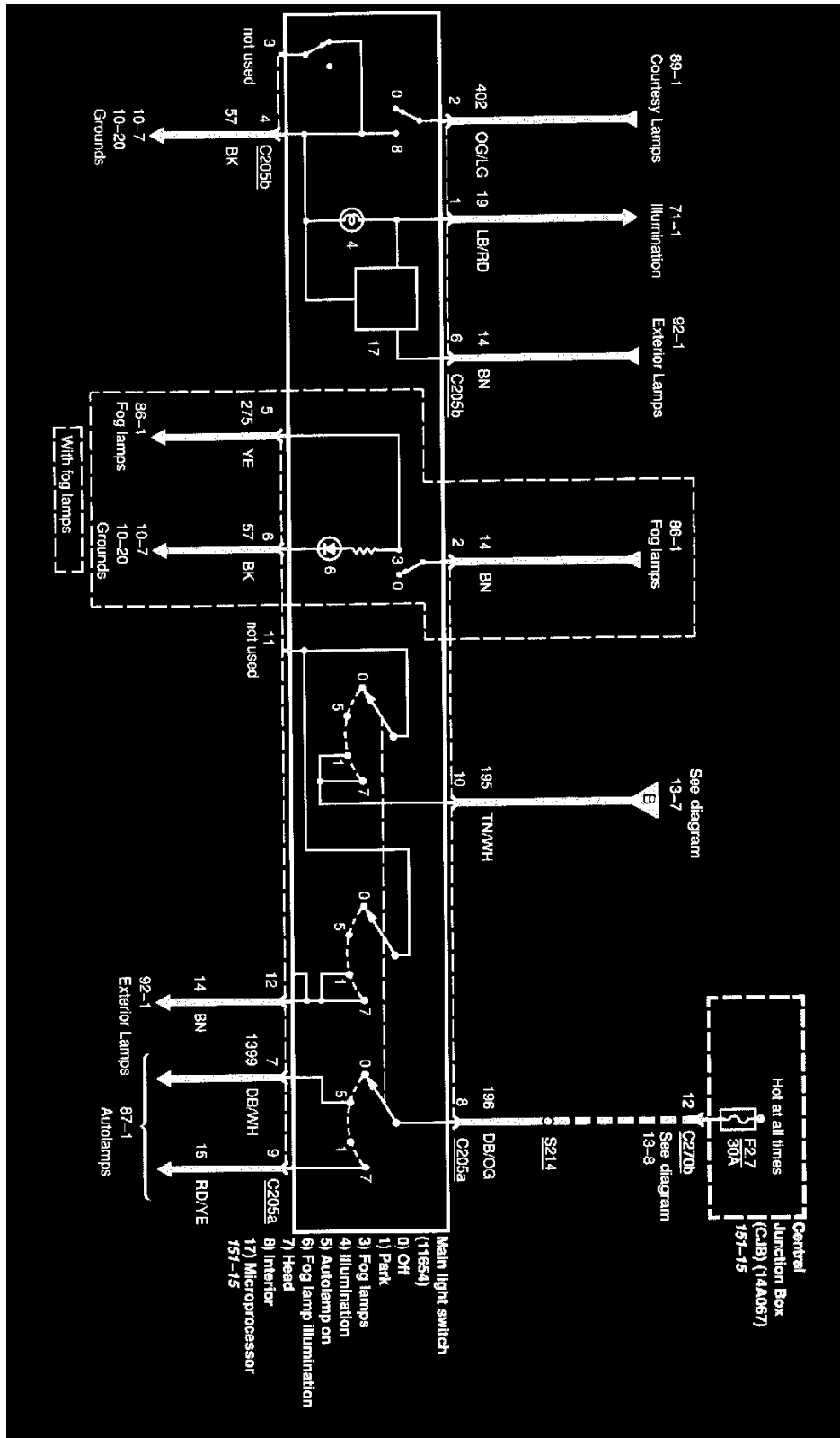
13-24

PLEASE NOTE: Some diagrams may appear to be missing because of gaps in the number sequences. These "gaps" are actually for diagrams that do not apply to the vehicle model selected.

See: Diagrams/Components/Component Location Views

13-25

PLEASE NOTE: Some diagrams may appear to be missing because of gaps in the number sequences. These "gaps" are actually for diagrams that do not apply to the vehicle model selected.



13-25

Next Diagram See: 13-26

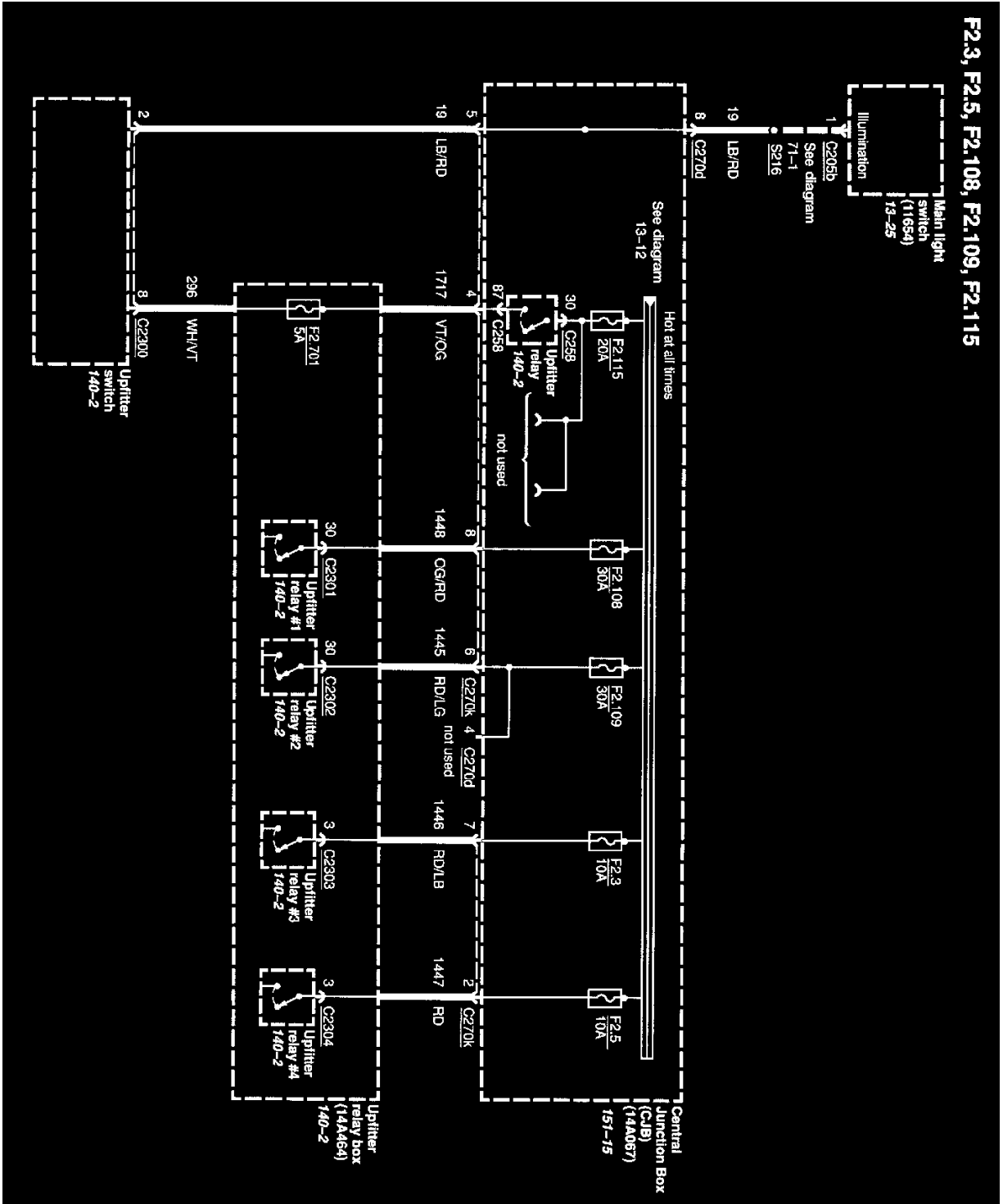
Previous Diagram See: 13-24

Diagrams: Other diagrams referred to by number (See Diagram #-#, etc.) within these diagrams can be found at **Diagrams By Number**. See: Diagrams/Electrical Diagrams/Diagrams By Number

Locations: Location Views (reference numbers starting with 151-) referred to within these diagrams can be found at **Component Location Views**. See: Diagrams/Components/Component Location Views

13-26

PLEASE NOTE: Some diagrams may appear to be missing because of gaps in the number sequences. These "gaps" are actually for diagrams that do not apply to the vehicle model selected.



Diagrams: Other diagrams referred to by number (See Diagram #-#, etc.) within these diagrams can be found at **Diagrams By Number**. See:

Diagrams/Electrical Diagrams/Diagrams By Number

Locations: Location Views (reference numbers starting with 151-) referred to within these diagrams can be found at **Component Location Views.**

See: Diagrams/Components/Component Location Views