

## Vehicle: Locations

### Component Location Index

**PLEASE NOTE:** If a link on the Component Location Index to a View is not provided, that means that the Component and/or View in question does NOT apply to the vehicle model selected.

Components	Location	View 151-*/coordinates
4x4 High/Low indicator switch	on transfer case, top	14 - D7
A/C clutch field coil (19D798) - 6.0L Diesel	engine, front, on A/C compressor	13 - E7
A/C clutch field coil (19D798) - 6.8L	engine, front, on A/C compressor	10 - D1
A/C clutch field coil (19D798) - 5.4L	engine, front, on A/C compressor	7 - D2
A/C clutch relay	in Battery Junction Box (BJB)	1 - B8
A/C Compressor clutch diode	under dash panel, LH side	15 - E4
A/C compressor cycling switch (19E561) - Diesel	engine compartment, RH side	3 - B1
A/C compressor cycling switch (19E561)	engine compartment, RH side	30 - C7
A/C high pressure switch (19D594) - 5.4L	engine, front, RH side	7 - C2
A/C high pressure switch (19D594) - 6.8L	engine, front, RH side	10 - C1
ABS control module (2C219) - Diesel	engine compartment, LH side	5 - A7
ABS control module (2C219)	engine compartment, LH side	6 - A7
Accelerator pedal position sensor	on accelerator pedal support	16 - F4
Accessory delay relay	in Central Junction Box (CJB)	15 - E4
Adjustable pedal motor (9G662)	in LH front footwell	16 - E5
Adjustable pedal switch	dash panel, LH side	16 - D8
Air bag sliding contact (14A664)	on steering column	17 - F7
Air filter sensor - Diesel	engine compartment, LH side, on air cleaner housing	3 - D7
Ambient air temperature sensor (19E702)	engine compartment, front	1 - E7
Auxiliary relay box 1	dash panel, center	16 - E4
Auxiliary relay box 3	engine compartment, LH side, rear	1 - A8
Barometric Absolute Pressure (BAP) sensor	behind dash panel, LH side, near steering column	17 - F4
Battery (10655)	engine compartment, RH side	1 - D2
Battery (10655) - Diesel	engine compartment, RH side	3 - D2
Battery II - Diesel	engine compartment, LH side	3 - D7
Battery Junction Box (BJB) (14A067)	engine compartment, LH side, rear	1 - B8
Battery saver relay	in Instrument Cluster (not serviceable)	15 - B4
Blower motor relay	in Battery Junction Box (BJB)	1 - B8
Blower motor speed controller (19E624)	engine compartment, RH side	30 - D7
Brake fluid level switch (2L414) - Diesel	engine compartment, LH side	5 - A5
Brake fluid level switch (2L414)	engine compartment, LH side	6 - A6
Brake pedal position switch (13480)	on brake pedal support	16 - E7
Brake pressure switch (2B264) - Diesel	engine compartment, LH side, rear	5 - E4
Brake pressure switch (2B264)	engine compartment, LH side, rear	6 - E4
Brake pressure transducer	engine compartment, LH rear	16 - F5
Brake shift interlock	on steering column	16 - E6
Camshaft position sensor (6B388) - 6.8L	engine, upper, on front of RH cylinder head	10 - C1
Camshaft position sensor (6B388) - 6.0L Diesel	engine, LH side, bottom	12 - F4

Components	Location	View 151-#/coordinates
Camshaft position sensor LH bank (6B288) - 5.4L engine, upper, on front of LH cylinder head		7 - E7
Camshaft position sensor RH bank (6B288) - 5.4L engine, upper, on front of RH cylinder head		7 - C1
Central Junction Box (CJB) (14A067) under dash panel, LH side		16 - E8
Charge Motion Control Valve (CMCV) - 5.4L engine, rear		8 - D3
Cigar lighter (15055) dash panel, center, bottom		17 - D3
Clutch pedal position switch on clutch pedal support		17 - D8
Coil On Plug (COP) 1 (12A366) - 5.4L engine, top, RH side		8 - D7
Coil On Plug (COP) 1 (12A366) - 6.8L engine, top, RH side		11 - D8
Coil On Plug (COP) 1 (12A366) - 6.8L engine, top, LH side		10 - C7
Coil On Plug (COP) 2 (12A366) - 5.4L engine, top, RH side		8 - D7
Coil On Plug (COP) 2 (12A366) - 6.8L engine, top, RH side		11 - D8
Coil On Plug (COP) 3 (12A366) - 5.4L engine, top, RH side		8 - E7
Coil On Plug (COP) 3 (12A366) - 6.8L engine, top, RH side		11 - E8
Coil On Plug (COP) 4 (12A366) - 5.4L engine, top, RH side		8 - E7
Coil On Plug (COP) 4 (12A366) - 6.8L engine, top, RH side		11 - E8
Coil On Plug (COP) 5 (12A366) - 5.4L engine, LH side		7 - E6
Coil On Plug (COP) 5 (12A366) - 6.8L engine, top, LH side		11 - E8
Coil On Plug (COP) 5 (12A366) - 6.8L engine, top, LH side		11 - E8
Coil On Plug (COP) 6 (12A366) - 6.8L engine, top, LH side		10 - F7
Coil On Plug (COP) 6 (12A366) - 5.4L engine, top, LH side		7 - E7
Coil On Plug (COP) 7 (12A366) - 5.4L engine, top, LH side		7 - D7
Coil On Plug (COP) 7 (12A366) - 6.8L engine, top, LH side		10 - E7
Coil On Plug (COP) 8 (12A366) - 5.4L engine, top, LH side		7 - C7
Coil On Plug (COP) 8 (12A366) - 6.8L engine, top, LH side		10 - E7
Coil On Plug (COP) 9 (12A366) - 6.8L engine, top, LH side		10 - C6
Compass sensor module - roof, LH side, front overhead console		28 - C1
Crankshaft position sensor (6C315) - 5.4L engine, front, behind crankshaft pulley		7 - E3
Crankshaft position sensor (6C315) - 6.0L Diesel engine, RH side, below glow plug bank		13 - E6
Crankshaft position sensor (6C315) - 6.8L engine, front, behind crankshaft pulley		10 - E1
Cylinder head temperature sensor (6G004) - 5.4L engine, top, LH side		8 - F4
Cylinder head temperature sensor (6G004) - 6.8L engine, top, LH side		11 - B7
Data Link Connector (DLC) (14489) under dash panel, LH side		17 - E5
Daytime Running Lamps (DRL) relay 1 in Battery Junction Box (BJB)		1 - B8
Daytime Running Lamps (DRL) relay 2 in Battery Junction Box (BJB)		1 - B8
Daytime Running Lamps (DRL) relay 3 in Battery Junction Box (BJB)		1 - B8
Daytime running lamps resistor - Diesel engine compartment, front, LH side		3 - F5
Door ajar switch, driver side front (14018) in driver door		22 - E2
Door ajar switch, driver side rear (14018) in LH rear door		26 - C2

Components	Location	View 1S1-*/coordinates
Door ajar switch, passenger side front (14018)	in passenger door	23 - C7
Door ajar switch, passenger side rear (14018)	in RH rear door	27 - E7
Door lock actuator, left front (218A42)	in driver door	22 - B2
Door lock actuator, left rear (218A43)	in LH rear door	26 - E2
Door lock actuator, passenger side (218A42)	in passenger door	23 - D7
Door lock actuator, right rear (218A42)	in RH rear door	27 - D7
Door lock relay	in Vehicle Security Module (VSM) (not serviceable)	28 - C1
Door lock switch, driver side (14963)	in driver door, top	22 - A3
Door lock switch, passenger side (14028)	in passenger door, top of door trim	23 - A4
Driver air bag unit (78043B13)	on steering column	14 - C3
Driver door unlock relay	in Vehicle Security Module (VSM) (not serviceable)	28 - C1
Dual knock sensor - 6.8L engine, RH side, rear		11 - F3
Dual pressure switch (19D594) - 6.0L Diesel engine, front, rear bottom		13 - E7
EGR temperature sensor - 6.0L Diesel engine, top, RH side, front		13 - B6
EGR valve actuator - 6.0L Diesel engine, top, near throttle body		13 - A6
Electrochromatic inside mirror unit (17700)	roof, front, center	28 - B1
Electronic Automatic Temperature Control (EATC) module (19980)	dash panel, center	16 - E3
Electronic Automatic Temperature Control (EATC) module (19980)	dash panel, center	16 - A5
Electronic fan clutch - 6.0L Diesel engine, top, front		12 - E2
Electronic Shift On the Fly (ESOF) solenoid engine compartment, RH side		1 - C2
Electronic Shift On the Fly (ESOF) solenoid - Diesel engine compartment, RH side		3 - C1
Electronic Shift On the Fly (ESOF) solenoid engine compartment, RH side, rear		30 - C1
Electronic Throttle Control (ETC) motor (9F991) - 6.0L Diesel engine, attached to throttle body		13 - B7
Electronic Throttle Control (ETC) motor (9F991) - 6.8L engine, attached to throttle body		10 - A5
Electronic Throttle Control (ETC) motor (9F991) - 5.4L engine, attached to throttle body		8 - C2
Engine compartment lamp engine compartment		6 - A7
Engine compartment lamp - Diesel engine compartment		5 - A6
Engine Coolant Temperature (ECT) sensor (12A648) - 6.0L Diesel engine, front, LH side, near thermostat housing		12 - E2
Engine Oil Temperature (EOT) sensor - 5.4L engine, top on oil reservoir		8 - F5
Engine Oil Temperature (EOT) sensor - 6.0L Diesel engine, top on oil reservoir		13 - C7
EVAP canister vent control solenoid vehicle underbody, LH side, by axle		31 - B4
Exhaust Back Pressure (EBP) sensor - 6.0L Diesel engine, near camshaft pulley, LH side		12 - F3
Exterior rear view mirror switch (17B676) in driver door		22 - C7
Exterior rear view mirror, driver side (17682) driver's door (exterior)		22 - B7
Exterior rear view mirror, passenger side (17683) front of passenger door exterior		23 - B2
F1.1 in Battery Junction Box (B1B)		1 - B8



Components	Location	View 151-*/coordinates
F2,107	in Central Junction Box (CJB)	16 - E8
F2,108	in Central Junction Box (CJB)	16 - E8
F2,109	in Central Junction Box (CJB)	16 - F8
F2,110	in Central Junction Box (CJB)	16 - E8
F2,111	in Central Junction Box (CJB)	16 - E8
F2,112	in Central Junction Box (CJB)	16 - E8
F2,113	in Central Junction Box (CJB)	16 - E8
F2,114	in Central Junction Box (CJB)	16 - E8
F2,115	in Central Junction Box (CJB)	16 - E8
F2,116	in Central Junction Box (CJB)	16 - E8
F2,601	in Central Junction Box (CJB)	16 - E8
F2,602	in Central Junction Box (CJB)	16 - E8
F2,701	in Upfitter Relay Box	16 - E3
Fog lamp relay		
in Central Junction Box (CJB) (not serviceable)		16 - E8
Fog lamp, left front (15200) - Diesel		
front of vehicle, (exterior), LH side		3 - F5
Fog lamp, right front (15200) - Diesel		
front of vehicle, (exterior), RH side		3 - F3
Hour-wheel drive control module (14B466)		
under dash panel, RH side		16 - F3
Four-wheel drive switch		
dash panel, LH side		16 - A7
Fuel heater relay		
in Battery Junction Box (BJB)		1 - B8
Fuel injector 1 (9F593) - 5.4L		
engine, top, RH side		7 - A2
Fuel injector 1 (9F593) - 5.4L		
engine, top, RH side		8 - B7
Fuel injector 1 (9F593) - 6.0L Diesel		
engine, top, RH side		12 - C2
Fuel injector 1 (9F593) - 6.8L		
engine, top, RH side		11 - B7
Fuel injector 10 (9F593) - 6.8L		
engine, top, LH side		10 - B7
Fuel injector 2 (9F593) - 6.8L		
engine, top, RH side		11 - A5
Fuel injector 2 (9F593)		
engine, top, RH side		5.4L
Fuel injector 2 (9F593) - 6.0L Diesel		
engine, top, LH side		8 - B7
Fuel injector 3 (9F593) - 6.0L Diesel		
engine, top, LH side		13 - A4
Fuel injector 3 (9F593)		
engine, top, RH side		13 - F3
Fuel injector 3 (9F593) - 5.4L		
engine, top, RH side		8 - B7
Fuel injector 3 (9F593) - 6.8L		
engine, top, RH side		8 - B7
Fuel injector 4 (9F593) - 5.4L		
engine, top, RH side		11 - A4
Fuel injector 4 (9F593)		
engine, top, RH side		8 - A7
Fuel injector 4 (9F593) - 6.0L Diesel		
engine, top, LH side		12 - D7
Fuel injector 4 (9F593) - 6.8L		
engine, top, LH side		11 - A4
Fuel injector 5 (9F593) - 5.4L		
engine, top, RH side		7 - A5
Fuel injector 5 (9F593)		
engine, top, LH side		7 - A5
Fuel injector 5 (9F593) - 6.0L Diesel		
engine, top, RH side		13 - F2
Fuel injector 5 (9F593) - 6.8L		
engine, top, RH side		11 - A3
Fuel injector 6 (9F593) - 5.4L		
engine, top, LH side		7 - A5
Fuel injector 6 (9F593) - 6.0L Diesel		
engine, top, LH side		12 - B7
Fuel injector 6 (9F593) - 6.8L		
engine, top, LH side		10 - B3
Fuel injector 7 (9F593) - 5.4L		
engine, top, LH side		7 - B6
Fuel injector 7 (9F593) - 6.0L Diesel		
engine, top, RH side		13 - E2
Fuel injector 7 (9F593) - 6.8L		
engine, top, LH side		10 - B3
Fuel injector 8 (9F593) - 5.4L		
engine, top, LH side		7 - B6
Fuel injector 8 (9F593) - 6.0L Diesel		
engine, top, LH side		13 - D1

F2.107-Fu

Components	Location	View 1S1-*/coordinates
Fuel injector 8 (9F593) - 6.8L engine, top, LH side		10 - A7
Fuel injector 9 (9F593) - 6.8L engine, top, LH side		10 - B7
Fuel Injector Control Module (FICM) - 6.0L Diesel engine, top, LH side		12 - B8
Fuel Injector Control Module (FICM) power relay - Diesel		3 - B7
in Battery Junction Box (BJB)		32 - A1
Fuel pump	vehicle underbody, LH side, near transmission	31 - D7
Fuel pump driver module	vehicle underbody, LH side	16 - E8
Fuel pump relay	in Central Junction Box (CJB) (not serviceable)	31 - B4
Fuel sender, primary	vehicle underbody, on fuel tank	31 - C7
Fuel sender, secondary	vehicle underbody, on fuel tank	31 - D5
Fuel tank pressure transducer (9C052)	vehicle underbody, LH side, by axle	16 - D3
Fuel tank selector switch (9A050)	behind dash panel, center	31 - C2
Fuel tank selector valve	vehicle underbody, LH frame rail	31 - D6
Fuel tank unit	vehicle underbody, LH side, by axle	31 - A3
Fuel tank unit (9H307)	vehicle underbody, LH side	15 - E6
Function selector switch assembly	in dash panel	12 - A3
Generator - 6.0L Diesel engine, RH side, top		12 - A5
Generator - 6.0L Diesel engine, upper, front		
Generator engine, RH side, top		33 - B1
Generator, secondary engine, lower, front, RH side		33 - D3
Generator, secondary engine, lower, front, RH side		33 - E3
Glow plug bank, left - 6.0L Diesel engine, front, LH side		12 - F8
Glow plug bank, right - 6.0L Diesel engine, front, RH side		13 - D7
Glow plug control module (GPCM) - 6.0L Diesel engine, top, front, on RH valve cover		13 - C7
Headlamp relay		28 - C1
in Vehicle Security Module (VSM) (not serviceable)		1 - D7
Headlamp, left (13008)	front of vehicle, LH side	1 - F3
Headlamp, right (13008)	front of vehicle, RH side	8 - E3
Heated Oxygen Sensor (HO2S) #11 (9F472) - 5.4L engine, rear, RH side		11 - F3
Heated Oxygen Sensor (HO2S) #11 (9F472) - 6.8L engine, rear, RH side		31 - E5
Heated Oxygen Sensor (HO2S) #12 (9G444) vehicle underbody, RH side, near transmission		14 - B5
Heated Oxygen Sensor (HO2S) #12 (9G444) vehicle underbody, RH side, near transmission		31 - E6
Heated Oxygen Sensor (HO2S) #13 (9G444) vehicle underbody, LH side, front		8 - E2
Heated Oxygen Sensor (HO2S) #21 (9F472) - 5.4L engine, rear, LH side		11 - F2
Heated Oxygen Sensor (HO2S) #21 (9F472) - 6.8L engine, rear, LH side		10 - D7
Heated Oxygen Sensor (HO2S) #22 (9G444) vehicle underbody, LH side, near transmission		14 - E3
Heated Positive Crankcase Ventilation (PCV) element - 5.4L engine, top, LH side		7 - E7

Components	Location	View 151-*/coordinates
Heated seat relay, driver side front under driver seat		20 - C2
Heater blower motor (19805)		20 - B1
Heater blower motor resistor (19A706)		30 - D7
High mounted stoplamp (13A613) in roof panel, rear center		28 - A5
High mounted stoplamp (13A613) in roof panel, rear center		29 - A3
Horn (13832) engine compartment, front, RH side		1 - D1
Horn relay in Central Junction Box (CJB) (not serviceable)		16 - E8
HTD mirror relay in Central Junction Box (CJB) (not serviceable)		16 - E8
Ignition switch (11572) on steering column		16 - E5
Ignition transformer capacitor 1 (18801) - 5.4L engine, top		8 - B7
Ignition transformer capacitor 1 (18801) - 6.8L engine, top		10 - B1
Ignition transformer capacitor 2 (18801) - 5.4L engine, top		7 - B3
Ignition transformer capacitor 2 (18801) - 6.8L engine, top, on front of LH valve cover		10 - F3
Indicator flasher relay (13350) behind dash panel, center, in auxiliary relay box 1		16 - E4
Inertia Fuel Shutoff (IFS) switch (9D362) under dash panel, RH side		16 - D1
Injection Control Pressure (ICP) sensor - 6.0L Diesel engine, top, rear		12 - A7
Injection Pressure Regulator (IPR) - 6.0L Diesel engine, top, on oil pump		13 - E1
Injector Pressure Sensor (IPS) - 5.4L engine, RH side		8 - A2
Injector Pressure Sensor (IPS) - 6.8L engine, RH side		10 - A6
Instrument cluster (10849) dash panel, LH side		15 - A4
Instrument cluster (10849) dash panel, LH side		16 - B7
Intake Air Temperature (IAT) sensor - Diesel engine compartment, in intake system		3 - B4
Intake Manifold Tuning Valve (IMTV) - 6.8L front of engine, top, center		11 - B6
Interior lamps relay in Instrument Cluster (not serviceable)		15 - B4
Interior/map lamps assembly, front in roof panel, front, center		28 - A4
Interior/map lamps assembly, rear in roof panel, above rear seats		28 - B6
In-vehicle temperature sensor (19C734) behind dash panel, LH side, near steering column		16 - E7
Key pad switch assembly in driver door		22 - B2
Key warning switch (11A127) on steering column		17 - F7
Knock sensor #1 (12A699) - 5.4L engine, rear, LH cylinder head		8 - E6
Knock sensor #2 (12A699) - 5.4L engine, rear, RH cylinder head		8 - D1
License plate lamp, left (13550) vehicle rear end		29 - B2
License plate lamp, right (13550) vehicle rear end		29 - B2
Main light switch (11654) dash panel, LH side, near steering column		16 - C8
Main light switch (11654) dash panel, LH side, near steering column		15 - A2
Manifold Absolute Pressure (MAP) sensor - Diesel engine compartment, rear		3 - A3
Manifold Absolute Pressure (MAP) sensor - Diesel engine compartment, rear		30 - B7
Manifold Air Temperature (MAT) sensor - 6.0L Diesel engine, LH side		12 - A6

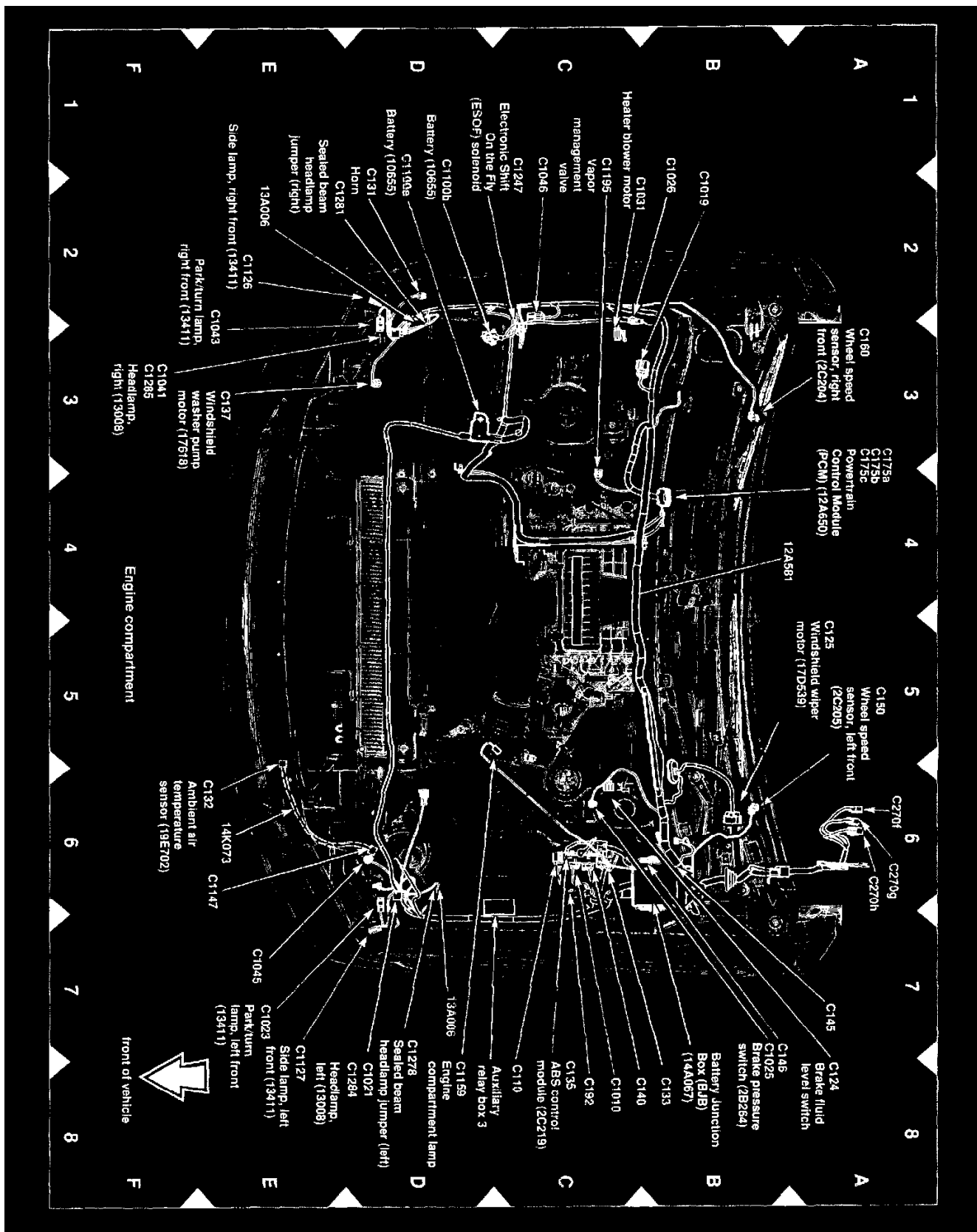
<b>Components</b>	<b>Location</b>	<b>View 151-*/coordinates</b>
Mass Air Flow (MAF) sensor (13480)	engine compartment, in intake system	1 - A4
Mass Air Flow (MAF) sensor (13480) - Diesel	engine compartment, in intake system	3 - F4
Master window adjust switch (14540)	in driver door, top	22 - A6
Message center module switch	in dash panel, center	16 - B7
Multifunction switch	on steering column	18 - D7
Multifunction switch	on steering column	18 - B5
Multi-function switch	on steering column	16 - B8
Oil pressure switch (9278) - 5.4L	engine, LH side, lower	7 - F6
Oil pressure switch (9278) - 6.0L Diesel	engine, LH side, lower	13 - B7
Oil pressure switch (9278) - 6.8L	engine, LH side, lower	10 - F4
Output Shaft Speed (OSS) sensor (7H103)	transmission, rear	14 - C6
Overhead console	in roof panel, front	28 - A3
Park lamp relay	in Vehicle Security Module (VSM) (not serviceable)	28 - C1
Park/stop/turn lamp, left rear	vehicle rear end, LH side	29 - A1
Park/stop/turn lamp, right rear	vehicle rear end, RH side	29 - B3
Park/turn lamp, left front (13411)	front of vehicle, LH side	1 - E7
Park/turn lamp, right front (13411)	front of vehicle, RH side	1 - F2
Parking aid disable switch (15A860)	dash panel, LH side	16 - B5
Parking Aid Module (PAM) (15T850)	RH A-pillar, behind trim panel	16 - E2
Parking aid sensor, inner left (15K859)	rear bumper, LH side	29 - F2
Parking aid sensor, inner right (15K859)	rear bumper, RH side	29 - E3
Parking aid sensor, outer left (15K859)	rear bumper, LH side	31 - B7
Parking aid sensor, outer right (15K859)	rear bumper, RH side	29 - E1
Parking aid sensor, outer right (15K859)	rear bumper, RH side	31 - A5
Parking aid sensor, outer right (15K859)	rear bumper, RH side	29 - E4
Parking aid speaker	RH A-pillar, behind trim panel	16 - F2
Parking brake switch (15A851)	in footwell, driver side	28 - F2
Passenger Air bag Deactivation (PAD) switch	dash panel, center	15 - B6
Passenger Air bag Deactivation (PAD) switch - Instrument Panel	dash panel, center	16 - A4
Passenger air bag module (15044A74)	dash panel, RH side	16 - A2
PCM power diode	in Central Junction Box (CJB) (not serviceable)	16 - E8
PCM power relay	in Central Junction Box (CJB)	16 - E8
Power point, instrument panel (19N236)	dash panel, center, bottom	16 - A3
Power seat motor assembly, left	under driver seat	20 - F5
Power seat motor assembly, right	under passenger seat	21 - F6
Power sliding rear window motor (14A464)	vehicle interior, rear, center	28 - D7
Power sliding rear window switch	dash panel, center	16 - A7

<b>Components</b>	<b>Location</b>	<b>View 151-*/coordinates</b>
Power window motor, driver side front (23395)	in driver door	22 - D7
Power window motor, left rear (23394)	in LH rear door	26 - C6
Power window motor, passenger side front (23394)	in passenger door	23 - D2
Power window motor, right rear (23394)	in RH rear door	27 - C2
Powertrain Control Module (PCM) (12A650)	engine compartment, left fender	5 - B7
Powertrain Control Module (PCM) (12A650)	engine compartment, RH side, rear	1 - A3
Powertrain Control Module (PCM) (12A650) - 6.8L	engine compartment, RH side, rear	11 - A6
Powertrain Control Module (PCM) (12A650) - 5.4L	engine compartment, RH side, rear	7 - A3
Powertrain Control Module (PCM) (12A650) - 6.8L	engine compartment, RH side, rear	10 - A3
Radio	dash panel, center	16 - B5
Radio (18806)	dash panel, center	15 - A5
Rear axle speed sensor (4B409)	on differential	31 - B3
Rear marker lamp assembly	vehicle rear end, center	29 - F3
Remote solenoid assembly	dash panel, behind A/C control	17 - E3
Restraints control module (14B321)	behind dash panel, center	16 - F4
Restraints control module (14B321)	behind dash panel, center	15 - E6
Reversing lamp relay	in Central Junction Box (CJB)	16 - E8
Reversing lamp, left (13411)	vehicle rear end, LH side	29 - B2
Reversing lamp, right (13411)	vehicle rear end, RH side	29 - F5
Reversing lamps switch	manual transmission, LH side, rear	14 - F3
Roof marker lamp, center	roof, front	28 - A3
Roof marker lamp, left	roof, front	28 - B4
Roof marker lamp, left center	roof, front	28 - A3
Roof marker lamp, right	roof, front	28 - A1
Roof marker lamp, right center	roof, front	28 - A2
Roof opening panel module (502D70)	in roof panel, above rear seats	28 - A4
Roof opening panel motor assembly (15790)	in roof panel	28 - B5
Running board lamp, left front	vehicle exterior, LH side	28 - F4
Running board lamp, left rear	vehicle exterior, LH side	28 - F7
Running board lamp, right front	vehicle exterior, RH side	29 - D8
Running board lamp, right rear	vehicle exterior, RH side	29 - E7
Safety belt buckle switch (10B924)	seat belt buckle, driver side	20 - D7
Seat adjust switch, driver side front (14A701)	driver seat, LH side	20 - E6
Seat adjust switch, passenger side front (14A701)	under passenger seat, RH side	21 - C3
Seat back heater, left front	driver seat	20 - E2
Seat back heater, right front	under passenger seat, RH side	21 - E3
Seat cushion heater, left front	driver seat	20 - E2
Seat cushion heater, right front	under passenger seat, RH side	21 - F2

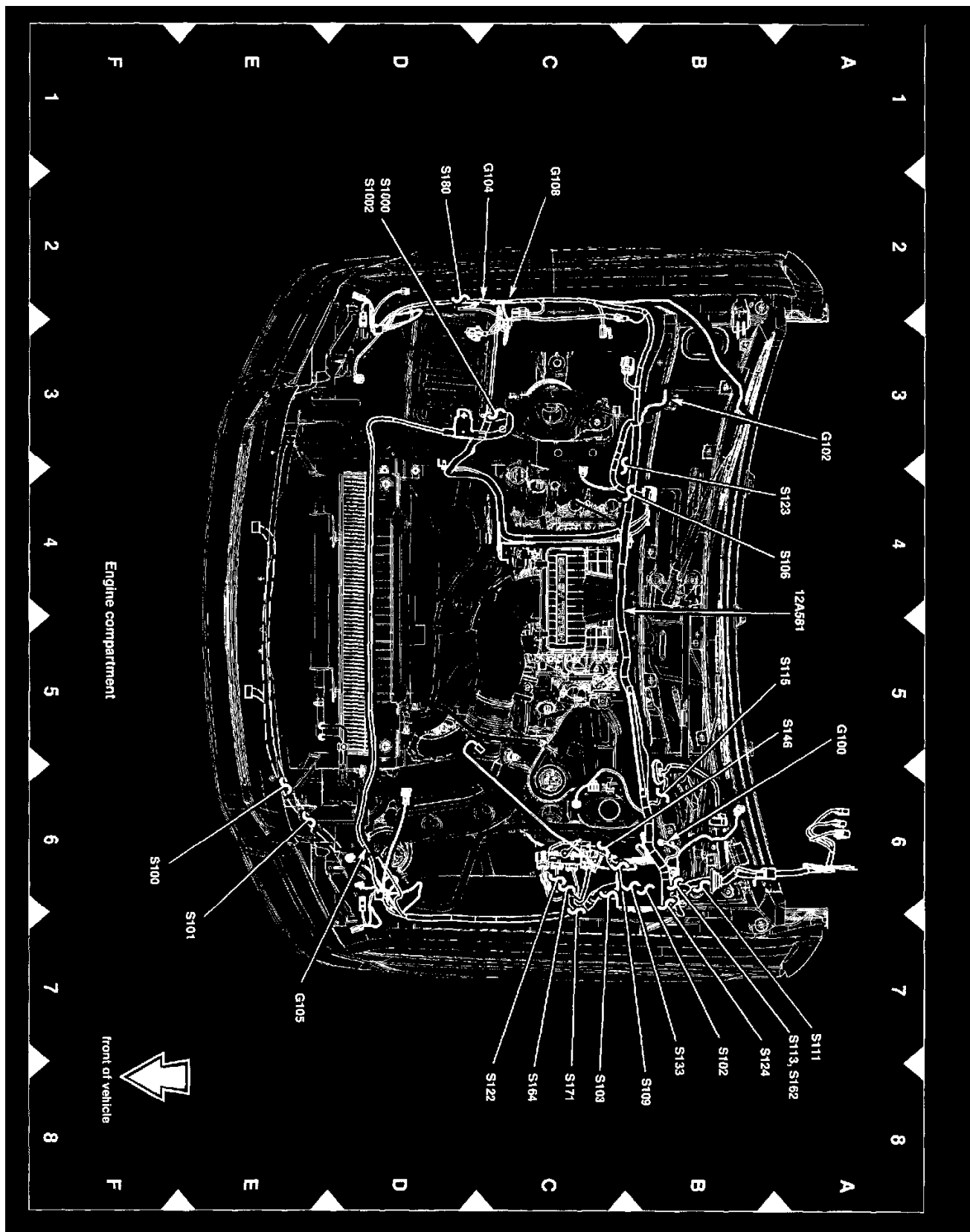
<b>Components</b>	<b>Location</b>	<b>View 151-*/coordinates</b>
Seat heater switch, driver side	driver seat, LH side	20 - E3
Seat heater switch, passenger side	under passenger seat, RH side	21 - D2
Side lamp 1, LH rear	truck bed, left fender, front	28 - B7
Side lamp 1, RH rear	truck bed, right fender, front	29 - E6
Side lamp 2, LH rear	truck bed, left fender, rear	28 - D8
Side lamp 2, RH rear	truck bed, right fender, rear	29 - E6
Side lamp, left front (13411)	front of vehicle, LH side	1 - E7
Side lamp, right front (13411)	front of vehicle, RH side	1 - E1
Speaker, left front (18808)	in driver door	22 - D7
Speaker, left rear (18808)	in LH rear door	28 - E7
Speaker, right front (18808)	in LH rear door	24 - C6
Speaker, right rear (18808)	in passenger door	23 - E2
Speaker, right rear (18808)	in RH rear door	25 - C2
Speaker, right rear (18808)	in RH rear door	28 - A5
Speed sensor assembly (7M101)	transmission, front	14 - B5
Starter motor (11002) - 5.4L	engine, bottom, RH side	8 - E5
Starter relay	in Central Junction Box (CJB)	16 - E8
Steering wheel radio switch	on steering column	15 - B4

Steering wheel/speed control switch (9F924)	on steering column	15 - E2
Sunload sensor (13A018)	dash panel, top	16 - B3
Temperature blend door actuator (19E616)	under dash panel, RH side	16 - D2
Throttle Position Sensor (TPS) (9B989) - 5.4L	throttle body, LH side	8 - A5
Throttle Position Sensor (TPS) (9B989) - 6.8L	throttle body, RH side	10 - A5
TorqShift transmission	vehicle underbody, RH side, on transmission	14 - C7
Tow/haul switch (7G550)	on steering column, LH side	16 - C8
Tow/haul switch (7G550)	on steering column, LH side	18 - B3
Trailer Brake Control (TBC) module	behind dash panel, LH side	17 - D2
Trailer tow connector, 4-pin	vehicle rear end	29 - E3
Trailer tow connector, 7-pin	vehicle rear end	29 - E2
Trailer tow relay, battery charge	in Central Junction Box (CJB)	16 - E8
Trailer tow relay, left turn	in Battery Junction Box (BJB)	1 - B8
Trailer tow relay, parking lamp	in Central Junction Box (CJB) (not serviceable)	16 - E8
Trailer tow relay, right turn	in Battery Junction Box (BJB)	1 - B8
Transfer case assembly	on transfer case	14 - C7
Transfer case assembly	on transfer case	14 - E4
Transfer case high to low relay	in Auxiliary relay box 3	1 - A8
Uprifter relay	in Central Junction Box (CJB)	16 - E8
Uprifter relay #1	in Uprifter relay box	16 - E3

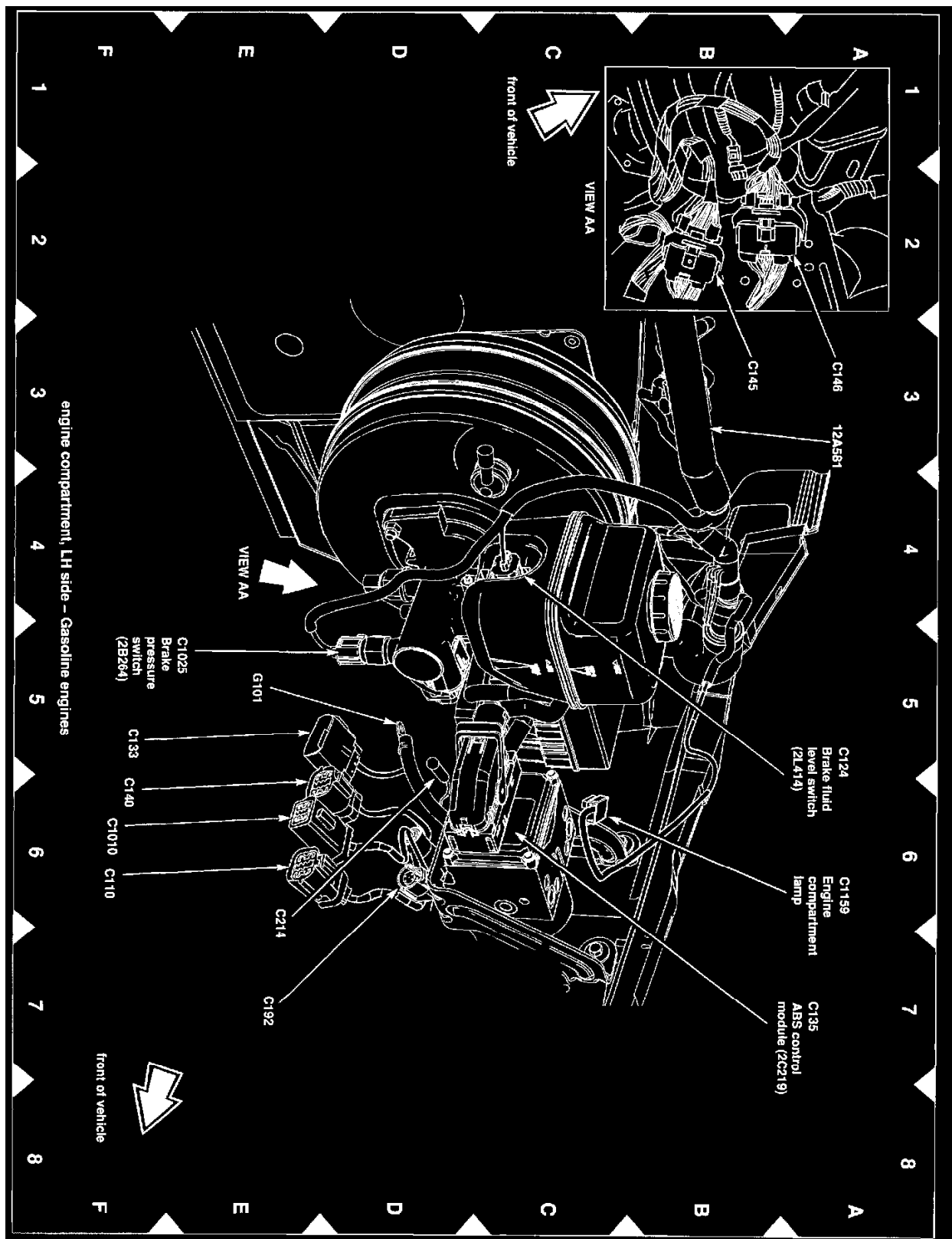
Components	Location	View 151-*/coordinates
Upfitter relay #2	in Upfitter relay box	16 - E3
Upfitter relay #3	in Upfitter relay box	16 - E3
Upfitter relay #4	in Upfitter relay box	16 - E3
Upfitter relay box (14A464)	behind glove box	16 - E3
Upfitter switch	dash panel, center	15 - E6
Vacuum pump motor	engine compartment, RH side	3 - B2
Vacuum pump motor	engine compartment, RH side	3 - B2
Vacuum pump motor	engine compartment, RH side	30 - E4
Vanity mirror lamp, left (04100)	roof, LH side, front	28 - B1
Vanity mirror lamp, right (04100)	roof, RH side, front	28 - A1
Vapor management valve	engine compartment, rear	1 - C2
Variable camshaft timing solenoid #1	RH bank - 5.4L	7 - B1
Variable camshaft timing solenoid #1	RH bank - 5.4L	8 - C7
Variable camshaft timing solenoid #2	LH bank - 5.4L	7 - F3
Variable camshaft timing solenoid #2	LH bank - 5.4L	7 - F3
Variable geometric turbo actuator - 6.0L Diesel	engine, top	12 - A5
Vehicle Security Module (VSM) (15K602)	under dash panel, LH side	28 - C1
Water-in-fuel sensor	vehicle underbody, LH side, near transmission	32 - C2
Wheel speed sensor, left front (2C205)	engine compartment, LH side	1 - A5
Wheel speed sensor, right front (2C204)	engine compartment, RH side	1 - A3
Window adjust switch left rear (14A412)	in LH rear door, top	26 - B3
Window adjust switch, passenger side	in passenger door, top of door trim	23 - A3
Window adjust switch, right rear (14A412)	in RH rear door	27 - C7
Windshield washer pump motor (17618)	engine compartment, RH side	1 - E3
Windshield wiper motor (17D539)	engine compartment, rear	1 - A5



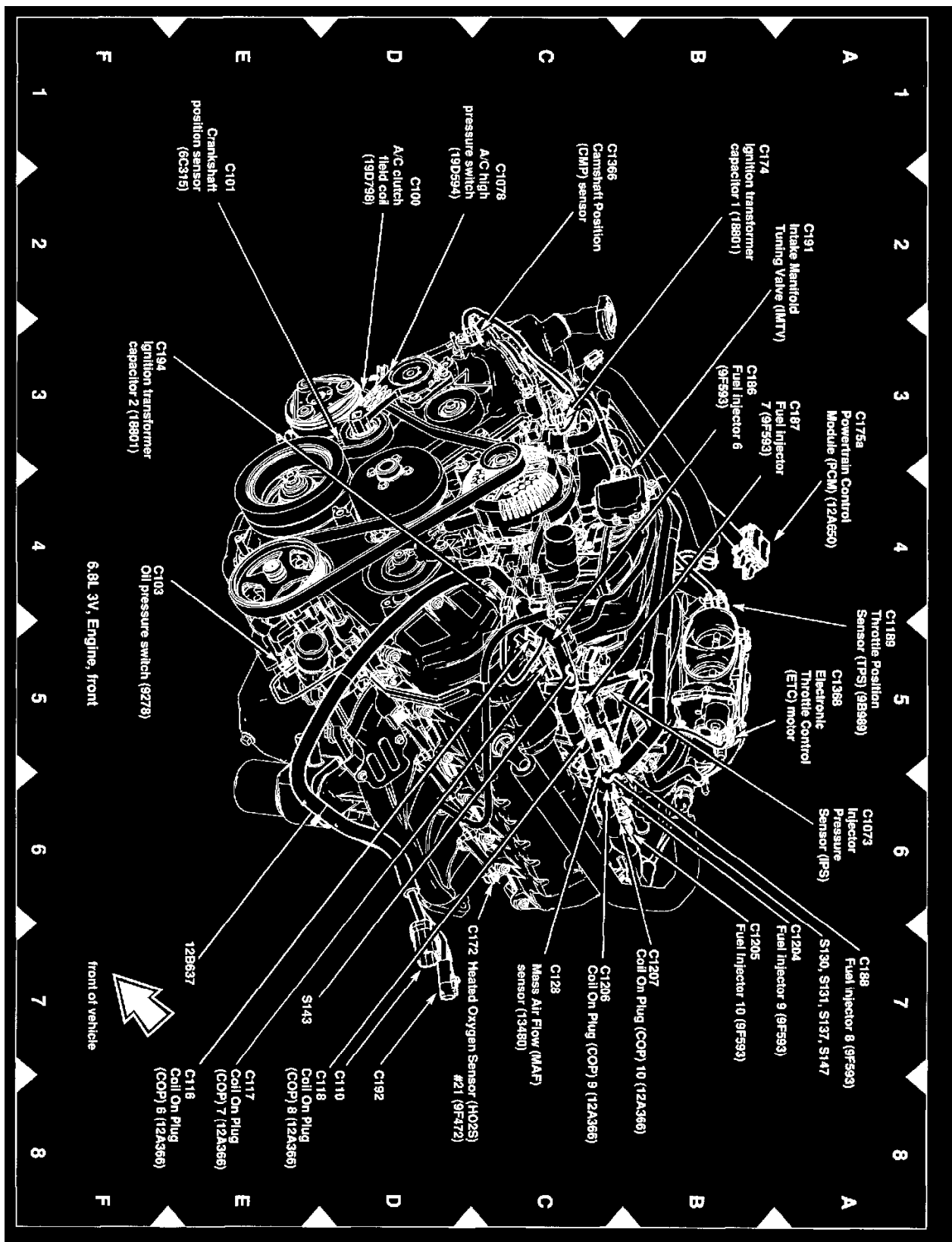
View 151-1 (Engine Compartment)



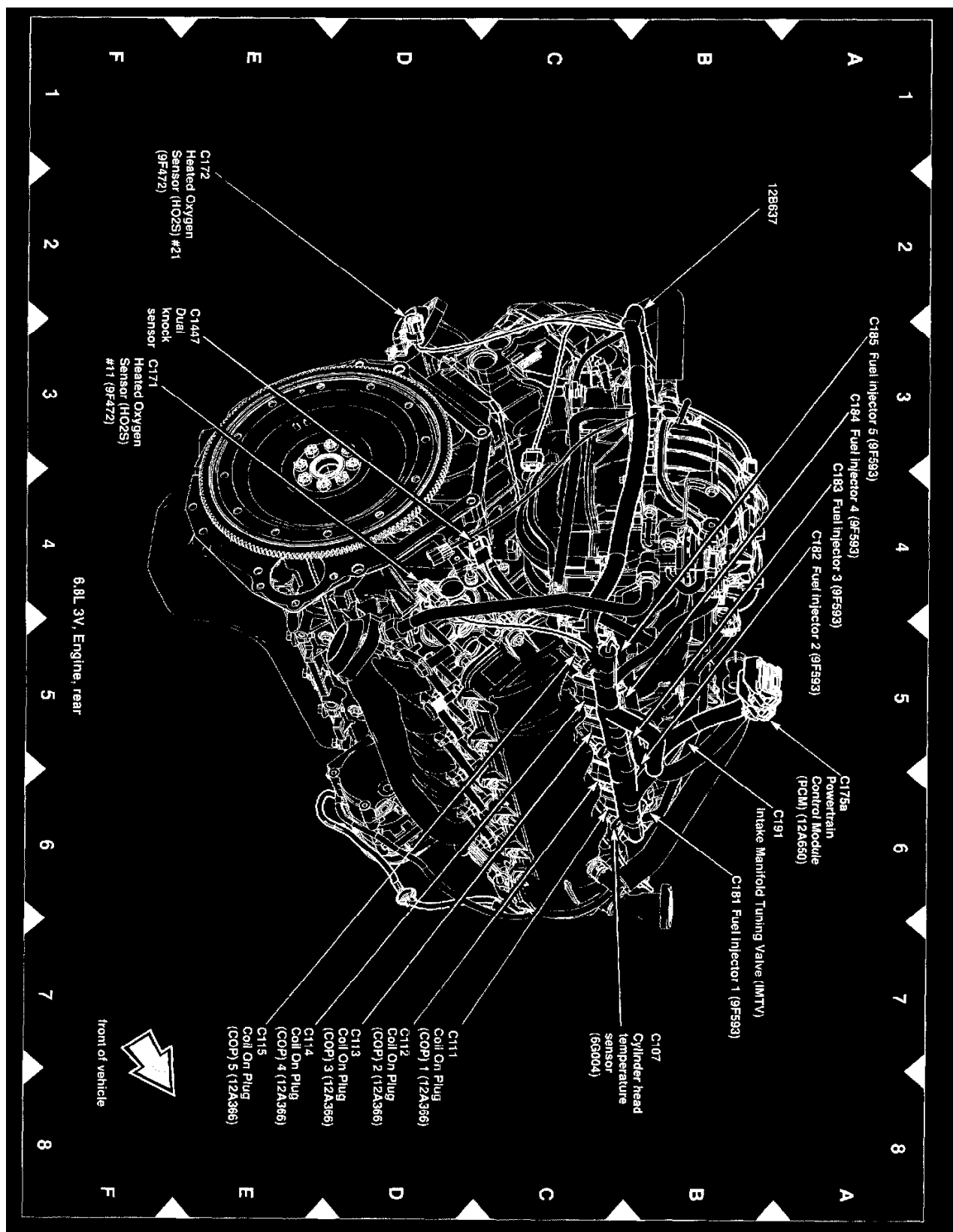
View 151-2 (Engine Compartment)



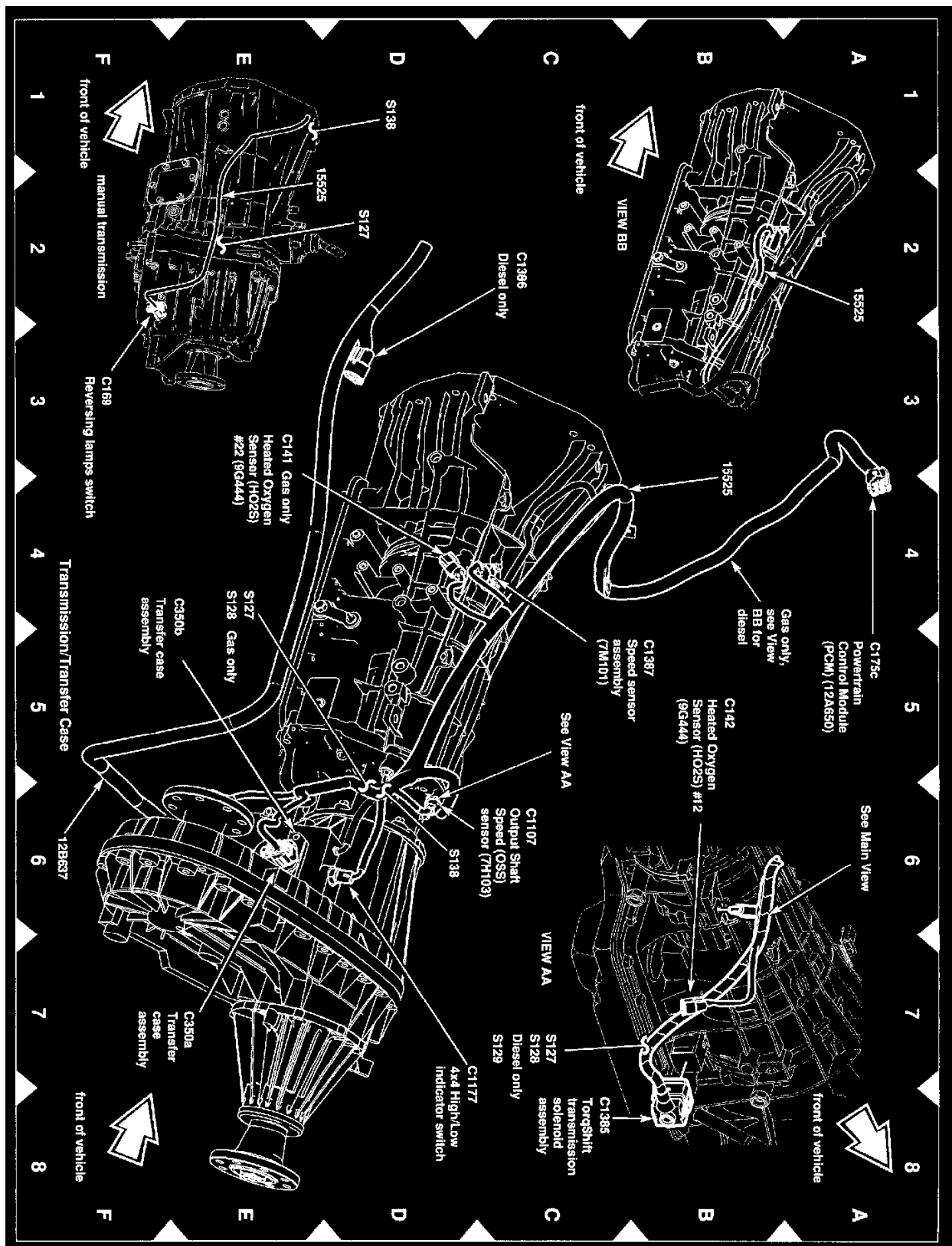
View 151-6 (Engine Compartment, LH Side)



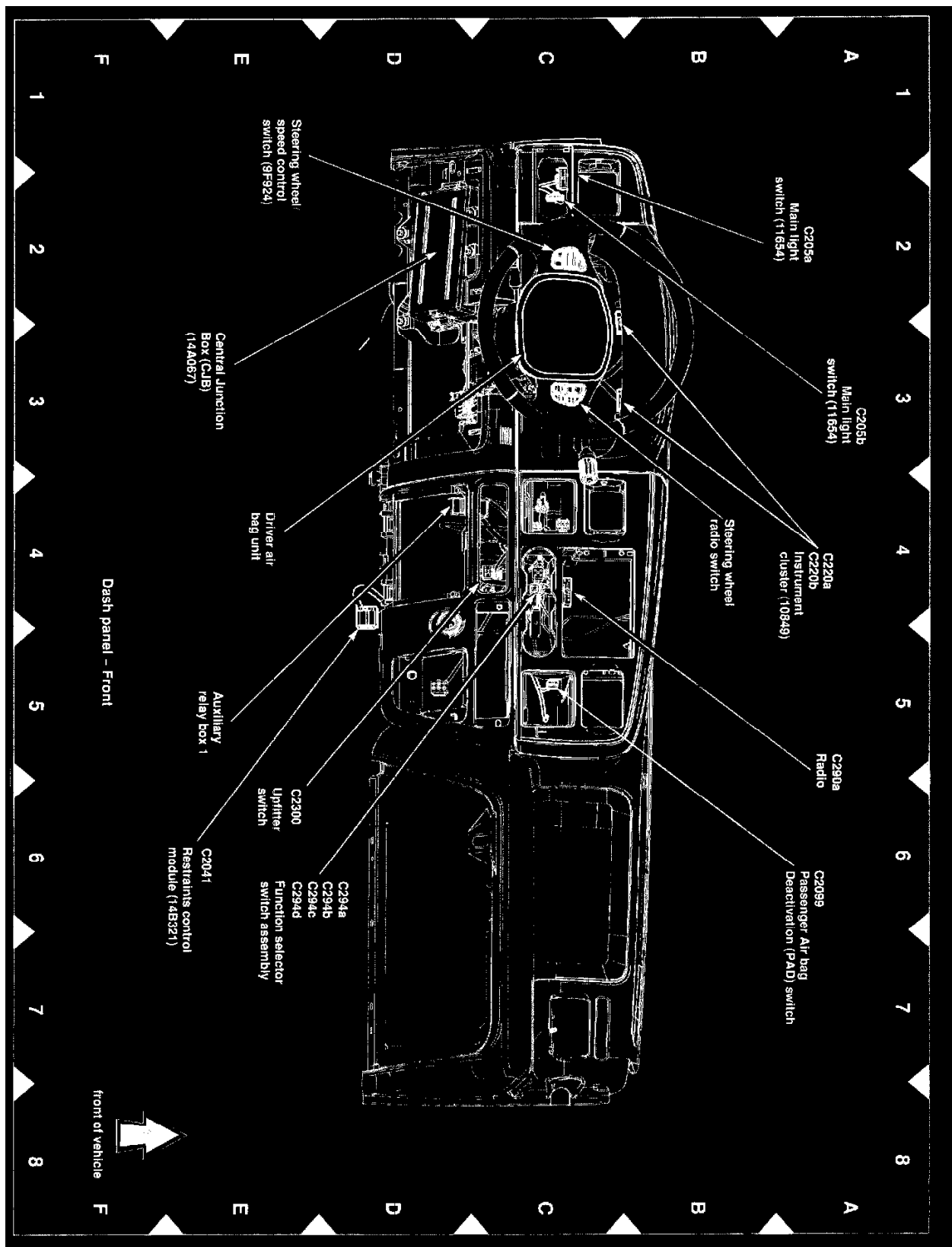
View 151-10 (Engine, Front)



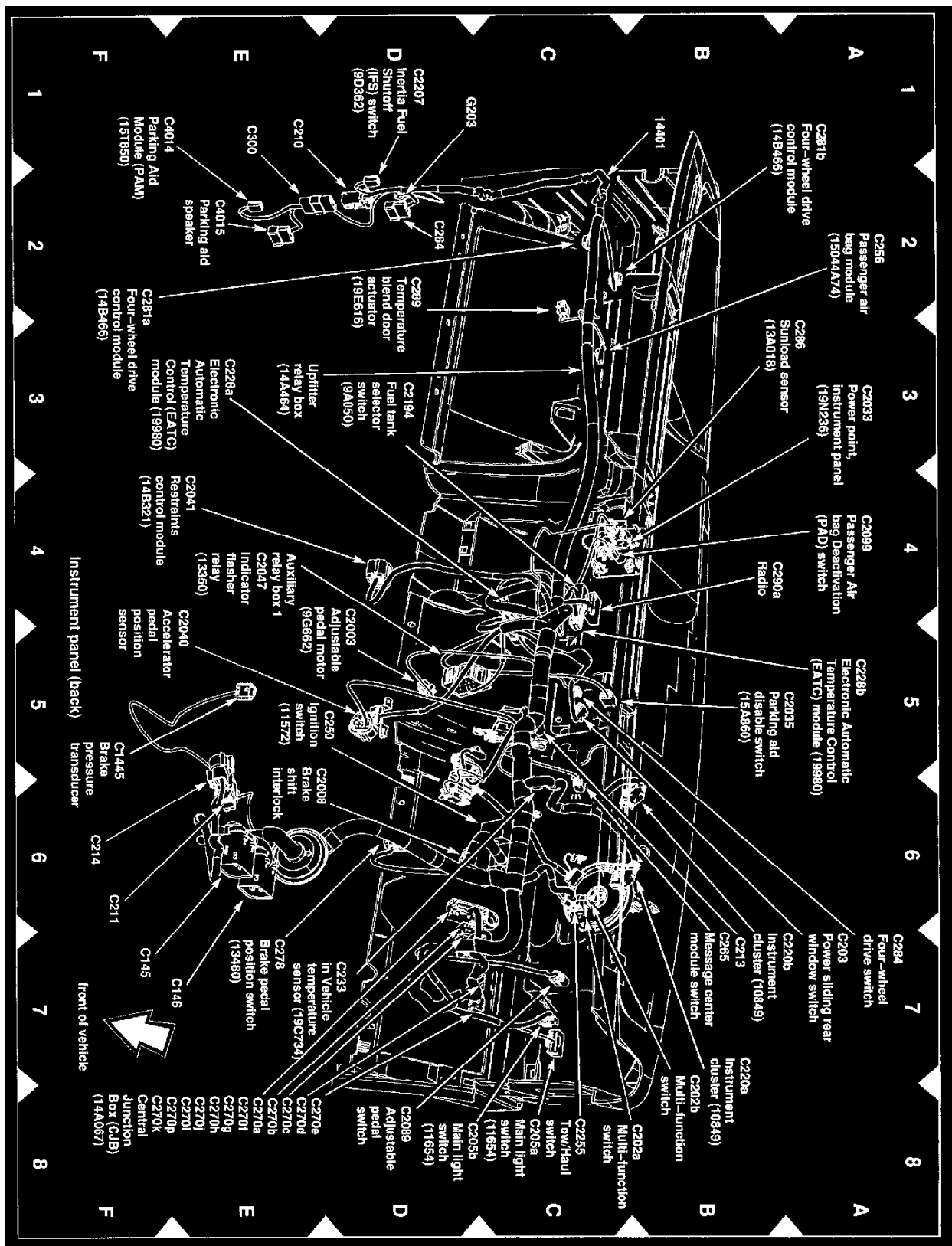
View 151-11 (Engine, Rear)



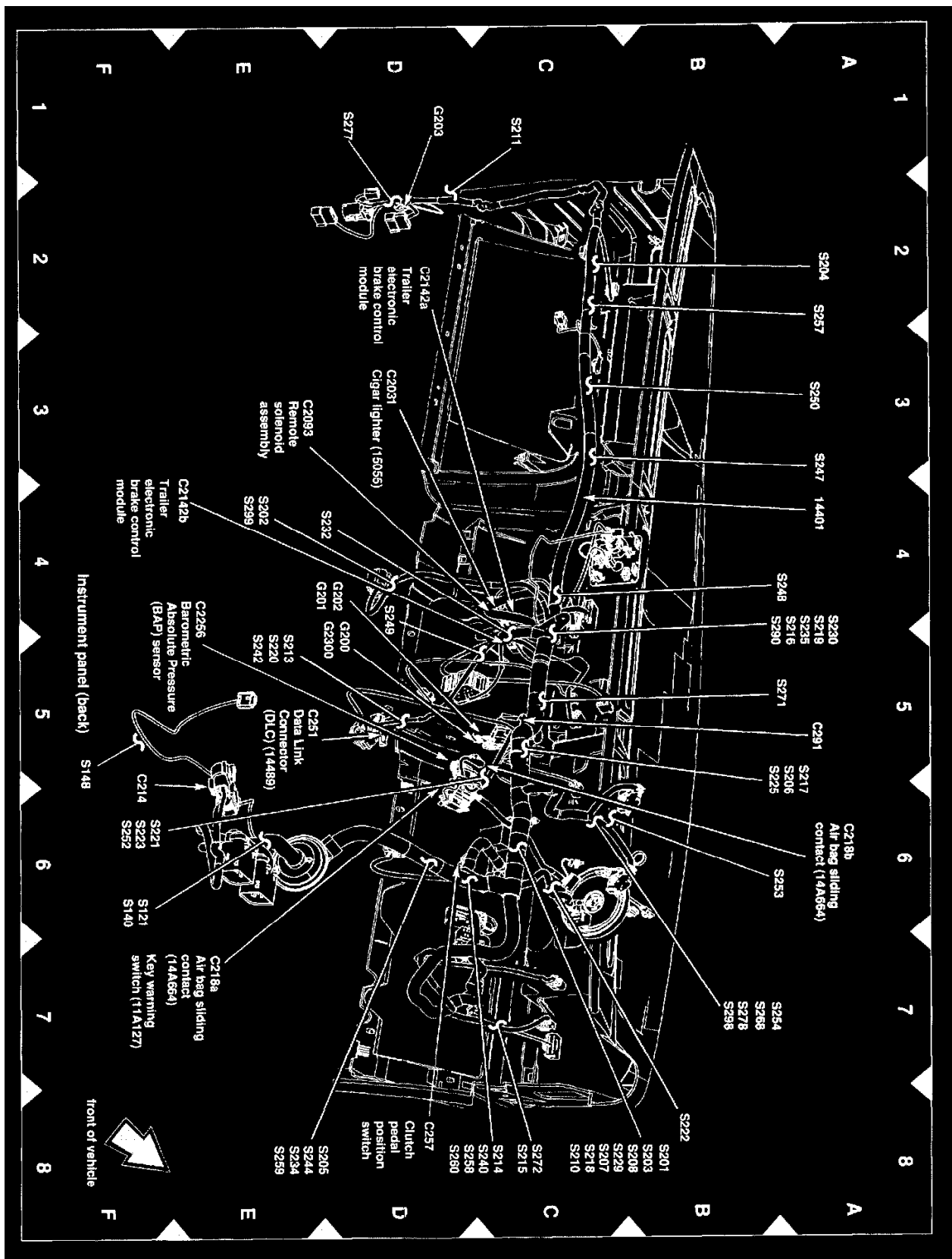
View 151-14 (Transmission/Transfer Case)



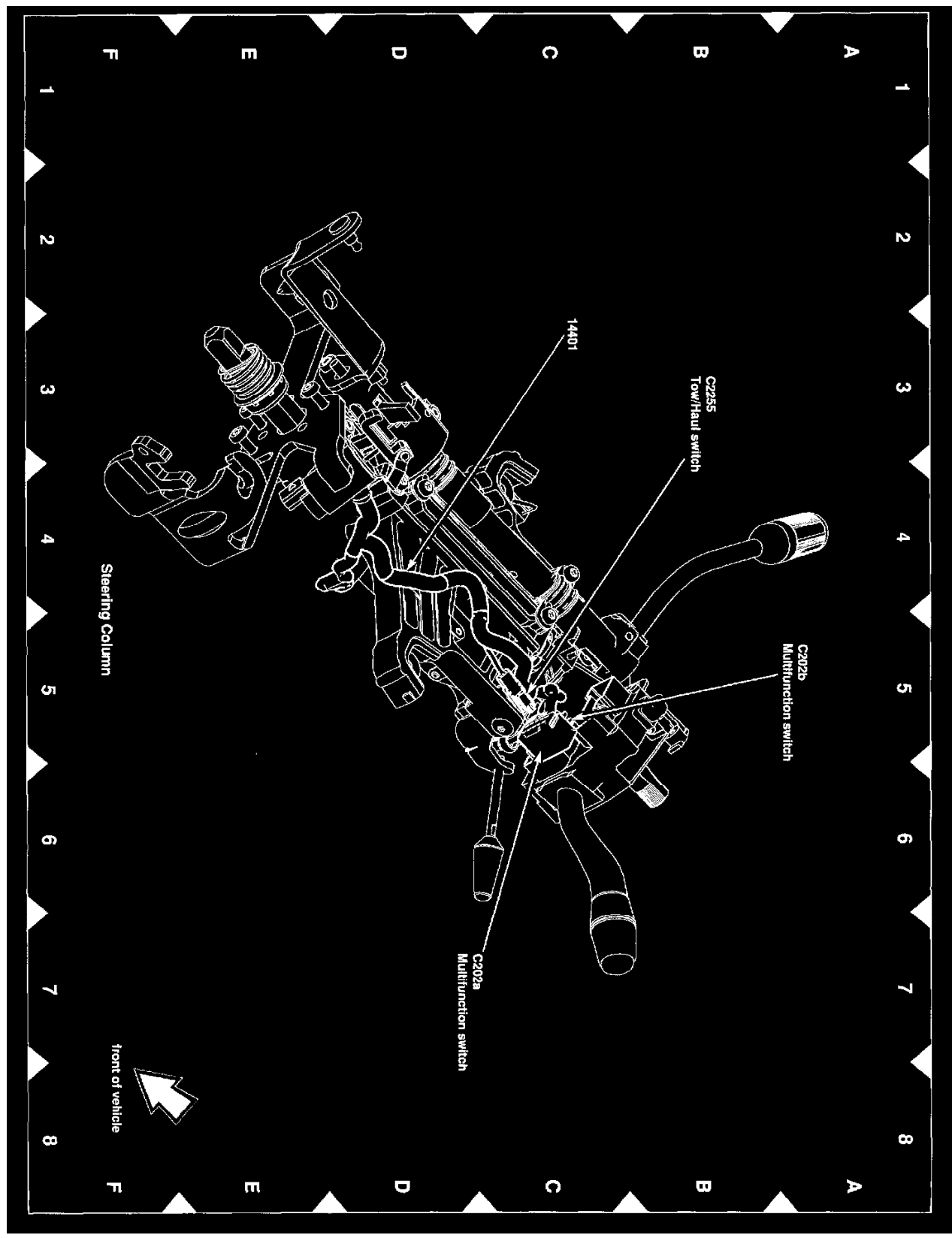
View 151-15 (Dash Panel - Front)



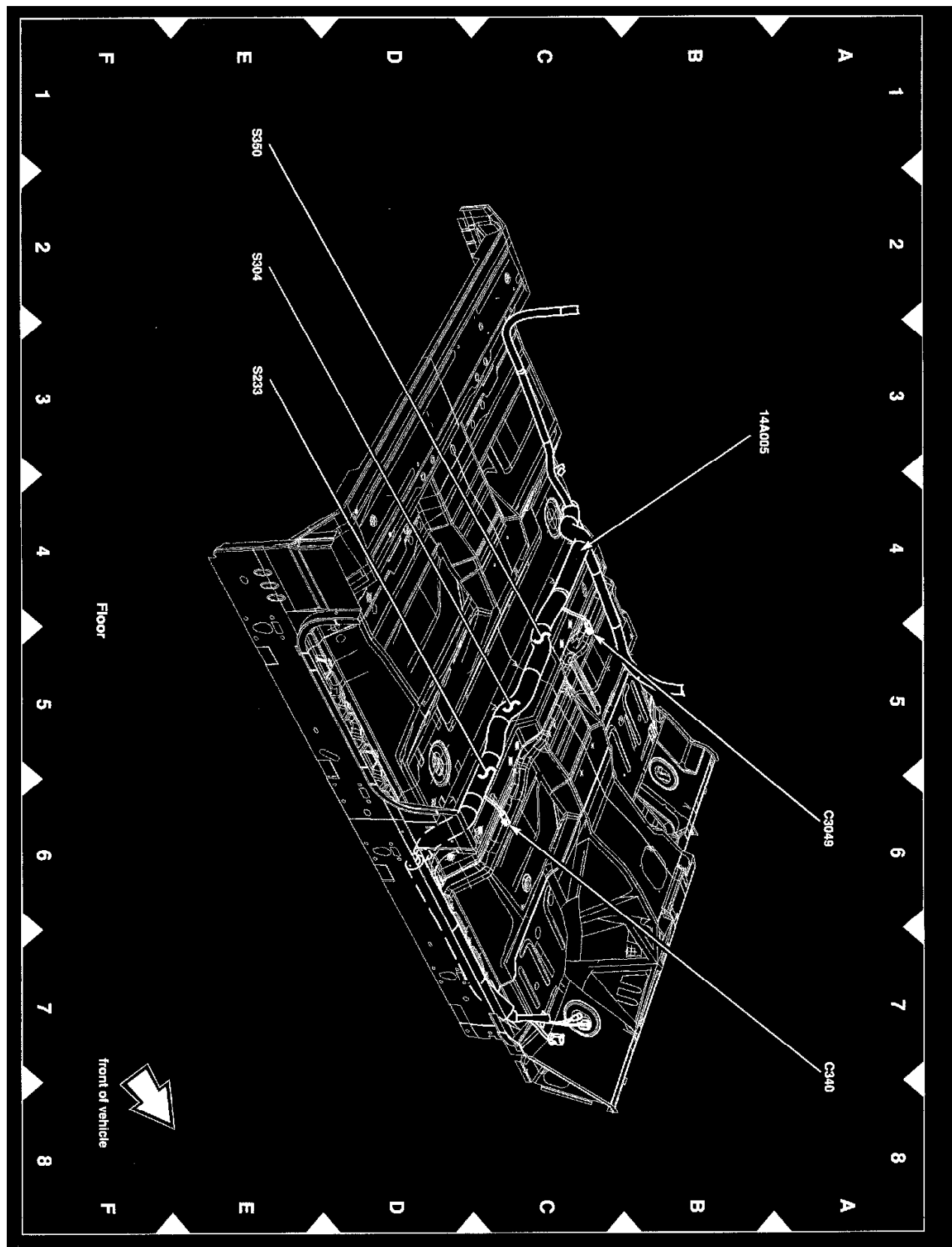
View 151-16 (Instrument Panel (Back))



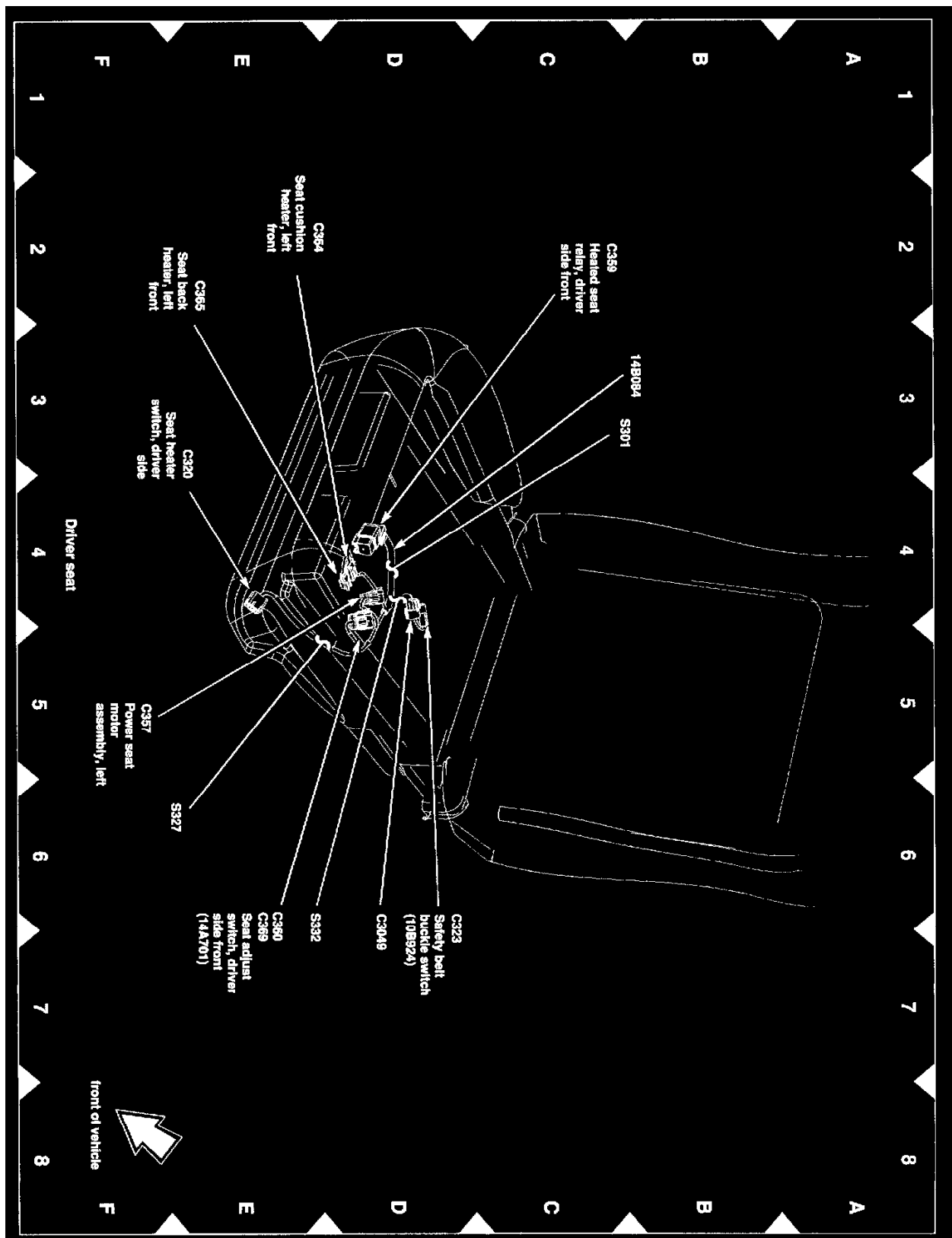
View 151-17 (Instrument Panel (Back))



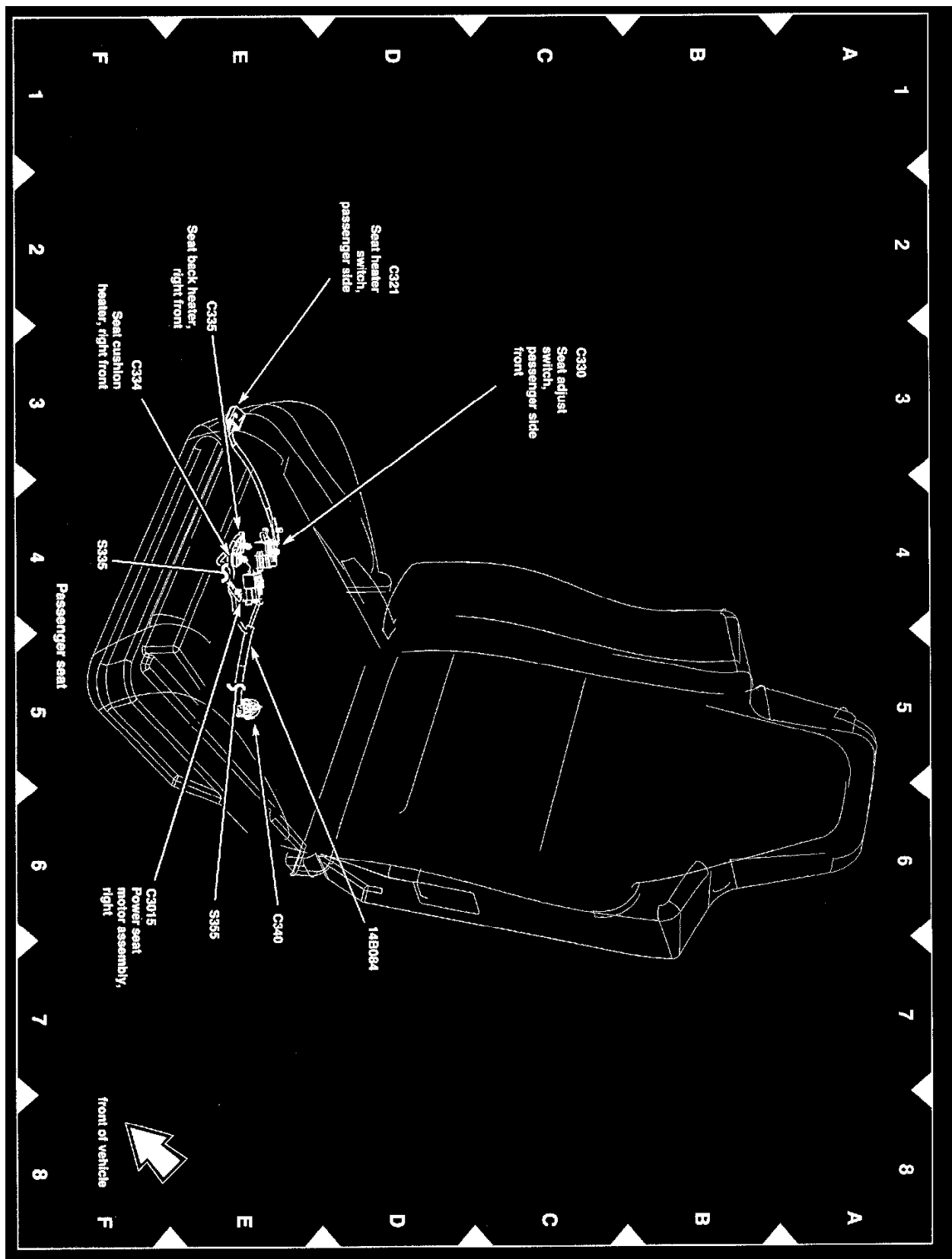
View 151-18 (Steering Column)



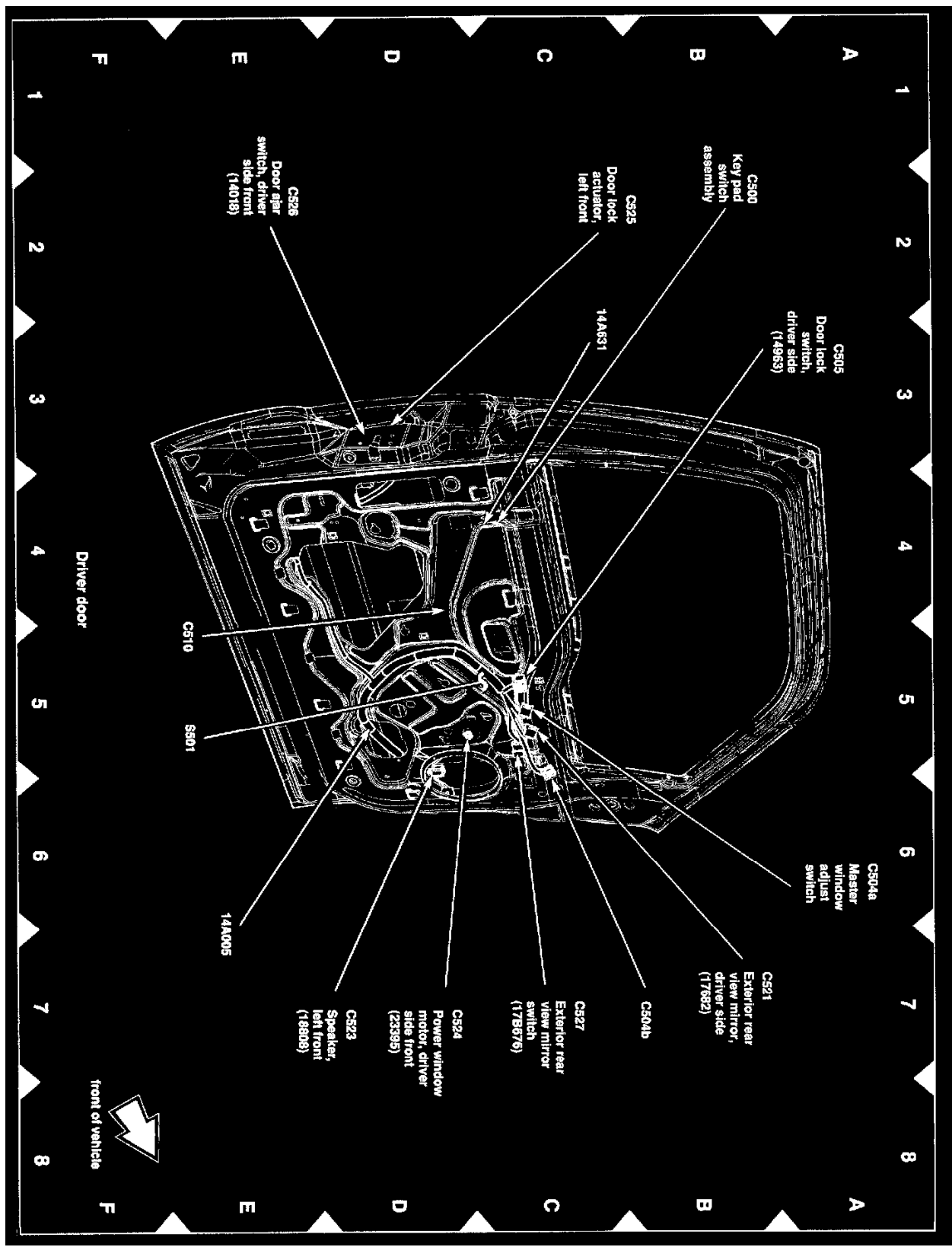
View 151-19 (Floor)



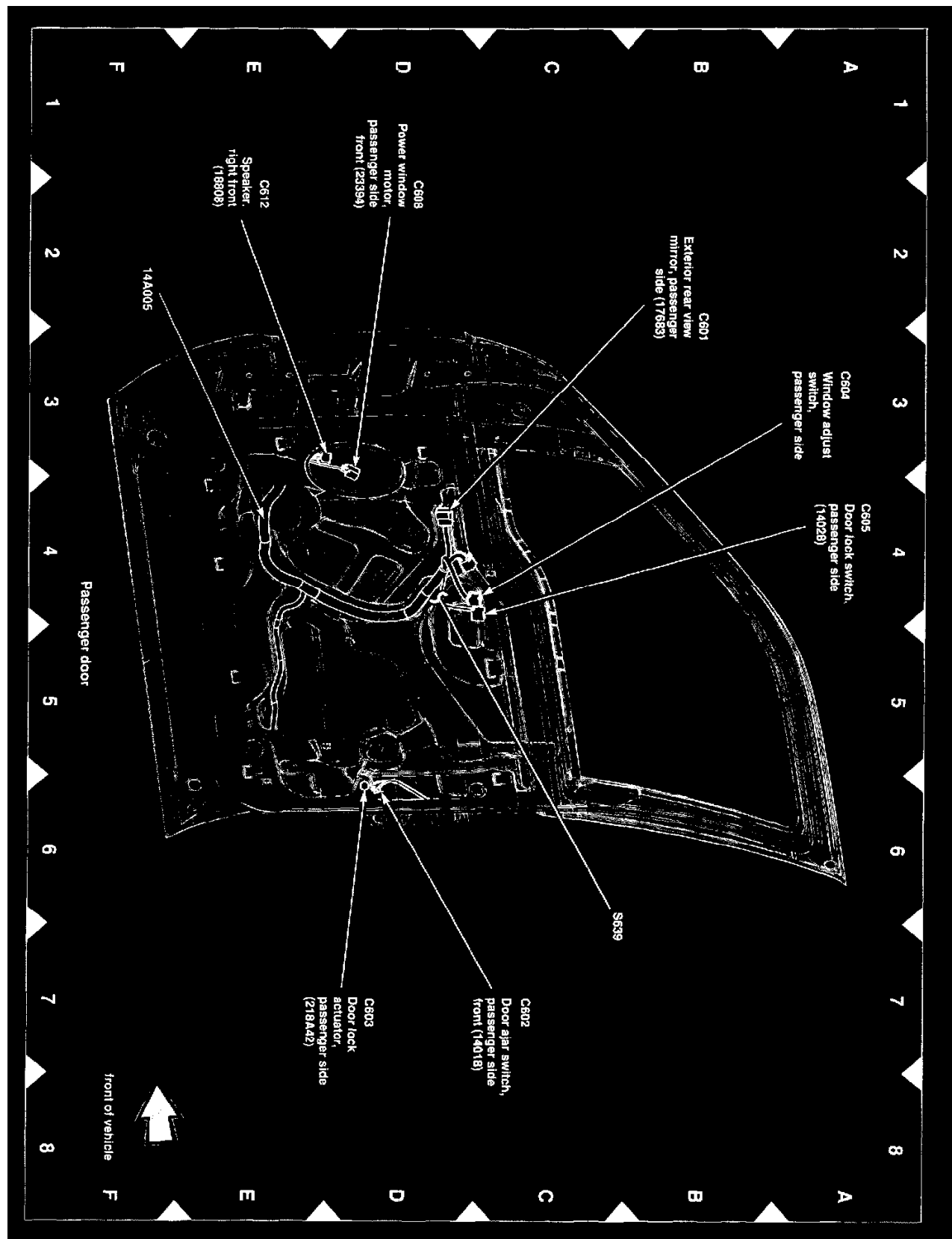
View 151-20 (Driver Seat)



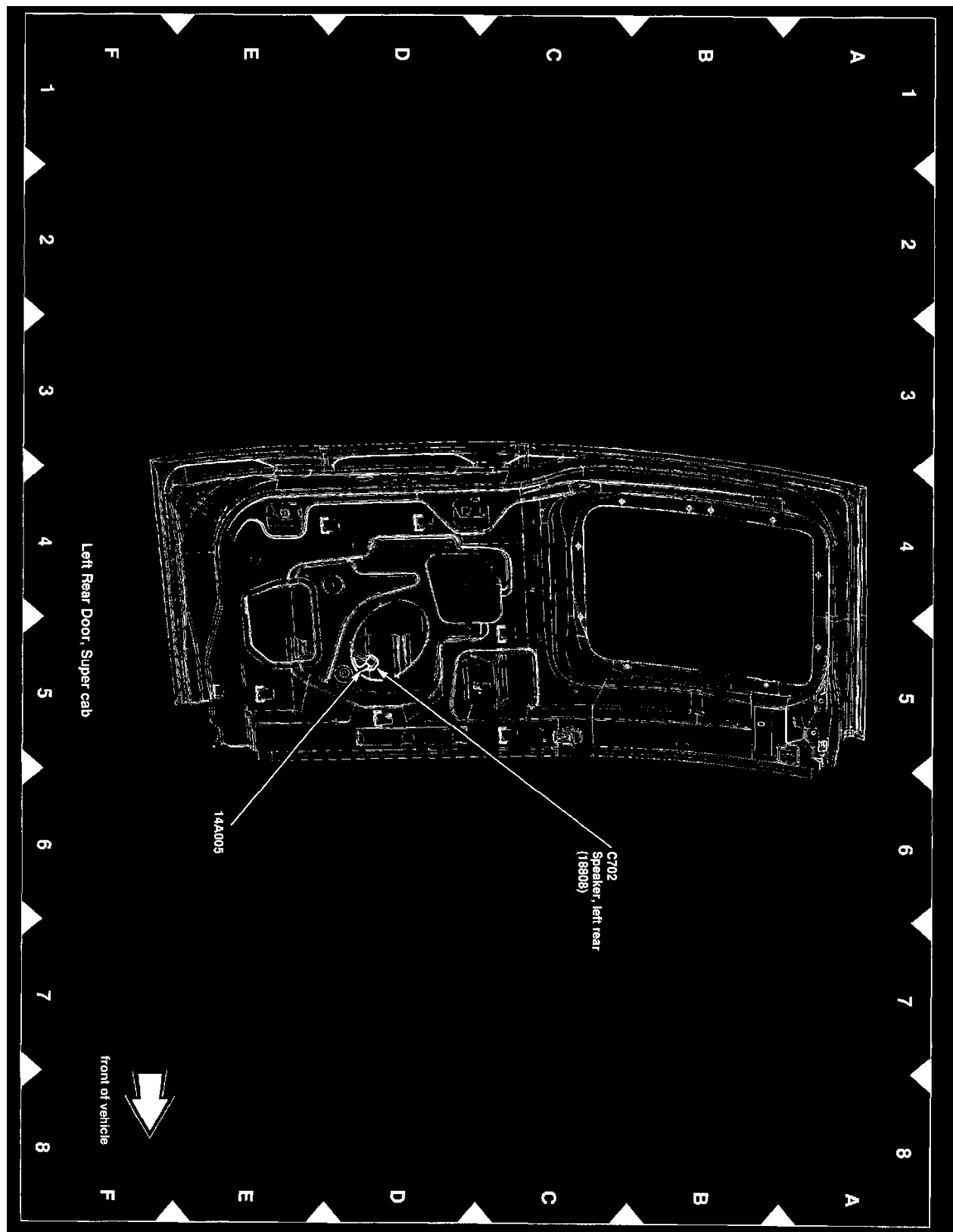
View 151-21 (Passenger Seat)



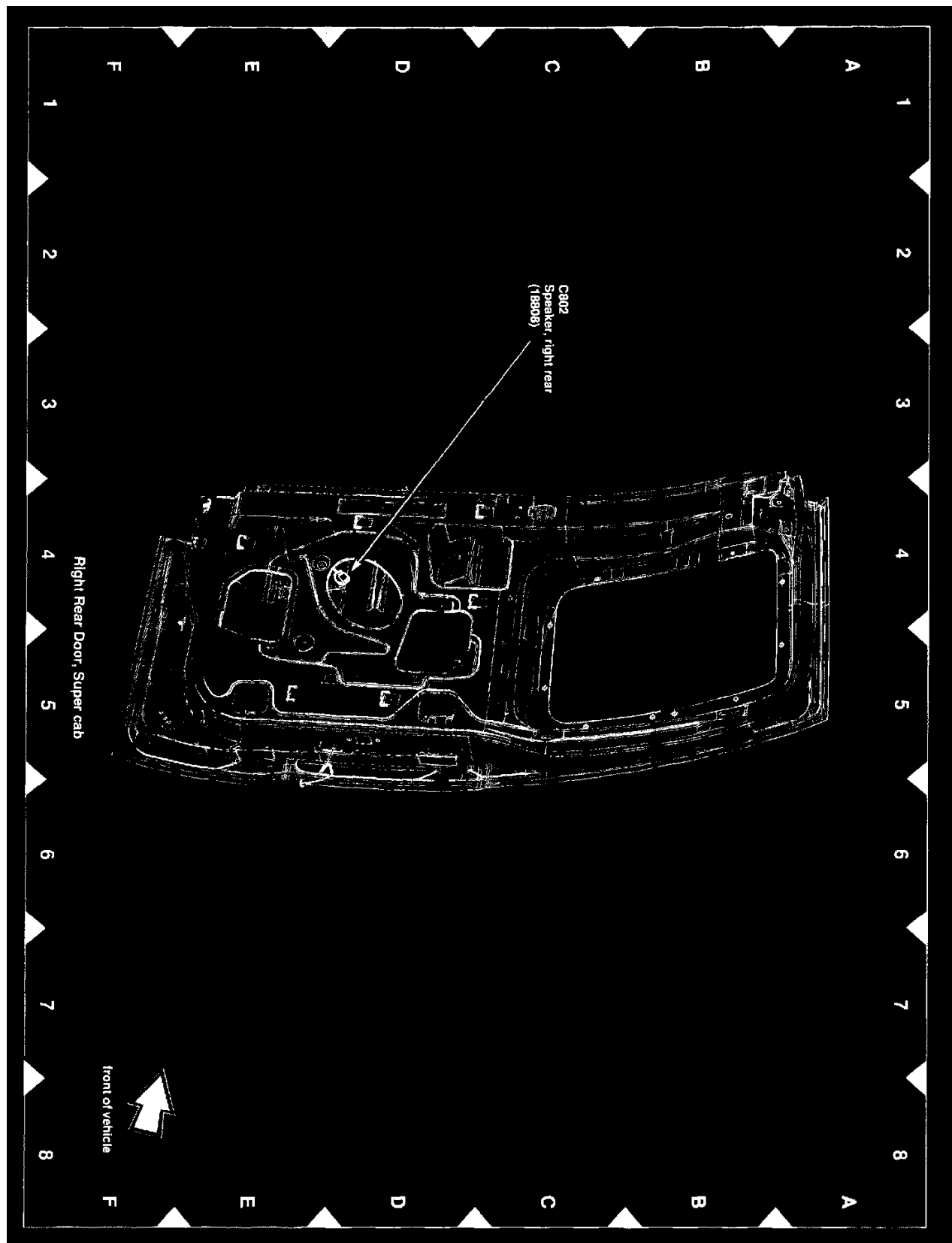
View 151-22 (Driver Door)



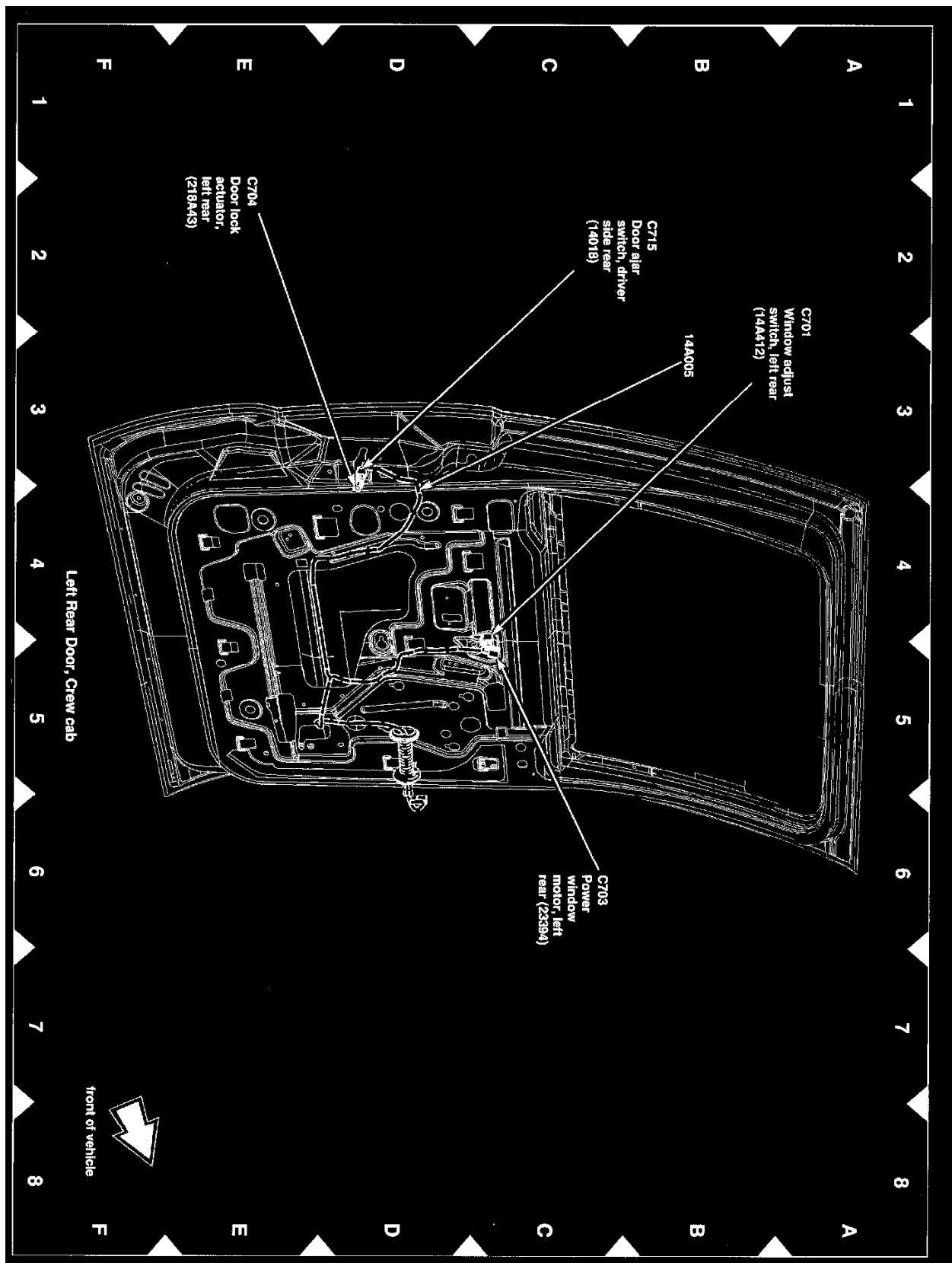
View 151-23 (Passenger Door)



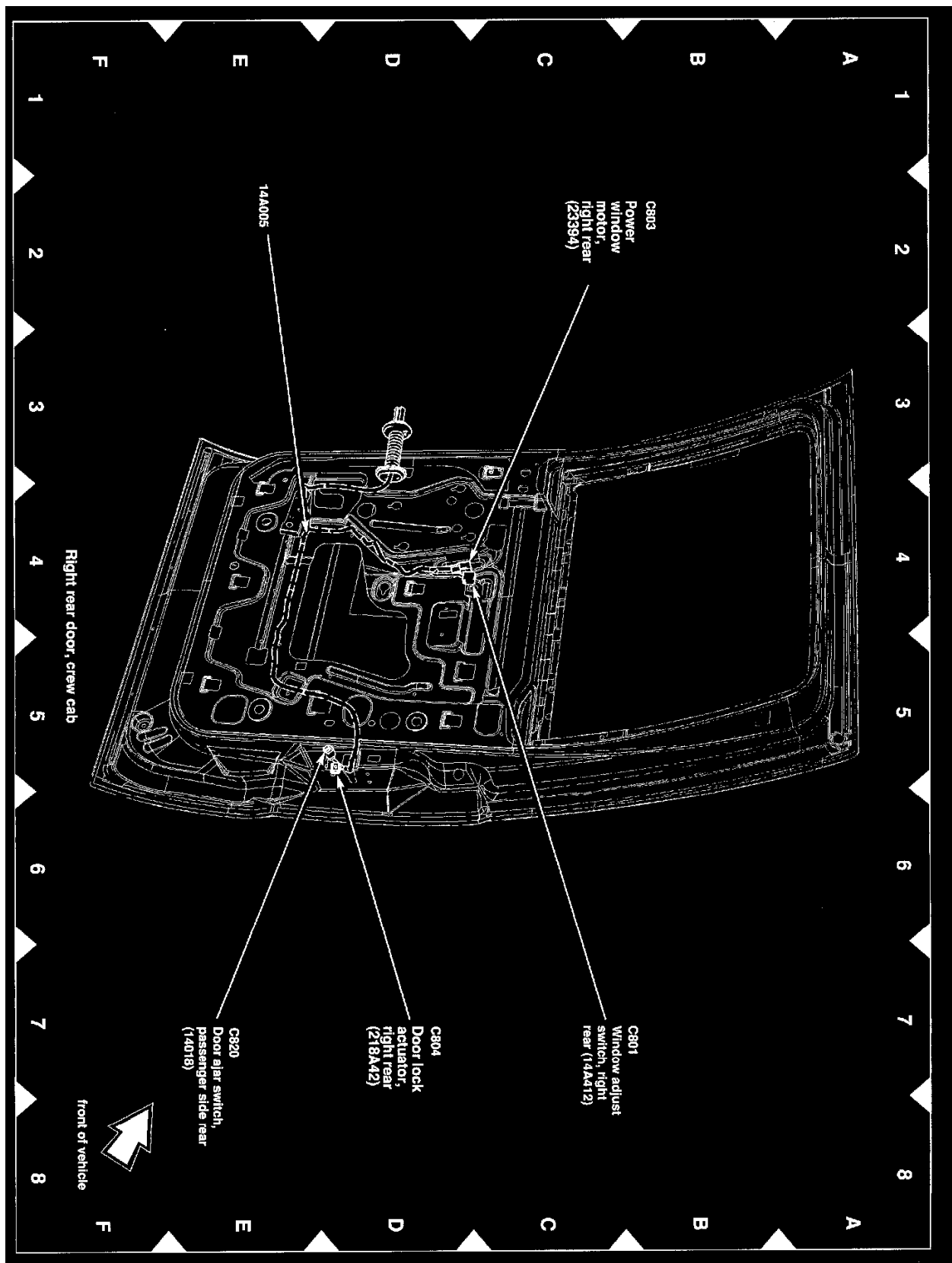
View 151-24 (Left Rear Door, Super Cab)



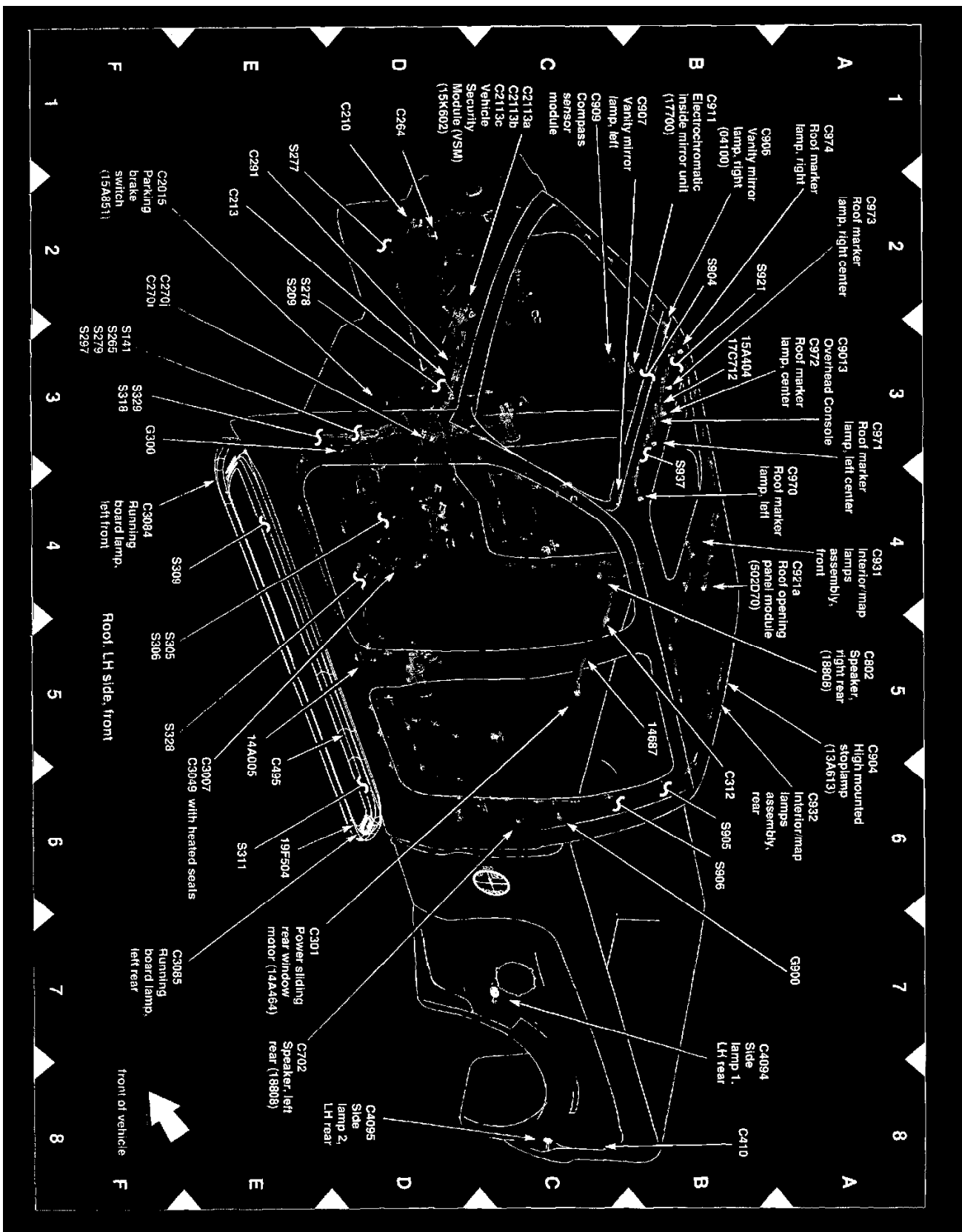
View 151-25 (Right Rear Door, Super Cab)



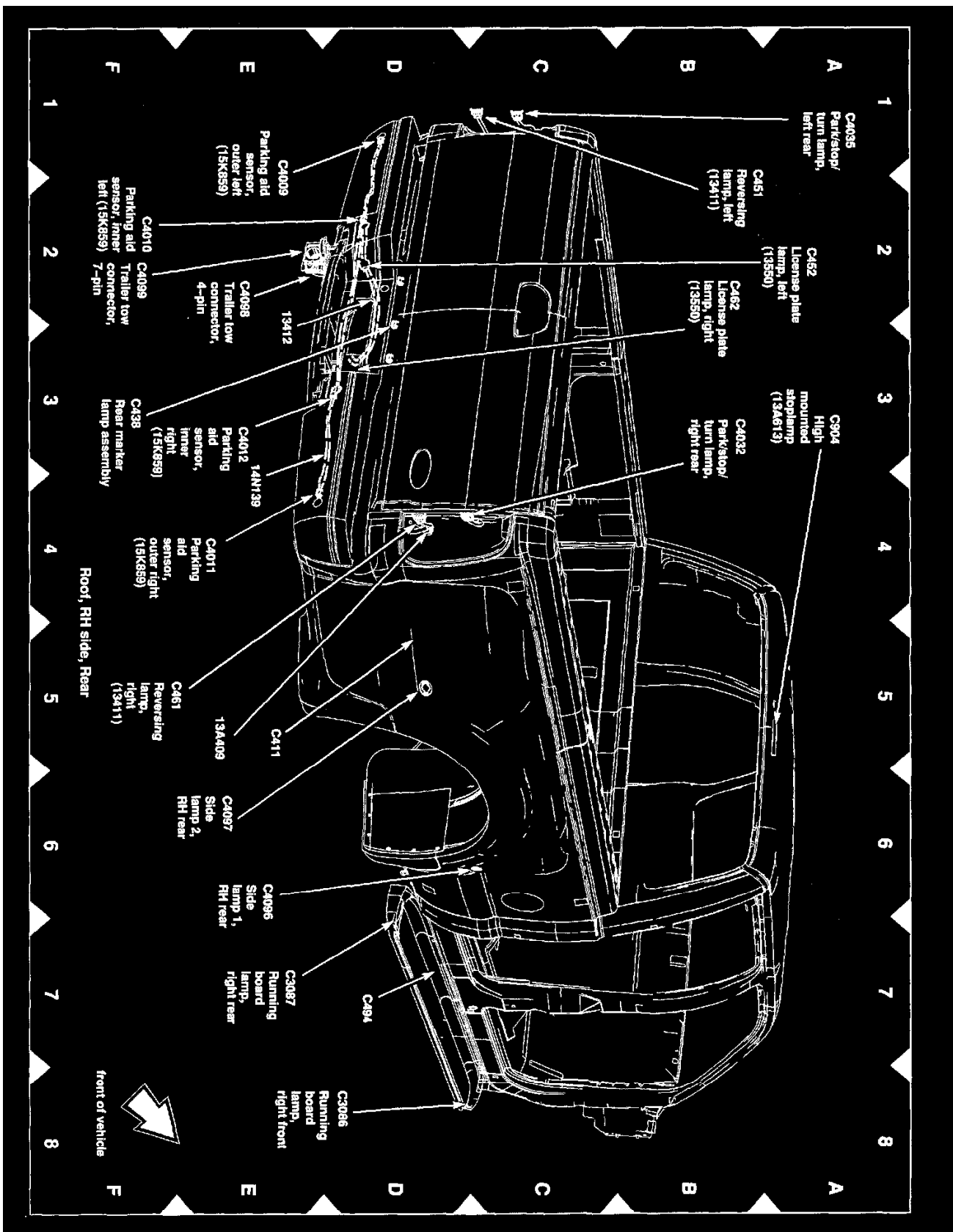
View 151-26 (Left Rear Door, Crew Cab)



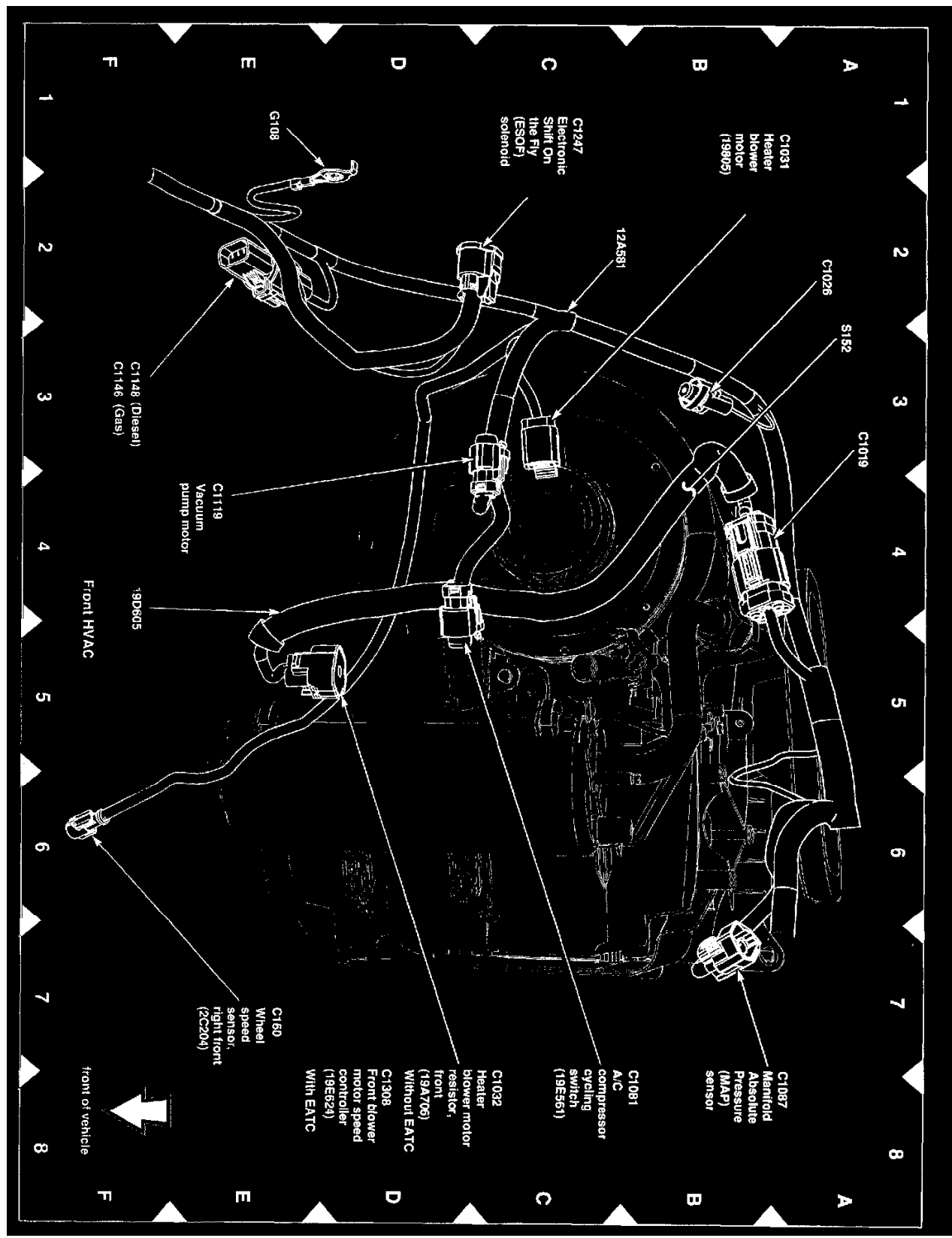
View 151-27 (Right Rear Door, Crew Cab)



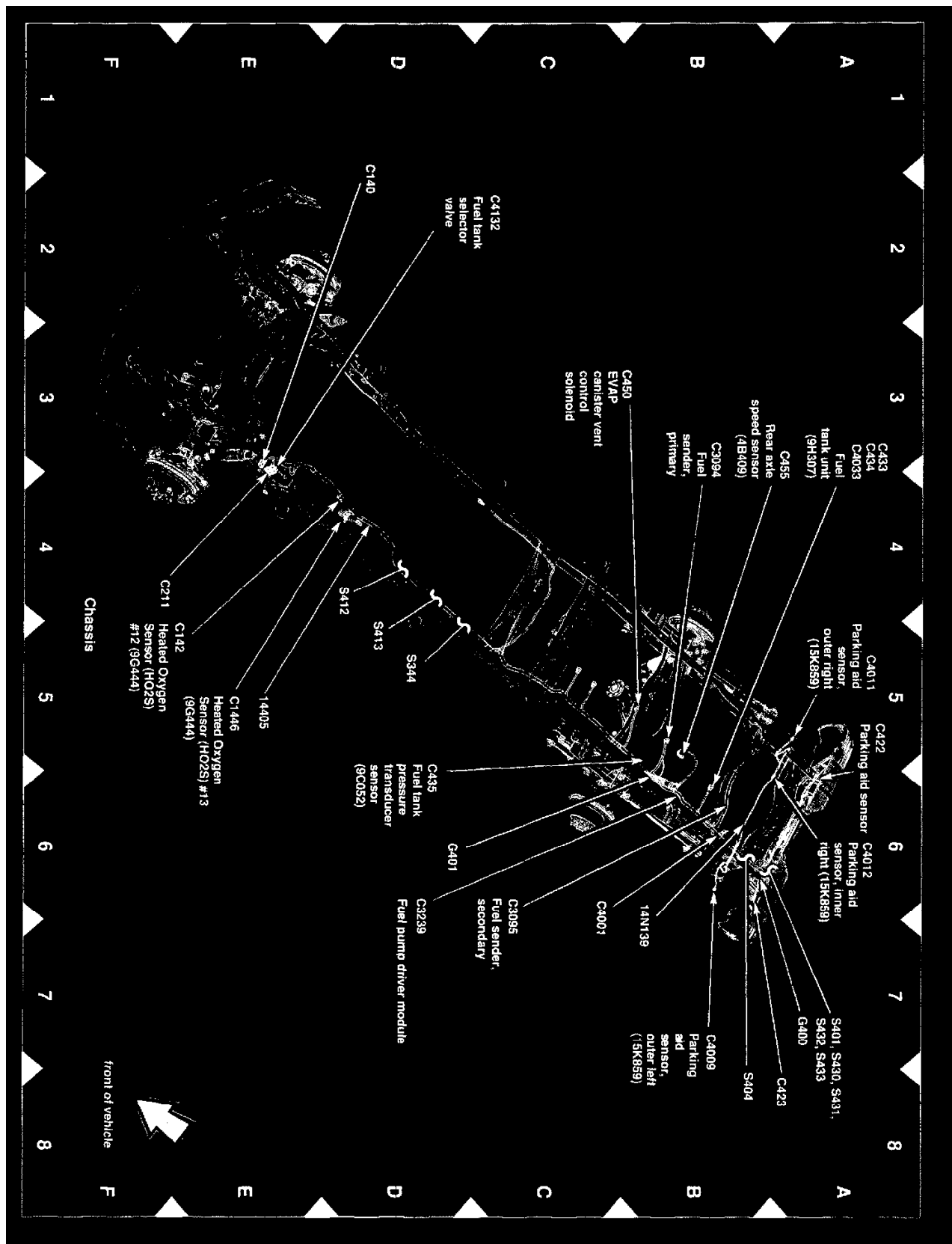
View 151-28 (Roof, LH Side, Front)



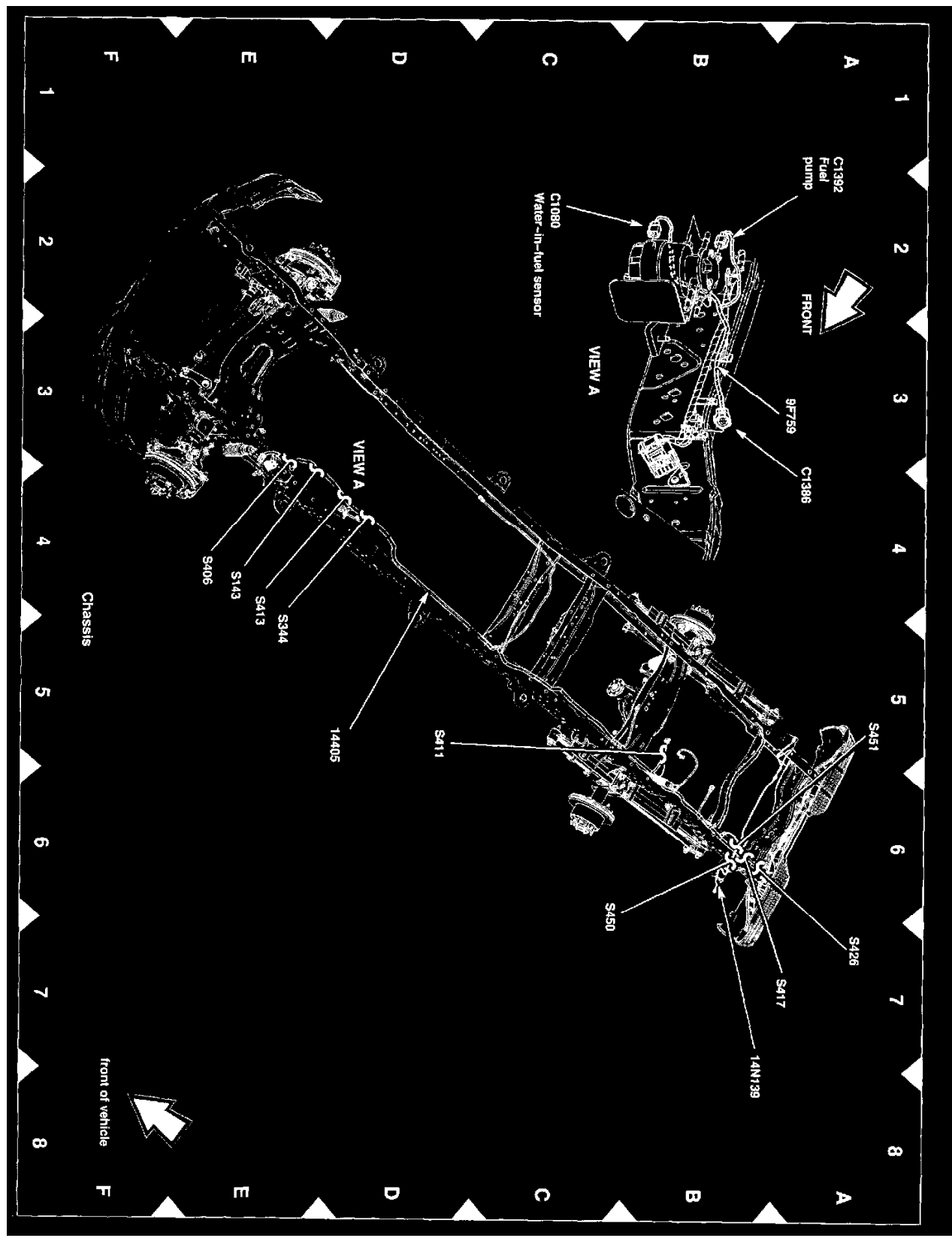
View 151-29 (Roof, RH Side, Rear)



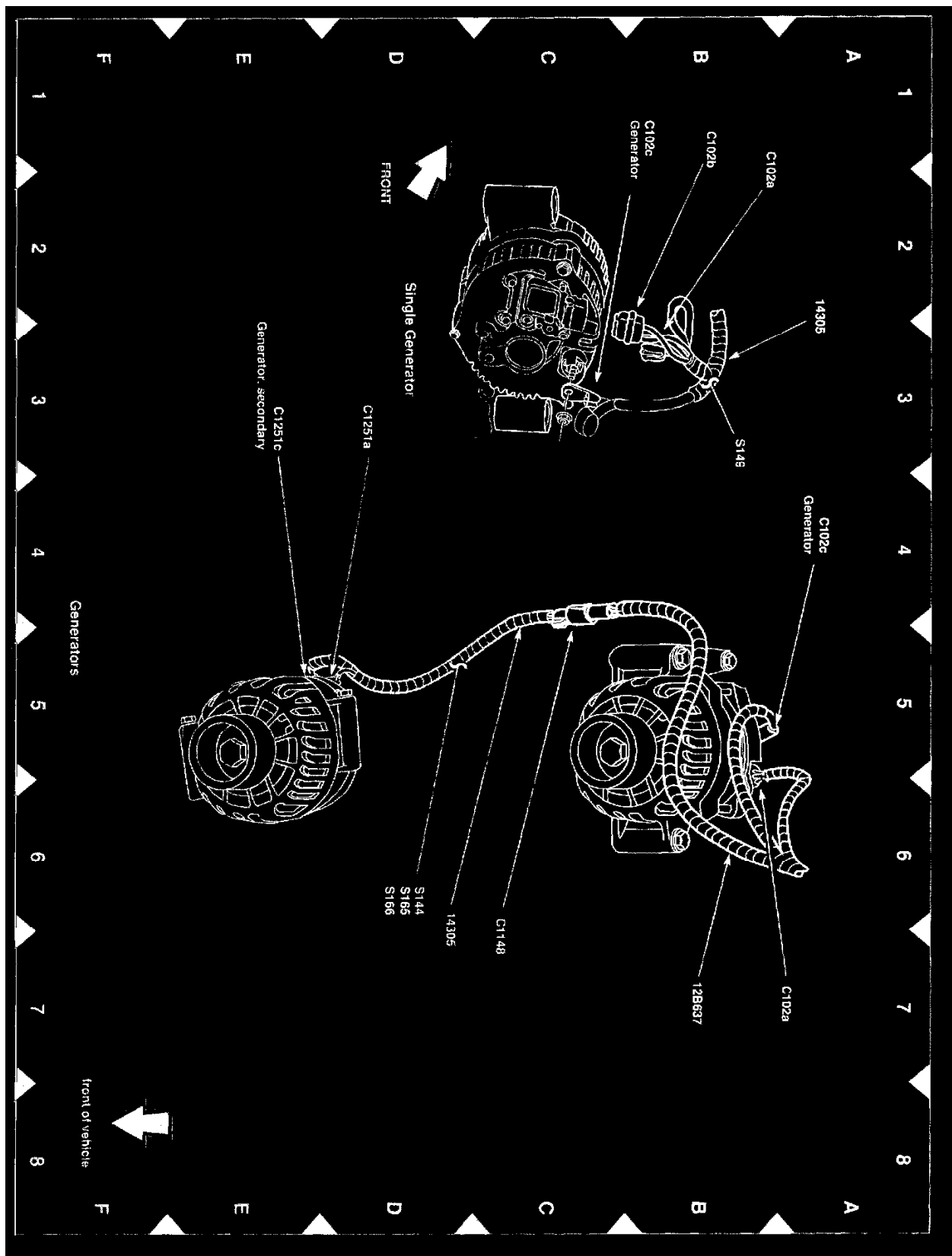
View 151-30 (Front HVAC)



View 151-31 (Chassis)



View 151-32 (Chassis)



View 151-33 (Generators)

**Connector Location Index**

**PLEASE NOTE:** If a link on the Connector Location Index to a View is not provided, that means that the Connector and/or View in question does NOT apply to the vehicle model selected.

Connectors		View 151-*/coordinates			
Location					
C100	engine, front, on A/C compressor - 6.0L Diesel	13 - E7	C116	engine, top, LH side - 5.4L	7 - E7
C100	engine, front, on A/C compressor - 6.8L	10 - D1	C116	engine, top, LH side - 6.8L	10 - E7
C100	engine, front, on A/C compressor - 5.4L	7 - D1	C117	engine, top, LH side - 5.4L	7 - C7
C101	engine, front, behind crankshaft pulley - 5.4L	7 - F3	C117	engine, top, LH side - 6.8L	10 - E7
C101	engine, RH side, below glow plug bank - 6.0L Diesel	13 - E6	C118	engine, top, LH side - 5.4L	7 - C6
C101	engine, front, behind crankshaft pulley - 6.8L	10 - E2	C118	engine, top, LH side - 6.8L	10 - D7
C102a	engine, upper, front	33 - A7	C124	engine compartment, LH side - Diesel	5 - A5
C102a	engine, upper, front	33 - B1	C124	engine compartment, LH side	6 - C7
C102b	engine, upper, front	33 - B1	C125	engine compartment, rear	1 - A5
C102c	engine, RH side, top	33 - B1	C128	engine compartment, in intake system	1 - A4
C102c	engine, RH side, top	33 - A4	C128	engine compartment, in intake system - Diesel	3 - F4
C103	engine, LH side, lower - 6.0L Diesel	13 - B7	C131	engine compartment, front, RH side	1 - D1
C103	engine, LH side, lower - 6.8L	10 - F4	C132	engine compartment, front	1 - E6
C103	engine, LH side, lower - 5.4L	7 - F6	C133	engine compartment, LH side, rear	6 - F6
C104	engine, rear - 5.4L	8 - F4	C135	engine compartment, LH side - Diesel	5 - A7
C104	engine, top on oil reservoir - 5.4L	13 - C7	C135	engine compartment, LH side	6 - A7
C104	engine, top on oil reservoir - 6.0L Diesel	13 - C7	C137	engine compartment, RH side	1 - E3
C106	engine, top, LH side - 5.4L	7 - E7	C140	engine compartment, LH side, rear - Diesel	5 - E5
C107	engine, top, LH side - 5.4L	8 - F3	C140	engine compartment, LH side, rear	6 - F6
C107	engine, top, LH side - 6.8L	11 - B7	C141	vehicle underbody, LH side, rear transmission	14 - F2
C108	engine, rear, RH cylinder head - 5.4L	8 - D2	C142	vehicle underbody, RH side, rear transmission	14 - B5
C109	engine, rear, LH cylinder head - 5.4L	8 - E6	C145	engine compartment, LH side, rear	5 - B3
C110	engine compartment, LH side - 5.4L	8 - A3	C145	engine compartment, LH side, rear - Diesel	6 - B3
C110	engine compartment, LH side - 6.8L	10 - D7	C146	engine compartment, LH side, rear - Diesel	5 - A3
C111	engine, top, RH side - 5.4L	8 - D7	C150	engine compartment, LH side, rear	6 - B3
C111	engine, top, RH side - 6.8L	11 - D7	C152	engine compartment, LH side	1 - A5
C112	engine, top, RH side - 5.4L	8 - D7	C160	front of vehicle, (exterior), LH side	3 - F5
C112	engine, top, RH side - 6.8L	11 - D7	C162	engine compartment, RH side	30 - E7
C113	engine, top, RH side - 5.4L	8 - D7	C169	front of vehicle, (exterior), RH side - Diesel	3 - F3
C113	engine, top, RH side - 6.8L	11 - D7	C171	on transmission	14 - F3
C114	engine, top, RH side - 5.4L	11 - E7	C171	engine, rear, RH side - 5.4L	8 - E3
C114	engine, top, RH side - 6.8L	11 - E7	C172	engine, rear, RH side - 6.8L	11 - F3
C115	engine, top, LH side - 5.4L	8 - E7	C172	engine, rear, LH side - 5.4L	8 - D2
C115	engine, top, LH side - 6.8L	7 - E6	C174	engine, rear, LH side - 6.8L	10 - C7
C115	engine, top, LH side - 5.4L	11 - E7	C174	engine, top - 5.4L	8 - B7
C115	engine, top, LH side - 6.8L	11 - E7	C175a	engine, top - 6.8L	10 - B1
			C175a	engine compartment, RH side, rear	1 - A4

C100-C175a

Connectors		Location	View 1S1-*/coordinates
C175b	engine compartment, RH side, rear	1 - A4	
C175c	engine compartment, RH side, rear	1 - A4	
C181	engine, top, RH side - 5.4L	7 - A2	
C181	engine, top, RH side - 5.4L	8 - B6	
C181	engine, top, RH side - 6.8L	11 - B6	
C182	engine, top, RH side - 5.4L	8 - B6	
C182	engine, top, RH side - 6.8L	11 - A4	
C183	engine, top, RH side - 5.4L	8 - A6	
C183	engine, top, RH side - 6.8L	11 - A3	
C184	engine, top, RH side - 5.4L	8 - A6	
C184	engine, top, RH side - 6.8L	11 - A3	
C185	engine, top, LH side - 5.4L	7 - A5	
C185	engine, top, RH side - 6.8L	11 - A2	
C186	engine, top, LH side - 6.8L	10 - B3	
C186	engine, top, LH side - 5.4L	7 - A5	
C187	engine, top, LH side - 5.4L	7 - B6	
C187	engine, top, LH side - 6.8L	10 - A3	
C188	engine, top, LH side - 6.8L	10 - A7	
C188	engine, top, LH side - 5.4L	7 - B6	
C191	front of engine, top, center - 6.8L	10 - A2	
C192	engine compartment, LH side, rear	6 - E7	
C192	engine compartment, LH side, front - 5.4L	7 - D7	
C194	engine, top - 5.4L	7 - B3	
C194	engine, top, on front of LH valve cover - 6.8L	10 - F3	
C196	engine compartment, front, LH side - Diesel	3 - E5	
C197a	engine, bottom, RH side - 5.4L	8 - E5	
C197b	engine, bottom, RH side - 5.4L	8 - E6	
C202a	on steering column	18 - D7	
C202b	on steering column	18 - A5	
C203	dash panel, center	16 - B7	
C205a	dash panel, LH side, near steering column	16 - C8	
C205b	dash panel, LH side, near steering column	16 - D8	
C210	under dash panel, RH side	16 - E2	
C211	engine compartment, LH side, rear	16 - F7	
C213	under dash panel, LH side	16 - B7	
C214	engine compartment, LH side, rear - Diesel	5 - E5	
C218a	on steering column	17 - E7	
C218b	on steering column	17 - A6	
C220a	dash panel, LH side	16 - B8	
C220b	dash panel, LH side	16 - B7	
C228a	dash panel, center	16 - E3	
C228b	dash panel, center	16 - A5	
C233	behind dash panel, LH side, near steering column	16 - D7	
C250	on steering column	16 - E5	
C251	under dash panel, LH side	17 - E5	
C256	dash panel, RH side	16 - A2	
C257	on clutch pedal support	17 - D8	
C258	in Central Junction Box (CJB)	16 - E8	
C264	under dash panel, RH side	16 - D2	
C265	in dash panel, center	16 - B7	
C270a	under dash panel, LH side	16 - E8	
C270b	under dash panel, LH side	16 - E8	
C270c	under dash panel, LH side	16 - F8	
C270d	under dash panel, LH side	16 - E8	
C270e	under dash panel, LH side	16 - F8	
C270f	under dash panel, LH side	16 - E8	
C270g	under dash panel, LH side	16 - A6	
C270h	under dash panel, LH side	16 - A6	
C270j	under dash panel, LH side	16 - A6	
C270k	under dash panel, LH side	16 - A6	
C270l	under dash panel, LH side	16 - A6	
C270p	under dash panel, LH side	16 - A6	
C278	on brake pedal support	16 - E7	
C281a	under dash panel, RH side	16 - F3	
C281b	under dash panel, RH side	16 - A2	
C284	dash panel, LH side	16 - A7	
C286	dash panel, top	16 - A3	
C289	under dash panel, RH side	16 - D3	
C290a	dash panel, center	16 - B5	
C291	under dash panel, LH side	17 - A5	
C294a	in dash panel	15 - D6	
C294b	in dash panel	15 - D6	
C294c	in dash panel	15 - E6	
C294d	in dash panel	15 - E6	

C175b-C294d

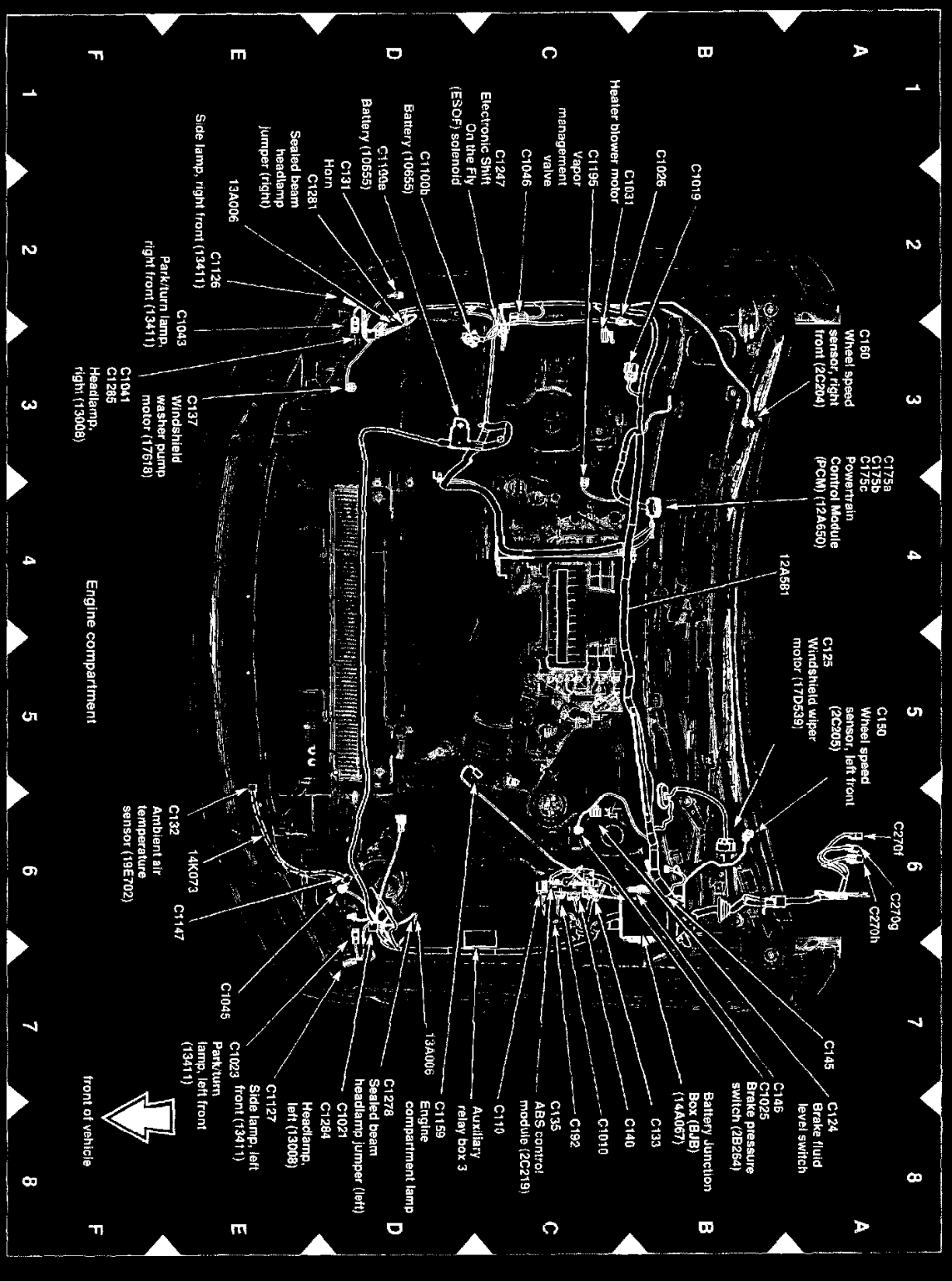
Connectors	Location	View 151-*/coordinates		
C300	behind dash panel, RH side	16 - E1	C494	vehicle underbody
C301	Rear of cab	28 - E7	C495	vehicle underbody
C312	vehicle interior, rear	28 - B5	C500	in driver door
C320	driver seat, LH side	20 - F3	C504a	in driver door, top
C321	under passenger seat, RH side	21 - D2	C504b	in driver door, top
C323	seat belt buckle, driver side	20 - D6	C505	in driver door, top
C330	under passenger seat, RH side	21 - C3	C510	in driver door
C334	under passenger seat, RH side	21 - F2	C521	driver's door (exterior)
C335	under passenger seat, RH side	21 - E2	C523	in driver door
C340	under passenger seat, RH side	19 - A7	C524	in driver door
C350a	on transfer case	14 - C6	C525	in driver door
C350b	on transfer case	14 - F4	C526	in driver door
C357	under driver seat	20 - F5	C527	in driver door
C359	under driver seat	20 - C2	C601	front of passenger door exterior
C360	in driver seat	20 - E7	C602	in passenger door
C364	driver seat	20 - E2	C603	in passenger door
C365	driver seat	20 - E2	C604	in passenger door, top of door trim
C369	driver seat, LH side	20 - E6	C605	in passenger door, top of door trim
C408	vehicle rear end	31 - A6	C608	in passenger door
C410	vehicle rear end	28 - B8	C612	in passenger door
C411	vehicle rear end	29 - E5	C701	in LH rear door - Crew cab
C422	main chassis side member, vehicle rear end, RH side	31 - A6	C702	in LH rear door - Super cab
C423	main chassis side member, vehicle rear end, LH side	31 - A7	C703	in LH rear door
C433	vehicle rear end	31 - D6	C704	in LH rear door
C434	vehicle underbody, LH side, by axle	31 - A3	C715	in LH rear door
C435	vehicle underbody, LH side, by axle	31 - D5	C801	in RH rear door
C438	vehicle rear end, center	29 - F3	C802	in RH rear door - Super cab
C450	vehicle underbody, LH side, by axle	31 - C4	C802	in RH rear door - Crew cab
C451	vehicle rear end, LH side	29 - B1	C803	in RH rear door
C452	vehicle rear end	29 - B2	C804	in RH rear door
C455	on differential	31 - B4	C820	in RH rear door
C461	vehicle rear end, RH side	29 - E5	C904	in roof panel, rear center
C462	vehicle rear end	29 - B2	C911	in roof panel, rear center
C465	vehicle rear end	31 - A6	C921a	roof, RH side, front
			C911	roof, LH side, front
			C931	roof, front center
			C932	in roof panel, above rear seats
				in roof panel, front center
				in roof panel, above rear seats

Connectors		View 151-*/coordinates	
	Location		
C970	roof, front	28 - A4	C1100a engine compartment, RH side
C971	roof, front	28 - A3	C1100b engine compartment, RH side
C972	roof, front	28 - A3	C1107 transmission, rear
C973	roof, front	28 - A2	C1119 engine compartment, RH side
C974	roof, front	28 - A1	C1126 front of vehicle, RH side
C1000	in Battery Junction Box (BJB)	1 - B7	C1127 front of vehicle, LH side
C1008	in Battery Junction Box (BJB)	1 - B7	C1129 in Auxiliary relay box 3
C1010	engine compartment, rear LH side - Gasoline	6 - F6	C1147 front of vehicle, LH side
C1010	engine compartment, rear LH side - Diesel	5 - E6	C1148 engine compartment, RH side
C1011	in Battery Junction Box (BJB)	1 - B7	C1158 engine, top, front - 6.0L Diesel
C1019	engine compartment, RH side, rear	30 - A3	C1159 engine compartment - Diesel
C1021	front of vehicle, LH side	1 - D7	C1171 engine compartment
C1023	front of vehicle, LH side	1 - E7	C1172 in Battery Junction Box (BJB)
C1025	engine compartment, LH side, rear - Gasoline	6 - E4	C1173 in Battery Junction Box (BJB)
C1025	engine compartment, LH side, rear	1 - B7	C1177 in Auxiliary relay box 3
C1025	engine compartment, LH side, rear	1 - B7	C1181 on transfer case, top
C1026	engine compartment, LH side, rear - Diesel	5 - E4	C1182 engine, top, RH side - 6.0L Diesel
C1026	engine compartment, RH side, rear	30 - A2	C1183 engine, top, LH side - 6.0L Diesel
C1031	engine compartment, RH side, rear	30 - B1	C1184 engine, top, RH side - 6.0L Diesel
C1032	engine compartment, RH side, rear	30 - D7	C1185 engine, top, LH side - 6.0L Diesel
C1035	Engine compartment, LH side, rear	2 - A6	C1186 engine, top, LH side - 6.0L Diesel
C1035	Engine compartment, LH side, rear - Diesel	3 - A7	C1187 in Battery Junction Box (BJB)
C1041	front of vehicle, RH side	1 - F3	C1188 in Battery Junction Box (BJB)
C1043	front of vehicle, RH side	1 - F2	C1189 throttle body, RH side - 6.8L
C1045	engine compartment, LH side, front	1 - E7	C1195 engine compartment, rear
C1046	engine compartment, RH side	1 - C1	C1204 engine, top, LH side - 6.8L
C1062	engine, front, near bottom - 6.0L Diesel	13 - D7	C1205 engine, top, LH side - 6.8L
C1064	engine, front, LH side, near thermostat housing - 6.0L Diesel	12 - E2	C1206 engine, top, LH side - 6.8L
C1073	engine, RH side - 5.4L	8 - A2	C1207 engine, top, LH side - 6.8L
C1073	engine, RH side - 6.8L	10 - A6	C1210 engine compartment, LH side, on air cleaner housing
C1078	engine, front, RH side - 5.4L	7 - C2	C1221 engine, top, RH rear - 5.4L
C1078	engine, front, RH side - 6.8L	10 - C1	C1235 in Battery Junction Box (BJB)
C1080	vehicle underbody, LH side, near transmission	32 - C2	C1236 engine, LH side
C1081	engine compartment, RH side	30 - C7	C1244 engine, top, rear - 6.0L Diesel
C1087	engine compartment, rear	30 - B7	C1247 engine compartment, RH side
			C1249a engine compartment, LH side - Diesel
			C1249b engine compartment, LH side - Diesel

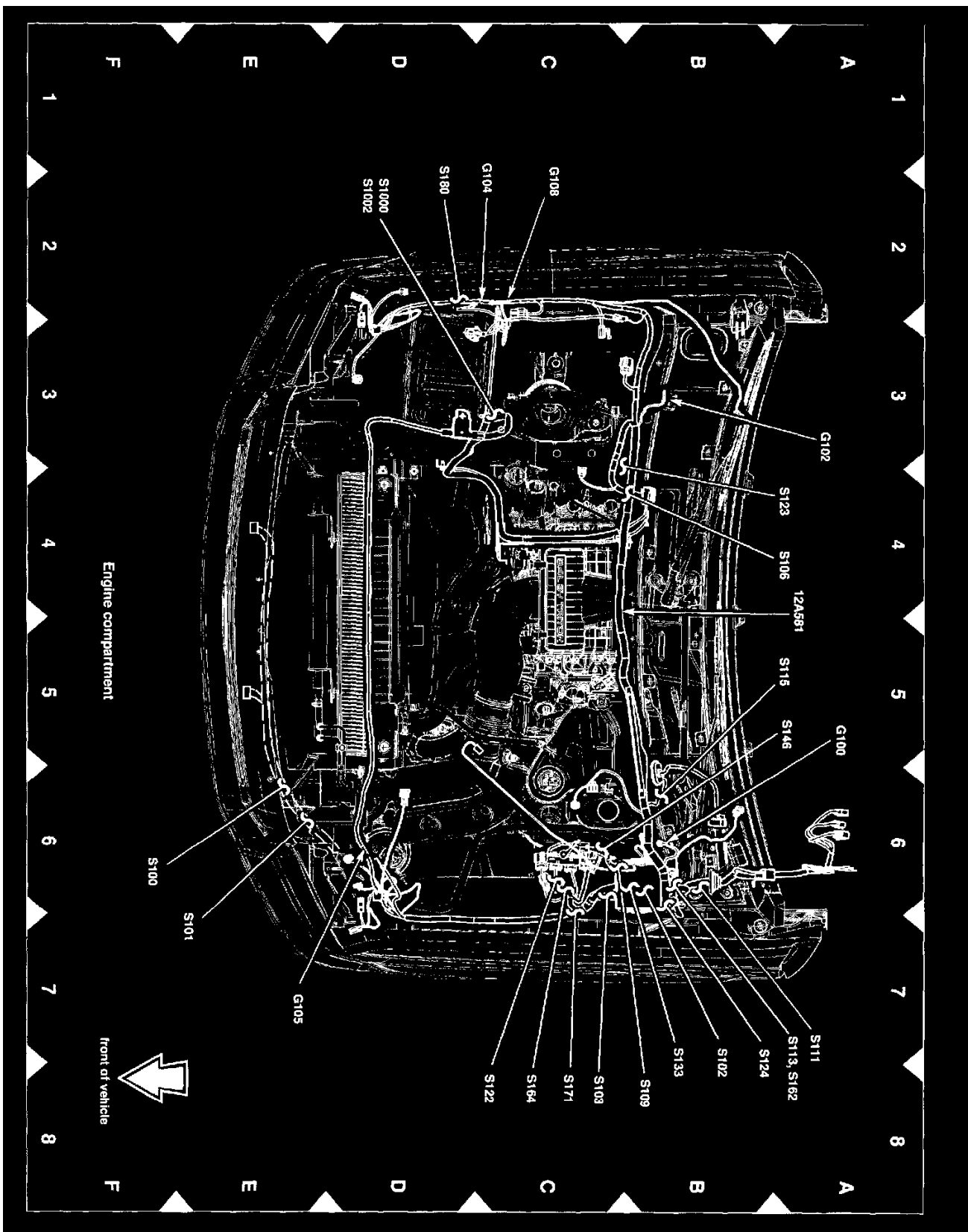
Connectors	Location	View 151-*/coordinates
C1251a	engine, upper, front	33 - B1
C1251a	engine, lower, front, RH side - 6.0L with dual generators	33 - D3
C1251c	engine, lower, front, RH side - 6.0L with dual generators	33 - E3
C1251c	engine, upper, front	33 - B1
C1271	engine, near camshaft pulley, LH side - 6.0L Diesel	12 - F3
C1273a	engine, top, front, on RH valve cover - 6.0L Diesel	13 - C7
C1273b	engine, top, front, on RH valve cover - 6.0L Diesel	13 - C7
C1275	engine, LH side, bottom - 6.0L Diesel	12 - F4
C1282	engine compartment, LH side, rear - Diesel	5 - E6
C1284	front of vehicle, LH side	1 - E7
C1285	front of vehicle, RH side	1 - F3
C1298	engine compartment, LH side - Diesel	5 - E5
C1308	engine compartment, RH side	30 - D8
C1312	engine, top, RH side - 6.0L Diesel	13 - E2
C1313	engine, top, LH side - 6.0L Diesel	13 - D1
C1329	in Battery Junction Box (BJB)	1 - B7
C1360	engine, top, on oil pump - 6.0L Diesel	13 - D1
C1366	engine, upper, on front of RH cylinder head - 5.4L	7 - E2
C1366	engine, upper, on front of RH cylinder head - 6.8L	10 - C1
C1367	engine, upper, on front of LH cylinder head - 5.4L	7 - E6
C1368	engine, attached to throttle body - 5.4L	8 - C1
C1368	engine, attached to throttle body - 6.0L Diesel	13 - B7
C1368	engine, attached to throttle body - 6.8L	10 - A5
C1369	engine, RH side, front - 5.4L	7 - A1
C1369	engine, RH side, front - 5.4L	8 - C7
C1370	engine, LH side, front - 5.4L	7 - F3
C1381a	engine compartment, left fender - Diesel	5 - B7
C1381b	engine compartment, left fender - Diesel	5 - B7
C1381c	engine compartment, left fender - Diesel	5 - B7
C1385	vehicle underbody, RH side, on transmission	14 - C7
C1386	vehicle underbody, LH side, near transmission	14 - C2
C1387	transmission, front	14 - B5
C1388a	engine, top, LH side - 6.0L Diesel	12 - B8
C1388b	engine, top, LH side - 6.0L Diesel	12 - B8
C1388c	engine, top, LH side - 6.0L Diesel	12 - C8
C1389	engine, top, near throttle body - 6.0L Diesel	13 - A6
C1390	engine, top - 6.0L Diesel	12 - A5
C1392	vehicle underbody, LH side, near transmission	32 - A1
C1413	engine, front, LH side - 6.0L Diesel	12 - F7
C1414	engine, front, RH side - 6.0L Diesel	13 - D7
C1443	engine, top, RH side, front - 6.0L Diesel	13 - B7
C1444	engine, rear - 5.4L	8 - D2
C1445	engine compartment, LH rear	16 - F5
C1446	vehicle underbody, LH side, front	31 - E6
C1447	engine, RH side, rear - 6.8L	11 - F2
C2003	in LH front footwell	16 - E5
C2008	on steering column	16 - E6
C2015	in footwell, driver side	28 - F1
C2031	dash panel, center, bottom	17 - D3
C2033	dash panel, center, bottom	16 - A3
C2035	dash panel, LH side	16 - B5
C2040	on accelerator pedal support	16 - E4
C2041	behind dash panel, center	15 - E6
C2047	behind dash panel, center, in auxiliary relay box 1	16 - E4
C2075	in Central Junction Box (CJB)	15 - A3
C2089	dash panel, LH side	16 - D8
C2093	dash panel, behind A/C control	17 - E3
C2099	dash panel, center	15 - A6
C2110	in Central Junction Box (CJB)	16 - F7
C2113a	under dash panel, LH side	28 - C1
C2113b	under dash panel, LH side	28 - C1
C2113c	under dash panel, LH side	28 - C1
C2142a	behind dash panel, LH side	17 - D2
C2142b	behind dash panel, center	17 - E3

C1251a-C2142b

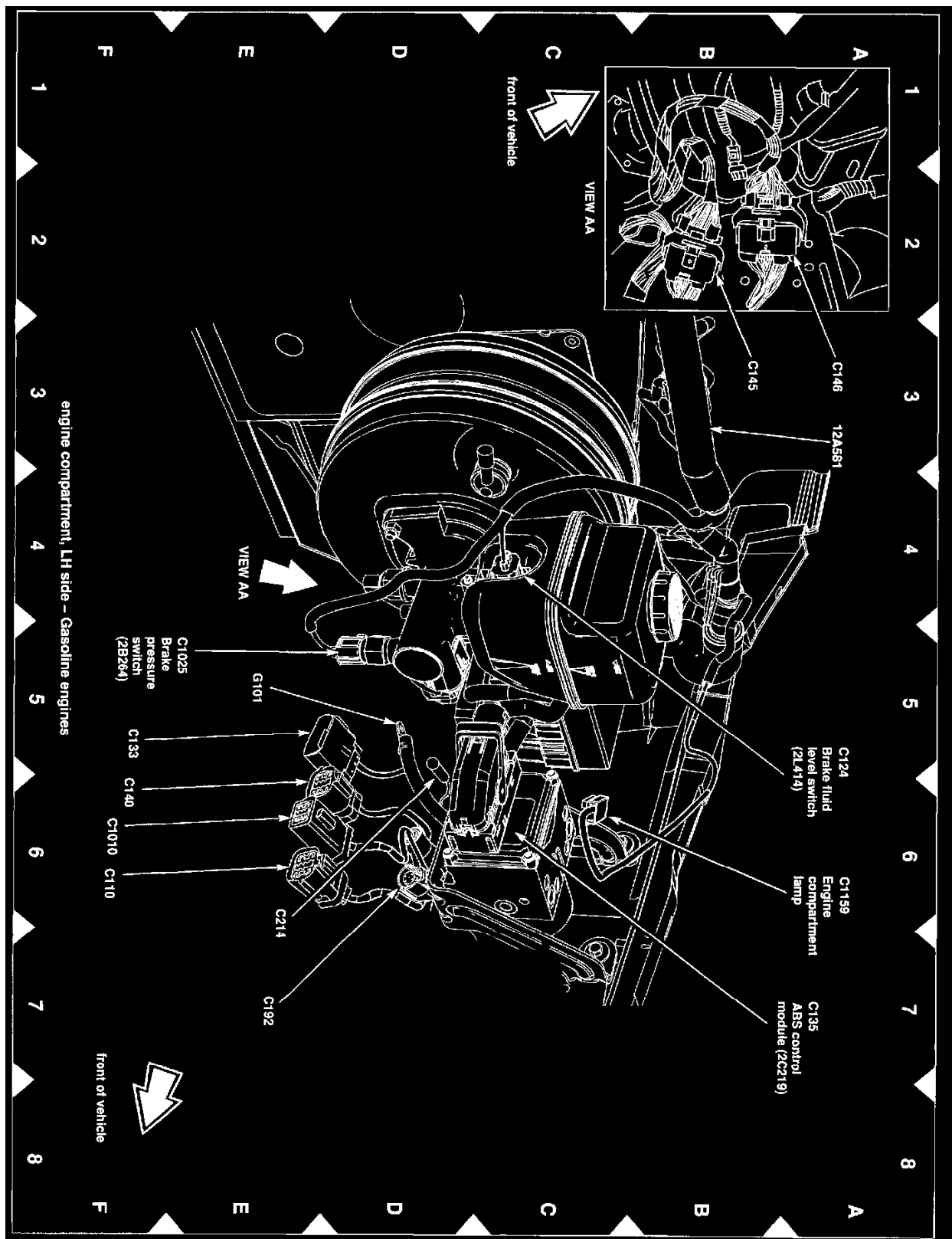
Connectors	Location	View 151-*/coordinates
C2160	in Central Junction Box (CJB)	16 - F6
C2163	in Central Junction Box (CJB)	16 - E8
C2194	behind dash panel, center	16 - D3
C2207	under dash panel, RH side	16 - D1
C2255	on steering column, LH side	18 - B3
C2256	behind dash panel, LH side, near steering column	17 - E4
C2257	in Central Junction Box (CJB)	15 - A3
C2300	dash panel, center	15 - E6
C2301	in Uppfitter relay box	16 - E3
C2302	in Uppfitter relay box	16 - E3
C2303	in Uppfitter relay box	16 - E3
C2304	in Uppfitter relay box	16 - E3
C3007	under driver seat	28 - E5
C3015	under passenger seat	21 - F6
C3049	under driver seat	19 - A6
C3084	vehicle exterior, LH side	28 - F4
C3085	vehicle exterior, LH side	28 - F7
C3086	vehicle exterior, RH side	29 - D8
C3087	vehicle exterior, RH side	29 - E7
C3094	vehicle underbody, on fuel tank	31 - B3
C3095	vehicle underbody, on fuel tank	31 - C6
C3239	vehicle rear end	31 - D6
C4001	truck bed	31 - C6
C4009	rear bumper, LH side	29 - E1
C4010	rear bumper, LH side	29 - F2
C4011	rear bumper, RH side	29 - E4
C4012	rear bumper, RH side	29 - E3
C4014	RH A-pillar, behind trim panel	16 - E2
C4015	RH A-pillar, behind trim panel	16 - E2
C4032	vehicle rear end, RH side	29 - B3
C4033	vehicle underbody, LH side	31 - A4
C4035	vehicle rear end, LH side	29 - A1
C4094	truck bed, left fender, front	28 - B7
C4095	truck bed, left fender, rear	28 - D8
C4096	truck bed, right fender, front	29 - E6
C4097	truck bed, right fender, rear	29 - E6
C4098	vehicle rear end	29 - E3
C4099	vehicle rear end	29 - E2
C4132	vehicle underbody, LH frame rail	31 - C2
C9013	in roof panel, front	28 - A3



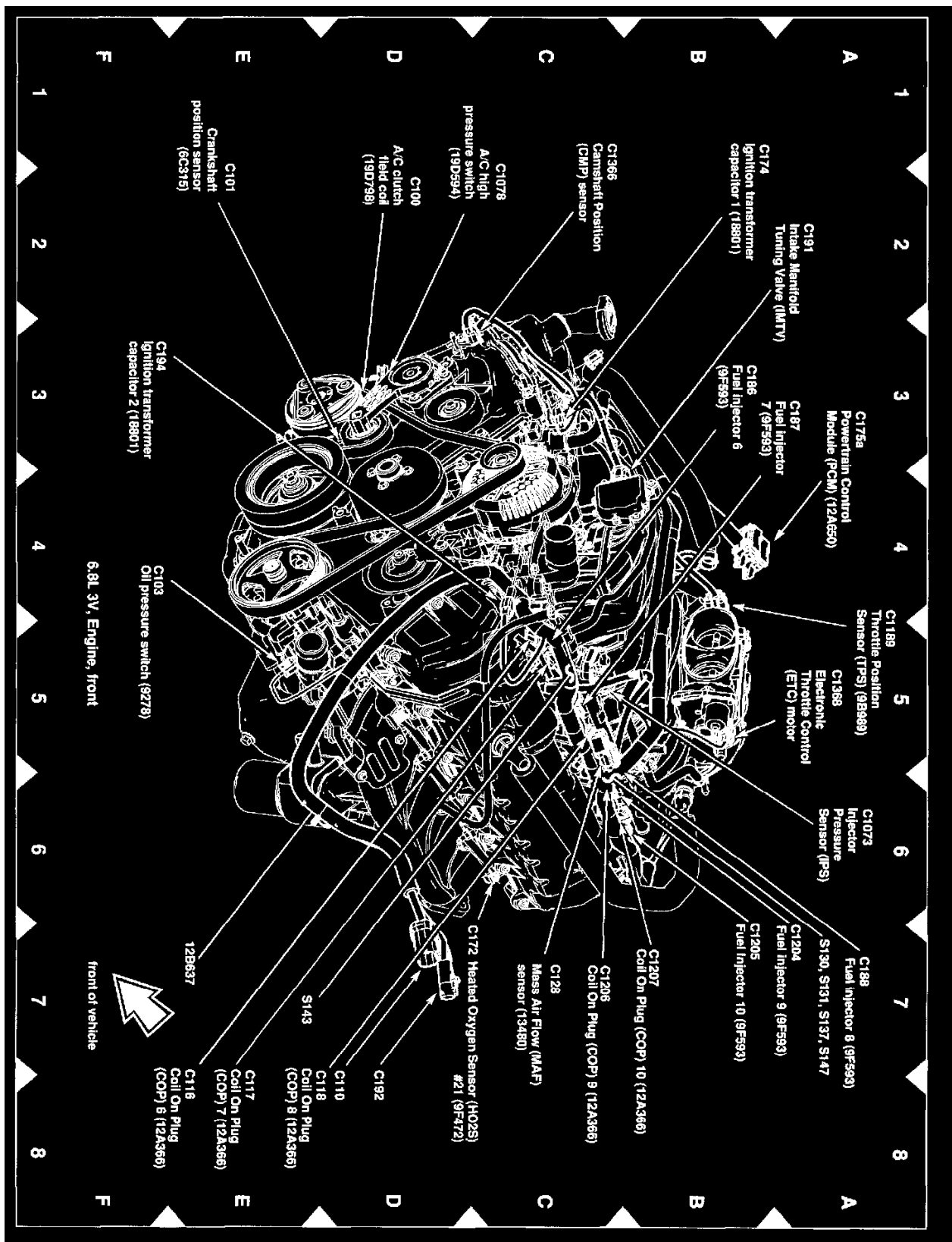
View 151-1 (Engine Compartment)



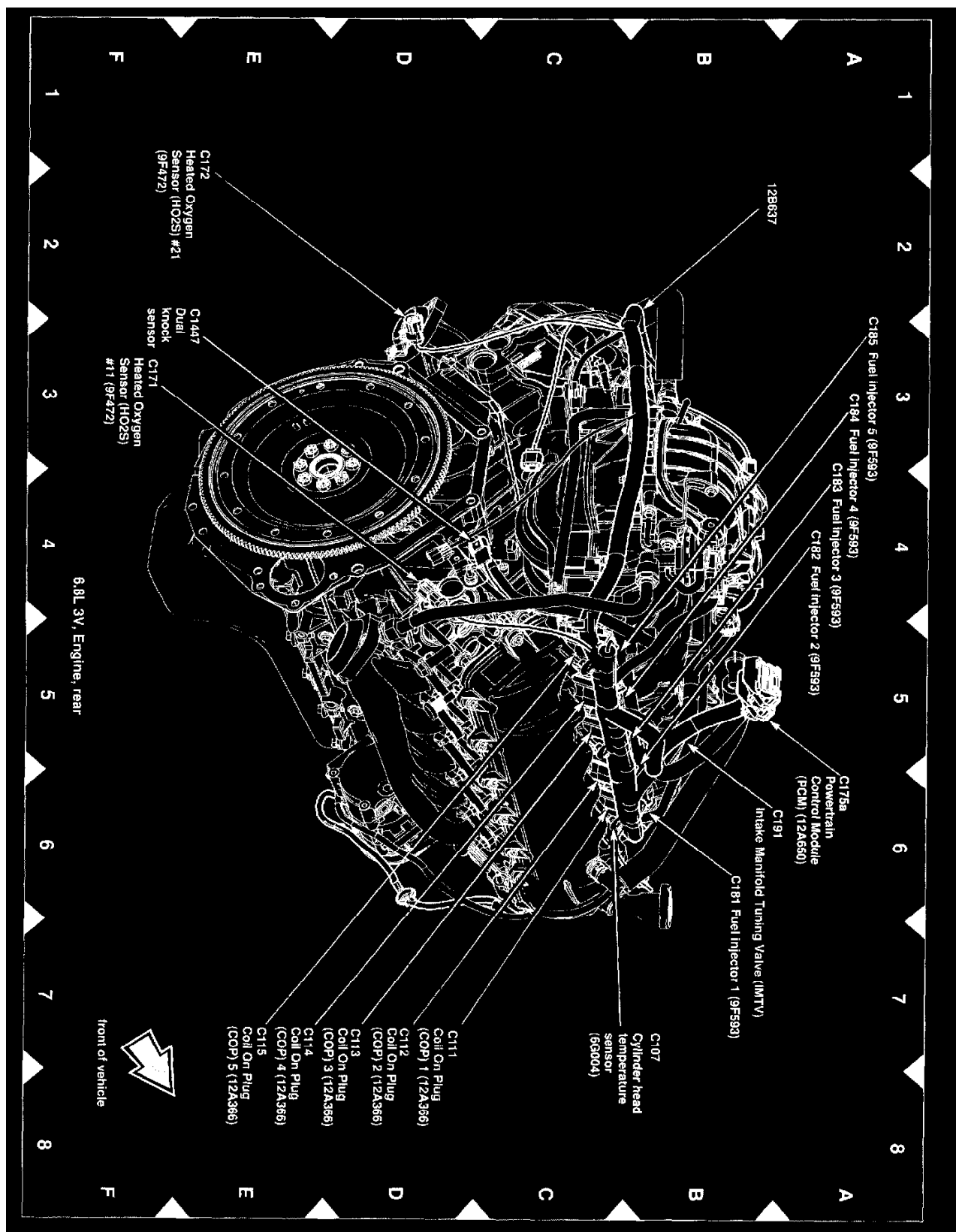
View 151-2 (Engine Compartment)



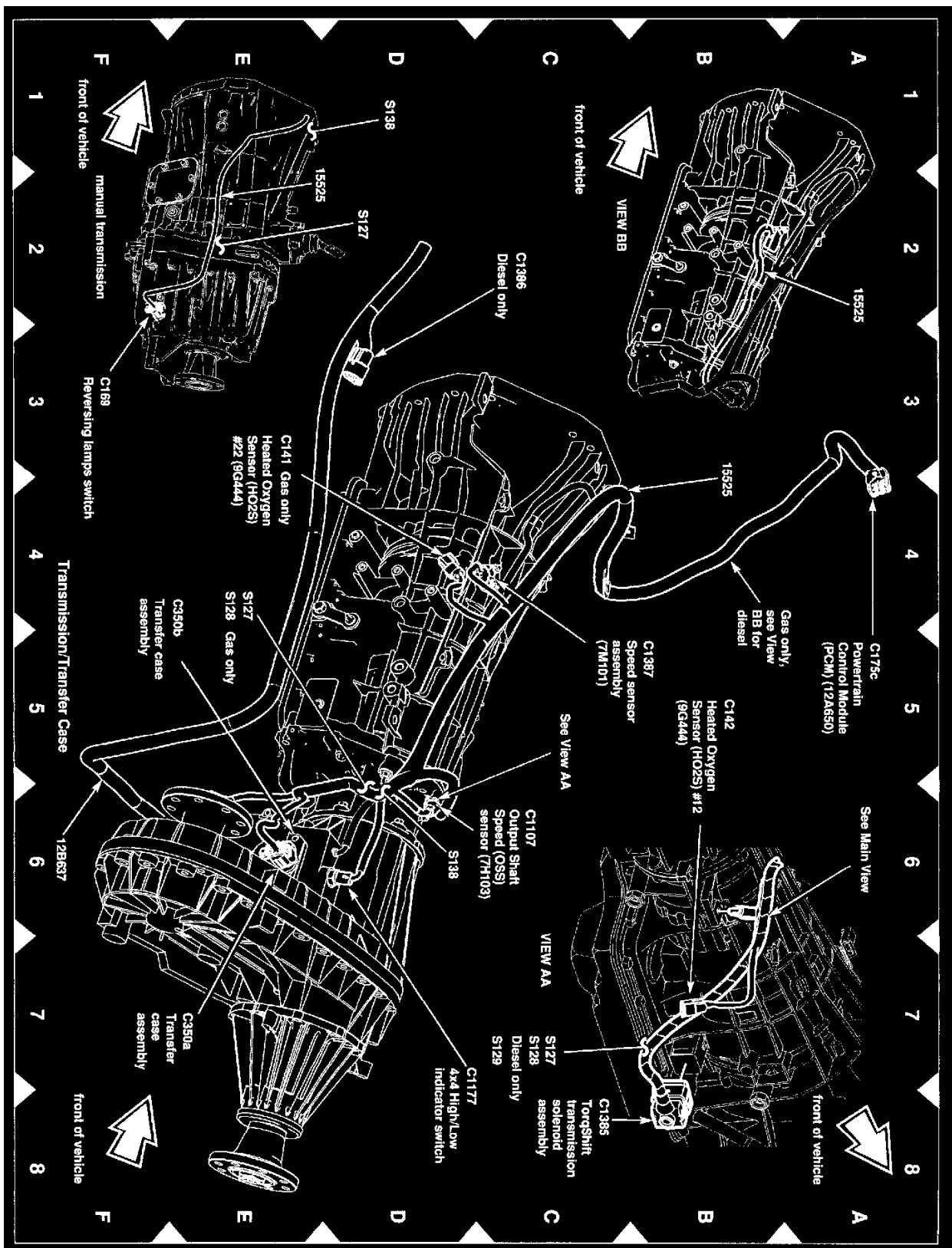
View 151-6 (Engine Compartment, LH Side)



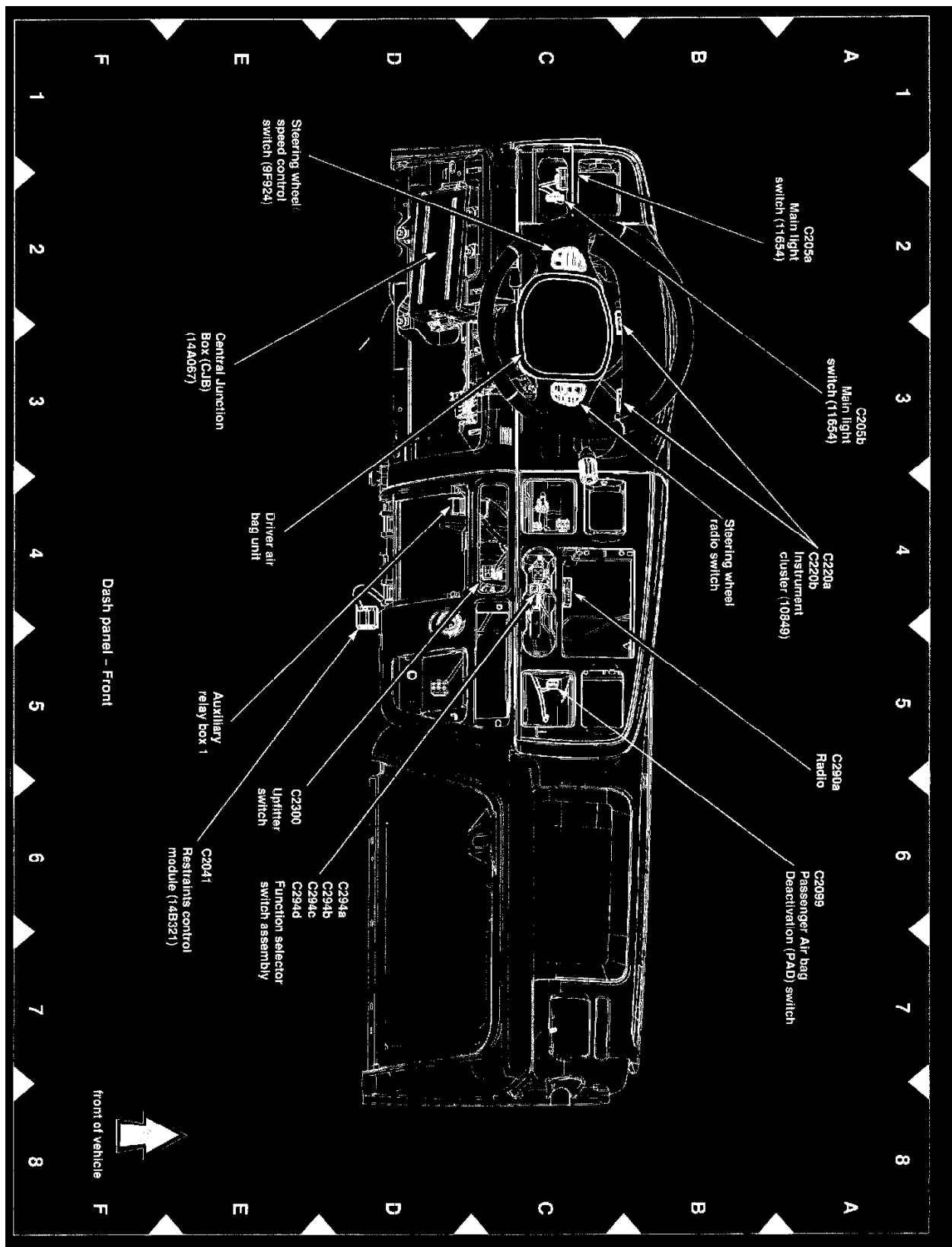
View 151-10 (Engine, Front)



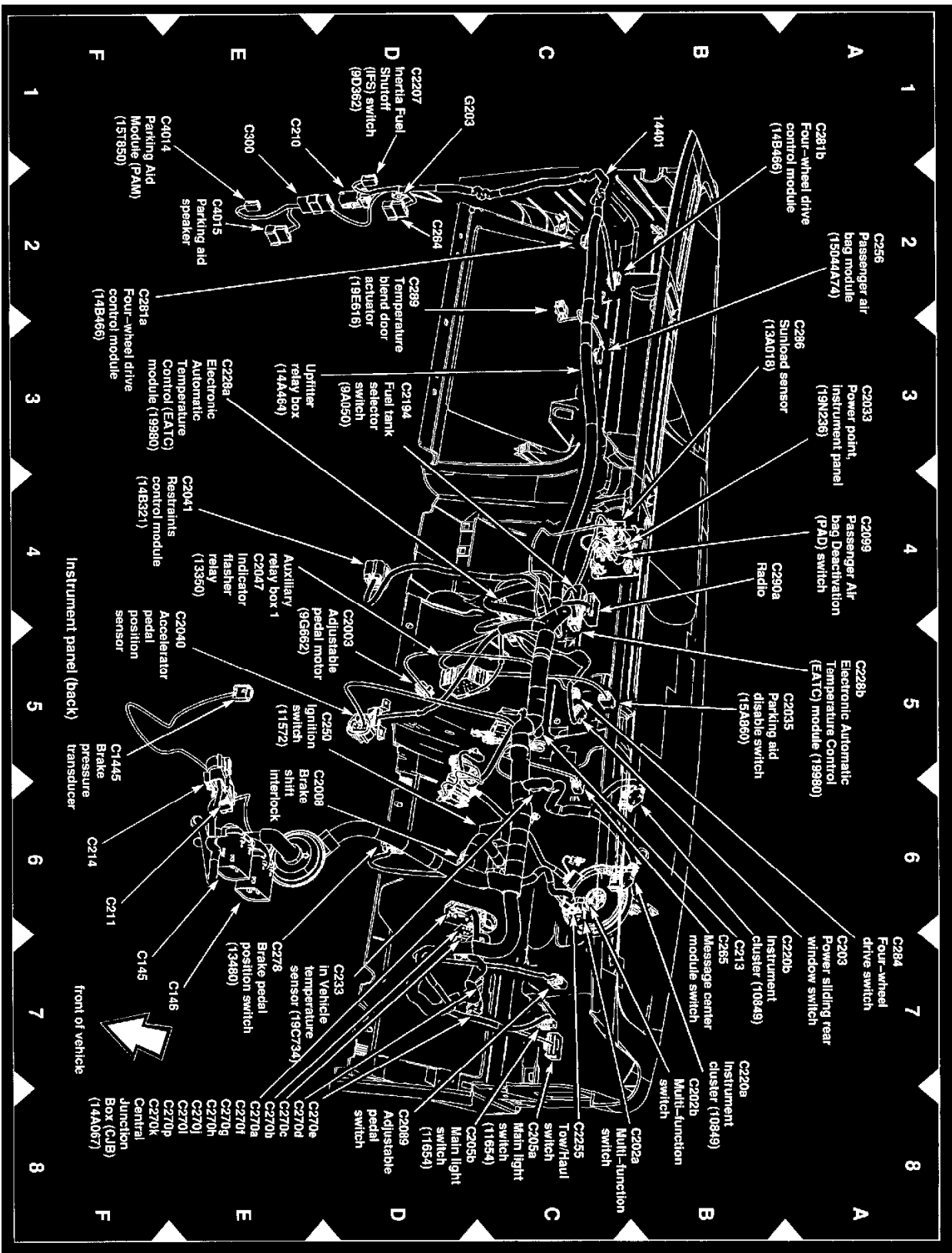
View 151-11 (Engine, Rear)



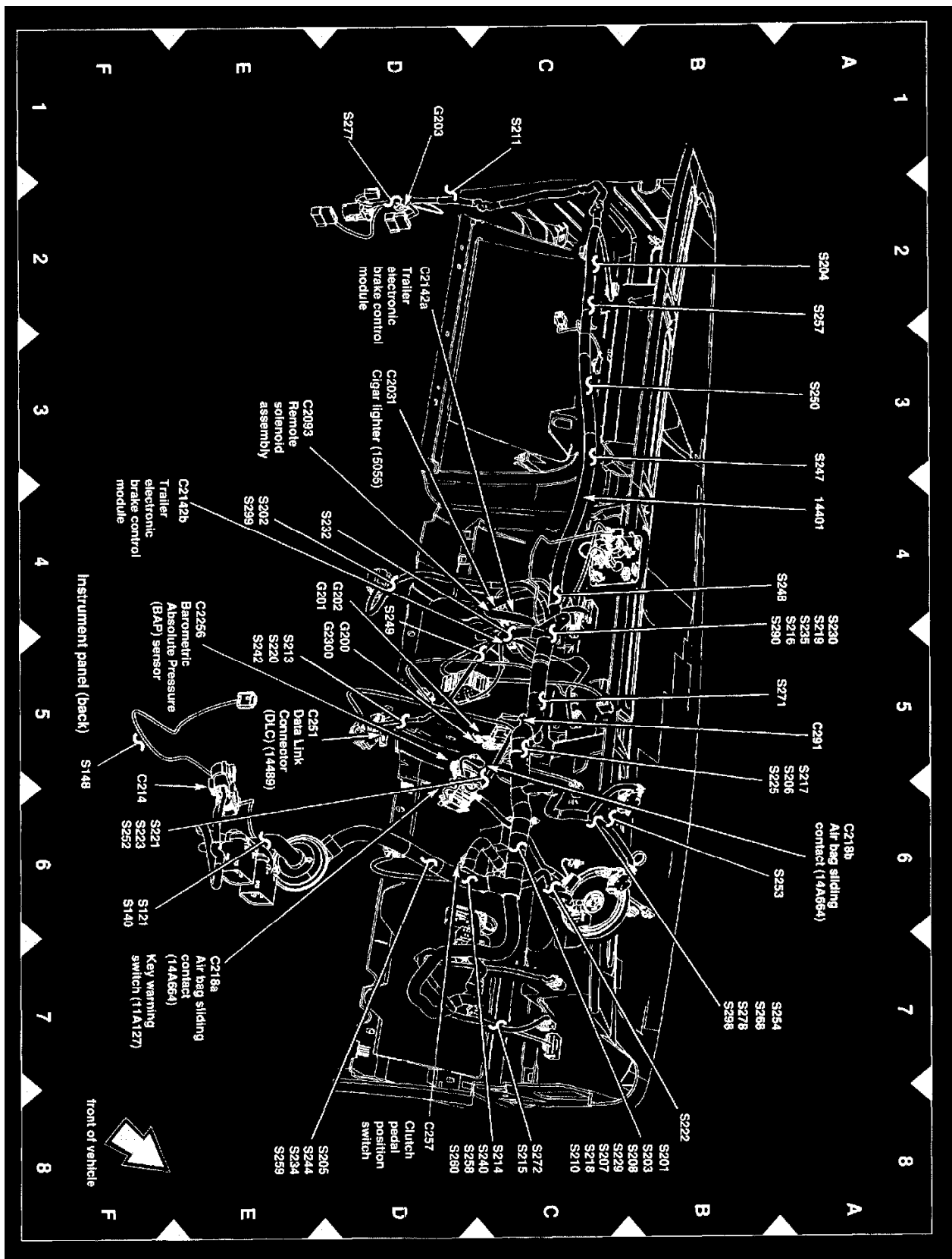
View 151-14 (Transmission/Transfer Case)



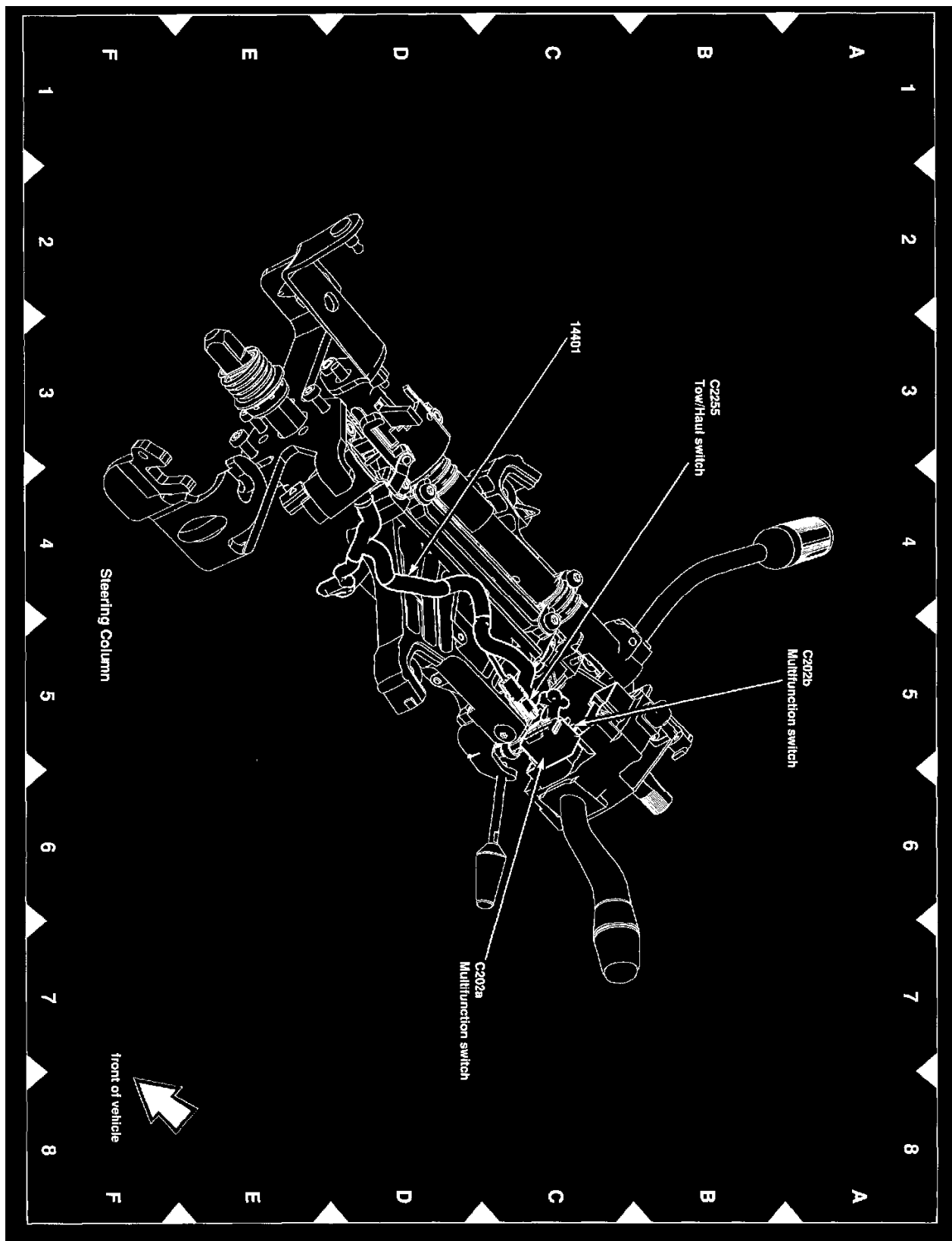
View 151-15 (Dash Panel - Front)



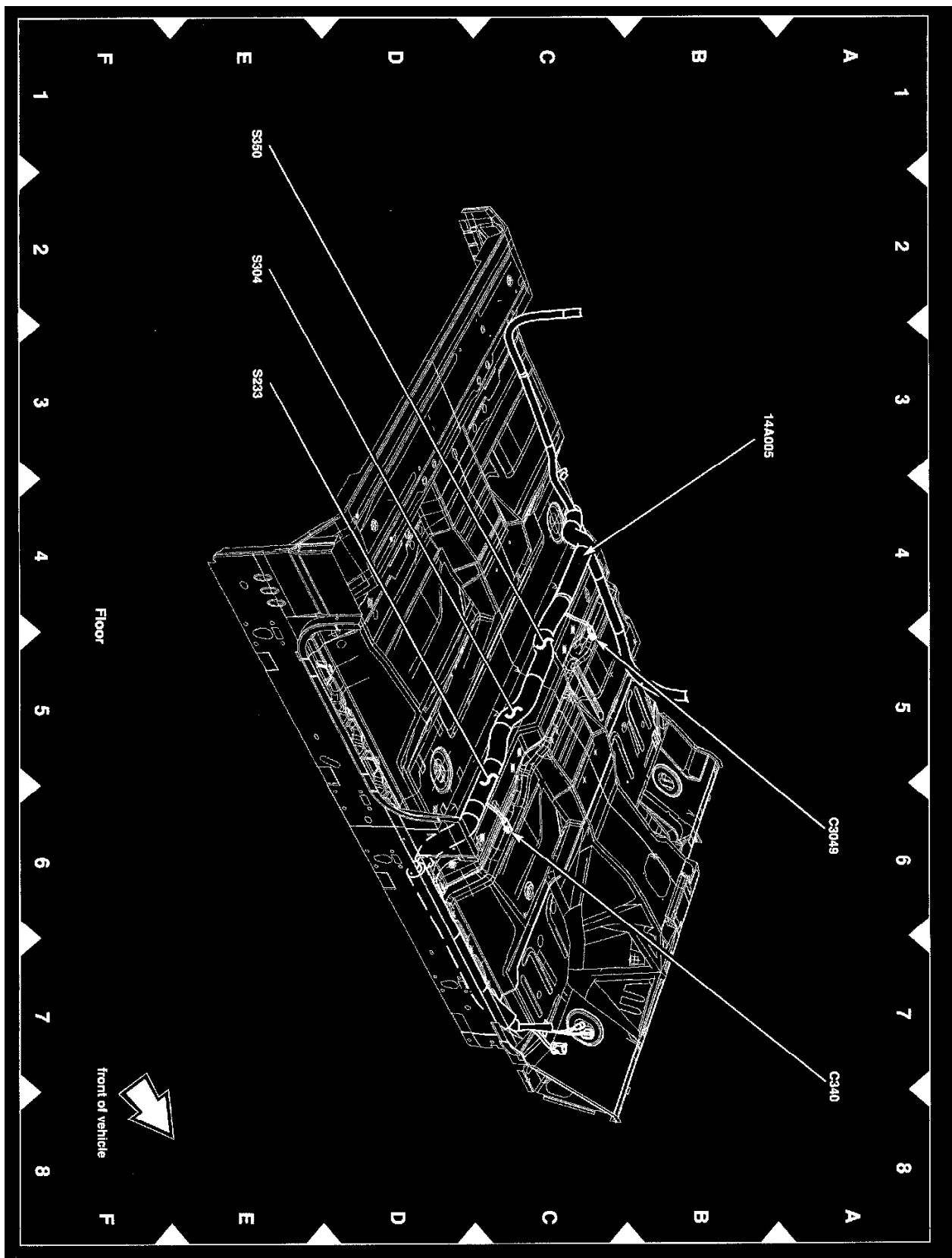
View 151-16 (Instrument Panel (Back))



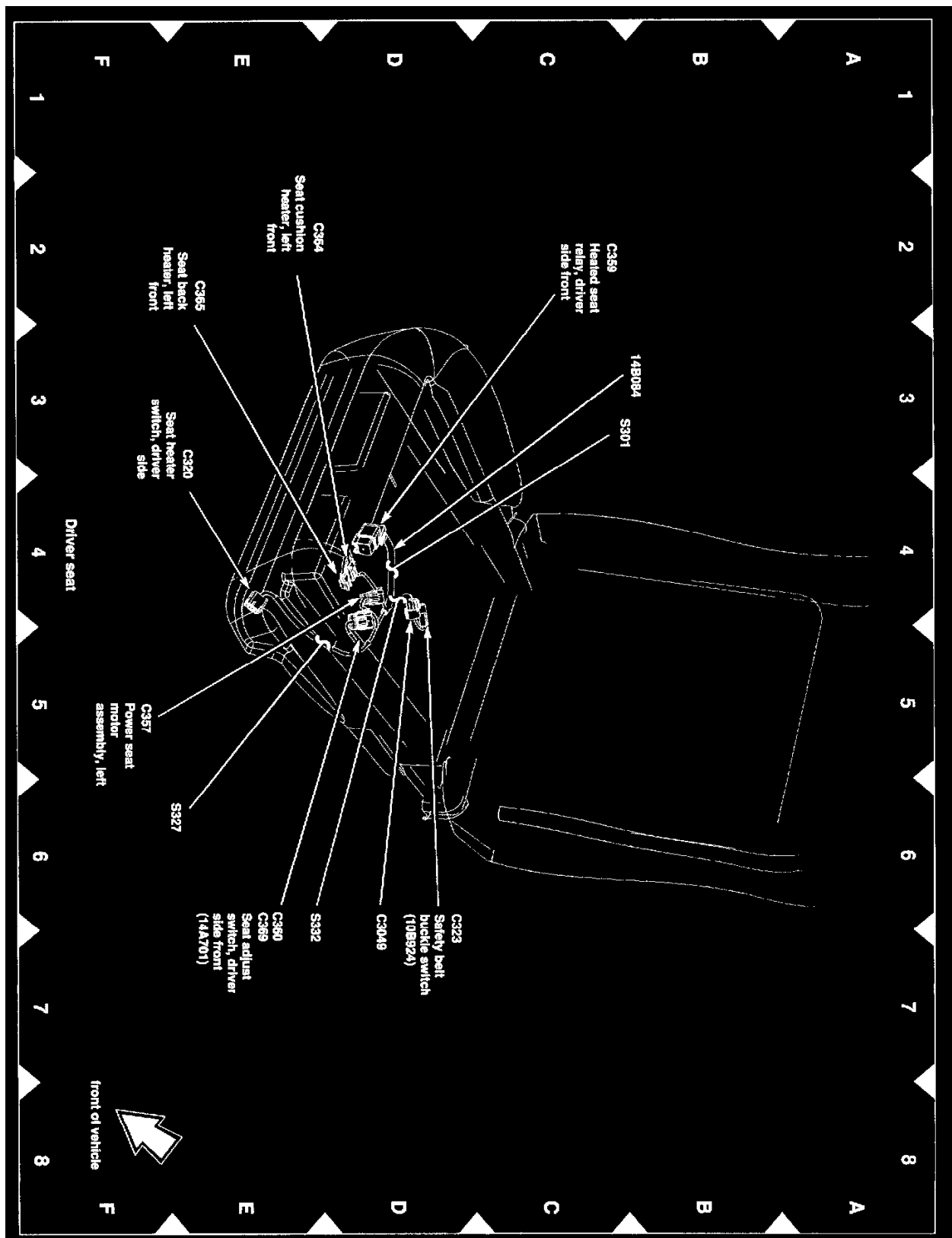
View 151-17 (Instrument Panel (Back))



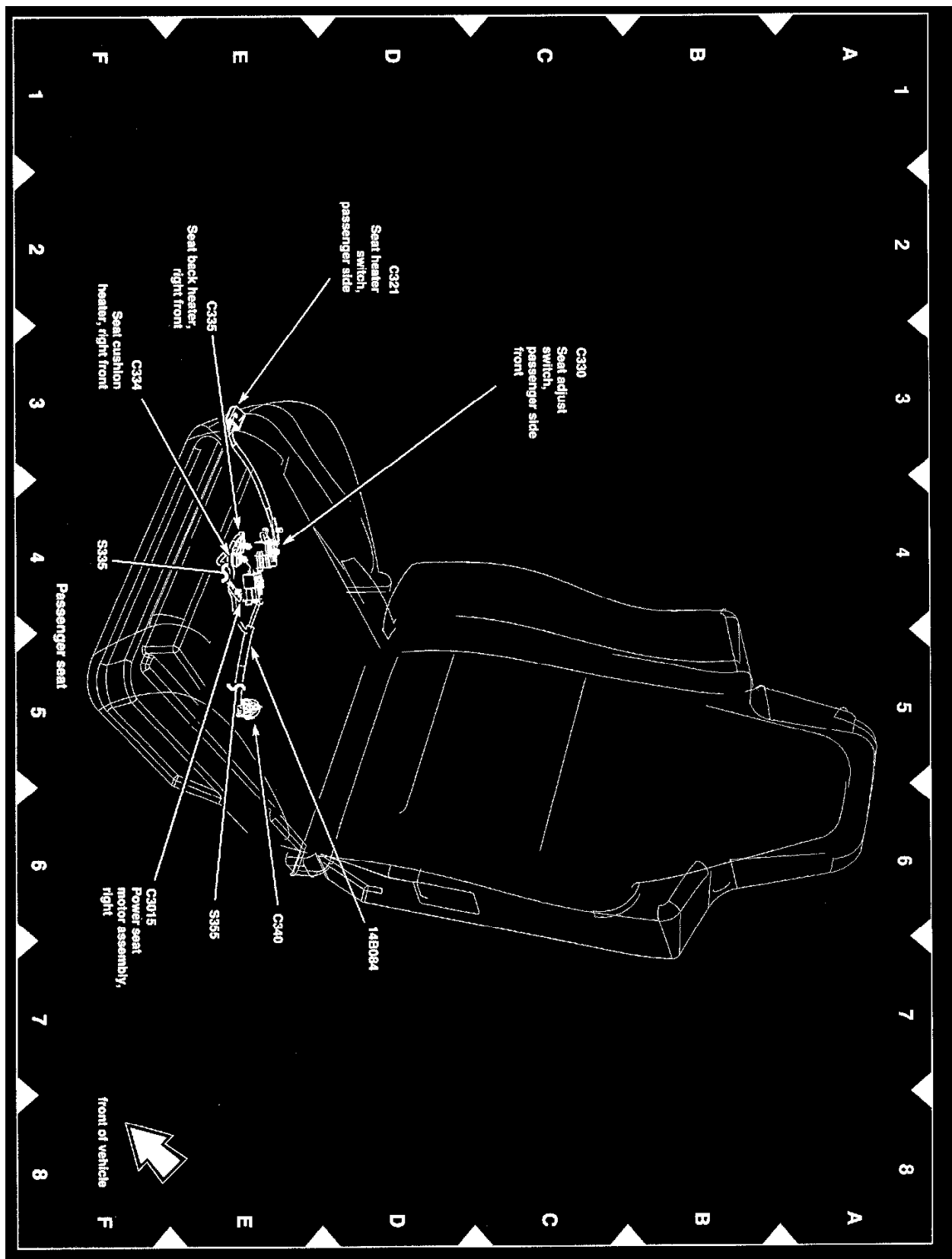
View 151-18 (Steering Column)



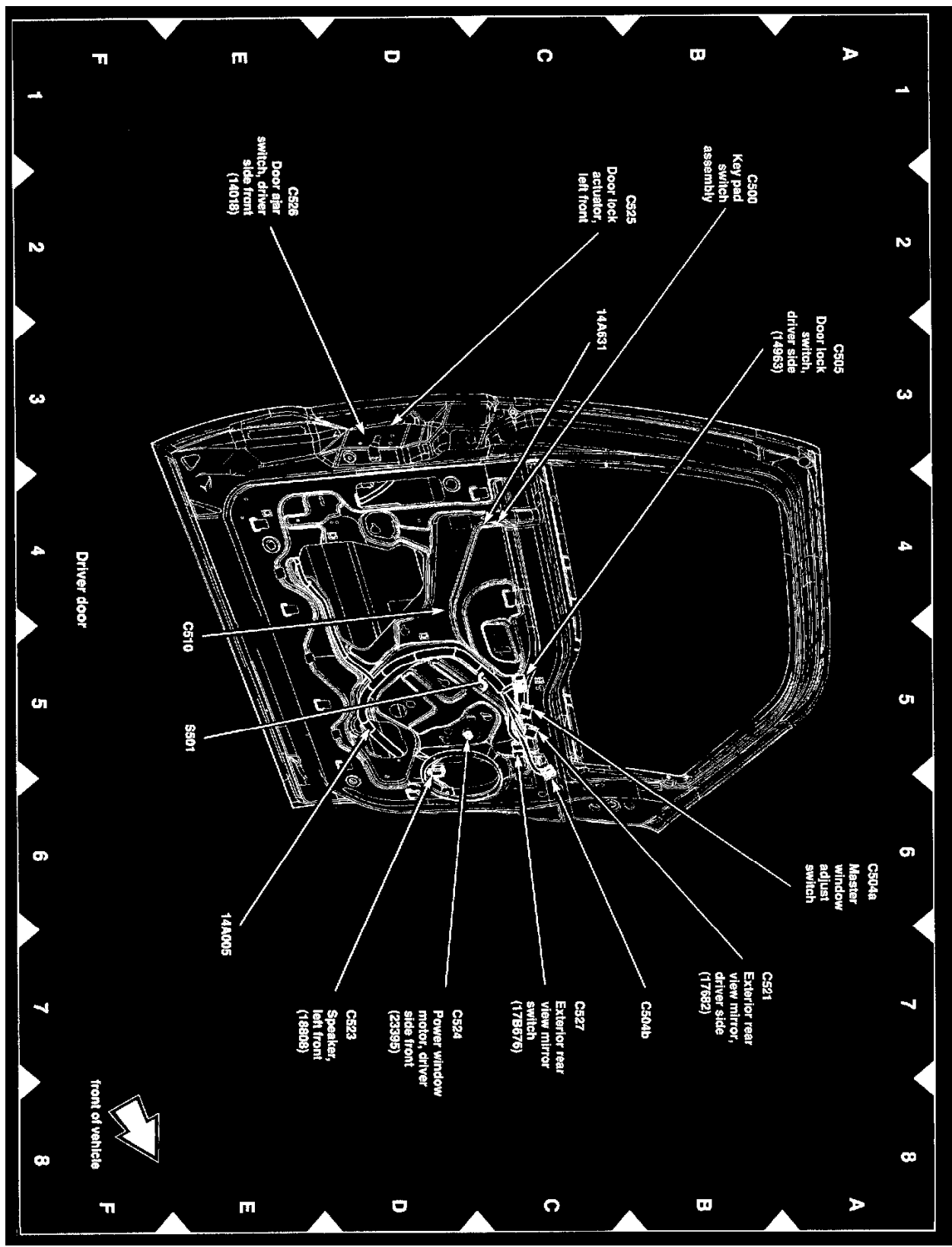
View 151-19 (Floor)



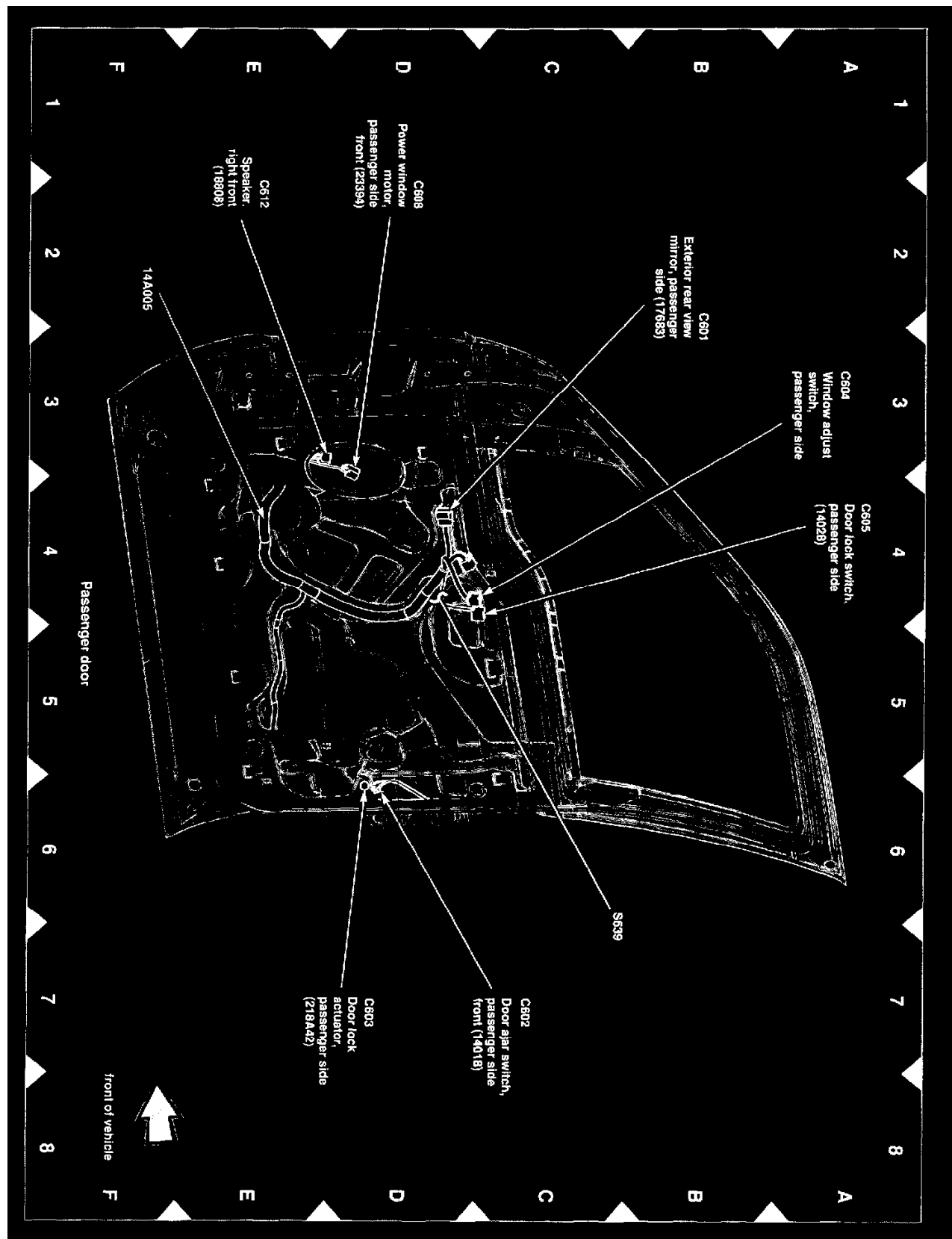
View 151-20 (Driver Seat)



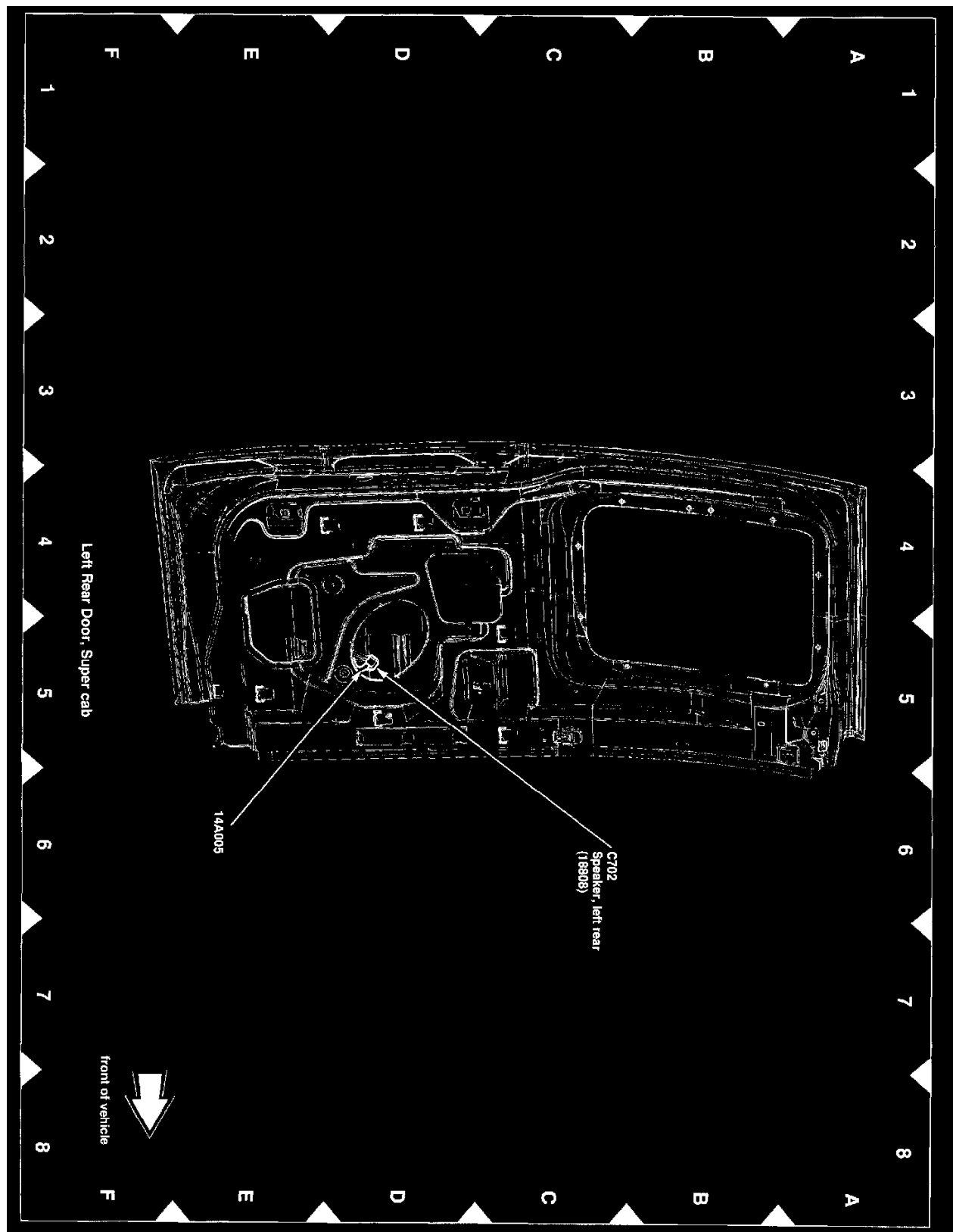
View 151-21 (Passenger Seat)



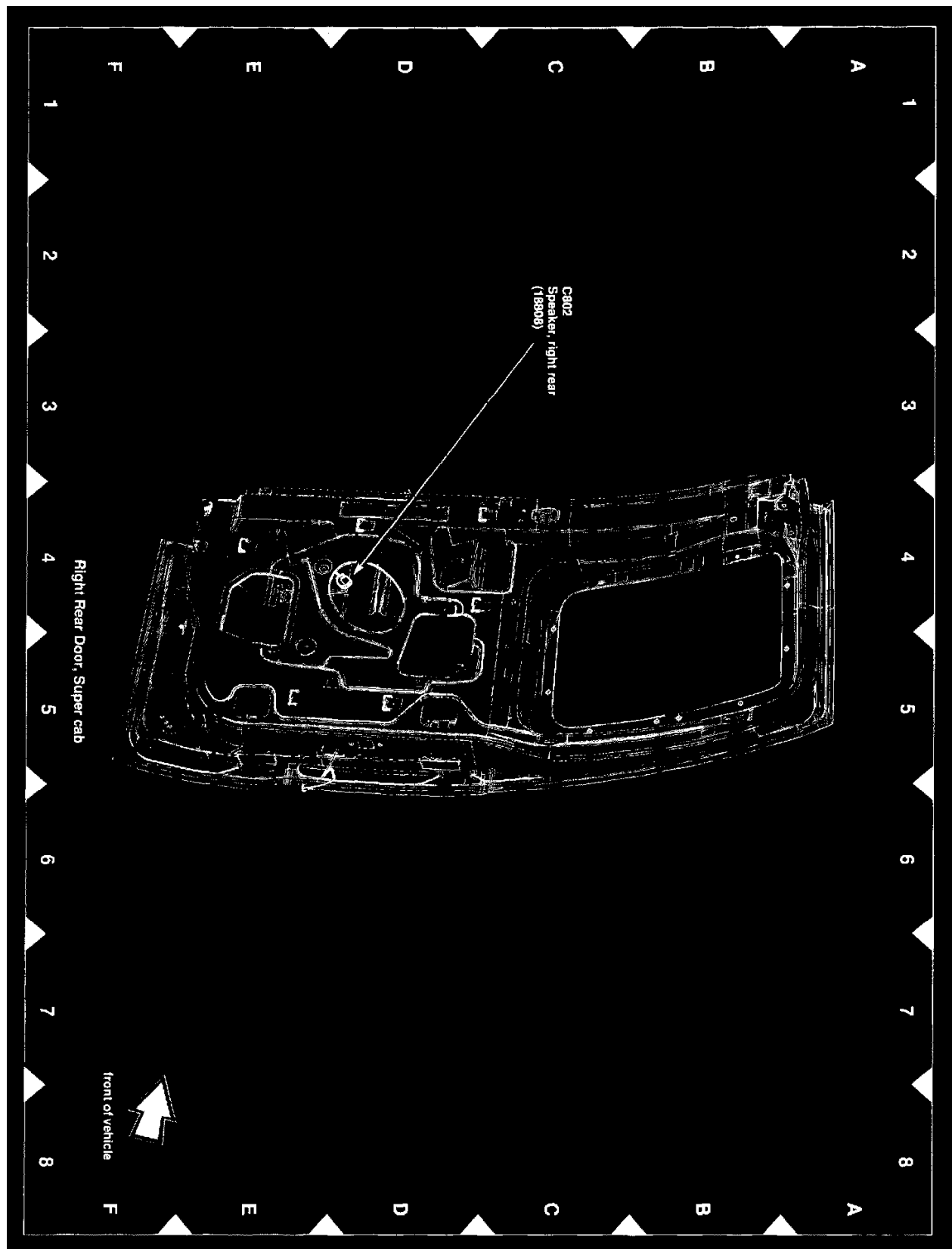
View 151-22 (Driver Door)



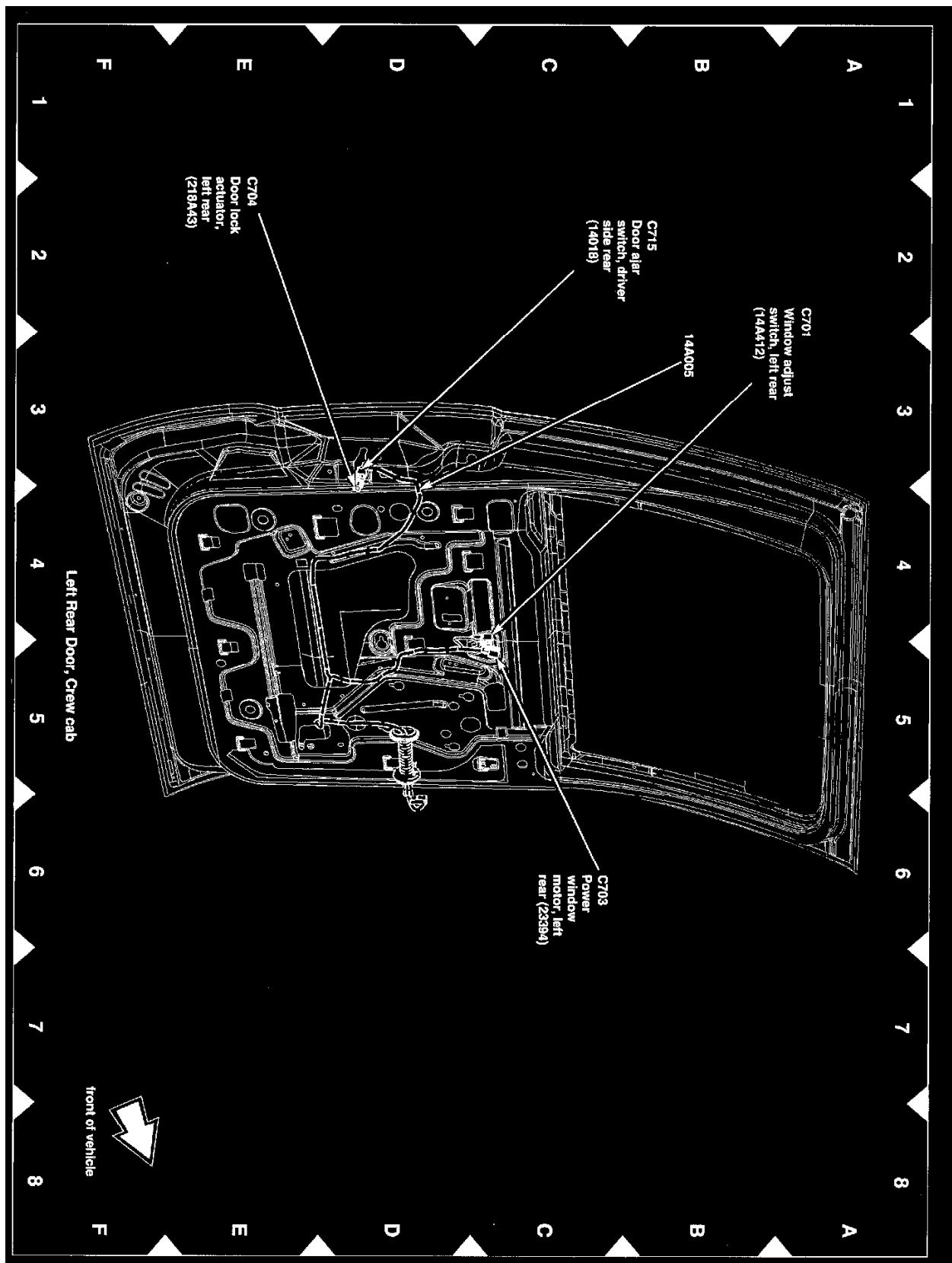
View 151-23 (Passenger Door)



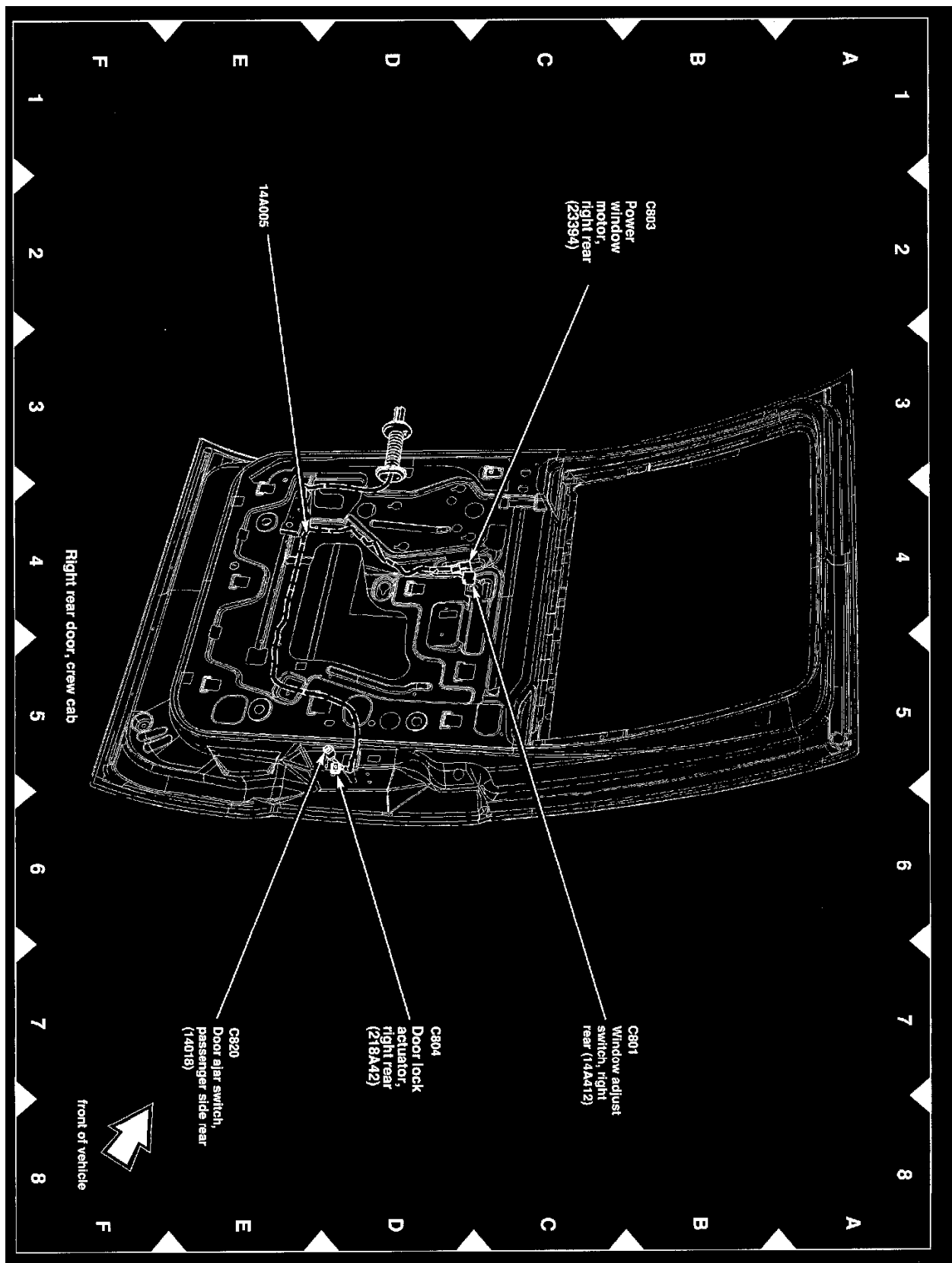
View 151-24 (Left Rear Door, Super Cab)



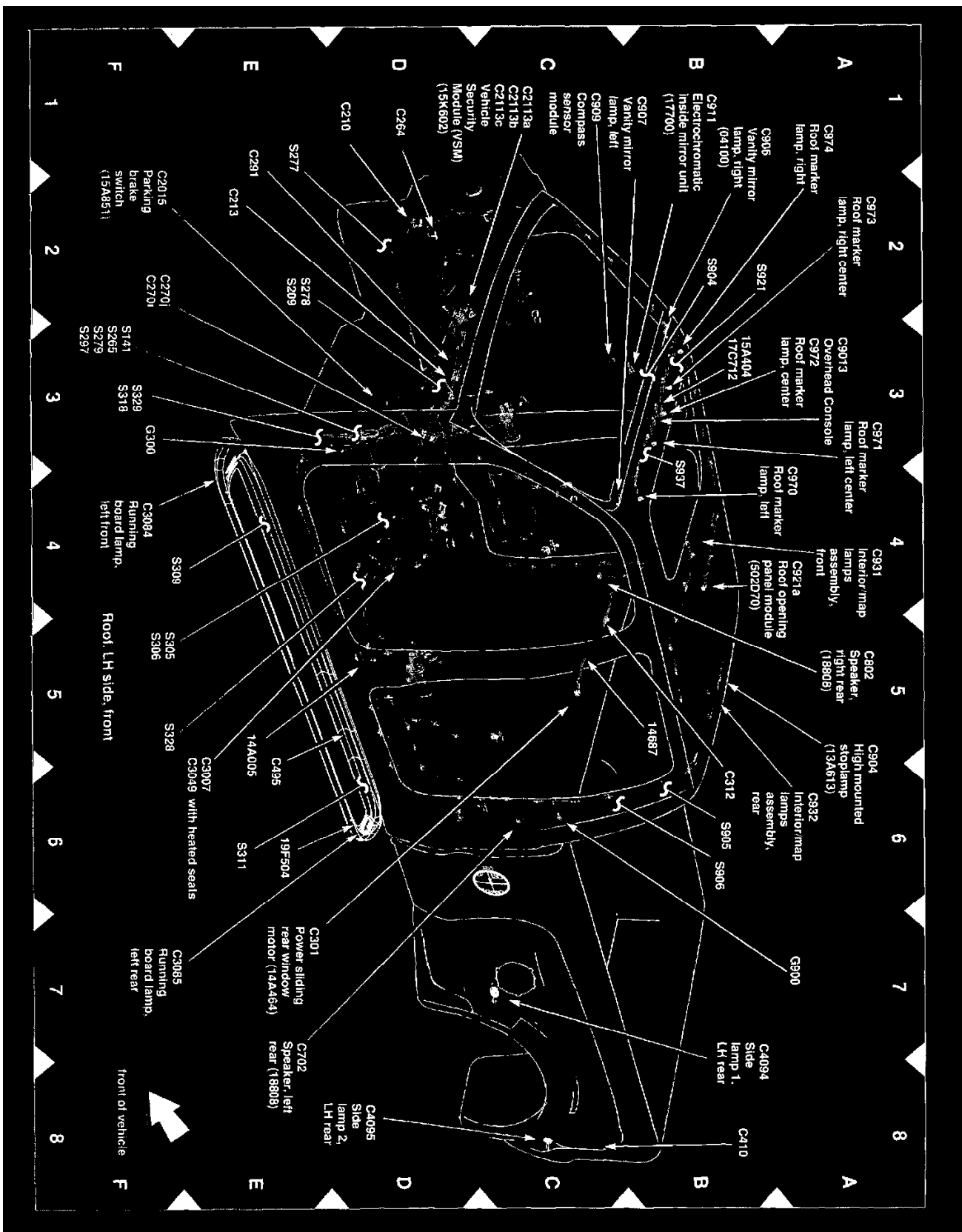
View 151-25 (Right Rear Door, Super Cab)



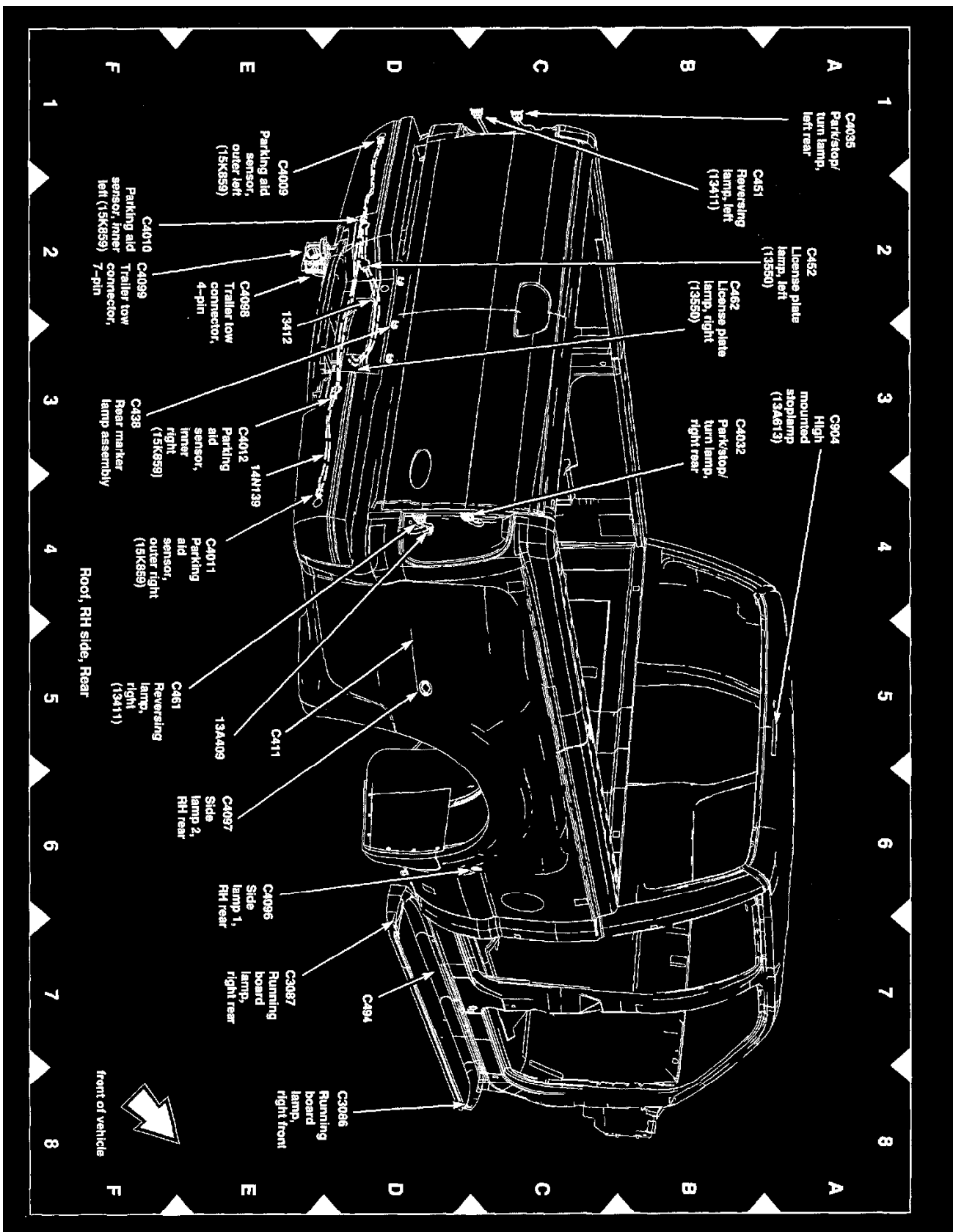
View 151-26 (Left Rear Door, Crew Cab)



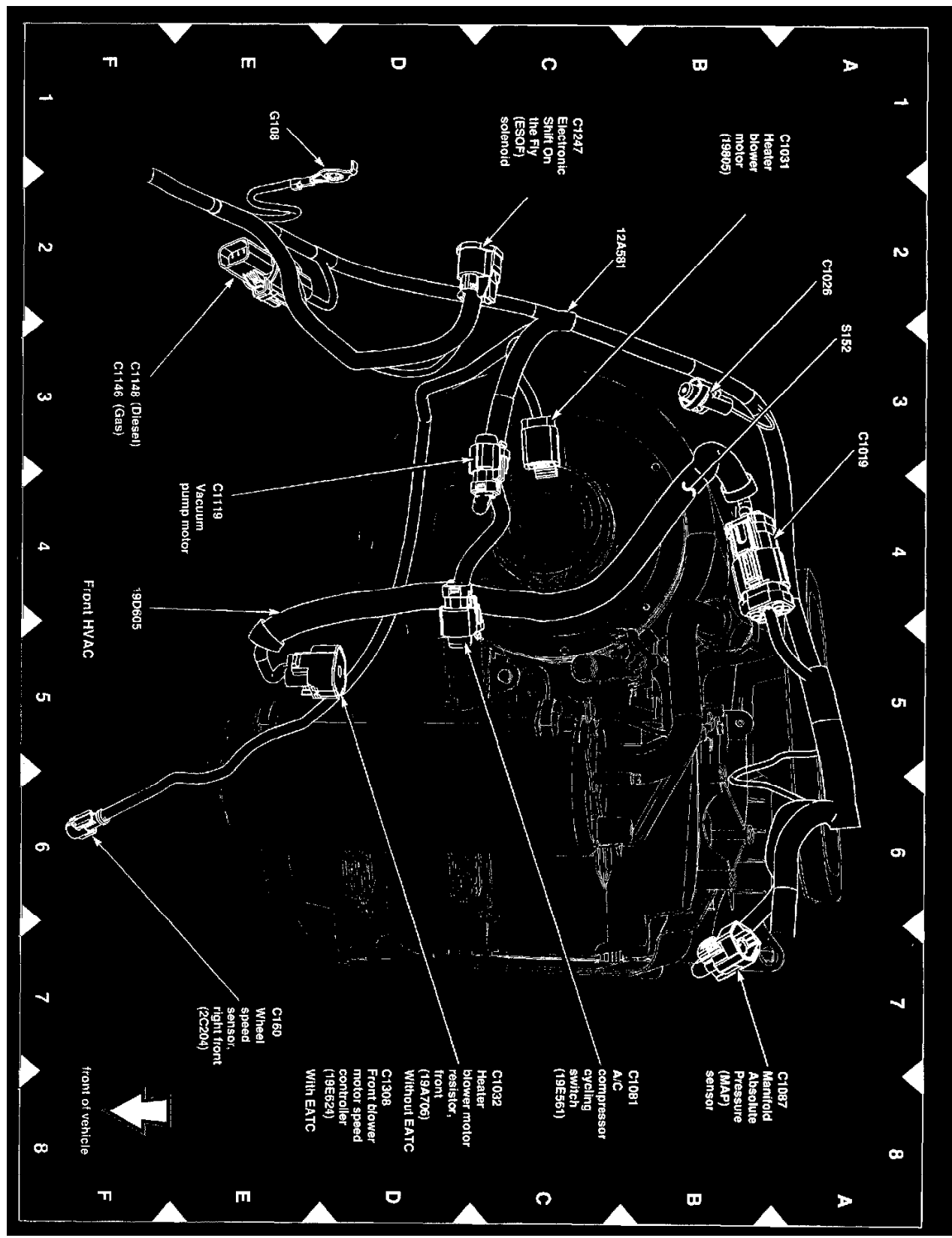
View 151-27 (Right Rear Door, Crew Cab)



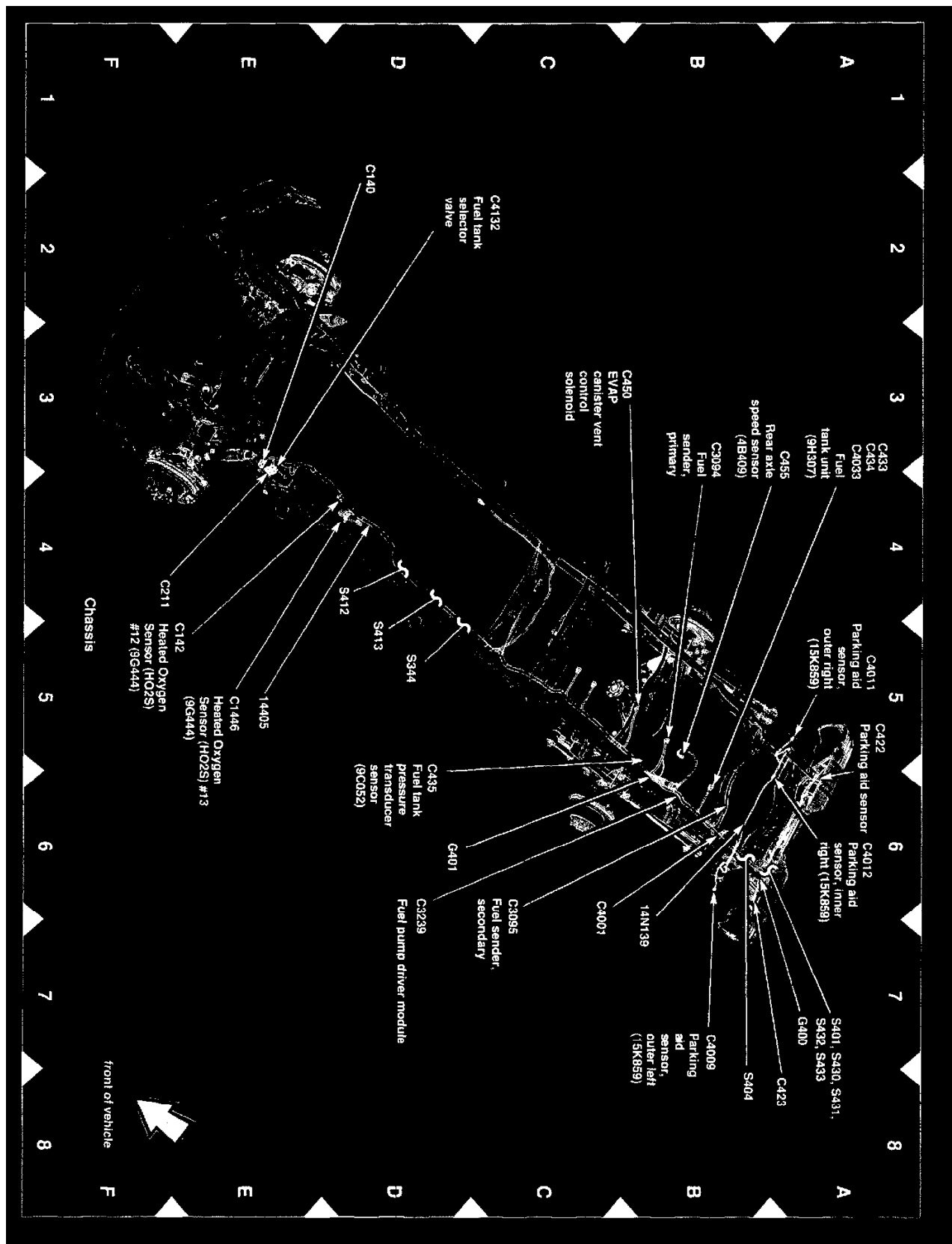
View 151-28 (Roof, LH Side, Front)



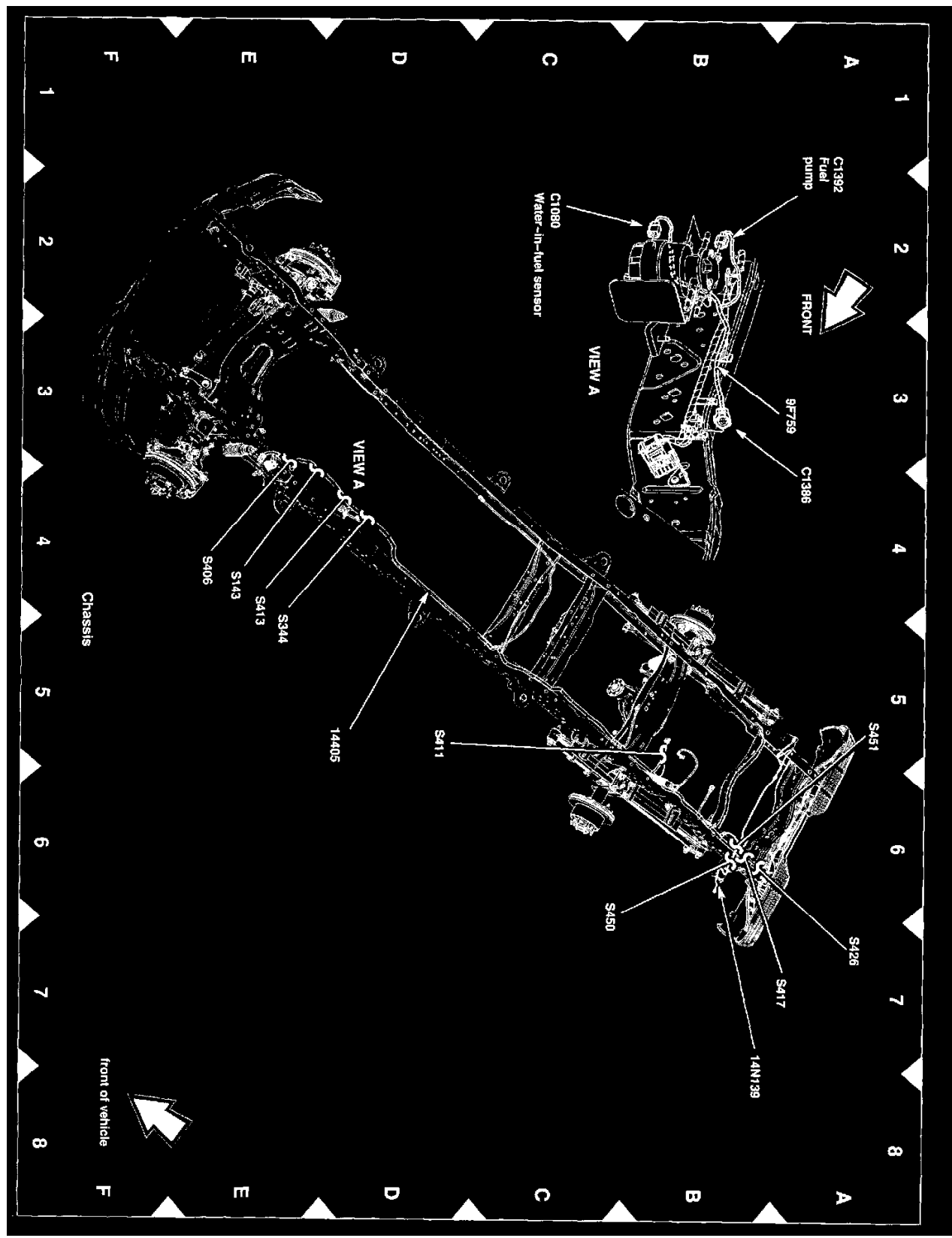
View 151-29 (Roof, RH Side, Rear)



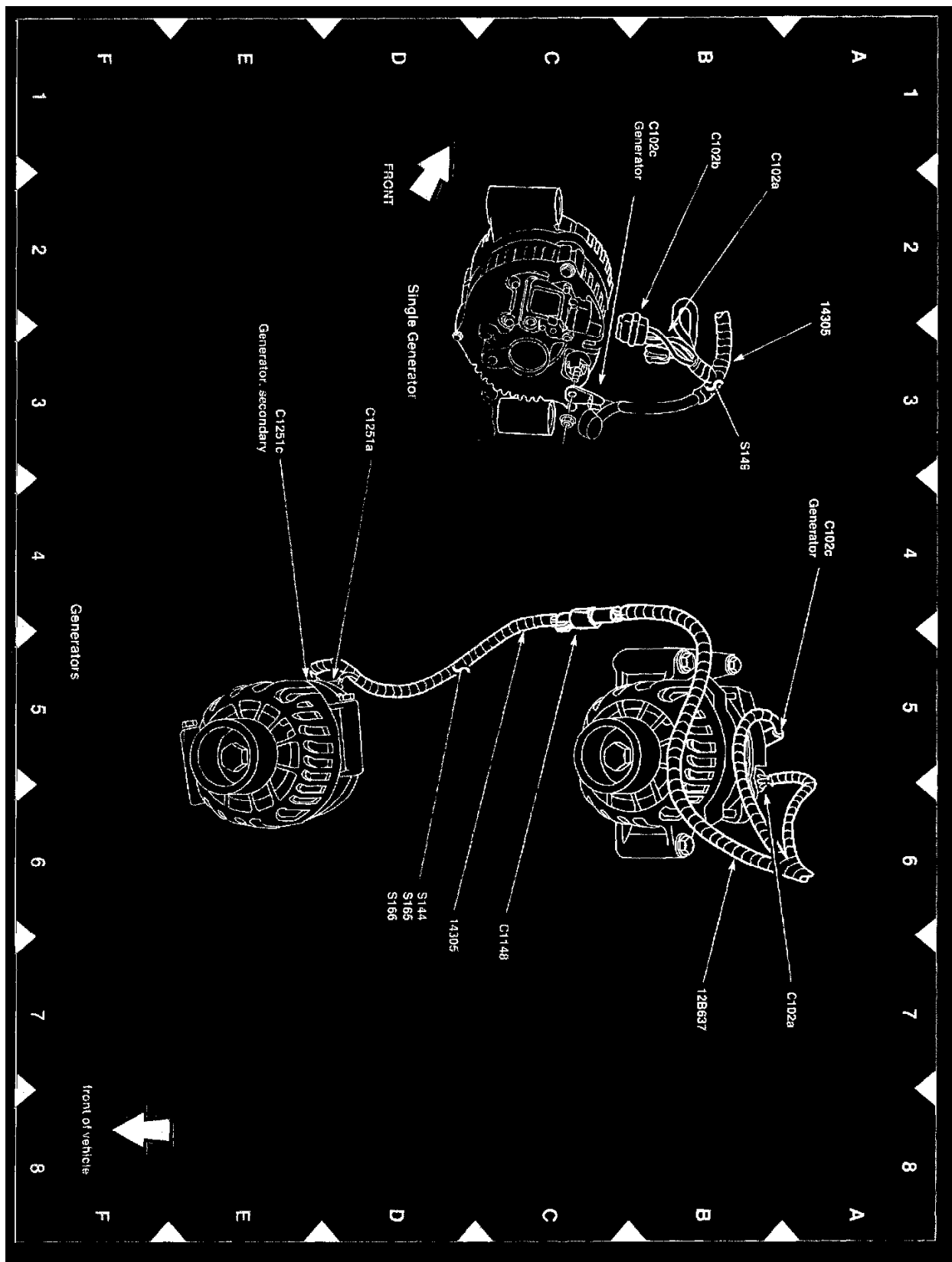
View 151-30 (Front HVAC)



View 151-31 (Chassis)



View 151-32 (Chassis)



View 151-33 (Generators)

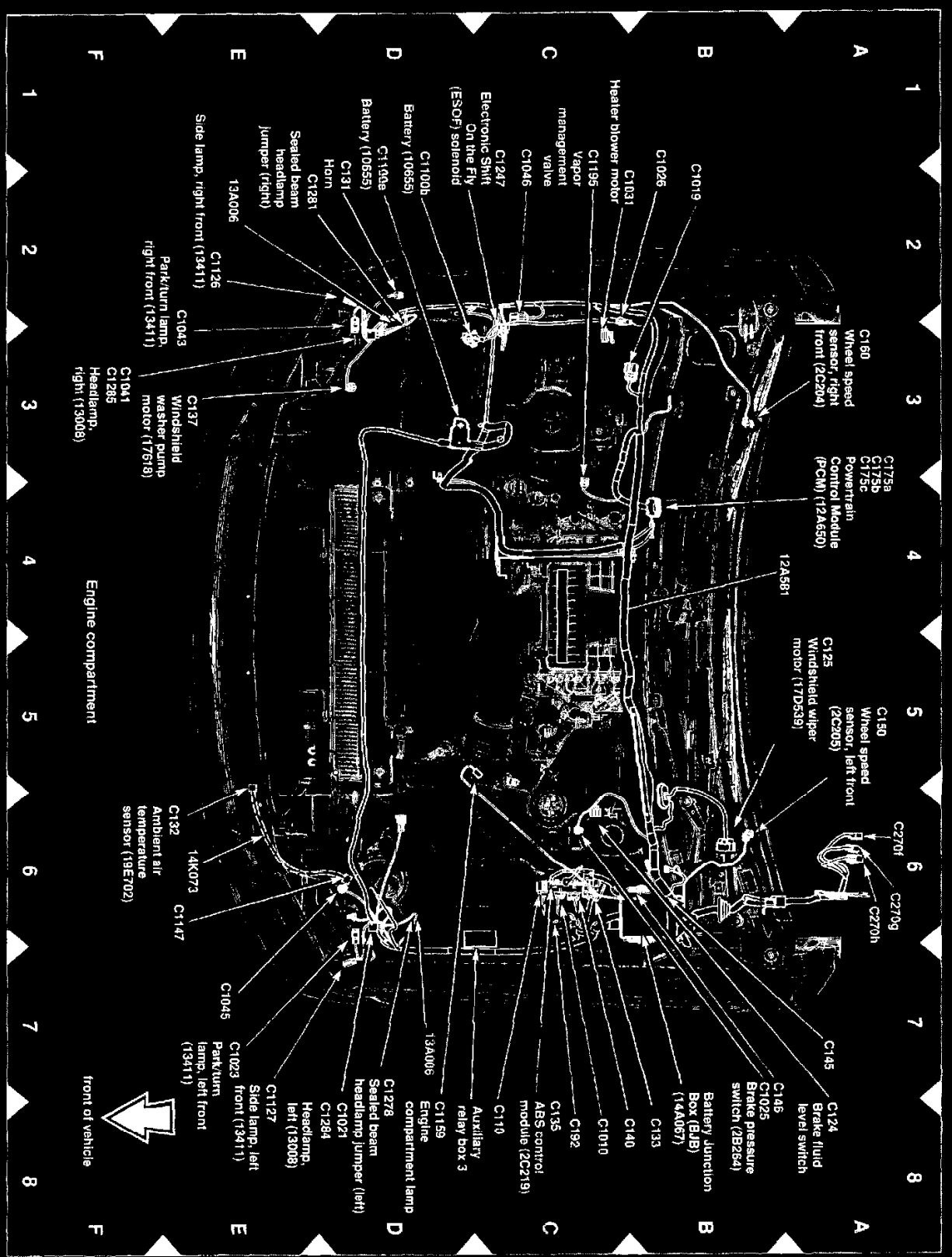
**Ground Location Index**

**PLEASE NOTE:** If a link on the Ground Location Index to a View is not provided, that means that the Ground and/or View in question does NOT apply to the vehicle model selected.

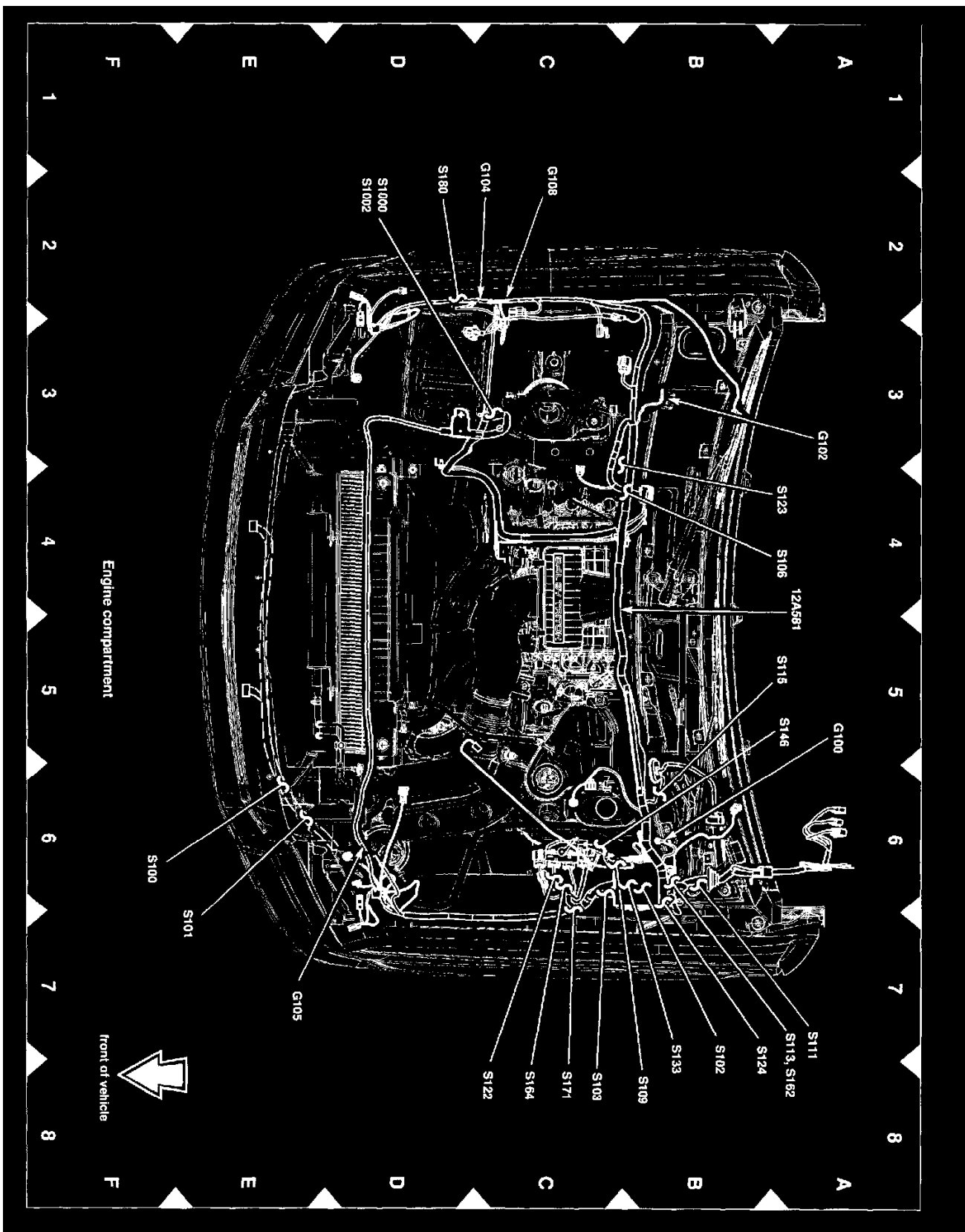
**Ground points****View 151-\*/coordinates**

	<b>Location</b>	<b>View 151-*/coordinates</b>
G100	Engine compartment, rear, LH side - Diesel	4 - A6
G100	Engine compartment, rear, LH side	2 - A5
G101	Engine compartment, LH side - Diesel	4 - D7
G102	Engine compartment, RH side, rear	2 - A3
G102	Engine, front, RH side - Diesel	4 - F4
G104	Engine compartment, right fender	2 - C2
G104	Engine compartment, right fender - Diesel	4 - C2
G105	Engine compartment, front, LH side	2 - E7
G105	Engine compartment, front, LH side - Diesel	4 - F6
G106	Engine compartment, RH side, on frame rail - Diesel	4 - F3
G108	Engine compartment, RH side	30 - E1
G108	Engine compartment, RH side	2 - C2
G108	Engine compartment, RH side - Diesel	4 - C2
G109	Engine, LH side - Diesel	4 - F6
G110	Engine, top, rear - 6.0L Diesel	13 - C1
G200	behind dash panel, LH side	17 - E5
G201	behind dash panel, LH side	17 - E4
G202	behind dash panel, LH side	17 - E4
G203	under dash panel, RH side	17 - D1
G300	under dash panel, LH side	28 - F3
G400	Vehicle underbody, rear, chassis side member, LH side	31 - A7
G401	Vehicle underbody, LH side	31 - D6
G900	LH C-Pillar	28 - A7
G2300	Behind dash panel, center	17 - D5

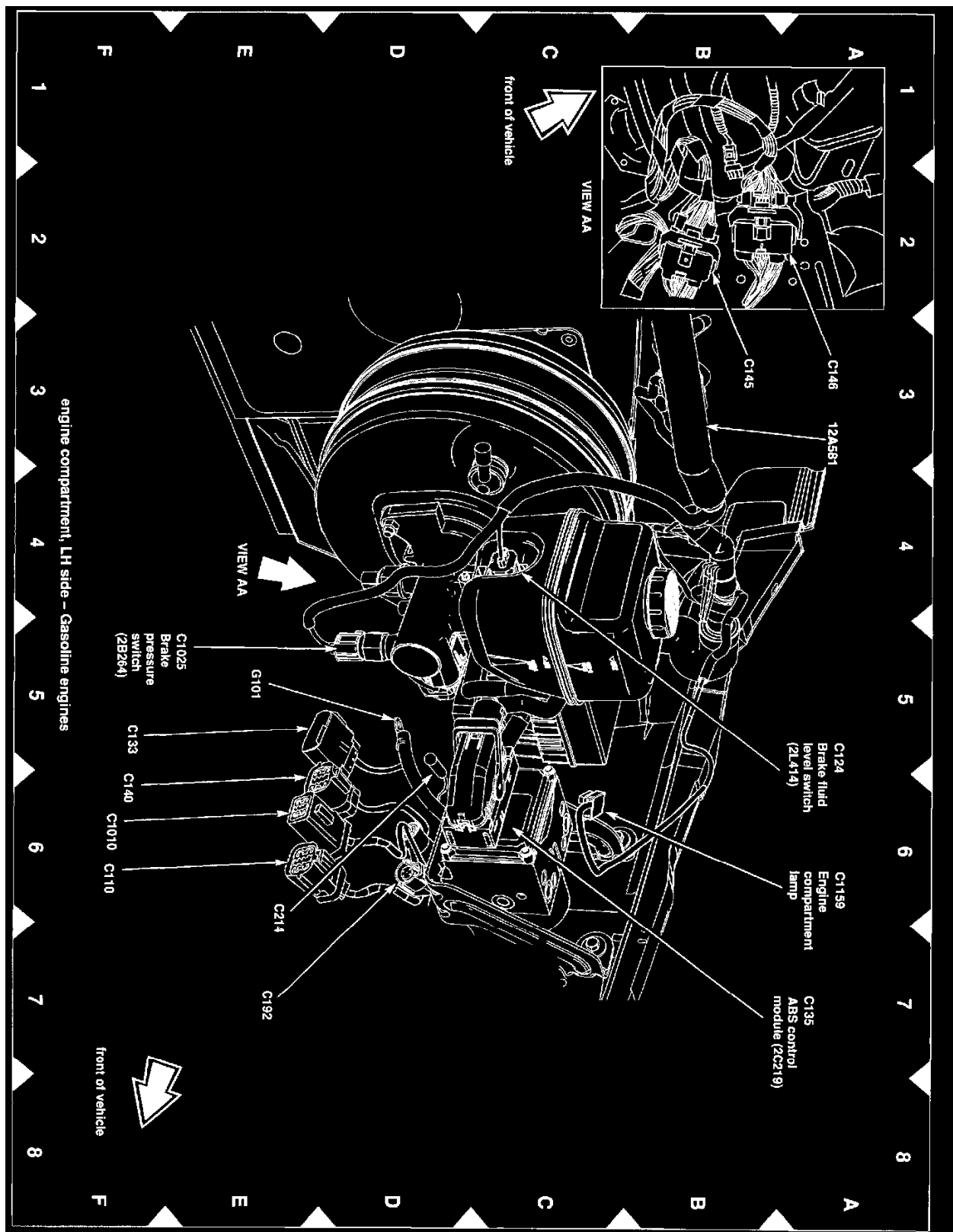
G100-G2300



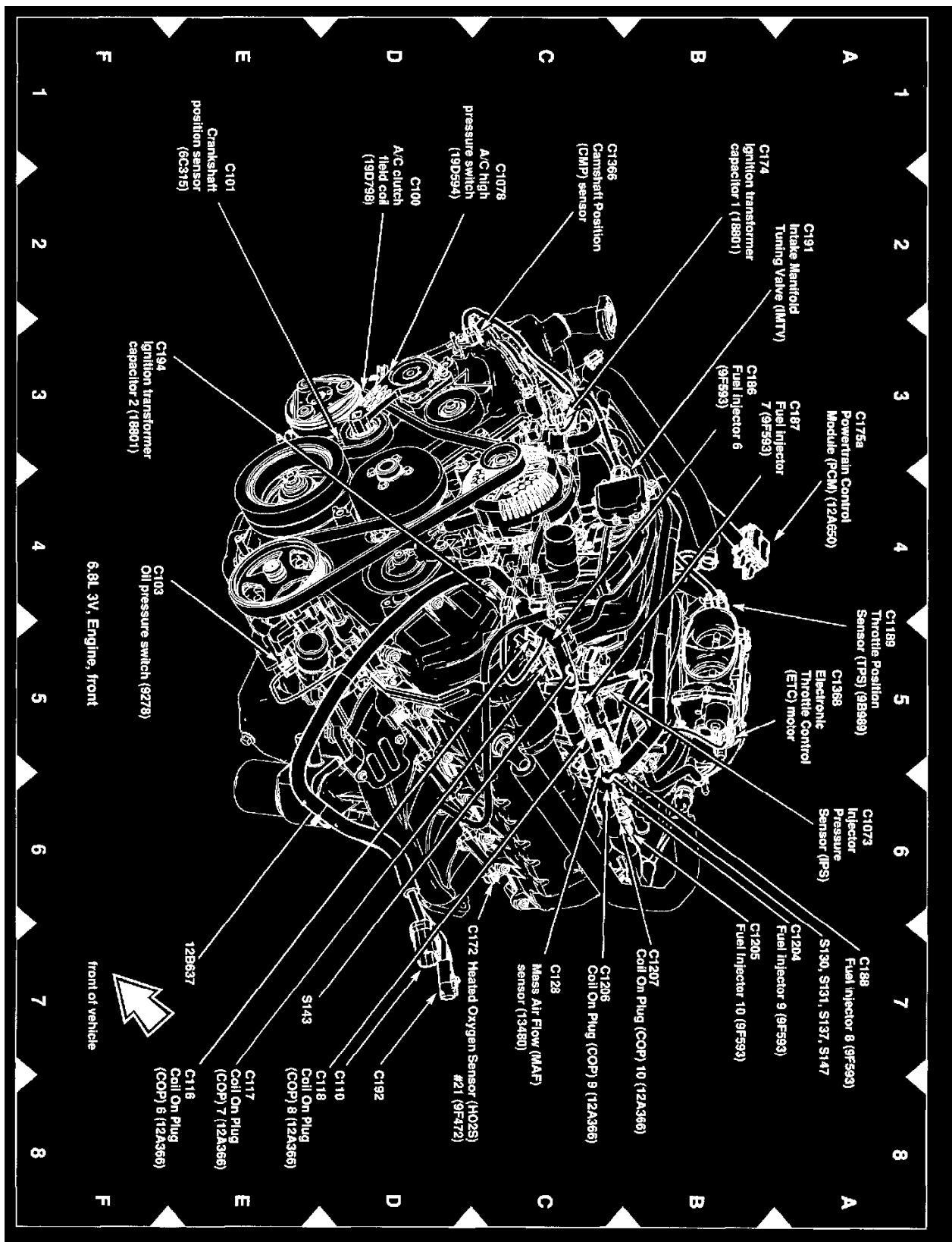
View 151-1 (Engine Compartment)



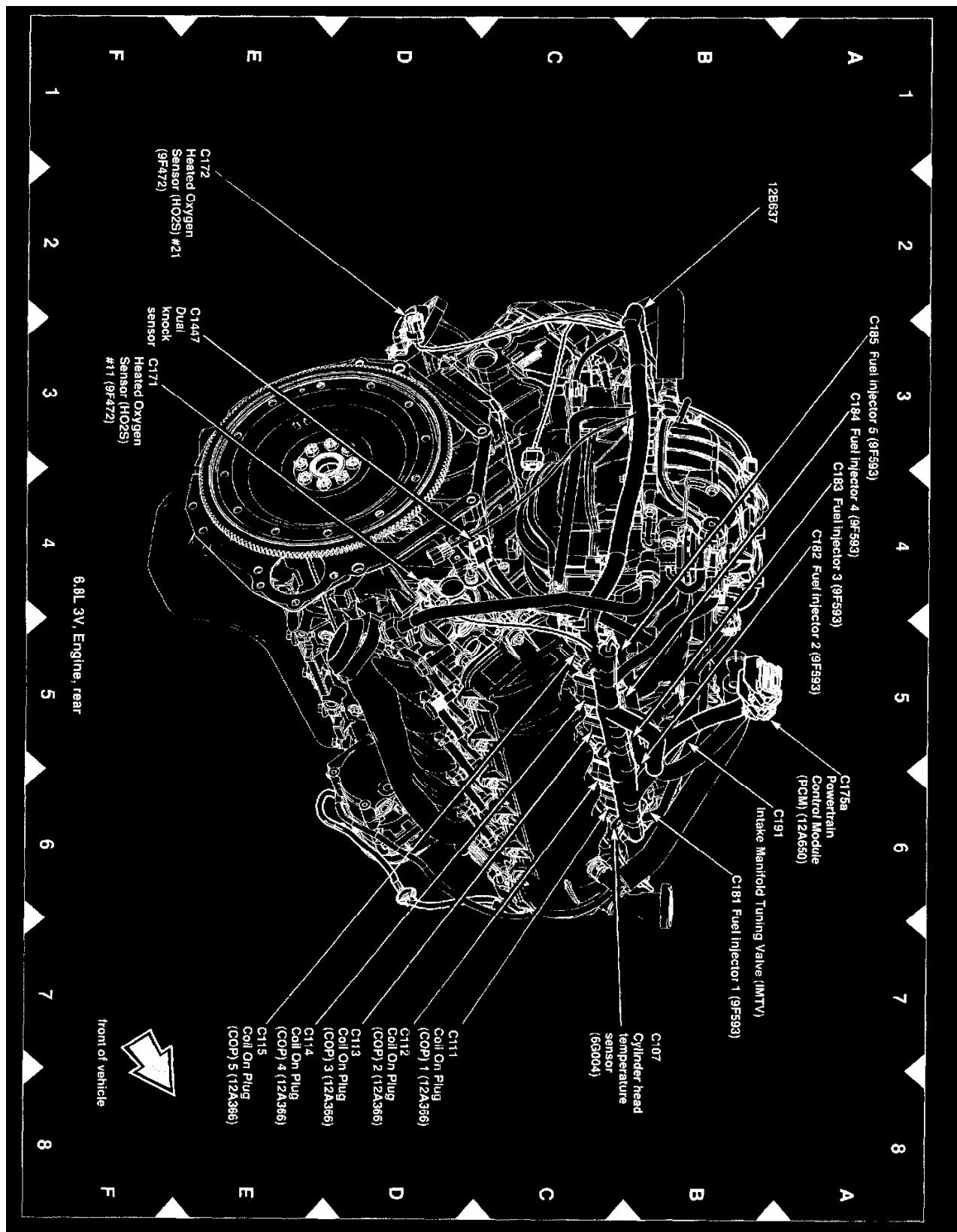
View 151-2 (Engine Compartment)



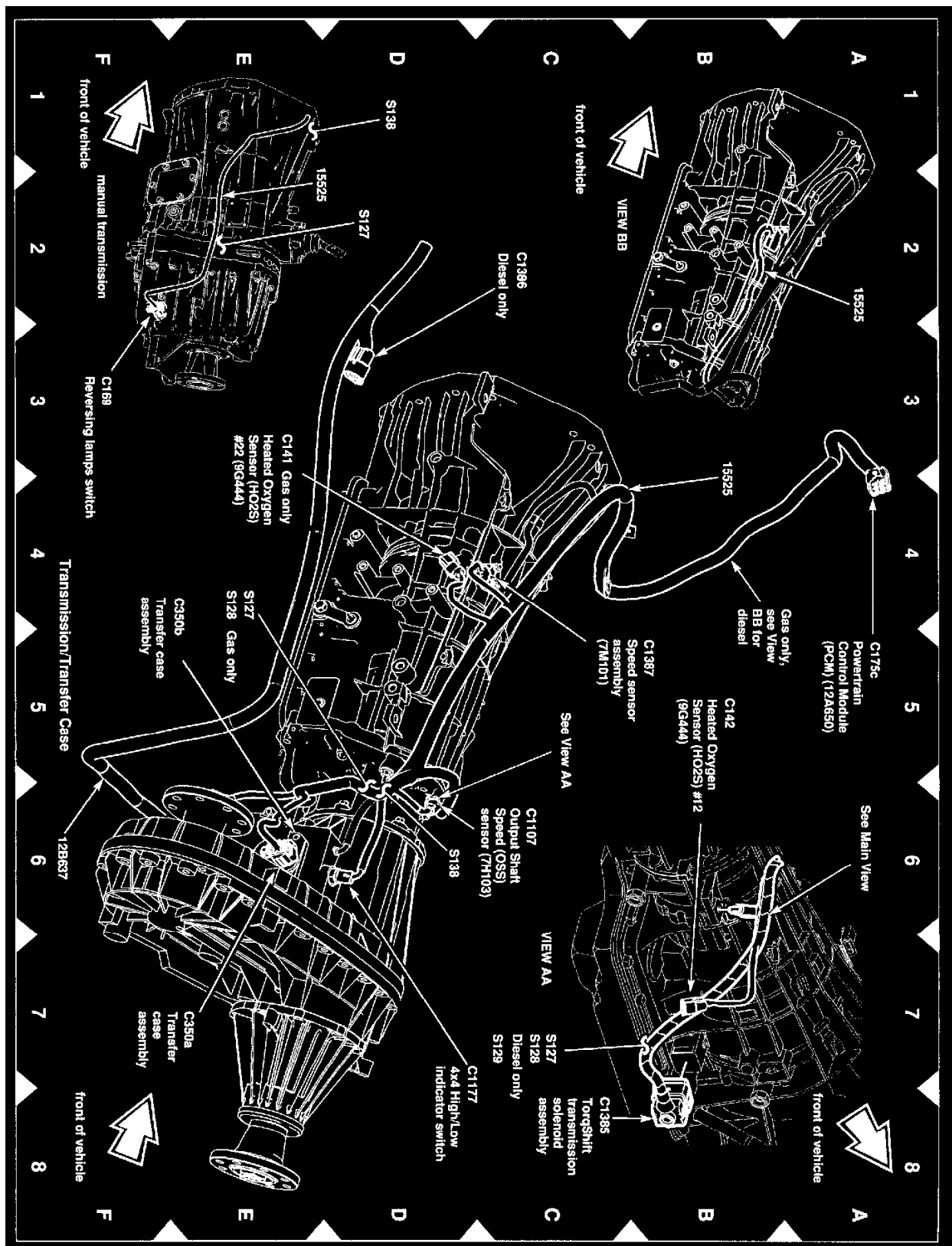
View 151-6 (Engine Compartment, LH Side)



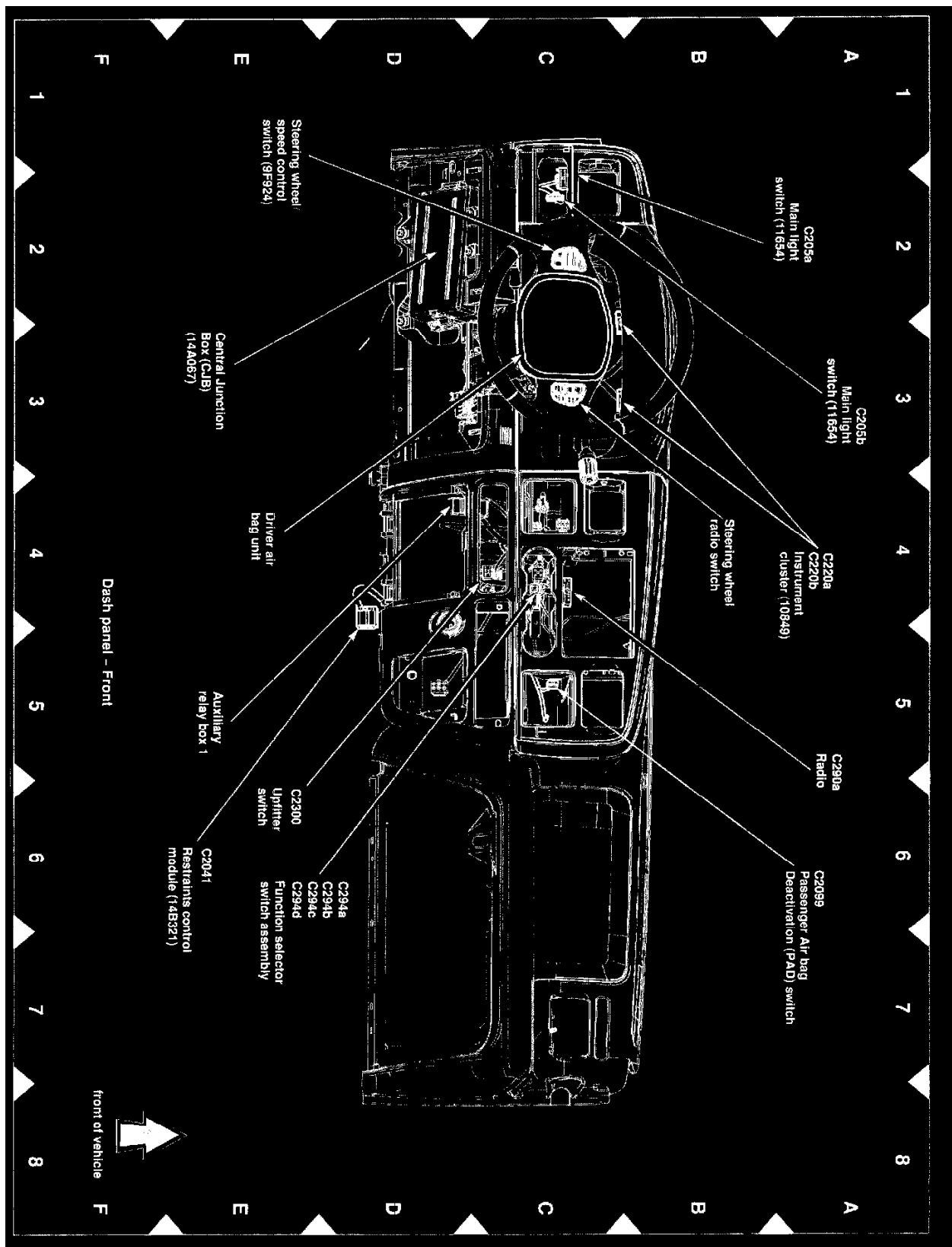
View 151-10 (Engine, Front)



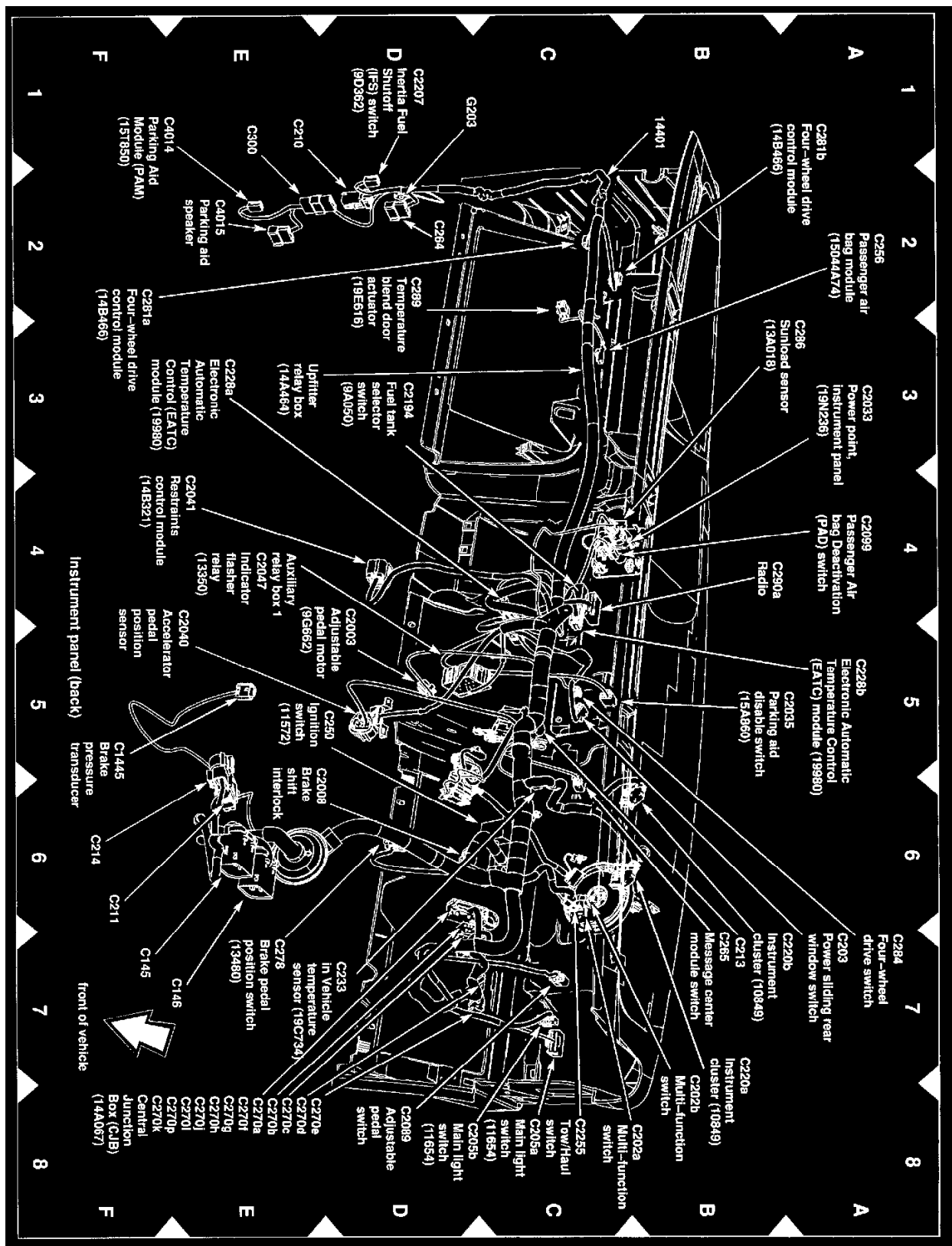
View 151-11 (Engine, Rear)



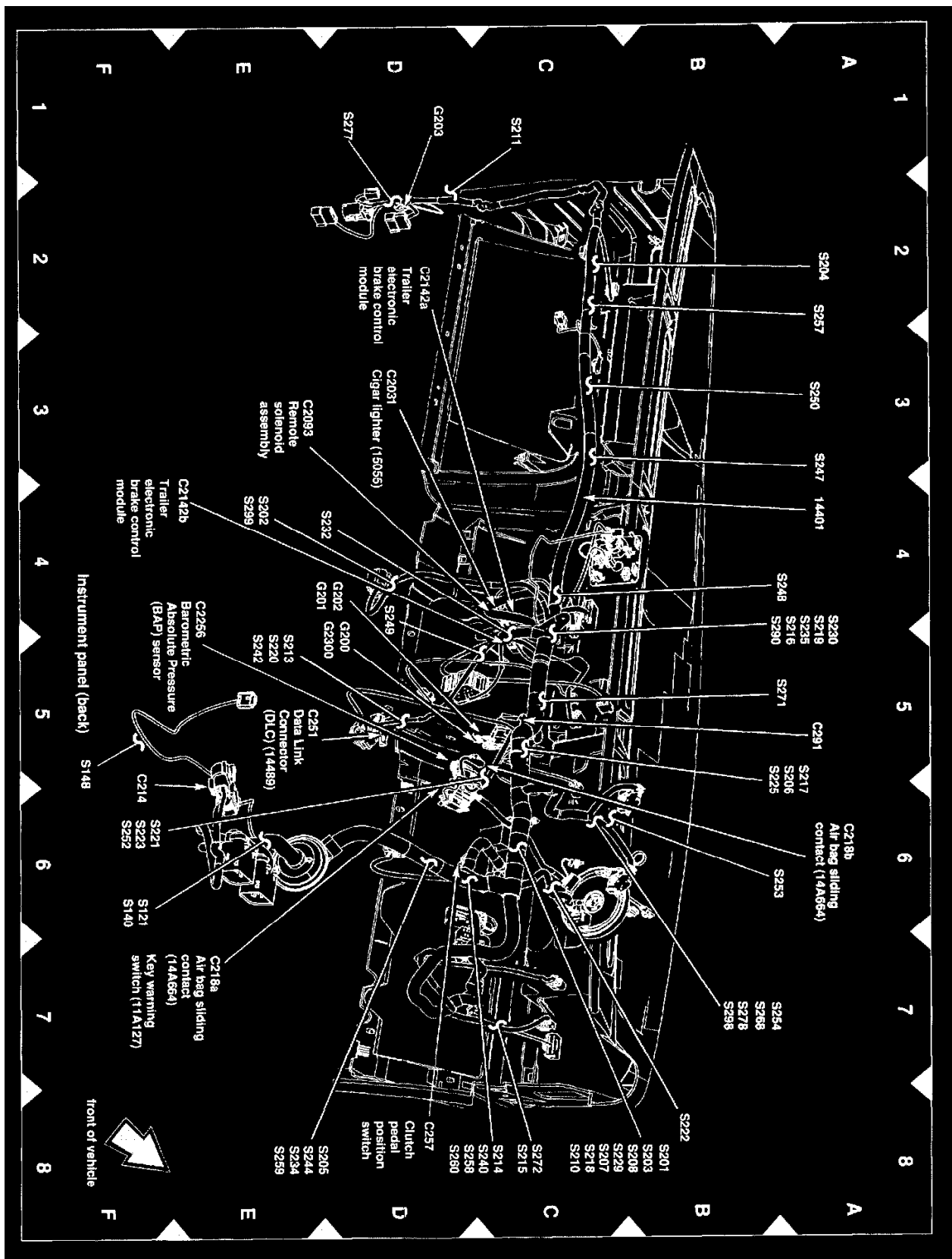
View 151-14 (Transmission/Transfer Case)



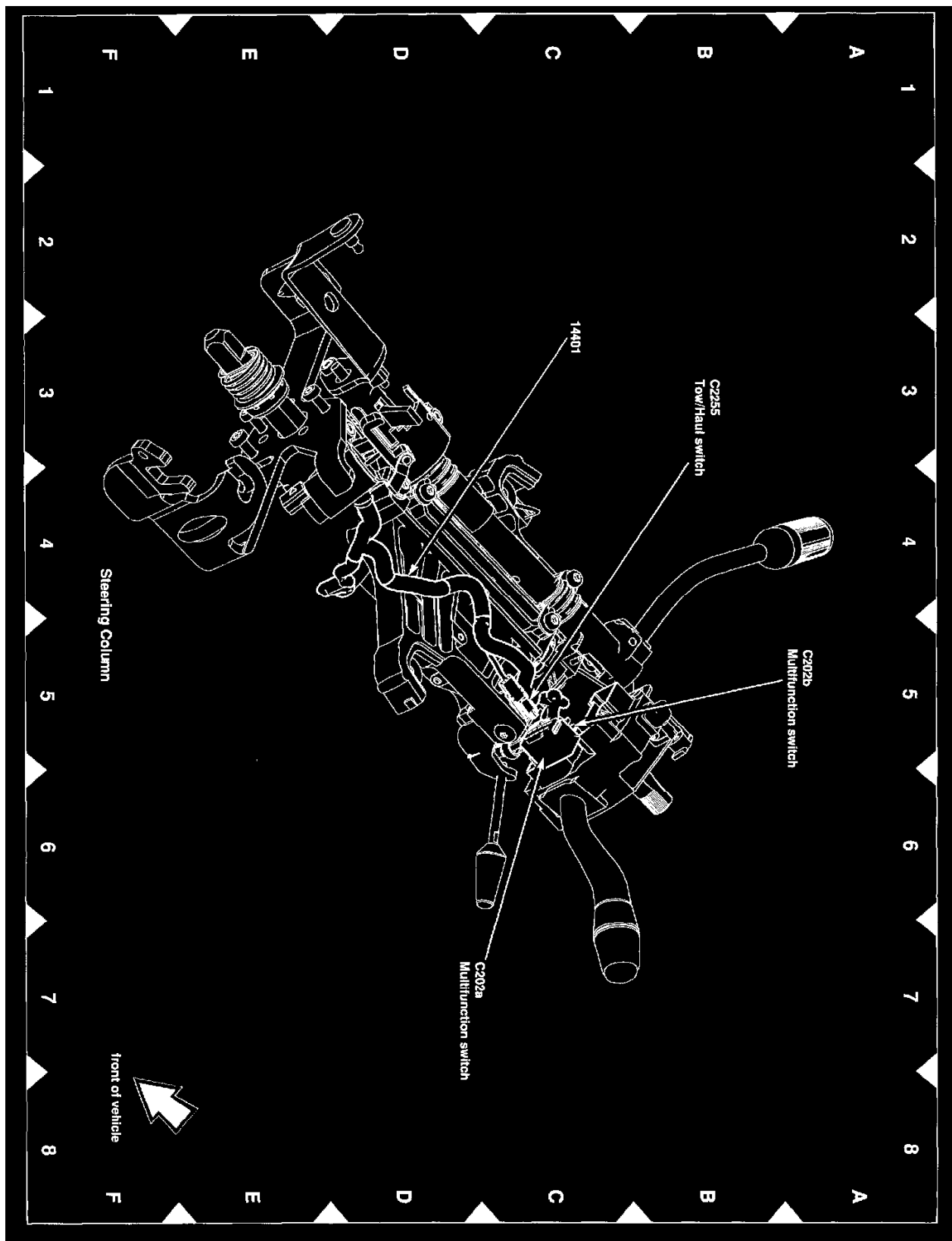
View 151-15 (Dash Panel - Front)



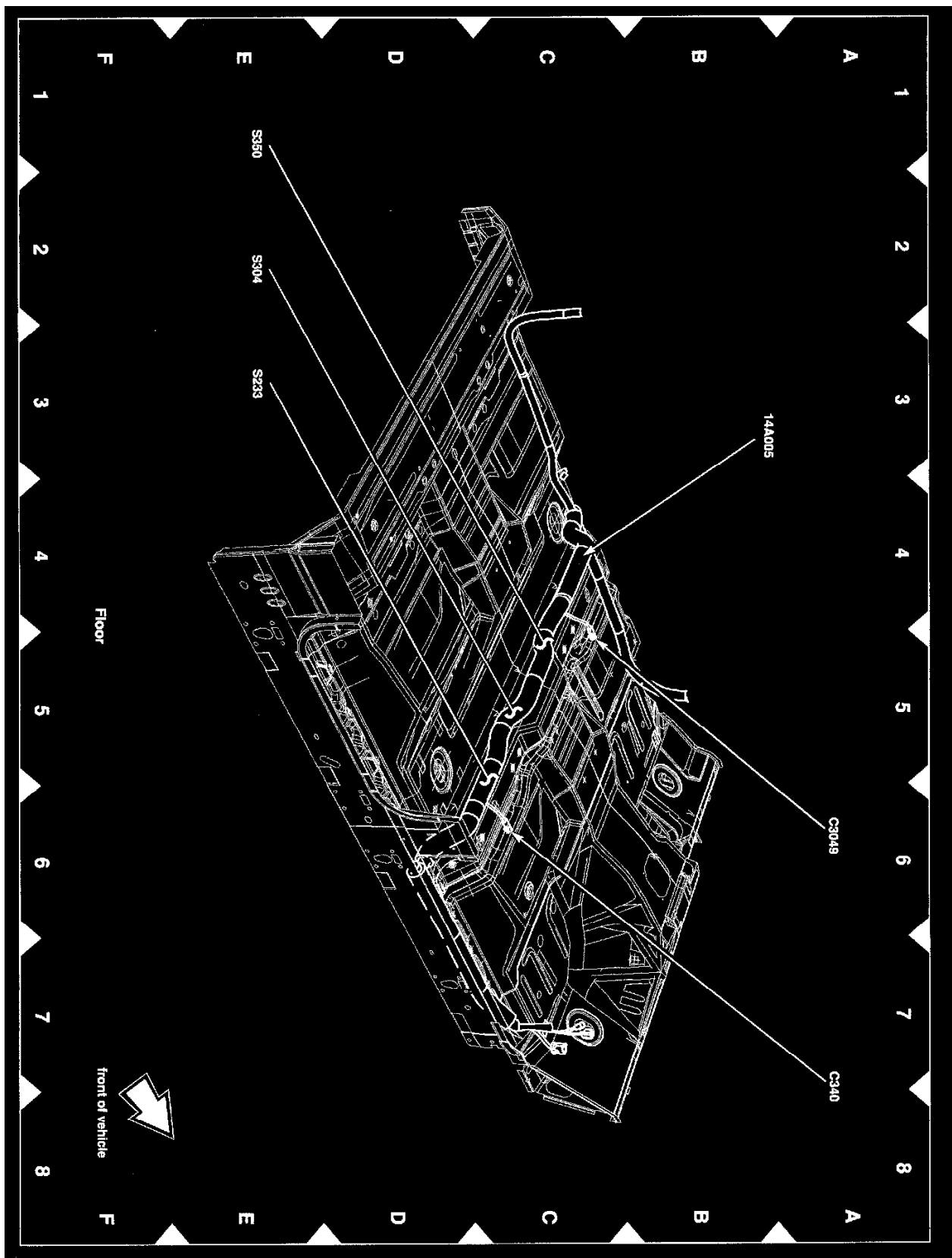
View 151-16 (Instrument Panel (Back))



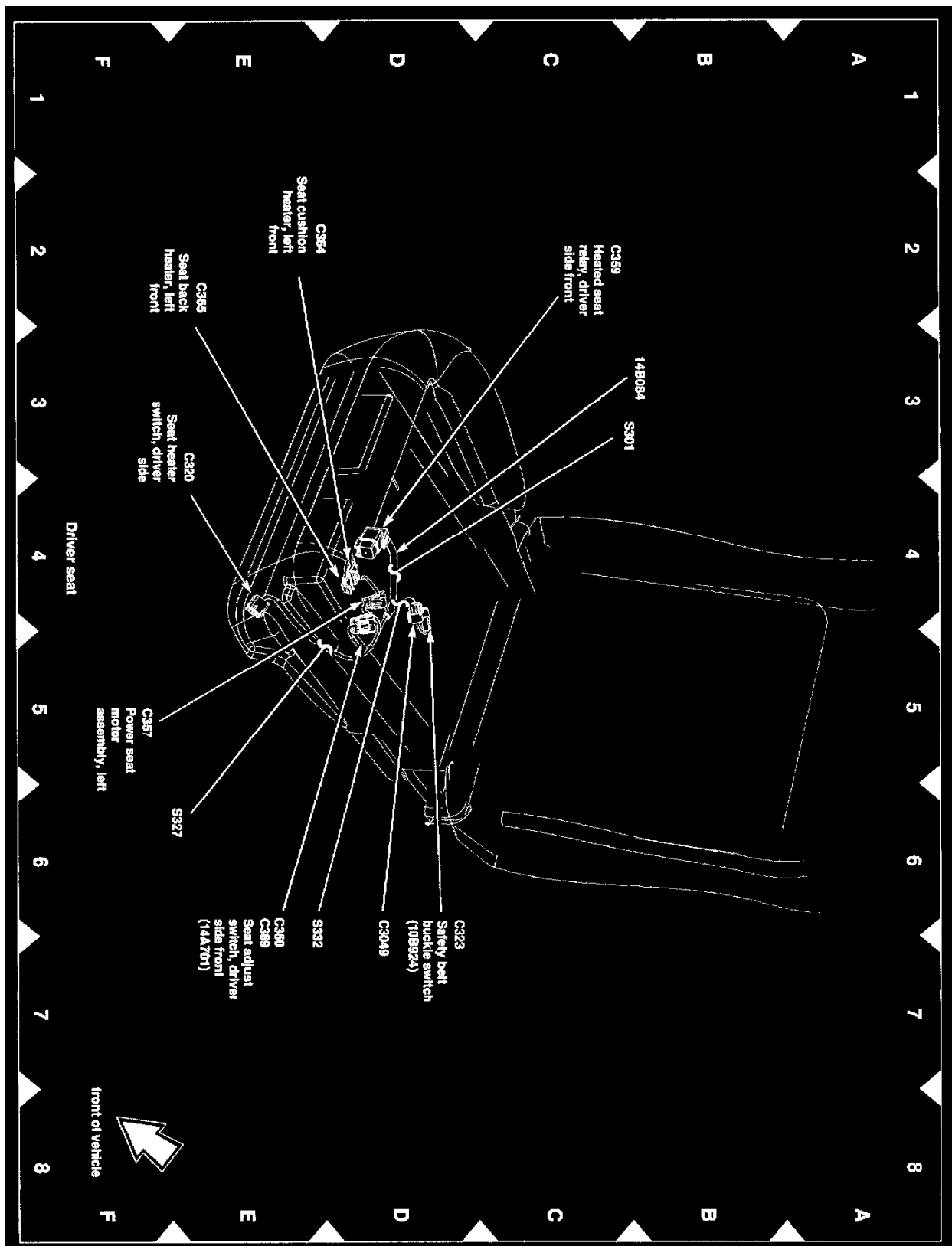
View 151-17 (Instrument Panel (Back))



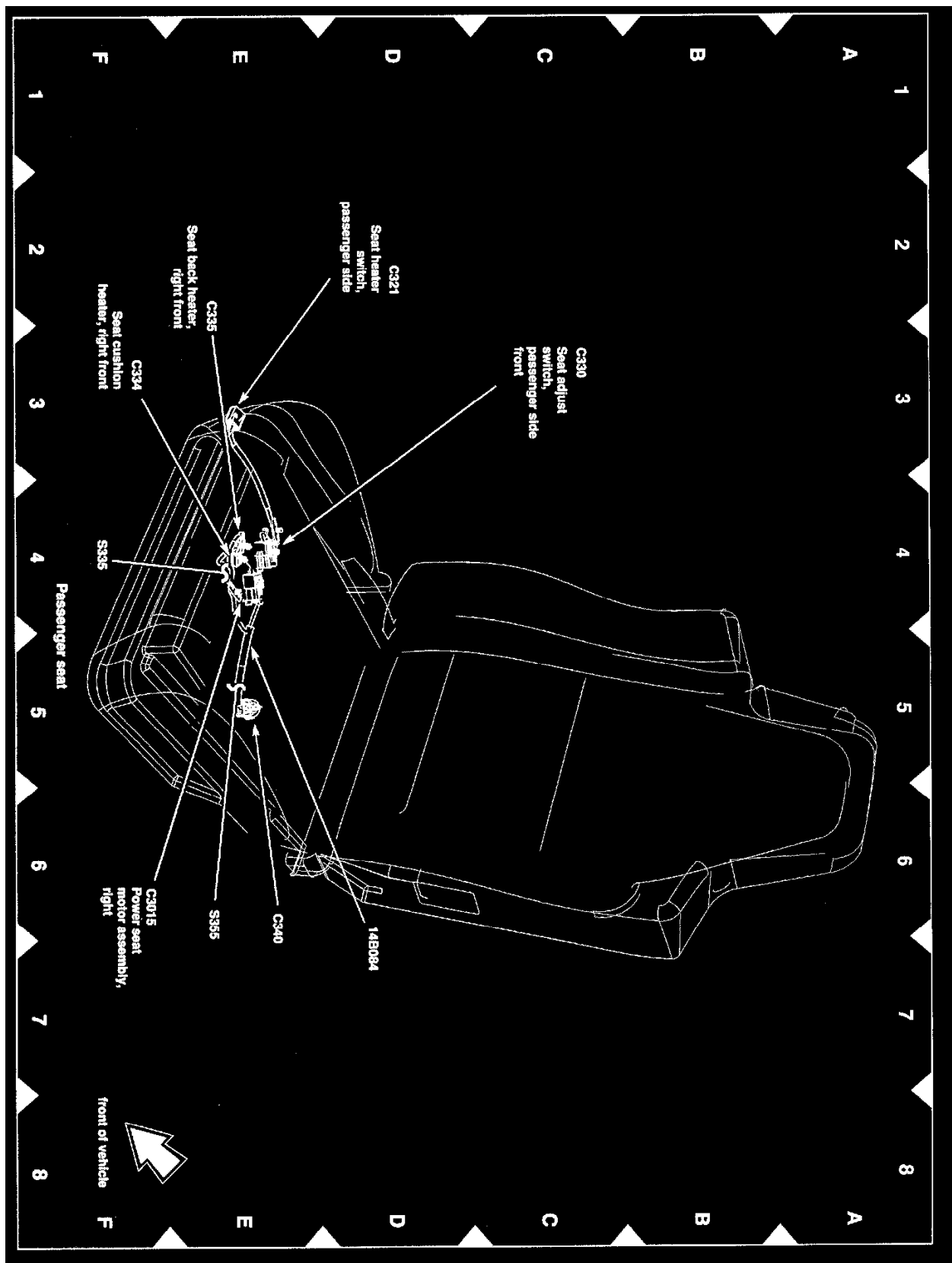
View 151-18 (Steering Column)



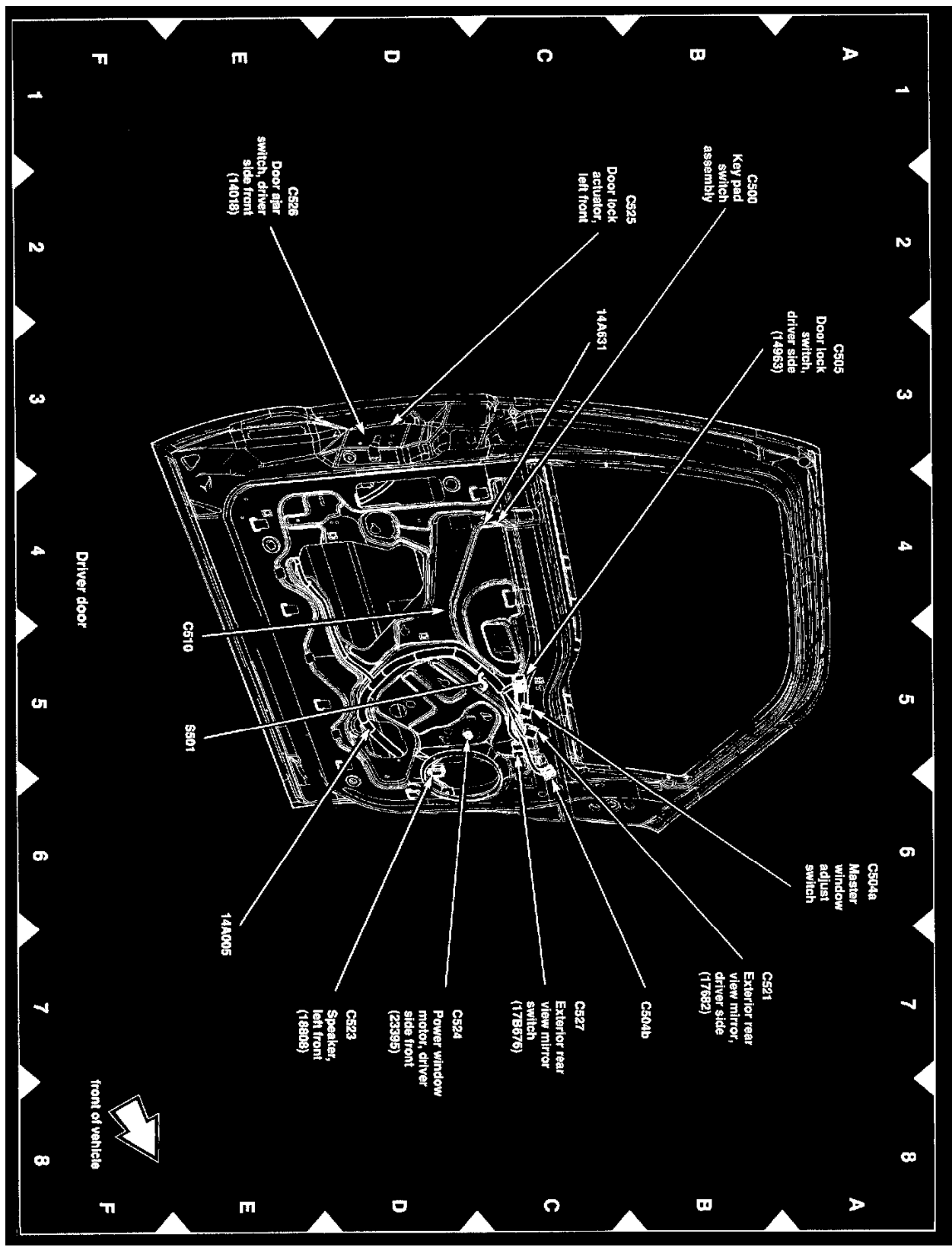
View 151-19 (Floor)



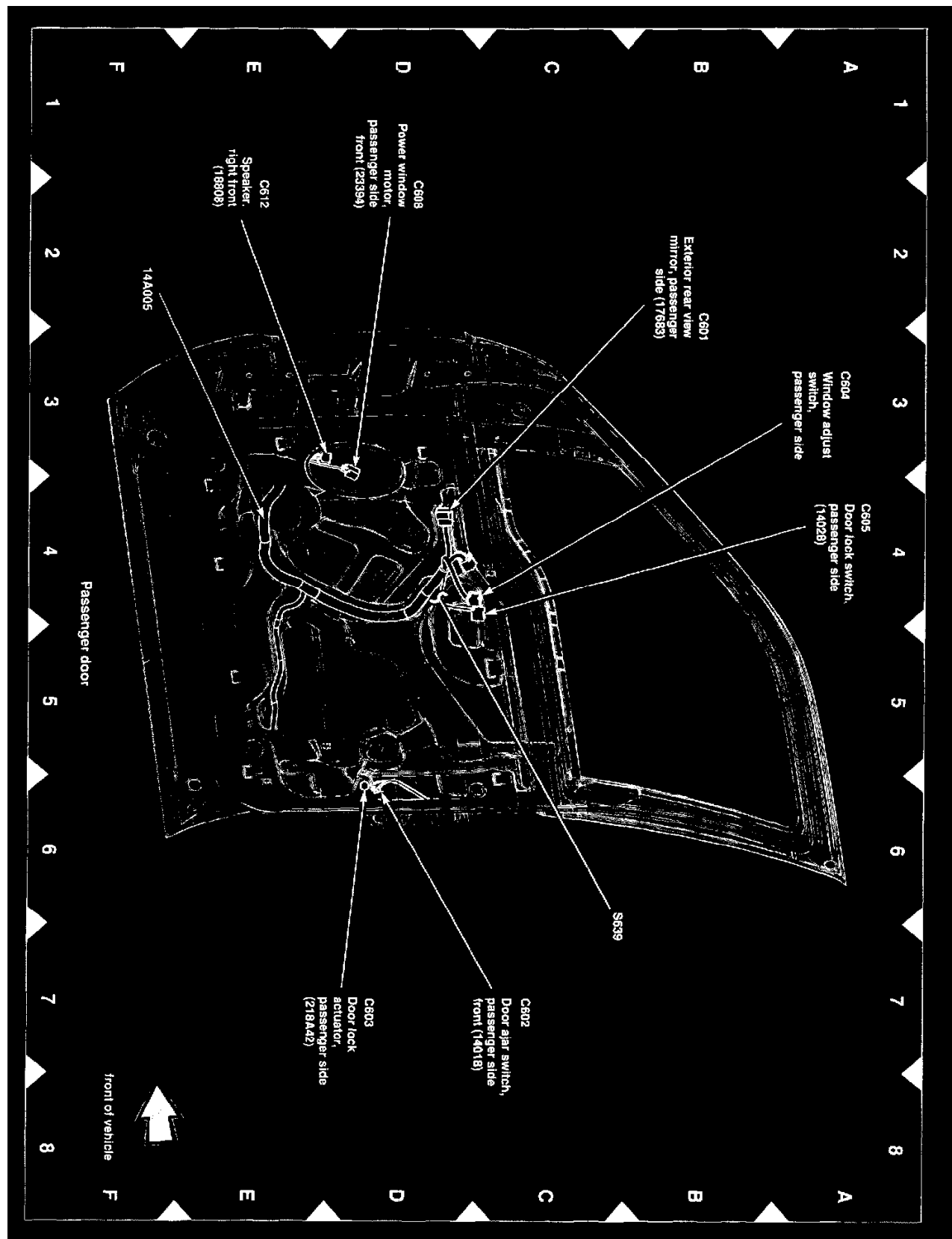
View 151-20 (Driver Seat)



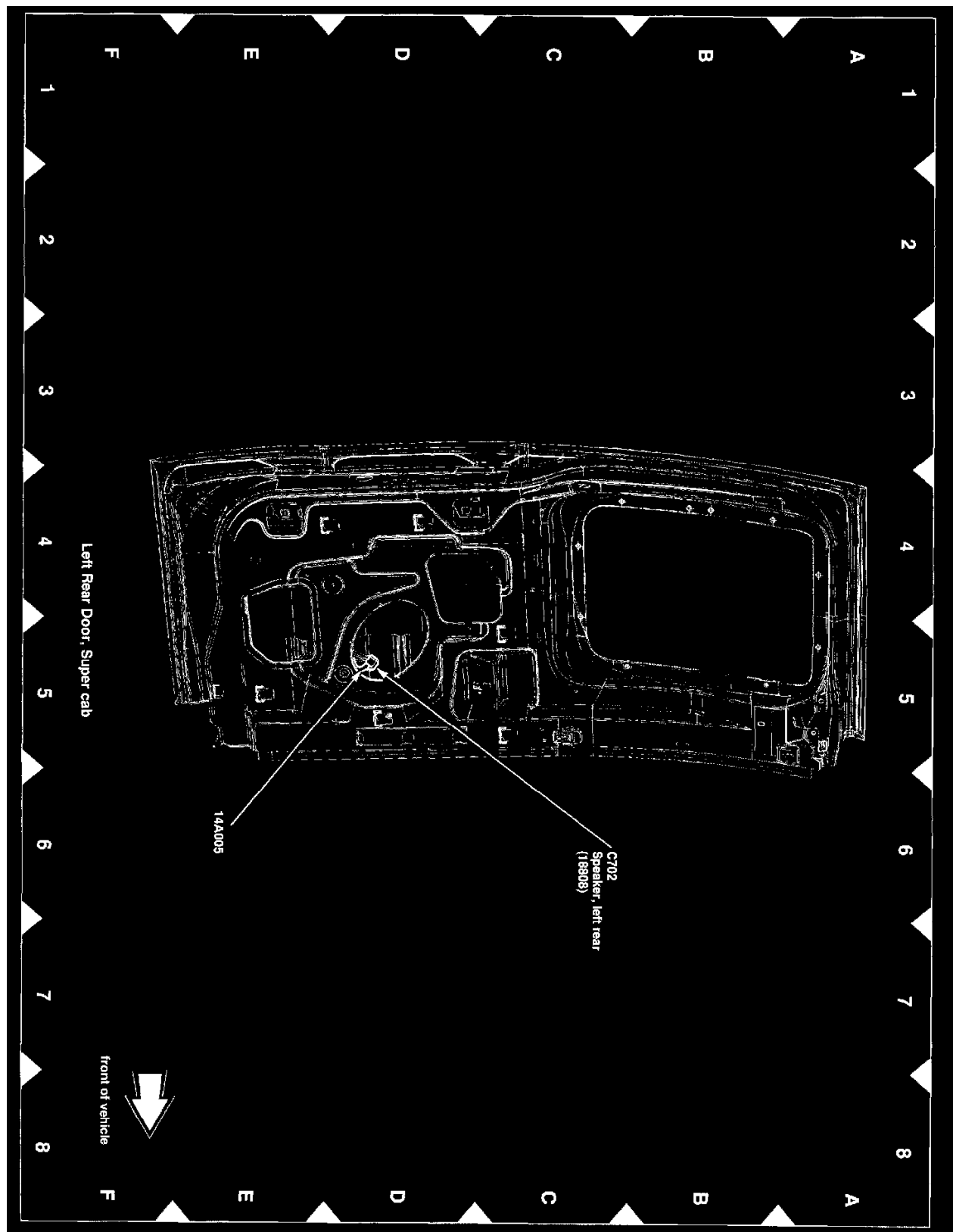
View 151-21 (Passenger Seat)



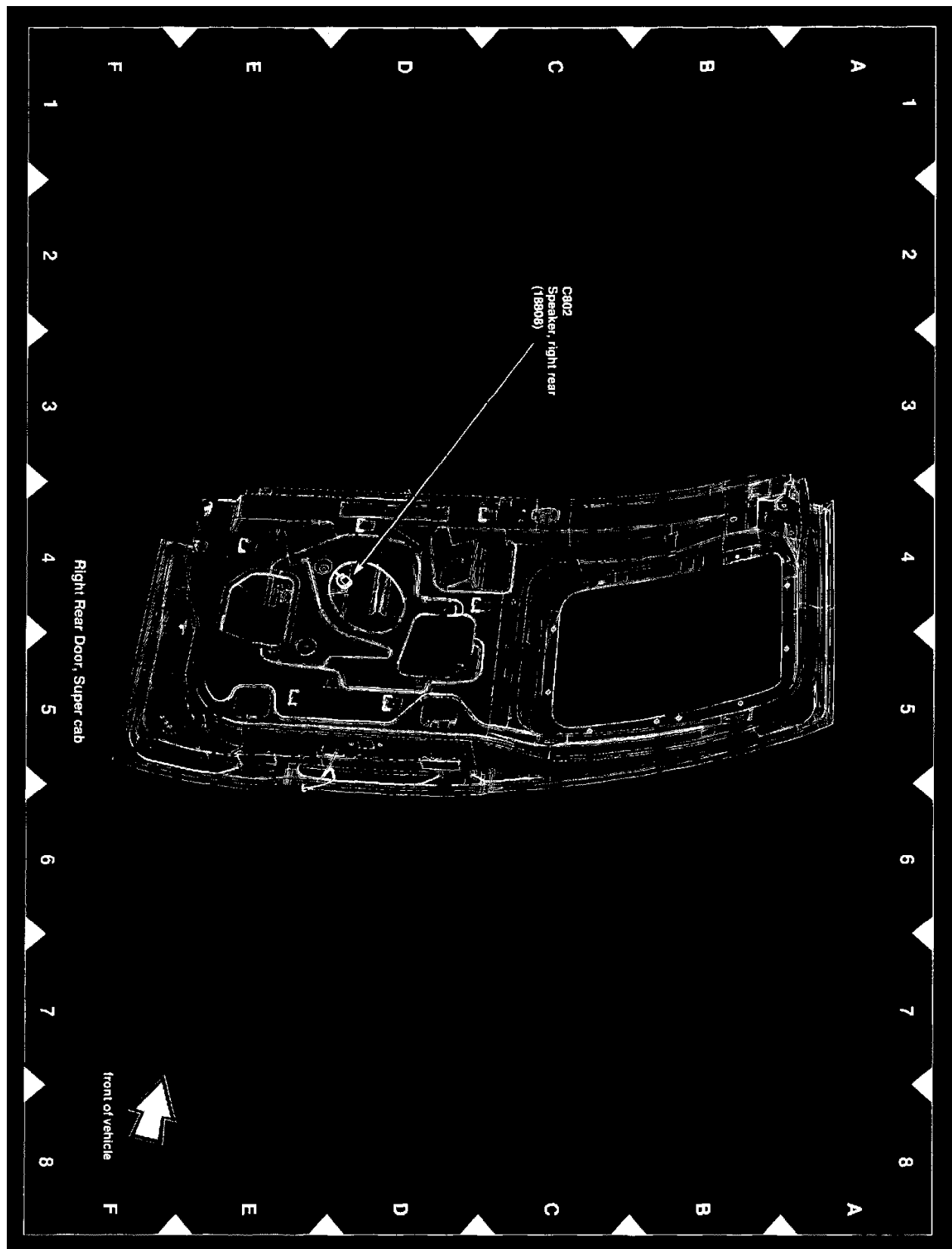
View 151-22 (Driver Door)



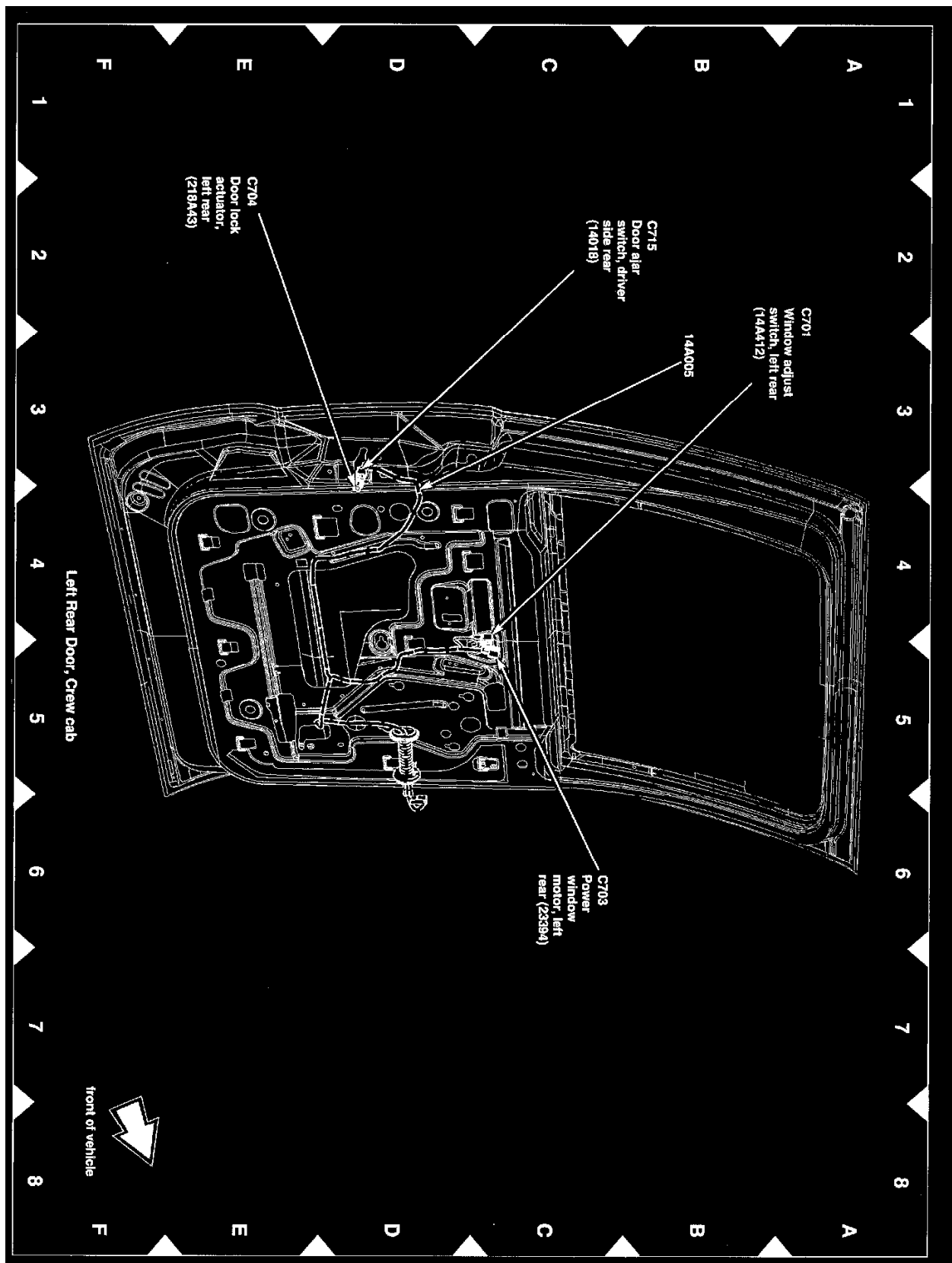
View 151-23 (Passenger Door)



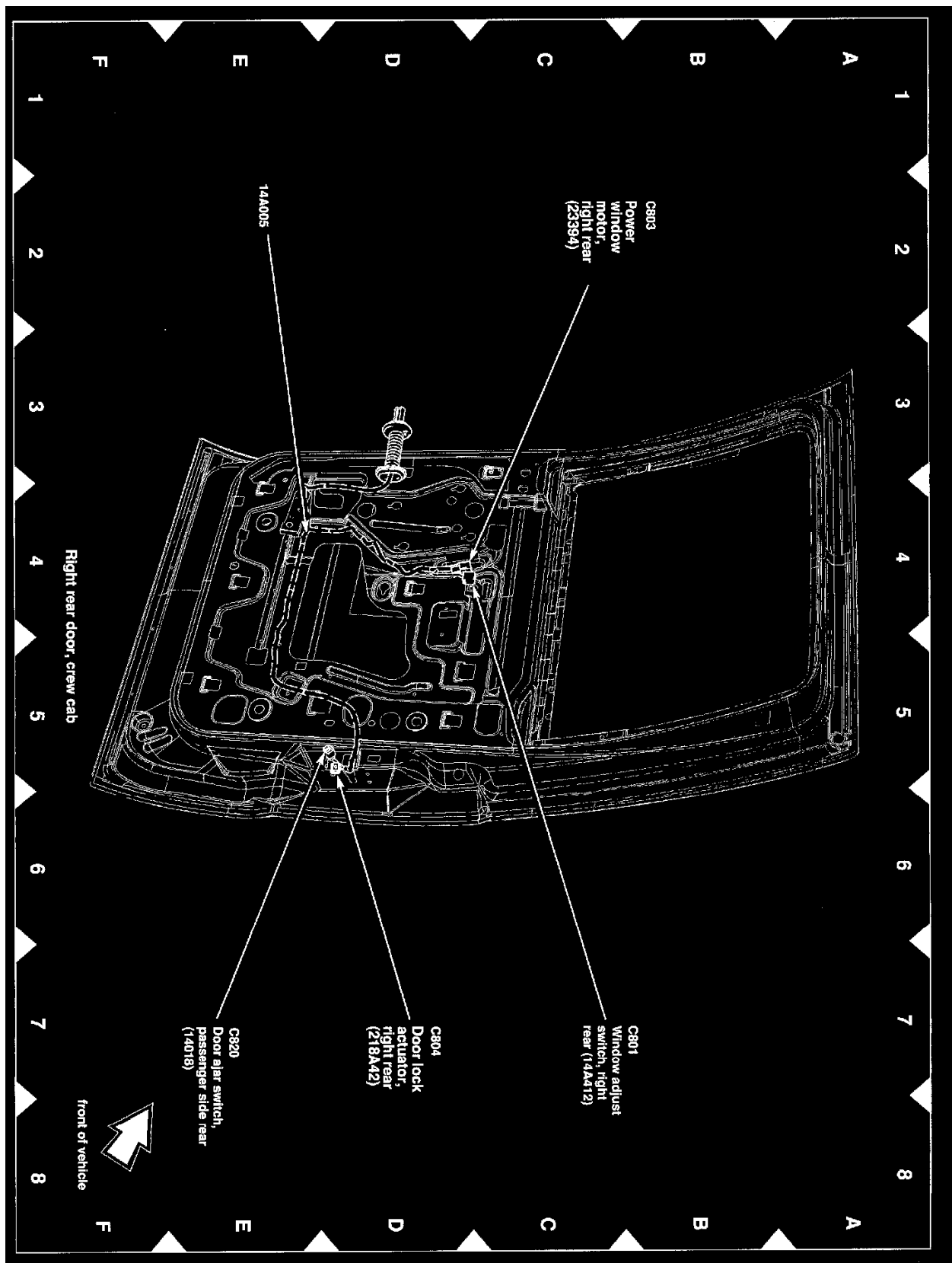
View 151-24 (Left Rear Door, Super Cab)



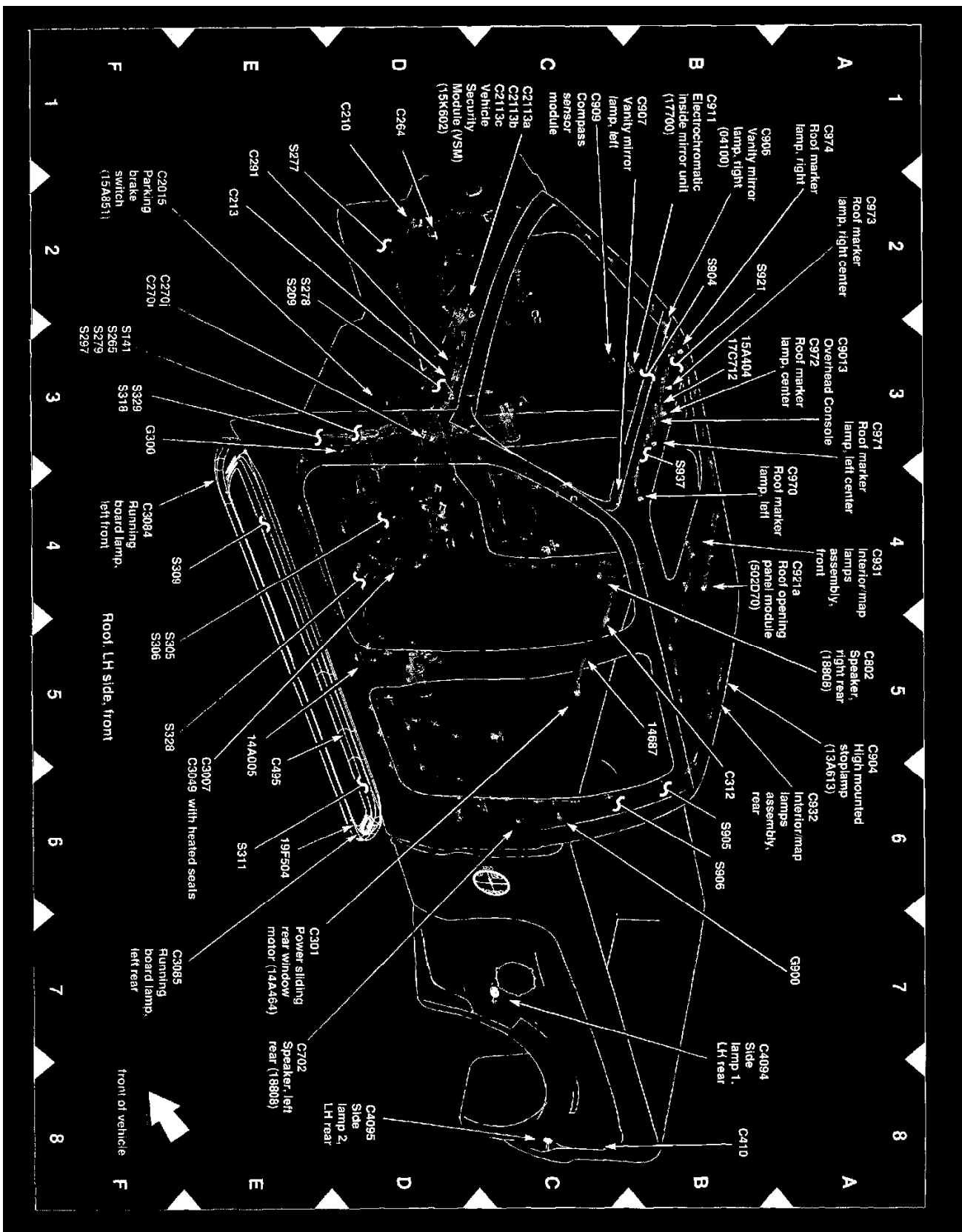
View 151-25 (Right Rear Door, Super Cab)



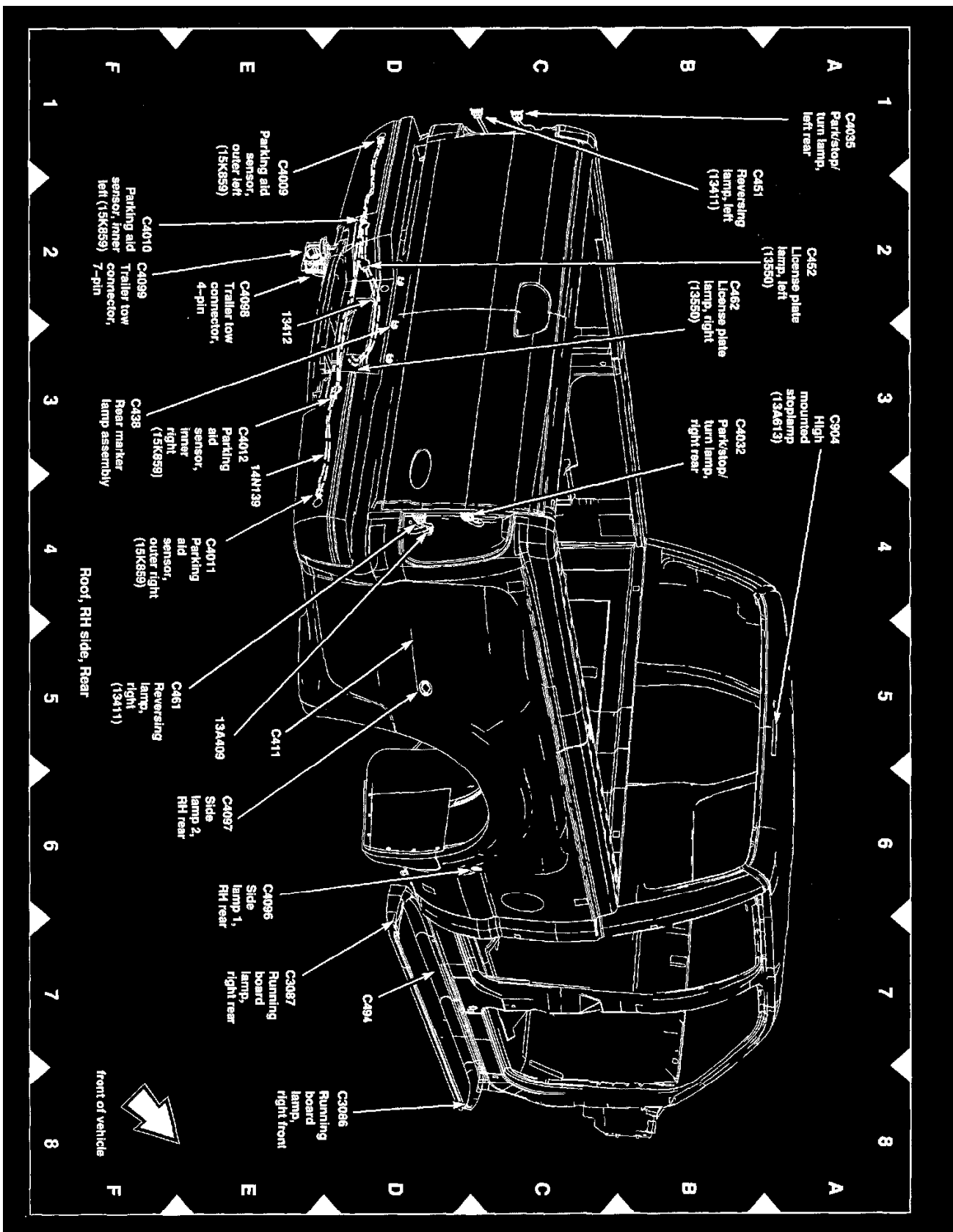
View 151-26 (Left Rear Door, Crew Cab)



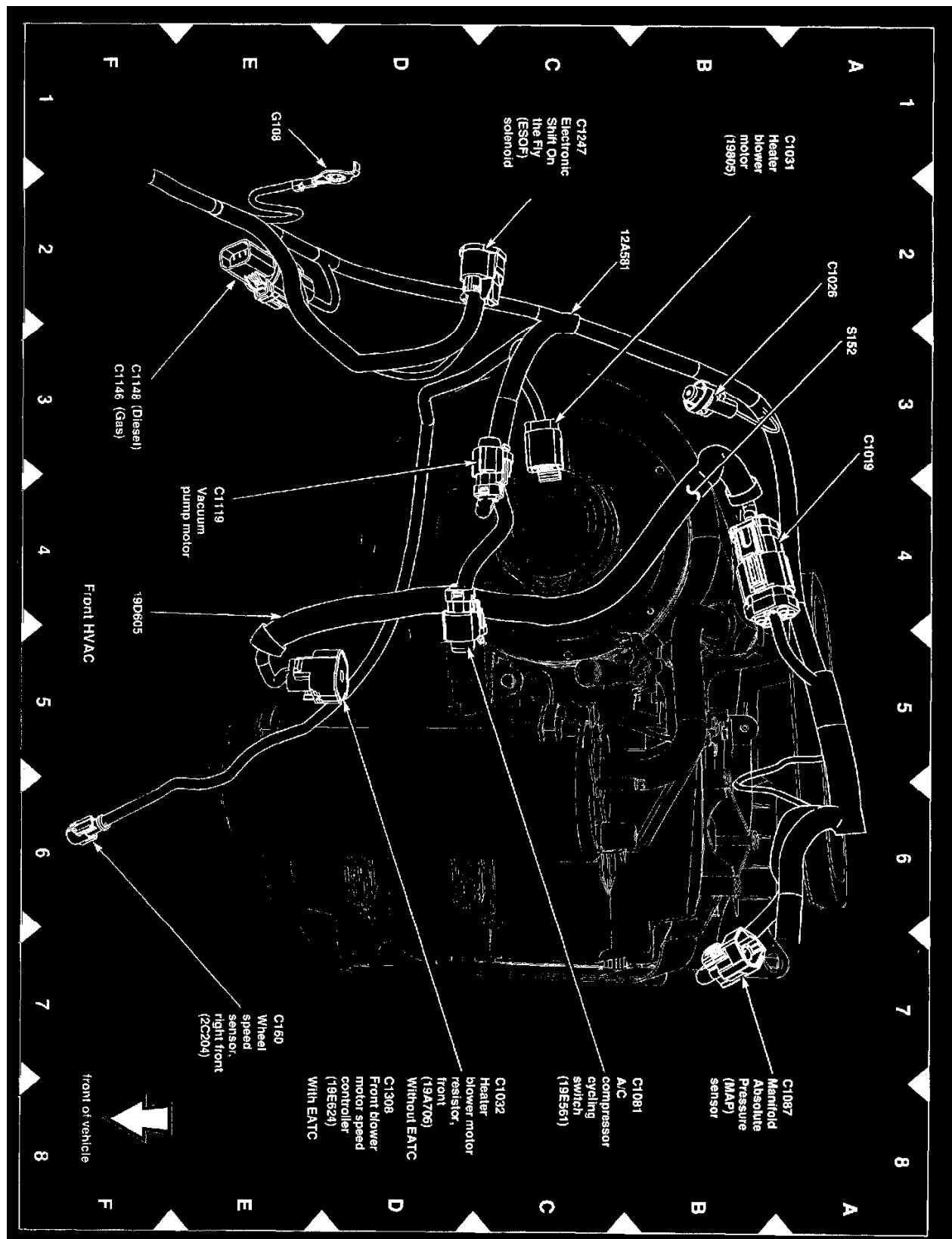
View 151-27 (Right Rear Door, Crew Cab)



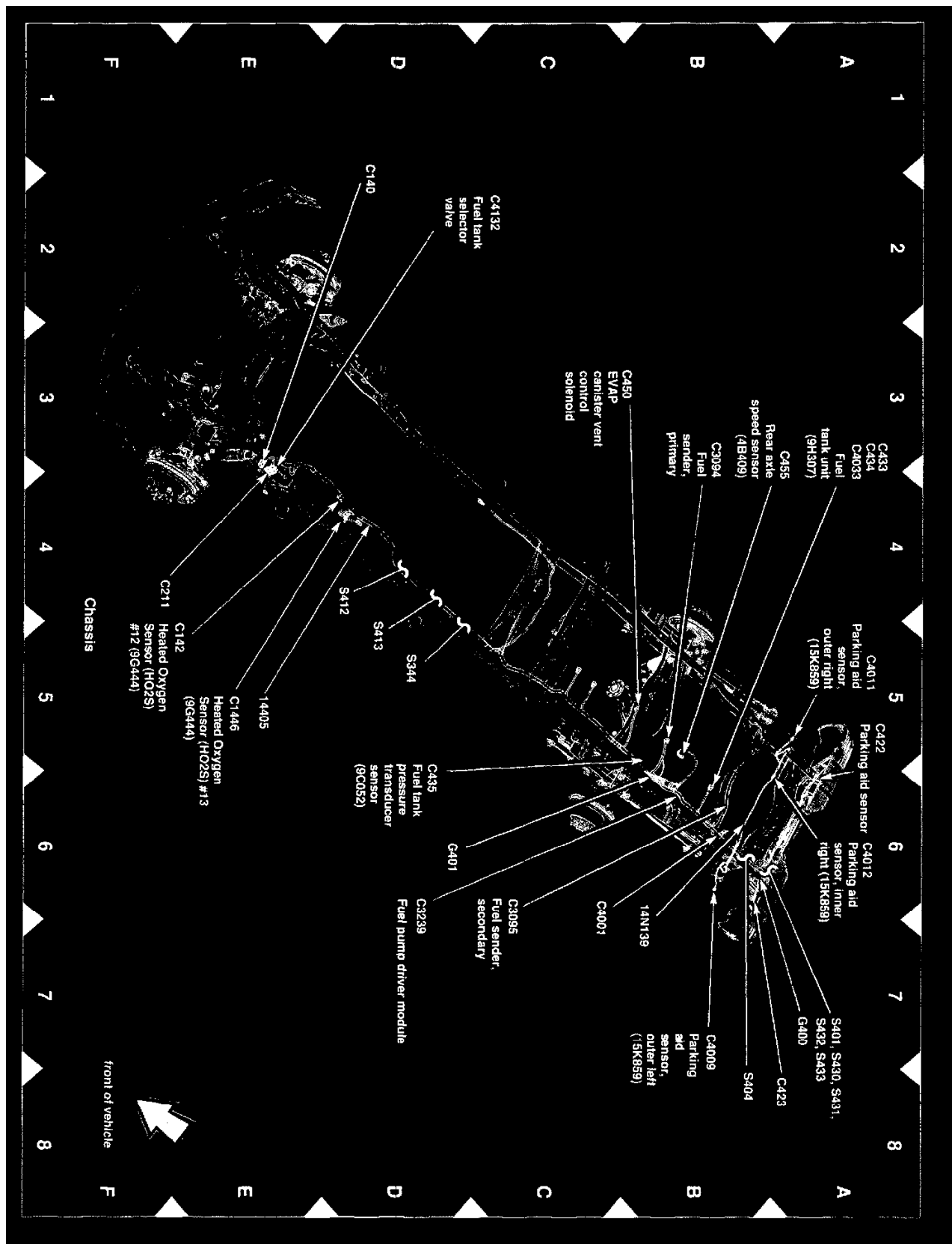
View 151-28 (Roof, LH Side, Front)



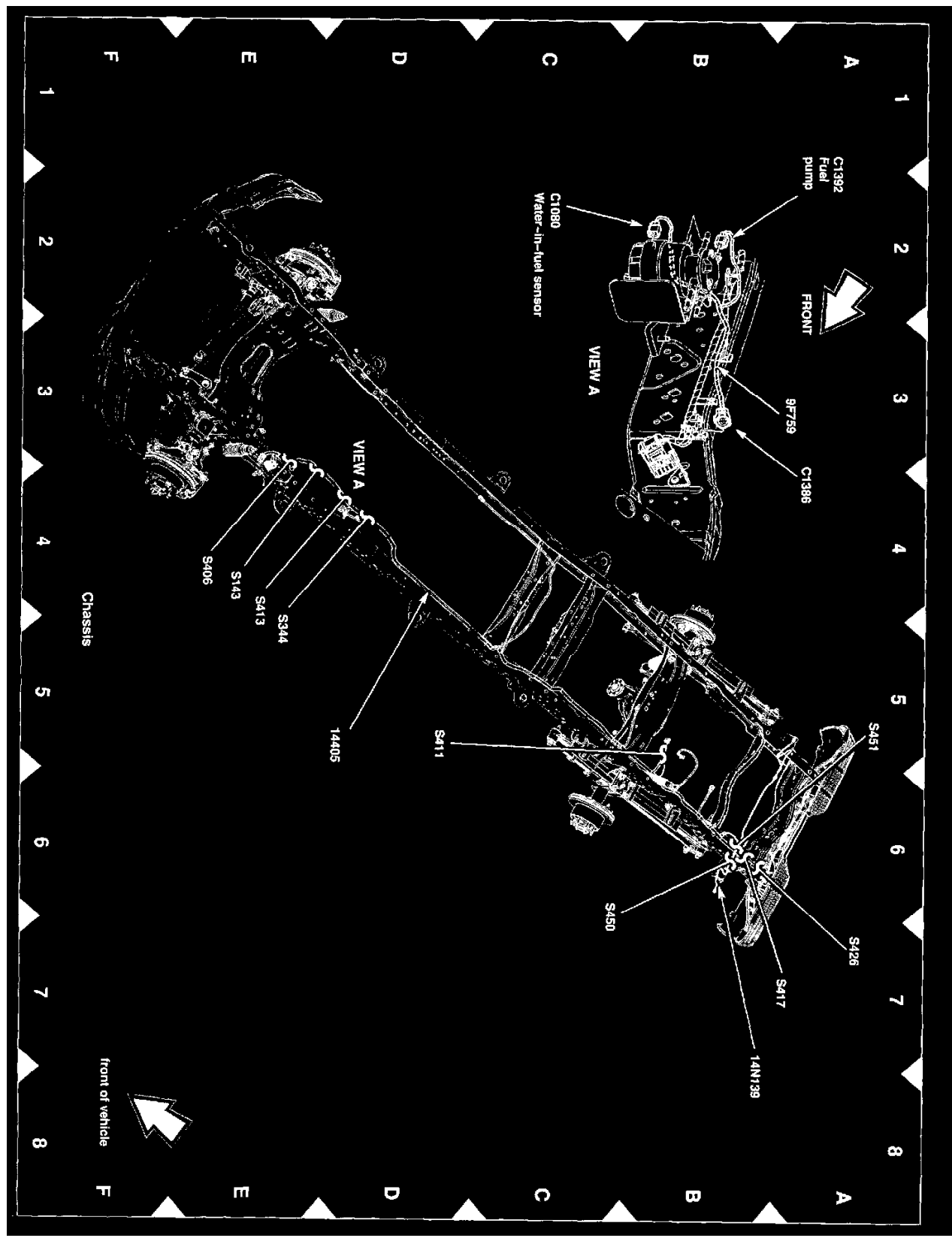
View 151-29 (Roof, RH Side, Rear)



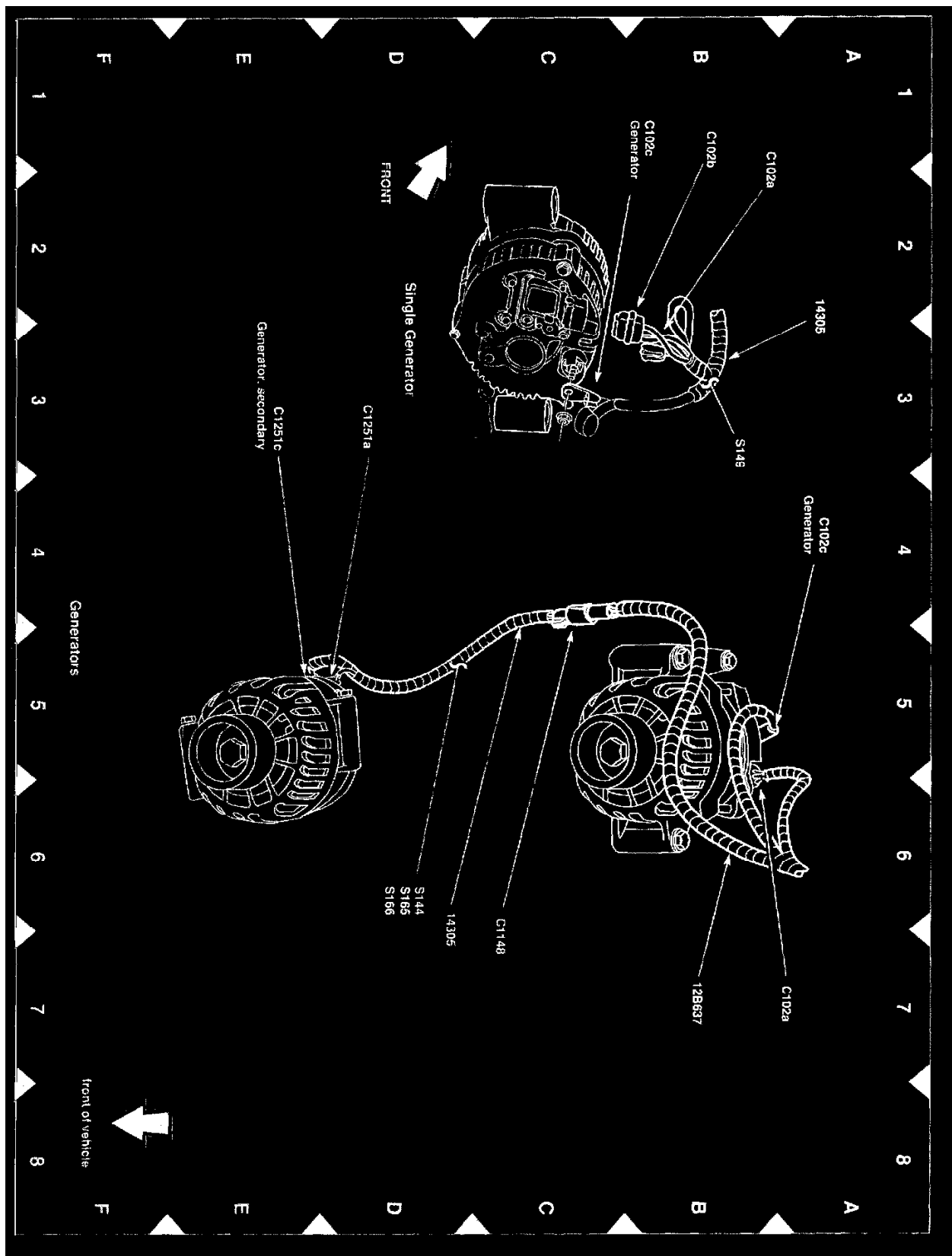
View 151-30 (Front HVAC)



View 151-31 (Chassis)



View 151-32 (Chassis)



View 151-33 (Generators)

**Splice Location Index**

**PLEASE NOTE:** If a link on the Splices Location Index to a View is not provided, that means that the Splices and/or View in question does NOT apply to the vehicle model selected.



Splices	Location	View 151-*/coordinates	S140	Wiring harness - Engine control sensor	17 - F6
S127	Wiring harness - Back up lamp switch to rear lamp feed (15525) near T/O to C1107	14 - E4	S141	Wiring harness - Engine control sensor (12A581) in T/O to C135	17 - F6
S127	Wiring harness - Back up lamp switch to rear lamp feed (15525) near T/O to C169 - manual transmission	14 - D2	S142	Wiring harness - Body main (14A005) near T/O to G300	28 - F3
S128	Wiring harness - Back-up lamp switch to rear lamp feed (15525) near T/O to C1107	14 - E4	S143	Wiring harness - Engine control sensor (12A581) in T/O to C135	4 - C7
S128	Wiring harness - Back up lamp switch to rear lamp feed (15525) in T/O to C1385 - Diesel	14 - C7	S144	Wiring harness - Engine control sensor and fuel charge (12B637) near T/O to C128 - 6.8L	9 - C2
S129	Wiring harness - Back-up lamp switch to rear lamp feed (15525) in T/O to C1385	14 - D7	S145	Wiring harness - Alternator rectifier system (14305) near T/O to C1251a	10 - E7
S130	Wiring harness - Engine control sensor and fuel charge (12B637) near T/O to C1073	10 - A7	S146	Wiring harness - Engine control sensor and fuel charge (12B637) near T/O to C175a	33 - D6
S131	Wiring harness - Engine control sensor and fuel charge (12B637) near T/O to C1073	10 - A7	S147	Wiring harness - Engine control sensor (12A581) in T/O to C135	9 - B6
S132	Wiring harness - Engine control sensor and fuel charge (12B637) near T/O to C175a	9 - B6	S147	Wiring harness - Engine control sensor and fuel charge near T/O to C1273a - Diesel	2 - A5
S133	Wiring harness - Engine control sensor (12B637) under battery junction box	2 - B7	S148	Wiring harness - Engine control sensor and fuel charge near T/O to C1073	13 - D8
S134	Wiring harness - Engine control sensor and fuel charge (12B637) near T/O to C118	7 - B7	S149	Wiring harness - Engine control sensor and fuel charge (12B637) near T/O to C1073	10 - A7
S135	Wiring harness - Engine control sensor and fuel charge (12B637) near T/O to C183	9 - D7	S149	Wiring harness - Main (14401) in T/O to C1445	17 - F6
S136	Wiring harness - Engine control sensor and fuel charge (12B637) near T/O to C113	9 - D7	S152	Wiring harness - Engine control sensor and fuel charge near T/O to C1273a - Diesel	13 - D7
S137	Wiring harness - Engine control sensor and fuel charge (12B637) near T/O to C188	10 - A7	S152	Wiring harness - Alternator rectifier system (14305) Cable assembly, battery positive	33 - B3
S138	Wiring harness - Back up lamp switch to rear lamp feed (15525) near T/O to C1107	14 - C6	S160	Wiring harness - A/C extension (19D605) in T/O to C1032	30 - A3
S138	Wiring harness - Back up lamp switch to rear lamp feed (15525) near T/O to C350a - with manual transmission, or ESDF	14 - D1	S162	Wiring harness - Engine control sensor (12A581) under battery junction box	4 - A7
S139	Wiring harness - Engine control sensor (12A581) near T/O to G100	4 - A6	S162	Wiring harness - Engine control sensor (12A581) near T/O to G100	2 - A7
			S163	Wiring harness - Engine control sensor (12A581) near T/O to G100 - diesel	4 - A5
				Wiring harness - Back up lamp switch to rear lamp feed (15525) in T/O to auxiliary relay box 3	2 - A6

S127-S163

Splices		View 151-*/coordinates			
Location					
S164	Wiring harness - Engine control sensor (12A581) in T/O to C140	2 - C8	S201	Wiring harness - Main (14401) near T/O to instrument cluster	17 - B8
S165	Wiring harness - Alternator rectifier system (14305) near to C1249a	33 - D6	S202	Wiring harness - Main (14401) in T/O to C2041	17 - F4
S166	Wiring harness - Alternator rectifier system (14305) near T/O to C1249a	33 - D6	S203	Wiring harness - Main (14401) near T/O to instrument cluster	17 - B8
S170	Wiring harness - Engine control sensor (12A581) under battery junction box	4 - B5	S204	Wiring harness - Main (14401) near T/O to C2040	17 - A2
S171	Wiring harness - Engine control sensor (12A581) in T/O to battery junction box	2 - C8	S205	Wiring harness - Main (14401) near T/O to C278	17 - E8
S171	Wiring harness - Engine control sensor (12A581) in T/O to battery junction box - diesel	4 - C7	S206	Wiring harness - Main (14401) near T/O to C218b	17 - A5
S174	Wiring harness - Engine control sensor (12A581) near T/O to G100	4 - A6	S207	Wiring harness - Main (14401) near T/O to C250	17 - C8
S180	Wiring harness - Engine control sensor (12A581) near T/O to G108	2 - D2	S208	Wiring harness - Main (14401) near T/O to instrument cluster	17 - B8
S180	Wiring harness - Engine control sensor (12A581) near T/O to G108	4 - D2	S209	Wiring harness - Body main (14A005) in T/O to C270j	28 - E2
S182	Wiring harness - Engine control sensor (12A581) near T/O to G100	4 - A6	S210	Wiring harness - Main (14401) near T/O to C250	17 - C8
S190	Wiring harness - Engine control sensor and fuel charge near T/O to C1064	12 - E3	S211	Wiring harness - Main (14401) near T/O to C264	17 - C1
S192	Wiring harness - Engine control sensor and fuel charge near T/O to C1064	12 - E3	S213	Wiring harness - Main (14401) in T/O to Data Link Connector (DLC) (14489)	17 - E5
S193	Wiring harness - Engine control sensor and fuel charge (12B637) near T/O to 1271	12 - F5	S214	Wiring harness - Main (14401) near T/O to C278	17 - C8
S194	Wiring harness - Engine control sensor and fuel charge (12B637) near T/O to C1236	12 - A6	S215	Wiring harness - Main (14401) near T/O to C205a	17 - C8
S195	Wiring harness - Engine control sensor and fuel charge (12B637) near T/O to C1236	12 - A6	S216	Wiring harness - Main (14401) near T/O to C218b	17 - A4
S196	Wiring harness - Engine control sensor and fuel charge (12B637) near T/O to C1236	12 - A6	S217	Wiring harness - Main (14401) near T/O to instrument cluster	17 - A5
S197	Wiring harness - Engine control sensor and fuel charge (12B637) near T/O to C1381c	13 - A2	S218	Wiring harness - Main (14401) near T/O to instrument cluster	17 - C8
			S219	Wiring harness - Main (14401) near T/O to C286	17 - A4
			S220	Wiring harness - Main (14401) in T/O to Data Link Connector (DLC) (14489)	17 - E5
			S221	Wiring harness - Main (14401) near T/O to C2186	17 - F6

S164-S221

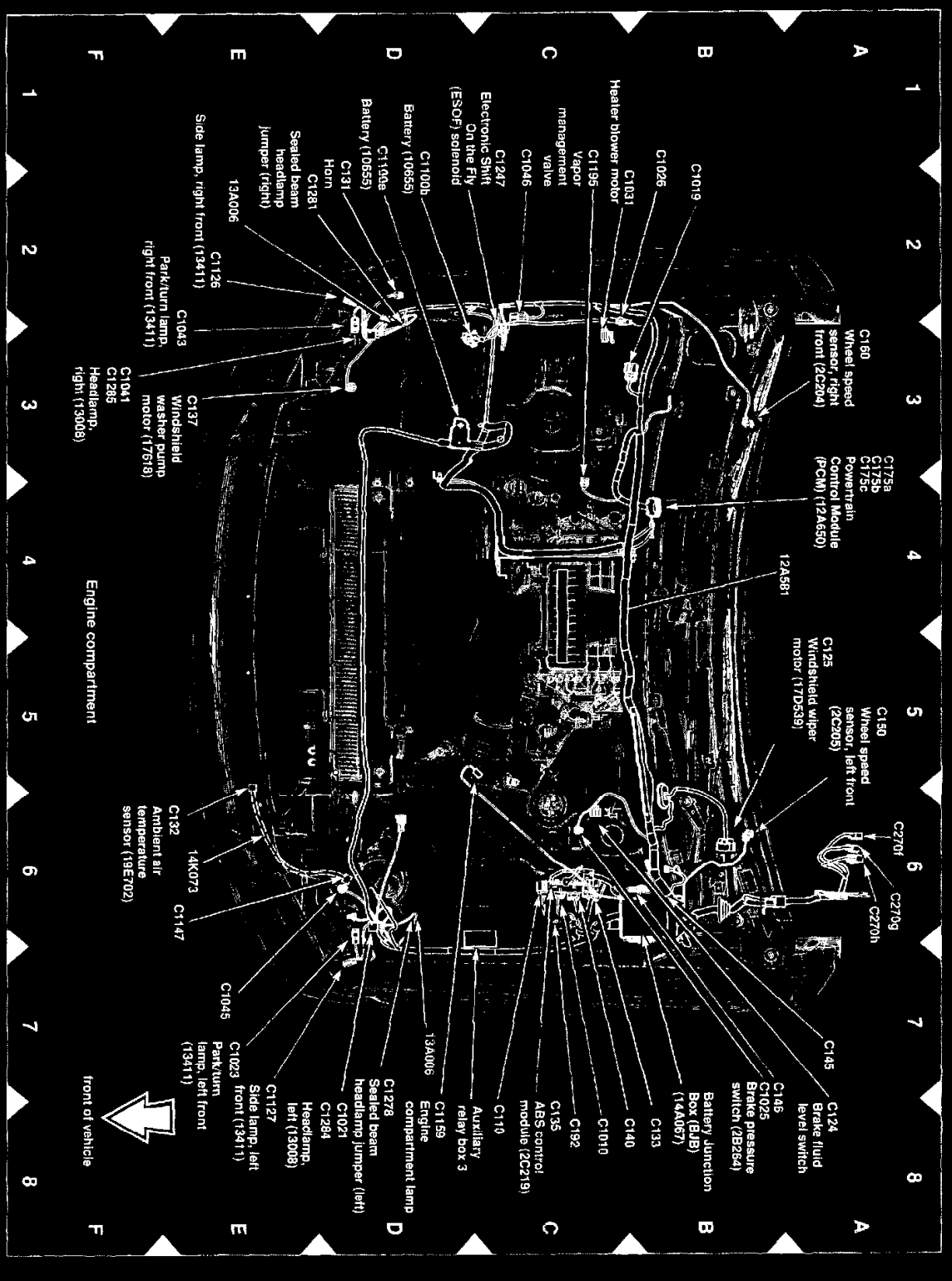


Splices		Location	View I51-*/coordinates		
S299	Wiring harness - Main (14A01) in T/O to C2041	17 - E4	S329	Wiring harness - Body main (14A005) near T/O to G300	28 - F3
S300	Wiring harness - Body main (14A005) near T/O to G900	17 - B7	S332	Wiring harness - Seat regulator (14B084) near T/O to C357	20 - D7
S301	Wiring harness - Passenger, driver seat jumper (14B084) near T/O to C357	20 - C3	S344	Wiring harness - Seat regulator (14B084) near T/O to C334	21 - F4
S304	Wiring harness - Body main (14A005) near T/O to C340 - with heated seats	19 - E2	S355	Wiring harness - Tail lamps (14405) near T/O to C494	31 - D5
S305	Wiring harness - Body main (14A005) near T/O to C802	19 - E2	S400	Wiring harness - Tail lamps (14405) near T/O to C494	32 - E4
S305	Wiring harness - Body main (14A005) near T/O to C3007	28 - F5	S401	Wiring harness - Passenger, driver seat jumper (14B084) near T/O to C334	21 - E6
S305	Wiring harness - Body main (14A005) near T/O to C3049 - with heated seats	28 - F5	S402	Wiring harness - Tail lamps (14405) near T/O to C3095	31 - D5
S306	Wiring harness - Body main (14A005) near T/O to C3049 - with heated seats	28 - F5	S402	Wiring harness - Tail lamps (14405) near T/O to G400	31 - A7
S306	Wiring harness - Body main (14A005) near T/O to C3007	28 - F5	S402	Wiring harness - Rear lamp connector (13A409) near T/O to C4002 - F-450	31 - D5
S309	Wiring harness - Running board lamps (19F504) near T/O to C3084	28 - F5	S402	Wiring harness - Rear lamp connector (13A409) near T/O to C438	31 - D5
S311	Wiring harness - Running board lamps (19F504) near T/O to C3085	28 - E4	S404	Wiring harness - Rear lamp connector (13A409) near T/O to C423	31 - B8
S312	Wiring harness - Running board lamps (19F504) near T/O to C3086	28 - E6	S407	Wiring harness - Rear lamp connector (13A409) near T/O to C411	31 - D5
S313	Wiring harness - Running board lamps (19F504) near T/O to C3087	28 - D7	S408	Wiring harness - Rear lamp connector (13A409) near T/O to C410	31 - D5
S318	Wiring harness - Body main (14A005) near T/O to G300	29 - D7	S409	Wiring harness - Rear lamp connector (13A409) near T/O to C411	31 - D5
S327	Wiring harness - Seat regulator (14B084) near T/O to C320 - with heated seats	28 - F3	S410	Wiring harness - Rear lamp connector (13A409) near T/O to C410	31 - D5
S327	Wiring harness - Seat regulator (14B084) near T/O to C357	20 - E6	S411	Wiring harness - Rear lamp connector (13A409) near T/O to C411	31 - D5
S328	Wiring harness - Body main (14A005) near T/O to C3007	20 - E6	S412	Wiring harness - Tail lamps (14405) near T/O to C3239	32 - D5
S328	Wiring harness - Body main (14A005) near T/O to C3049 - with heated seats	28 - F5	S413	Wiring harness - Tail lamps (14405) near T/O to C140	31 - D5
S328	Wiring harness - Body main (14A005) near T/O to C3049 - with heated seats	28 - F5	S413	Wiring harness - Tail lamps (14405) near T/O to C140	31 - D5
			S413	Wiring harness - Tail lamps (14405) near T/O to C140	32 - E4

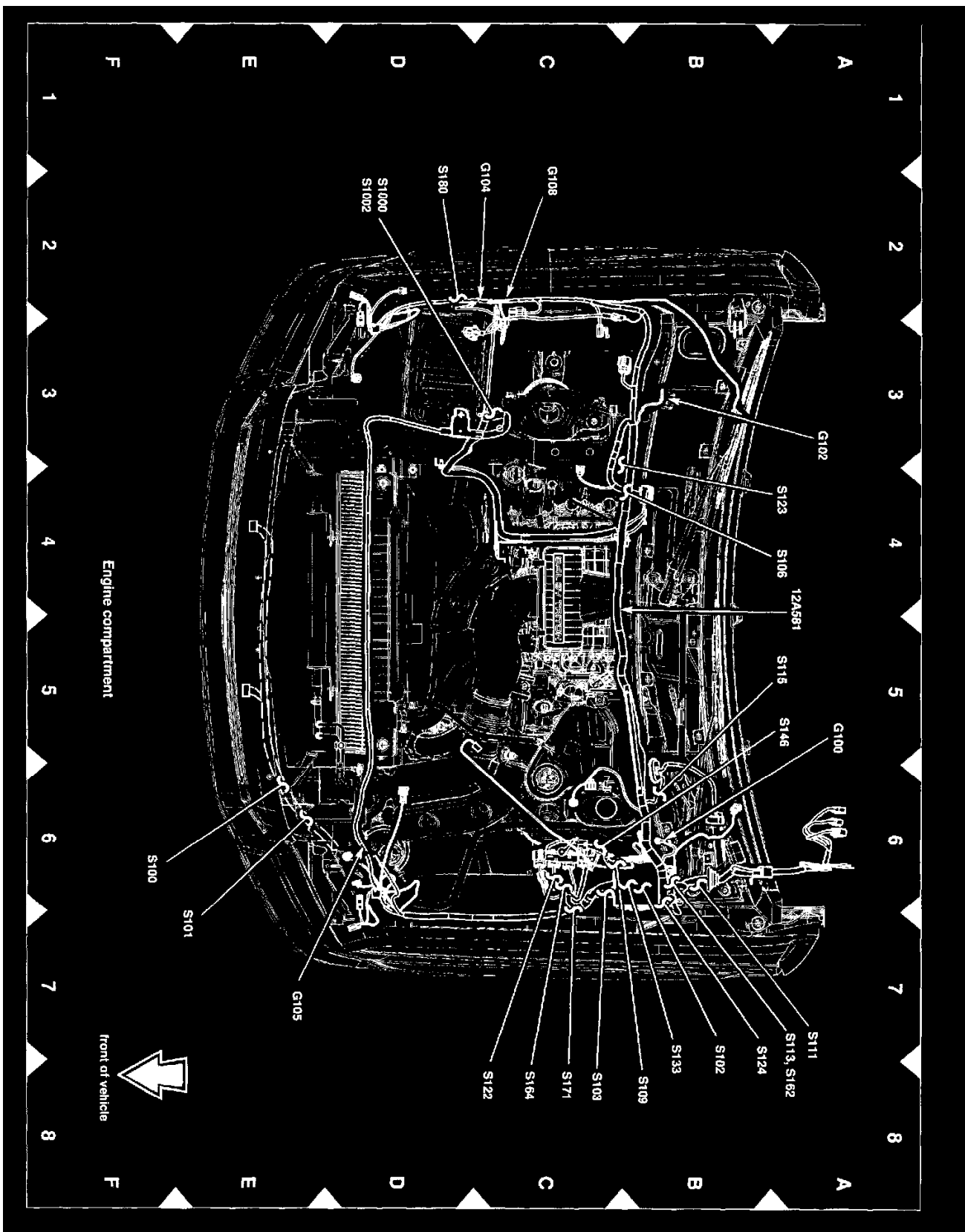
S299-S413

Splices	Location	View 151-*/coordinates
S417	Wiring harness - Rear lamp connector (13A409) near T/O to C408 - with box, with dual rear wheels	32 - A7
S417	Wiring harness - Rear lamp connector (13A409) near T/O to C465 - with box, without dual rear wheels	32 - A7
S417	Wiring harness - Tail lamps (14405) near T/O to C423 - without box	32 - A7
S417	Wiring harness - Rear lamp connector (13A409) near T/O to C4002 - F-450	32 - A7
S418	Wiring harness - Rear license lamps (13412) in T/O to C462	29 - D1
S426	Wiring harness - Rear lamp connector (13A409) near T/O to C408	32 - A7
S426	Wiring harness - Tail lamps (14405) near T/O to C423 - chassis cab	32 - A7
S430	Wiring harness - Trailer lamp feed (14405) near T/O to C4099	31 - A7
S431	Wiring harness - Trailer lamp feed (14405) near T/O to C4099	31 - A7
S432	Wiring harness - Trailer lamp feed (14405) near T/O to C4099	31 - A7
S433	Wiring harness - Trailer lamp feed (14405) near T/O to C4099	31 - A7
S450	Wiring harness - Backup alarm jumper (14N139) near T/O to C4001	32 - C6
S451	Wiring harness - Backup alarm jumper (14N139) near T/O to C4001	32 - A5
S463	Wiring harness - Rear license lamps (13412) in T/O to C462	31 - A7
S501	Wiring harness - Body main (14A005) near T/O to C505	22 - E6
S639	Wiring harness - Body main (14A005) near T/O to C605	23 - C7
S901	Wiring harness - Overhead console (17C712) near T/O to C973	28 - C6
S904	Wiring harness - Marker lamps (15A404) near T/O to C973 - with roof marker lamps	28 - B2
S904	Wiring harness - Vanity mirror lamp (17C712) near T/O to C974	28 - B2
S905	Wiring harness - Body main (14A005) near T/O to C904 - super cab	28 - B6
S905	Wiring harness - Body main (14A005) near T/O to C932	28 - B6
S906	Wiring harness - Body main (14A005) near T/O to C931	28 - B6
S921	Wiring harness - Overhead console (17C712) near T/O to C972	28 - B2
S937	Wiring harness - Vanity mirror lamp (17C712) near T/O to C911	28 - B4
S1000	Wiring harness - Engine control sensor (12A581) near C1100a - diesel	4 - E2
S1000	Wiring harness - Engine control sensor (12A581) near C1100a	2 - D2
S1002	Wiring harness - Engine control sensor (12A581) near C1100a - diesel	4 - E2
S1002	Wiring harness - Engine control sensor (12A581) near C1100a	2 - D2
S2300	Wiring harness - Relay feed (14A303) near upfitter relay box	16 - E3

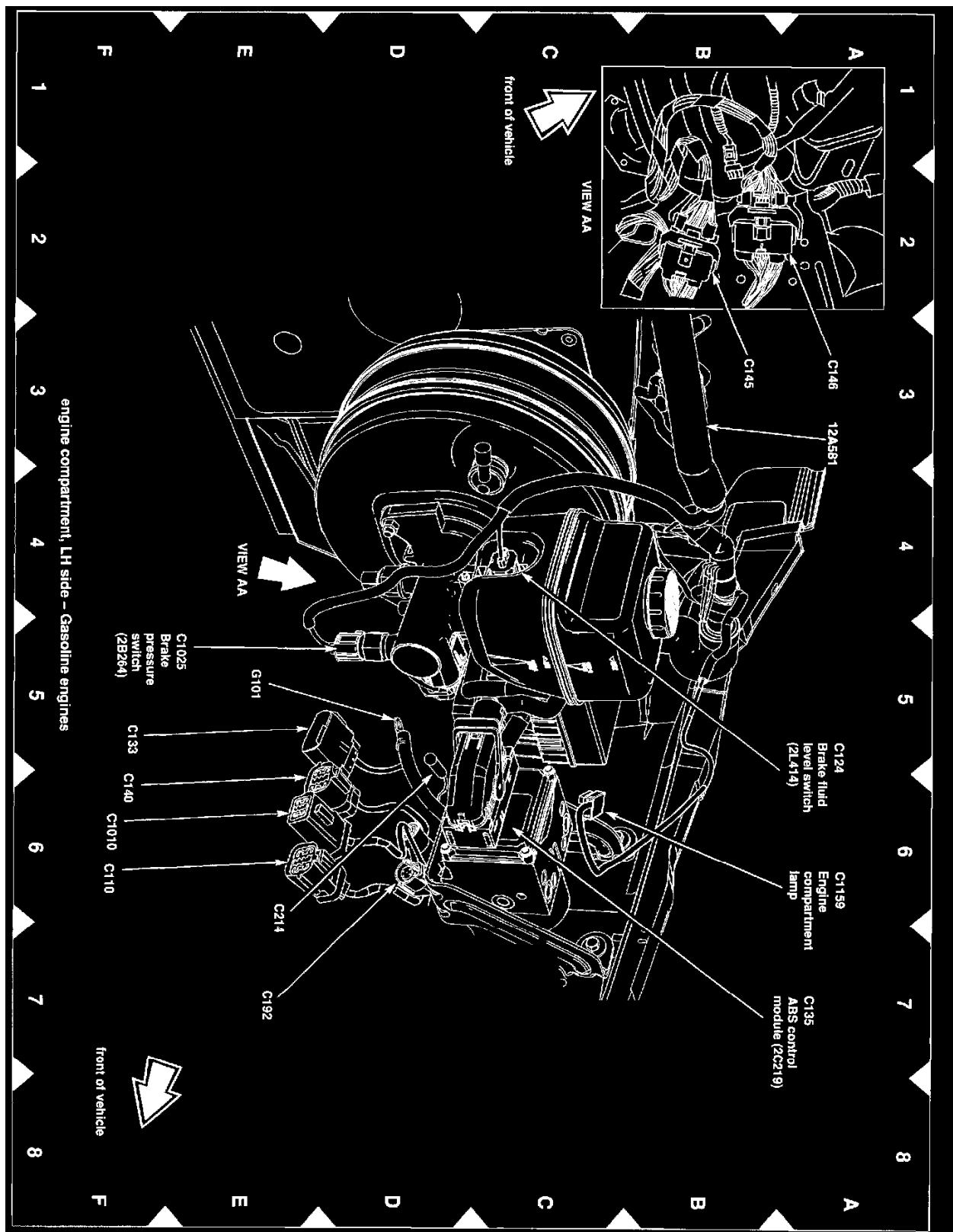
S417-S2300



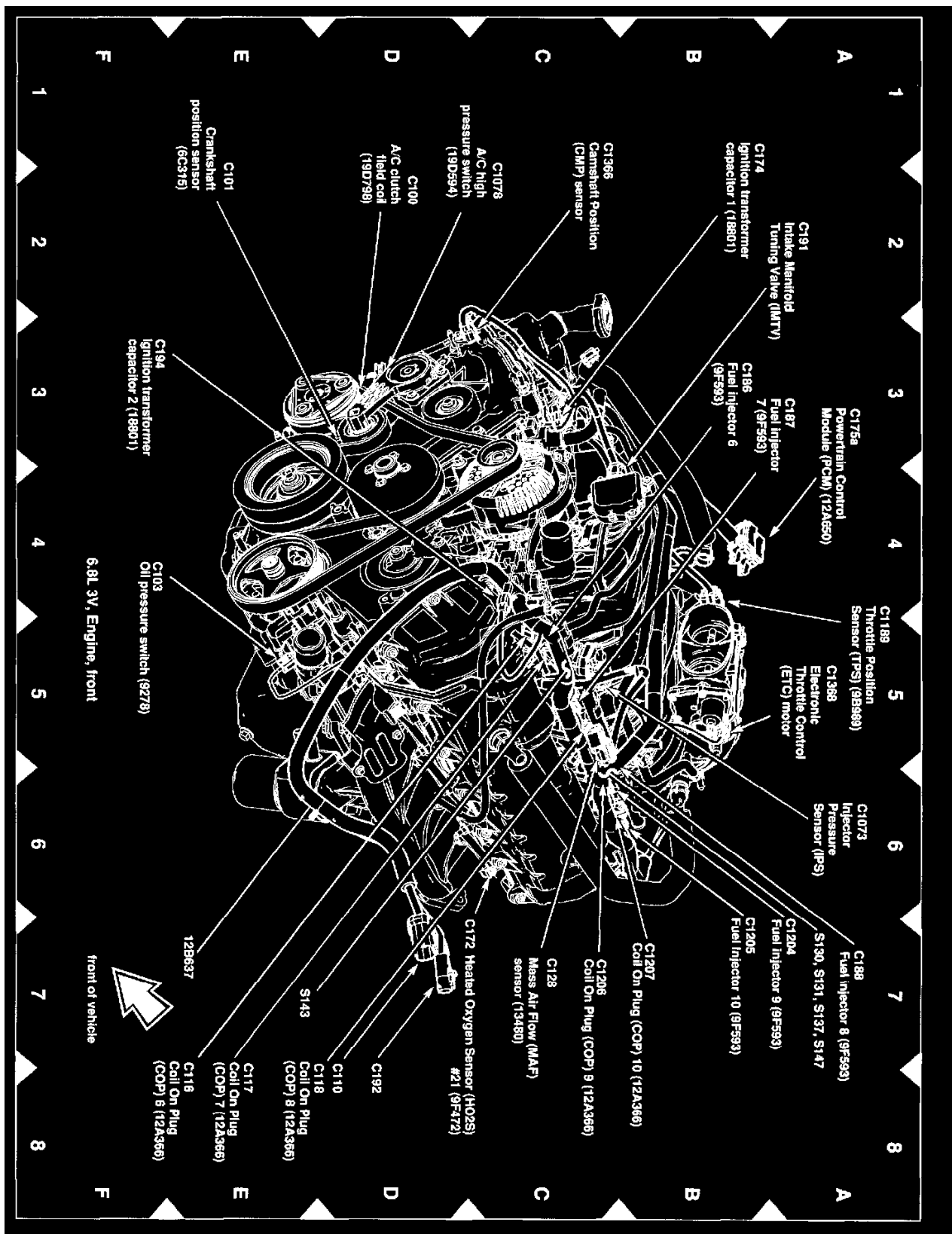
View 151-1 (Engine Compartment)



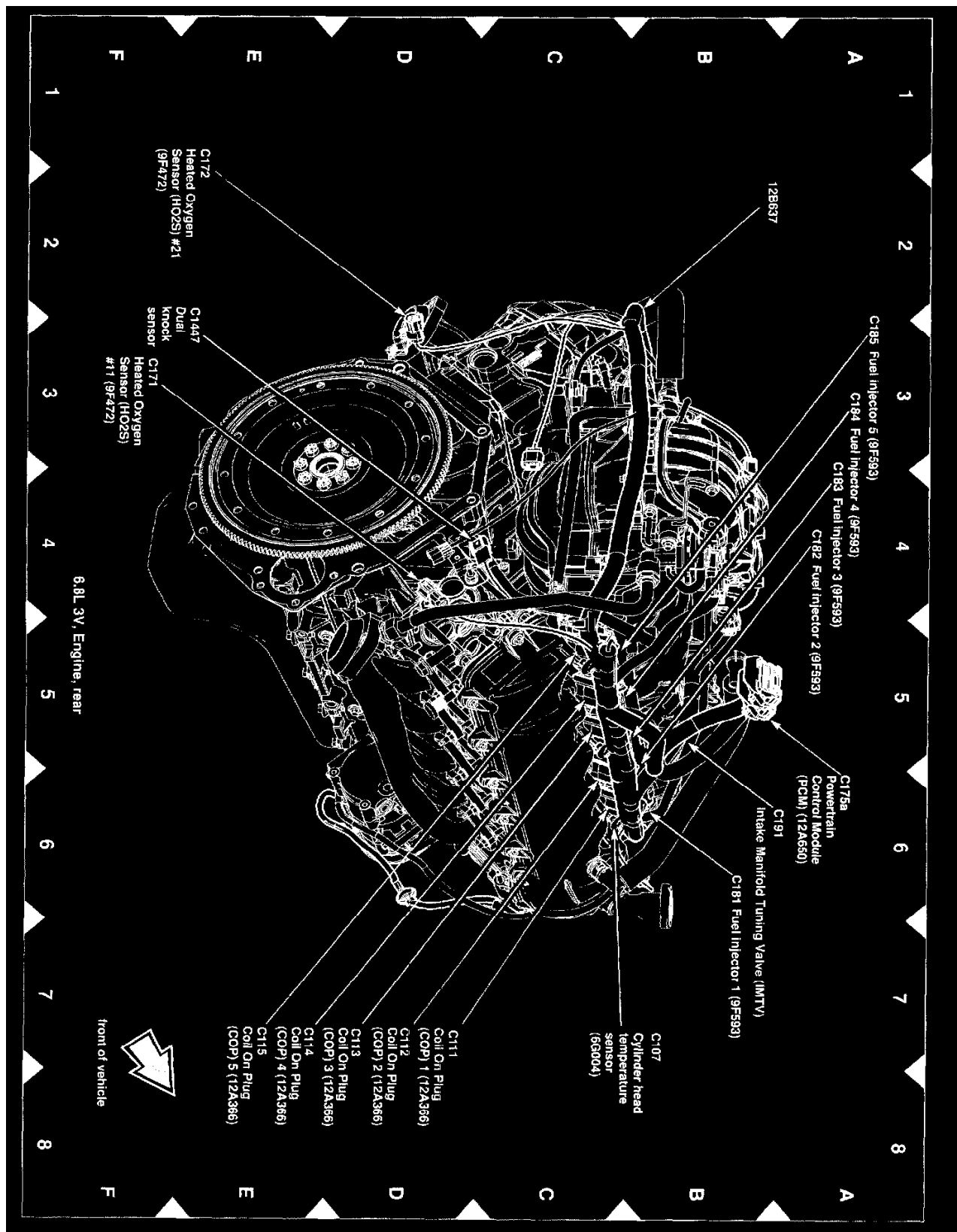
View 151-2 (Engine Compartment)



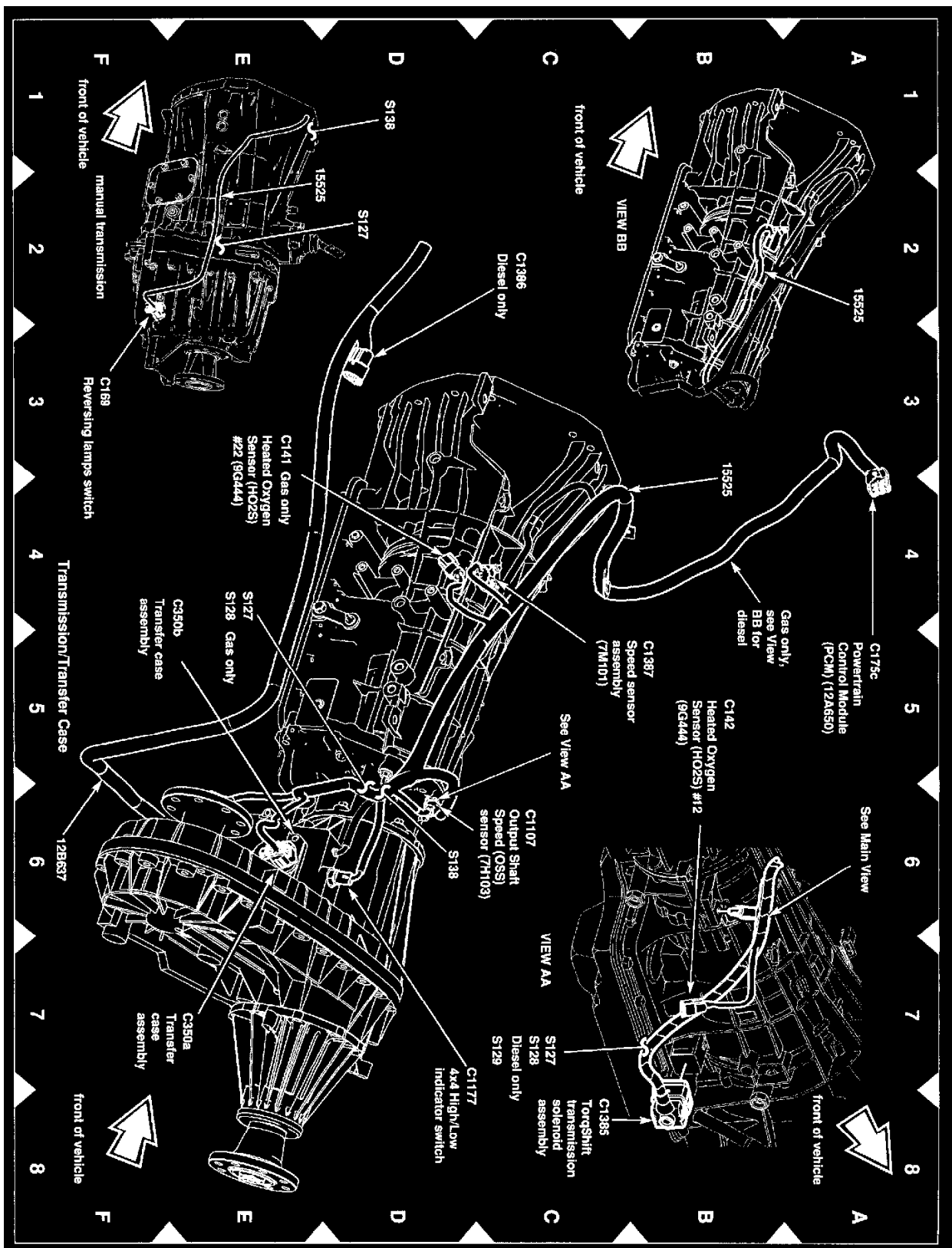
View 151-6 (Engine Compartment, LH Side)



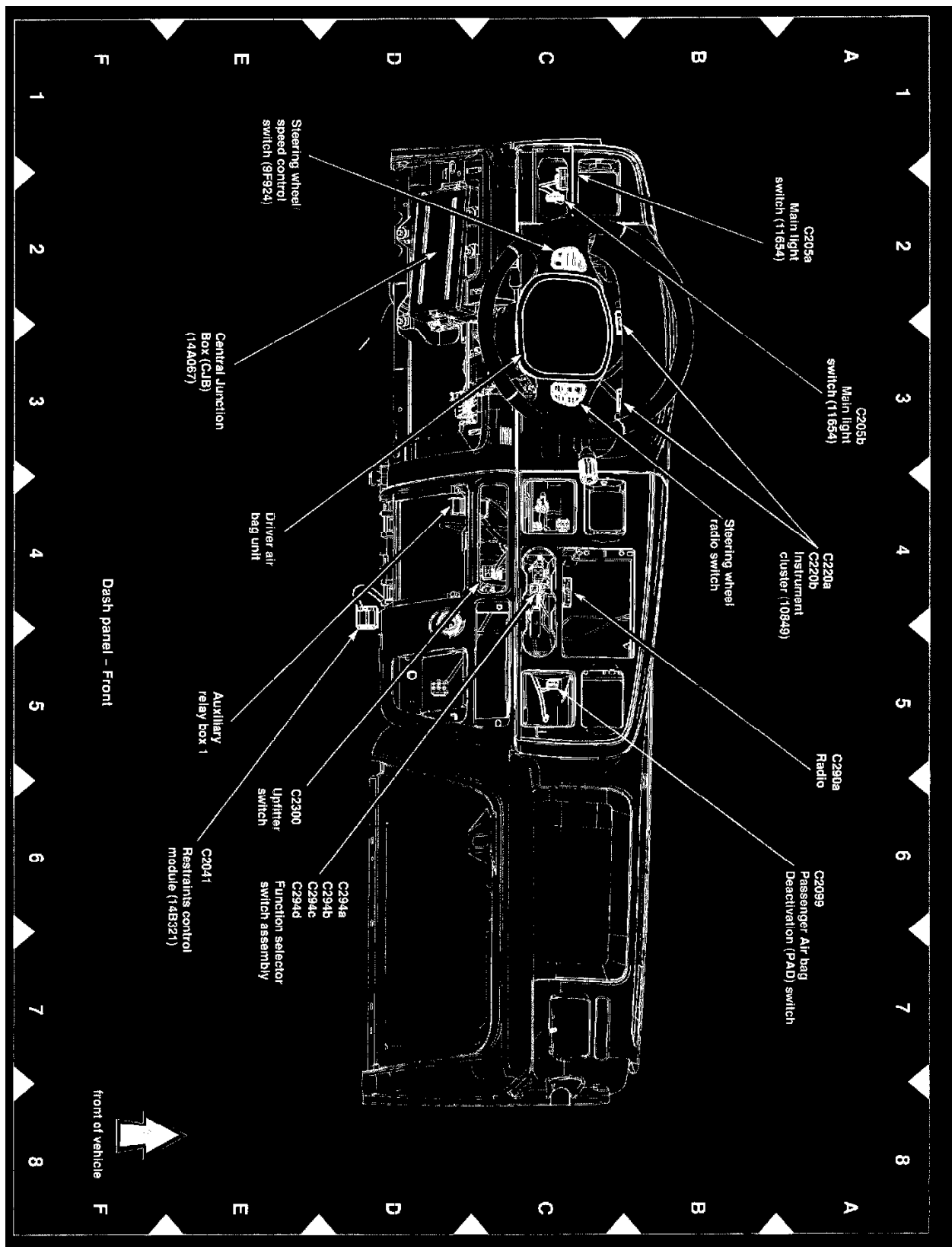
View 151-10 (Engine, Front)



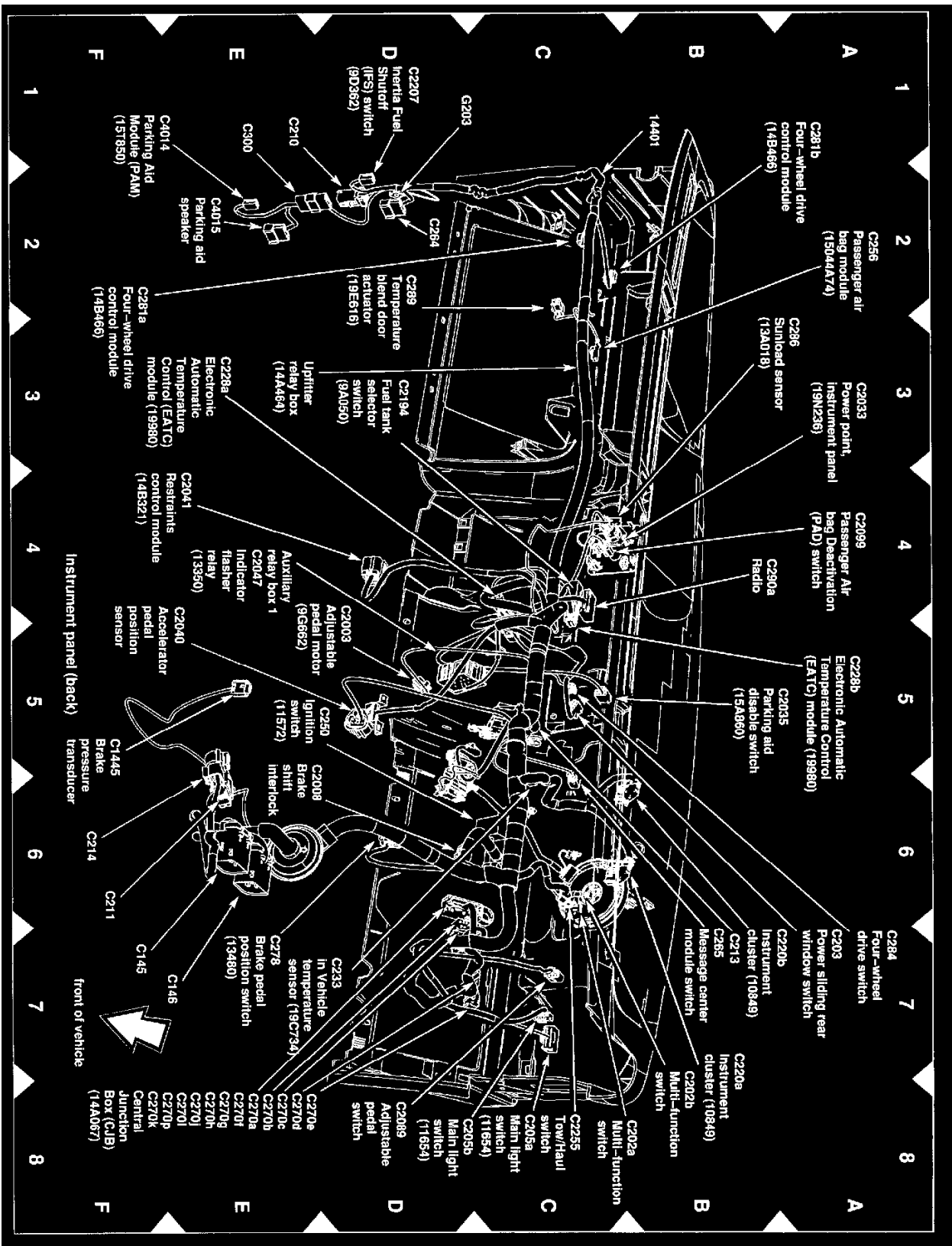
View 151-11 (Engine, Rear)



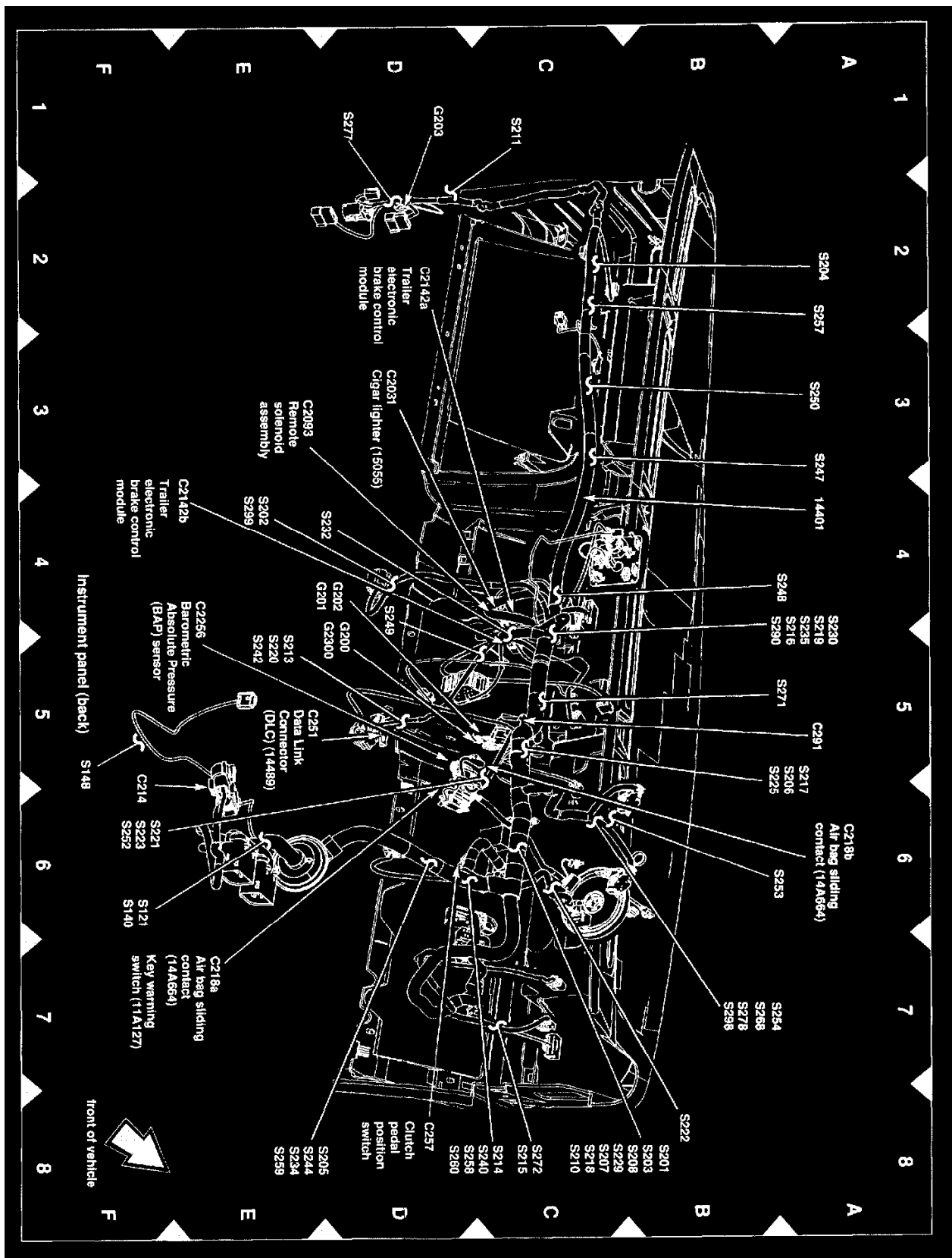
View 151-14 (Transmission/Transfer Case)



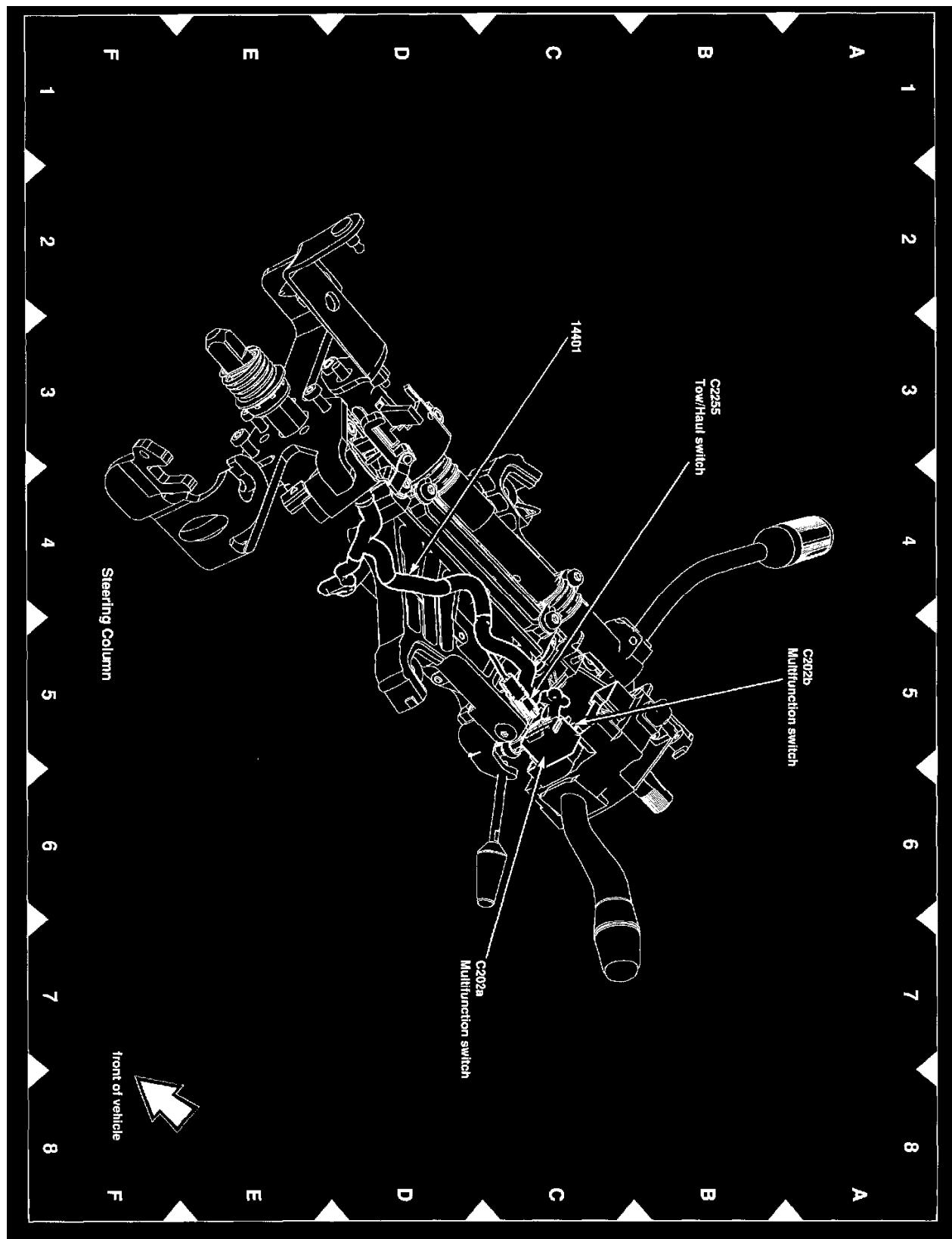
View 151-15 (Dash Panel - Front)



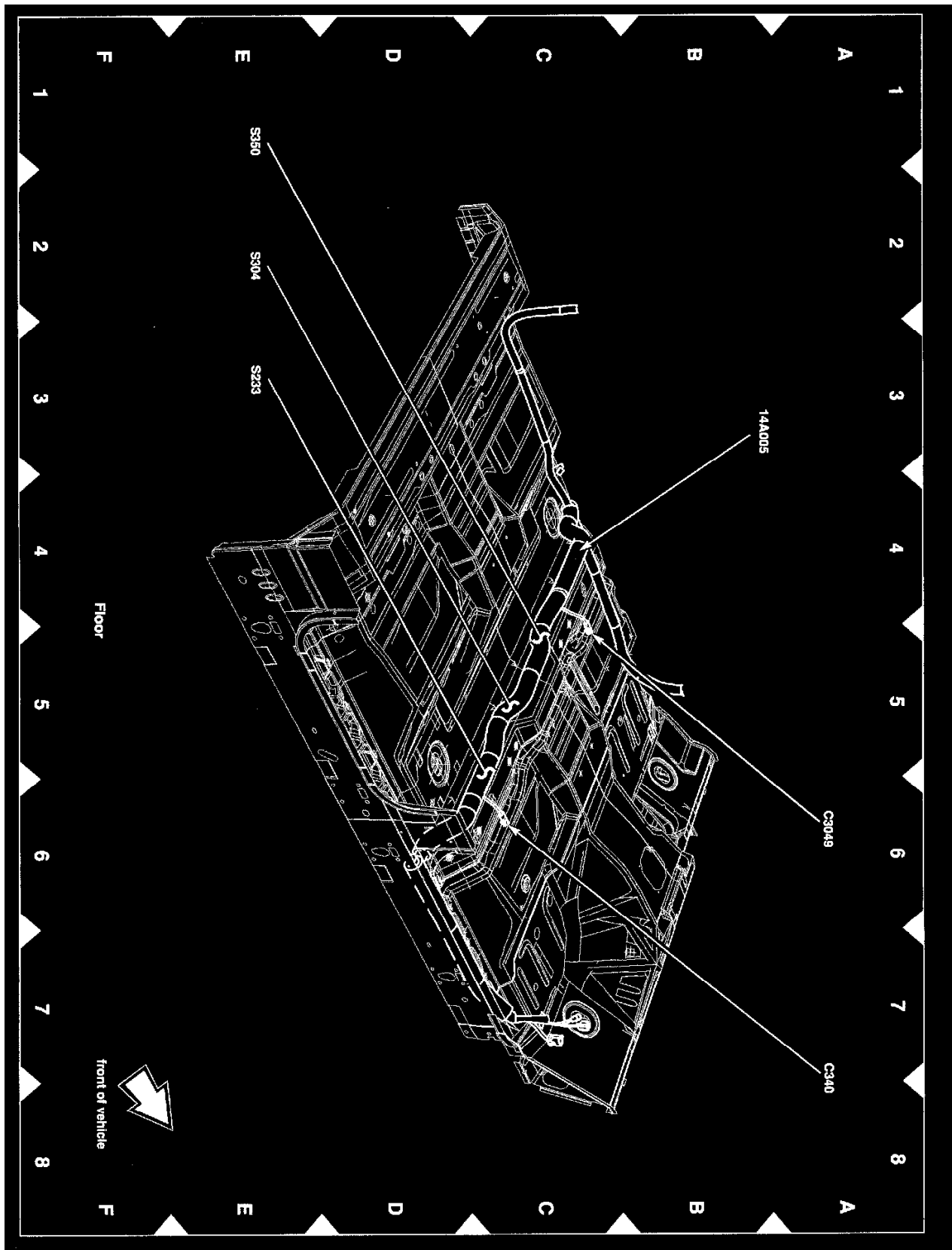
View 151-16 (Instrument Panel (Back))



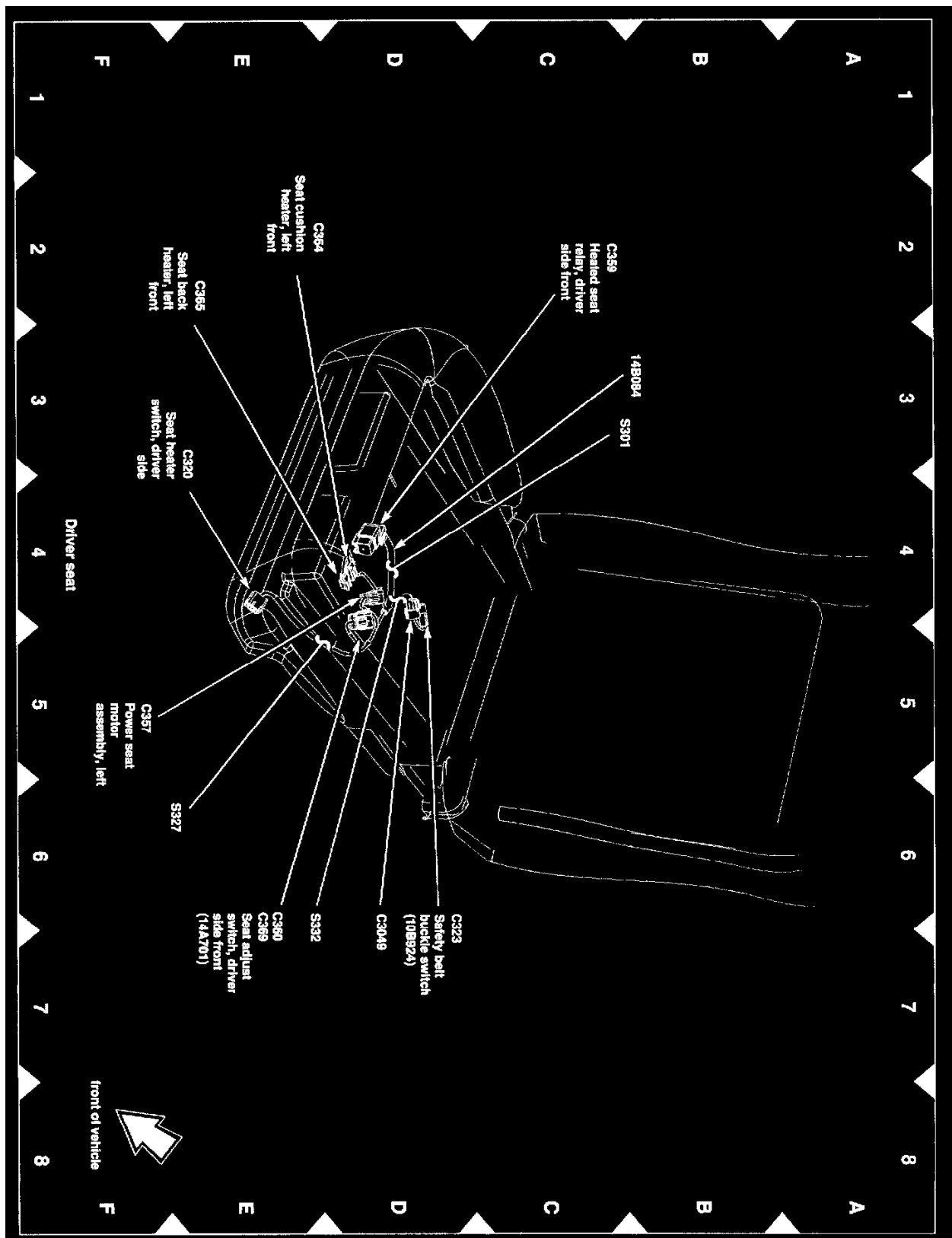
View 151-17 (Instrument Panel (Back))



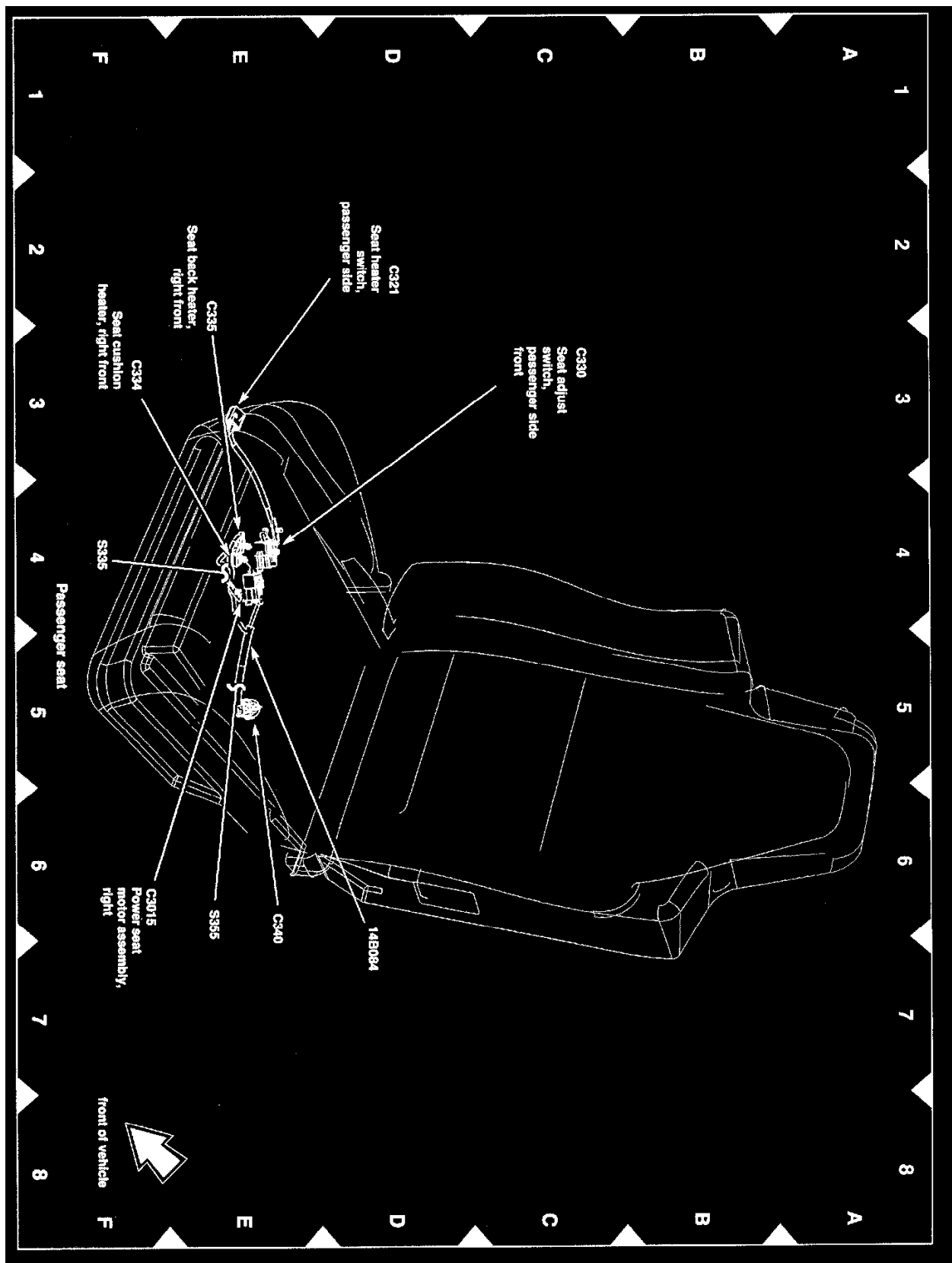
View 151-18 (Steering Column)



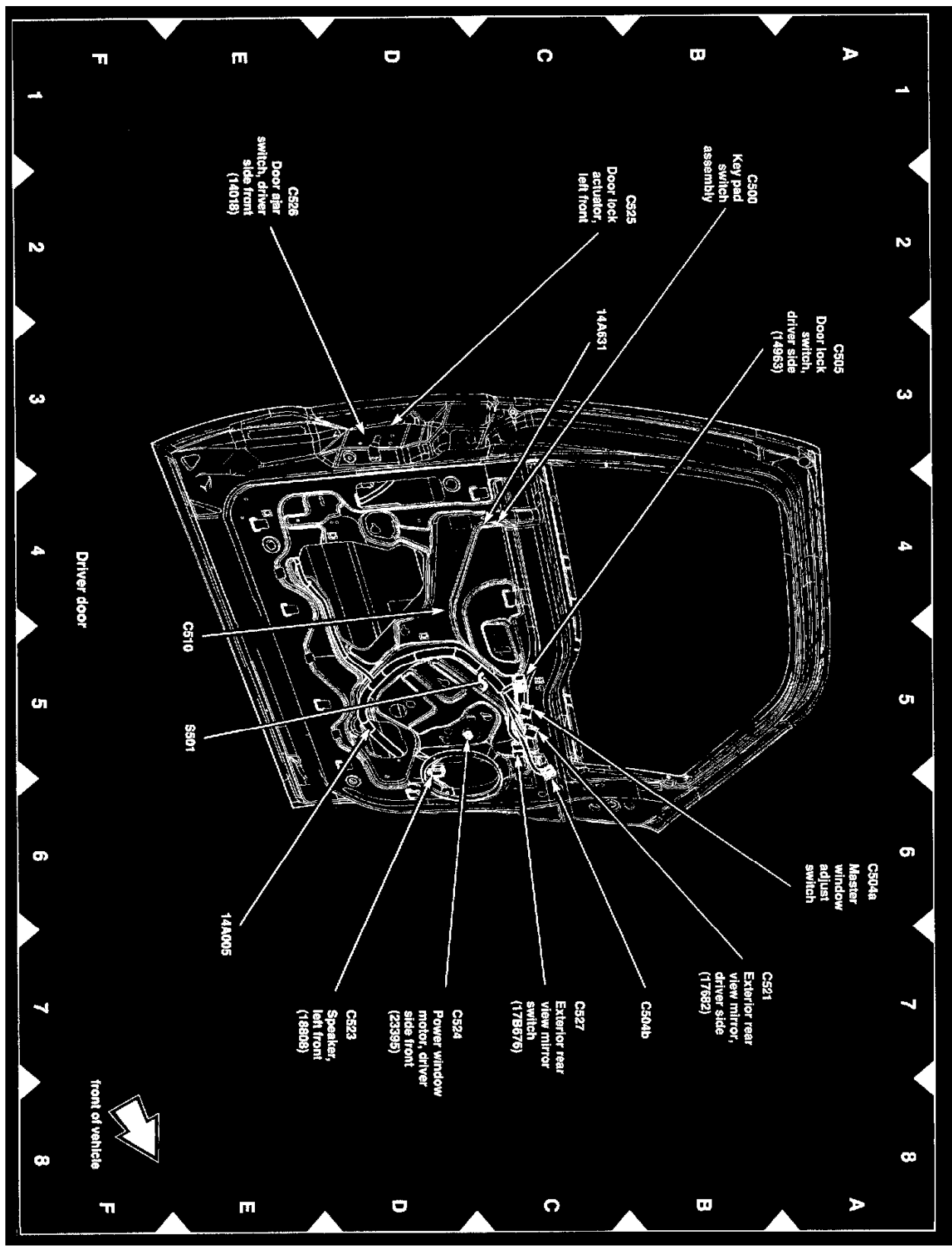
View 151-19 (Floor)



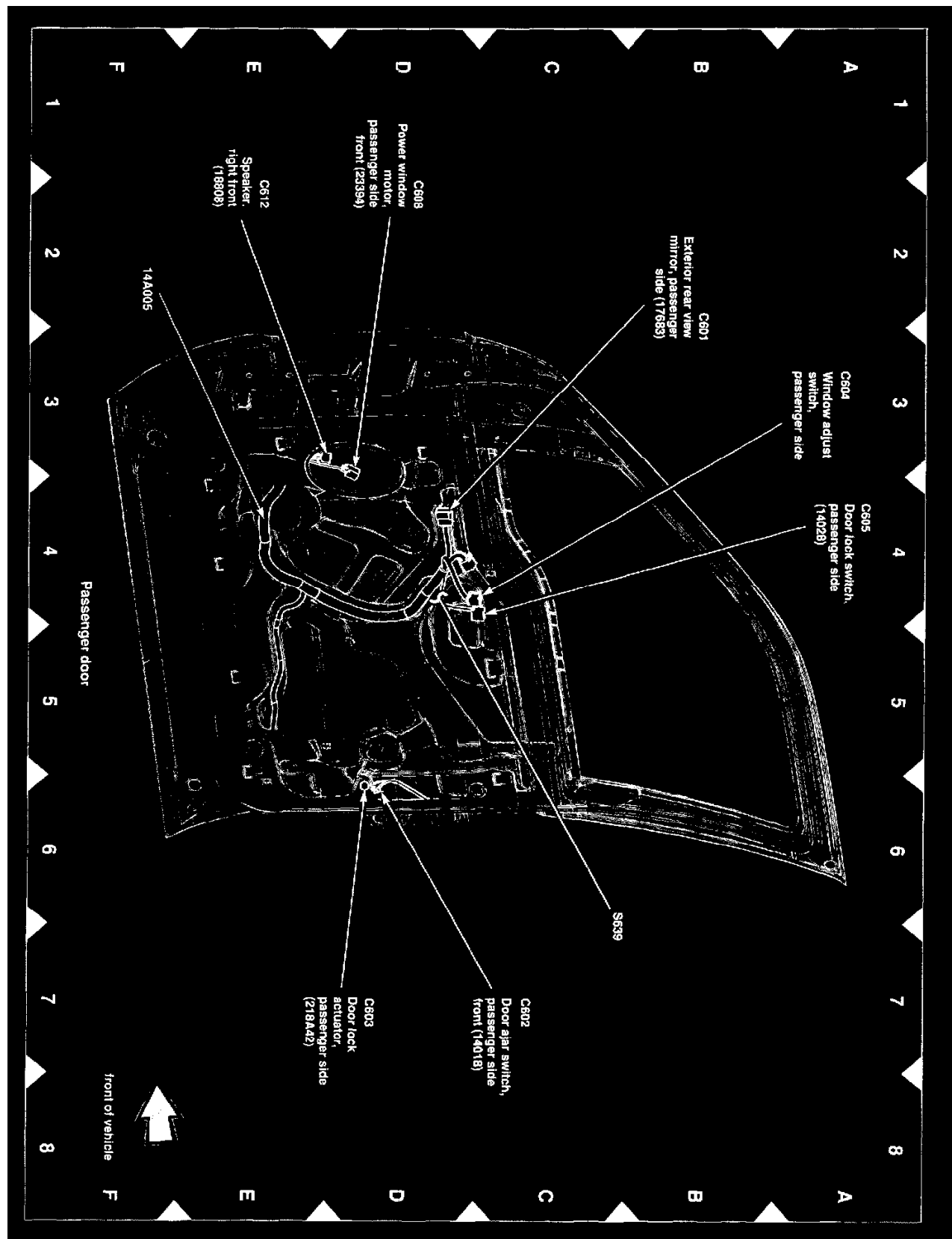
View 151-20 (Driver Seat)



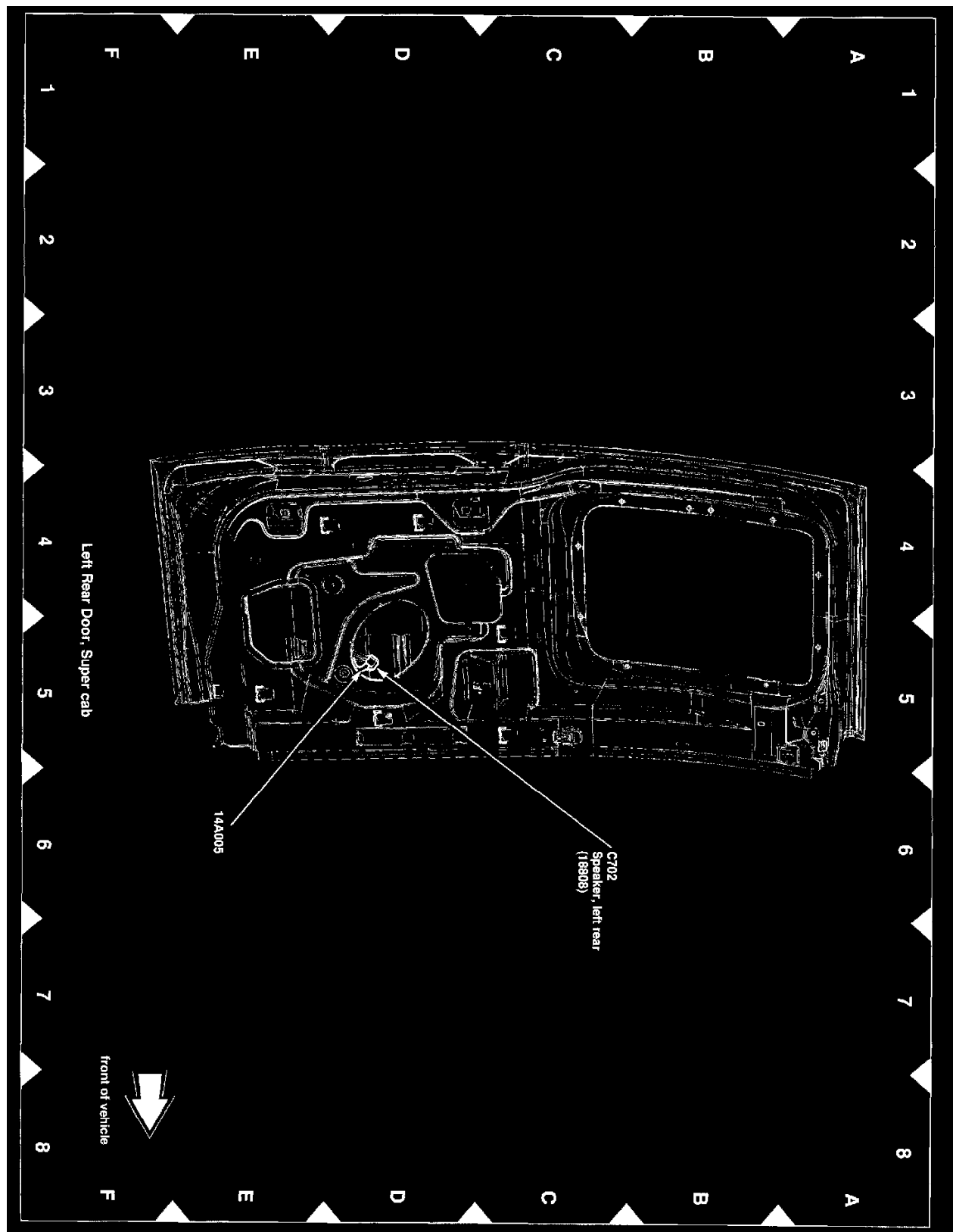
View 151-21 (Passenger Seat)



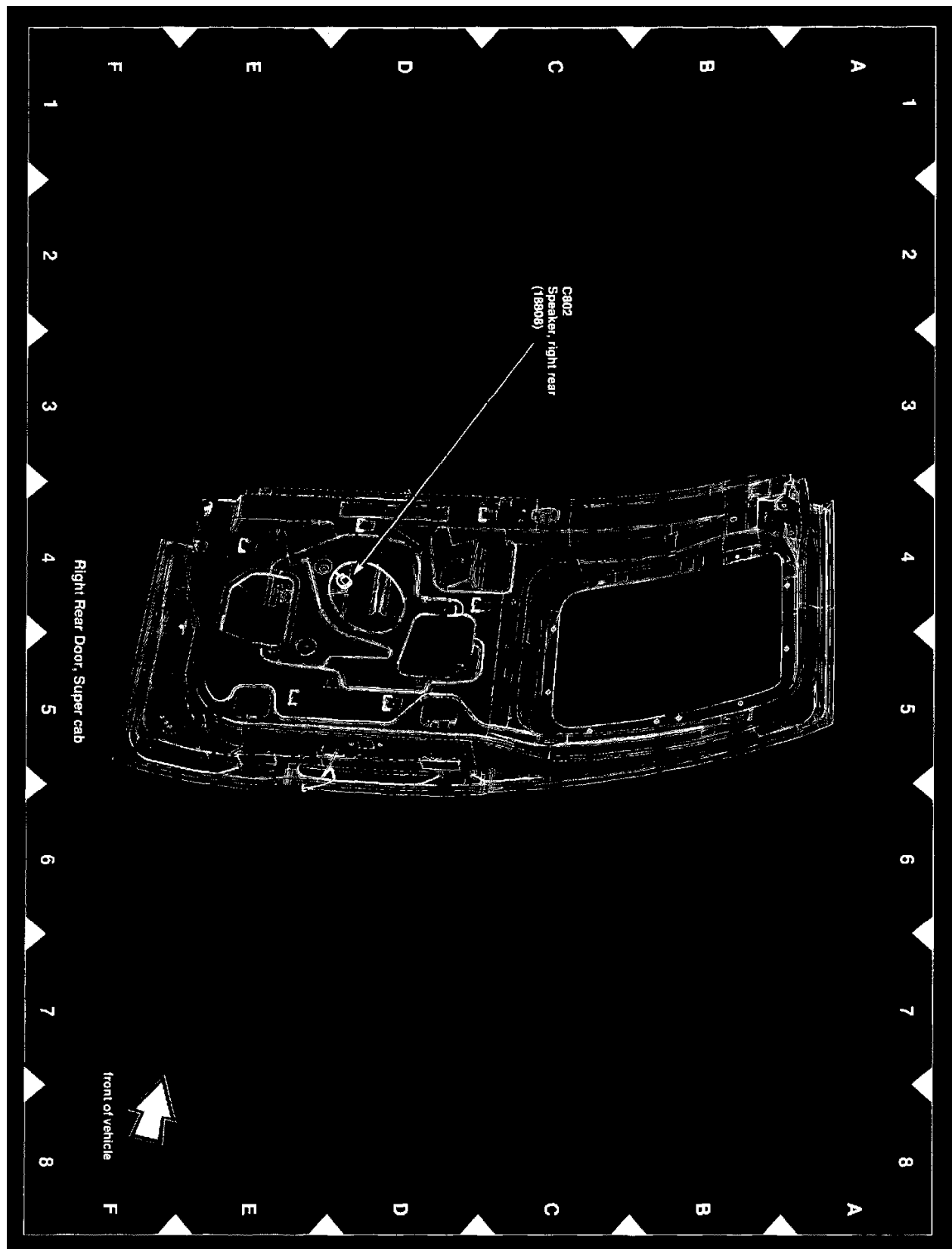
View 151-22 (Driver Door)



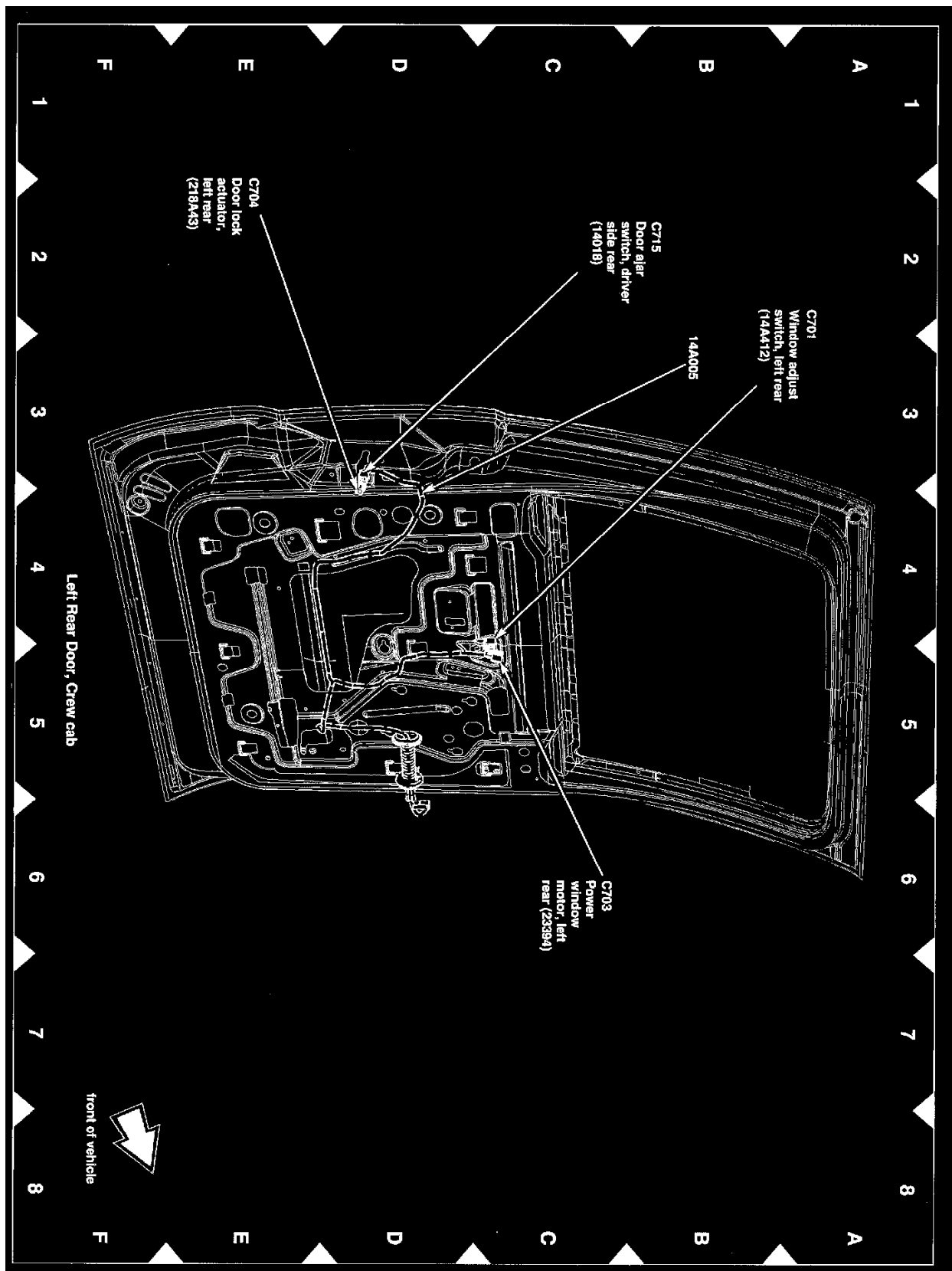
View 151-23 (Passenger Door)



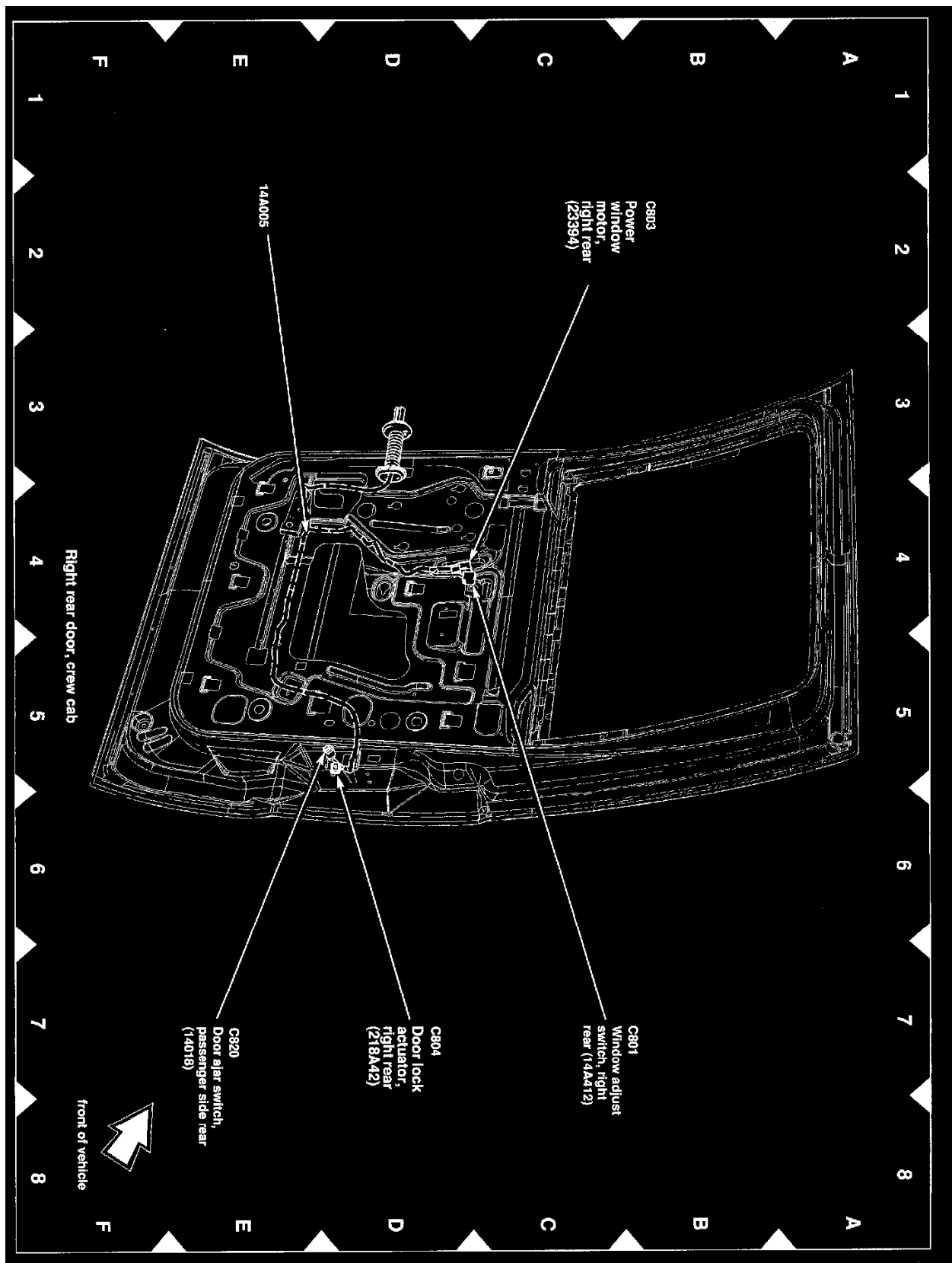
View 151-24 (Left Rear Door, Super Cab)



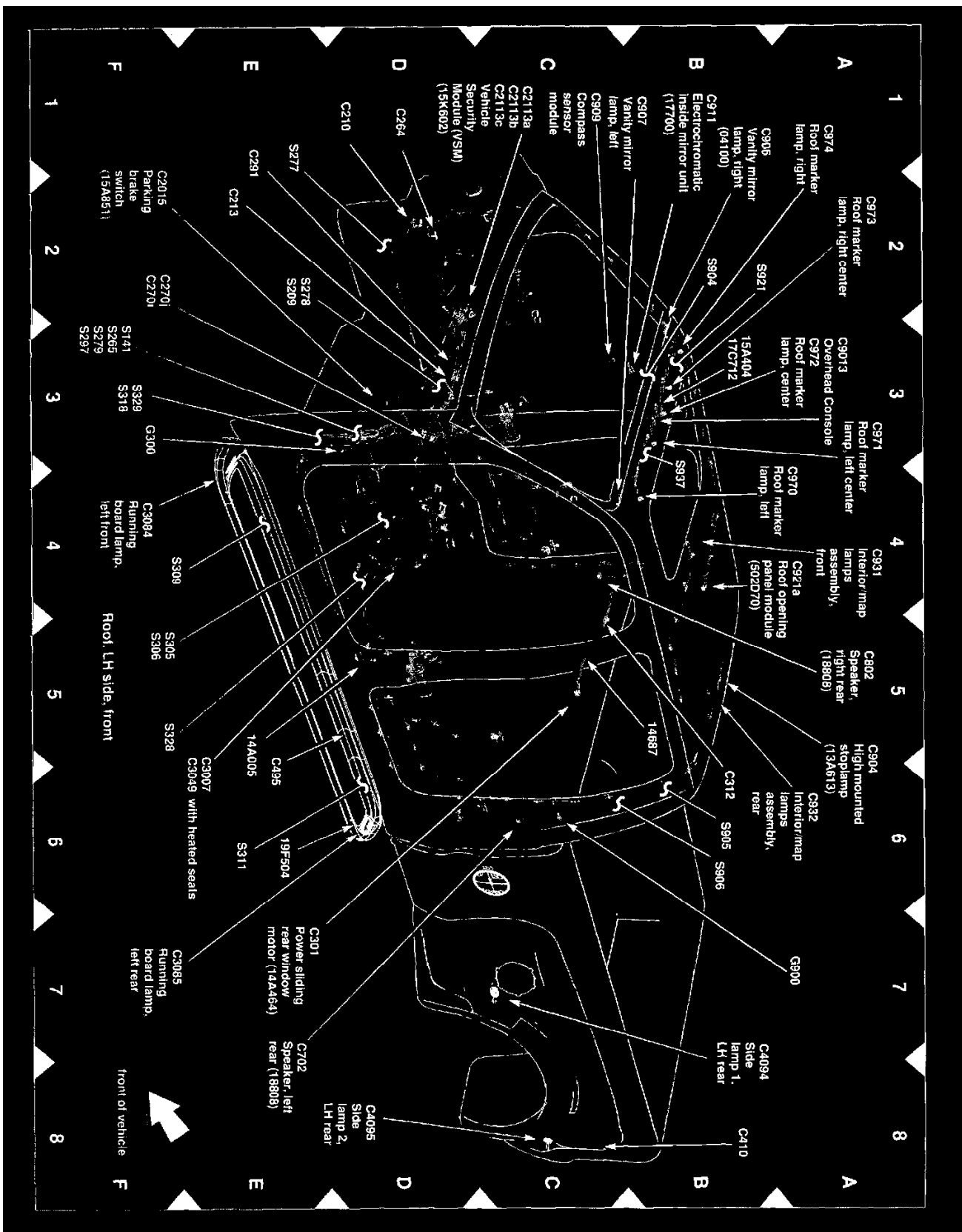
View 151-25 (Right Rear Door, Super Cab)



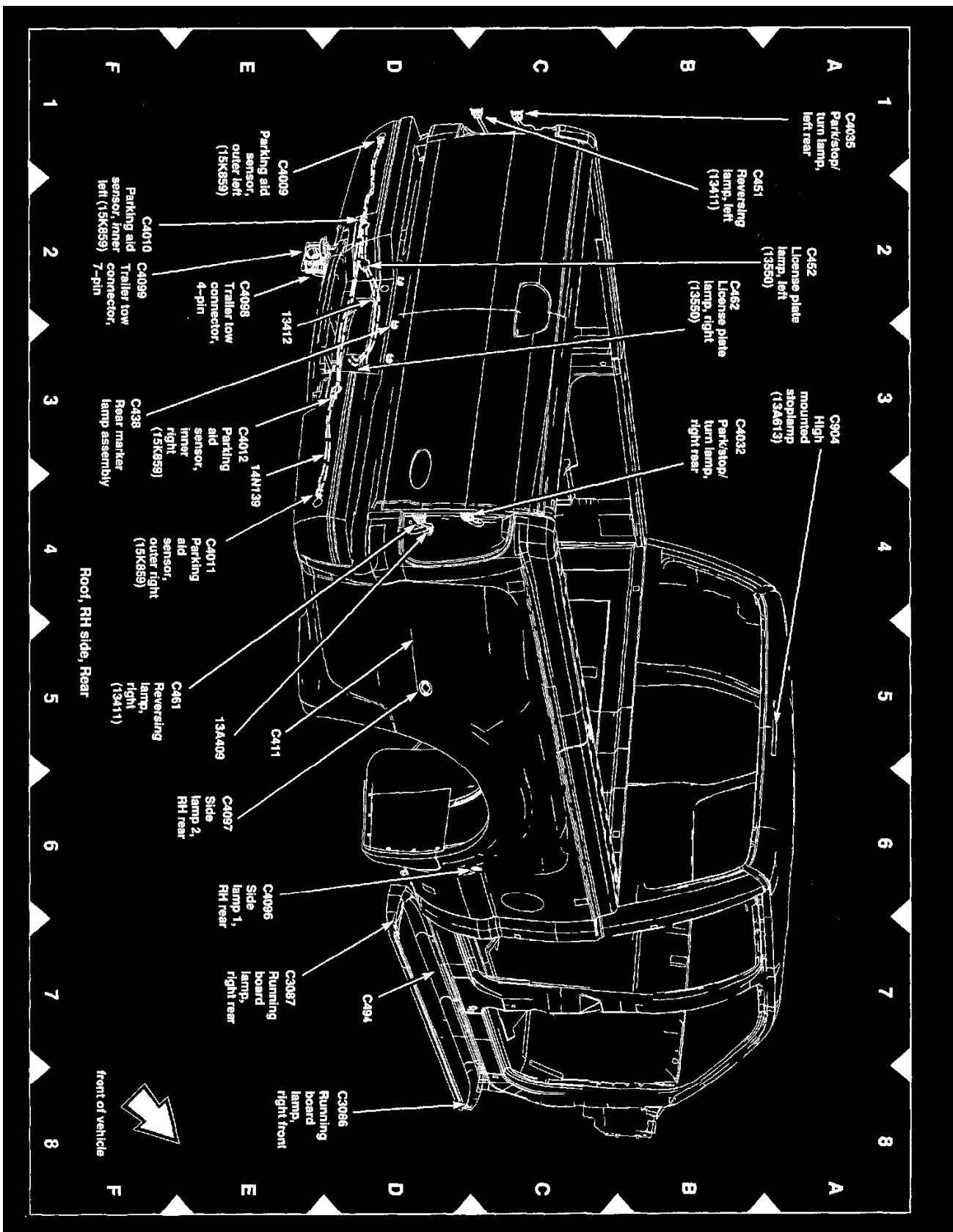
View 151-26 (Left Rear Door, Crew Cab)



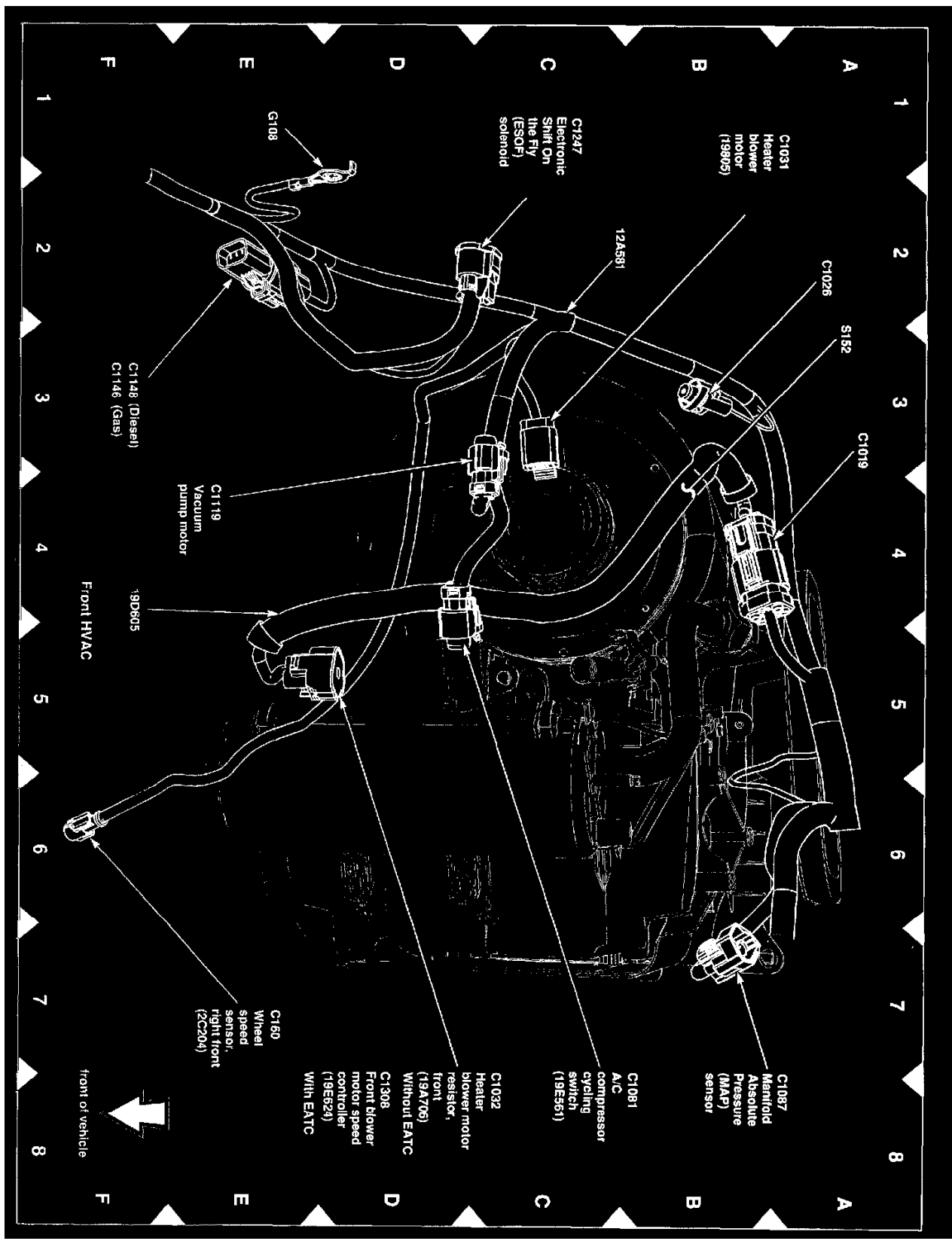
View 151-27 (Right Rear Door, Crew Cab)



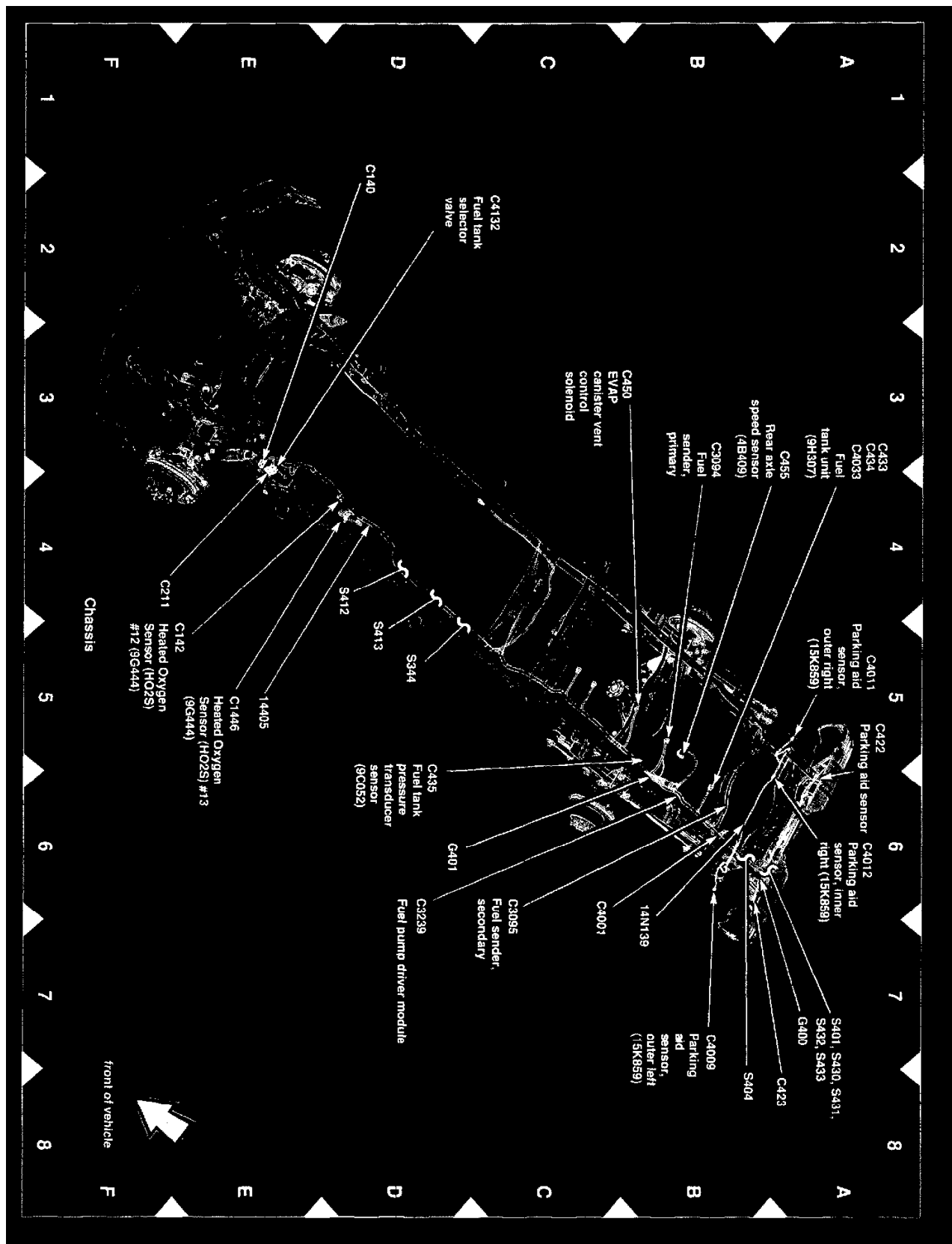
View 151-28 (Roof, LH Side, Front)



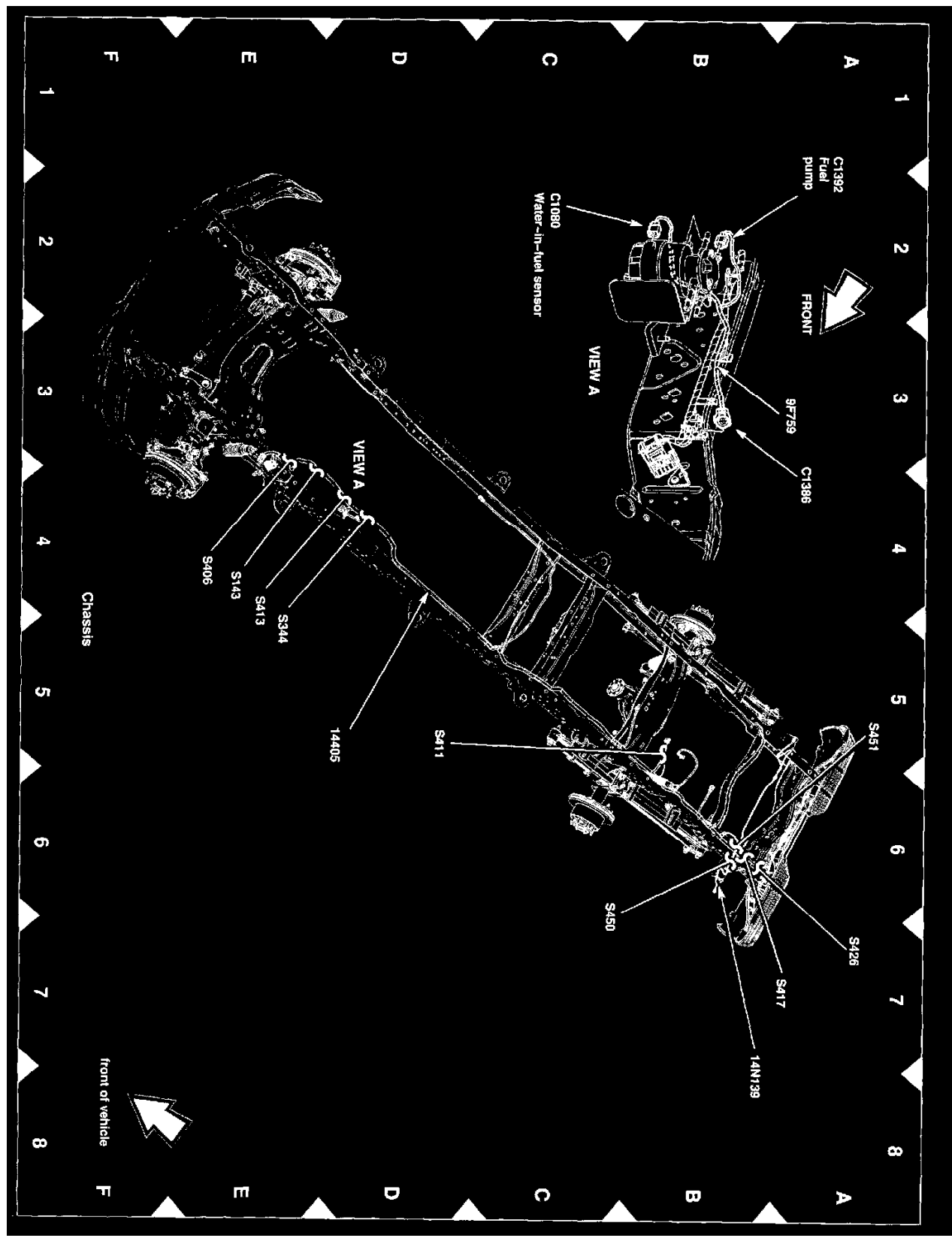
View 151-29 (Roof, RH Side, Rear)



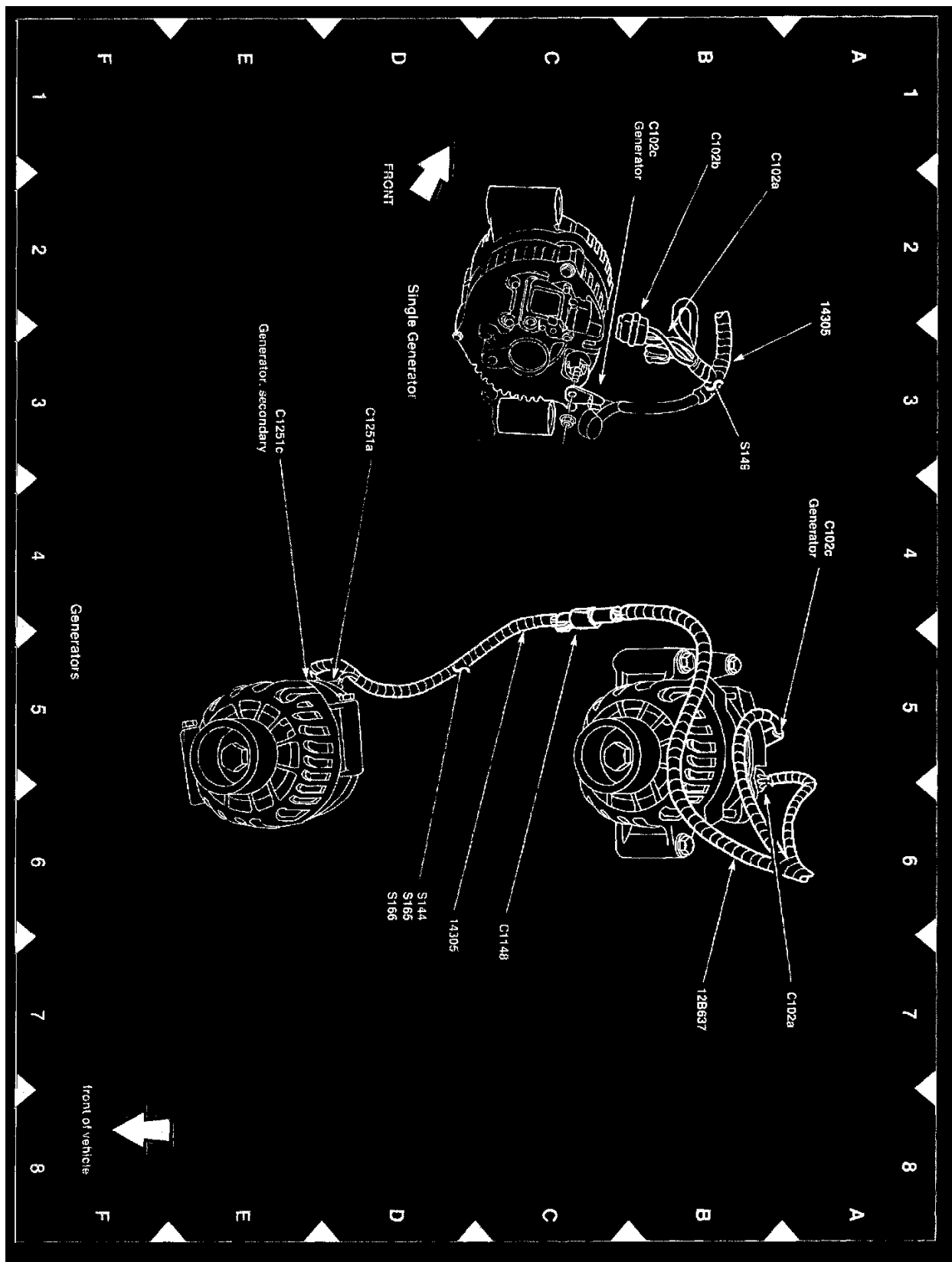
View 151-30 (Front HVAC)



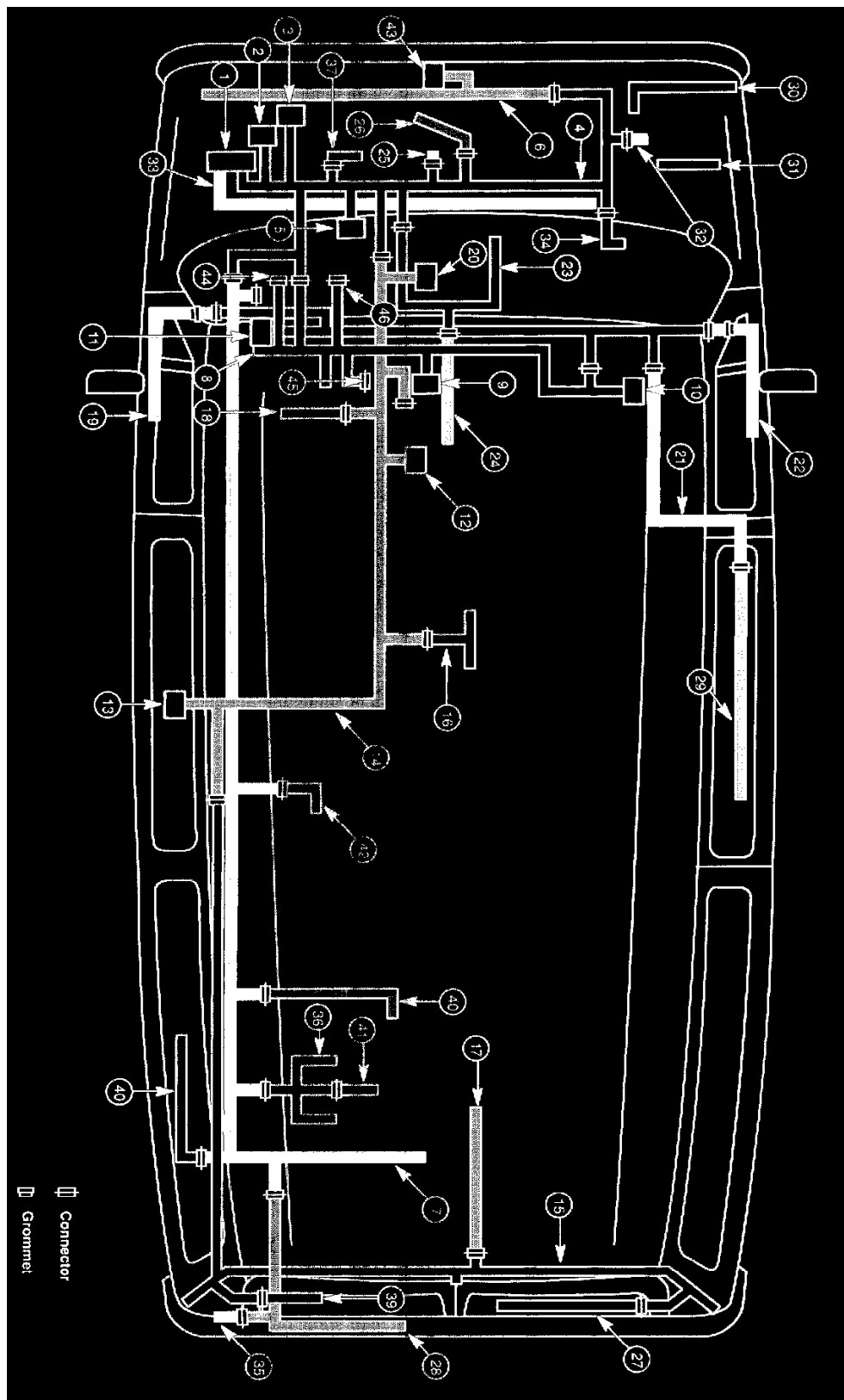
View 151-31 (Chassis)



View 151-32 (Chassis)



View 151-33 (Generators)



Wiring Harness Overview Part 1

Item	Description	Item	Description
1	Wiring harness - Engine control sensor	17	Wiring harness - Tail lamps
2	Wiring harness - Engine control sensor and fuel charge	18	Wiring harness - Trailer lamp feed
3	Wiring harness - Engine control sensor extension	19	Wiring harness - Cylinder head temperature sensor
4	Wiring harness - Starter motor relay and battery ground	20	Wiring harness - Backup alarm jumper
5	Wiring harness - Battery output	21	Wiring harness - Daytime Running Lamps (DRL) relay
6	Wiring harness - Alternator rectifier system	22	Wiring harness - Fog lamp jumper
7	Wiring harness - Starter motor relay and battery ground	23	Wiring harness - Parking aid sensor, front
8	Wiring harness - Main	24	Battery (10655)
9	Wiring harness - Body main	25	Battery II
10	Wiring harness - Passenger, driver seat jumper	26	Auxiliary relay box 1
11	Wiring harness - Passenger, driver seat jumper	27	Auxiliary relay box 2
12	Wiring harness - Backup lamp switch to rear lamp feed	28	Powertrain Control Module (PCM) (12A650)
13	Wiring harness - Overhead console	29	Central Junction Box (CJB) (14A069)
14	Wiring harness - Marker lamp to switch	30	Vehicle Security Module (VSM)
15	Wiring harness - Tail lamps	31	Electronic Automatic Temperature Control (EATC) module (19980)
16	Wiring harness - Running board lamps	32	Four-wheel drive control module
	Wiring harness - Rear license plate lamp	33	Parking Aid Module (PAM) (15K966)

## Wiring Harness Overview Part 2

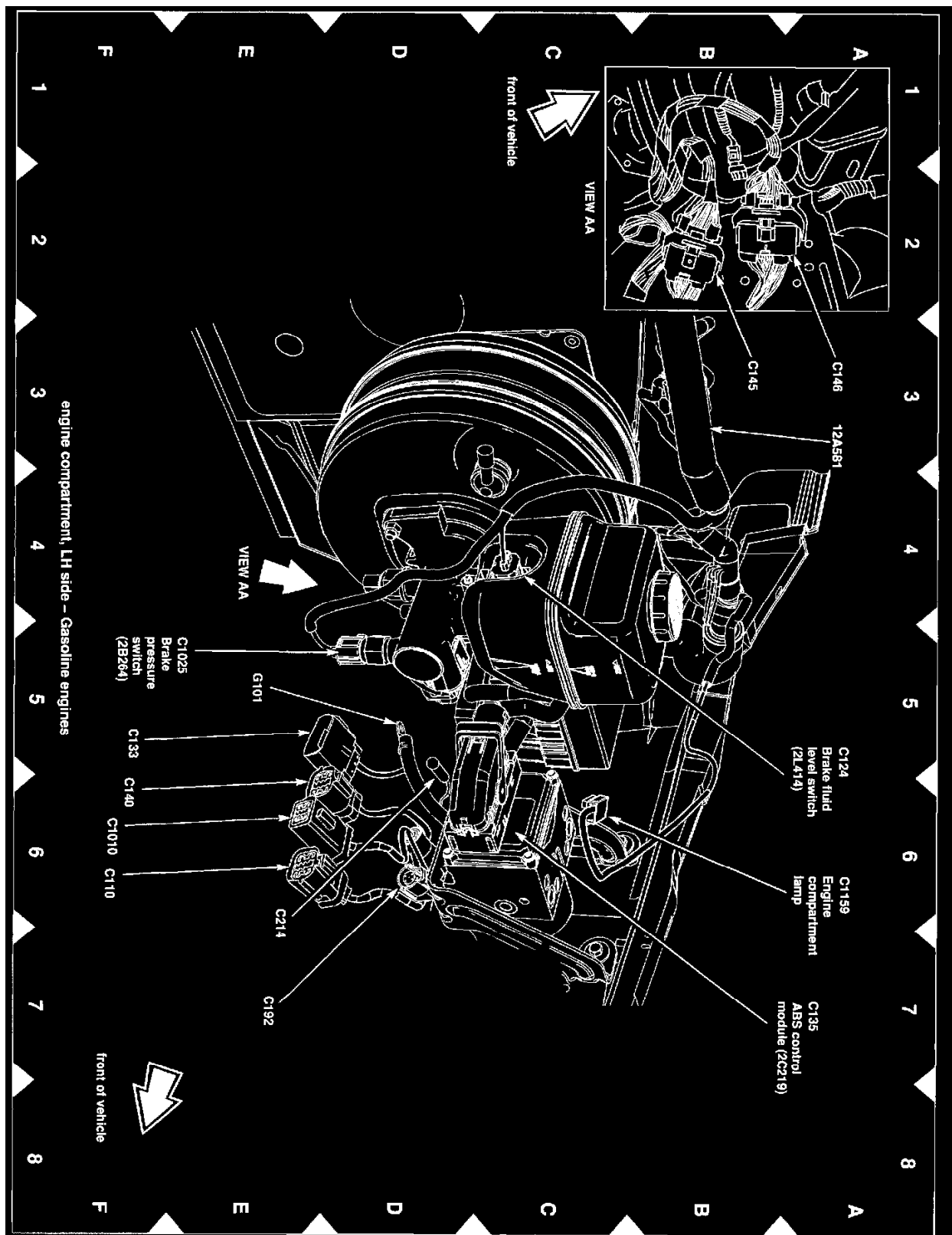
### Harness Location Index

**PLEASE NOTE:** If a link on the Harness Location Index to a View is not provided, that means that the Harness and/or View in question does NOT apply to the vehicle model selected.

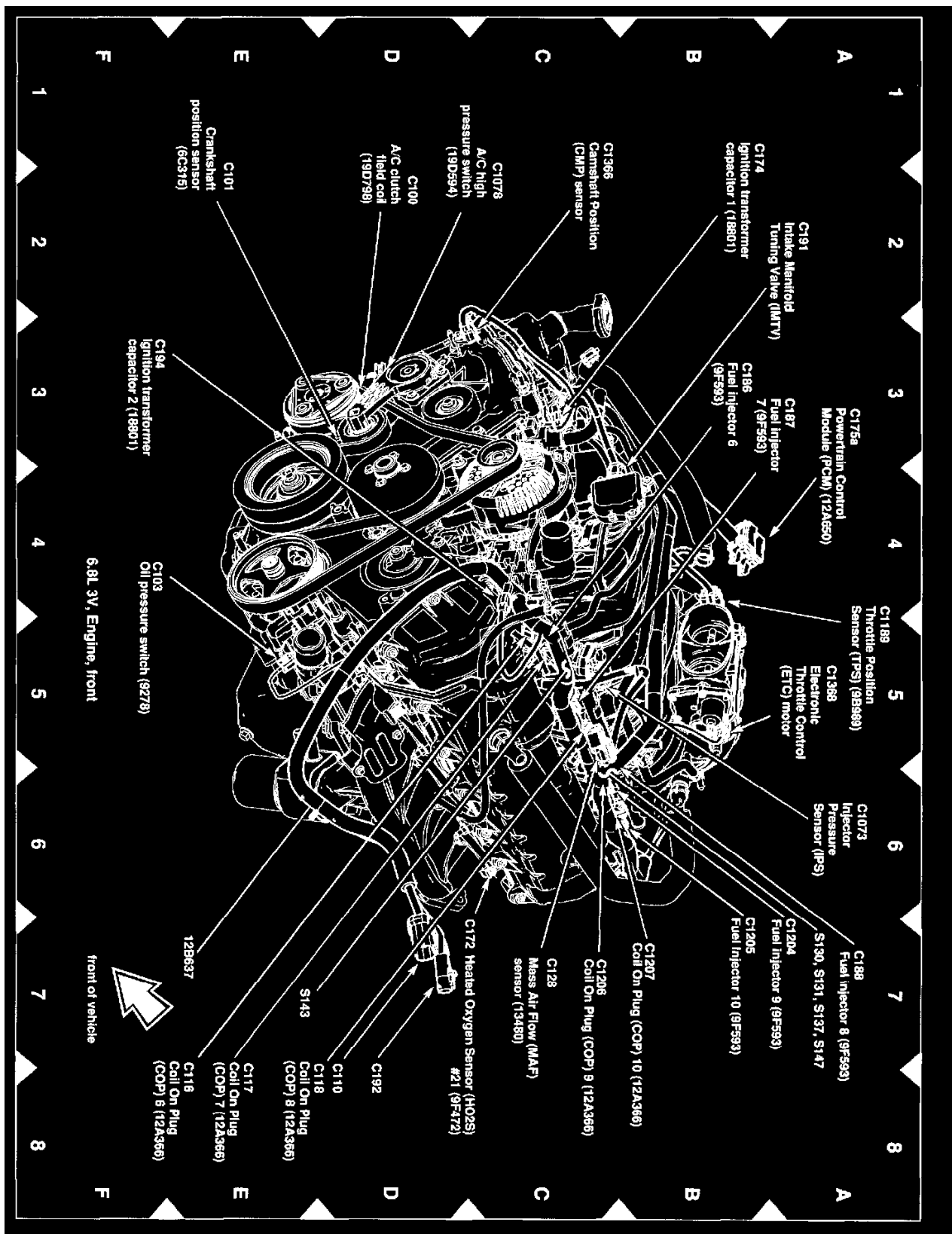
Wiring Harness		View 151 -*/coordinates	
Location			
13412	Wiring harness - Rear license lamp	29-	D2
14300	Wiring harness - Battery output	3-	E3
14301	Wiring harness - Junction block to engine ground	3-	C2
14305	Wiring harness - Alternator rectifier system	33-	A2
14305	Wiring harness - Alternator rectifier system	33-	C5
14401	Wiring harness - Main	16-	B1
14401	Wiring harness - Main	17-	A4
14401	Wiring harness - Main	18-	C2
14405	Wiring harness - Tail lamps	31-	E5
14405	Wiring harness - Tail lamps	32-	D5
9F759	Wiring harness - Fuel vapor purge solenoid jumper	32-	A3
14687	Wiring harness - Power sliding rear window jumper	28-	B5
15525	Wiring harness - Back up lamp switch to rear lamp feed	14-	B3
15525	Wiring harness - Back up lamp switch to rear lamp feed	14-	A3
12A581	Wiring harness - Engine control sensor	1-	E3
12A581	Wiring harness - Engine control sensor	3-	B4
12A581	Wiring harness - Engine control sensor	5-	A3
12A581	Wiring harness - Engine control sensor	6-	A3
12A581	Wiring harness - Engine control sensor	30-	C2
12B637	Wiring harness - Engine control sensor and fuel charge	7-	F5
12B637	Wiring harness - Engine control sensor and fuel charge	8-	B2
12B637	Wiring harness - Engine control sensor and fuel charge	9-	B2
12B637	Wiring harness - Engine control sensor and fuel charge	10-	E7
12B637	Wiring harness - Engine control sensor and fuel charge	13-	B4
12B637	Wiring harness - Engine control sensor and fuel charge	33-	B7
13A006	Wiring harness - Headlamp	1-	E2
13A006	Wiring harness - Headlamp	1-	D7
13A409	Wiring harness - Tail lamps	29-	E5
14A005	Wiring harness - Body main	19-	B4
14A005	Wiring harness - Body main	22-	E6
14A005	Wiring harness - Body main	23-	F2
14A005	Wiring harness - Body main	24-	E6
14A005	Wiring harness - Body main	26-	C3
14A005	Wiring harness - Body main	27-	F3
14A005	Wiring harness - Body main	28-	E6
14A631	Wiring harness - Door lock switch	22-	B1
14B060	Wiring harness - Starter motor relay and battery ground	3-	E3
14B084	Wiring harness - Passenger, driver seat jumper	20-	C3
14B084	Wiring harness - Passenger, driver seat jumper	21-	D7
14B102	Wiring harness - Cylinder head temperature sensor	8-	E2
14K073	Wiring harness - Temperature sender extension	1-	E6
14N139	Wiring harness - Backup alarm jumper	29-	E3
14N139	Wiring harness - Backup alarm jumper	31-	B6
14N139	Wiring harness - Backup alarm jumper	32-	B7
15A211	Wiring harness - Fog lamp jumper	3-	E4
15A404	Wiring harness - Marker lamp to switch	28-	A2
17C712	Wiring harness - Overhead console	28-	A2
19D605	Wiring harness - A/C blower motor feed extension	30-	F4
19F504	Wiring harness - running board lamps	28-	E6



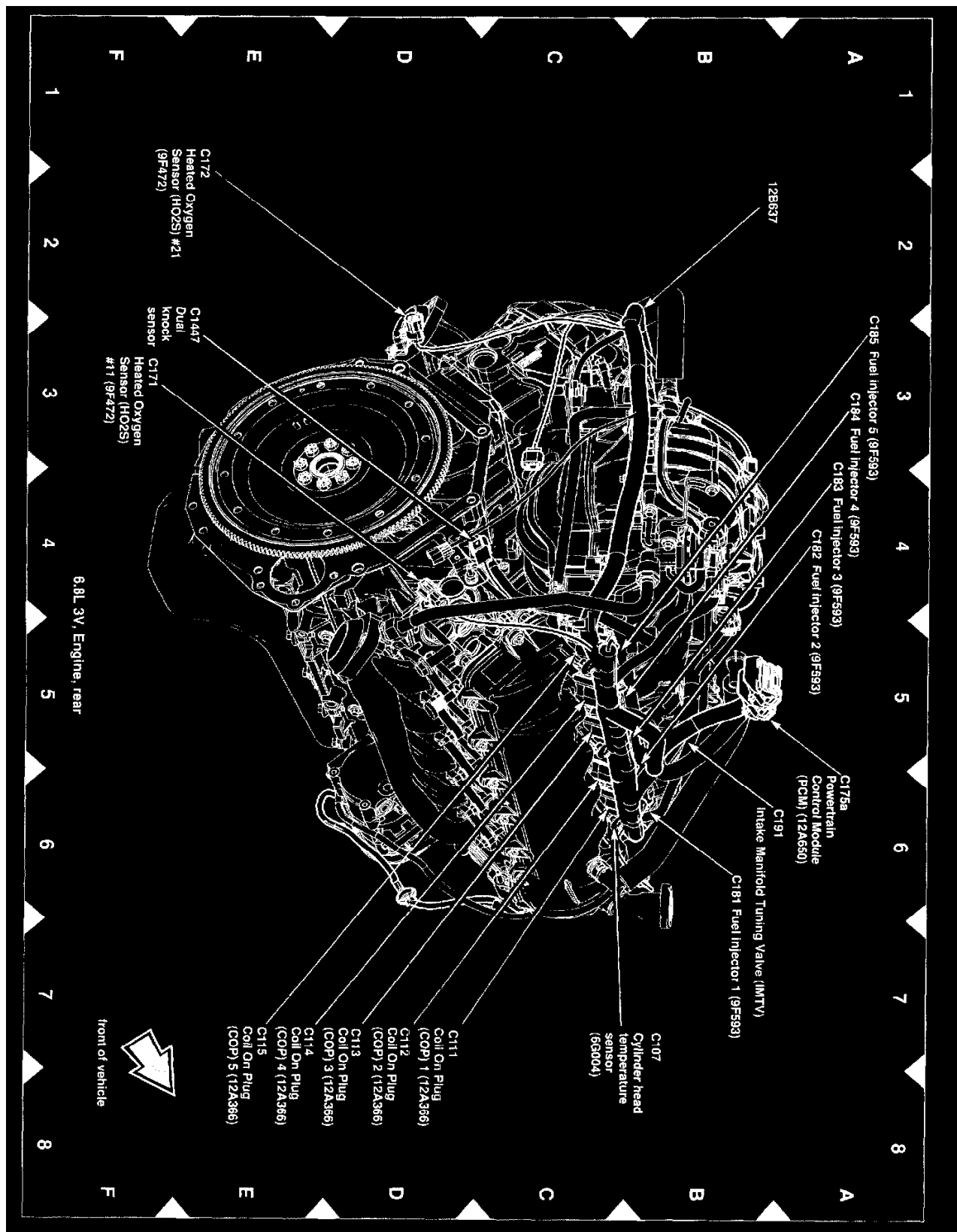




View 151-6 (Engine Compartment, LH Side)

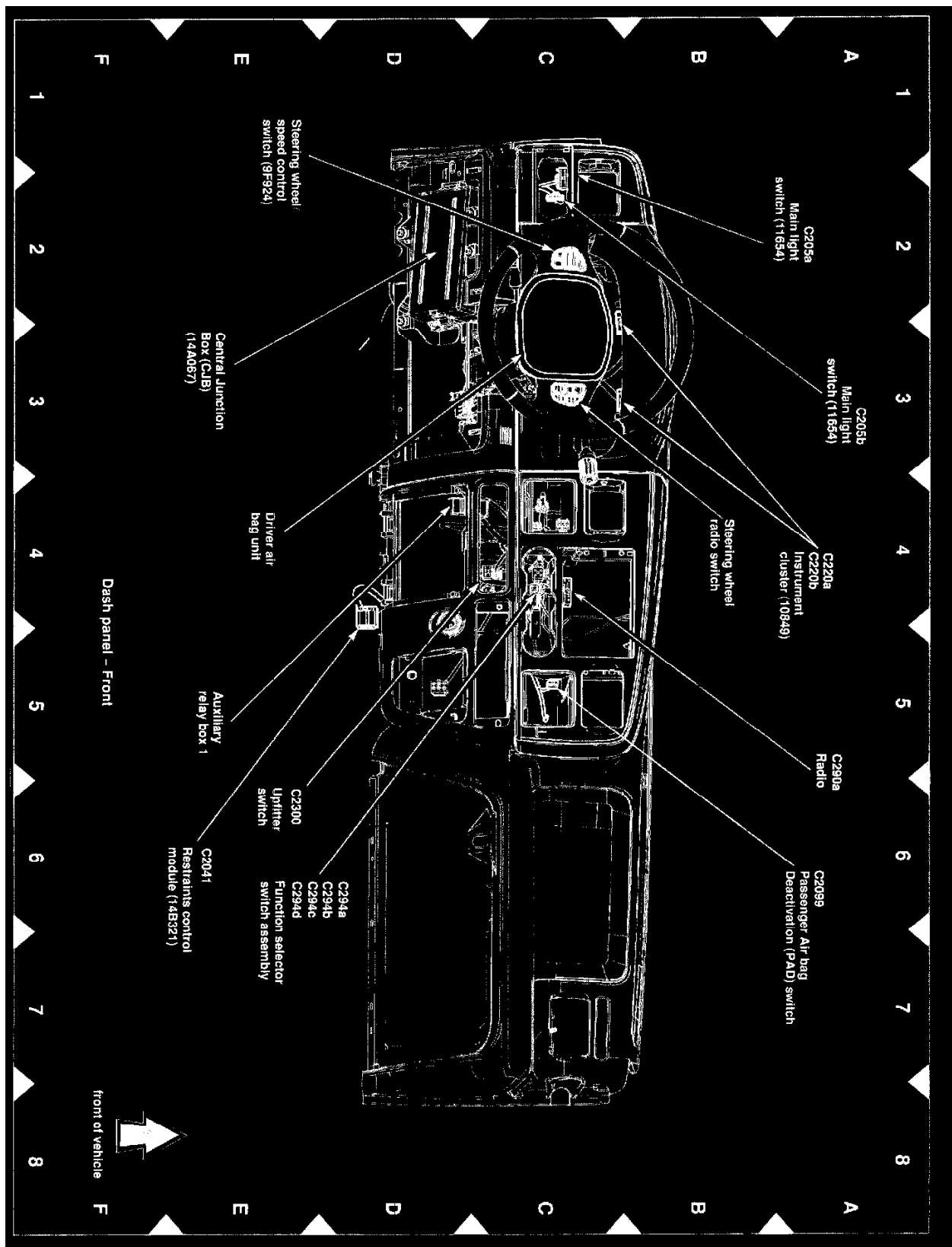


View 151-10 (Engine, Front)



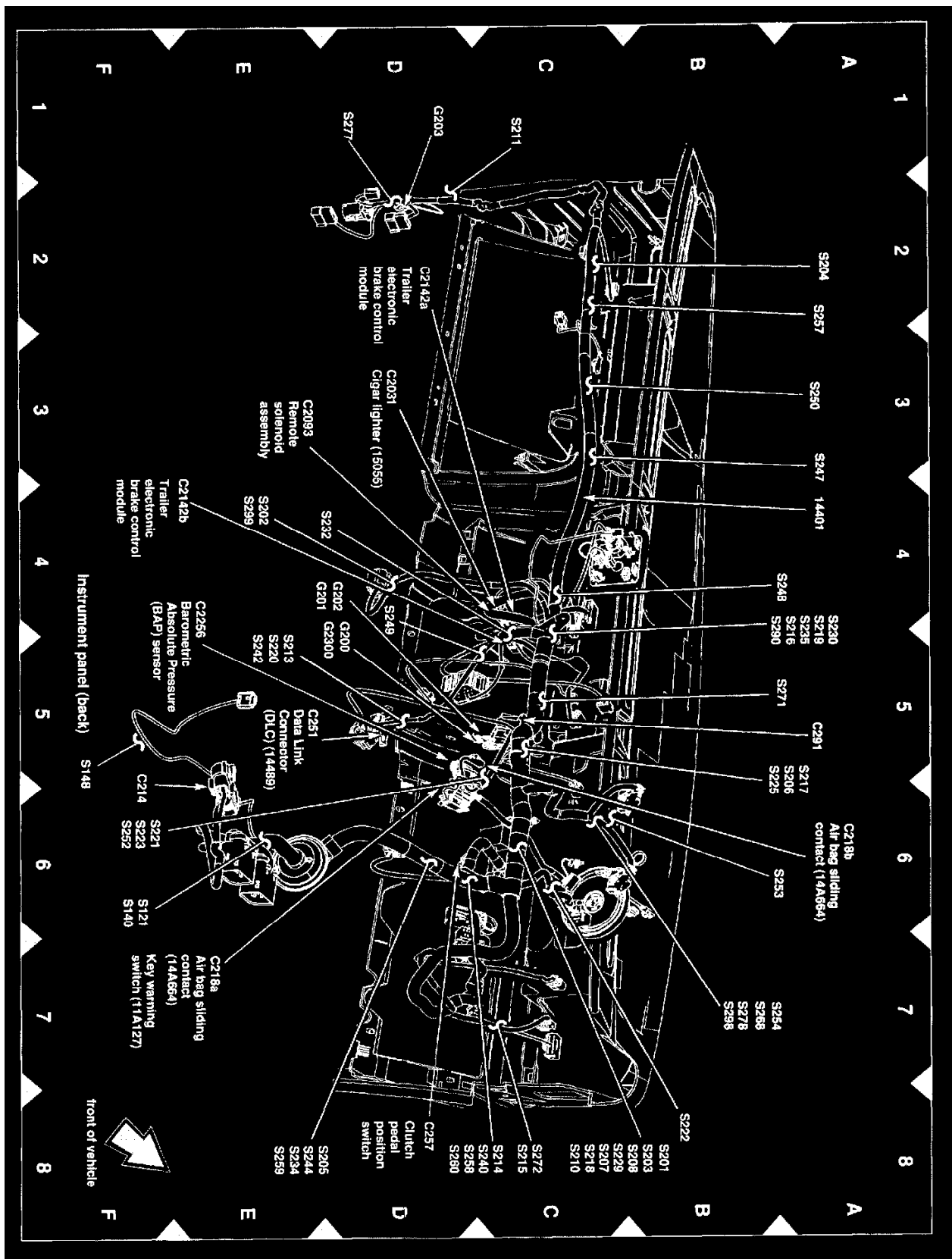
View 151-11 (Engine, Rear)



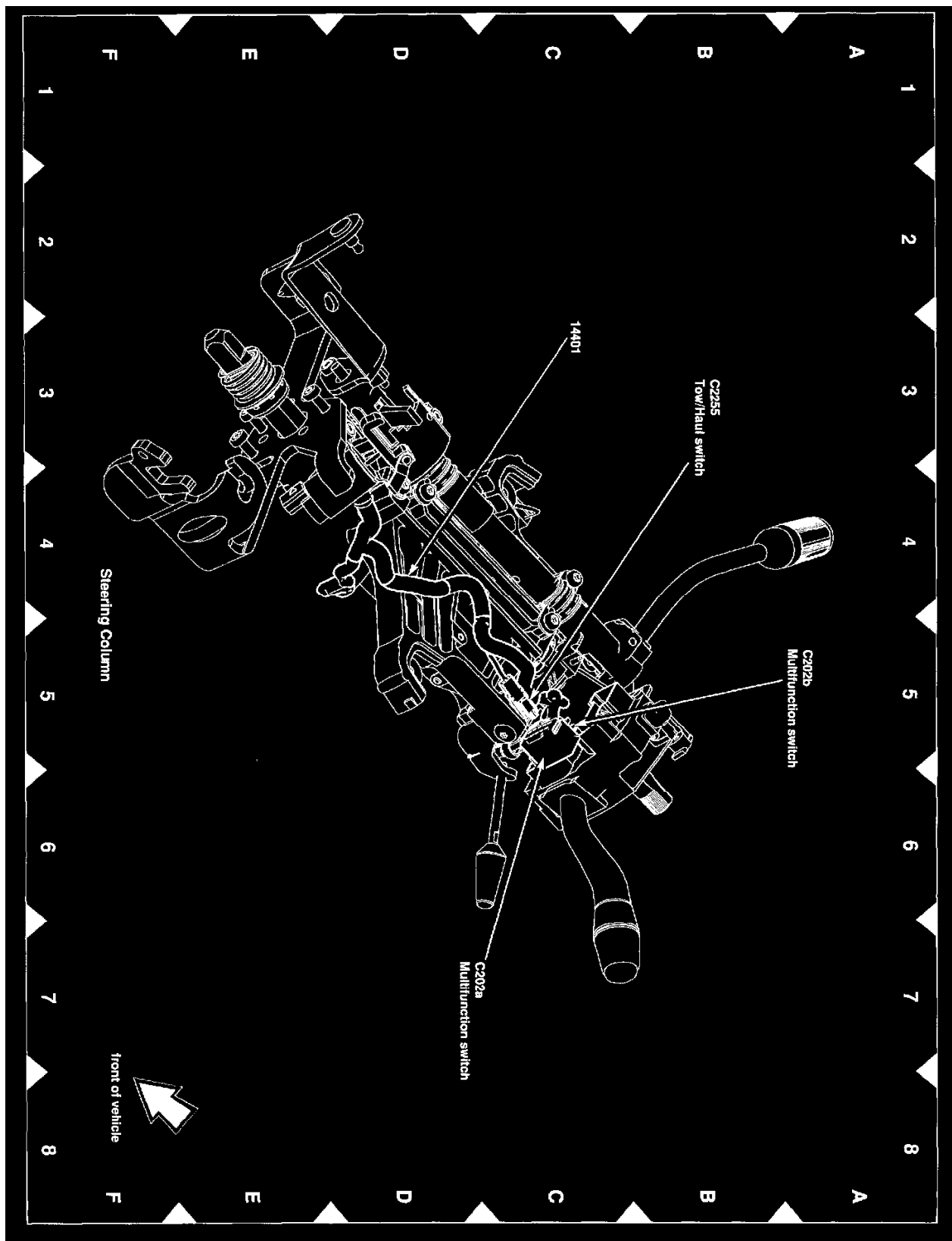


View 151-15 (Dash Panel - Front)

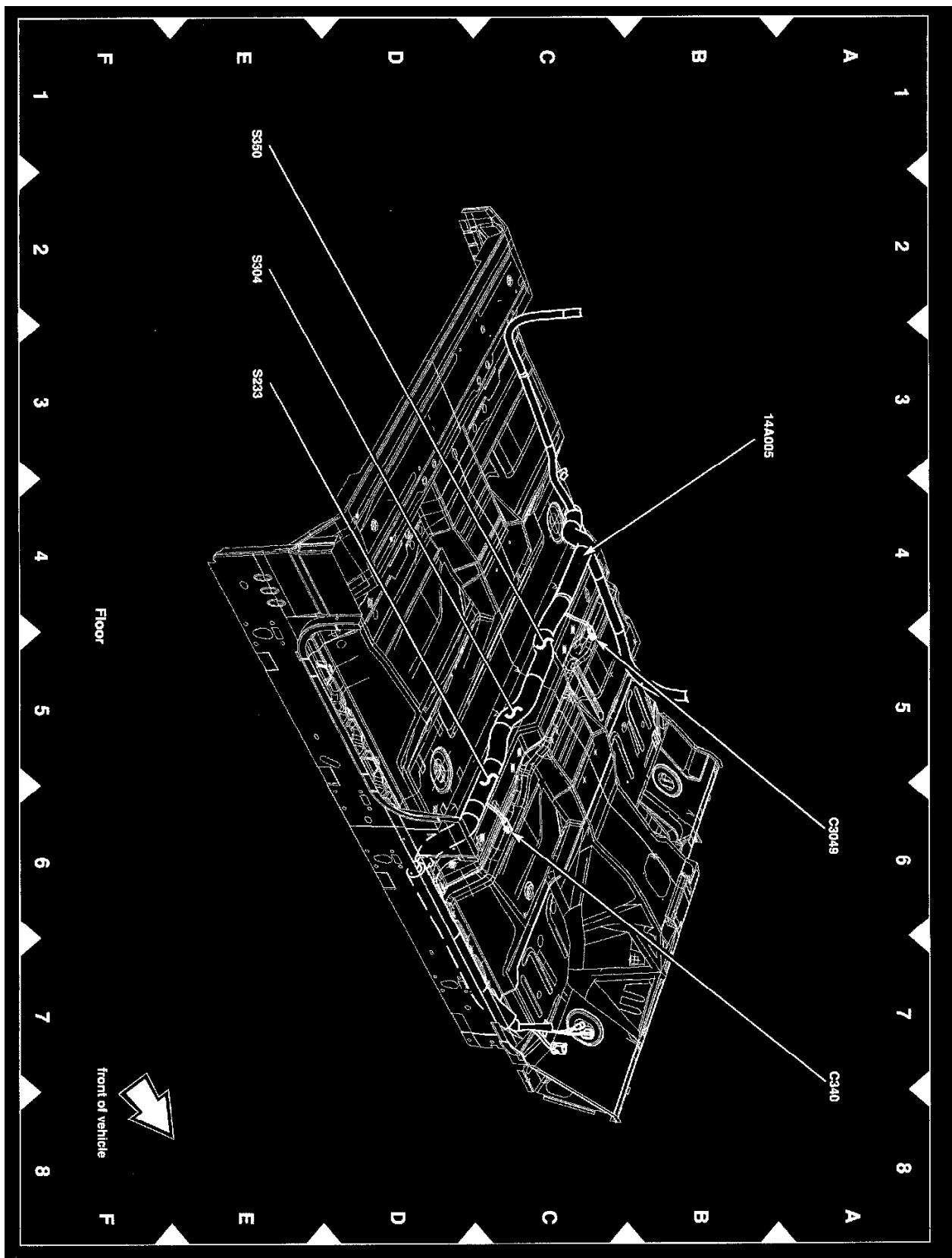




View 151-17 (Instrument Panel (Back))

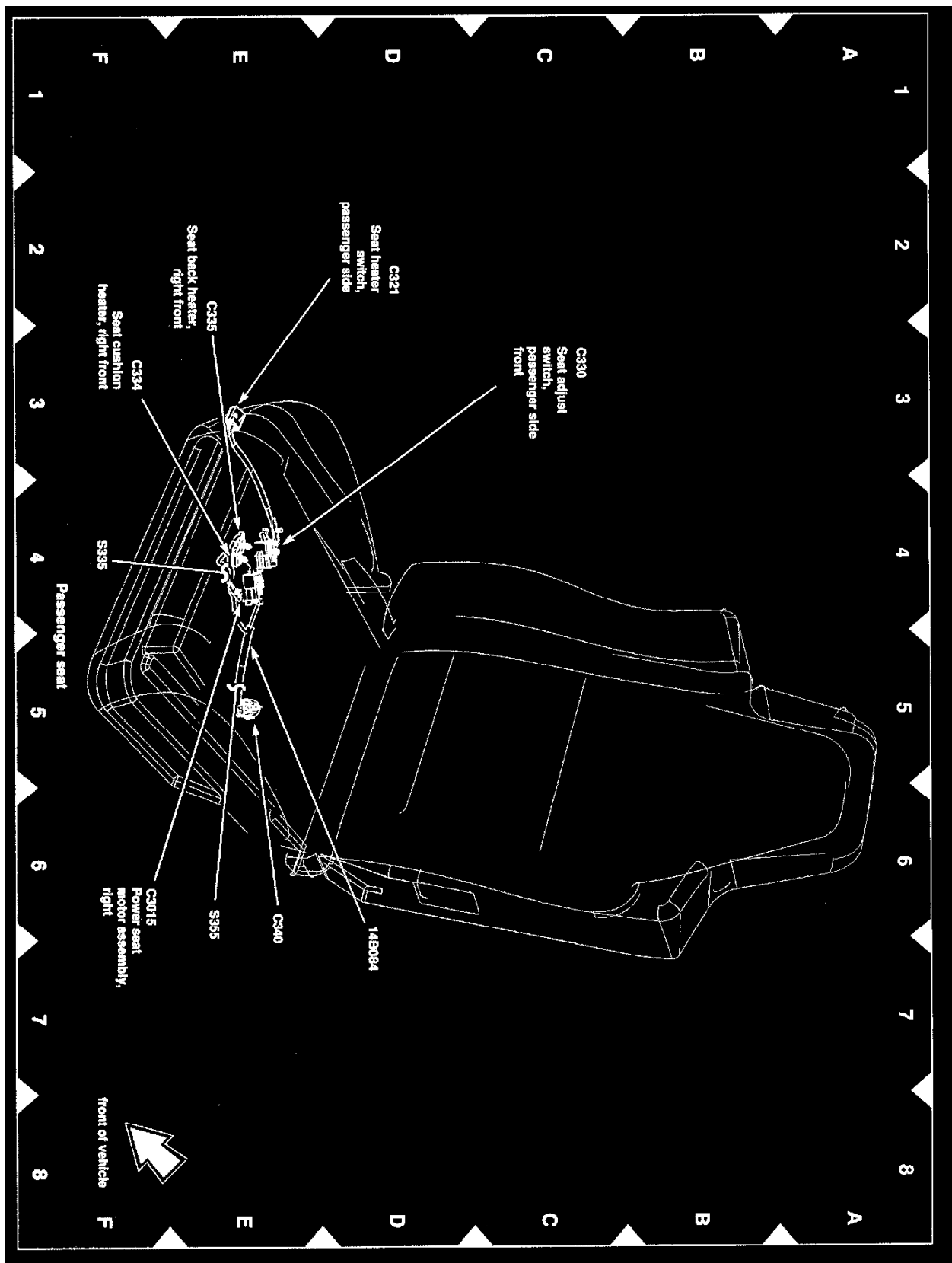


View 151-18 (Steering Column)

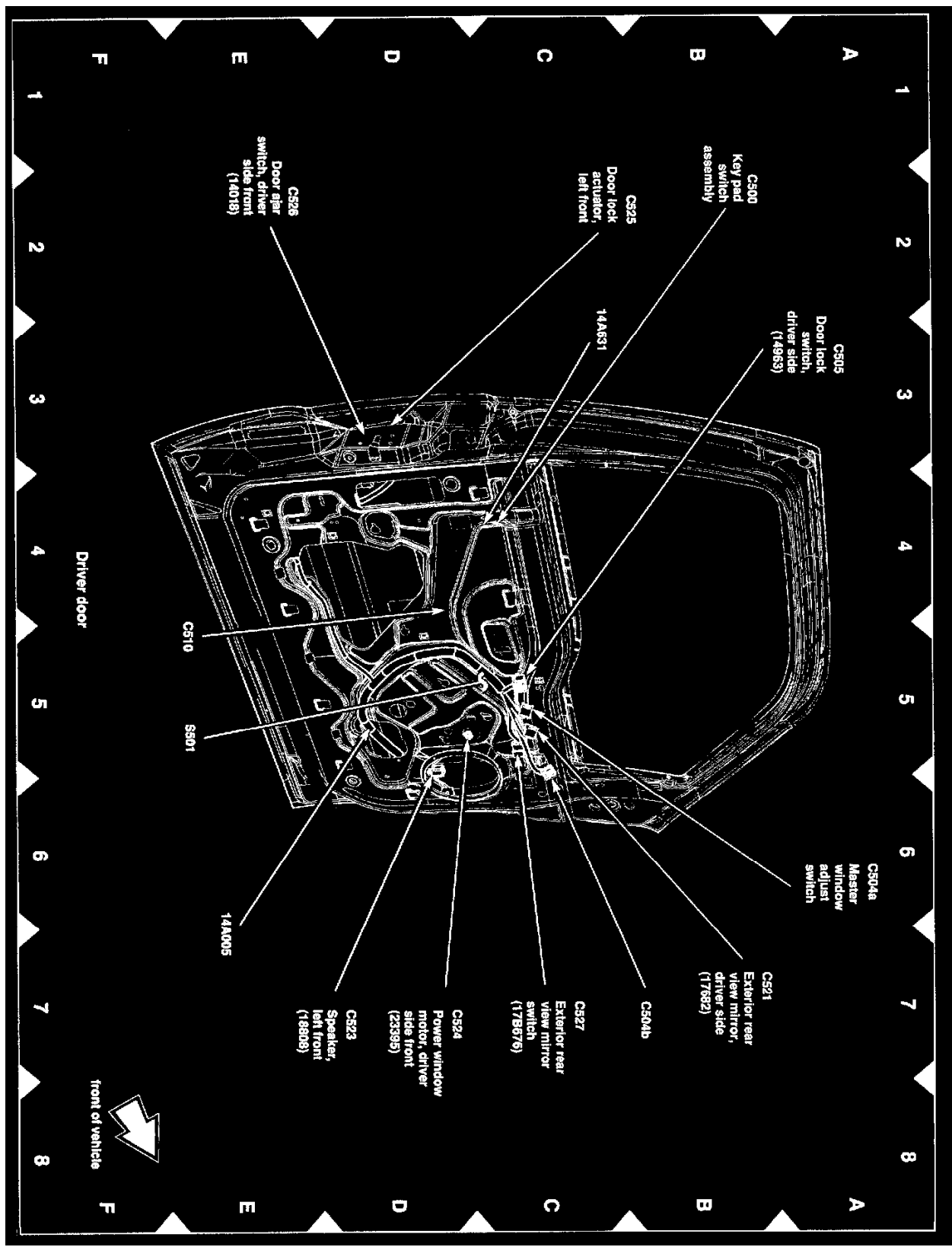


View 151-19 (Floor)

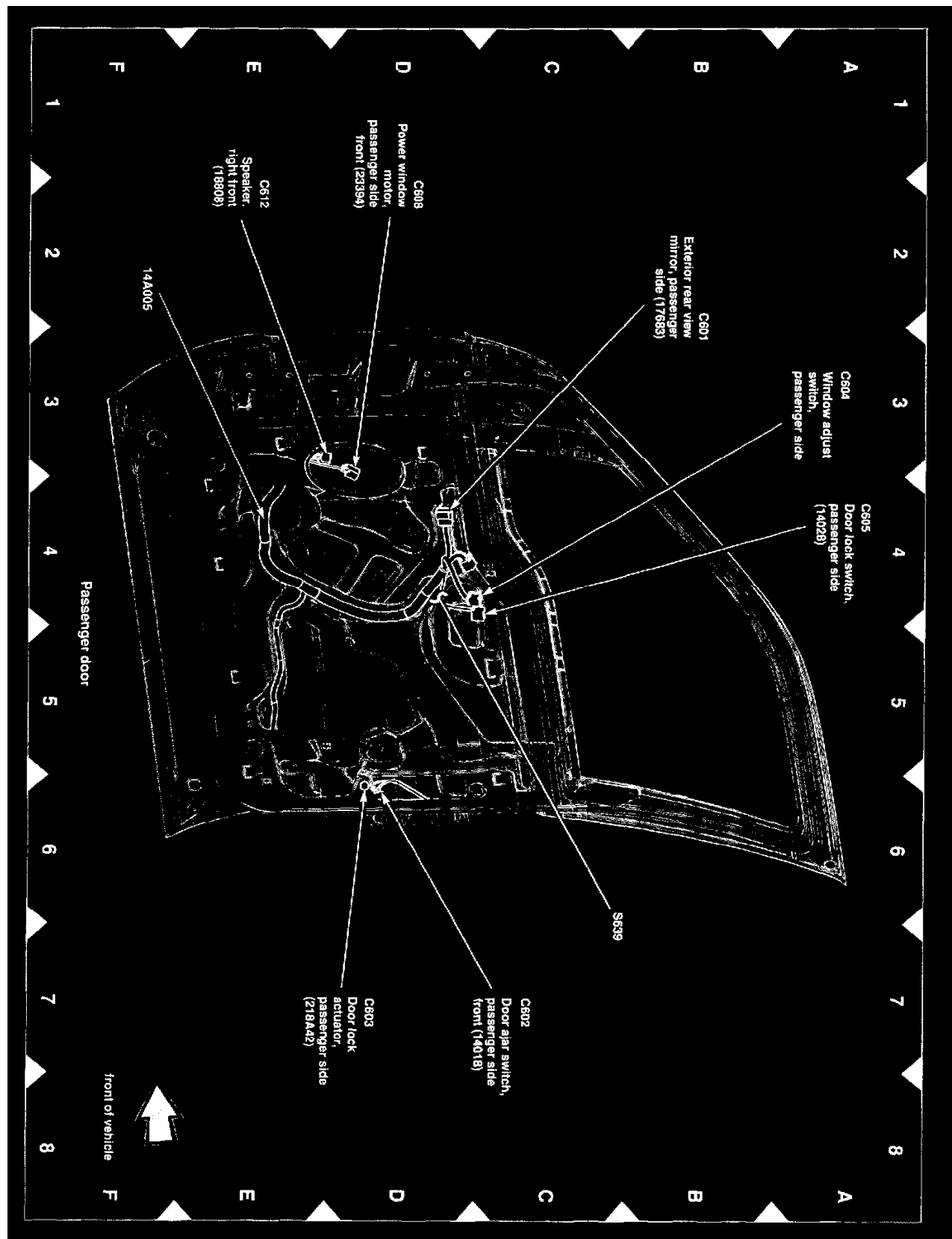




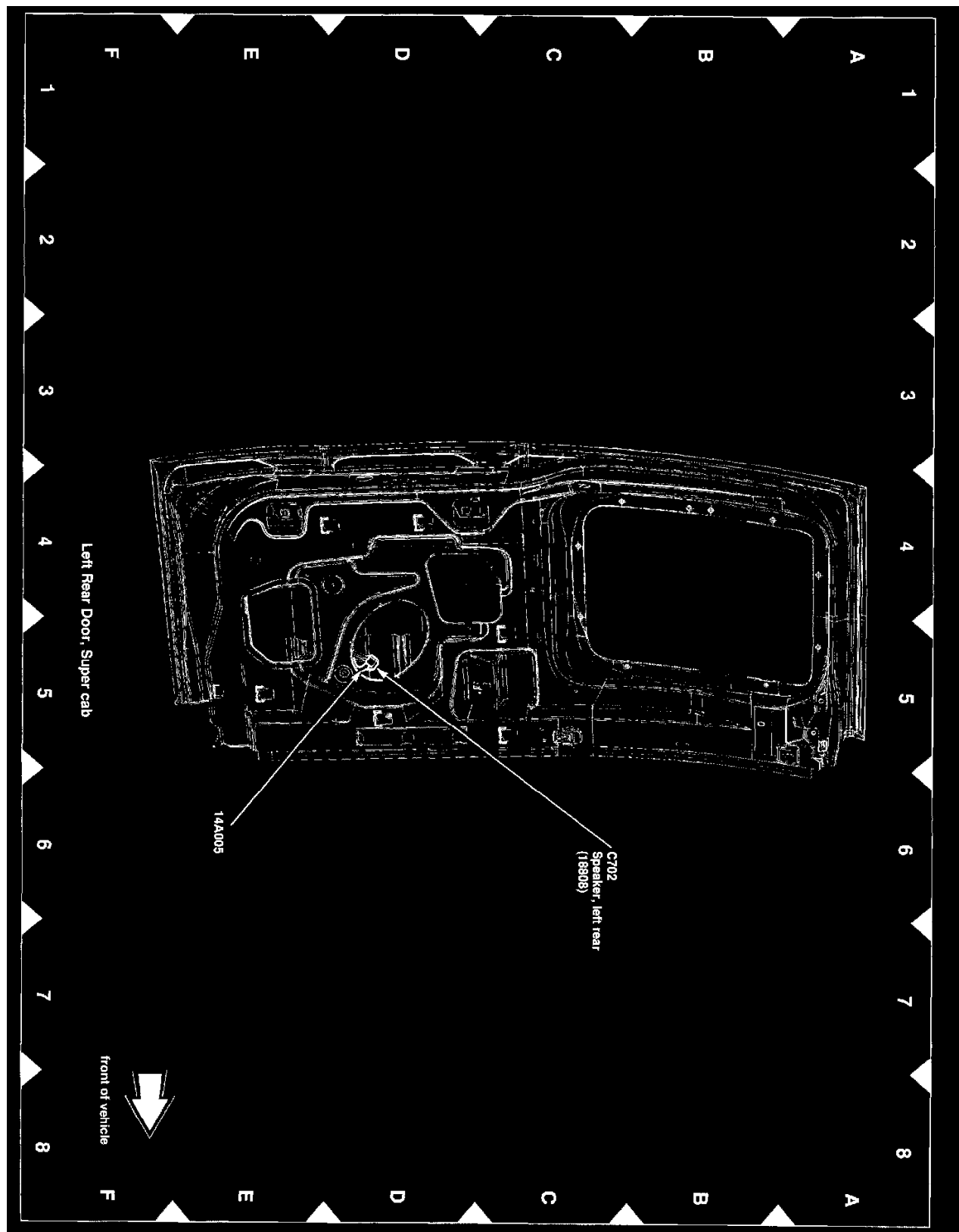
View 151-21 (Passenger Seat)



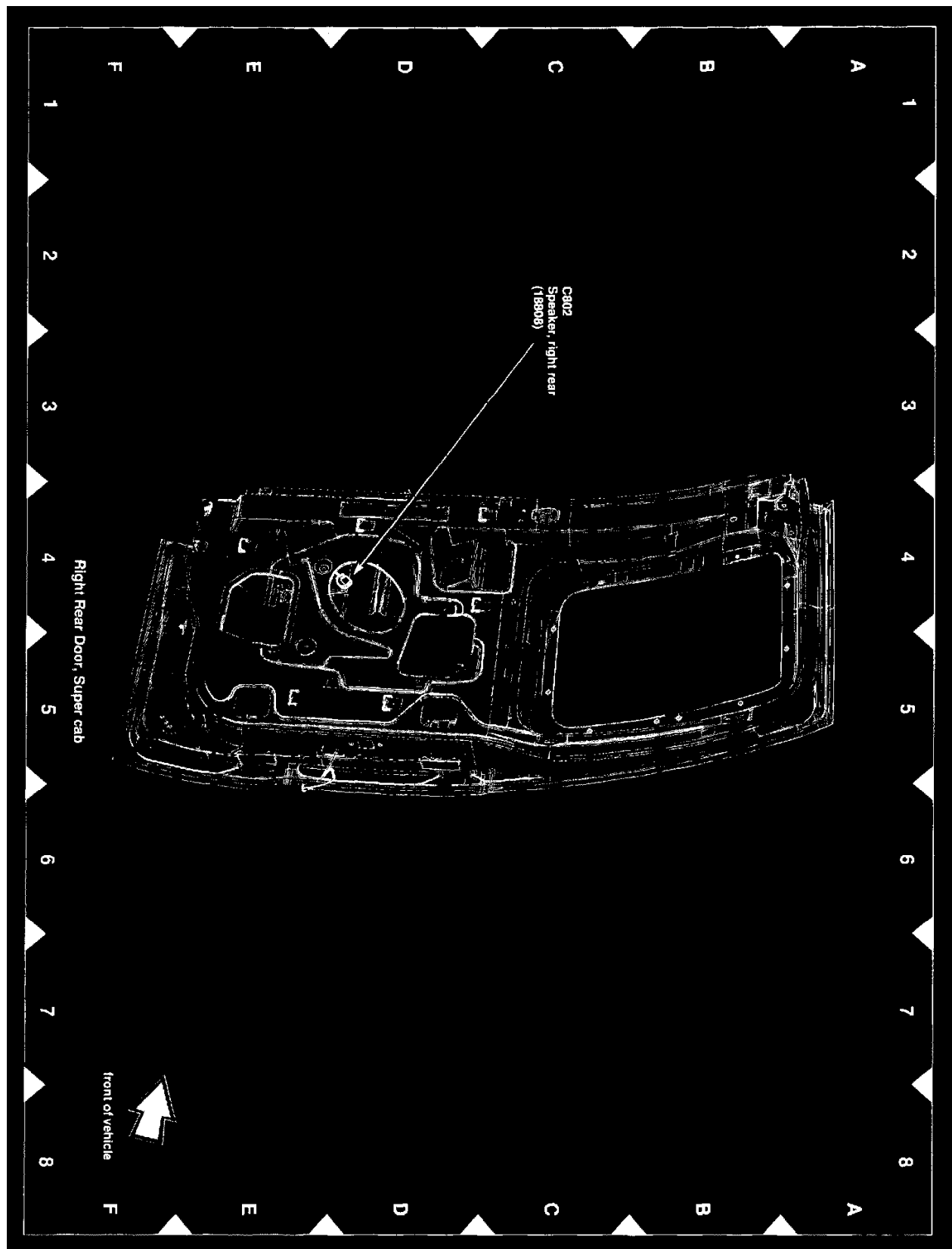
View 151-22 (Driver Door)



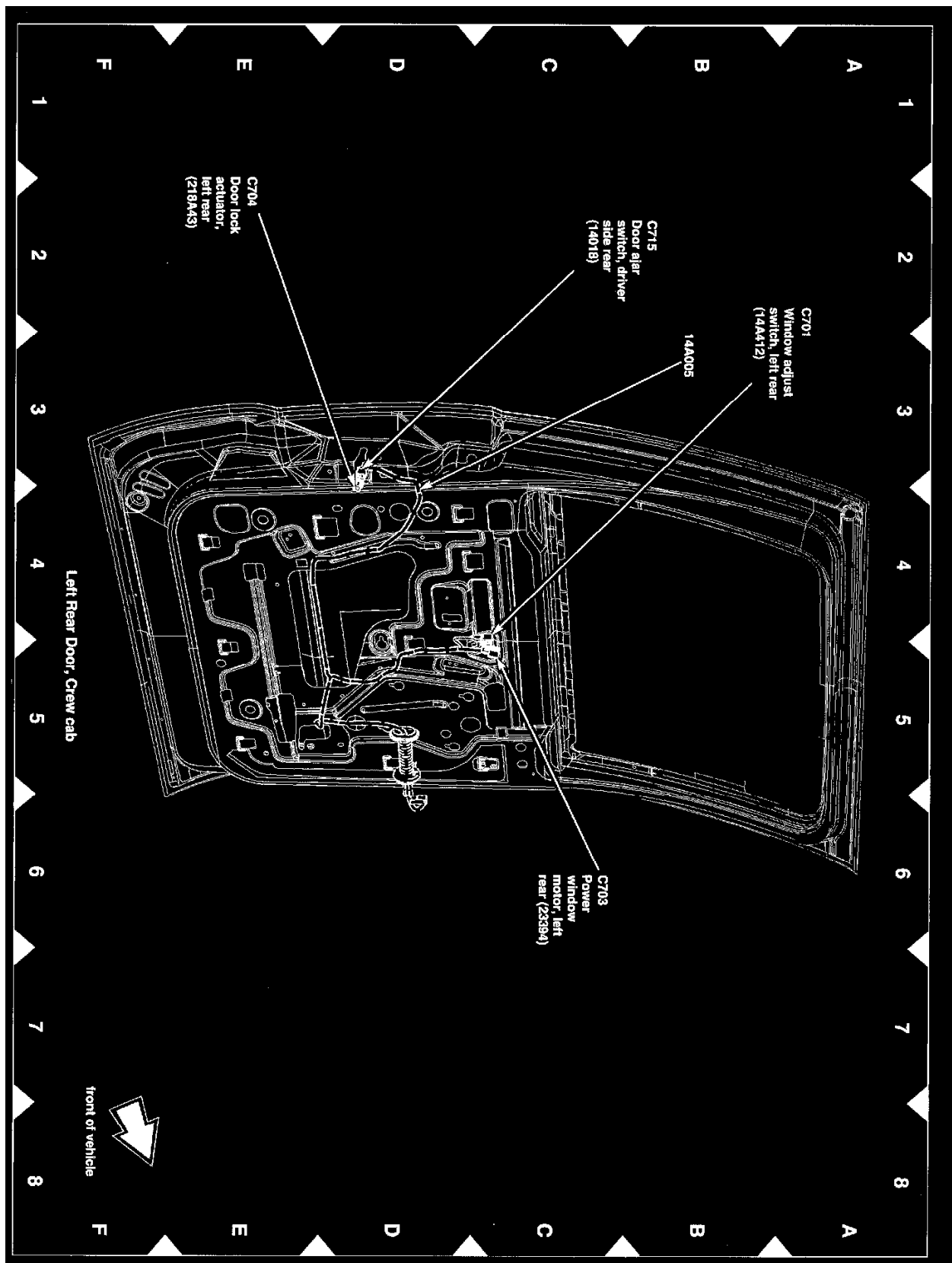
View 151-23 (Passenger Door)



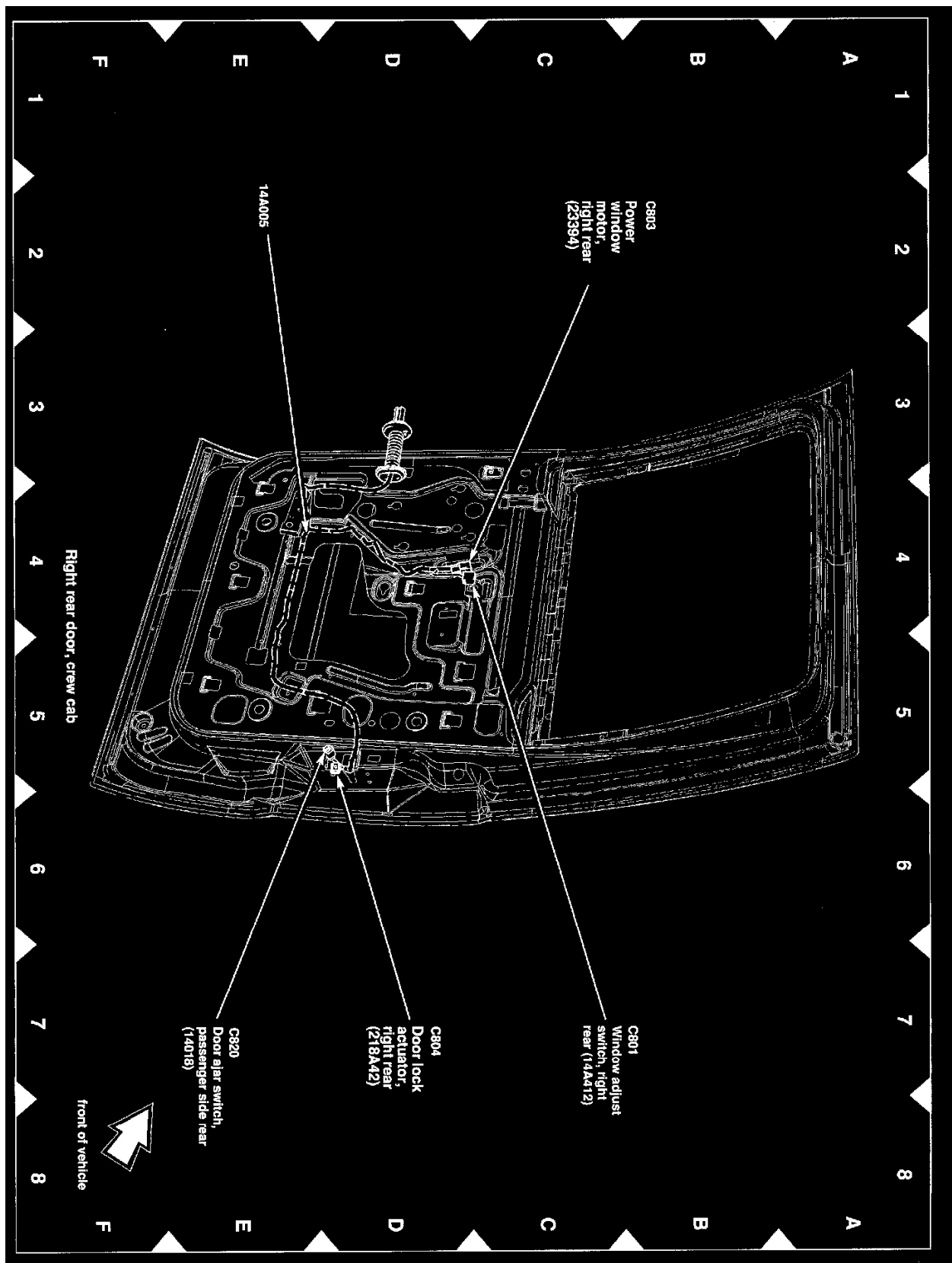
View 151-24 (Left Rear Door, Super Cab)



View 151-25 (Right Rear Door, Super Cab)

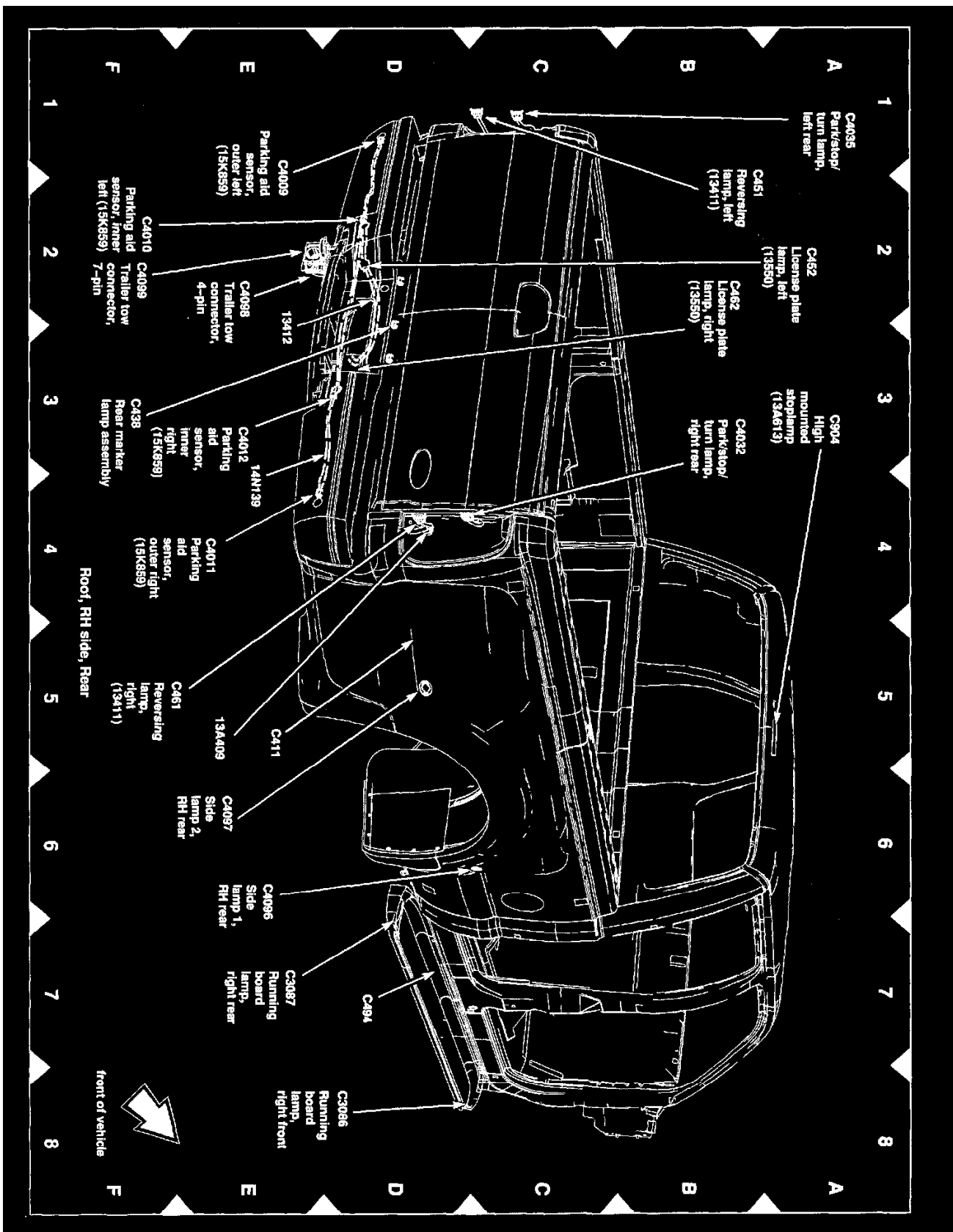


View 151-26 (Left Rear Door, Crew Cab)

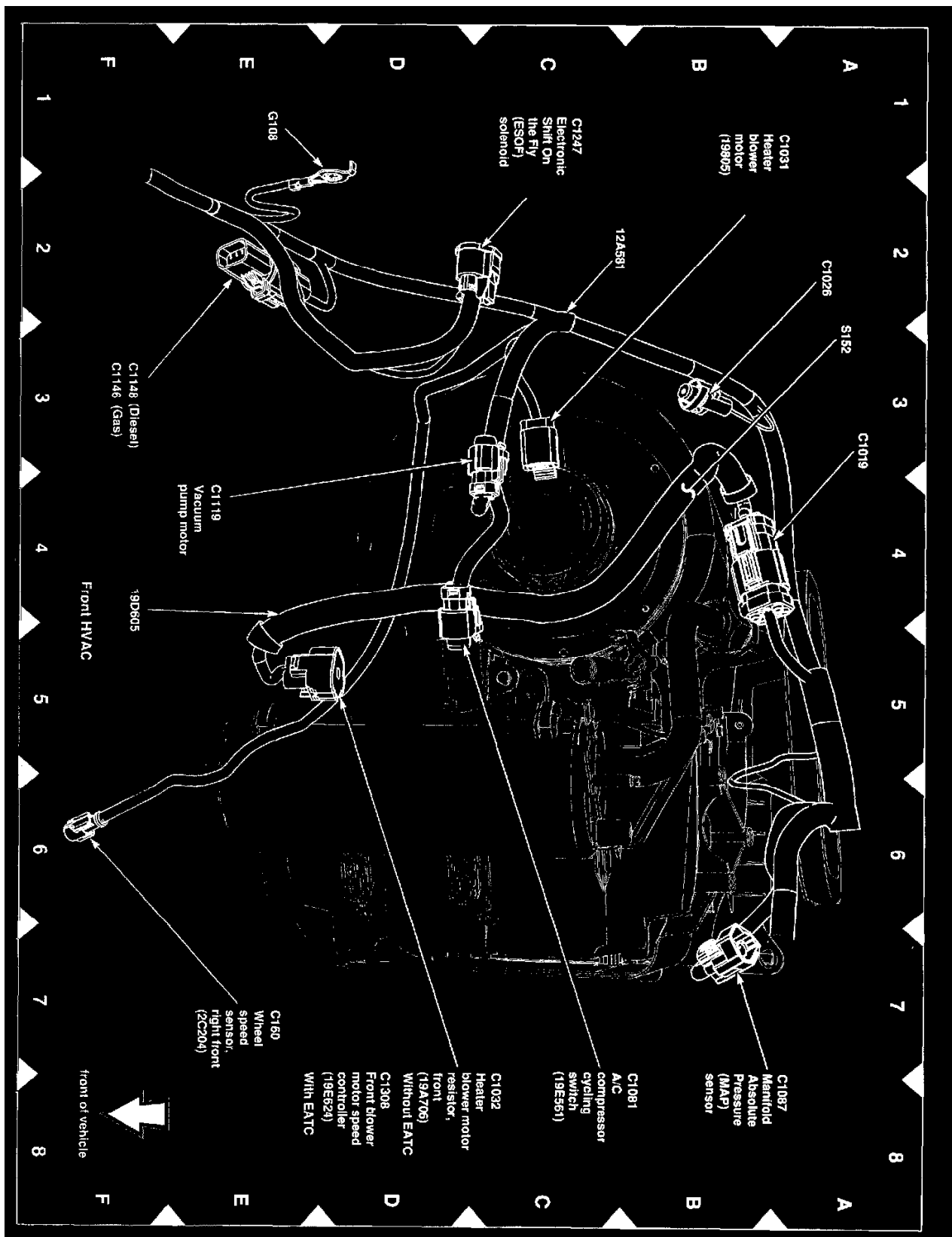


View 151-27 (Right Rear Door, Crew Cab)



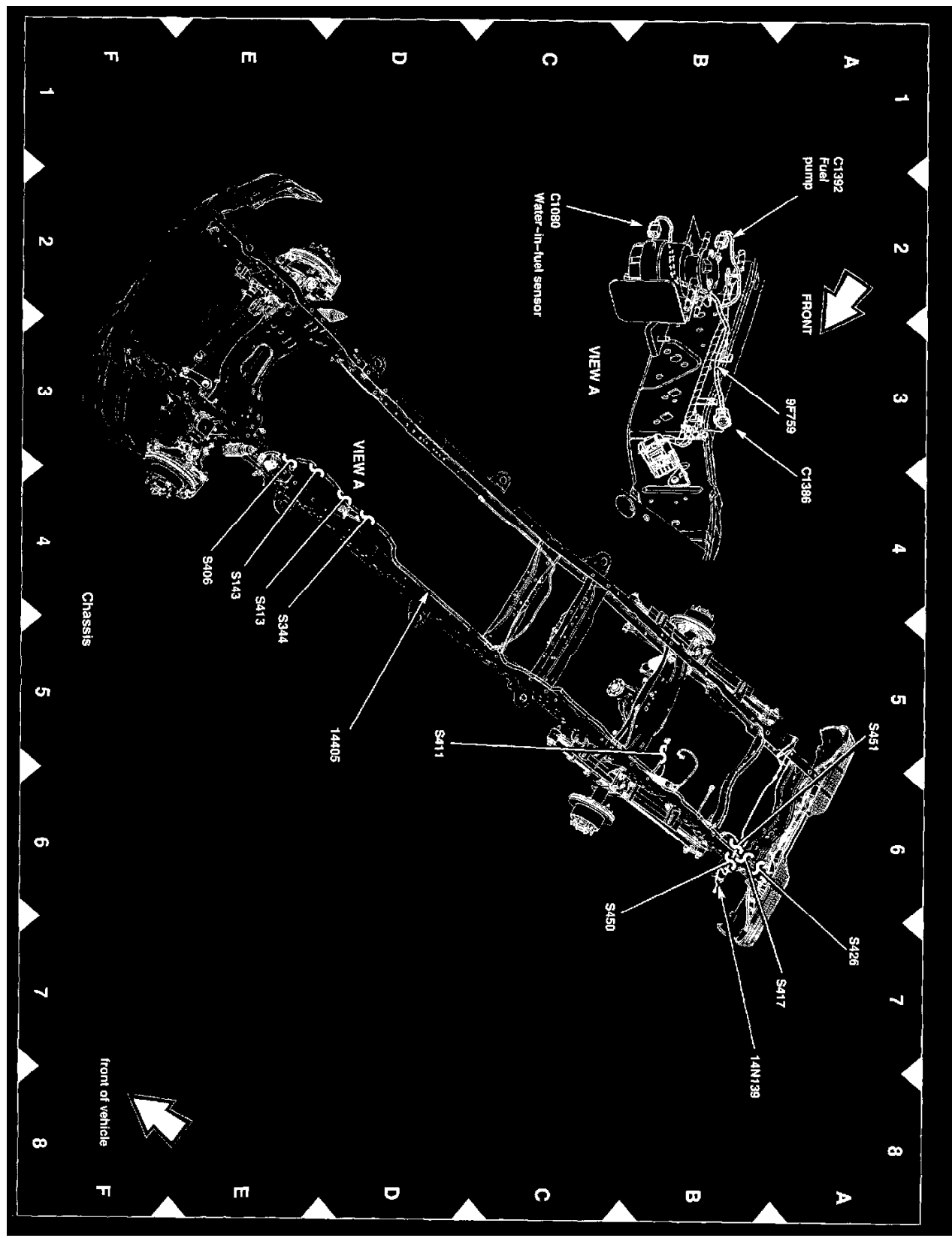


View 151-29 (Roof, RH Side, Rear)

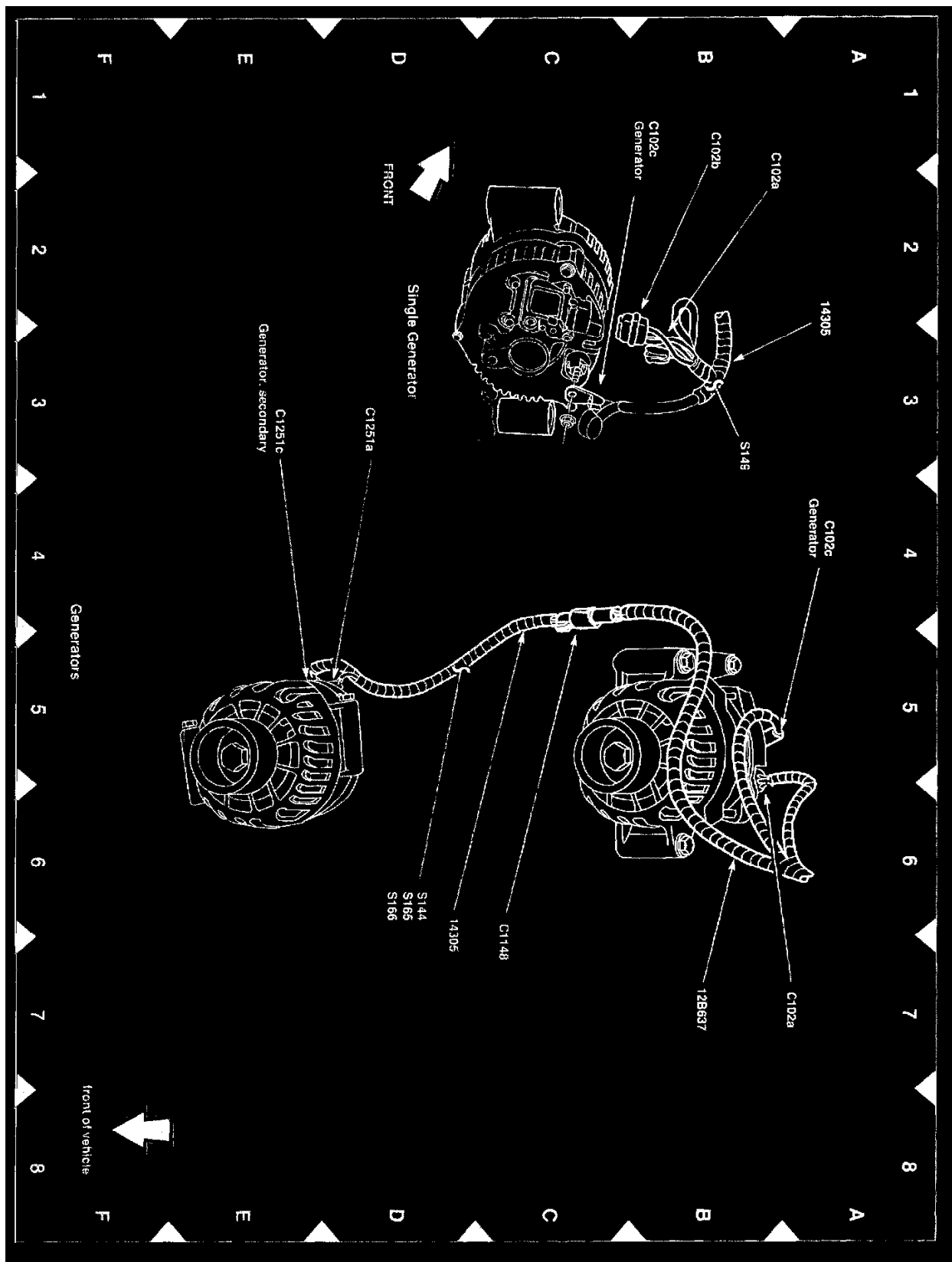


View 151-30 (Front HVAC)





View 151-32 (Chassis)



View 151-33 (Generators)