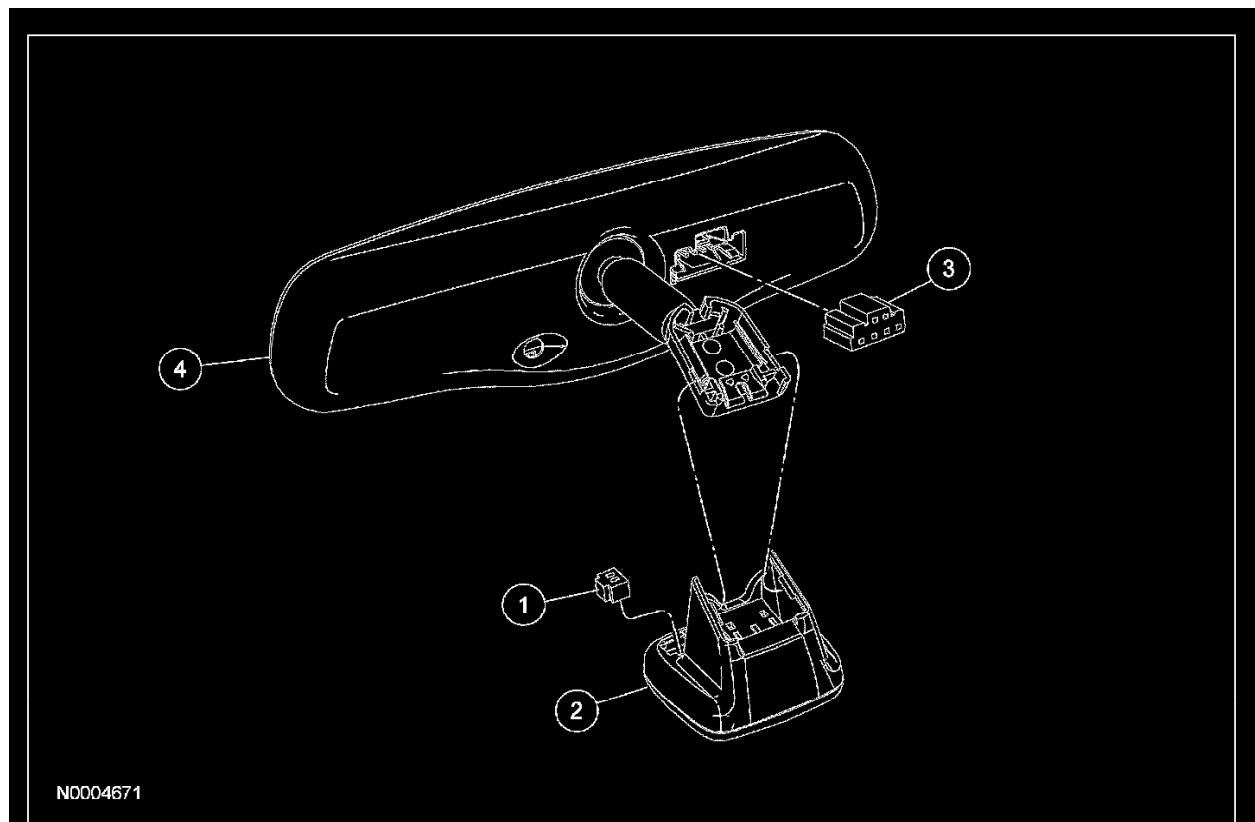


Mirrors: Service and Repair

Auto-Dimming Interior Mirror

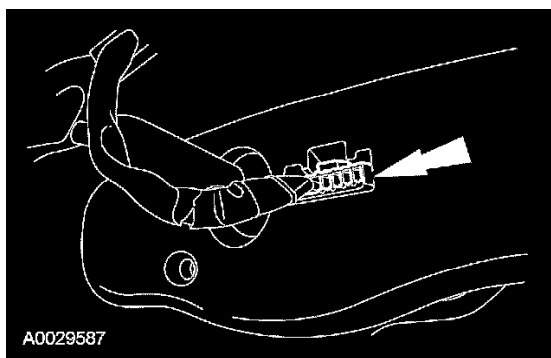
AUTO-DIMMING INTERIOR MIRROR



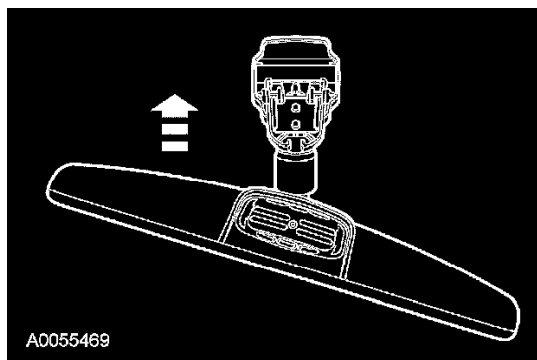
Item	Description
1	Electronic compass sensor electrical connector (if equipped)
2	Electronic compass sensor (if equipped)
3	Auto-dimming interior mirror electrical connector
4	Auto-dimming interior mirror

Removal

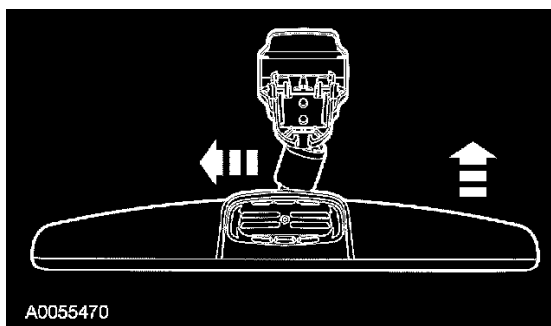
1. If equipped, position the electronic compass sensor aside.



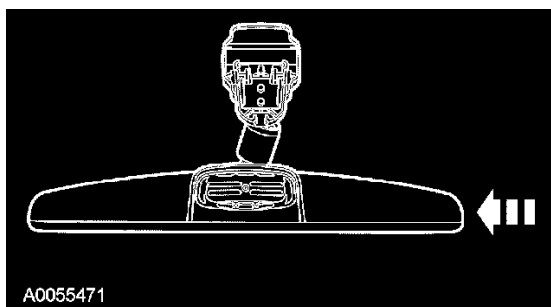
2. Disconnect the auto-dimming interior mirror electrical connector.



3. Position the auto-dimming interior rear view mirror outboard (towards the driver door) to its full extension.



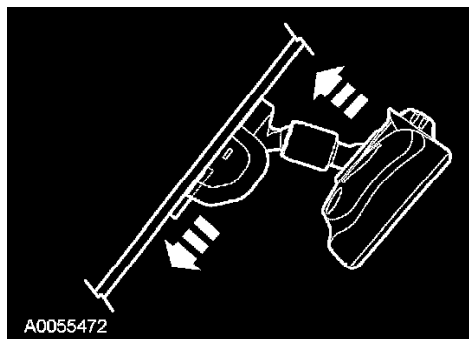
4. Rotate the auto-dimming interior mirror back until it is parallel with the windshield. The auto-dimming interior mirror mount is now locked between the 2 adjustment balls and joints.



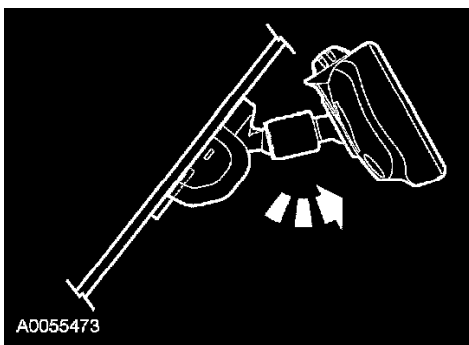
5. **NOTE:** It takes approximately **10 pounds** of force to remove the auto-dimming interior mirror from the windshield bracket.

Hold the auto-dimming interior mirror firmly in one hand and strike the auto-dimming interior mirror with the palm of an open hand.

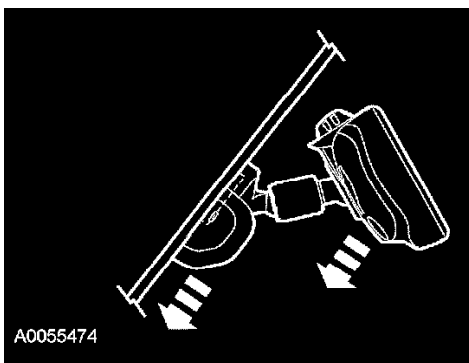
Installation



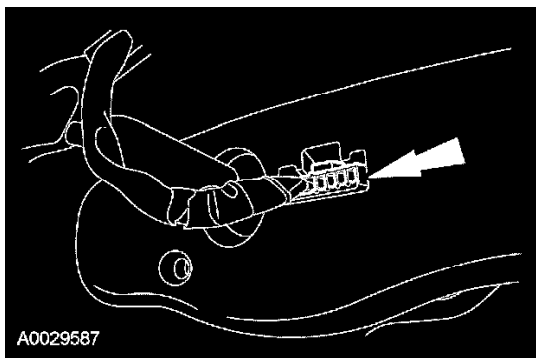
1. Seat the auto-dimming interior mirror base partially on the mounting button.



2. Rotate the auto-dimming interior mirror fully up.



3. Slide the auto-dimming interior mirror base down on the mounting button until a click is heard.



4. Connect the auto-dimming interior mirror electrical connector.
5. If equipped, position the electronic compass sensor onto the interior mirror.