

Mirrors: Service and Repair

Interior Mirror

INTERIOR MIRROR

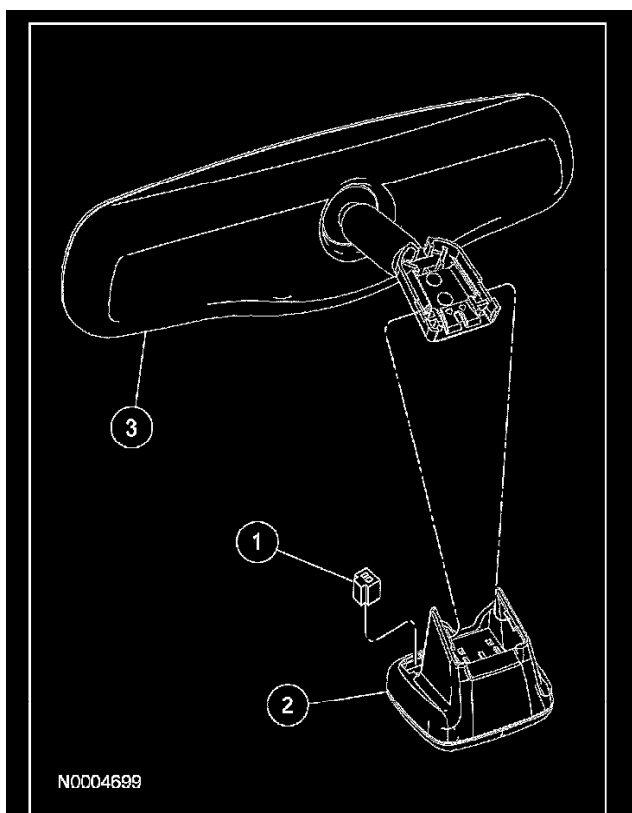
Special Tool(s)



Installer, Rear View Mirror
501-025 (T94P-17700-AH)

Installer, Rear View Mirror

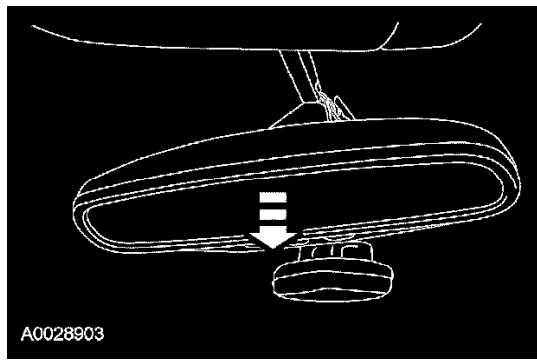
Special Tool(s)



Item	Description
1	Electronic compass sensor electrical connector (if equipped)
2	Electronic compass sensor (if equipped)
3	Interior mirror

Removal

1. If equipped, position the electronic compass sensor aside.

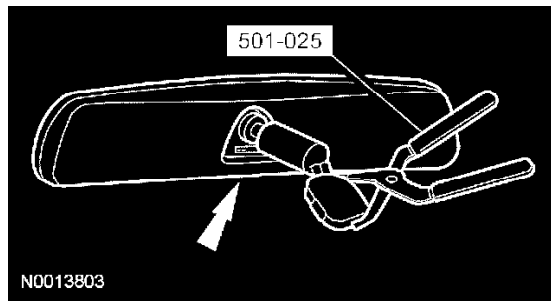


2. **CAUTION:** The interior rear view mirror is of the breakaway design. Excessive force in any direction will cause damage to the mirror.

Remove the interior rear view mirror.

- Position the mirror in the full up position. Insert a small flat-blade screwdriver between the bottom of the mirror mount and bracket. Push upward on the screwdriver until the mirror mount is released from the bracket.

Installation



1. Using the special tool, install the interior rear view mirror.
 - Press the mirror in place until it is fully seated.
2. If equipped, position the electronic compass sensor onto the interior mirror.