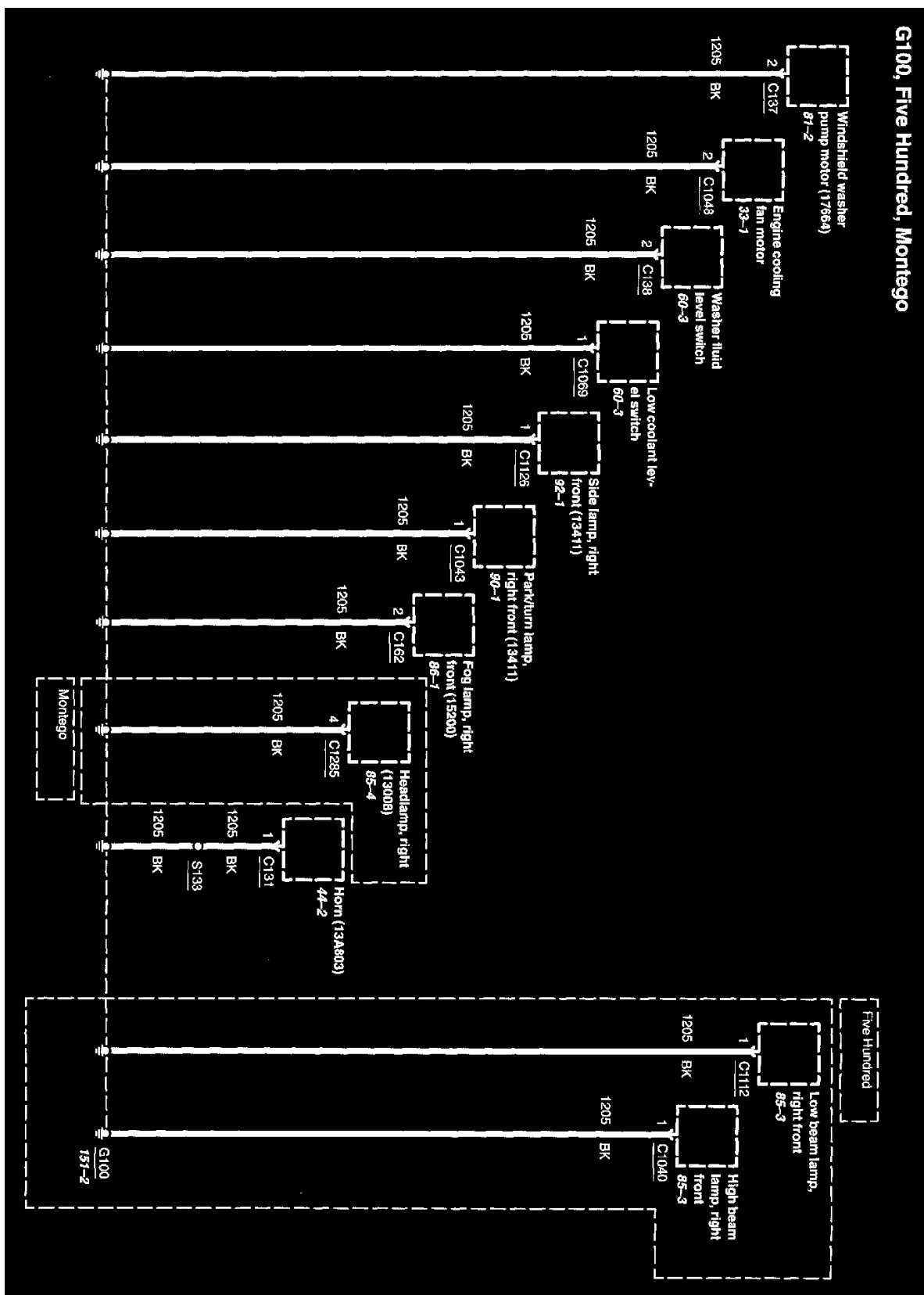


Power and Ground Distribution: Electrical Diagrams

Ground Distribution

G100

PLEASE NOTE: Some diagrams may appear to be missing because of gaps in the number sequences. These "gaps" are actually for diagrams that do not apply to the vehicle model selected.



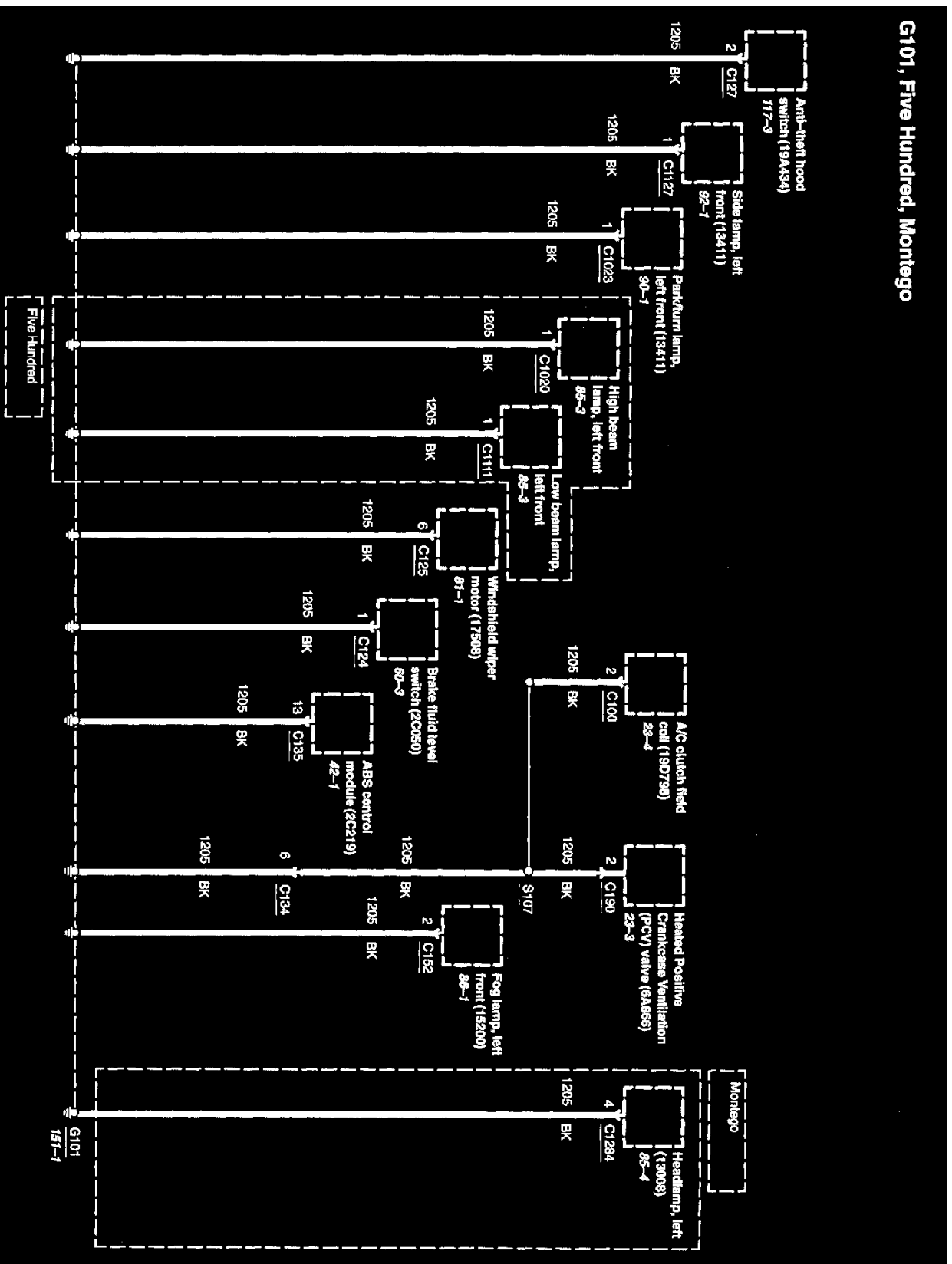
Diagrams: Other diagrams referred to by number (See Diagram #-#, etc.) within these diagrams can be found at **Diagrams By Number**. See: Diagrams/Electrical Diagrams/Diagrams By Number

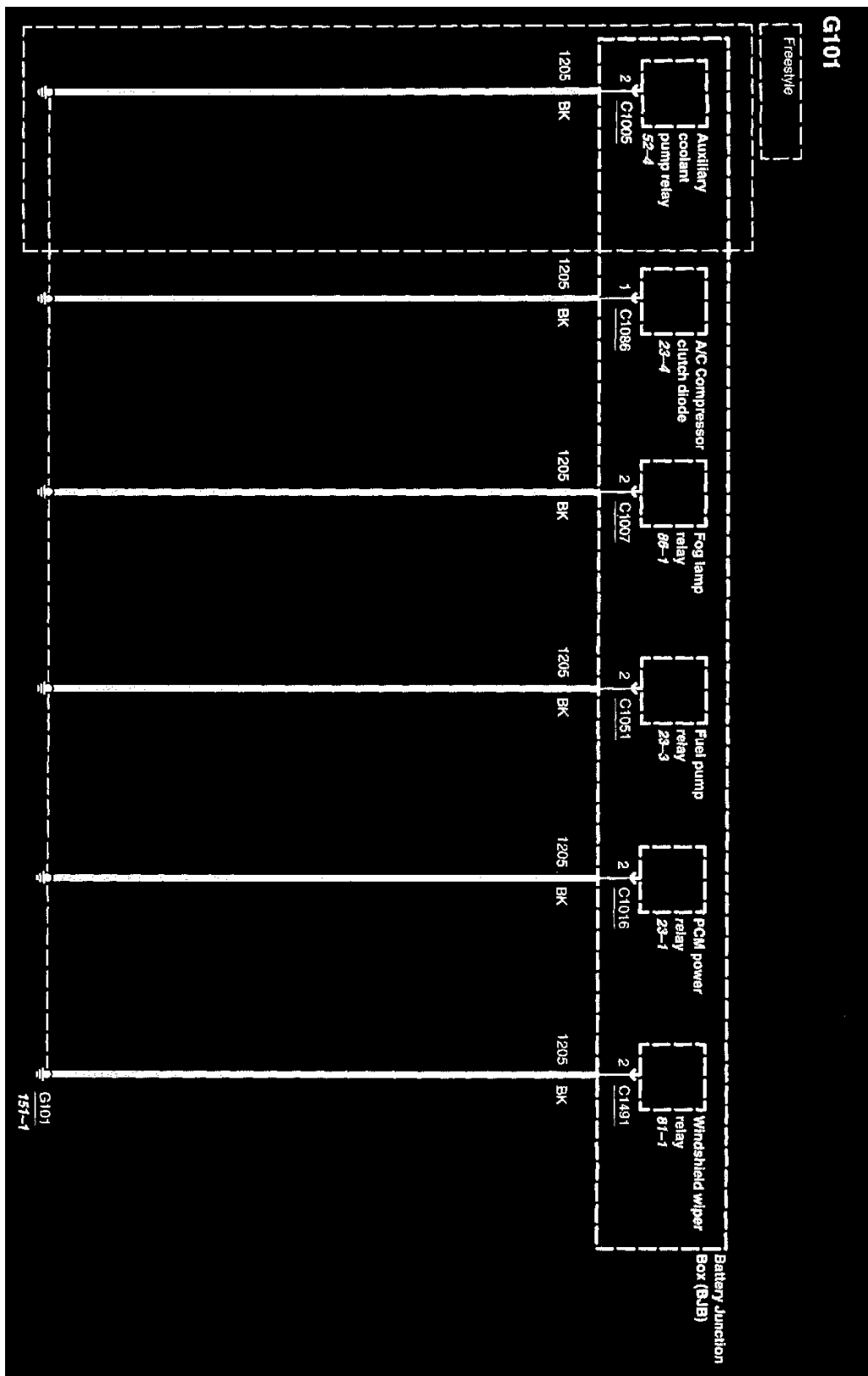
Locations: Location Views (reference numbers starting with 151-) referred to within these diagrams can be found at **Component Location Views**. See: Diagrams/Components/Component Location Views

G101

PLEASE NOTE: Some diagrams may appear to be missing because of gaps in the number sequences. These "gaps" are actually for diagrams that do not apply to the vehicle model selected.

G101, Five Hundred, Montego





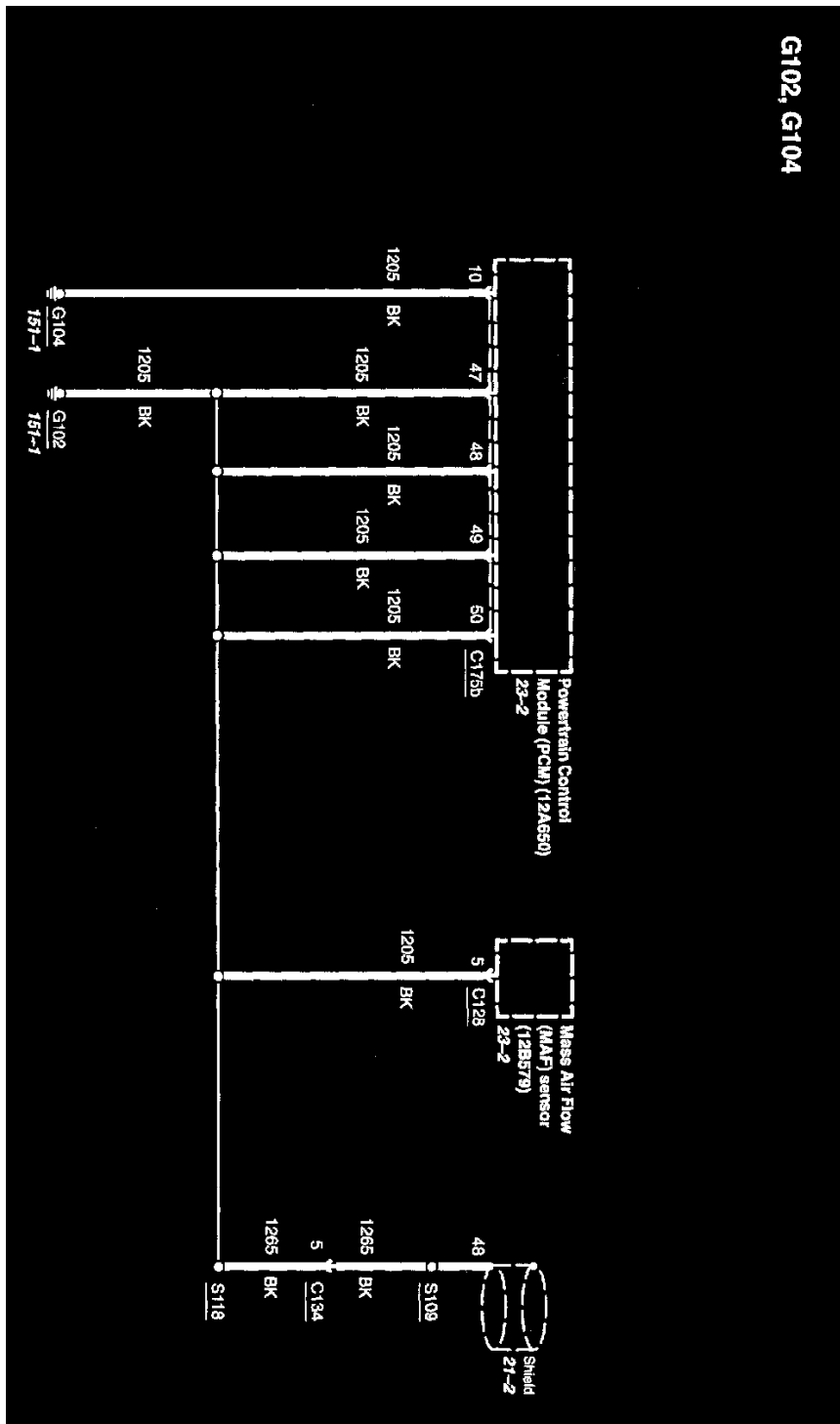
10-5

Diagrams: Other diagrams referred to by number (See Diagram #-#, etc.) within these diagrams can be found at **Diagrams By Number**. See: Diagrams/Electrical Diagrams/Diagrams By Number

Locations: Location Views (reference numbers starting with 151-) referred to within these diagrams can be found at **Component Location Views**. See: Diagrams/Components/Component Location Views

G102

PLEASE NOTE: Some diagrams may appear to be missing because of gaps in the number sequences. These "gaps" are actually for diagrams that do not apply to the vehicle model selected.



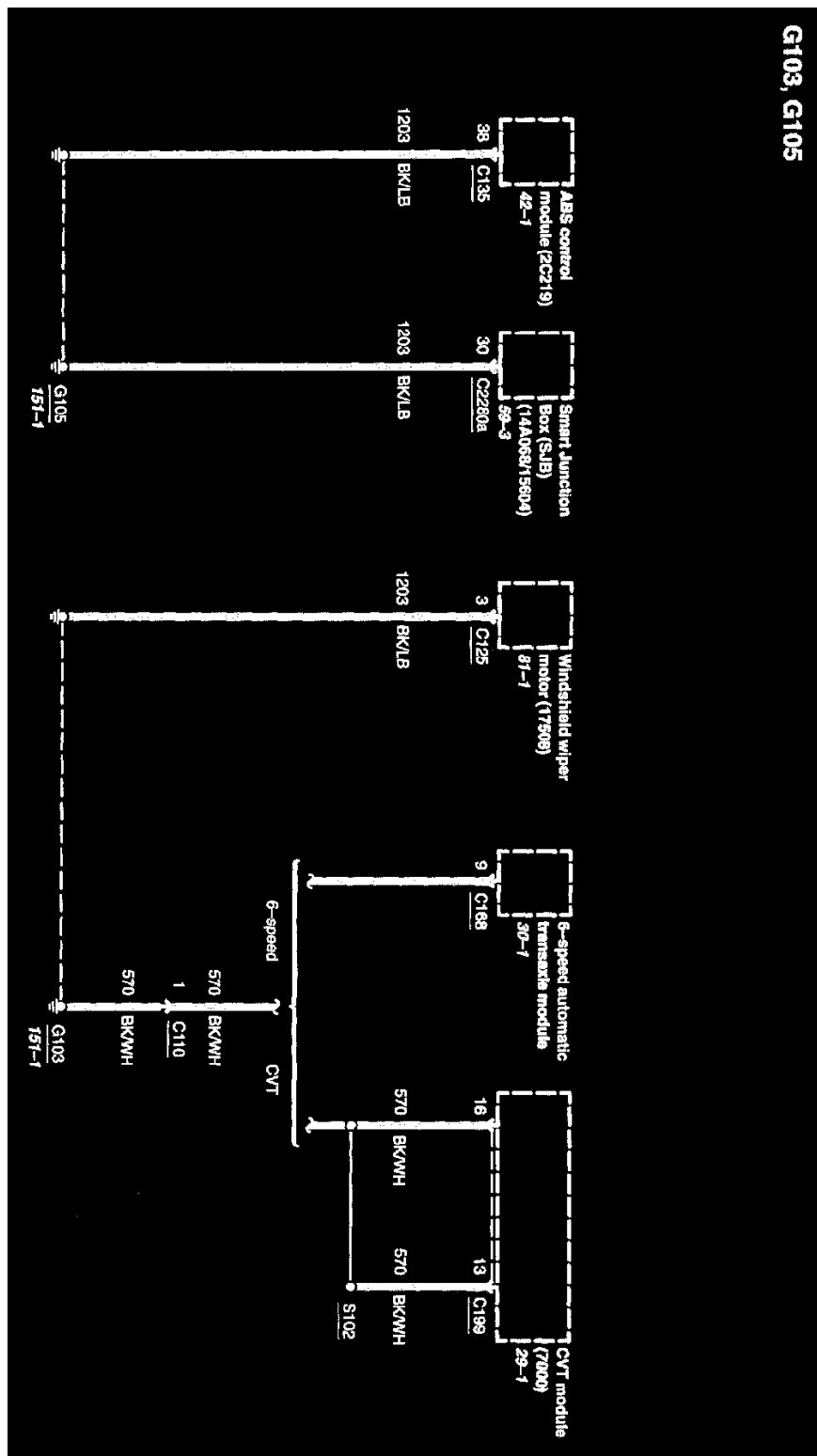
10-6

Diagrams: Other diagrams referred to by number (See Diagram #-#, etc.) within these diagrams can be found at **Diagrams By Number**. See: Diagrams/Electrical Diagrams/Diagrams By Number

Locations: Location Views (reference numbers starting with 151-) referred to within these diagrams can be found at **Component Location Views**. See: Diagrams/Components/Component Location Views

G103

PLEASE NOTE: Some diagrams may appear to be missing because of gaps in the number sequences. These "gaps" are actually for diagrams that do not apply to the vehicle model selected.

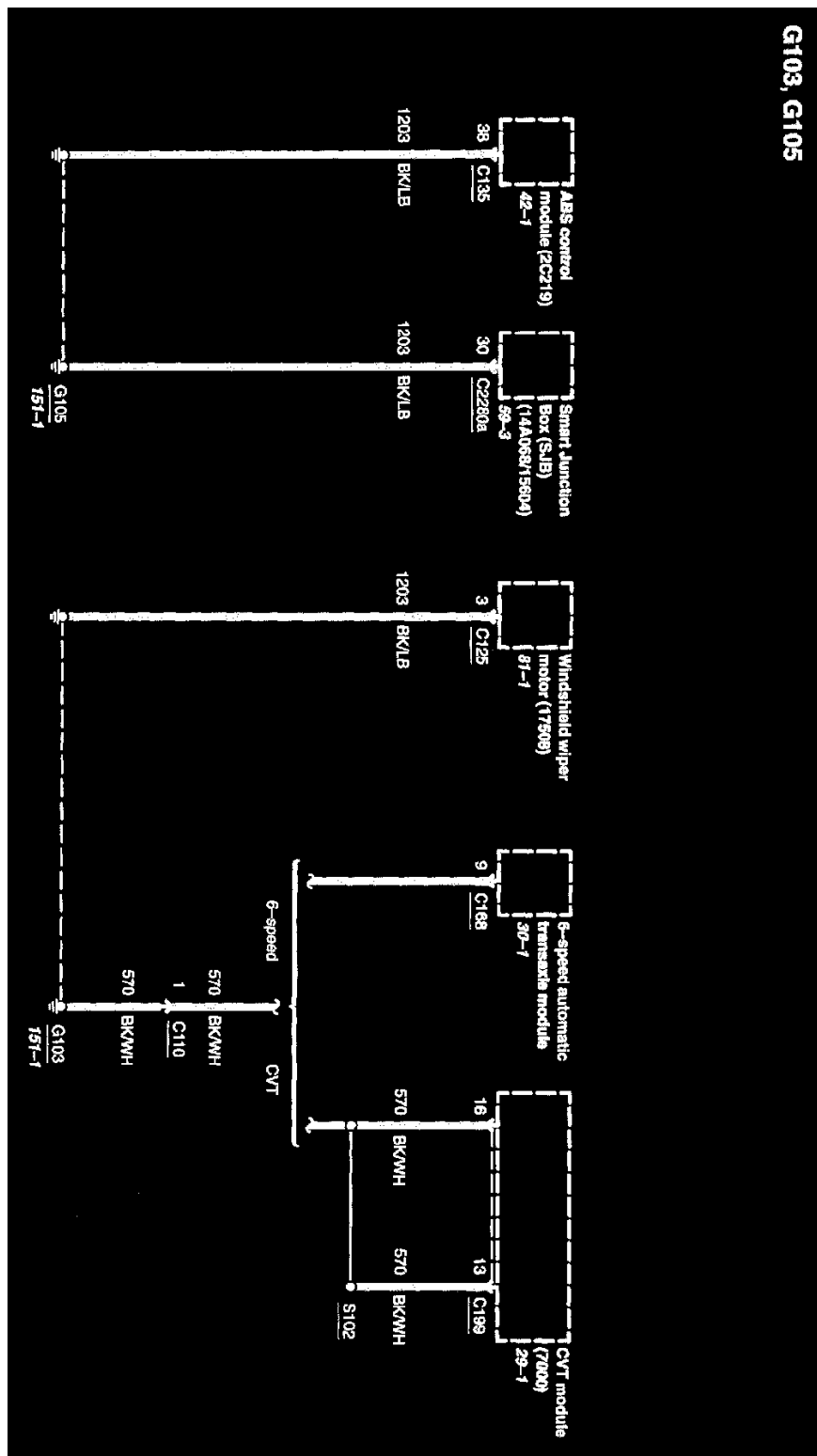


Diagrams: Other diagrams referred to by number (See Diagram #-#, etc.) within these diagrams can be found at **Diagrams By Number**. See: Diagrams/Electrical Diagrams/Diagrams By Number

Locations: Location Views (reference numbers starting with 151-) referred to within these diagrams can be found at **Component Location Views**. See: Diagrams/Components/Component Location Views

G104

PLEASE NOTE: Some diagrams may appear to be missing because of gaps in the number sequences. These "gaps" are actually for diagrams that do not apply to the vehicle model selected.

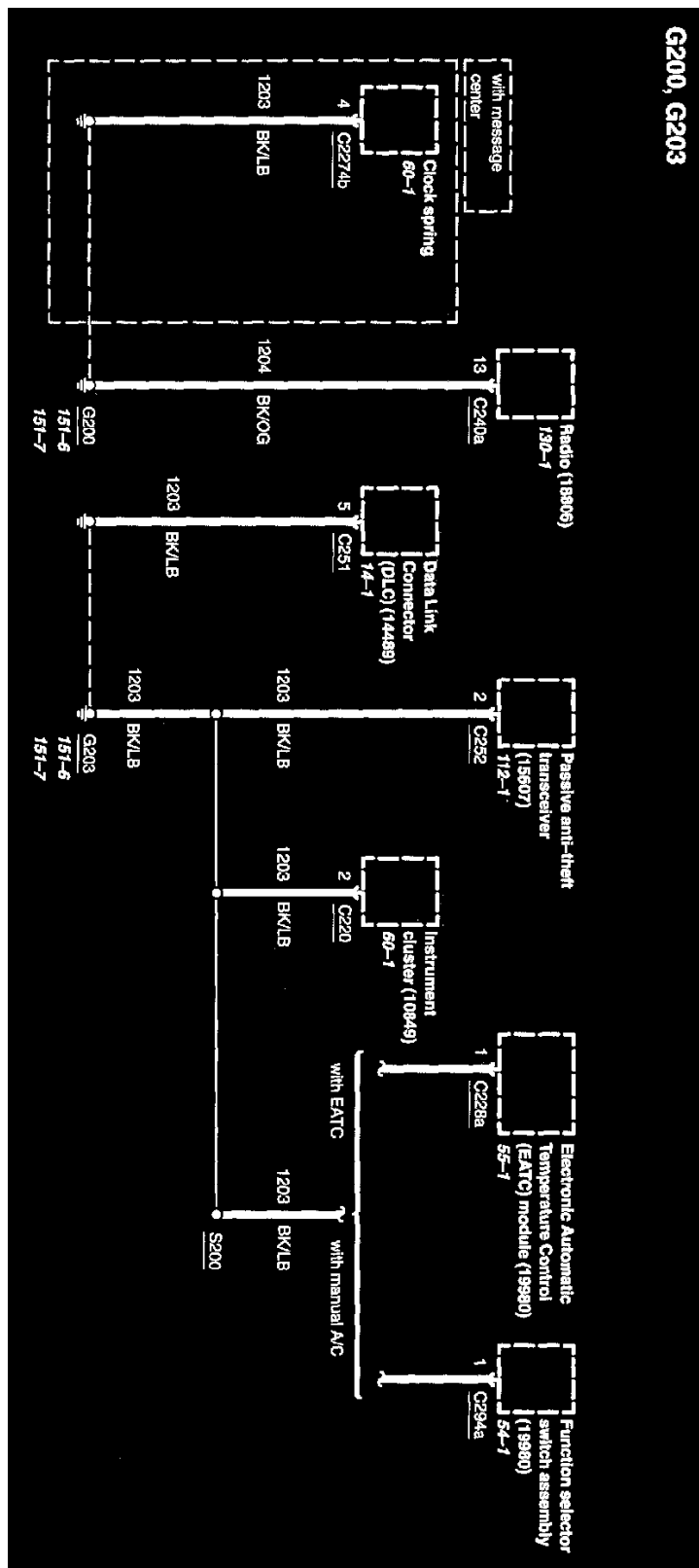


Diagrams: Other diagrams referred to by number (See Diagram #-#, etc.) within these diagrams can be found at **Diagrams By Number**. See: Diagrams/Electrical Diagrams/Diagrams By Number

Locations: Location Views (reference numbers starting with 151-) referred to within these diagrams can be found at **Component Location Views**. See: Diagrams/Components/Component Location Views

G200

PLEASE NOTE: Some diagrams may appear to be missing because of gaps in the number sequences. These "gaps" are actually for diagrams that do not apply to the vehicle model selected.



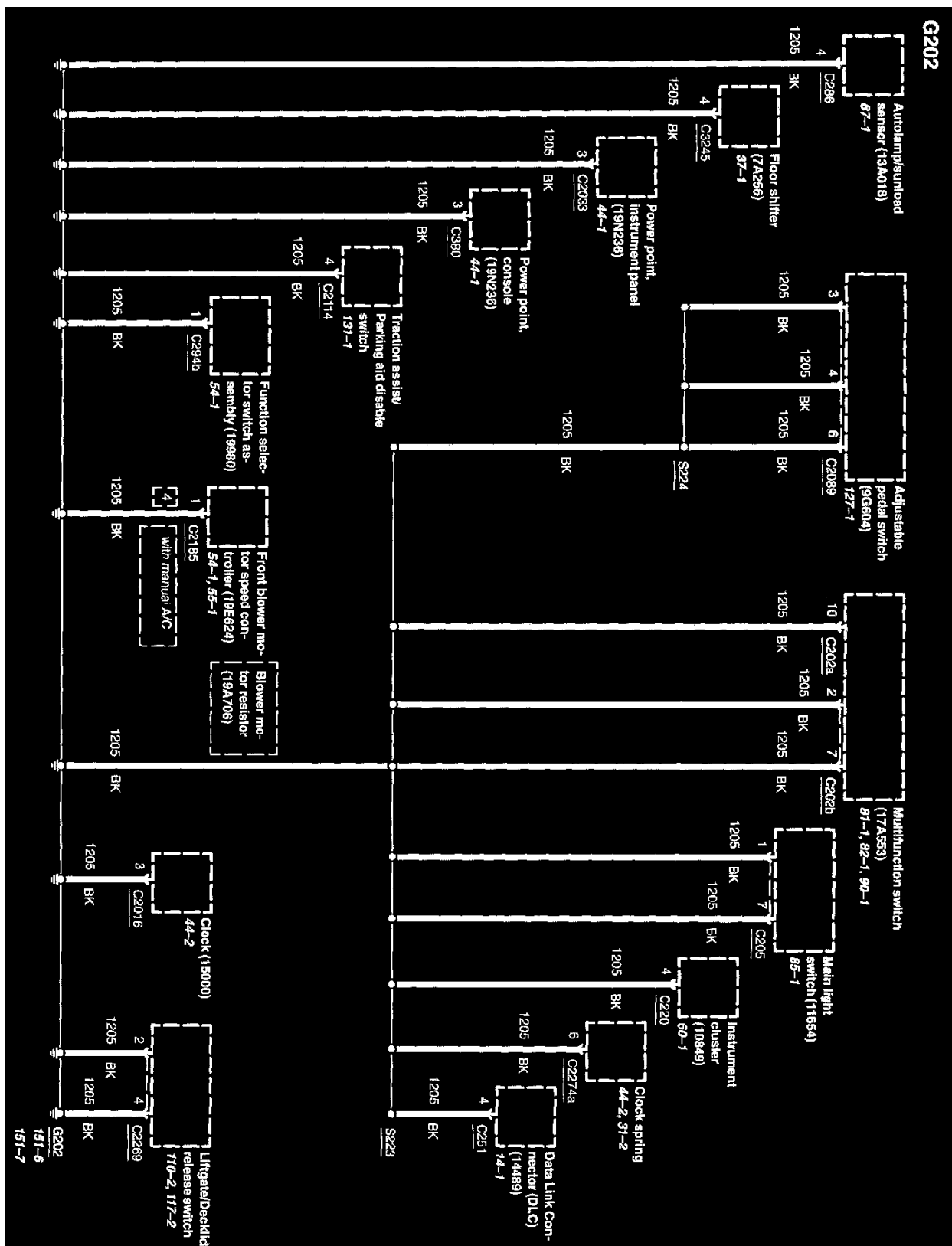
Diagrams: Other diagrams referred to by number (See Diagram #-#, etc.) within these diagrams can be found at **Diagrams By Number**. See: Diagrams/Electrical Diagrams/Diagrams By Number

Locations: Location Views (reference numbers starting with 151-) referred to within these diagrams can be found at **Component Location Views**. See: Diagrams/Components/Component Location Views

G201

PLEASE NOTE: Some diagrams may appear to be missing because of gaps in the number sequences. These "gaps" are actually for diagrams that do not apply to the vehicle model selected.

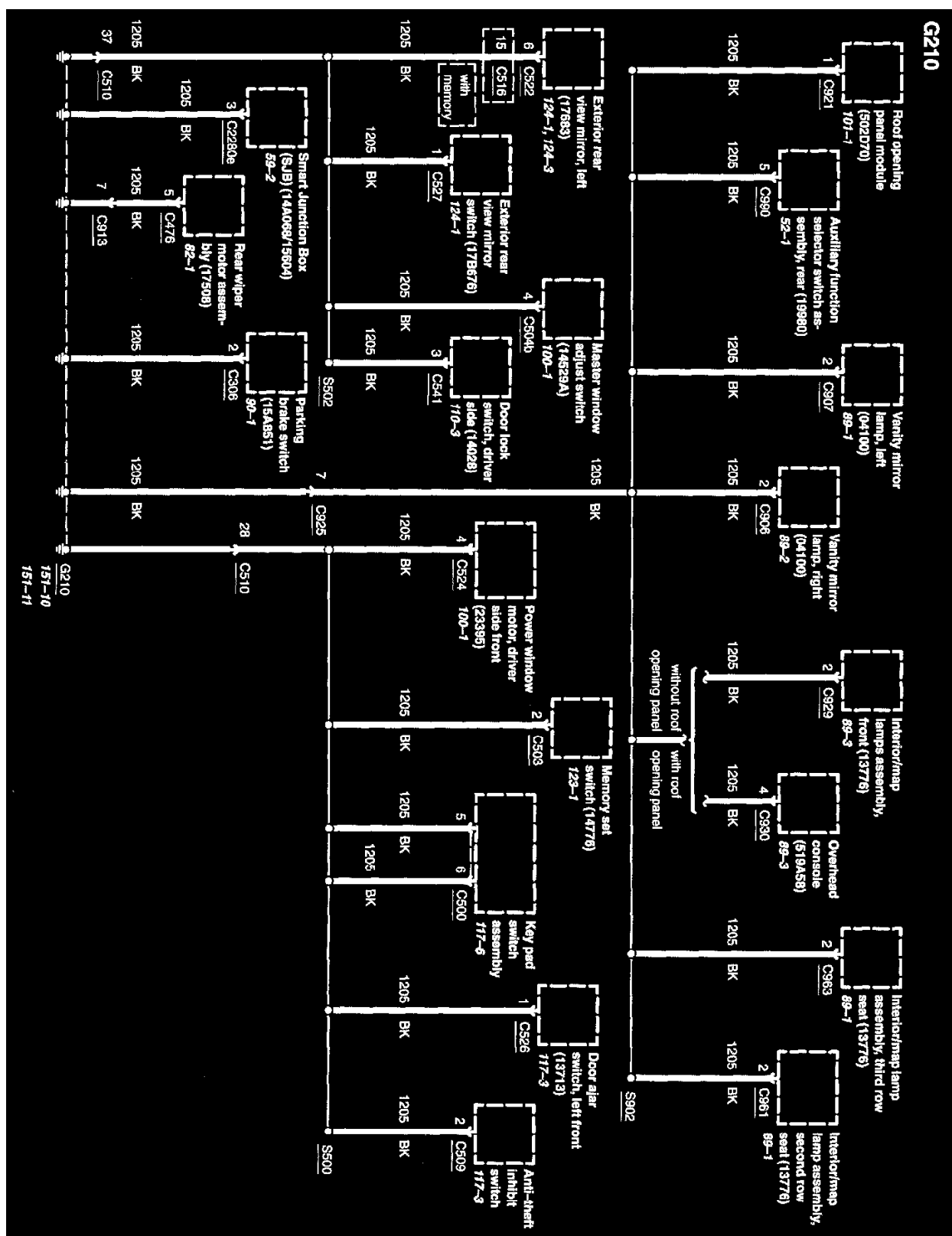
not apply to the vehicle model selected.



Diagrams: Other diagrams referred to by number (See Diagram #-#, etc.) within these diagrams can be found at **Diagrams By Number**. See: **Diagrams/Electrical Diagrams/Diagrams By Number**

Locations: Location Views (reference numbers starting with 151-) referred to within these diagrams can be found at **Component Location Views**. See: **Diagrams/Components/Component Location Views**

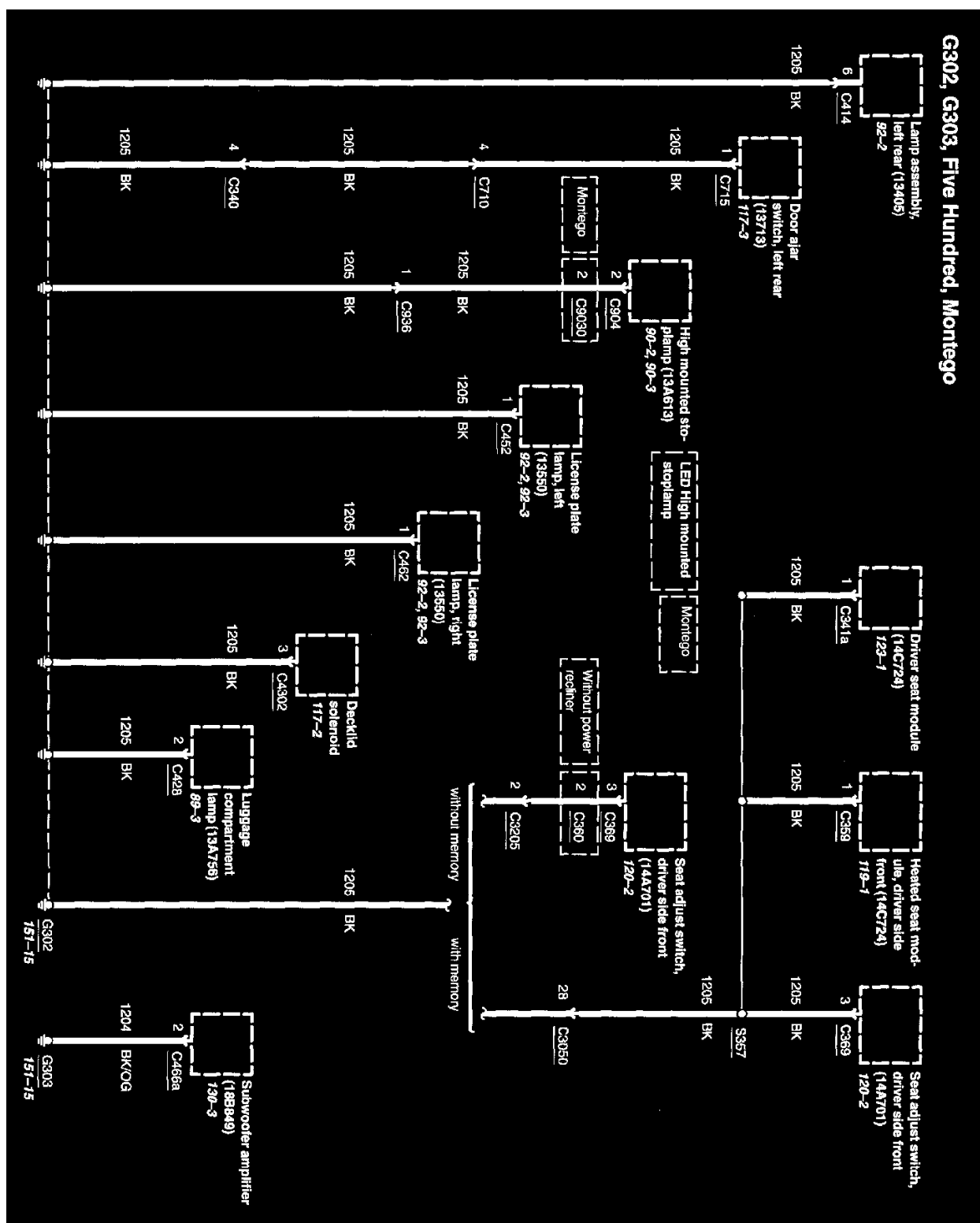
PLEASE NOTE: Some diagrams may appear to be missing because of gaps in the number sequences. These "gaps" are actually for diagrams that do not apply to the vehicle model selected.



Diagrams: Other diagrams referred to by number (See Diagram #-#, etc.) within these diagrams can be found at Diagrams By Number. See: Diagrams/Electrical Diagrams/Diagrams By Number

Locations: Location Views (reference numbers starting with 151-) referred to within these diagrams can be found at Component Location Views. See: Diagrams/Components/Component Location Views

PLEASE NOTE: Some diagrams may appear to be missing because of gaps in the number sequences. These "gaps" are actually for diagrams that do not apply to the vehicle model selected.

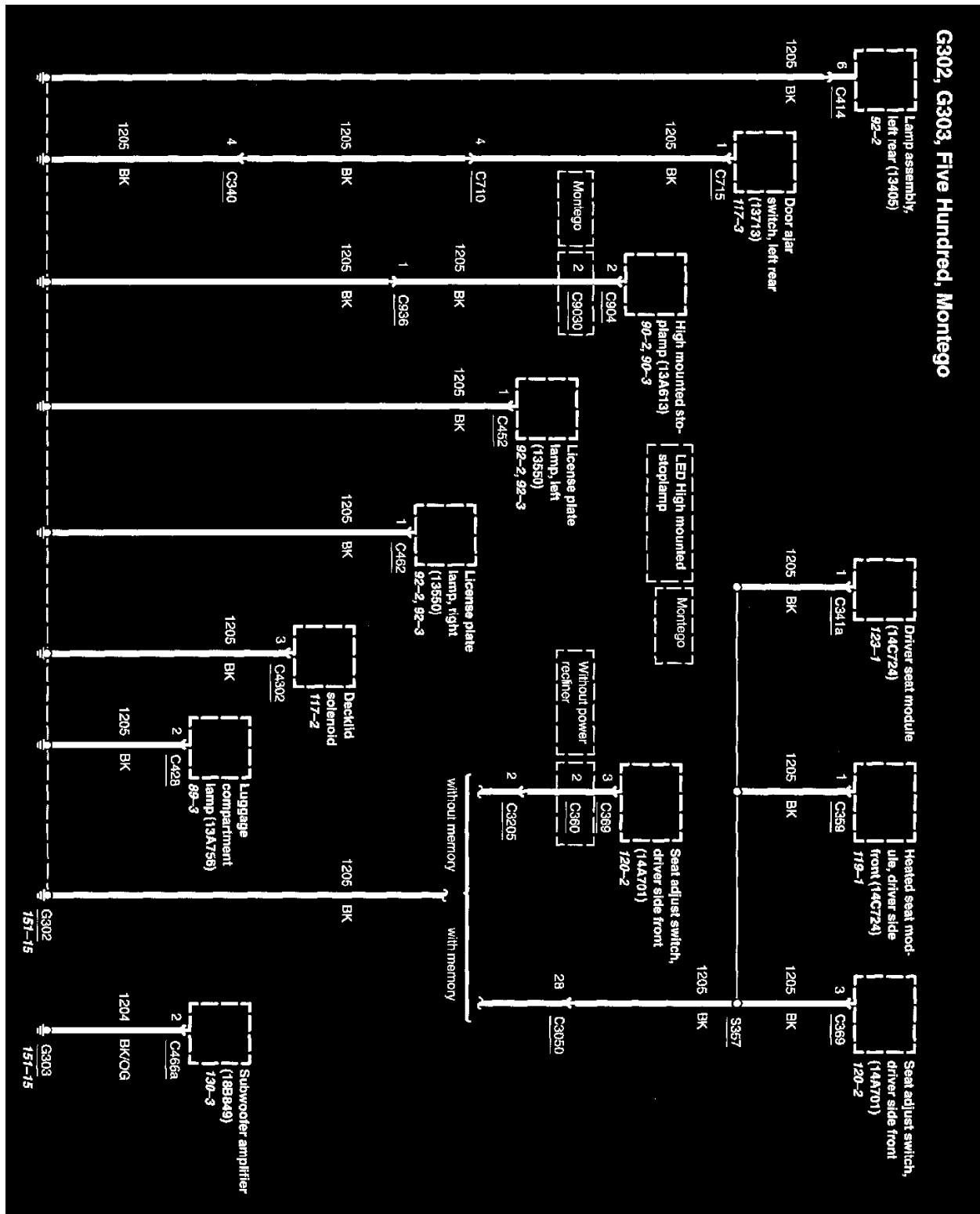


Diagrams: Other diagrams referred to by number (See Diagram #-#, etc.) within these diagrams can be found at **Diagrams By Number**. See: **Diagrams/Electrical Diagrams/Diagrams By Number**

Locations: Location Views (reference numbers starting with 151-) referred to within these diagrams can be found at **Component Location Views**. See: **Diagrams/Components/Component Location Views**

G303

PLEASE NOTE: Some diagrams may appear to be missing because of gaps in the number sequences. These "gaps" are actually for diagrams that do not apply to the vehicle model selected.



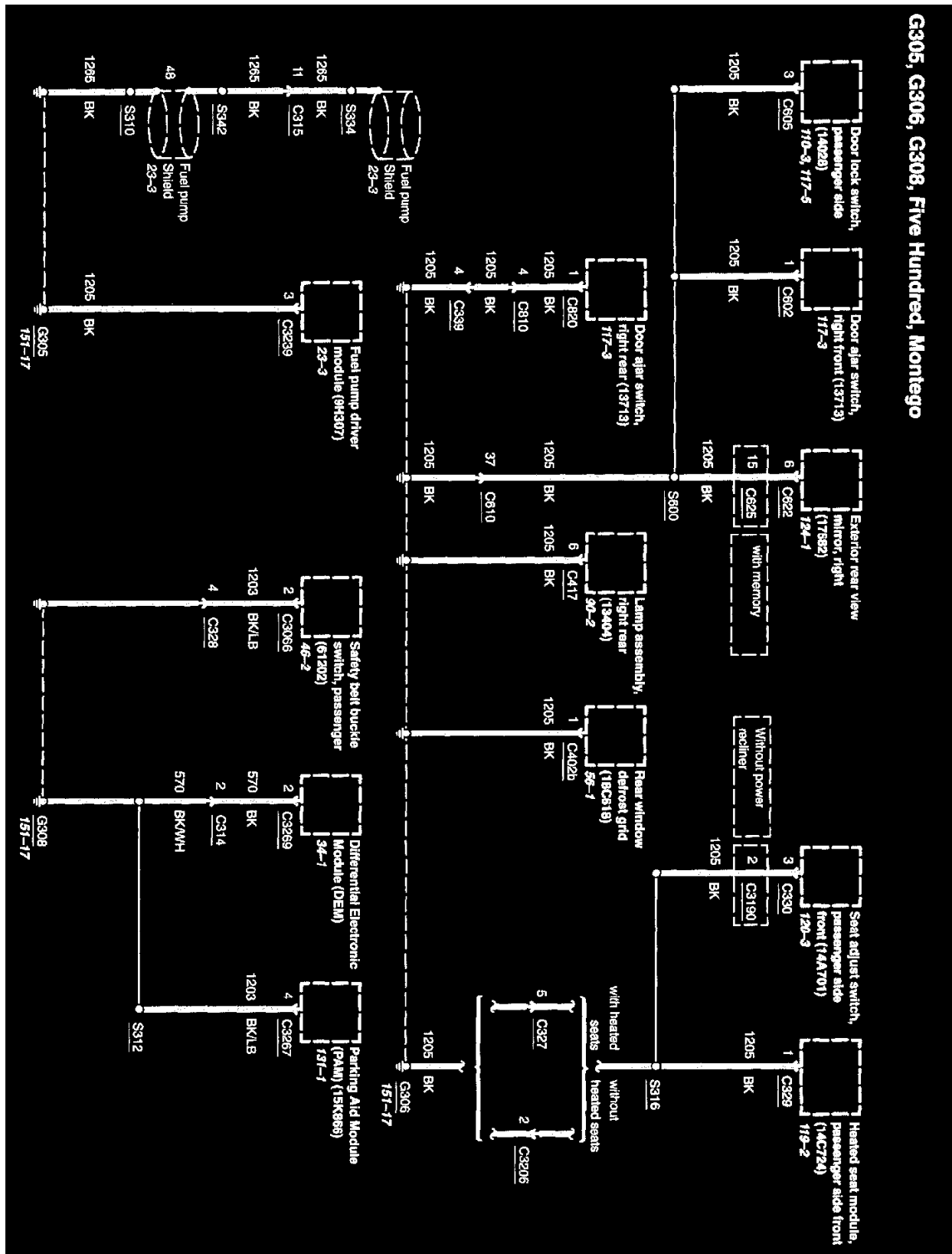
Diagrams: Other diagrams referred to by number (See Diagram #-#, etc.) within these diagrams can be found at **Diagrams By Number**. See: Diagrams/Electrical Diagrams/Diagrams By Number

Locations: Location Views (reference numbers starting with 151-) referred to within these diagrams can be found at **Component Location Views**. See: Diagrams/Components/Component Location Views

G304

PLEASE NOTE: Some diagrams may appear to be missing because of gaps in the number sequences. These "gaps" are actually for diagrams that do not apply to the vehicle model selected.

G305, G306, G308, Five Hundred, Montego



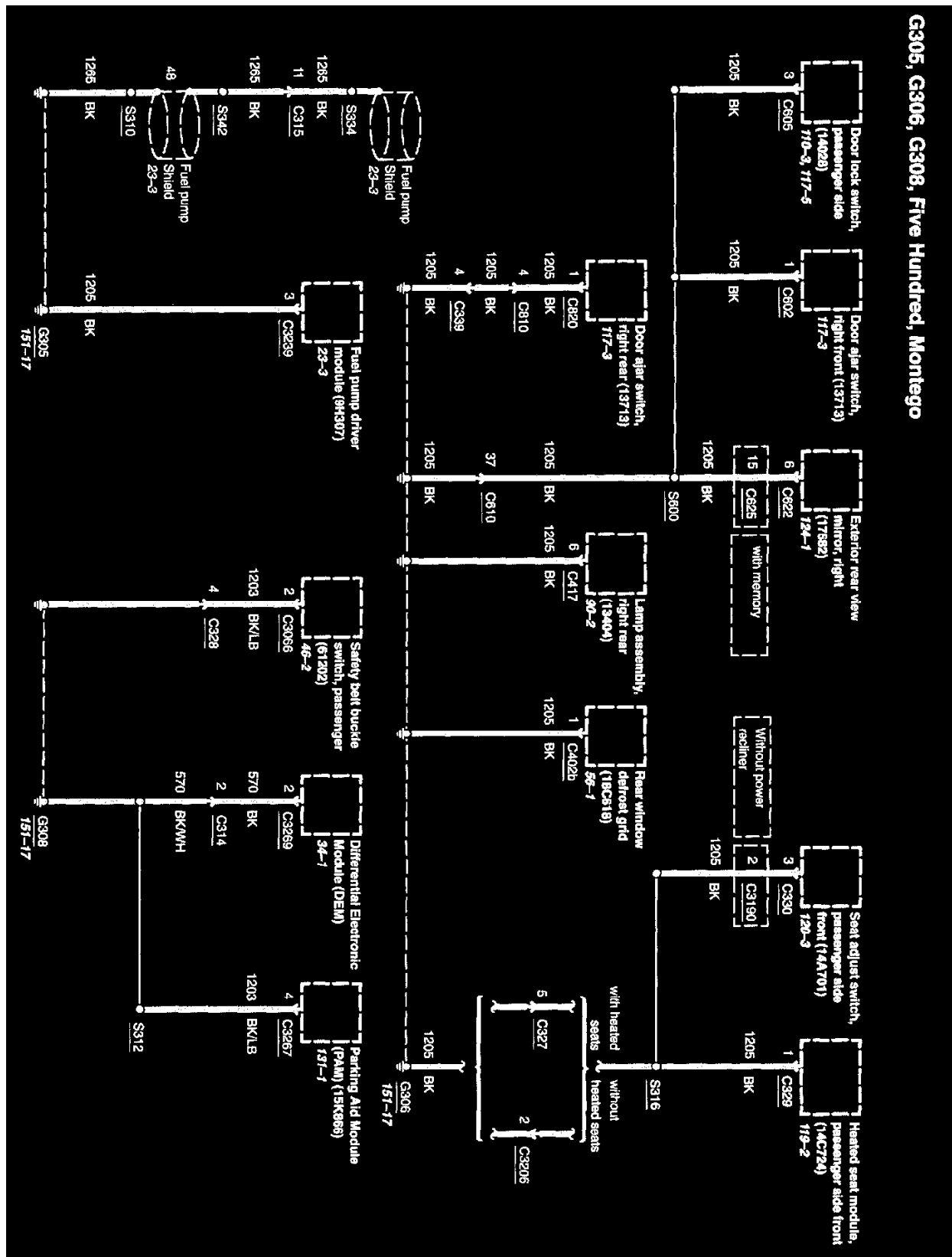
Diagrams: Other diagrams referred to by number (See Diagram #-#, etc.) within these diagrams can be found at **Diagrams By Number**. See: Diagrams/Electrical Diagrams/Diagrams By Number

Locations: Location Views (reference numbers starting with 151-) referred to within these diagrams can be found at **Component Location Views**. See: Diagrams/Components/Component Location Views

G306

PLEASE NOTE: Some diagrams may appear to be missing because of gaps in the number sequences. These "gaps" are actually for diagrams that do

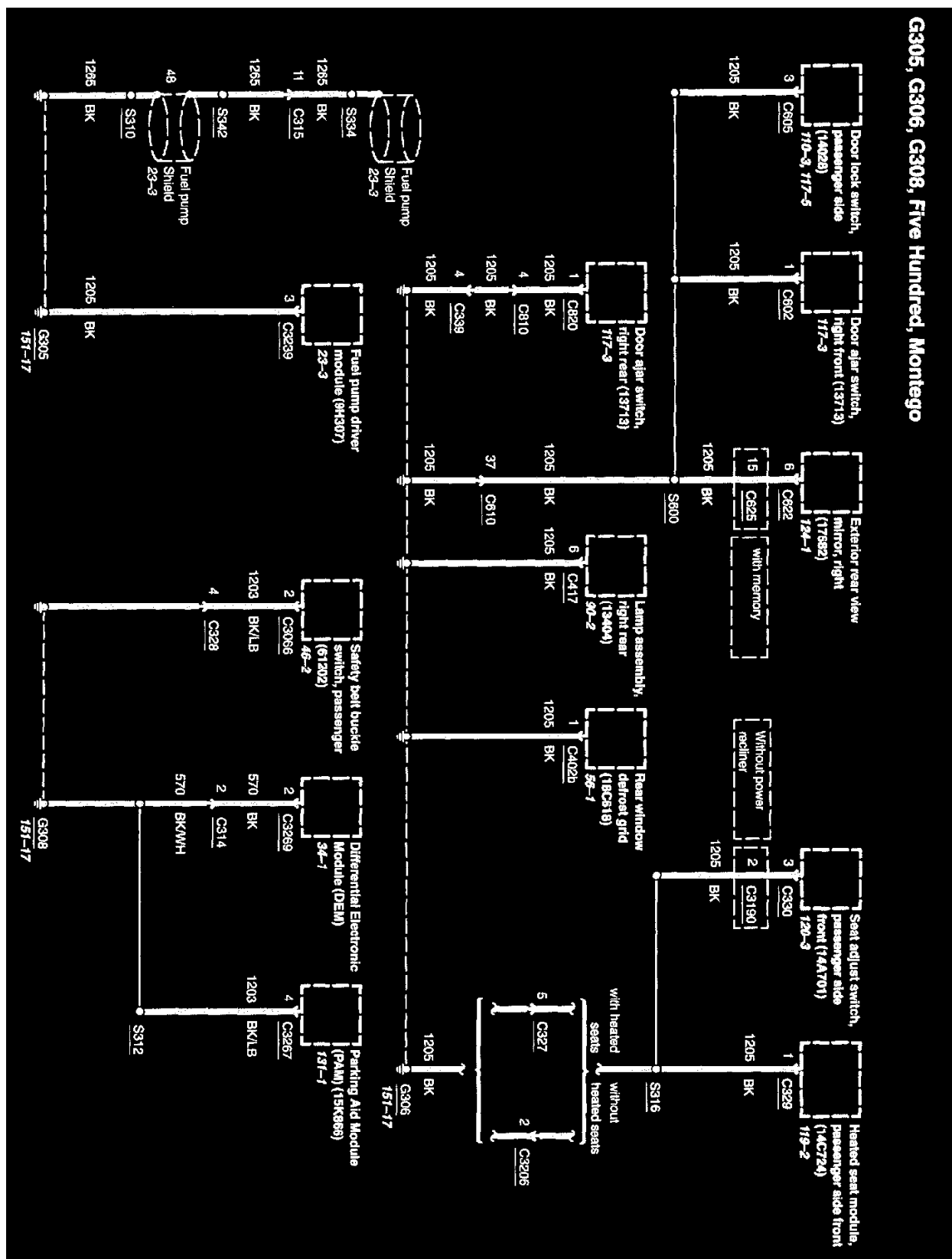
not apply to the vehicle model selected.



Diagrams: Other diagrams referred to by number (See Diagram #-#, etc.) within these diagrams can be found at **Diagrams By Number**. See: **Diagrams/Electrical Diagrams/Diagrams By Number**

Locations: Location Views (reference numbers starting with 151-) referred to within these diagrams can be found at **Component Location Views**. See: **Diagrams/Components/Component Location Views**

PLEASE NOTE: Some diagrams may appear to be missing because of gaps in the number sequences. These "gaps" are actually for diagrams that do not apply to the vehicle model selected.



Diagrams: Other diagrams referred to by number (See Diagram #-#, etc.) within these diagrams can be found at **Diagrams By Number**. See: [Diagrams/Electrical Diagrams/Diagrams By Number](#)

Locations: Location Views (reference numbers starting with 151-) referred to within these diagrams can be found at **Component Location Views**. See: [Diagrams/Components/Component Location Views](#)