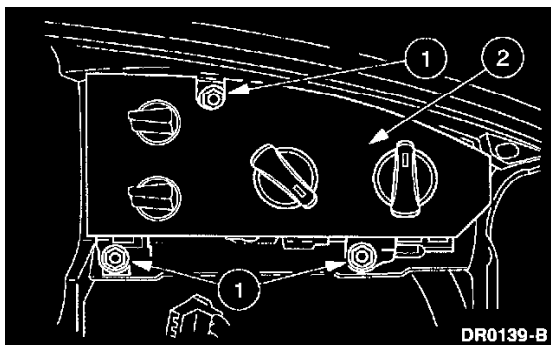


## Control Assembly: Service and Repair

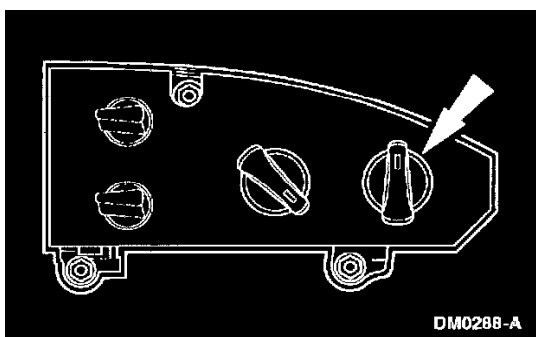
### Climate Control Switches

#### REMOVAL

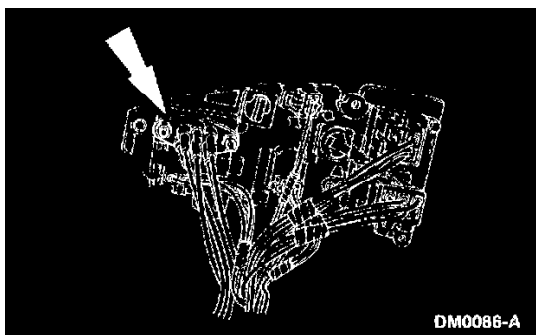
1. Disconnect the battery ground cable.
2. Remove the center trim panel.



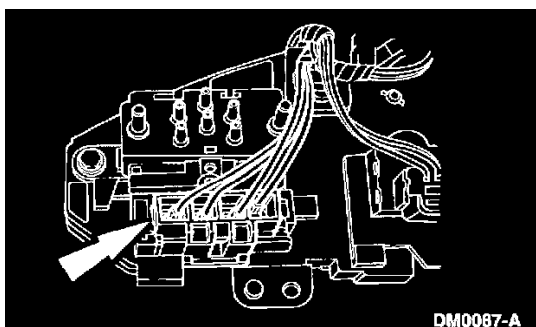
3. Remove the control assembly.
  1. Remove the screws.
  2. Remove the control assembly.



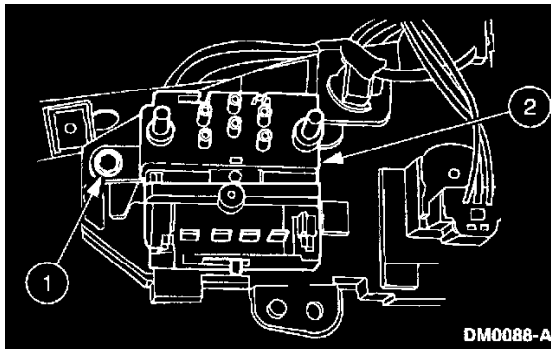
4. Remove the A/C-heater function selector switch knob.



5. Disconnect the vacuum harness connector.

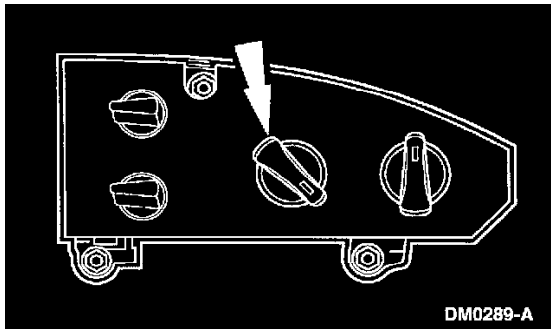


6. Disconnect the A/C-heater function selector switch connector.

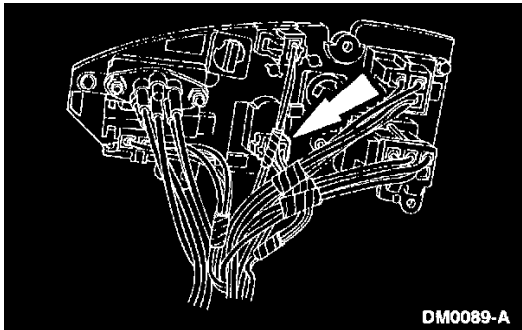


7. Remove the A/C-heater function selector switch.

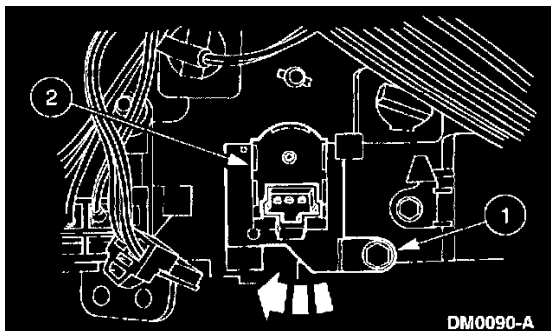
1. Remove the screw.
2. Remove the A/C-heater function selector switch.



8. Remove the temperature control switch knob.

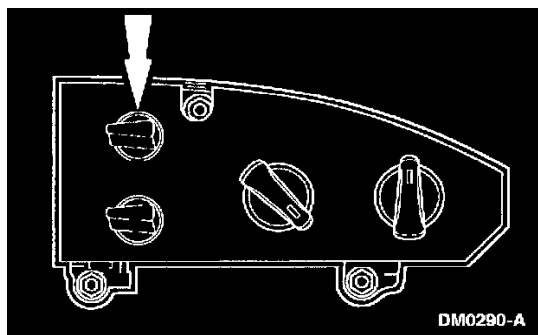


9. Disconnect the temperature control switch connector.

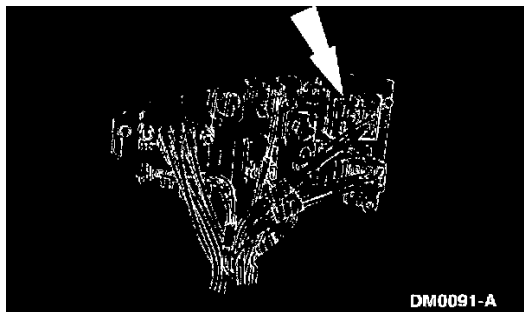


10. Remove the temperature control switch.

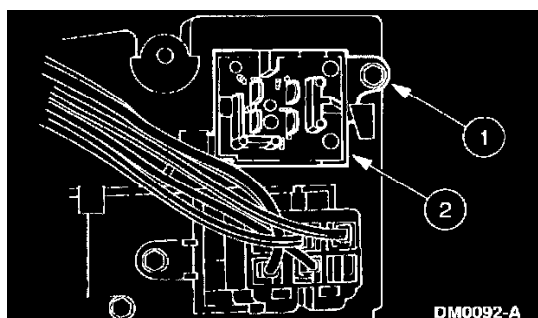
1. Remove the screw.
2. Remove the temperature control switch.



11. Remove the heater blower motor switch knob.



12. Disconnect the heater blower motor switch connector.



13. Remove the heater blower motor switch.
  1. Remove the screw.
  2. Remove the heater blower motor switch.

## INSTALLATION

1. Follow the removal procedure in reverse order.