

### RANGER TRAILER TOW WIRING INSTALLATION

One trailer tow jumper wiring harness (XL54-13A576-AA) is supplied with this kit to connect trailer tow circuitry from your vehicle to your trailer. See Figure 1 for description of parts in kit. The following steps will assist you in the installation of the jumper harness.

- 1) Locate vehicle connector (Item #1) under the rear bumper on the left side of the vehicle. See Figure 2 for illustration.
  - 2) Remove gray plastic cap (Item #2) from vehicle connector (Item #1) and secure it to the strap on the vehicle harness. See Figure 3 for illustration.
  - 3) Remove trailer tow bracket, carriage bolt and nut from kit. Install bracket under bumper and secure it in place with the attaching hardware in proper orientation as shown in Figure 2.
  - 4) Remove jumper harness from kit, the jumper harness has an 8-circuit connector (Item #3) and one 4-circuit connector (Item #4).
  - 5) Plug jumper harness 8-circuit connector (Item #3) into vehicle harness connector (Item #1). Refer to Figure 2 for illustration.
  - 6) Slide 4-circuit connector (Item #4) into slot in the trailer tow bracket. Make sure connector is slid past the locking tabs to secure it properly in place as shown in figure 2.
  - 7) Plug connector on trailer to jumper harness 4-circuit connector (Item #4). (Note: If more jumper harness length is needed to make a proper fit to the trailer connector, remove jumper harness connector (Item #4) from the trailer tow bracket and, if required, the jumper harness from the appropriate trailer tow clip to provide the necessary length. Reinstall jumper harness 4 circuit connector (Item #4) to trailer tow bracket and reinstall jumper harness to proper trailer tow clip after trailer tow use for proper storage.)
- B) Verify proper function of the trailer lamps prior to operating your vehicle.

Be sure to reinstall the cap (Item #2) on the vehicle connector (Item #1) when the trailer tow jumper wiring harness kit is removed from vehicle.

**WARNING:**  
The vehicle circuitry has complete electrical fuse protection. Protection will extend only to trailers wired with 16 gauge or heavier wiring. Trailer wired with conductors less than 16GA will require added fuses to be completely electrically protected. Do not replace any factory installed fuses or circuit breakers with devices allowing greater currents.

If an auxiliary battery or other power source will be used to power any of the circuit connected to the vehicle, special provisions are required to prevent damage to the electrical system. Consult your dealer before connecting any such system.

Total trailer steady state load is not to exceed 16 amps. Including stop and turn lamps. A short circuit or electrical overload in the trailer wiring can result in a blown fuse or damaged trailer tow relay in the vehicle. See Figure 4 for wiring color code designation.

COLOR	FUNCTION	COMMENT
A) DARK GREEN	TRAILER RH TURN SIGNAL	RELAY CONTROLLED CIRCUIT ACTIVATED WHEN BRAKE PEDAL IS DEPRESSED OR WHEN IGNITION IS ON AND RH TURN SIGNAL IS APPLIED.
B) YELLOW	TRAILER LH TURN SIGNAL	RELAY CONTROLLED CIRCUIT ACTIVATED WHEN BRAKE PEDAL IS DEPRESSED OR WHEN IGNITION IS ON AND LH TURN SIGNAL IS APPLIED.
C) TAN/WHITE	TAIL LAMP	RELAY CONTROLLED CIRCUIT ACTIVATED WHEN PARK/HEAD LAMPS ARE ON.
D) WHITE	GROUND	MATCHING VEHICLE CIRCUIT RETURNS TO BATTERY'S NEGATIVE GROUND.

FIG. 1

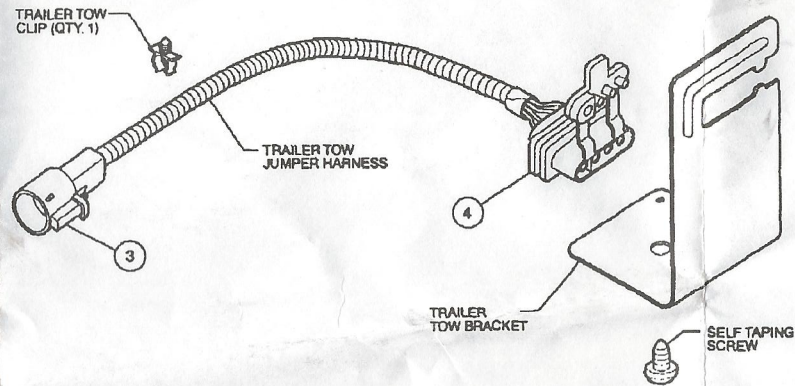


FIG. 2

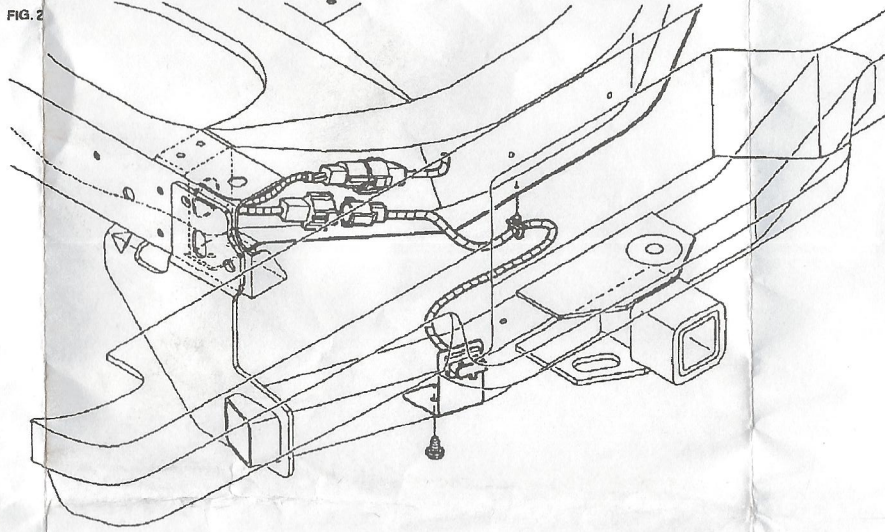


FIG. 3

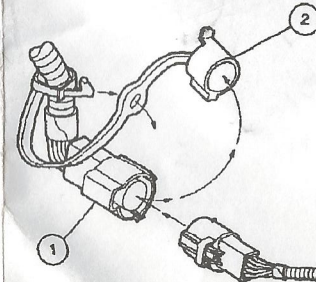
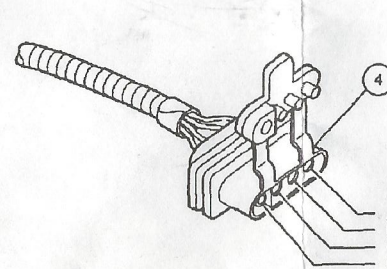


FIG. 4



NO. SK-XL54-15A416-CA		REVISIONS			
LET	DATE	REVISED BY	CHECKER	APPROVAL	CAD
		REL SK-XL54-15A416-CA			
		1800-1-10721730-043(10)			
	971125	UTA	TIC	V. DEMARE	NO
REV SKETCH TO REFLECT NEW TRAILER TOW BRACKET					
		1800-E-1095001-017(10)			
	980420	UTA	TIC	V. DEMARE	NO

PART MUST COMPLY WITH SPECIFICATION WSS-M99P9003-A1 TO HELP SAFEGUARD HEALTH, SAFETY AND THE ENVIRONMENT



PRODUCT ENGINEERING

□ COMPUTER □ MANUAL A2 ROLL 51  
CAD COL INDICATES GRAPHIC DATA LEVEL ORIGINAL WHEN RED

DO NOT SCALE ABOVE SCALE FOR REFERENCE ONLY  
MODEL RANGER-WITH CLASS II TRAILER TOW

REF	DRAWN BY	DATE	CHECKED	SCALE	APPROVED
	T.I.C.	971125	UTA	NONE	

UNLESS OTHERWISE SPECIFIED -  
DIMENSIONS ARE IN  
□ INCHES □ MILLIMETERS 3RD ANGLE PROJECTION  
MACHINED DIM ± STAMPED DIM ±  
ANGULAR DIM ± DIM ±

MATERIAL	APP.
-NOTED-	DATE

NAME SKETCH KIT TRAILER TOW LAMP PLUG

NO. SK-XL54-15A416-CA