

Power and Ground Distribution: Electrical Diagrams

Fuse Circuits

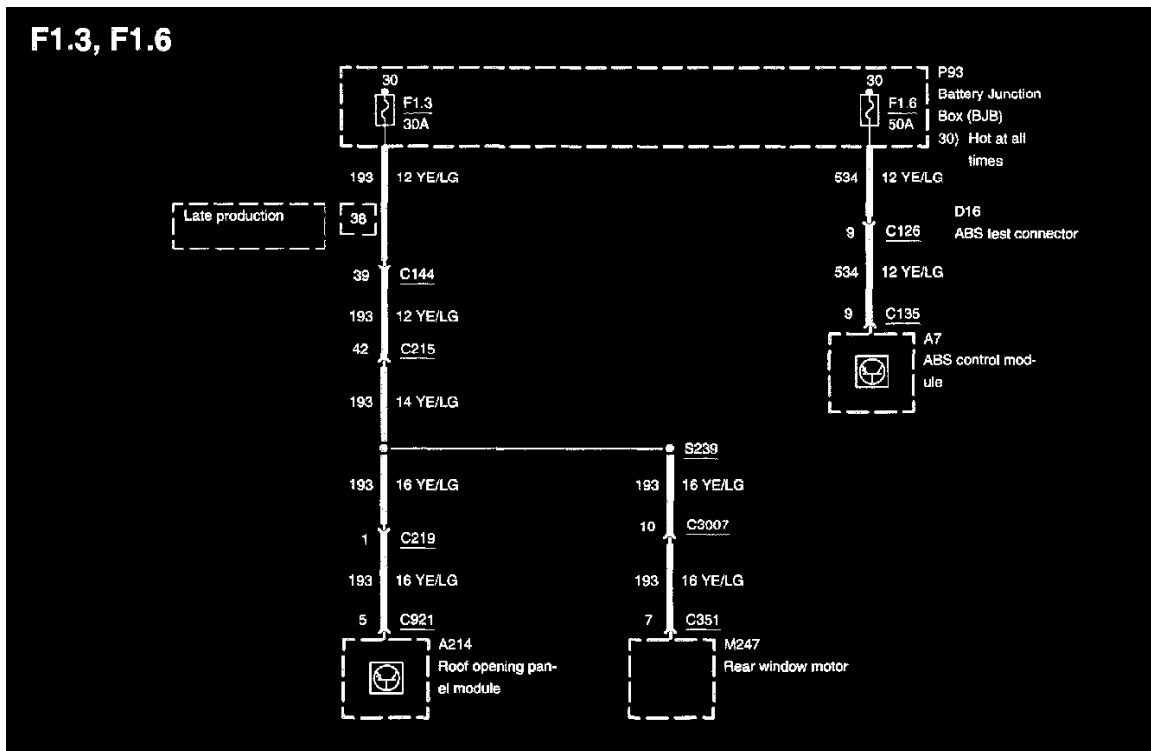


Diagram 700-03-00-1

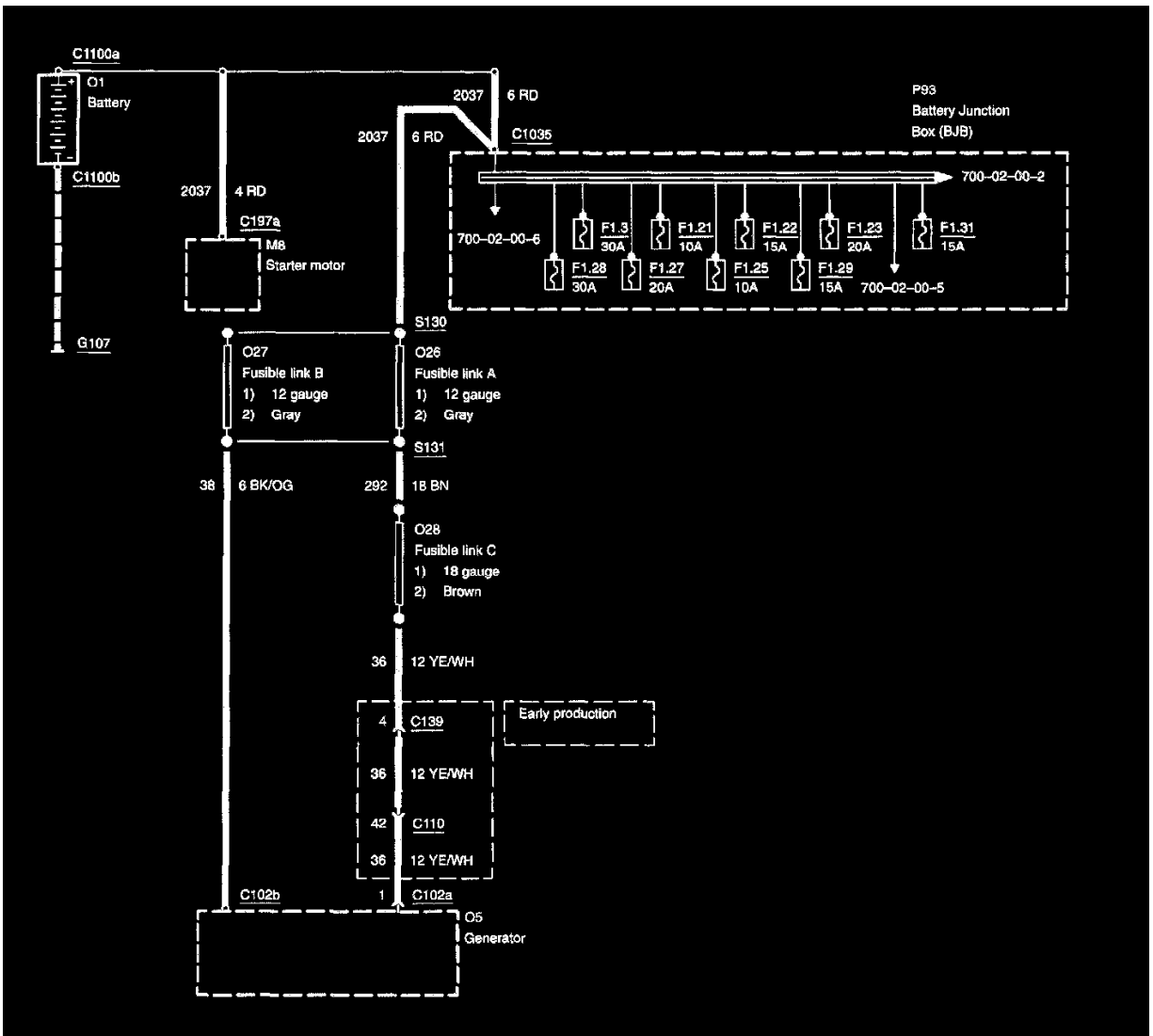


Diagram 700-02-00-1

F 1.6

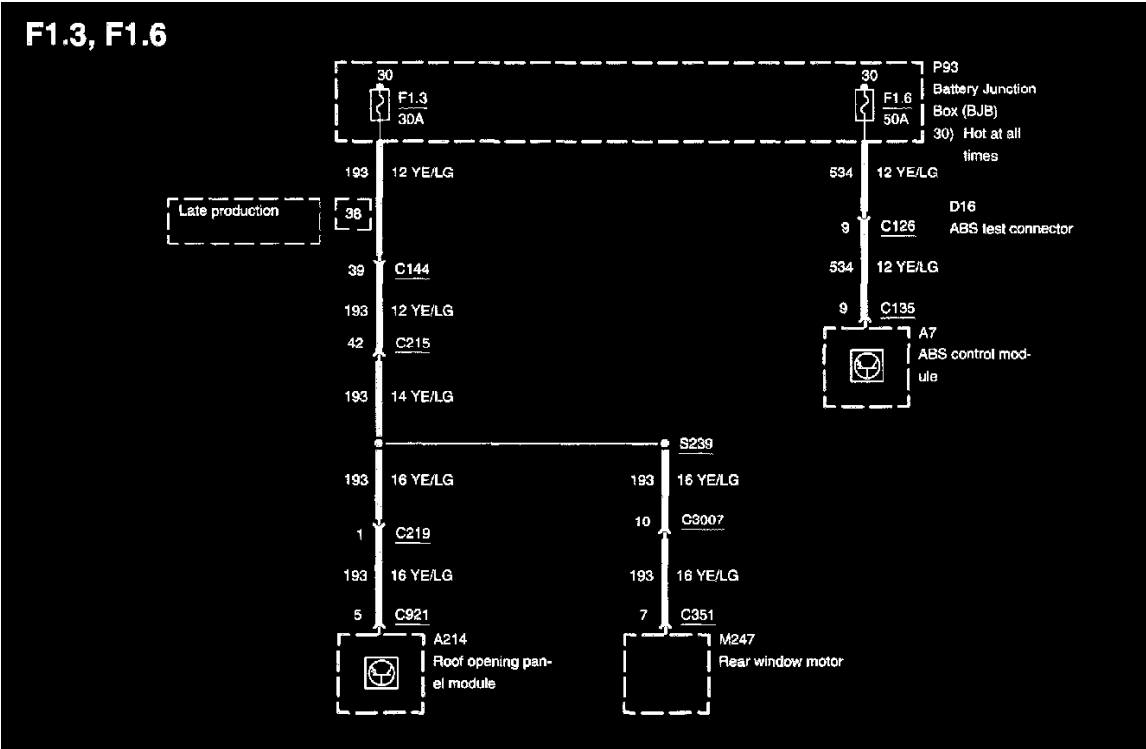


Diagram 700-03-00-1

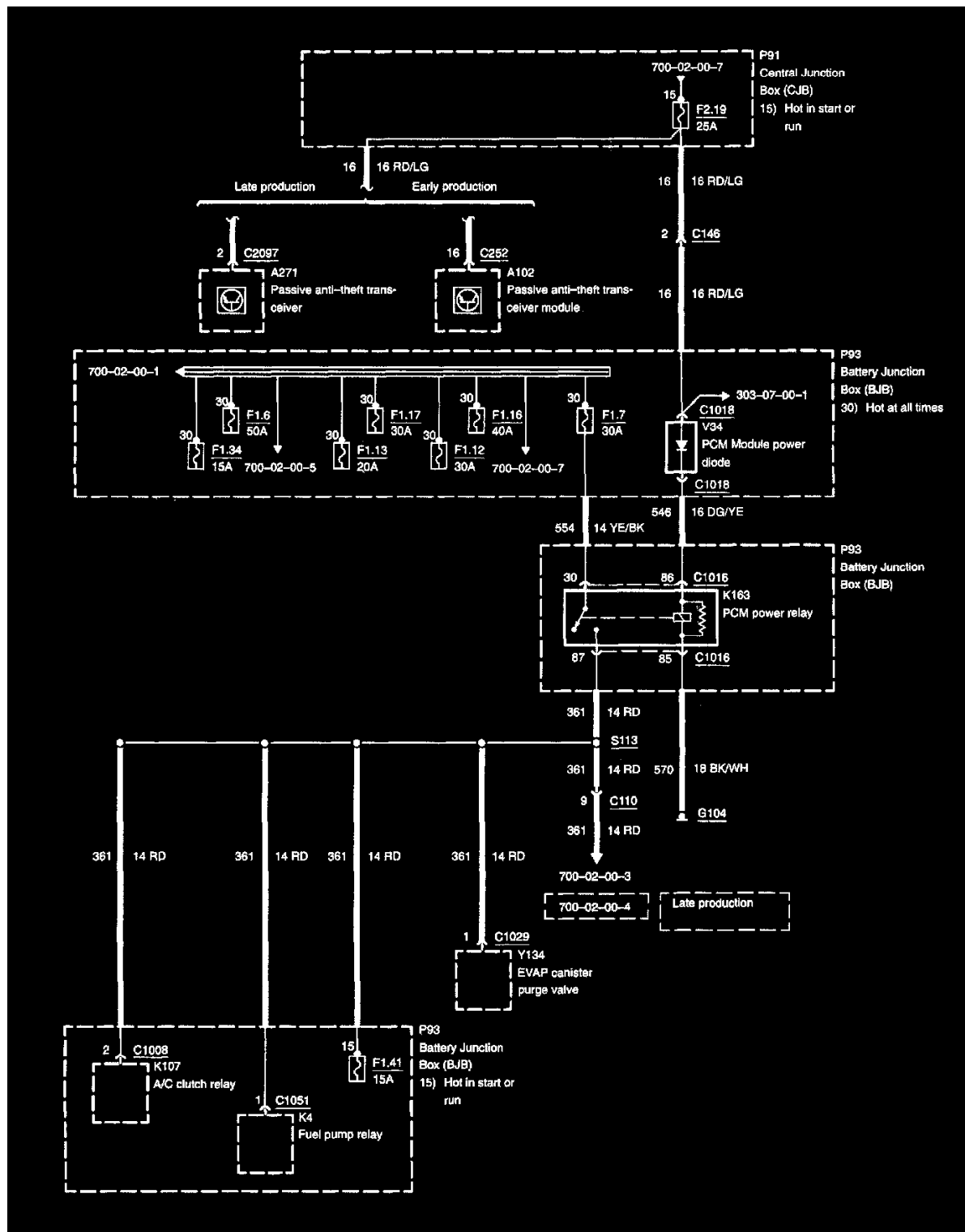


Diagram 700-02-00-2

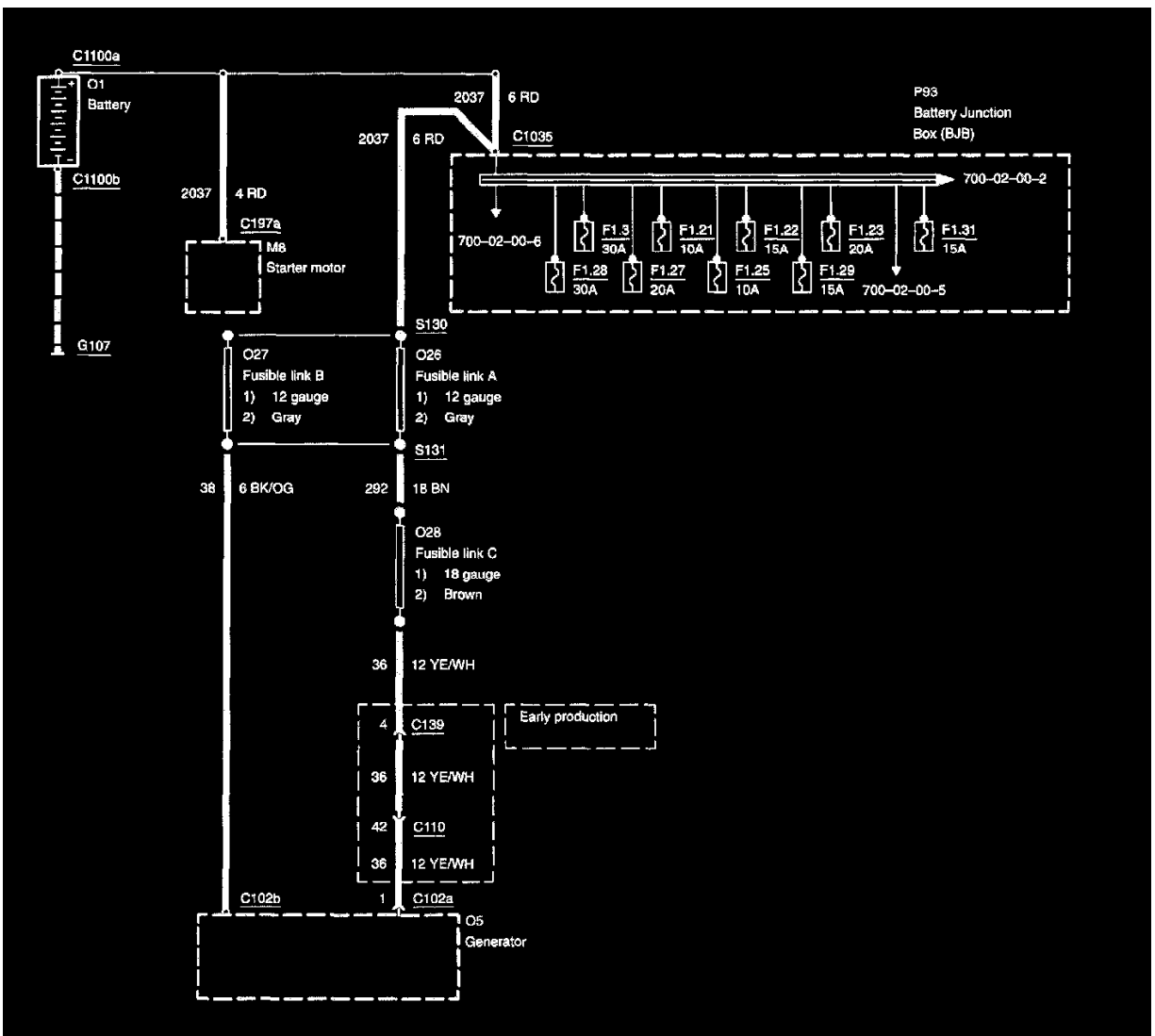


Diagram 700-02-00-1

F 1.12

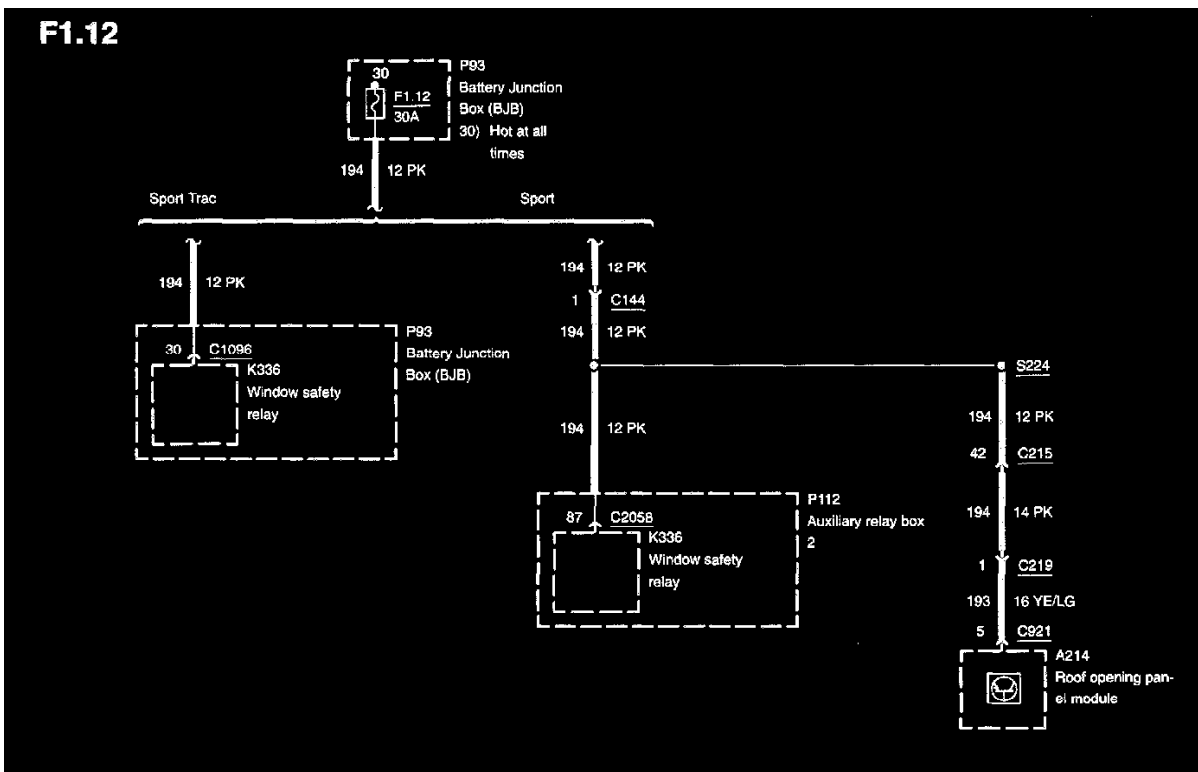


Diagram 700-03-00-2

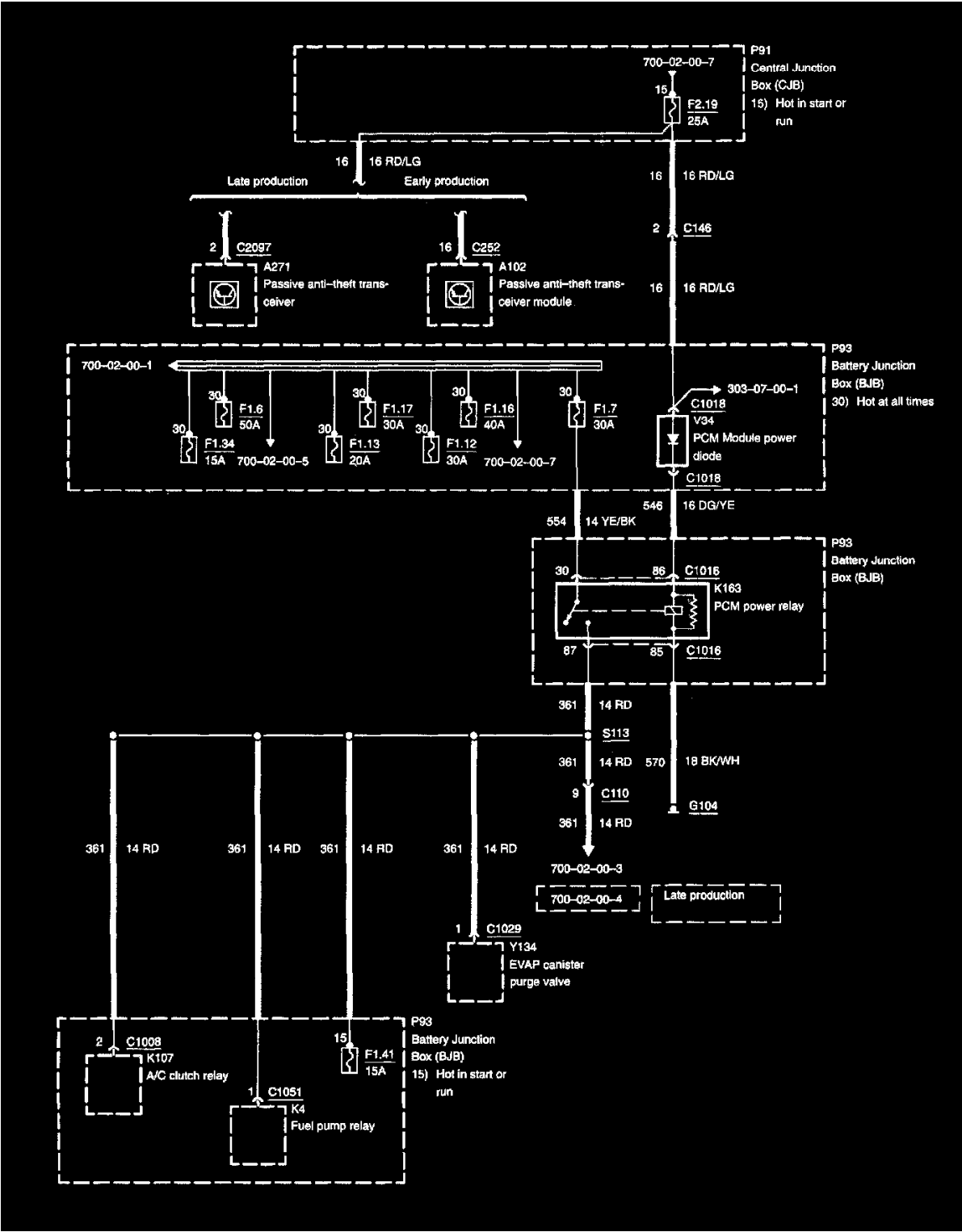


Diagram 700-02-00-2

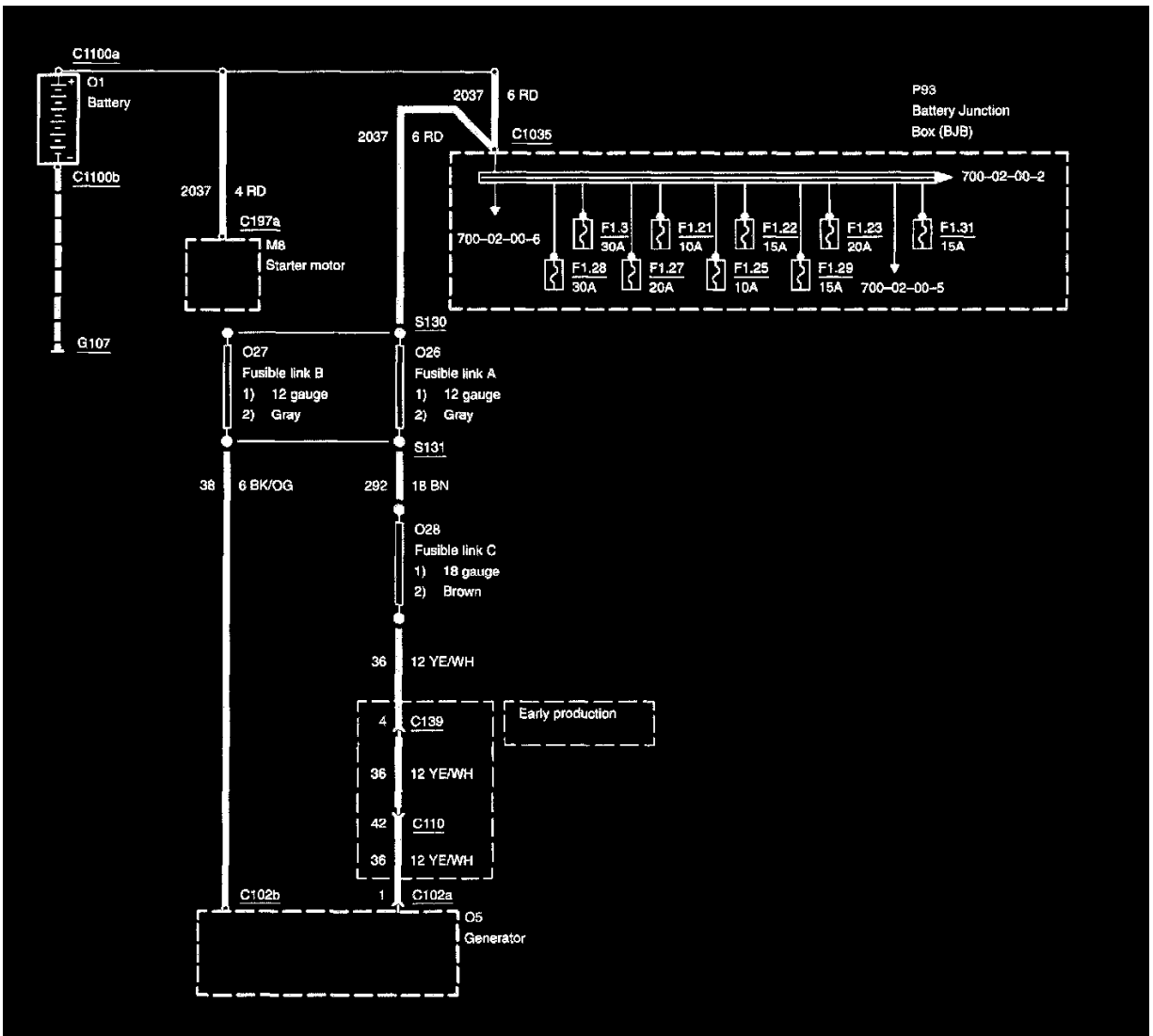


Diagram 700-02-00-1

F 1.13

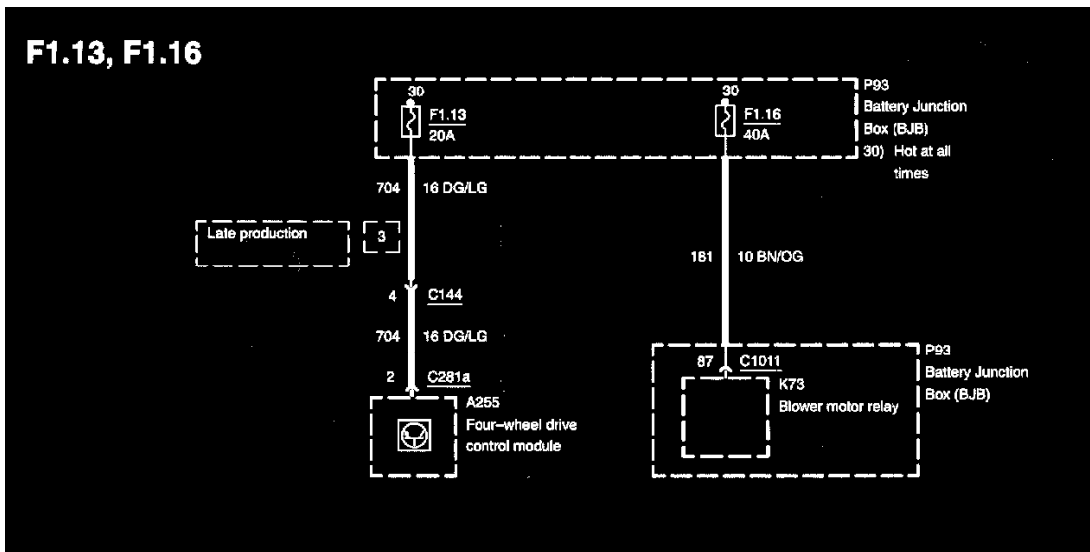


Diagram 700-03-00-3

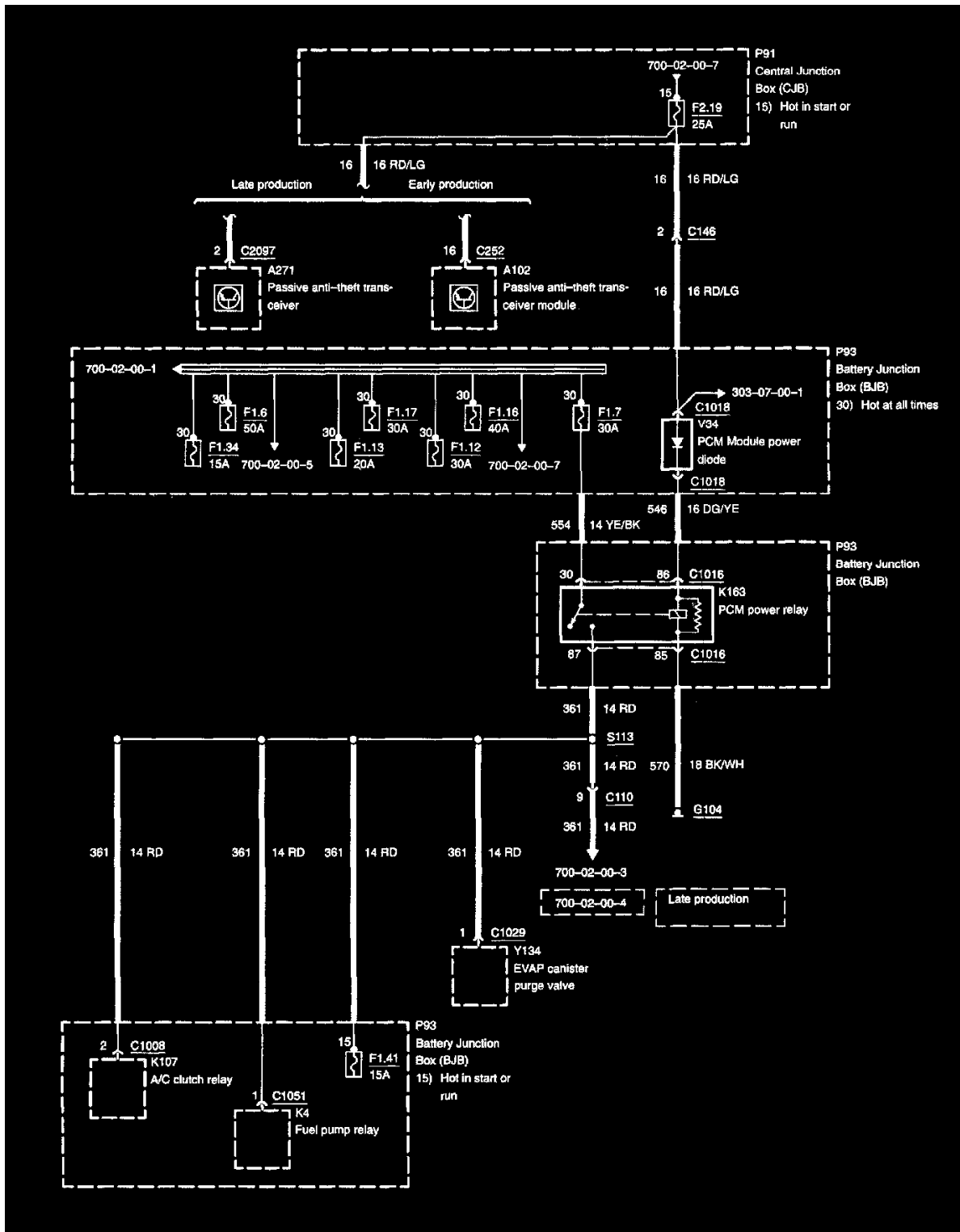


Diagram 700-02-00-2

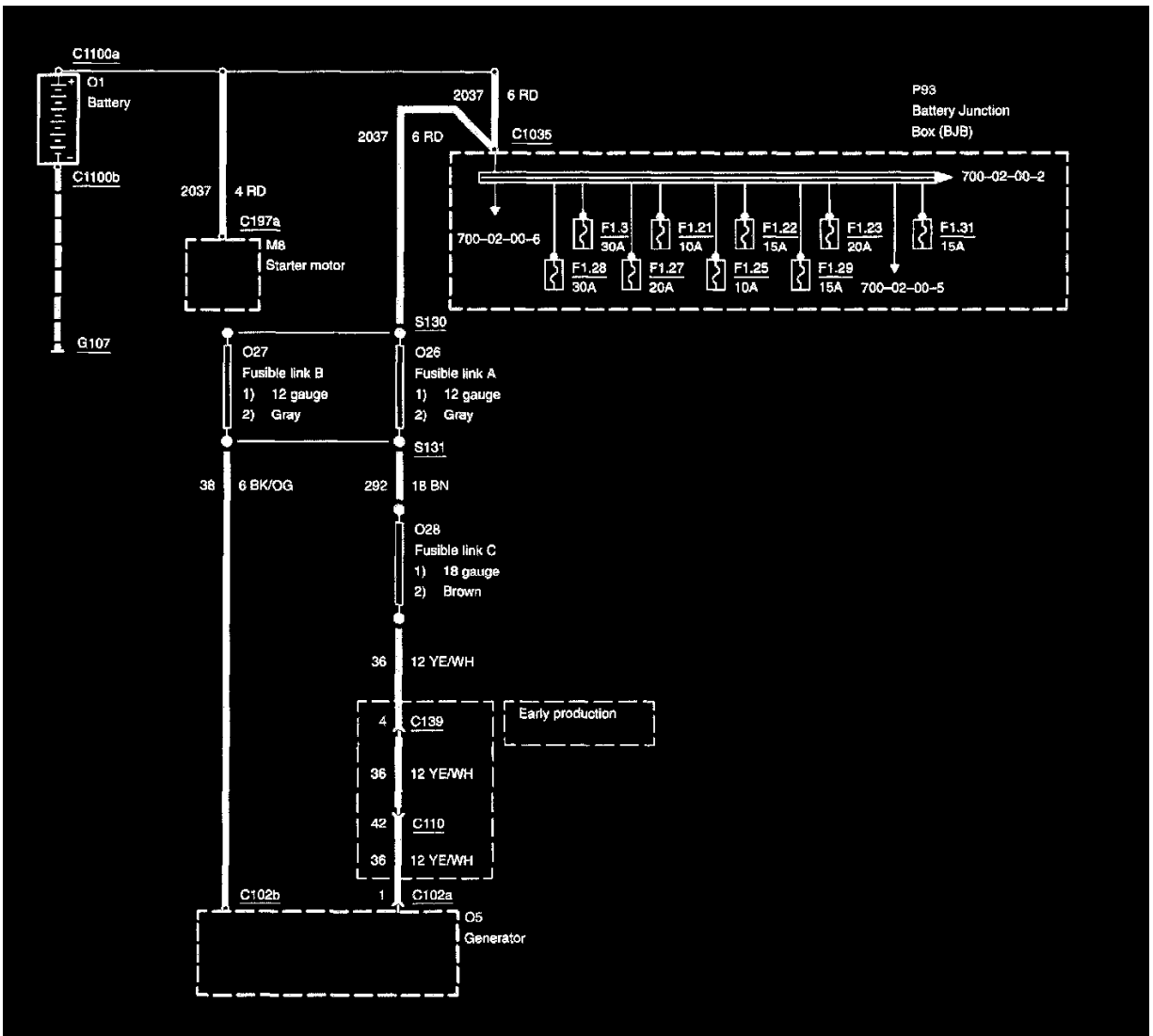


Diagram 700-02-00-1

F 1.16

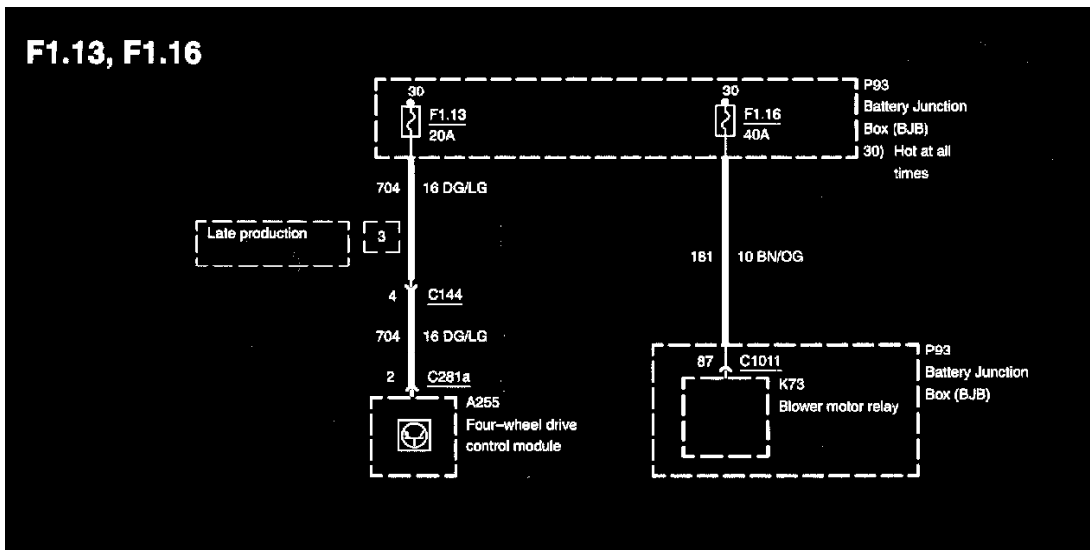


Diagram 700-03-00-3

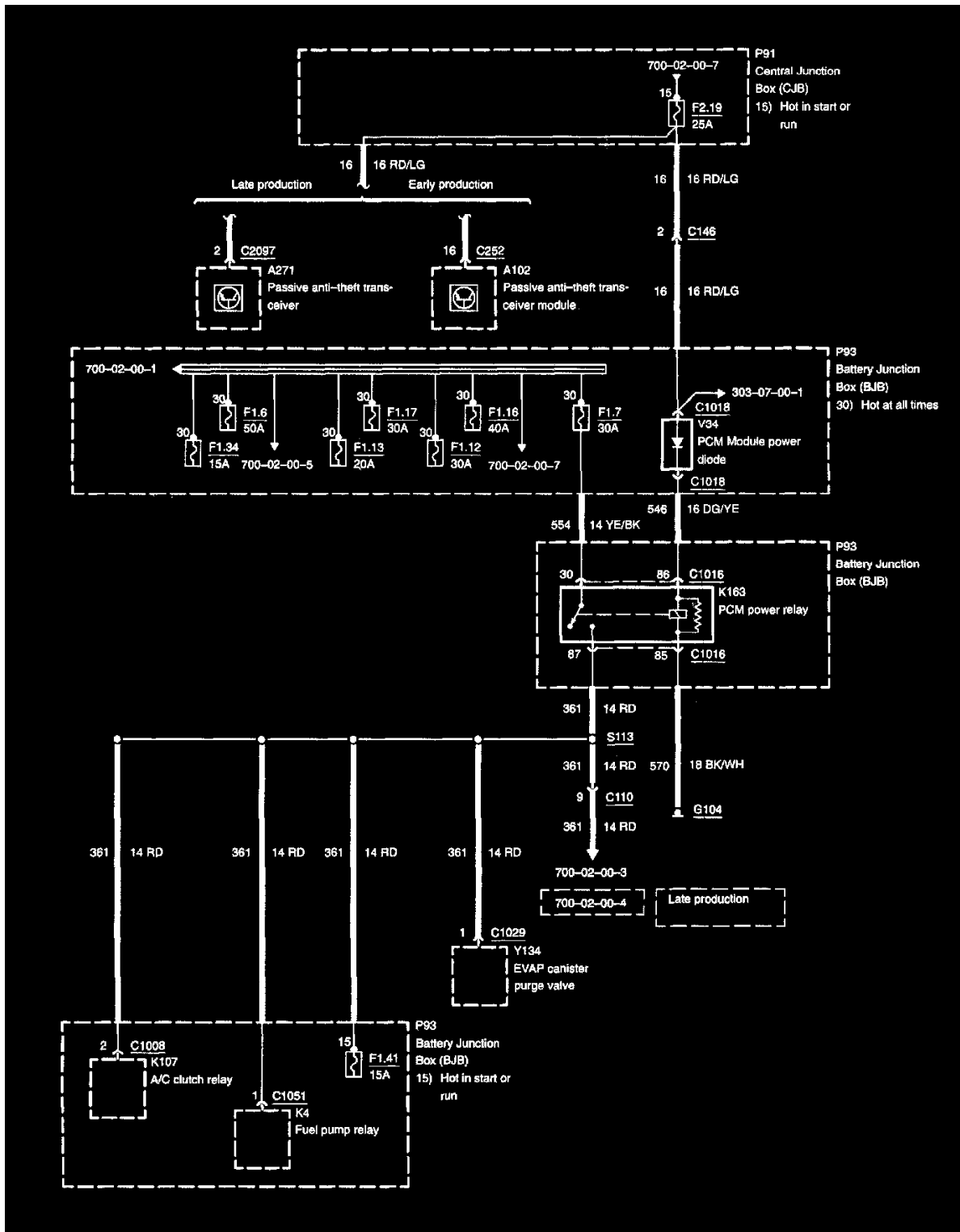


Diagram 700-02-00-2

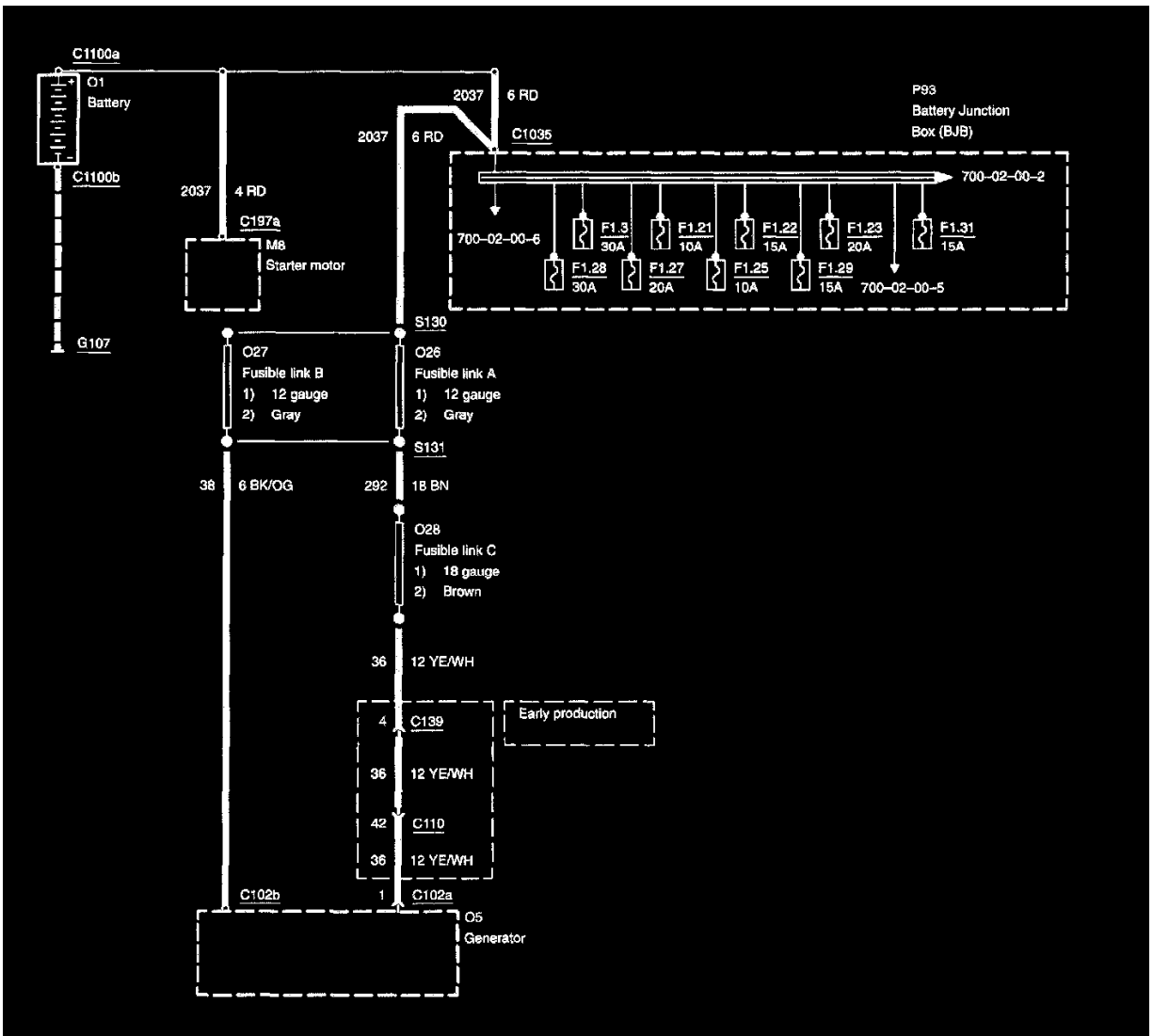


Diagram 700-02-00-1

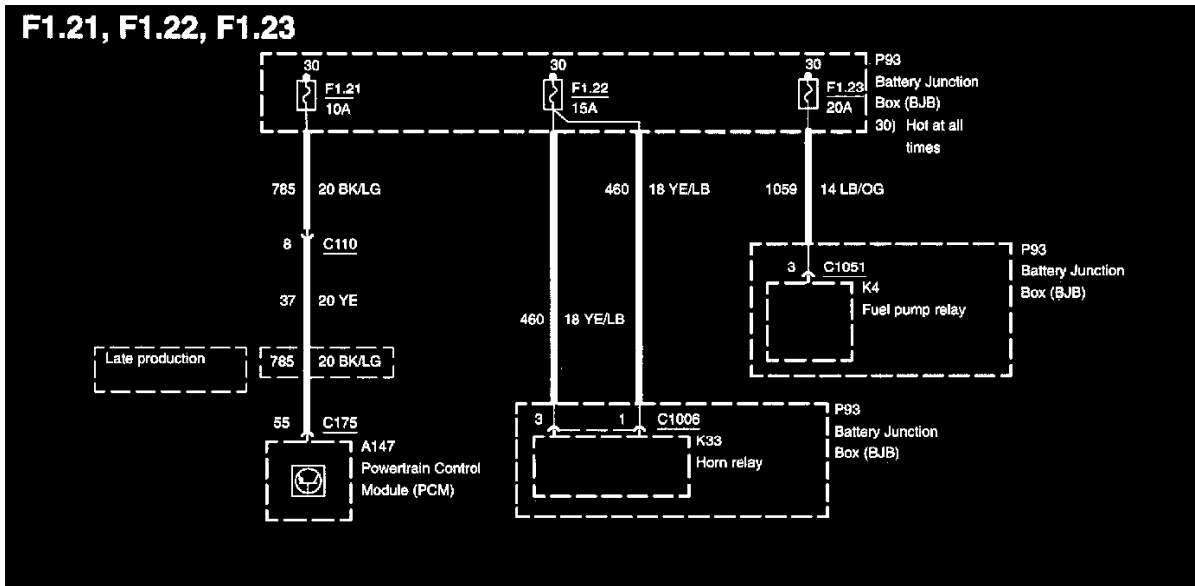


Diagram 700-03-00-4

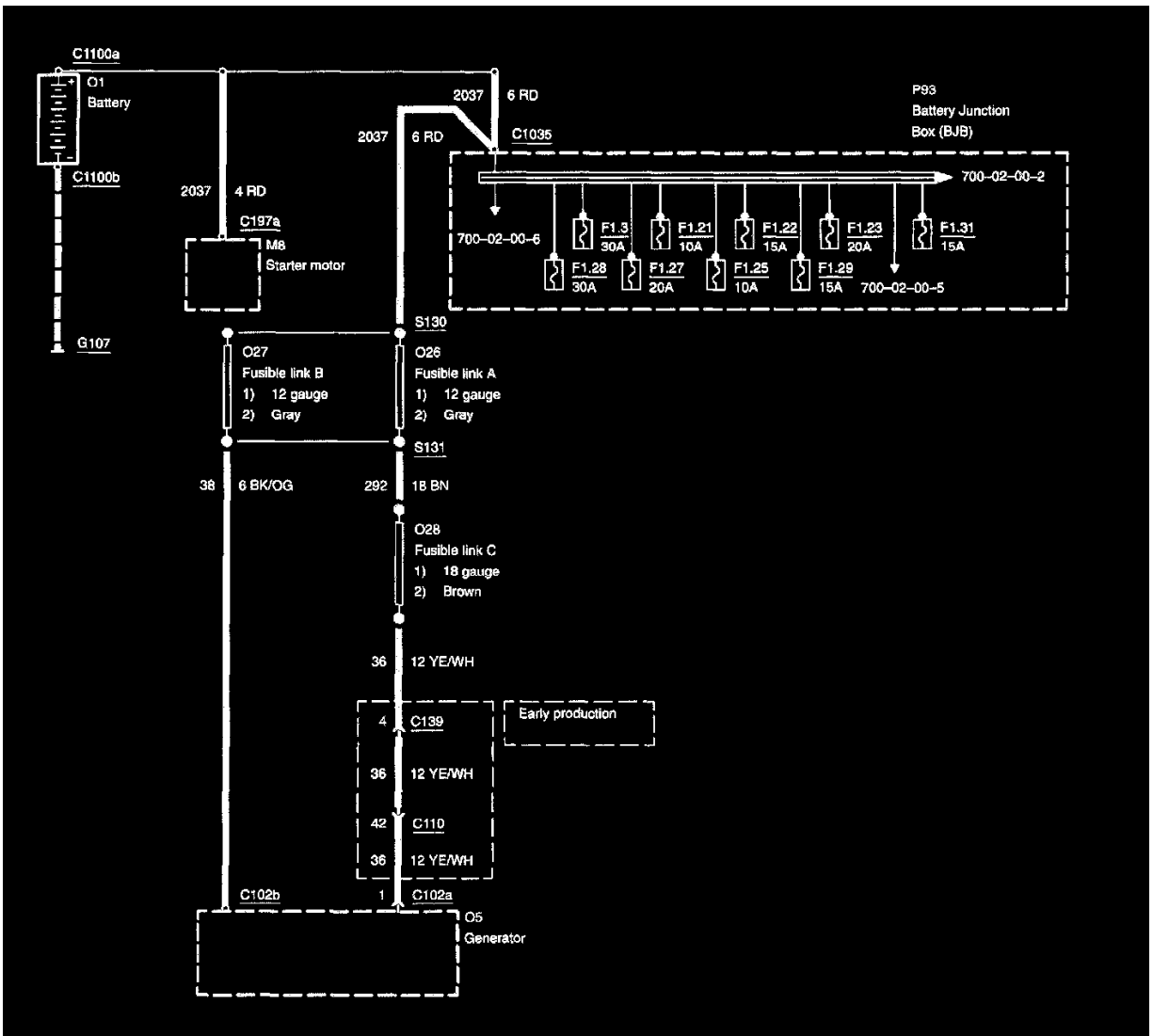


Diagram 700-02-00-1

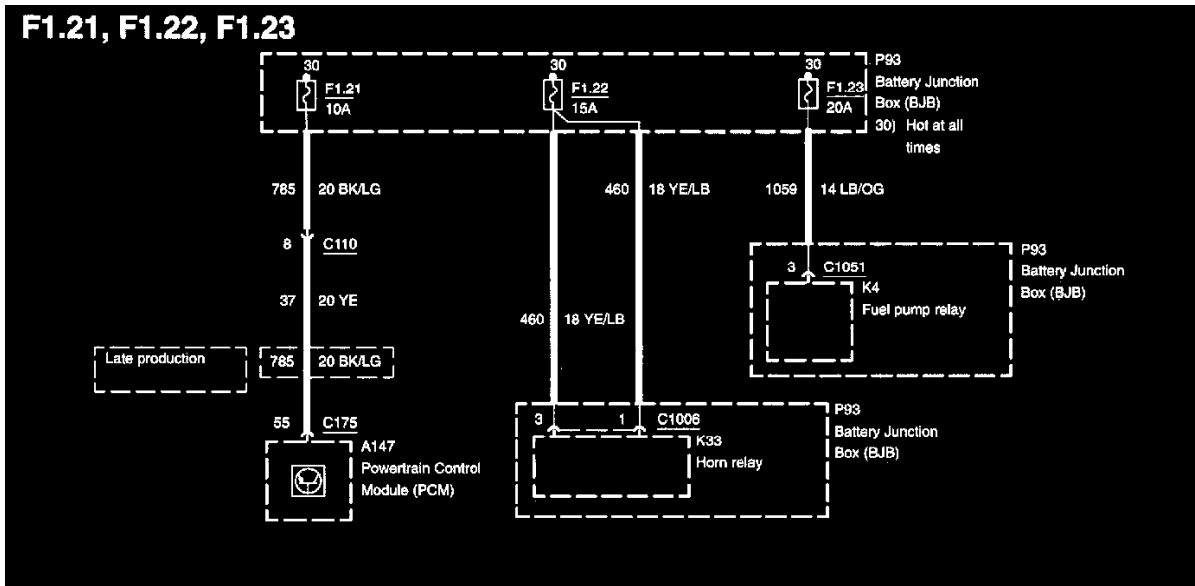


Diagram 700-03-00-4

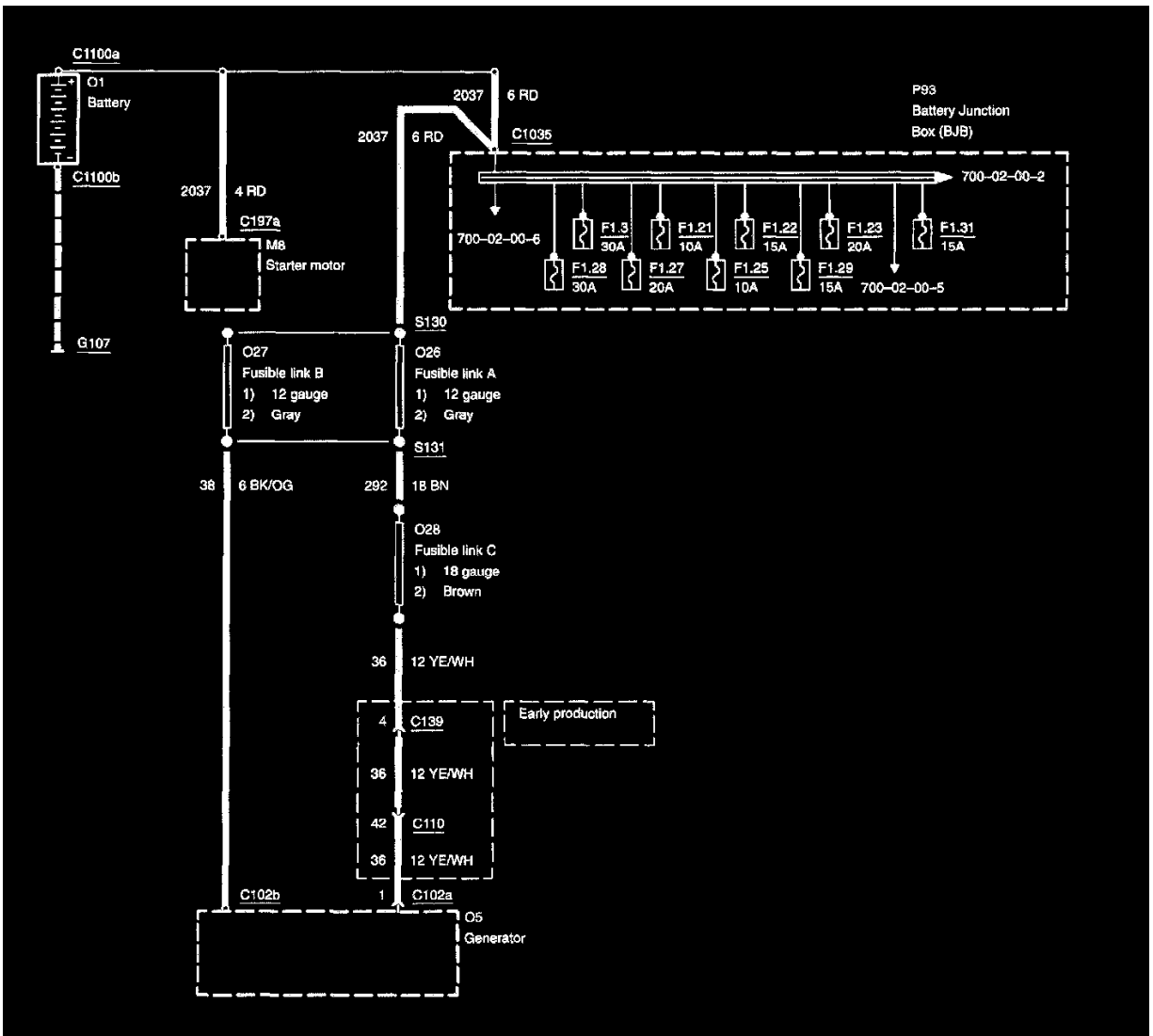


Diagram 700-02-00-1

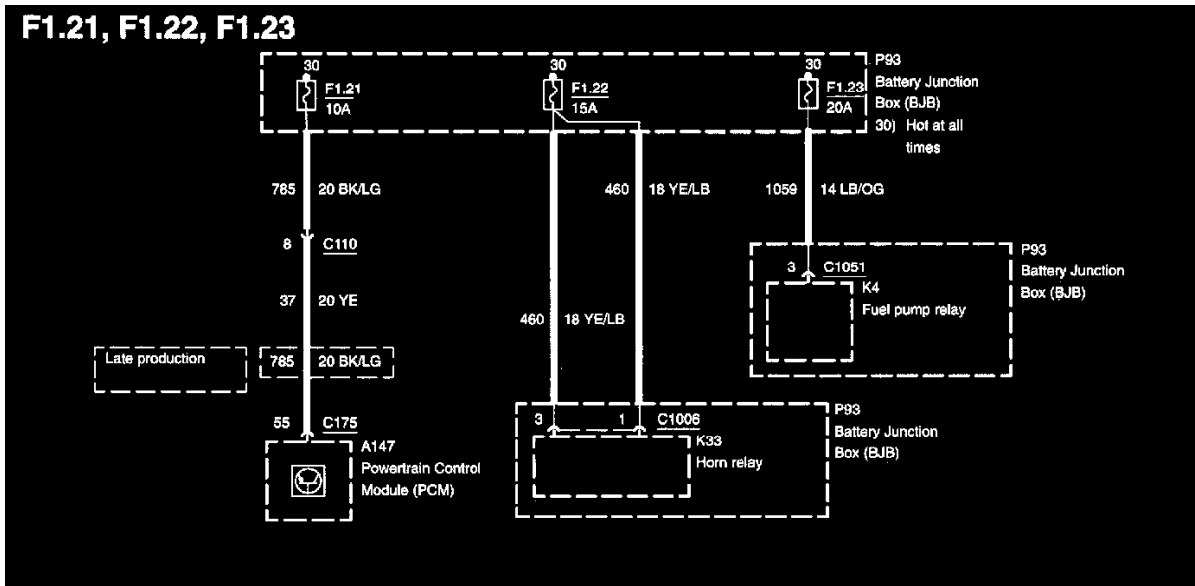


Diagram 700-03-00-4

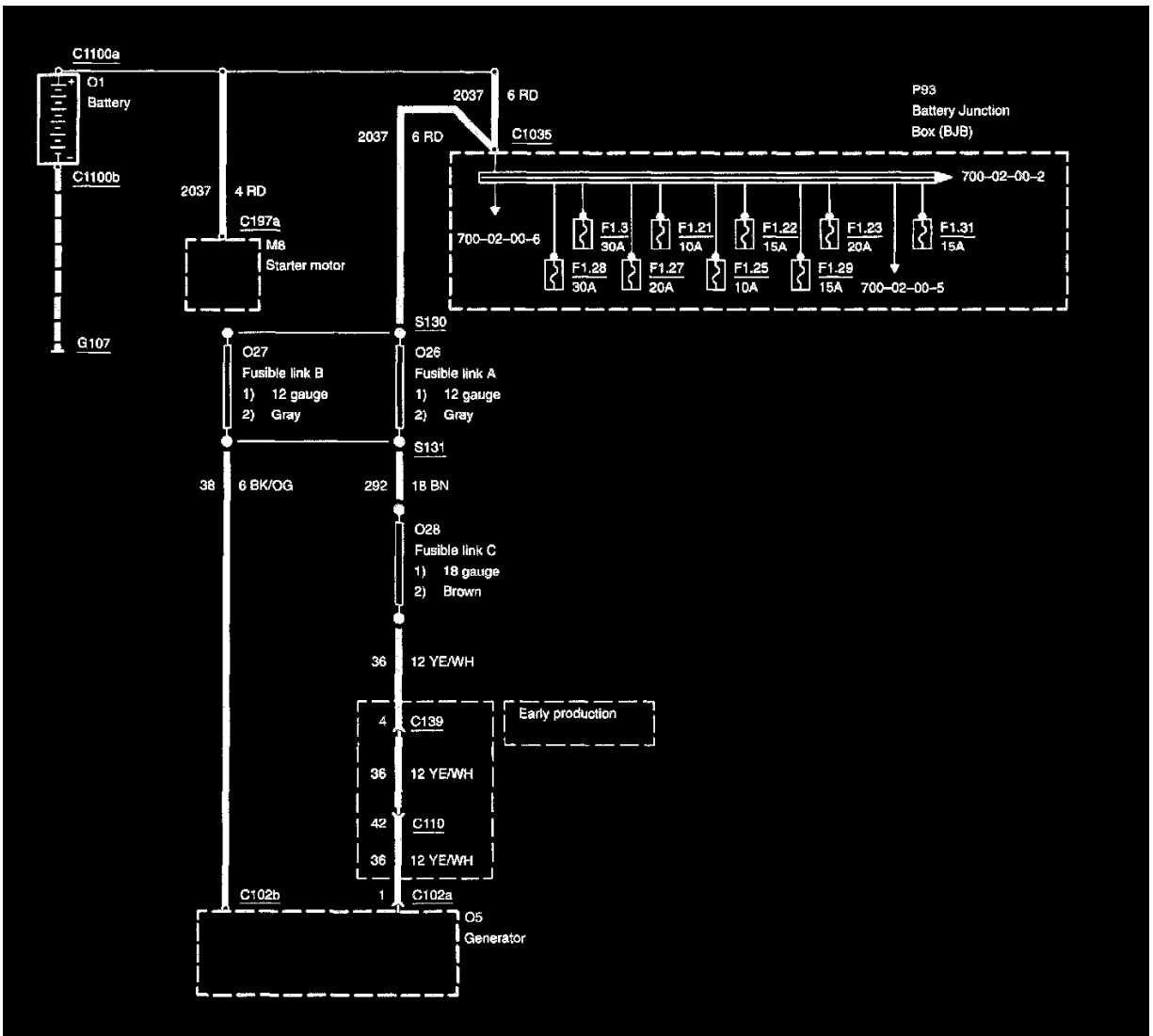


Diagram 700-02-00-1

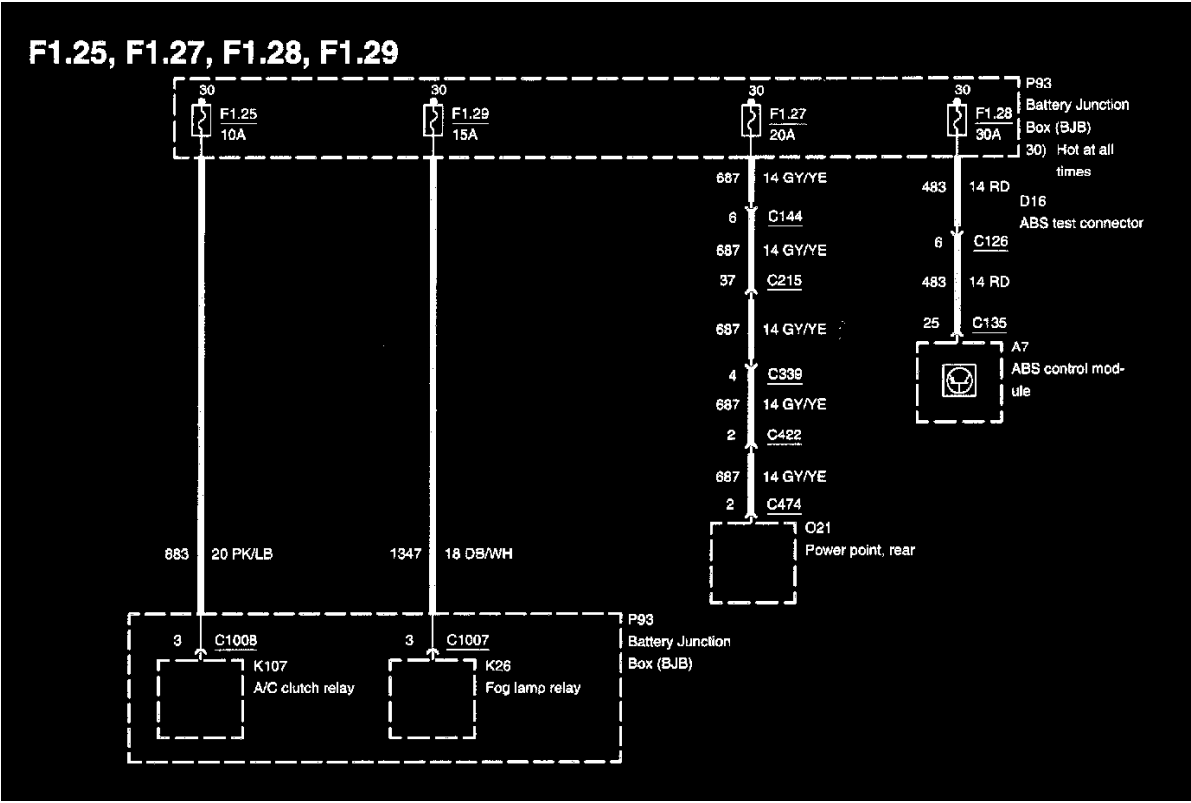


Diagram 700-03-00-5

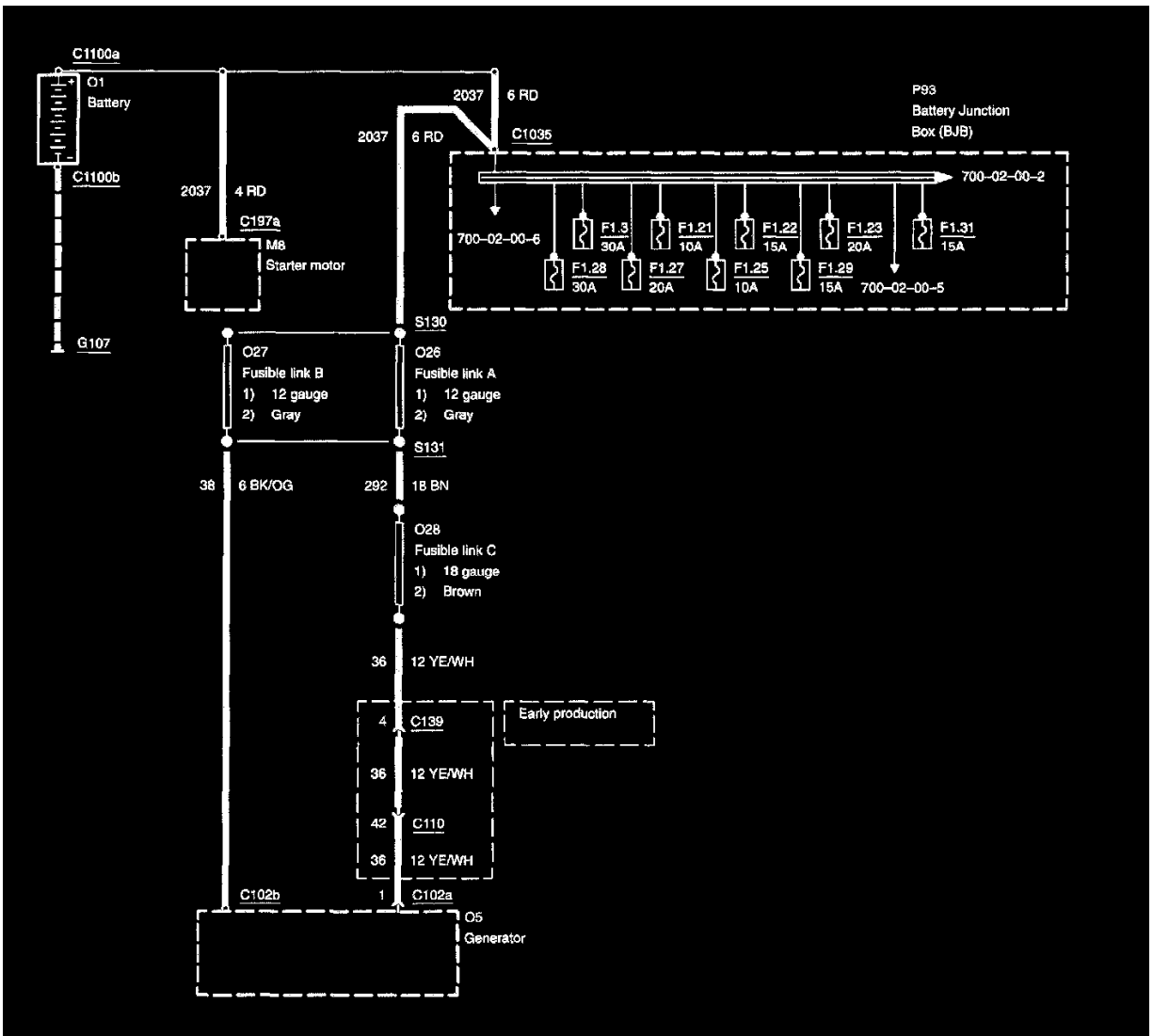


Diagram 700-02-00-1

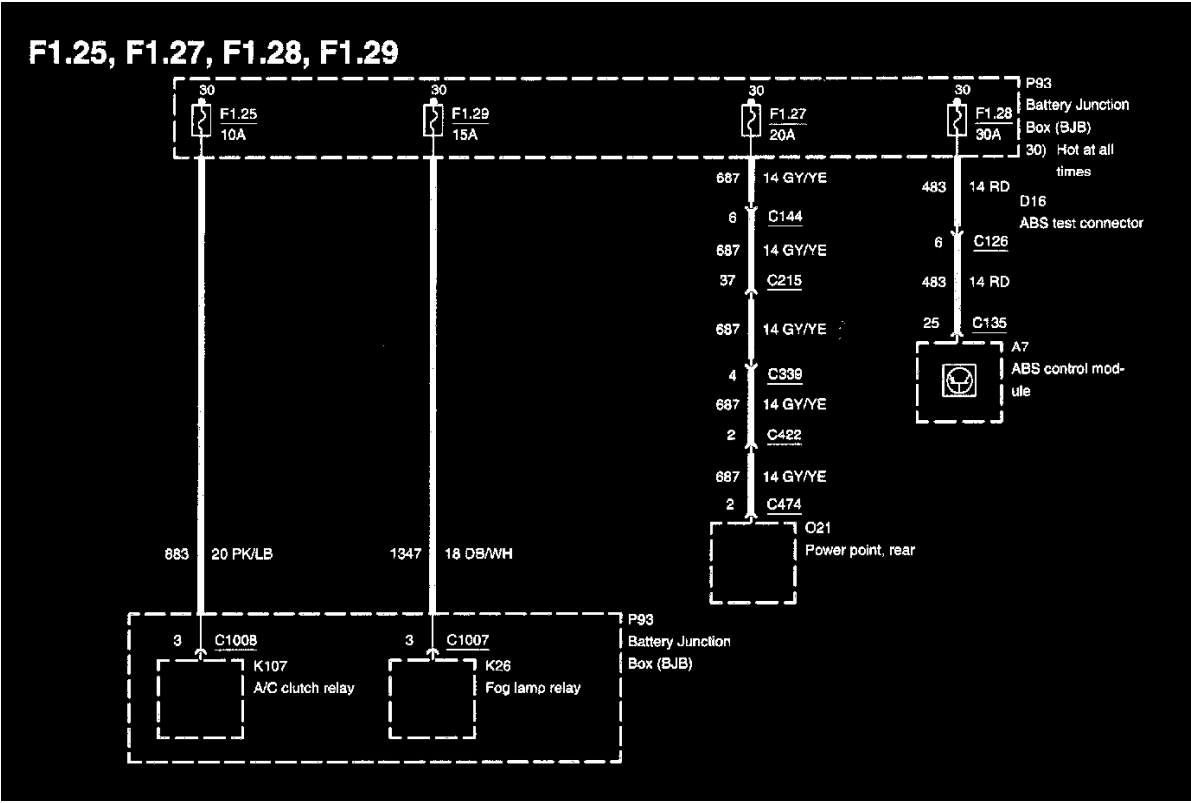


Diagram 700-03-00-5

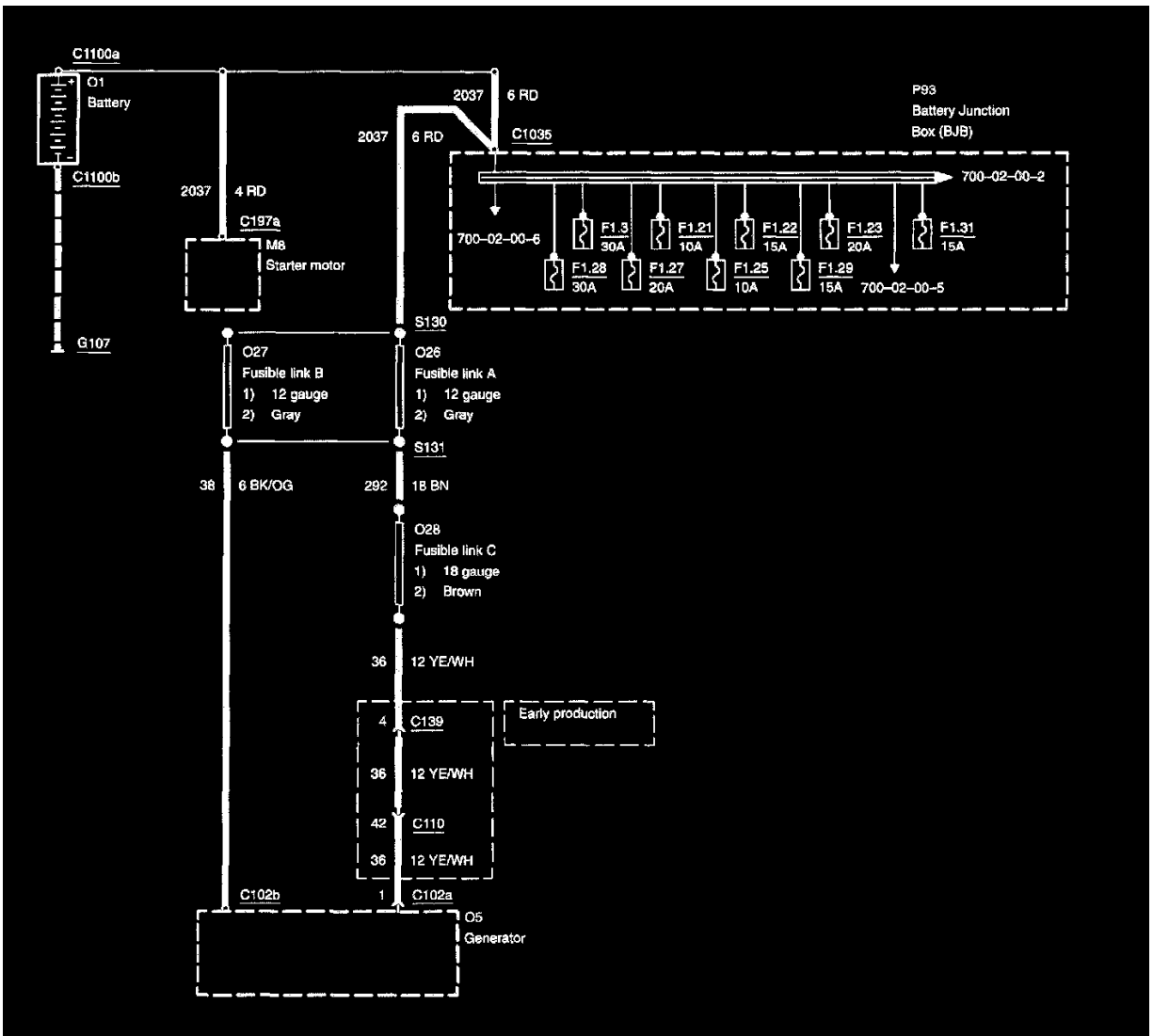


Diagram 700-02-00-1

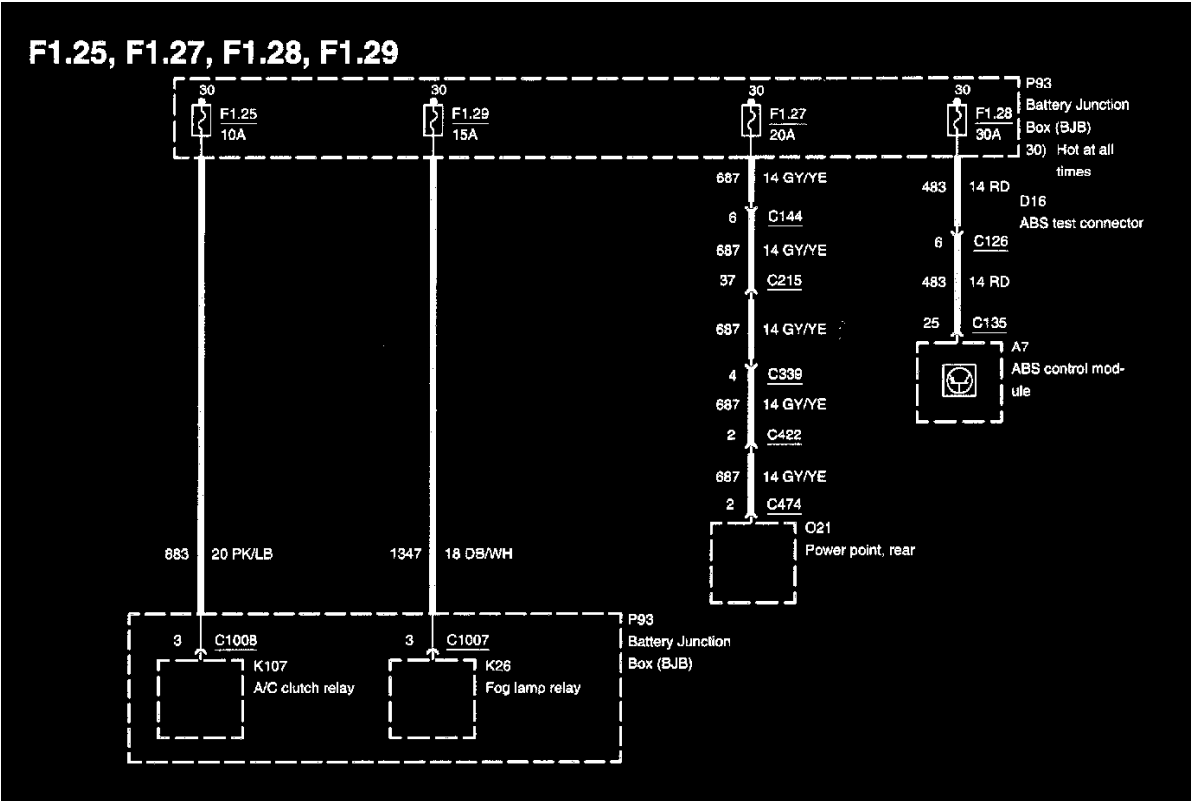


Diagram 700-03-00-5

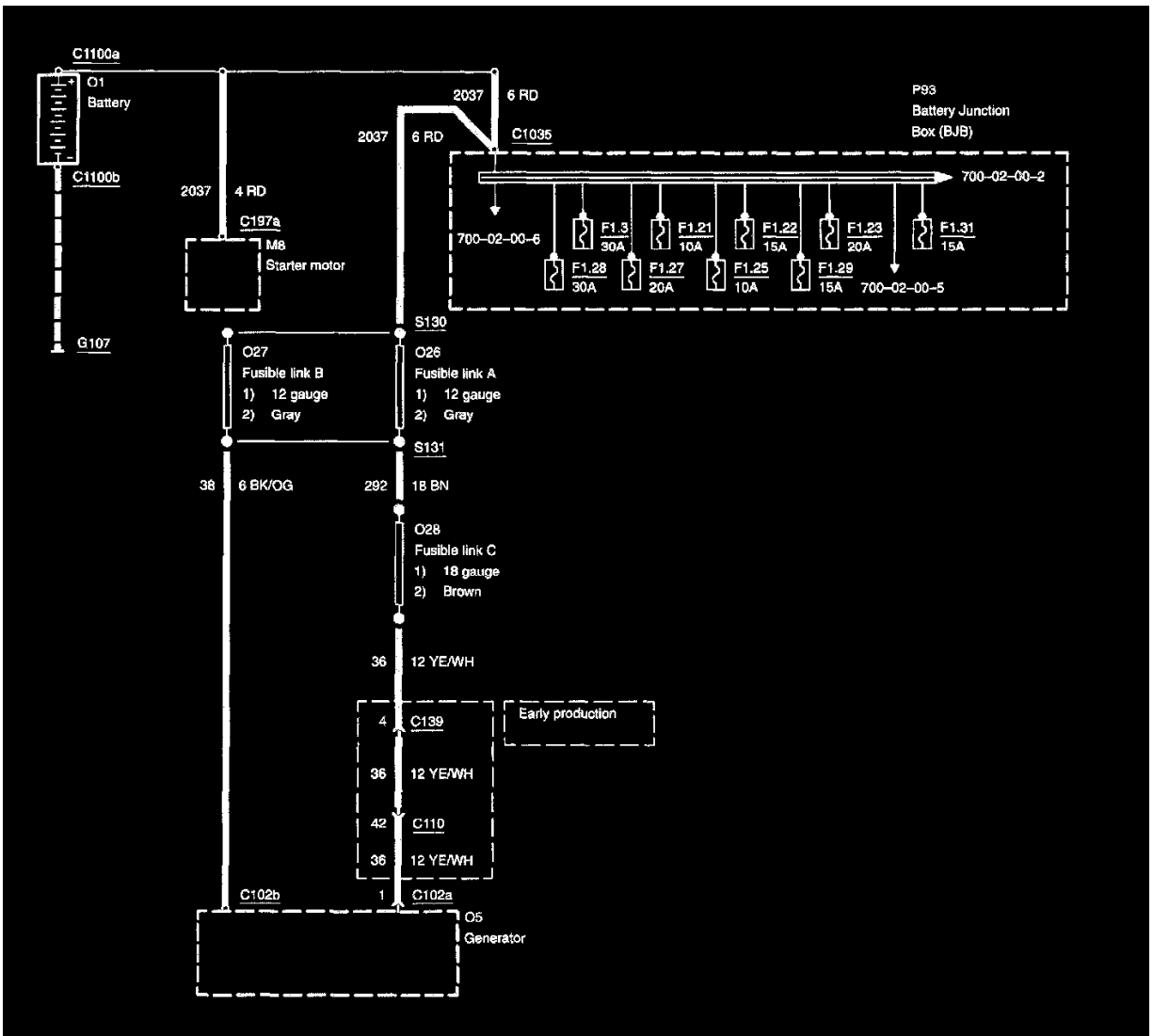


Diagram 700-02-00-1

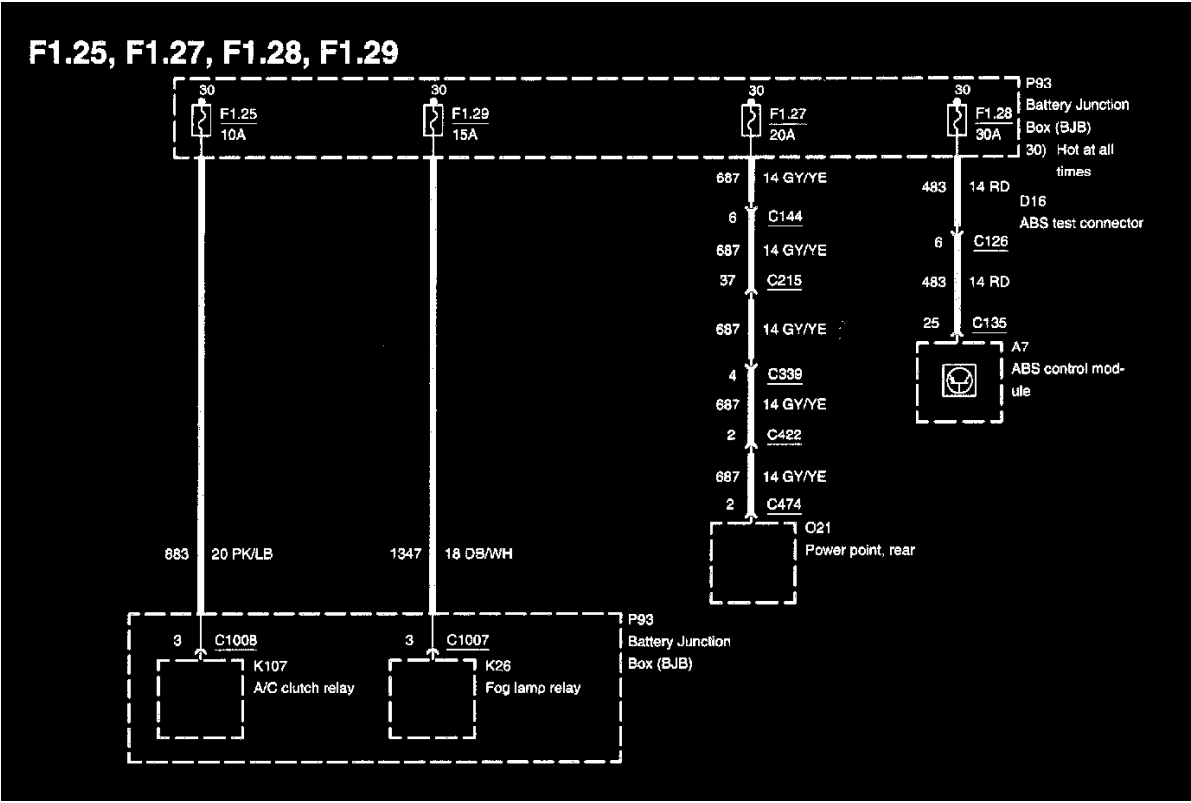


Diagram 700-03-00-5

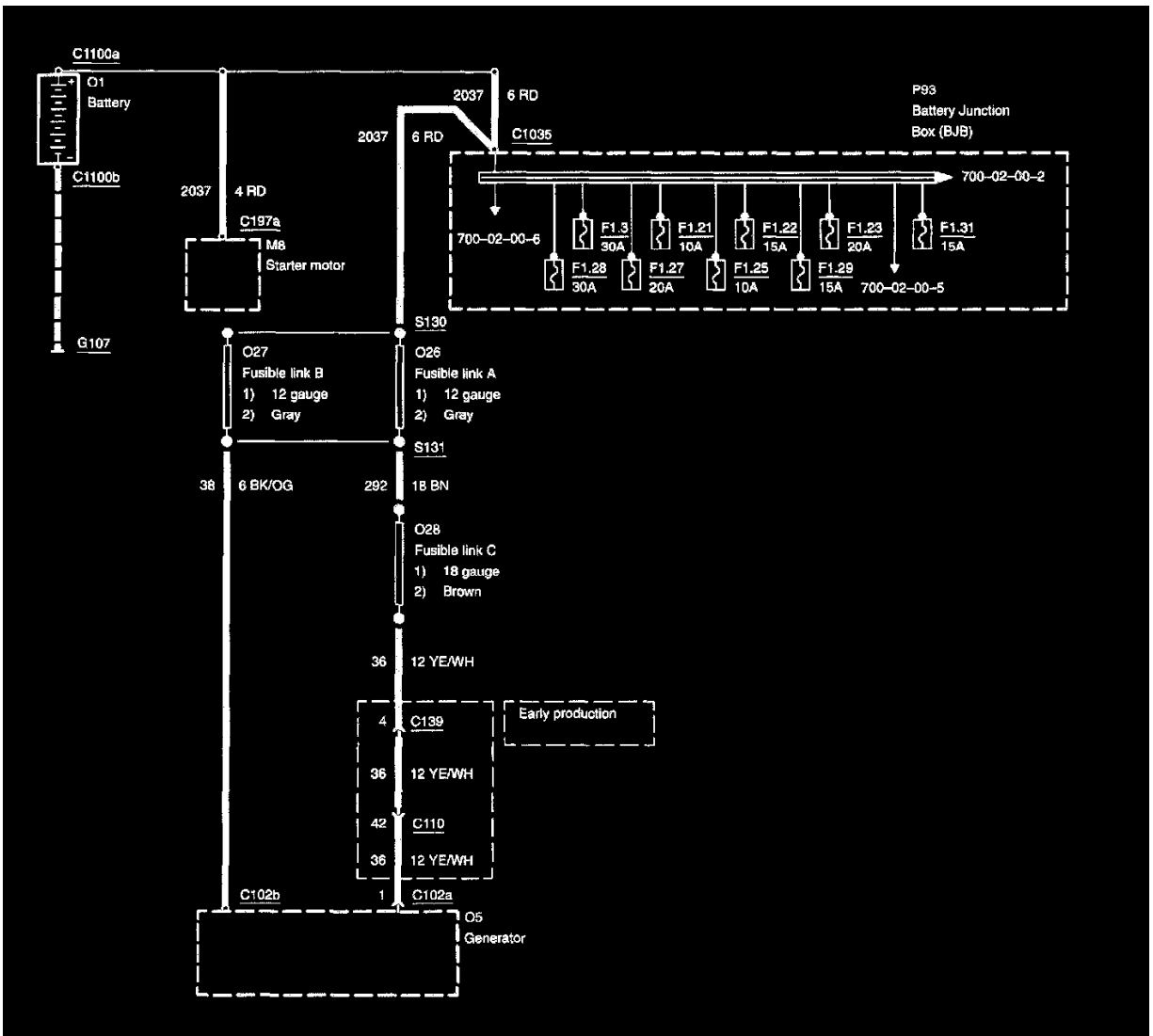


Diagram 700-02-00-1

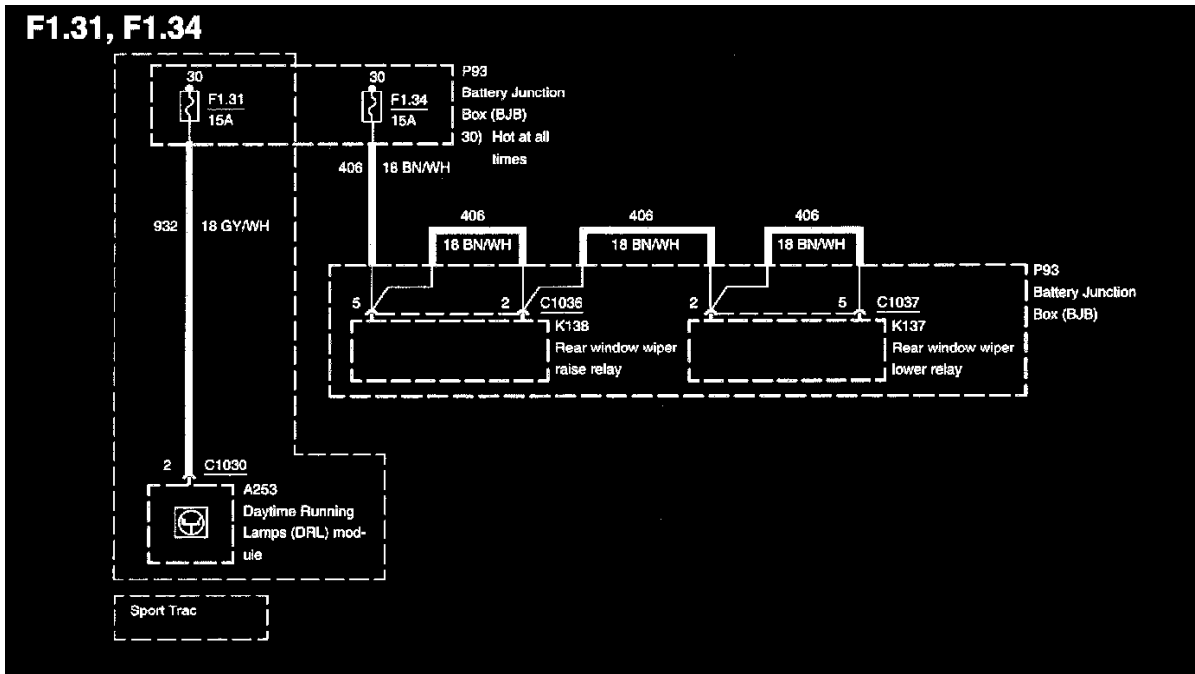


Diagram 700-03-00-6

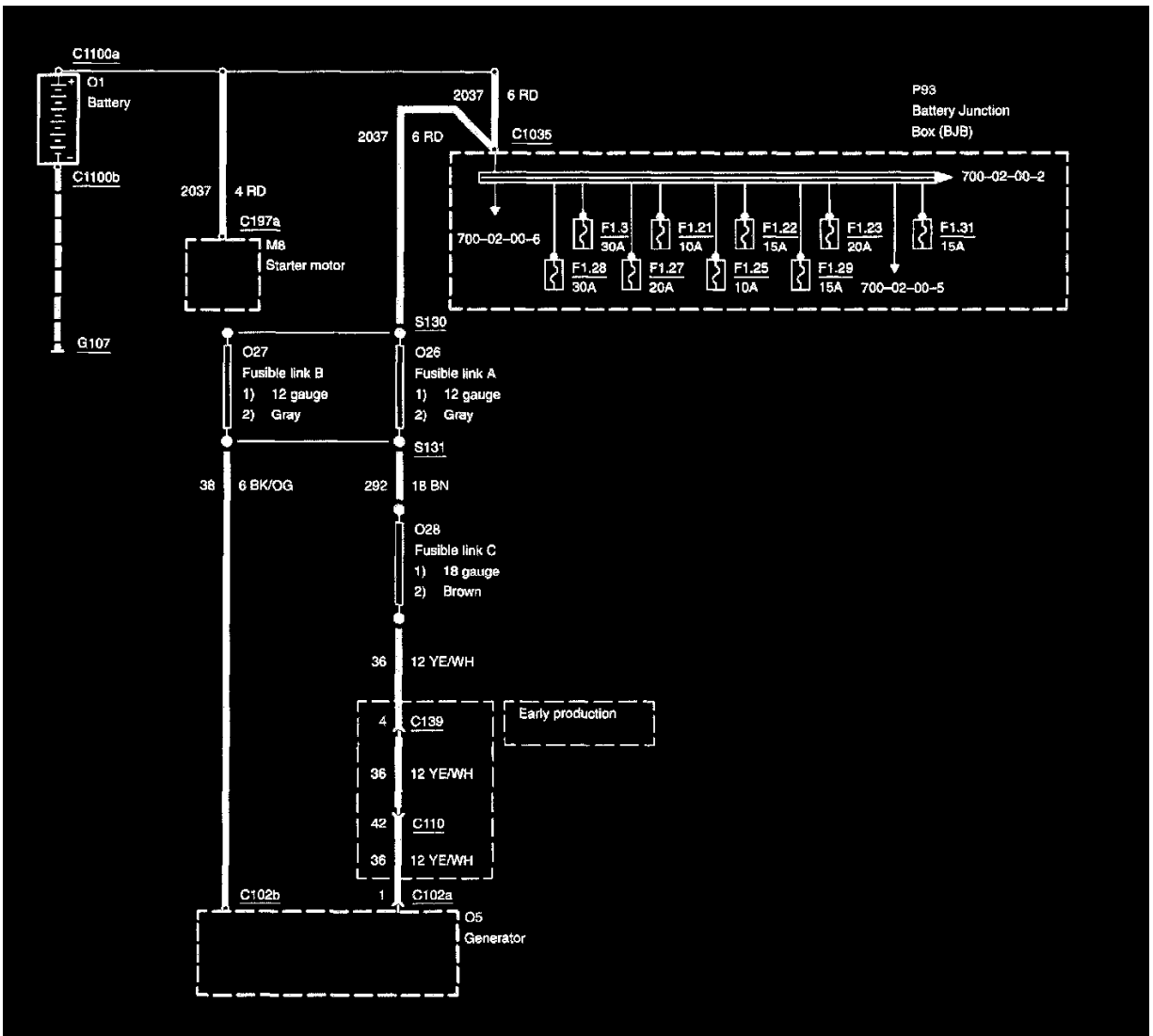


Diagram 700-02-00-1

F 1.33

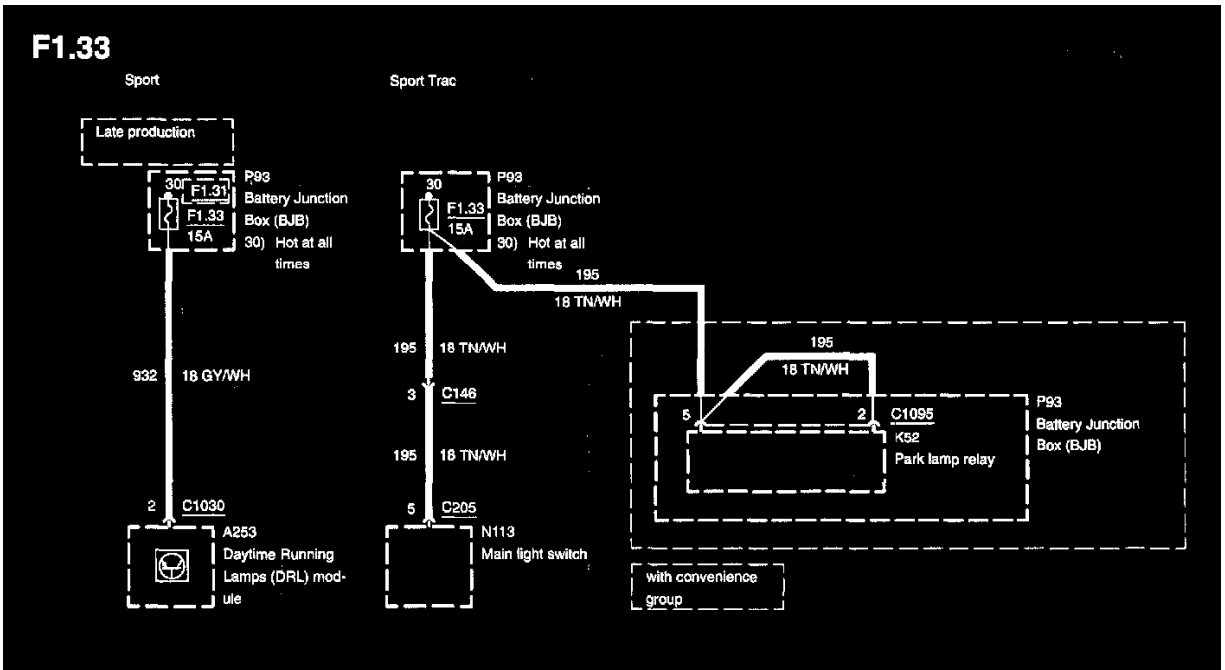


Diagram 700-03-00-7

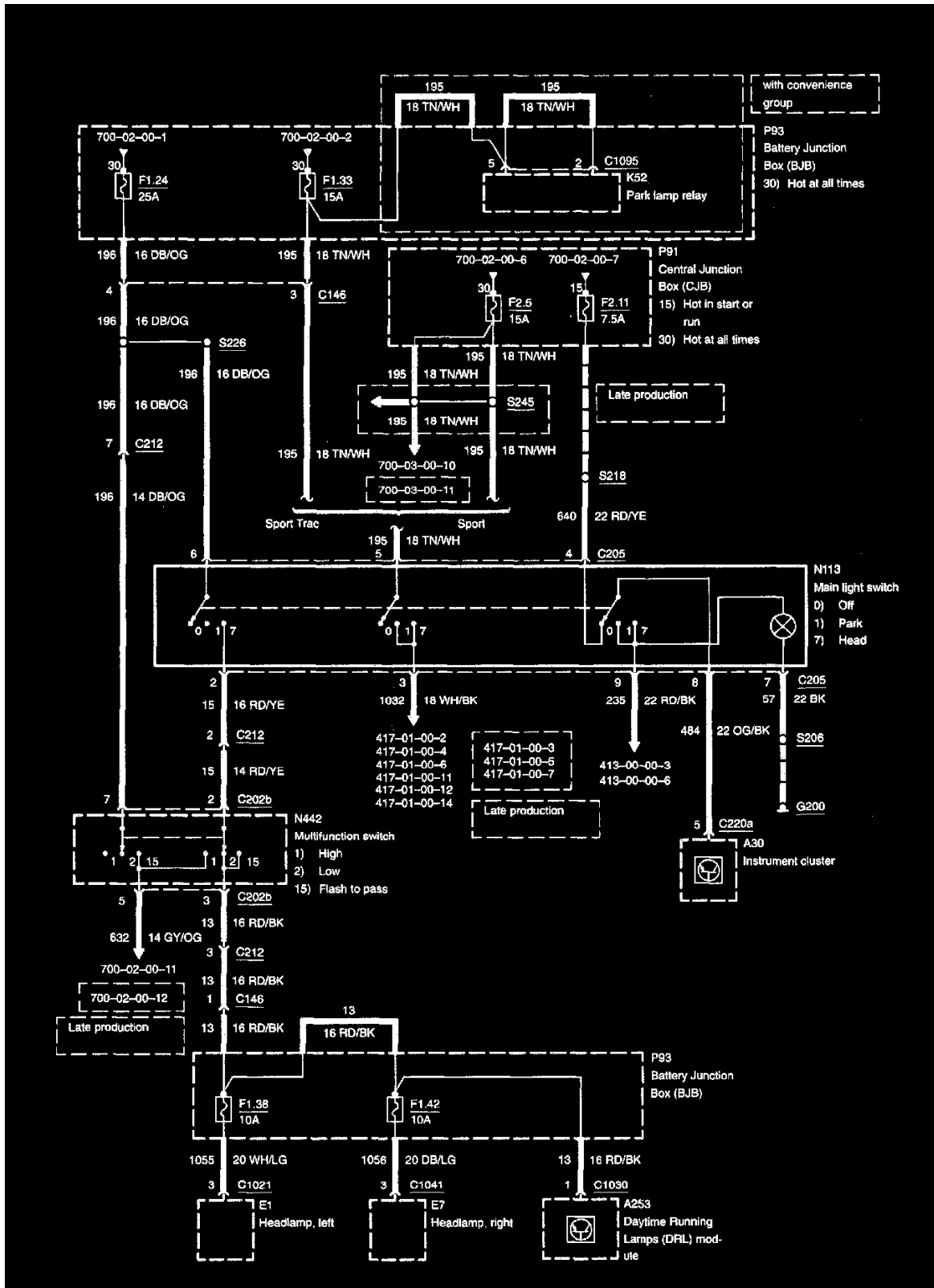


Diagram 700-02-00-5

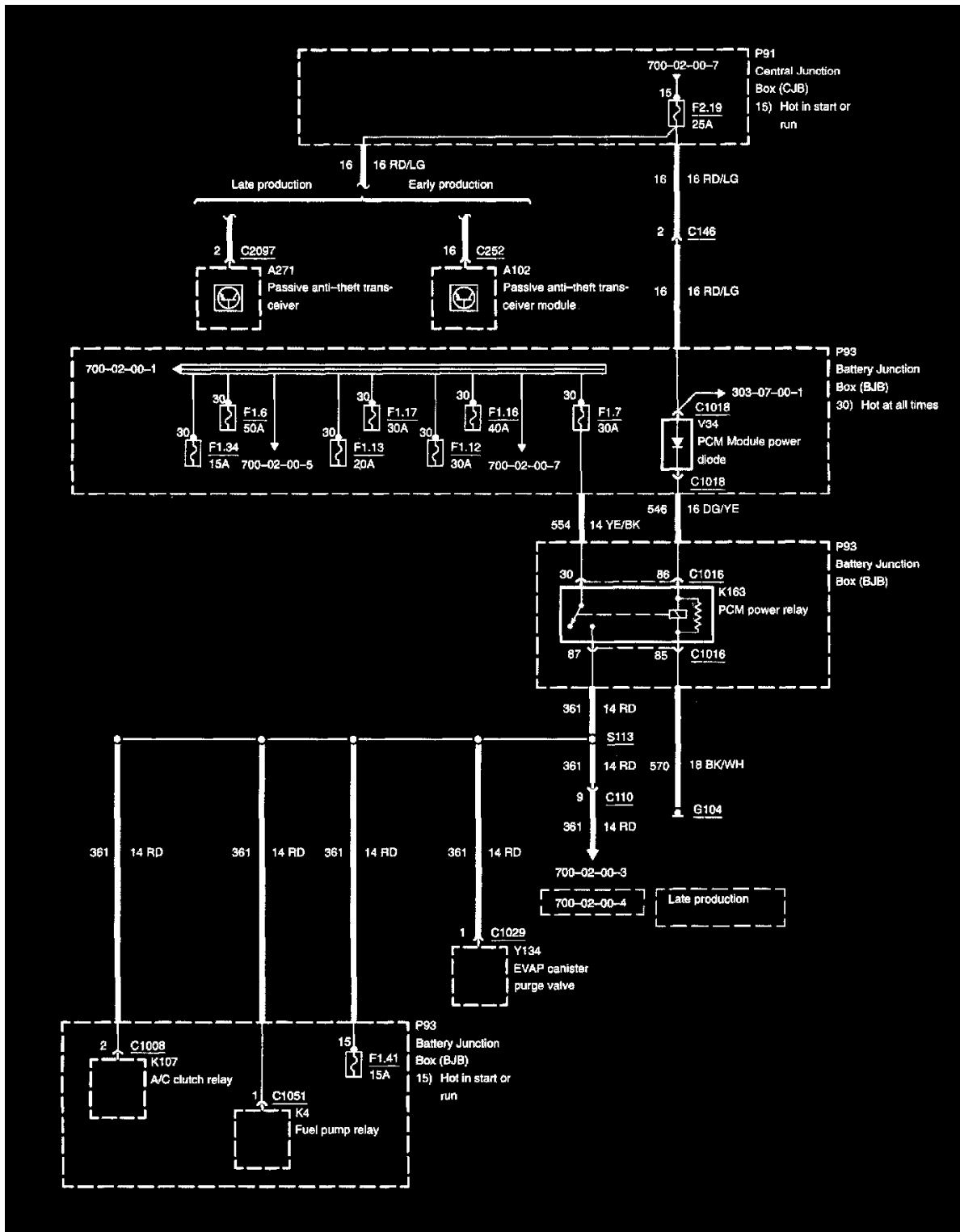


Diagram 700-02-00-2

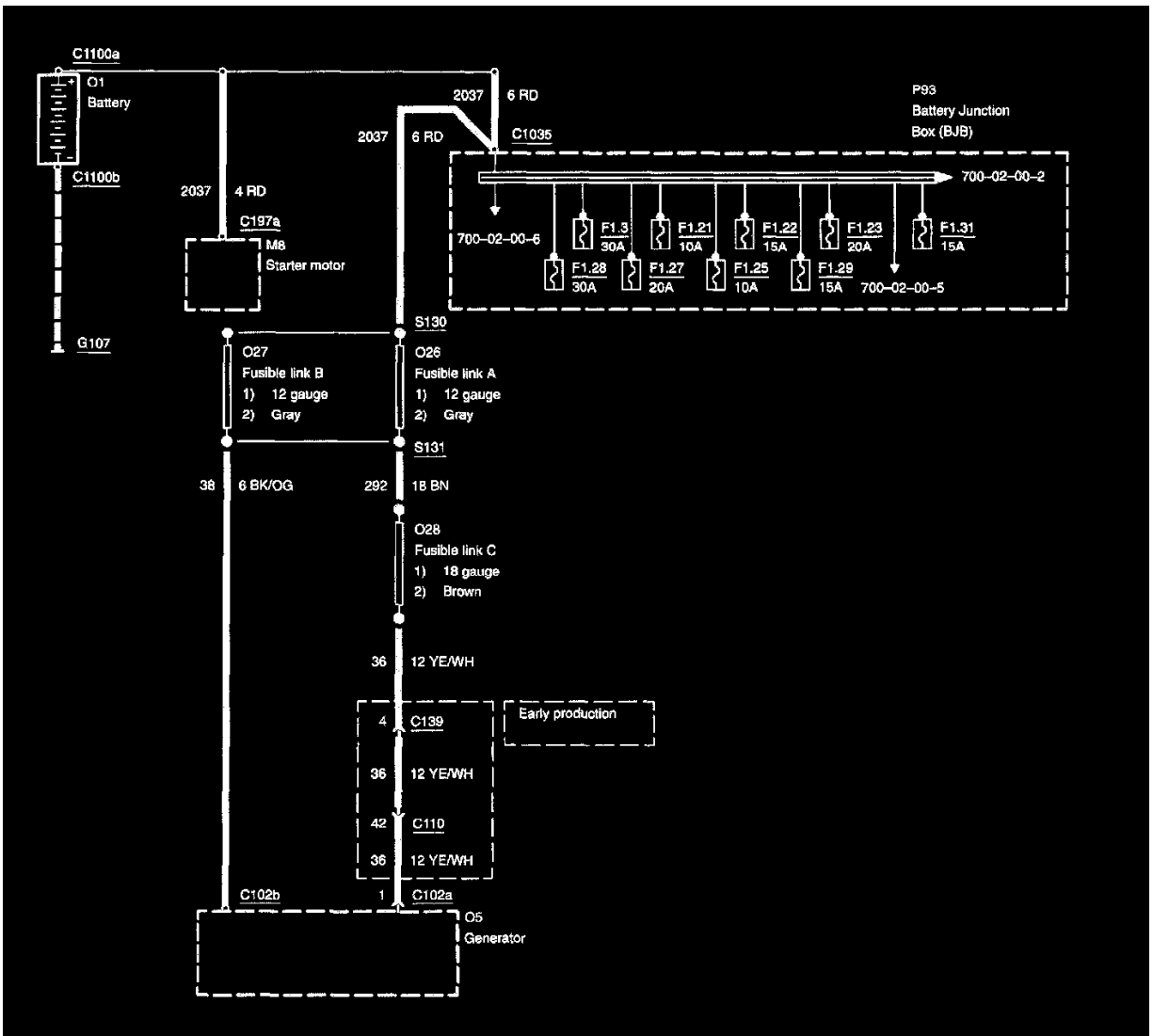


Diagram 700-02-00-1

F 1.34

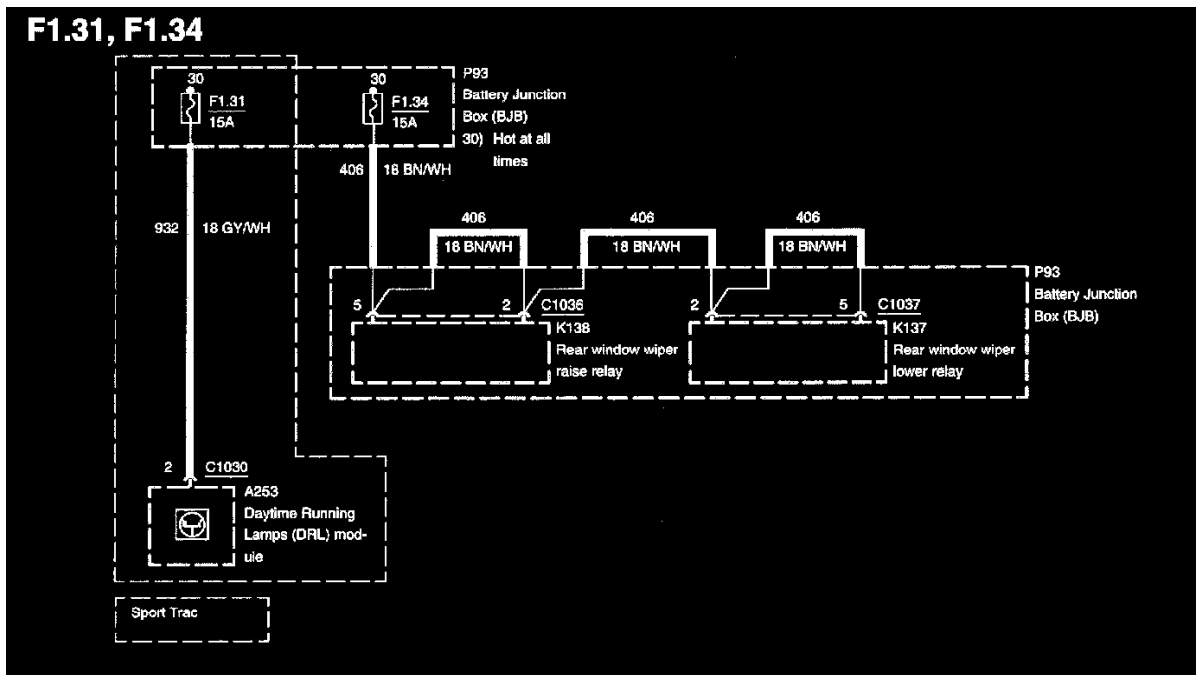


Diagram 700-03-00-6

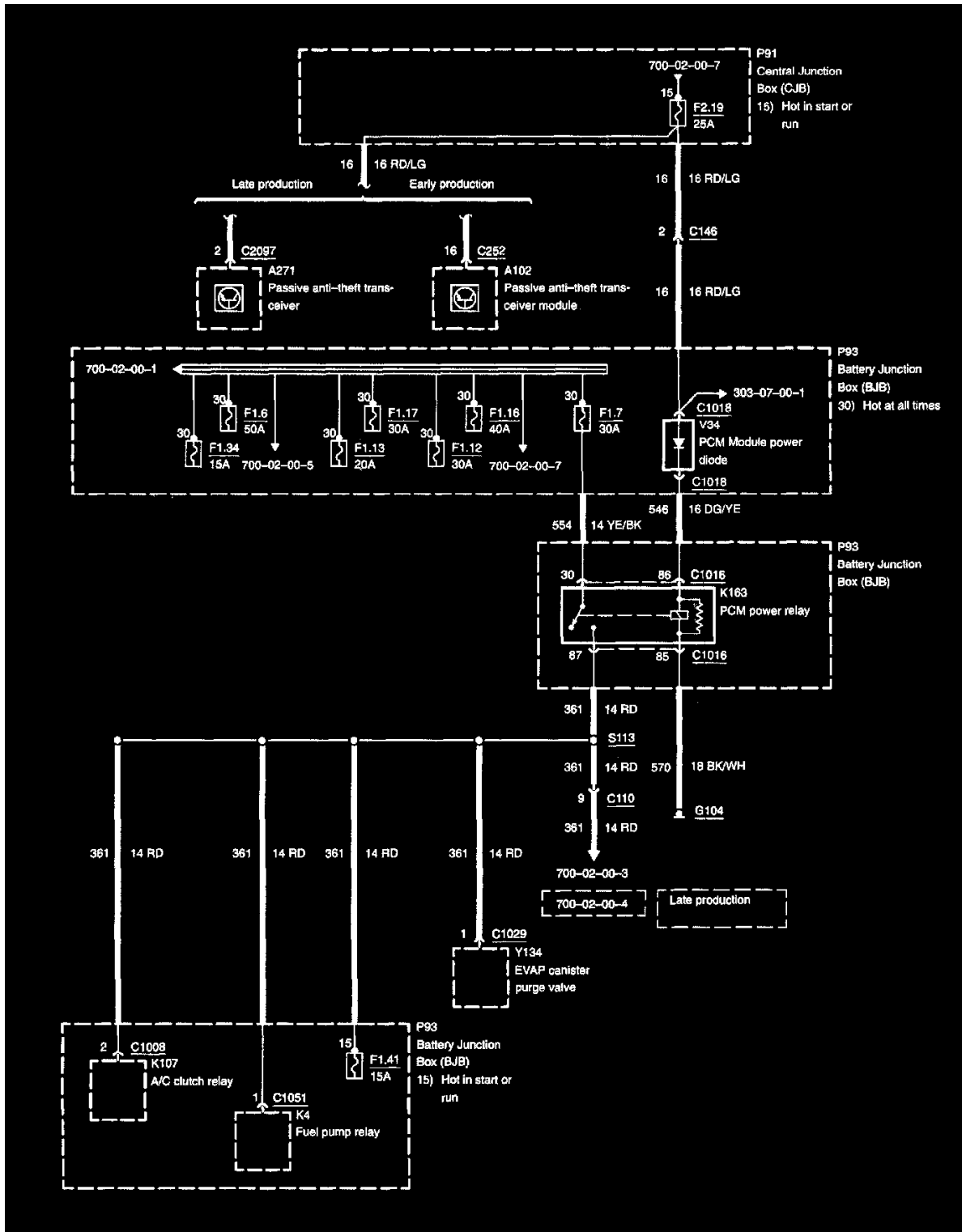


Diagram 700-02-00-2

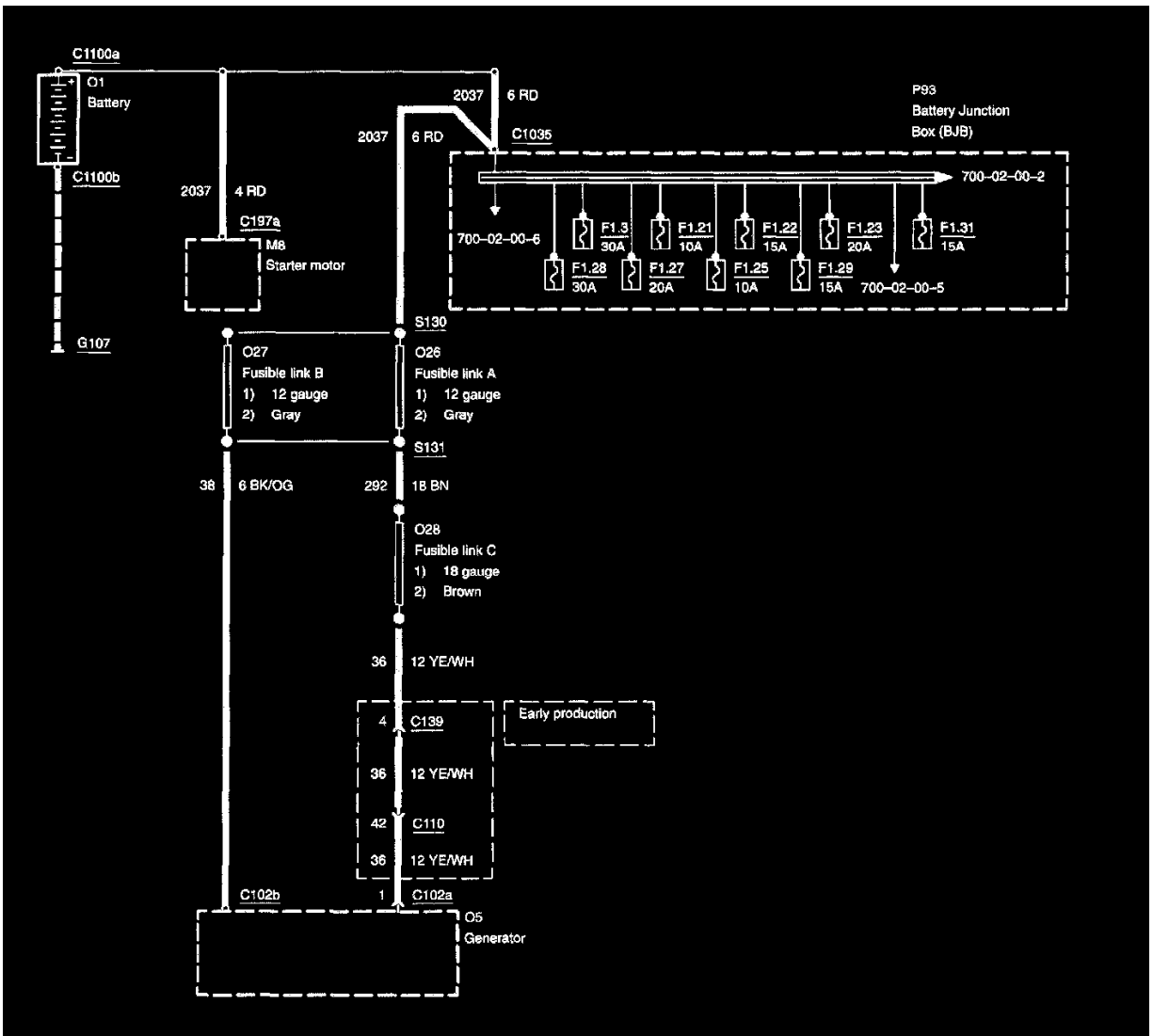


Diagram 700-02-00-1

F 1.41

F1.41, Early production

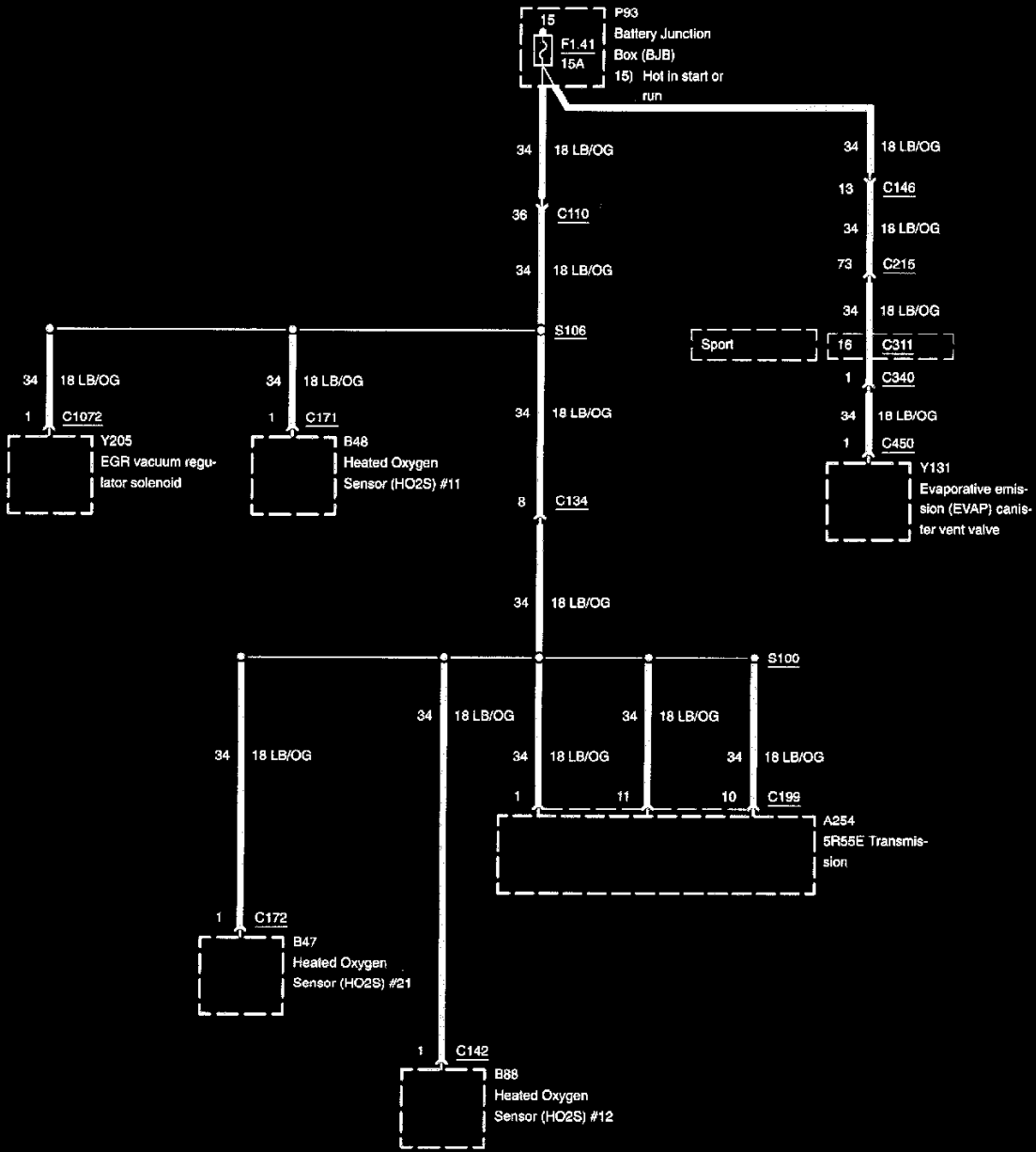


Diagram 700-03-00-8

F1.41, Late production

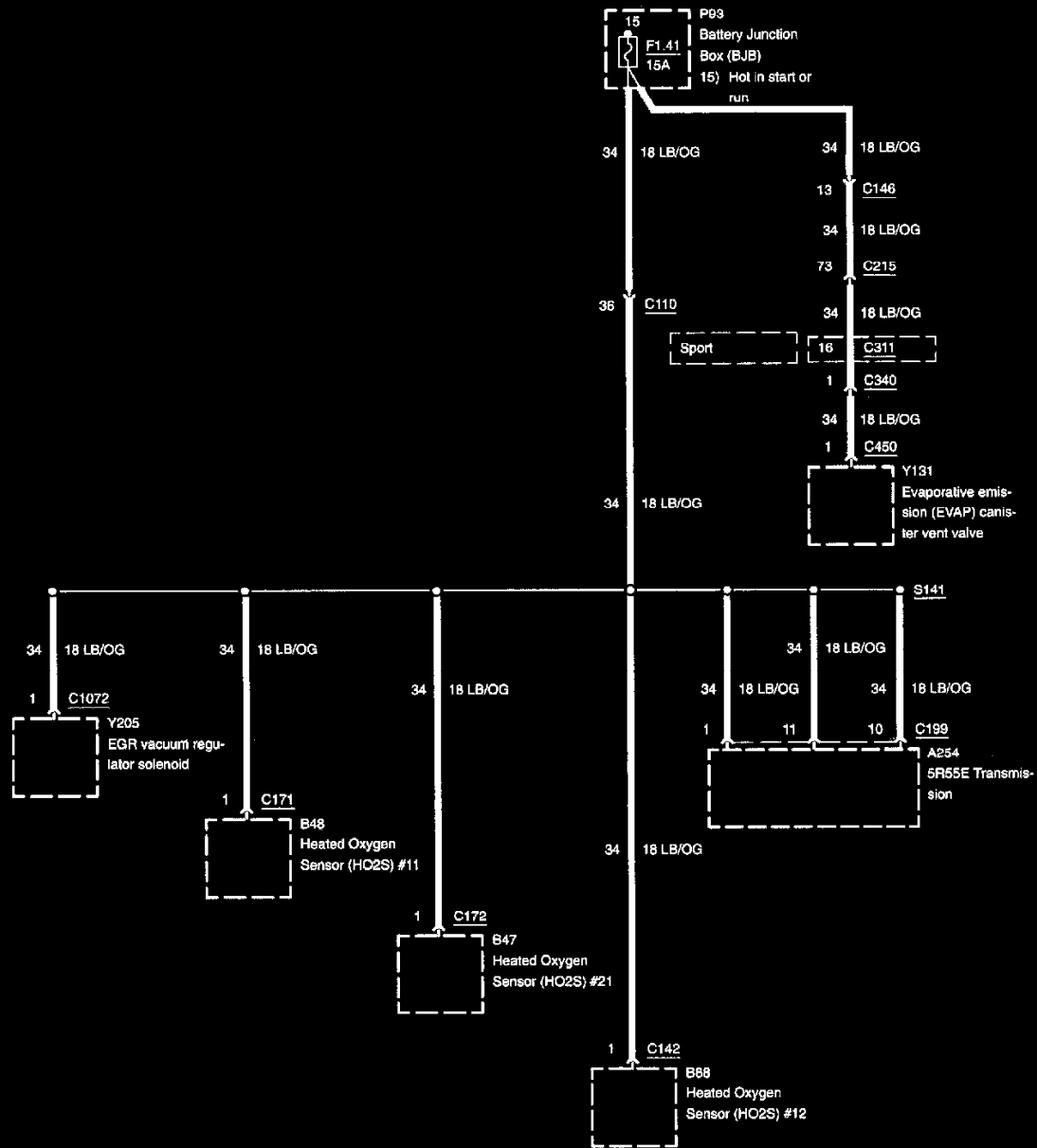


Diagram 700-03-00-9

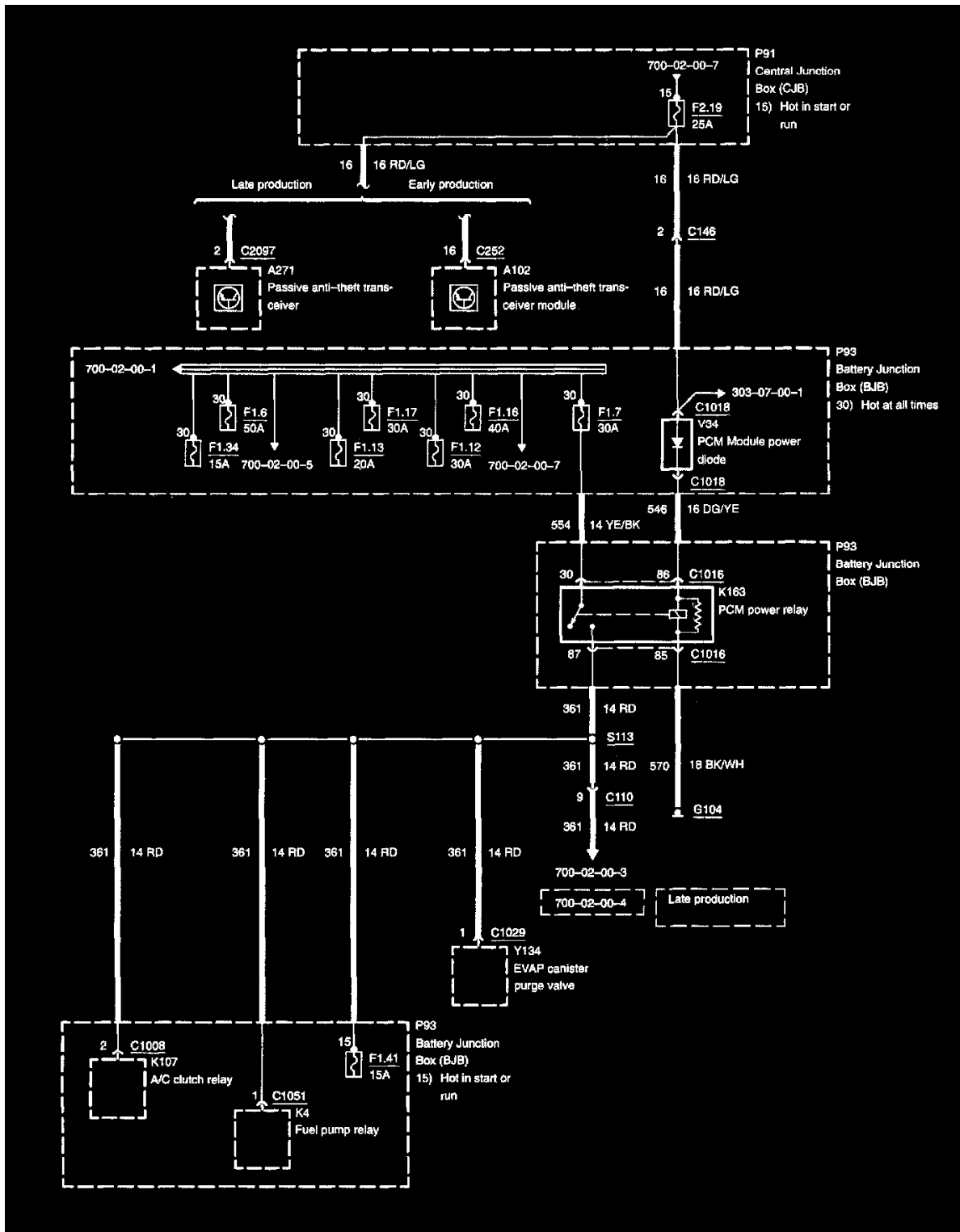


Diagram 700-02-00-2

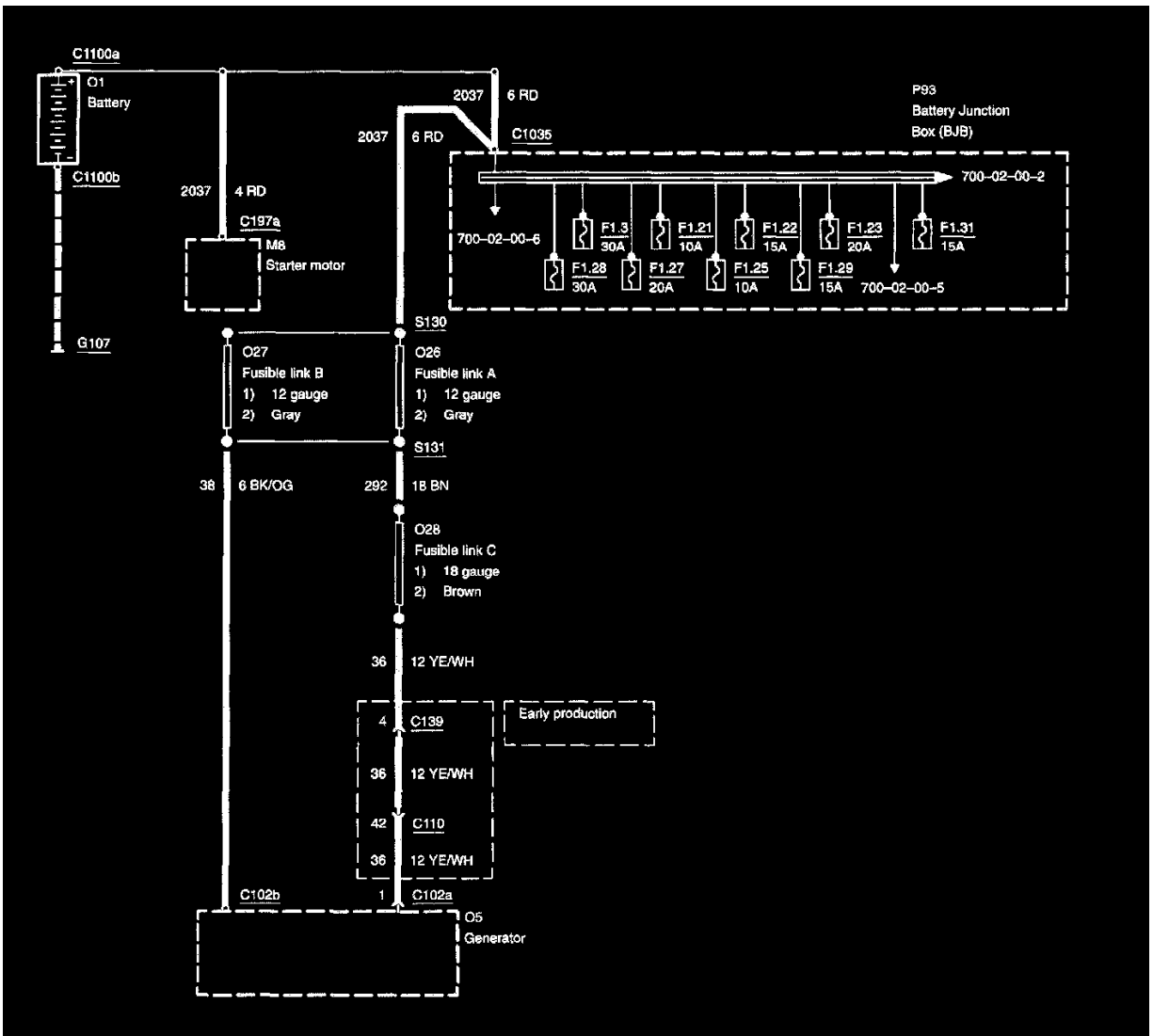


Diagram 700-02-00-1

F 2.1

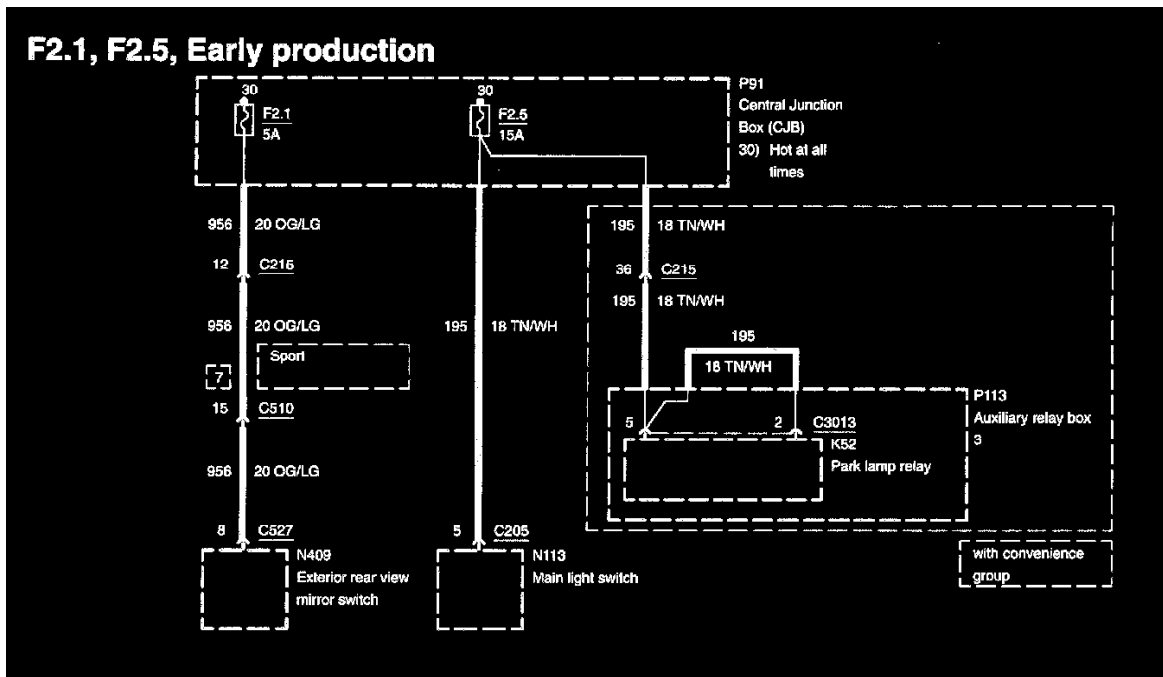


Diagram 700-03-00-10

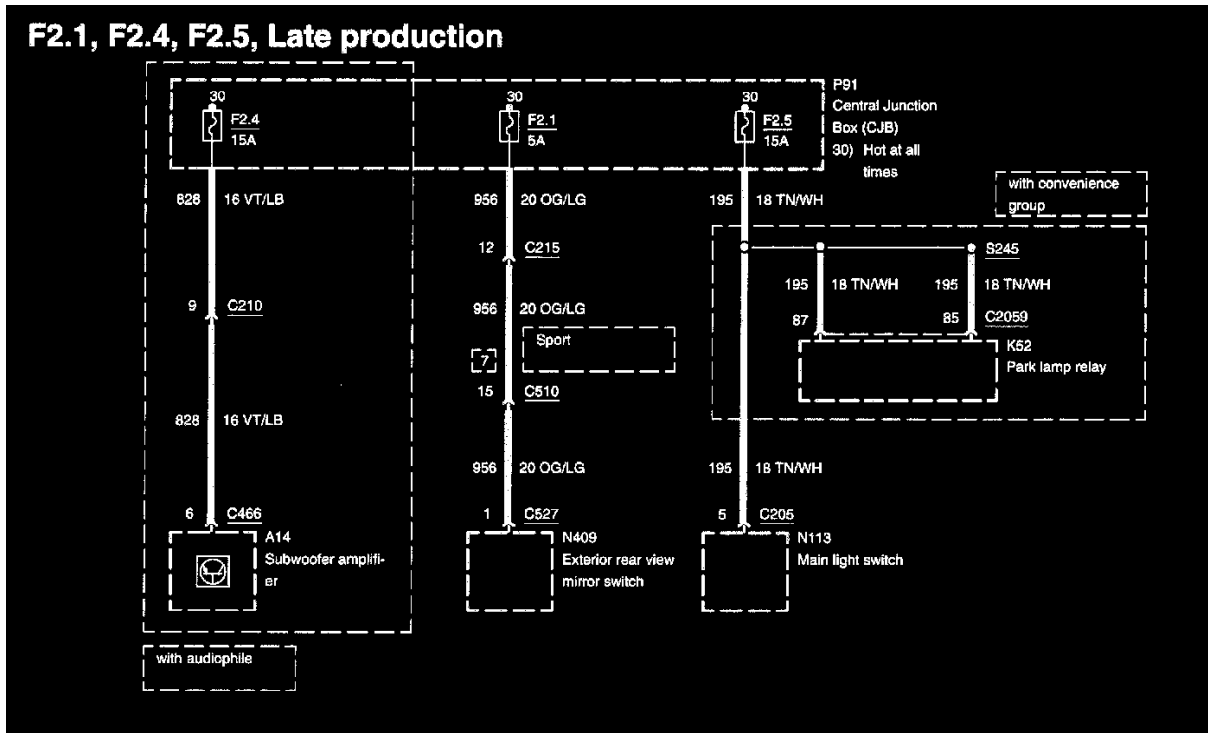


Diagram 700-03-00-11

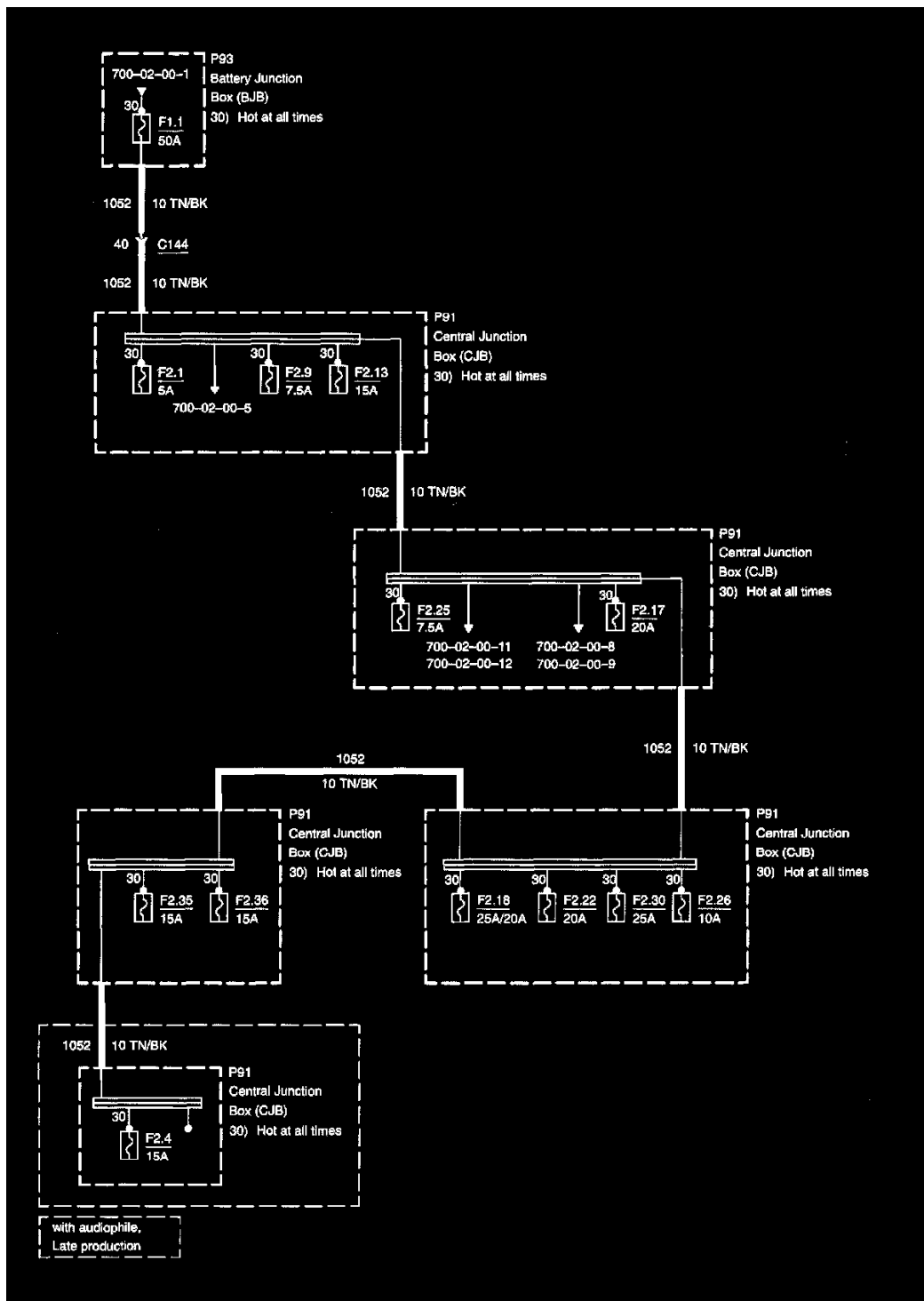


Diagram 700-02-00-6

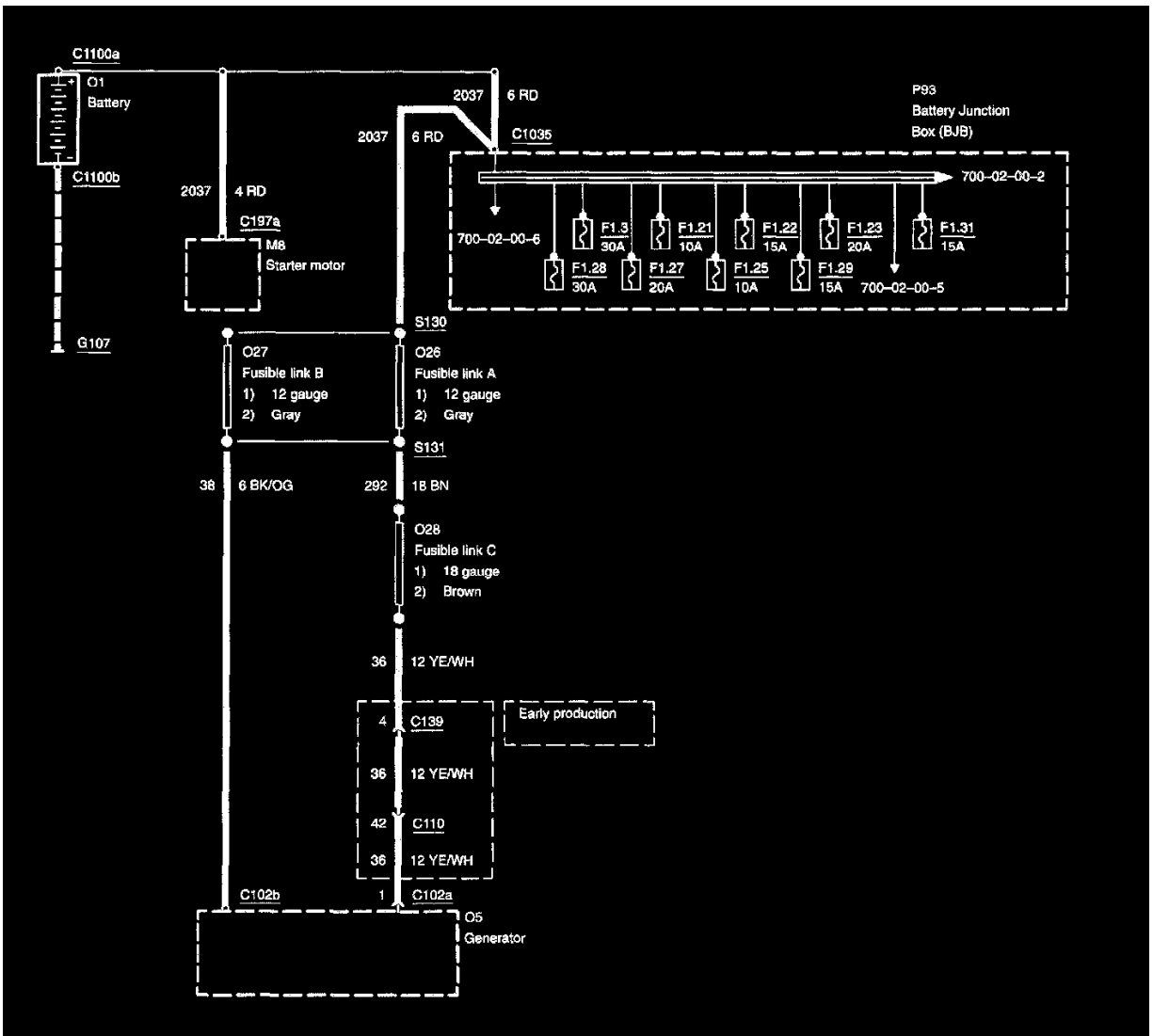


Diagram 700-02-00-1

F 2.4

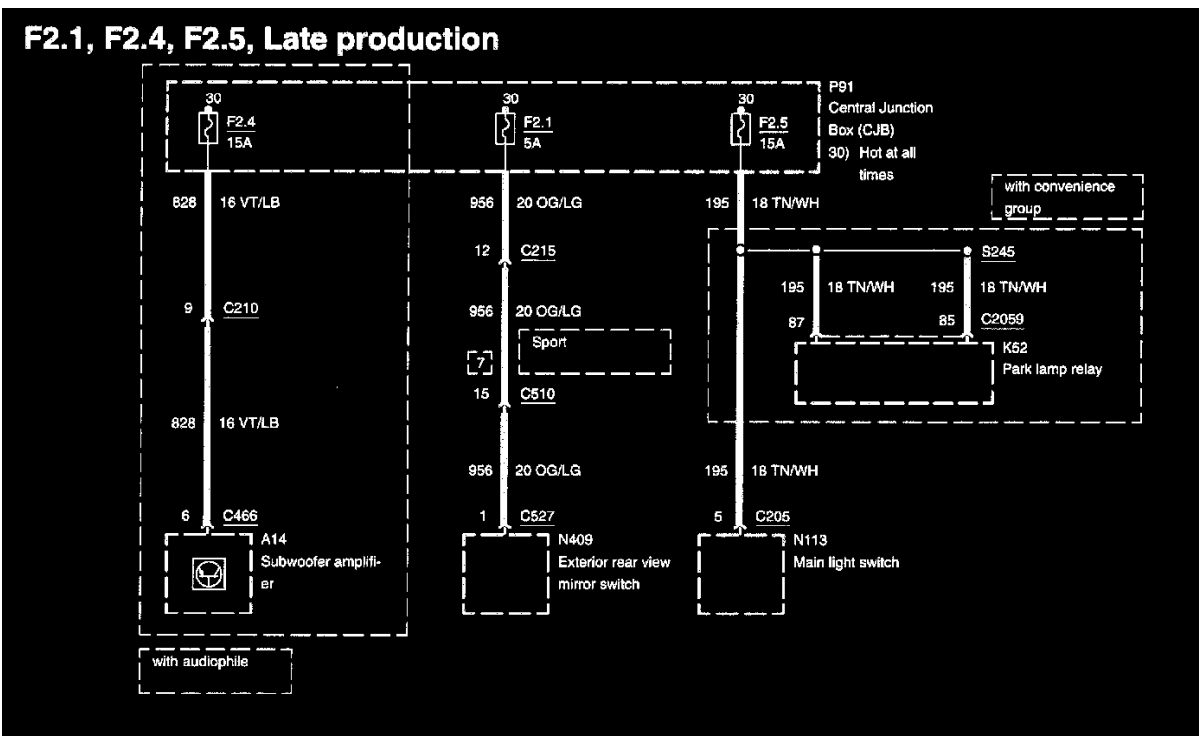


Diagram 700-03-00-11

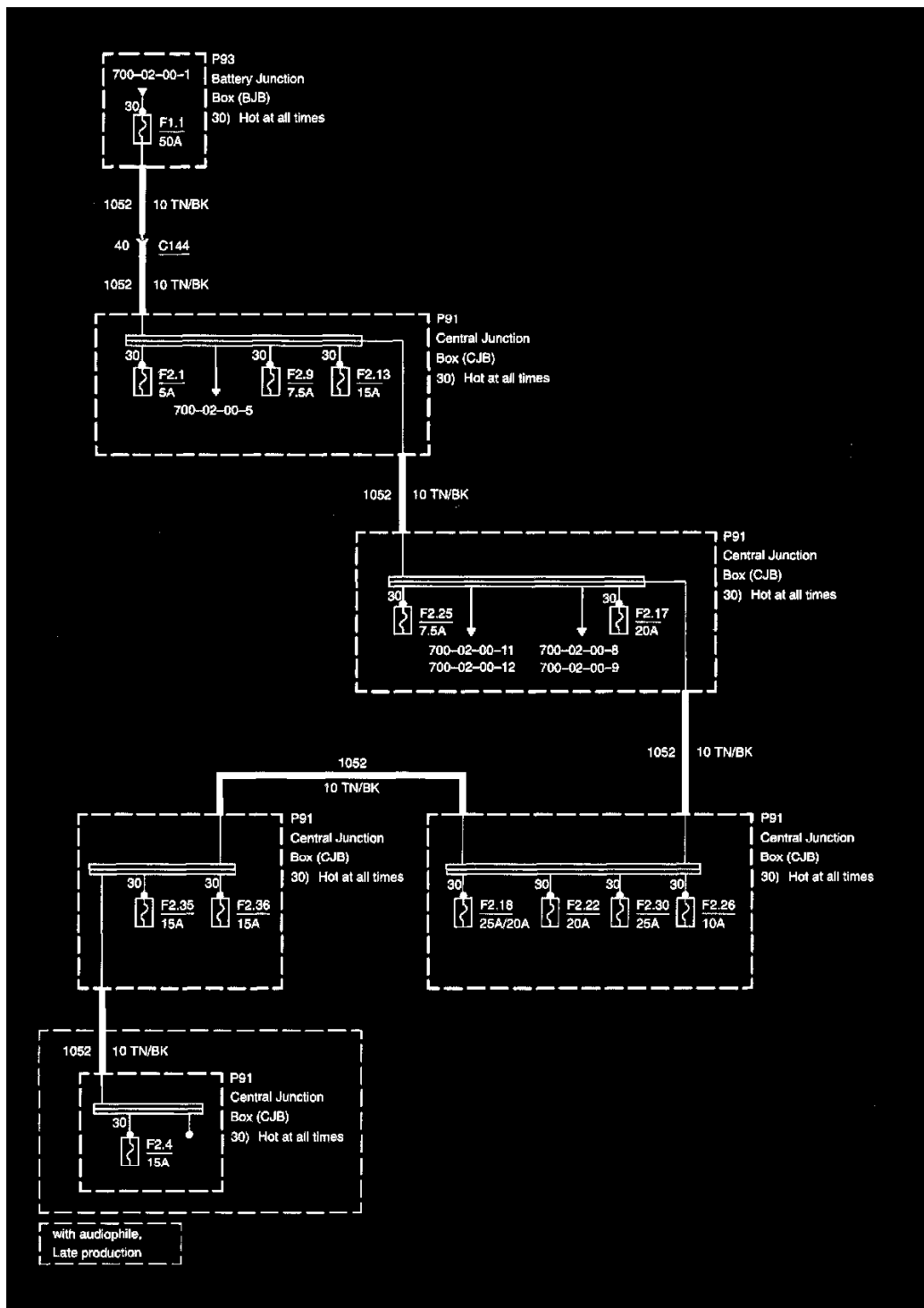


Diagram 700-02-00-6

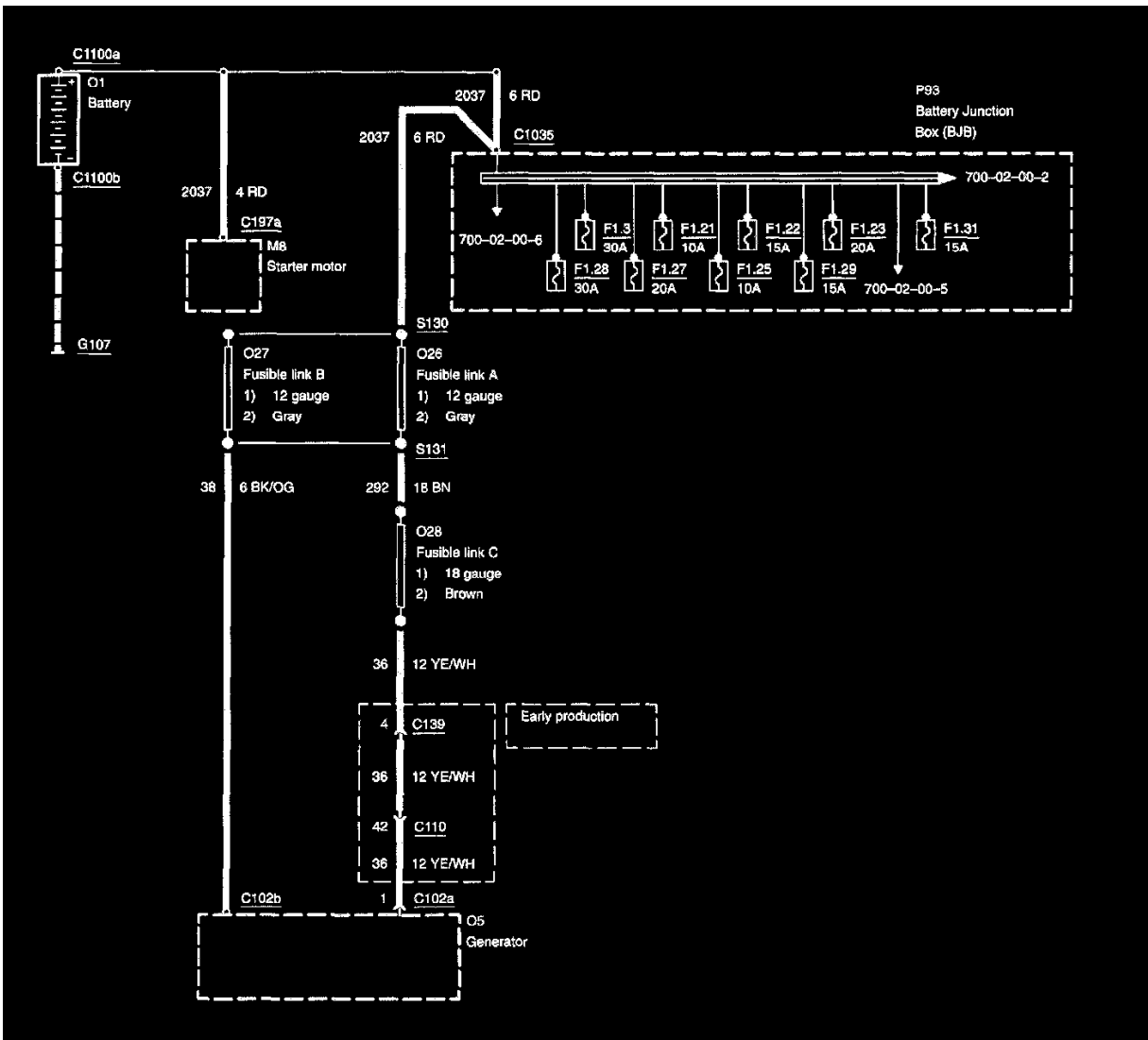


Diagram 700-02-00-1

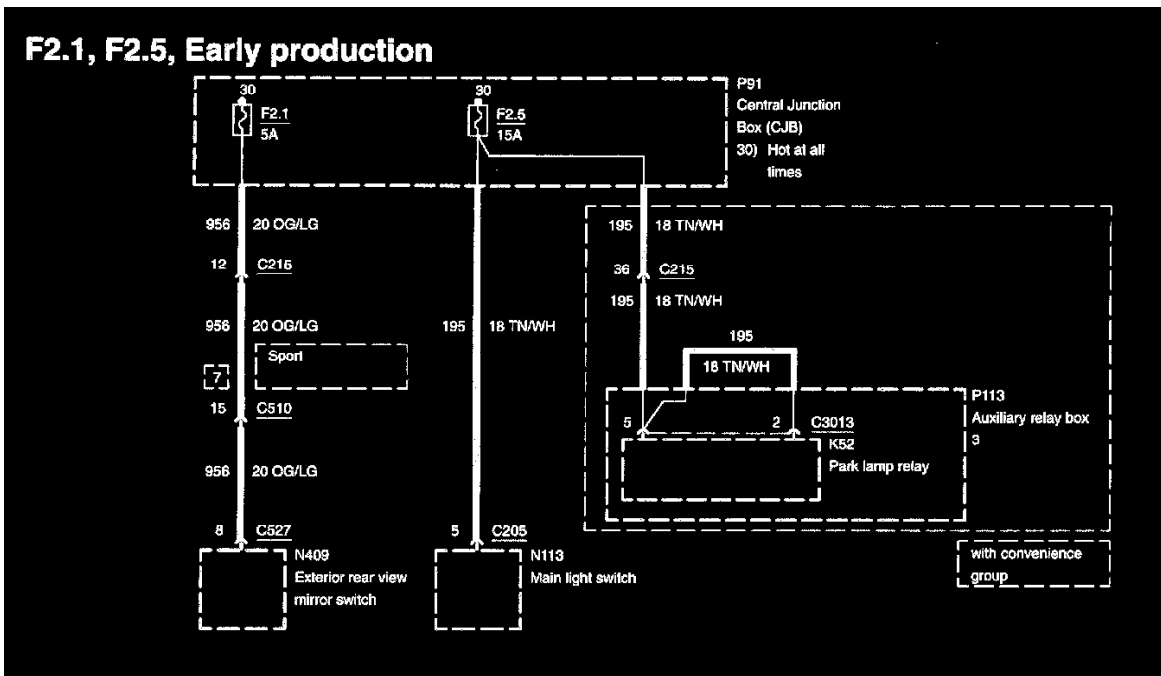


Diagram 700-03-00-10

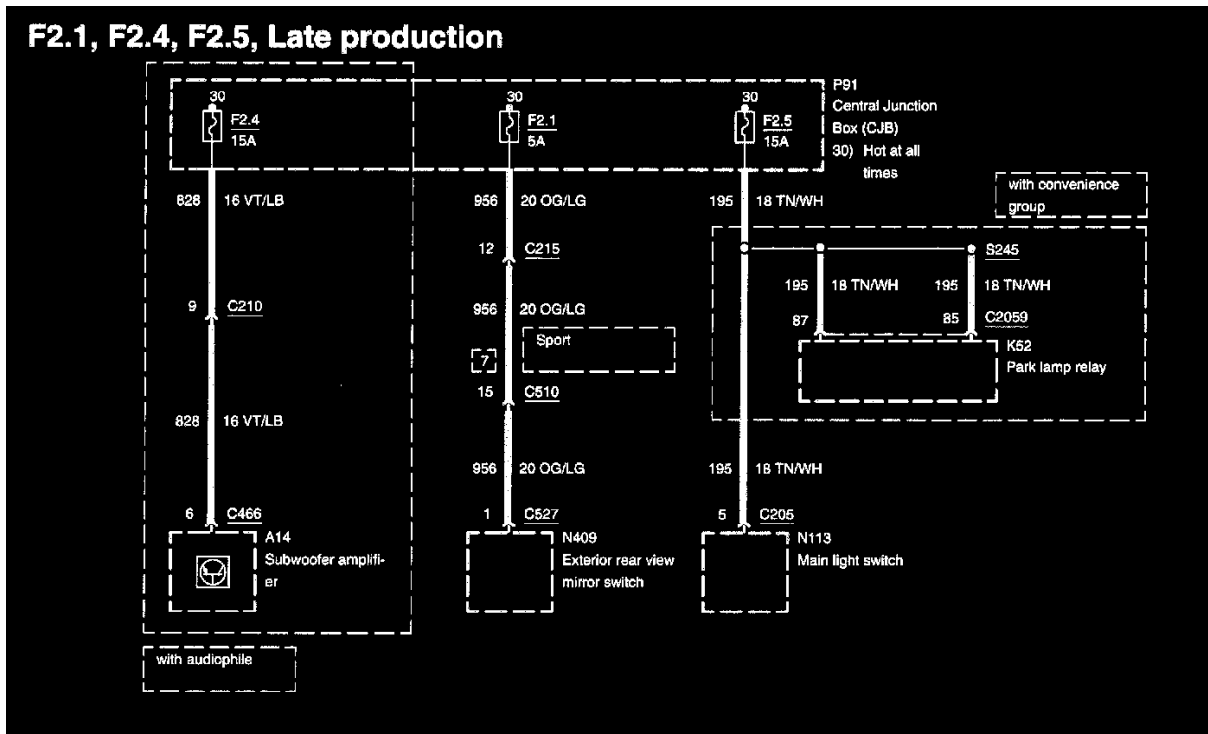


Diagram 700-03-00-11

F 2.6

F2.6, F2.31

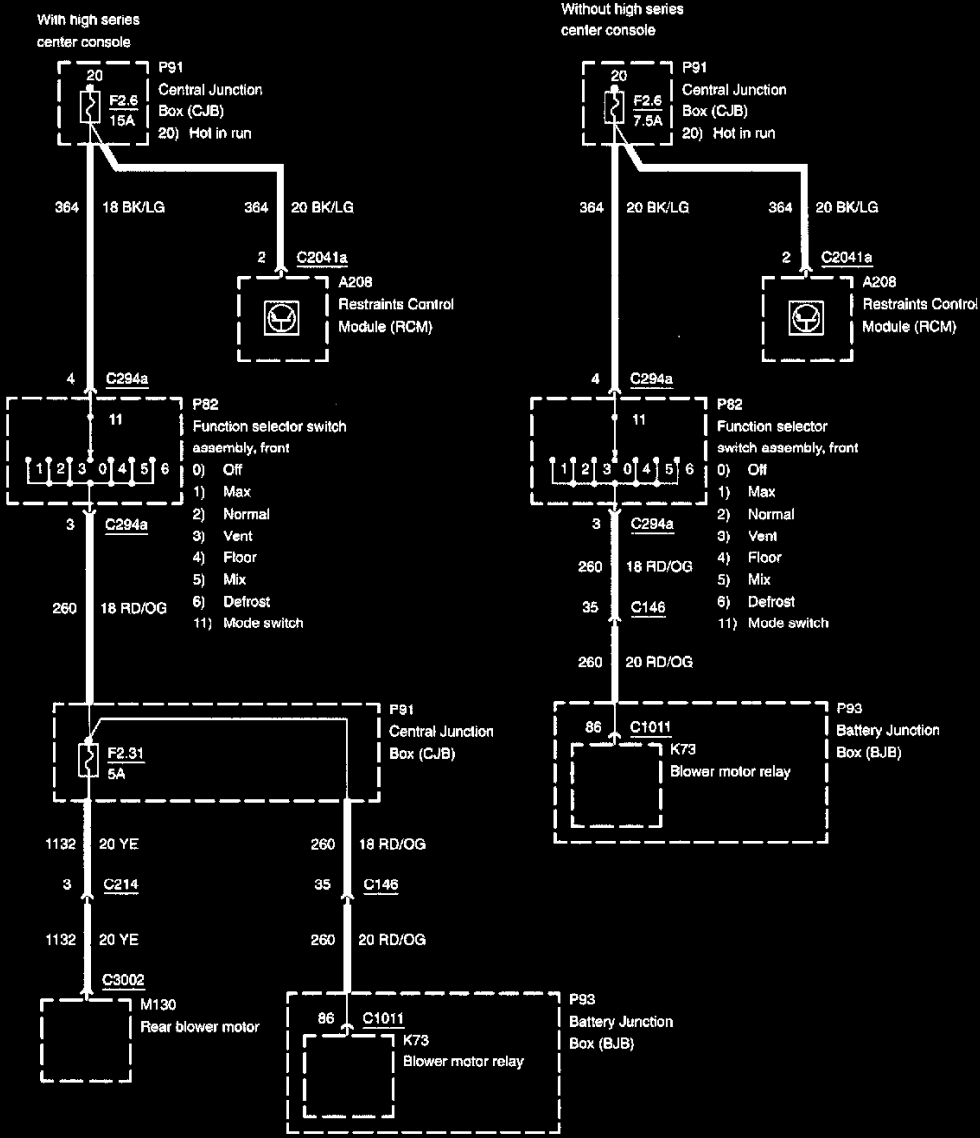


Diagram 700-03-00-12

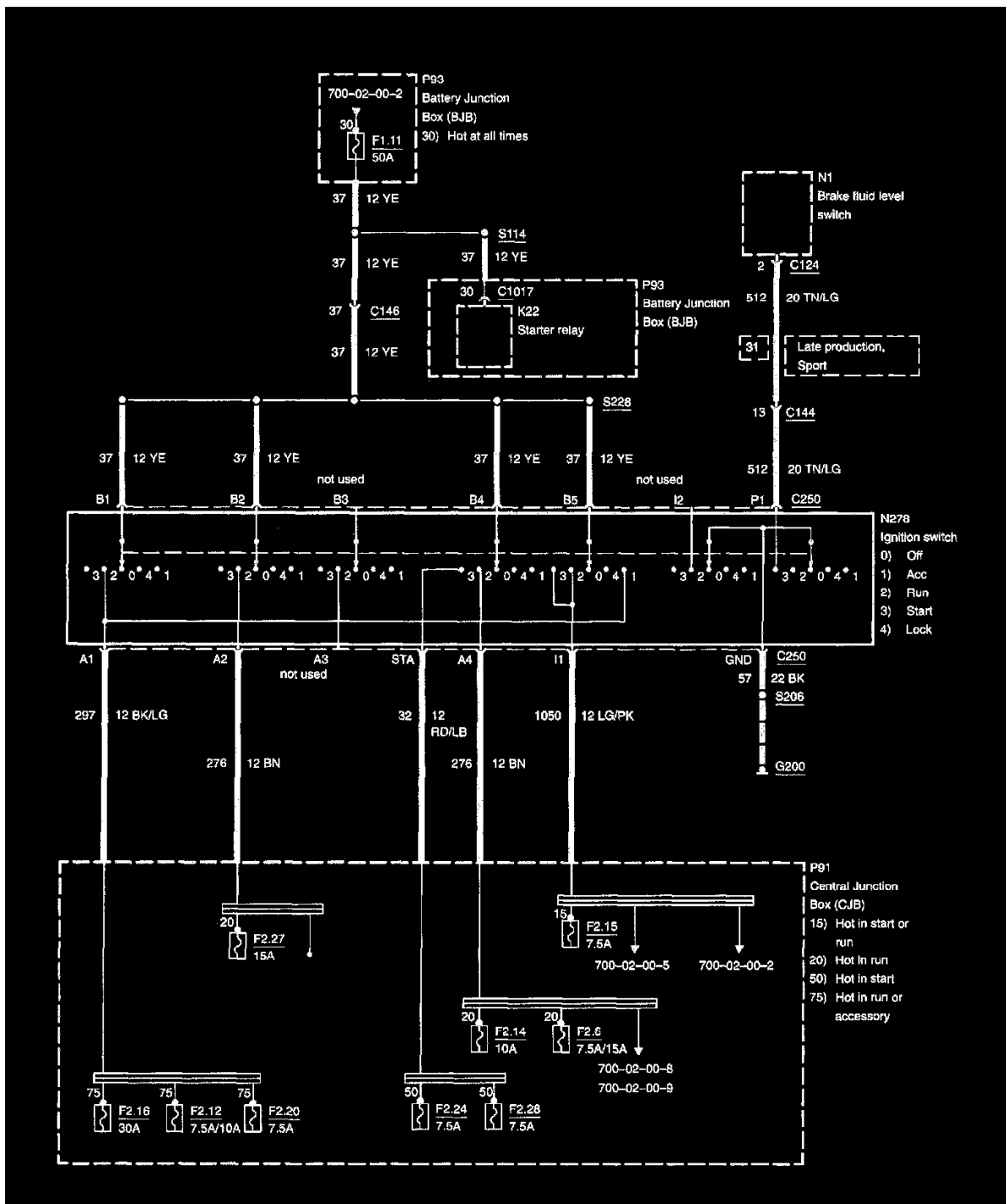


Diagram 700-02-00-7

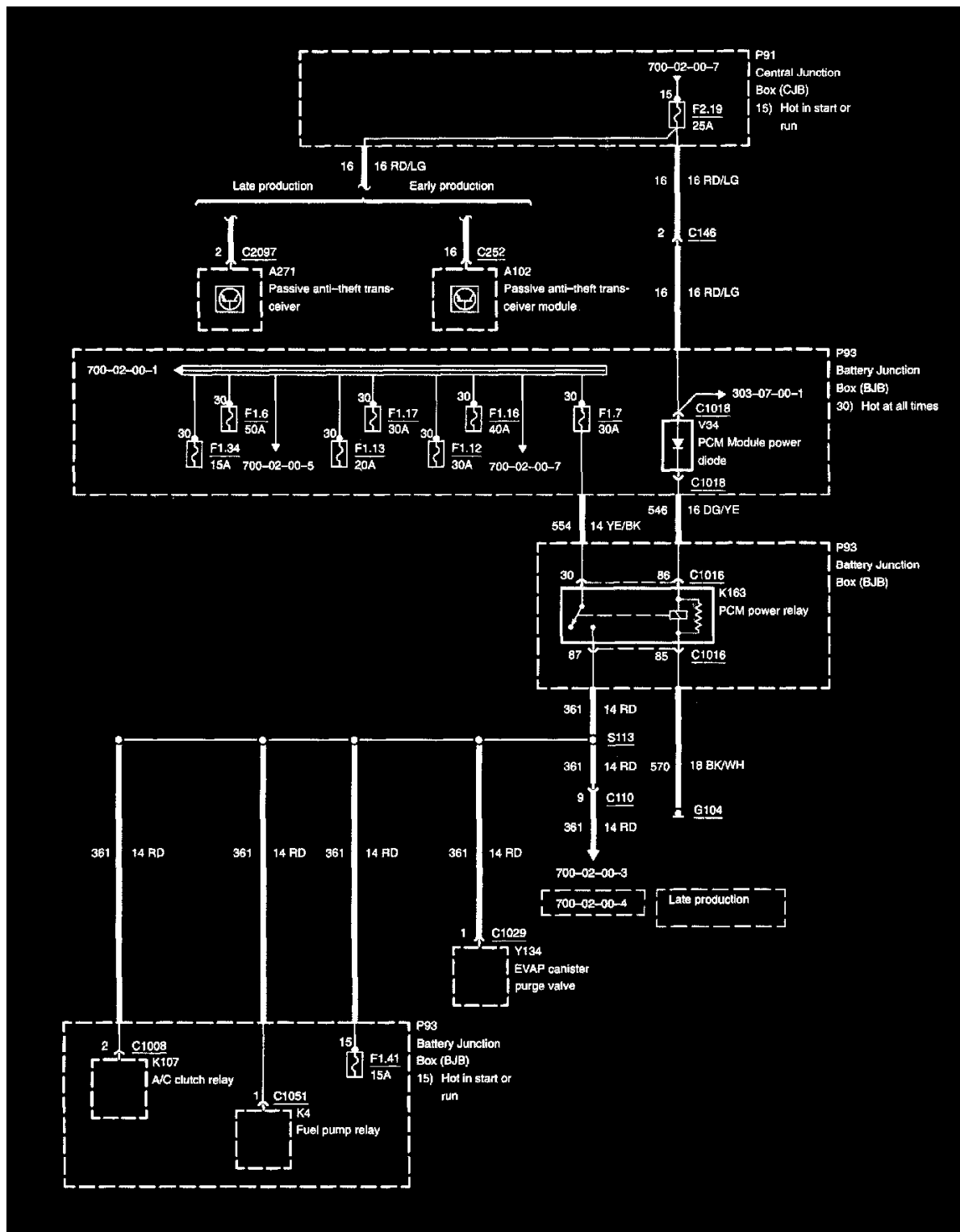


Diagram 700-02-00-2

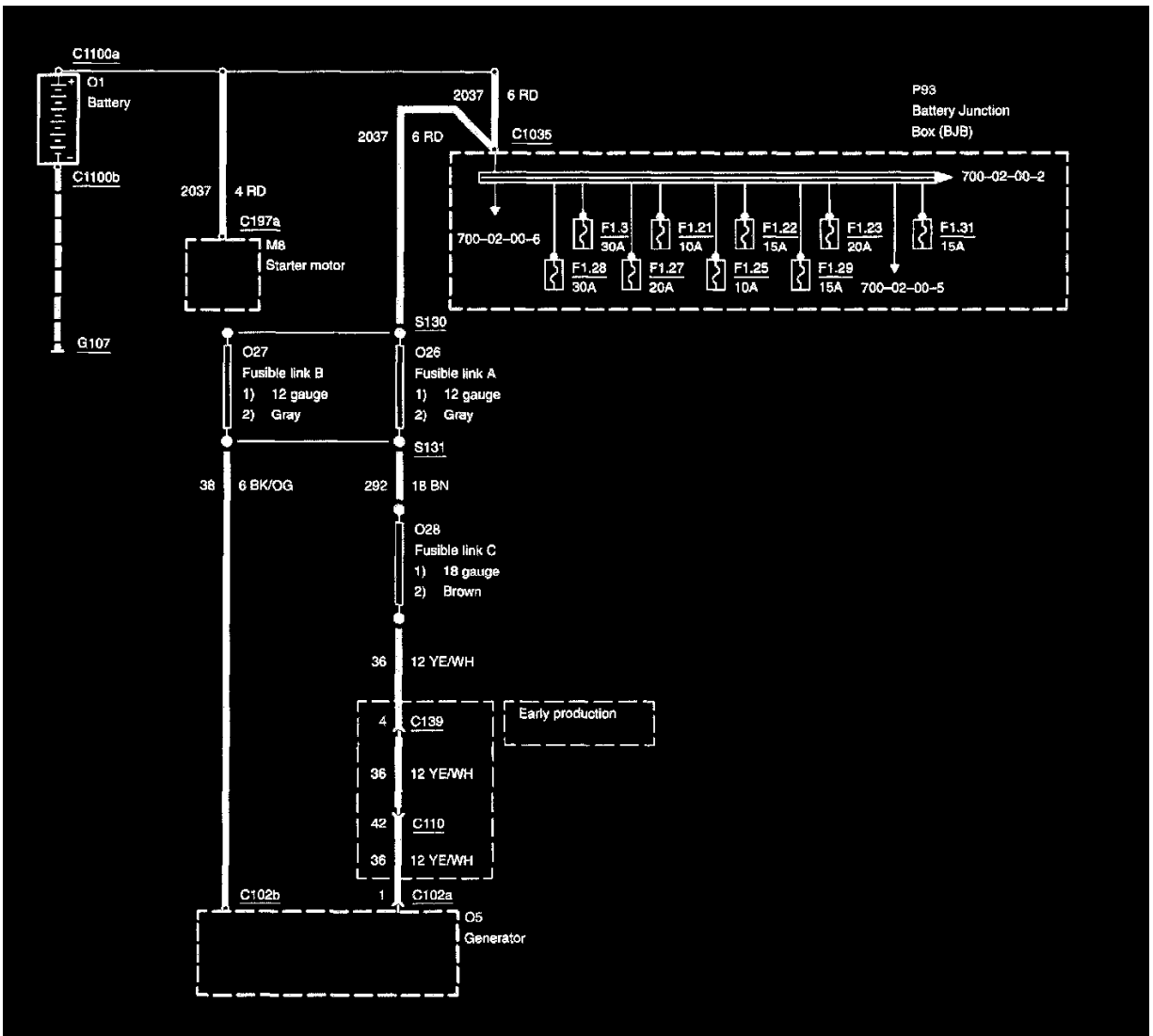


Diagram 700-02-00-1

F 2.9

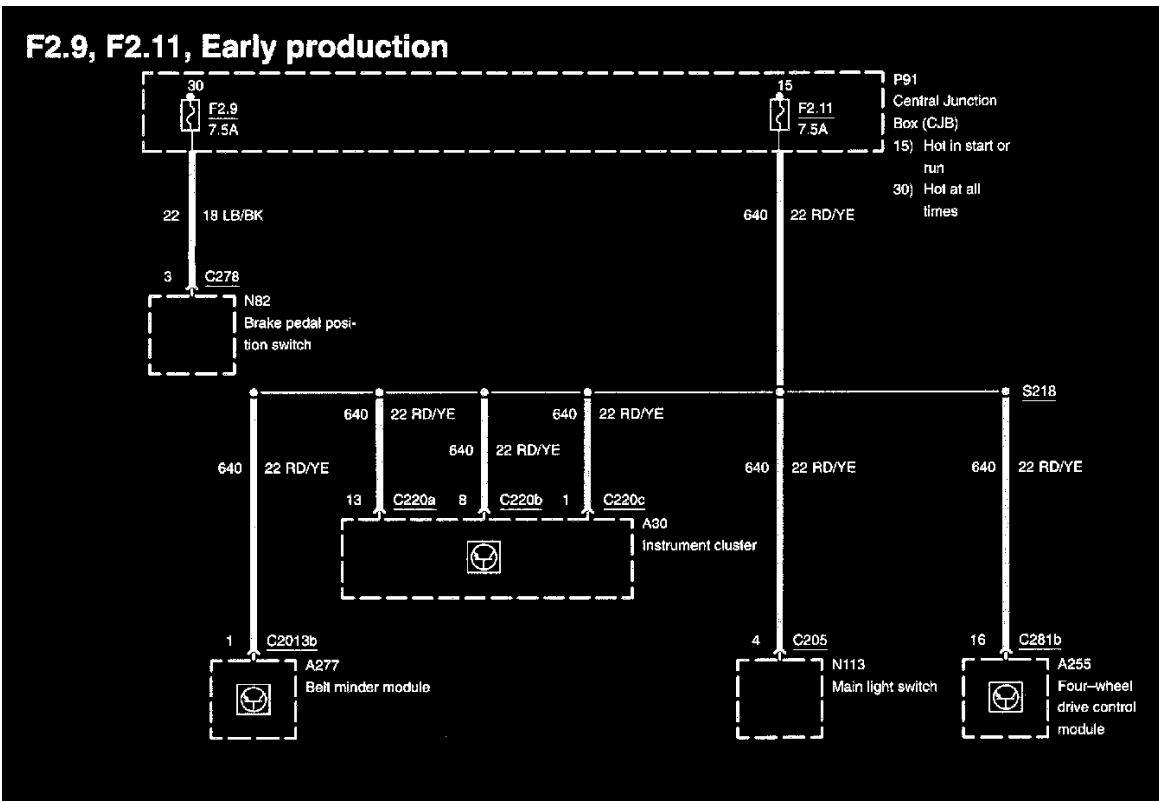


Diagram 700-03-00-13

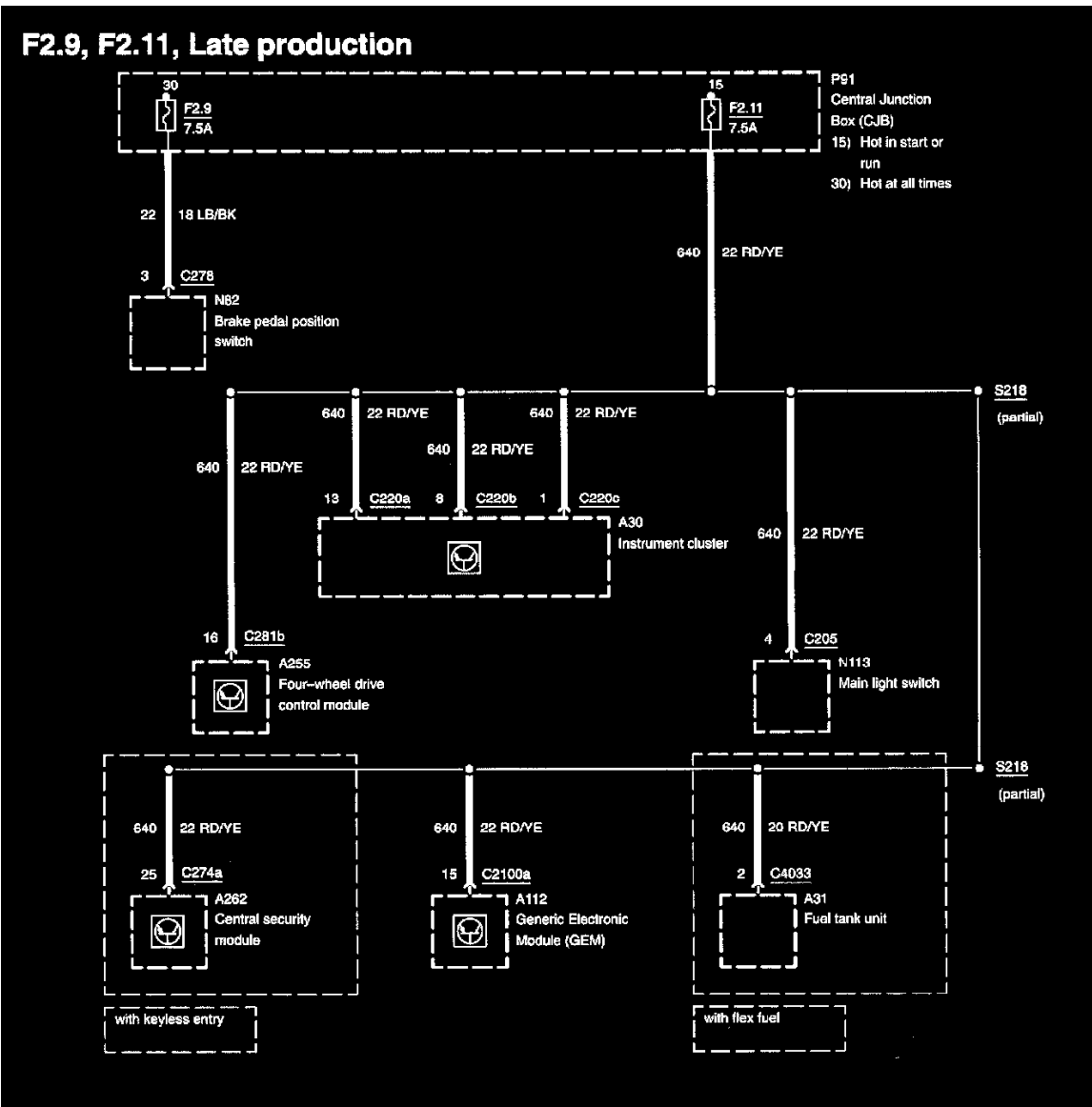


Diagram 700-03-00-14

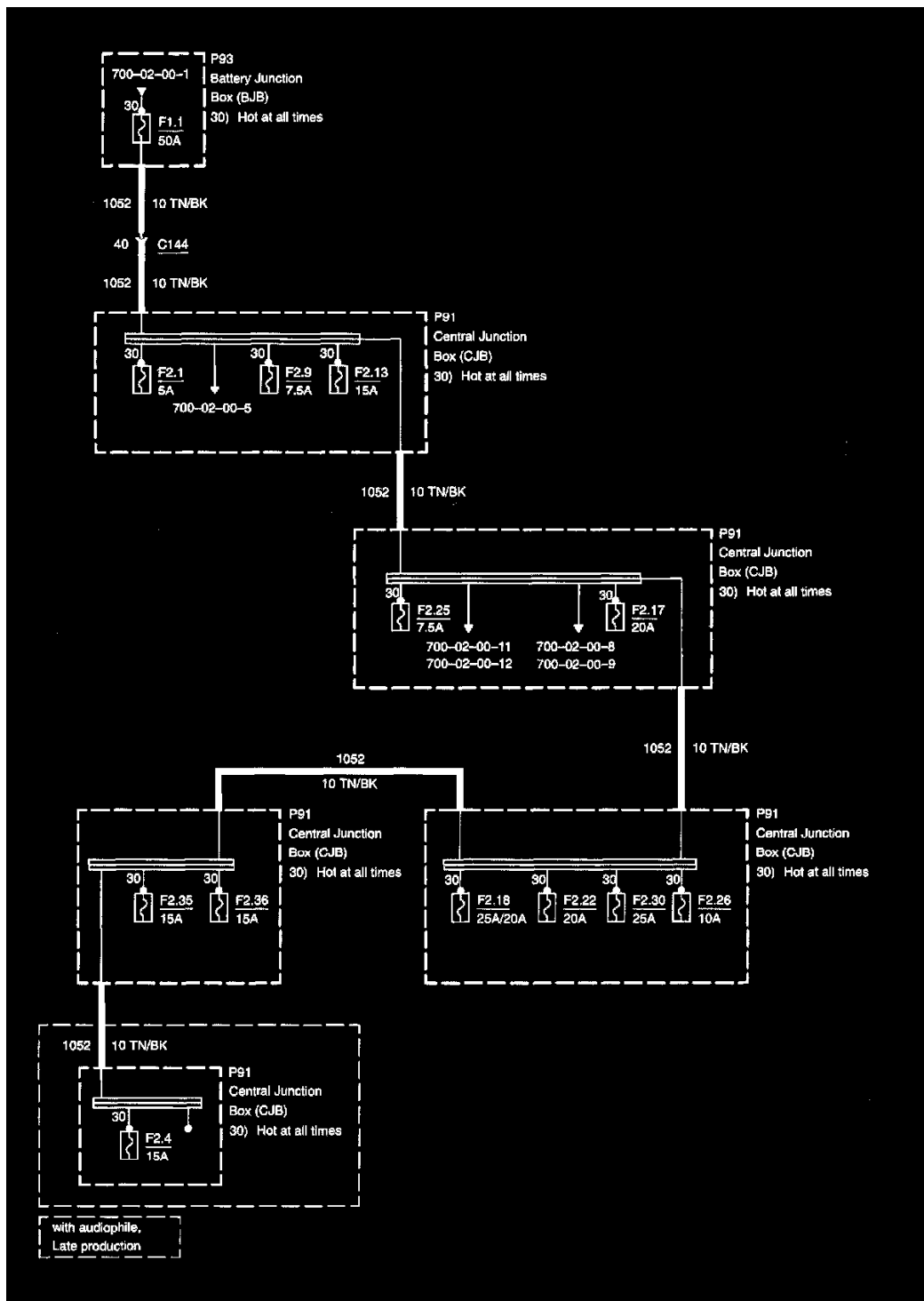


Diagram 700-02-00-6

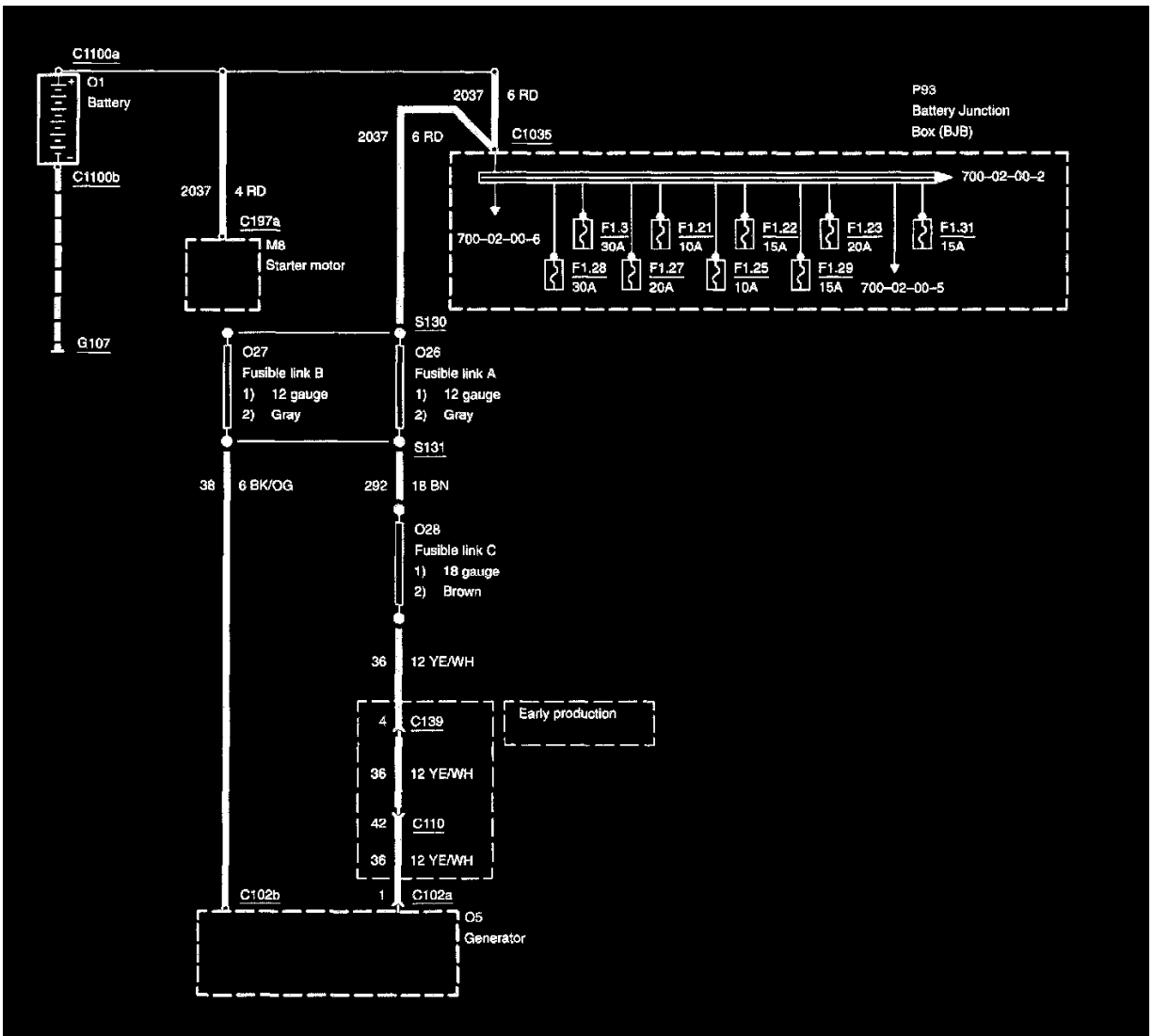


Diagram 700-02-00-1

F 2.11

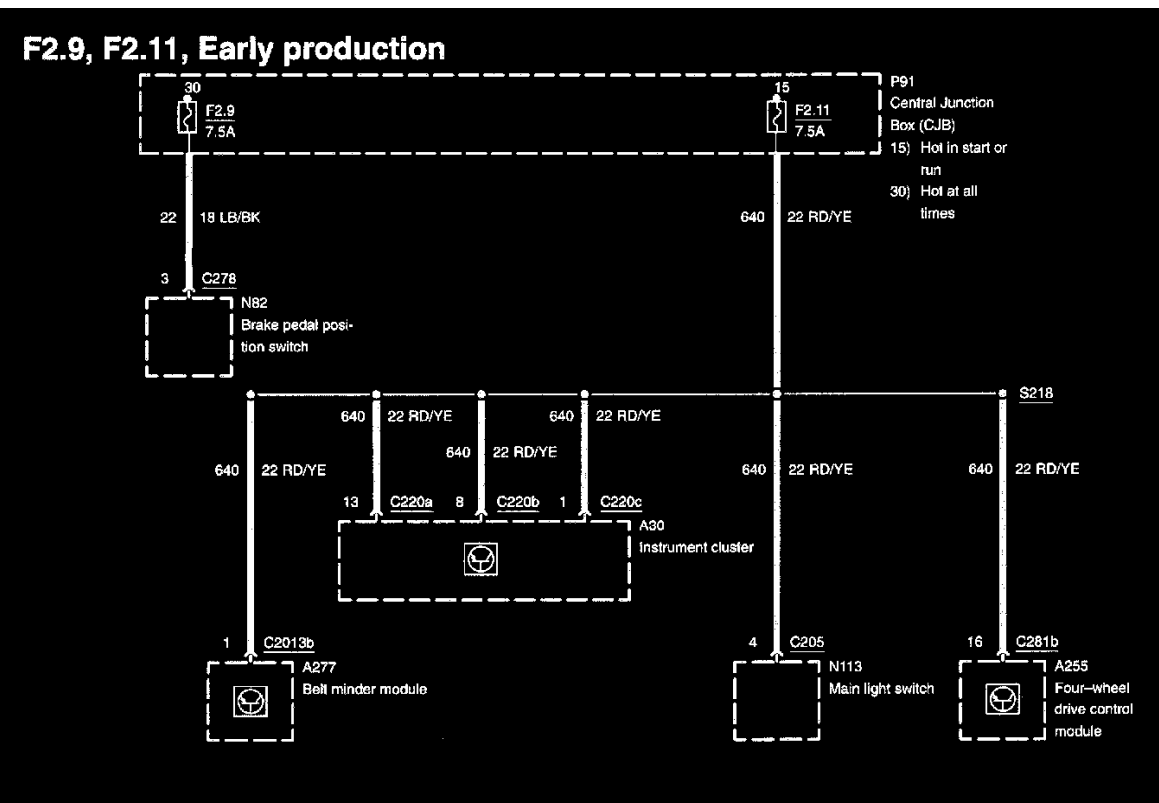


Diagram 700-03-00-13

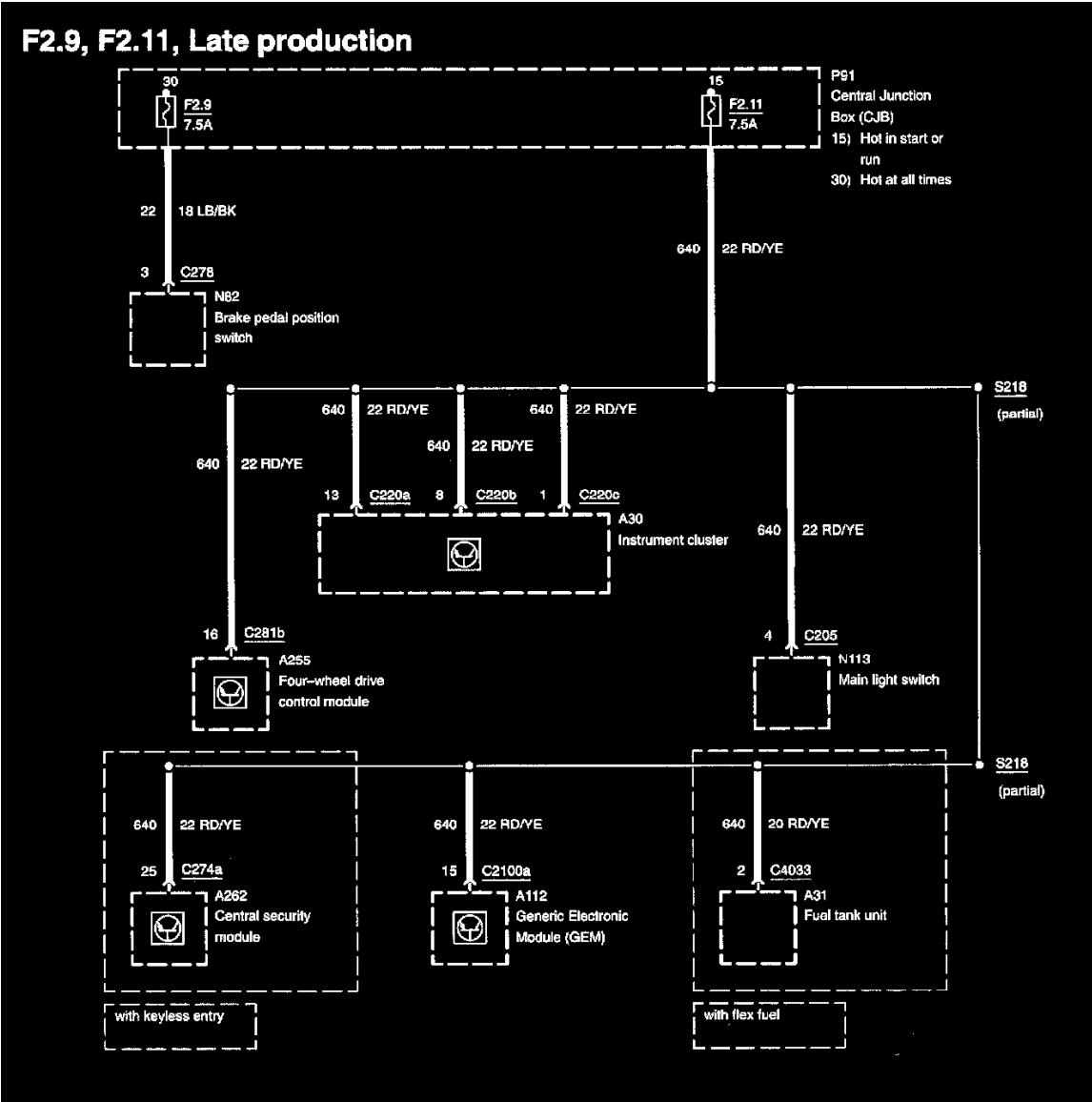


Diagram 700-03-00-14

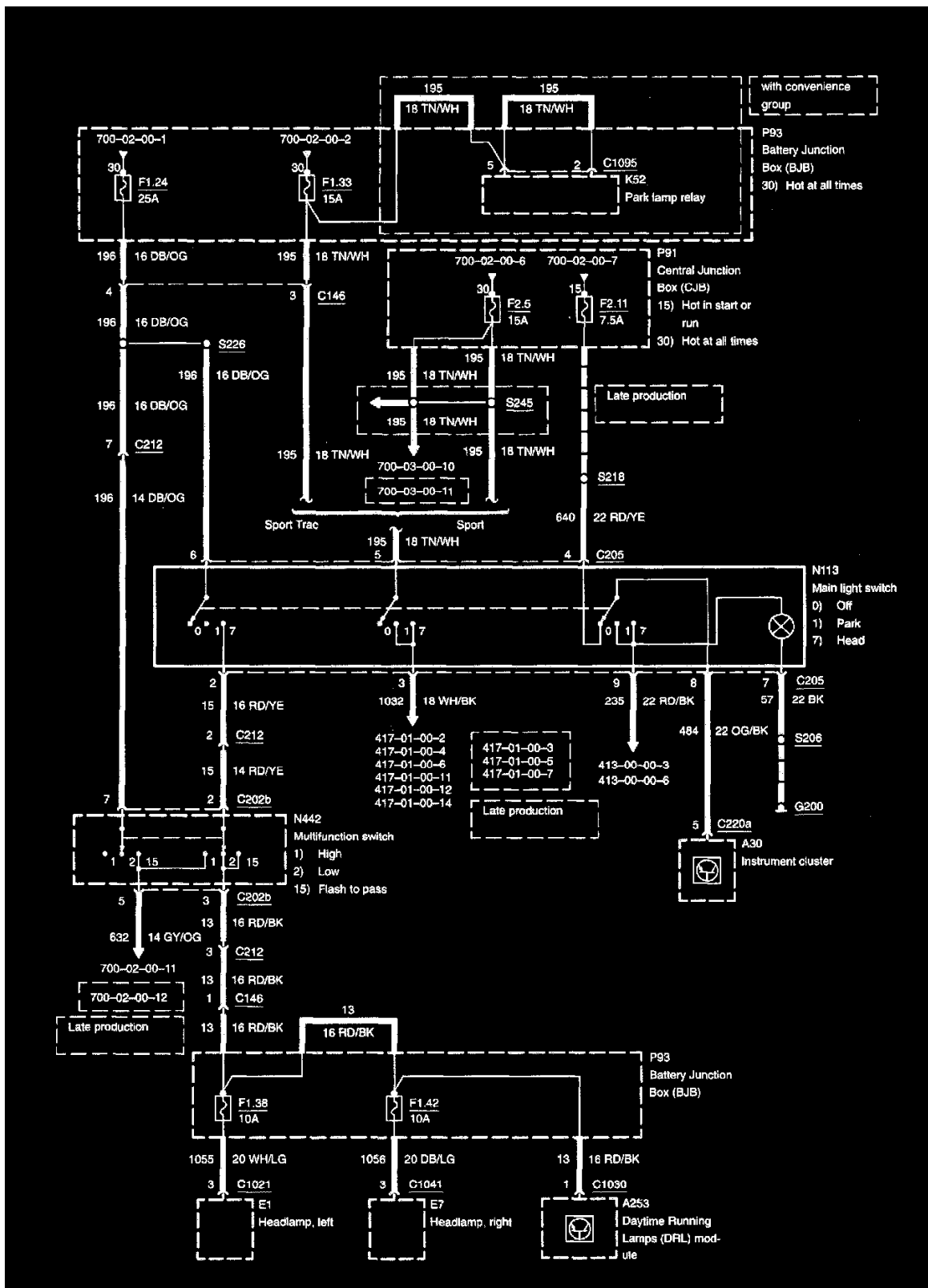


Diagram 700-02-00-5

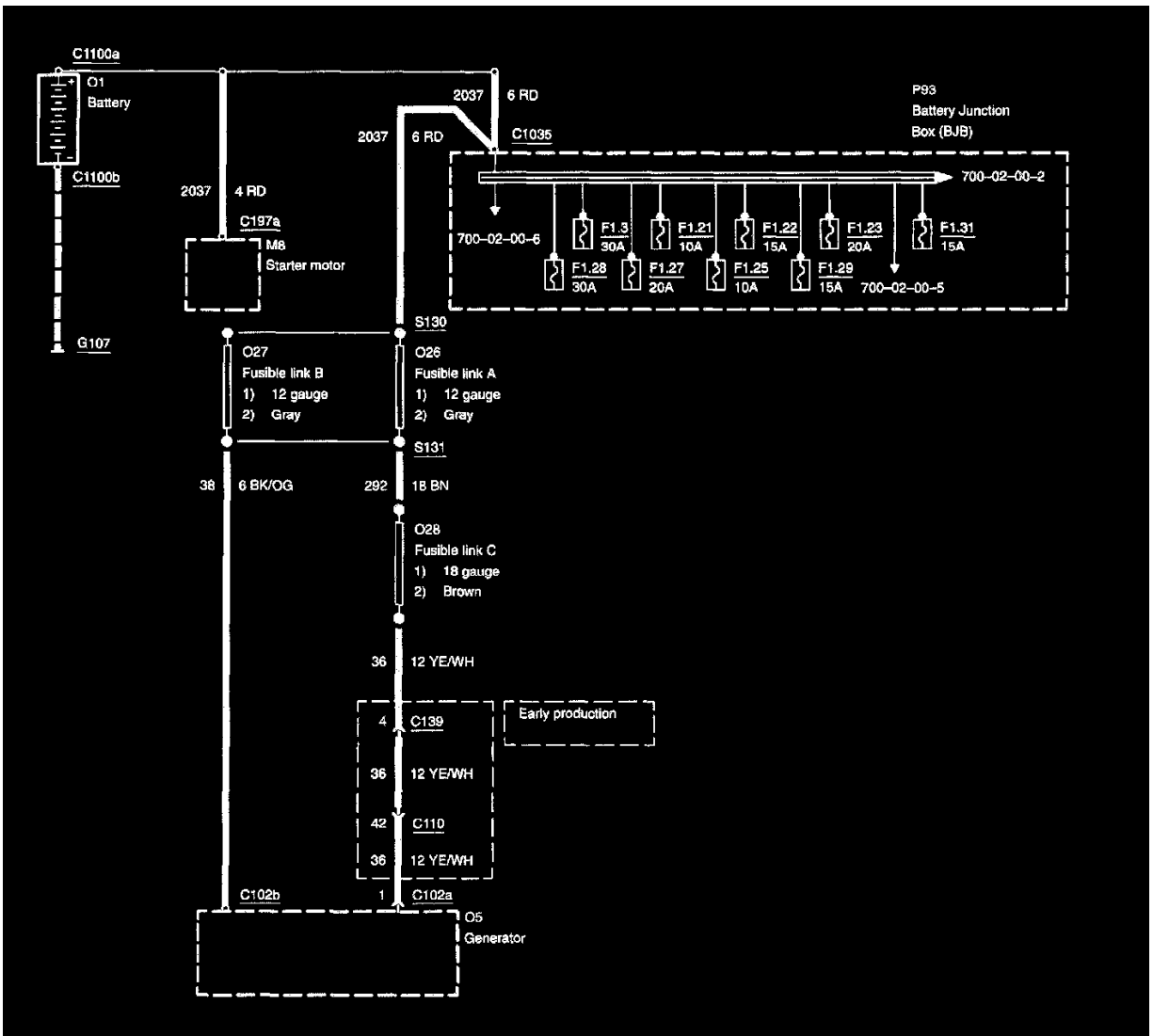


Diagram 700-02-00-1

F 2.12

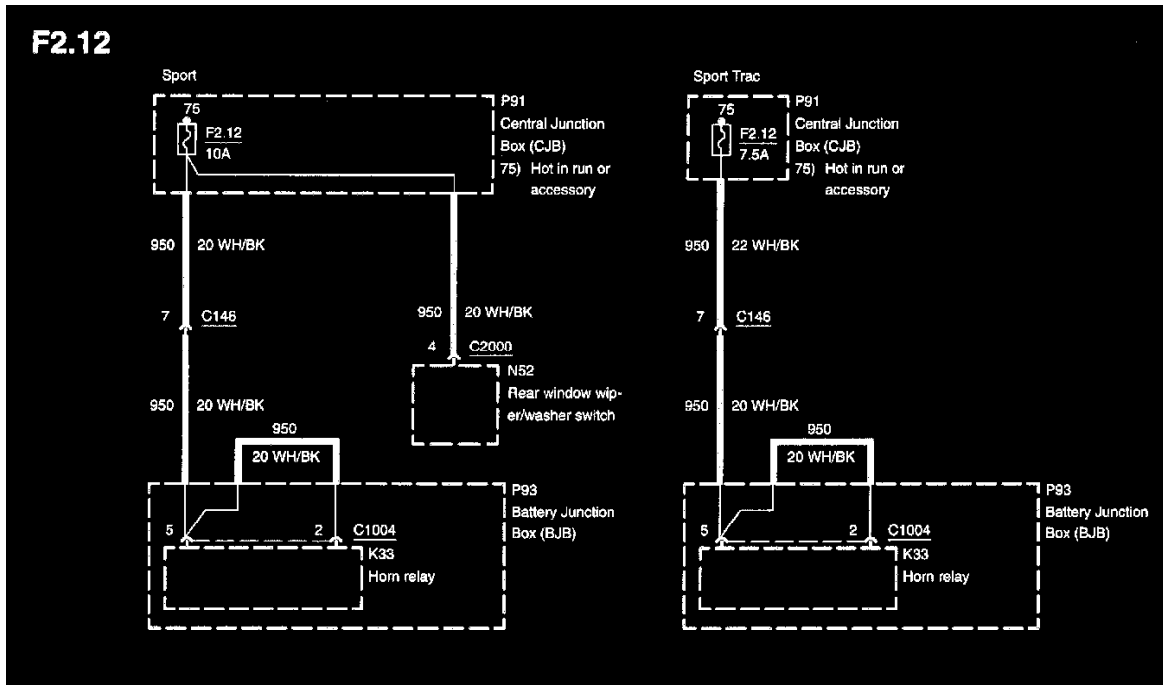


Diagram 700-03-00-15

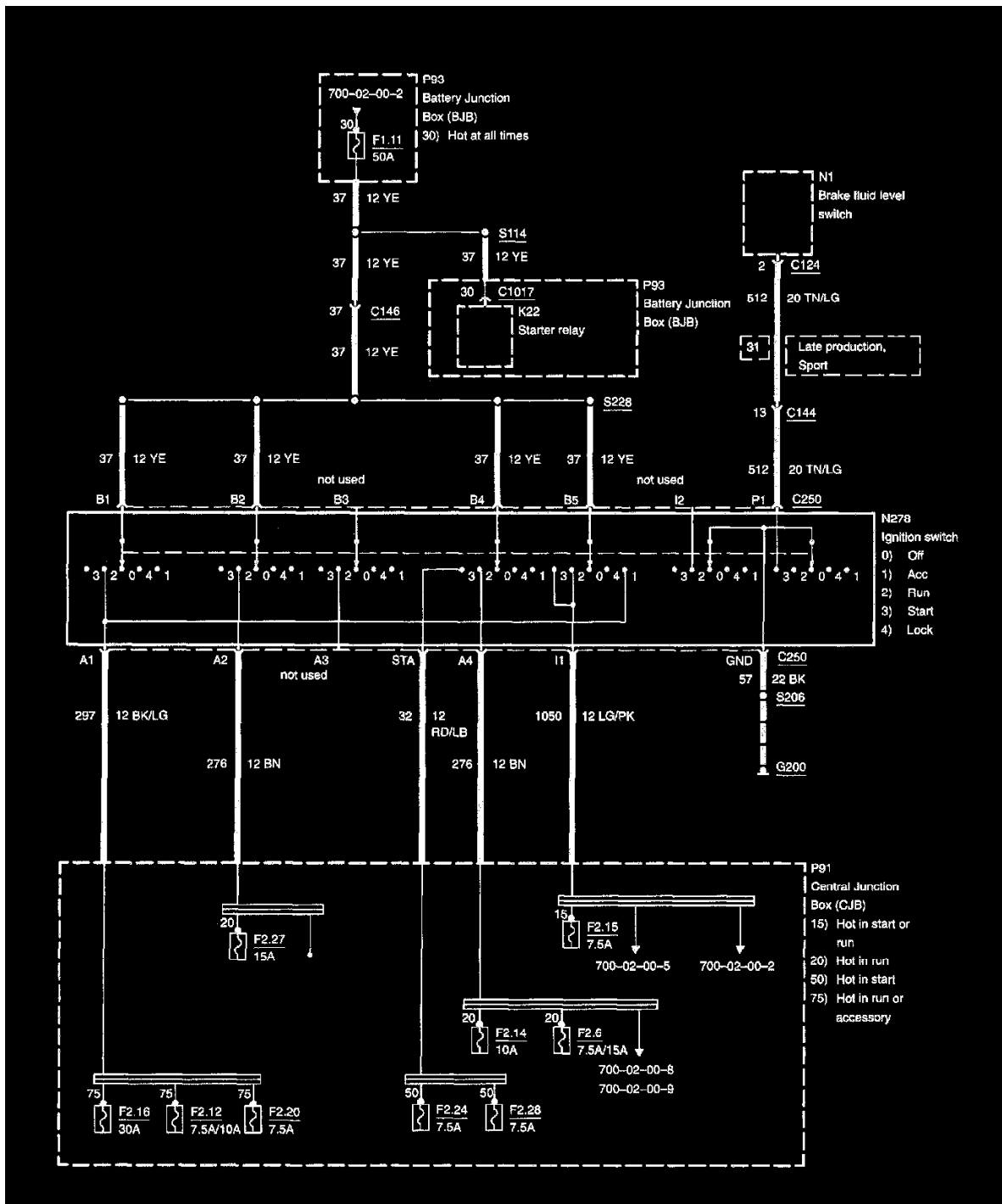


Diagram 700-02-00-7

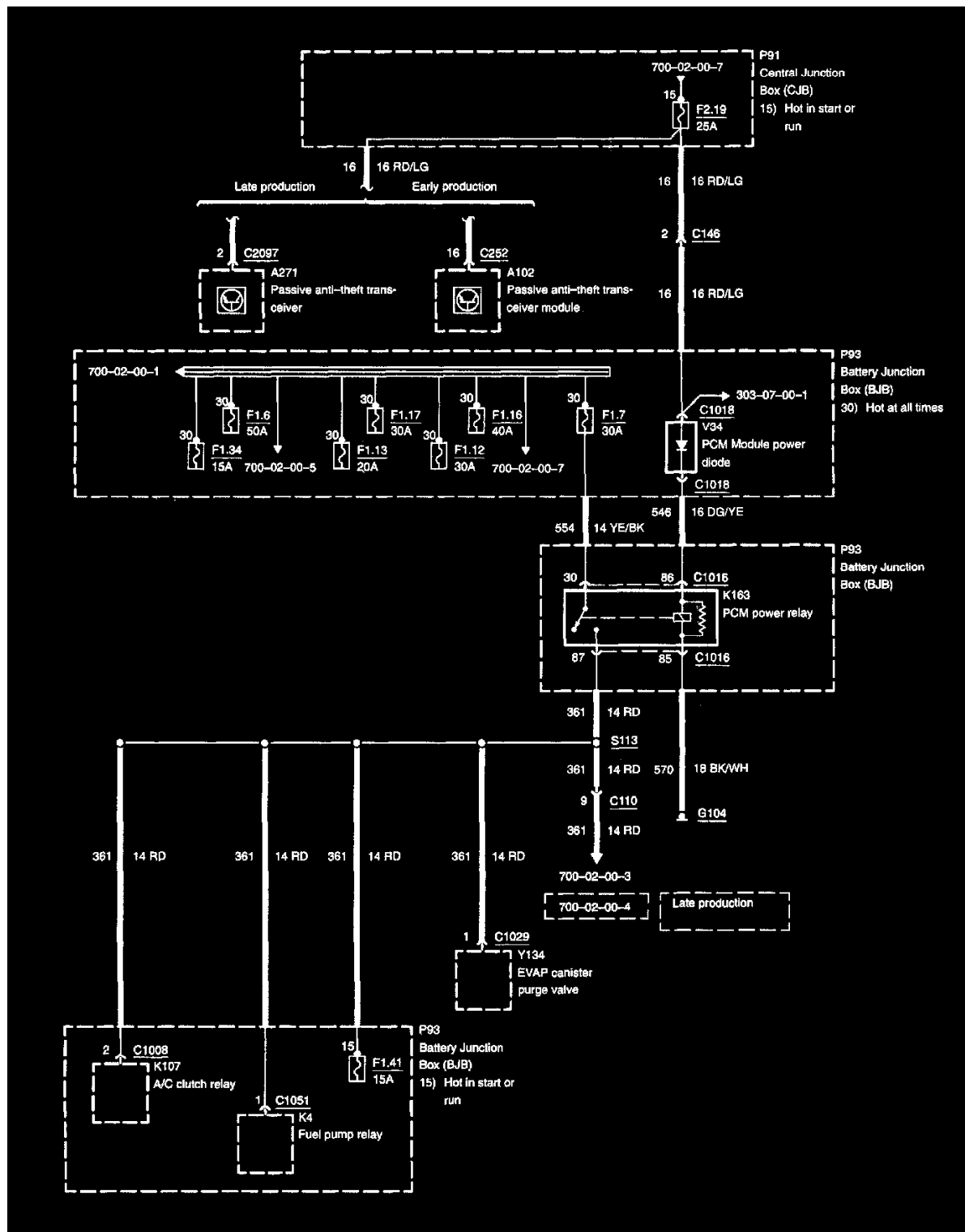


Diagram 700-02-00-2

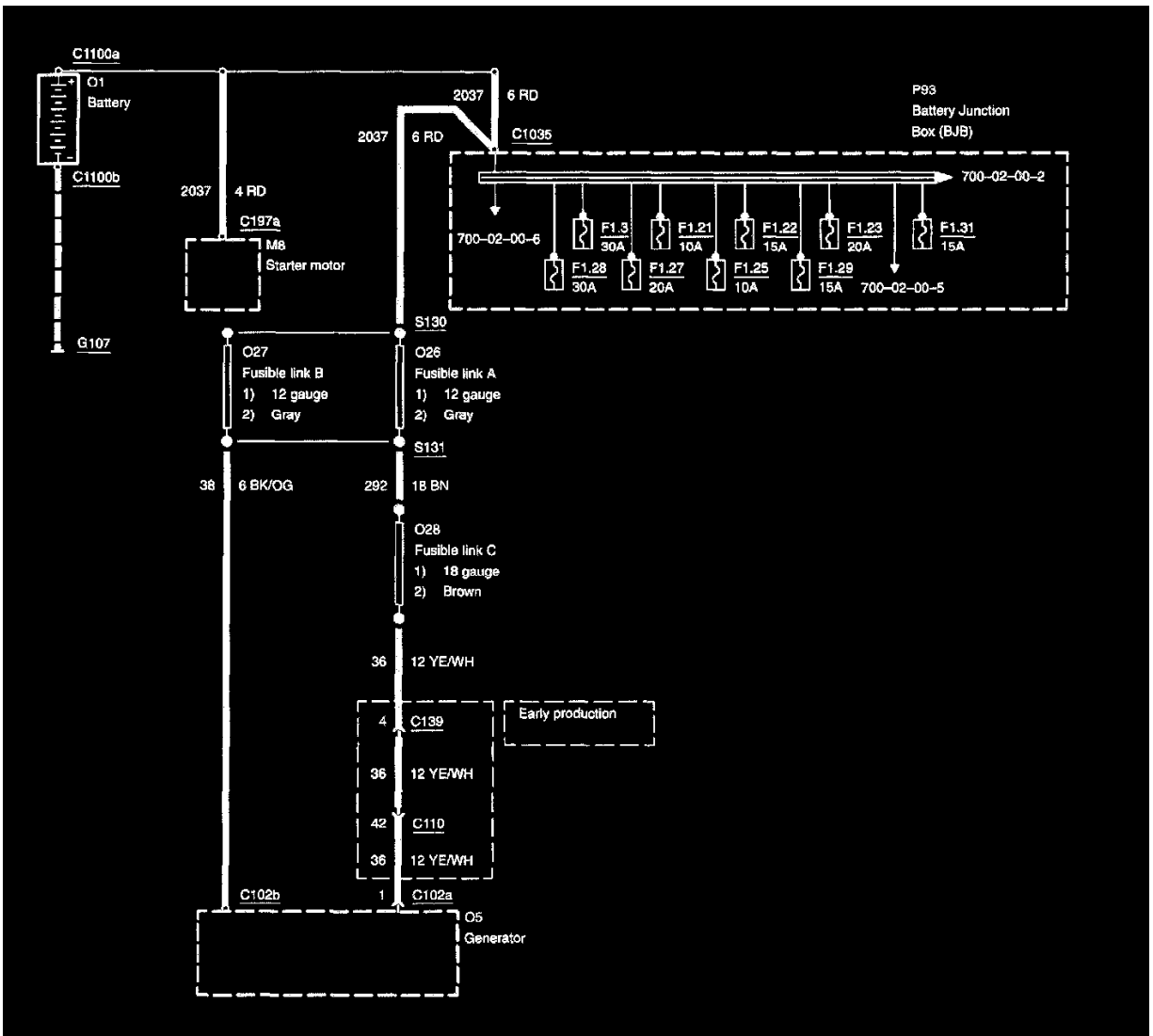


Diagram 700-02-00-1

F 2.13

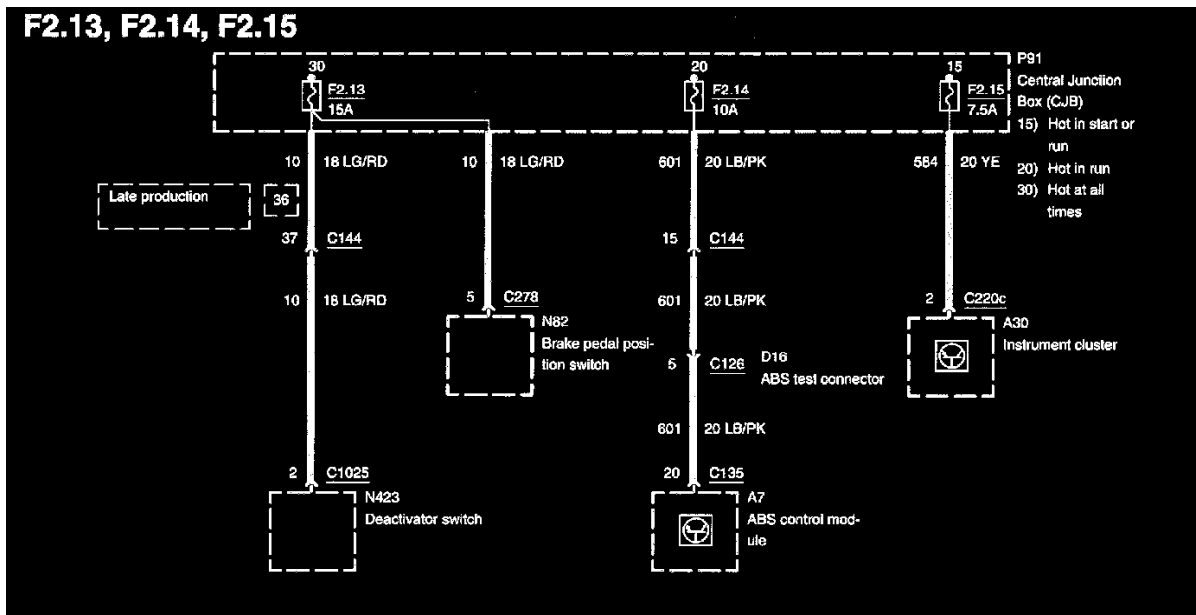


Diagram 700-03-00-16

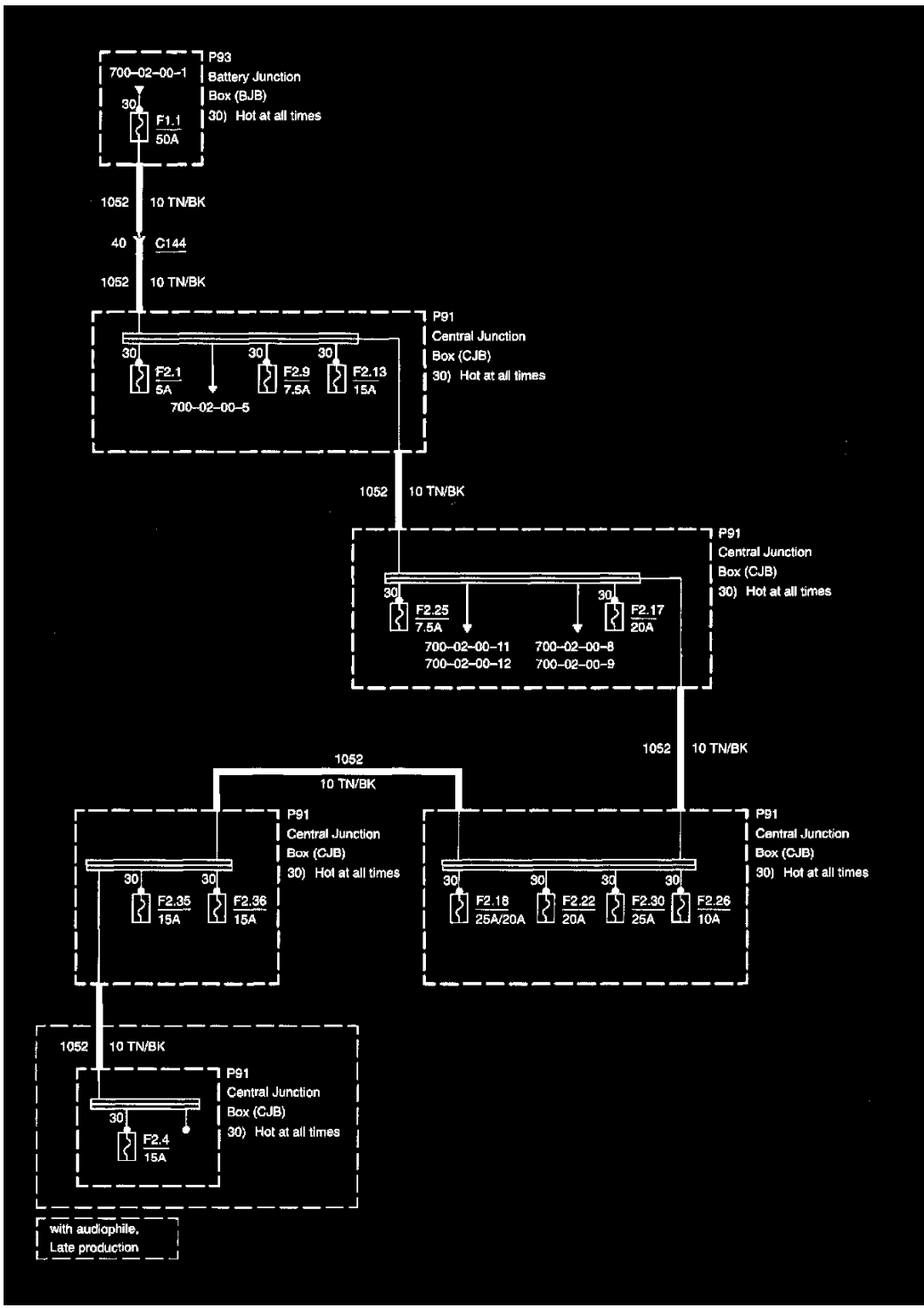


Diagram 700-02-00-6

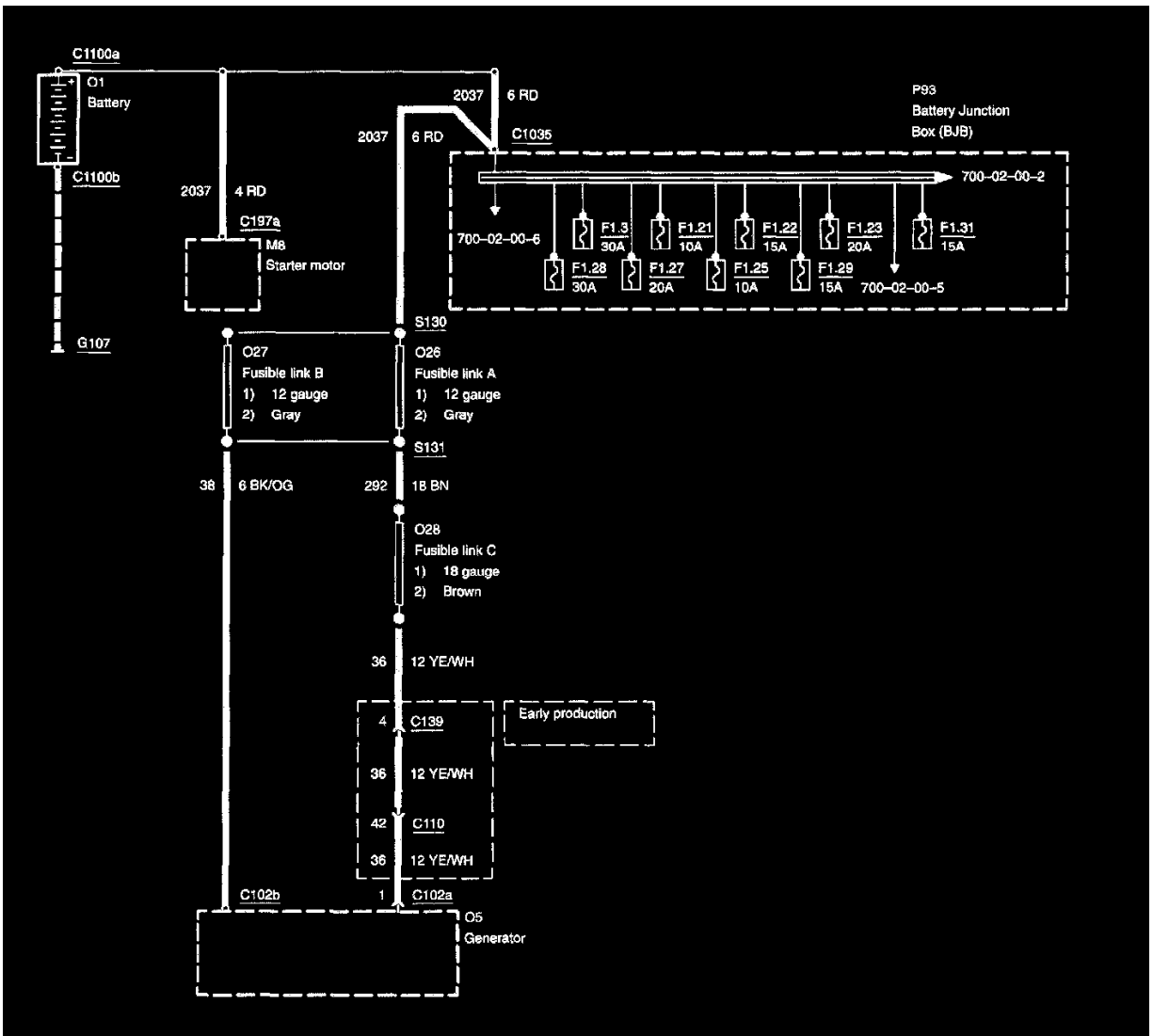


Diagram 700-02-00-1

F 2.14

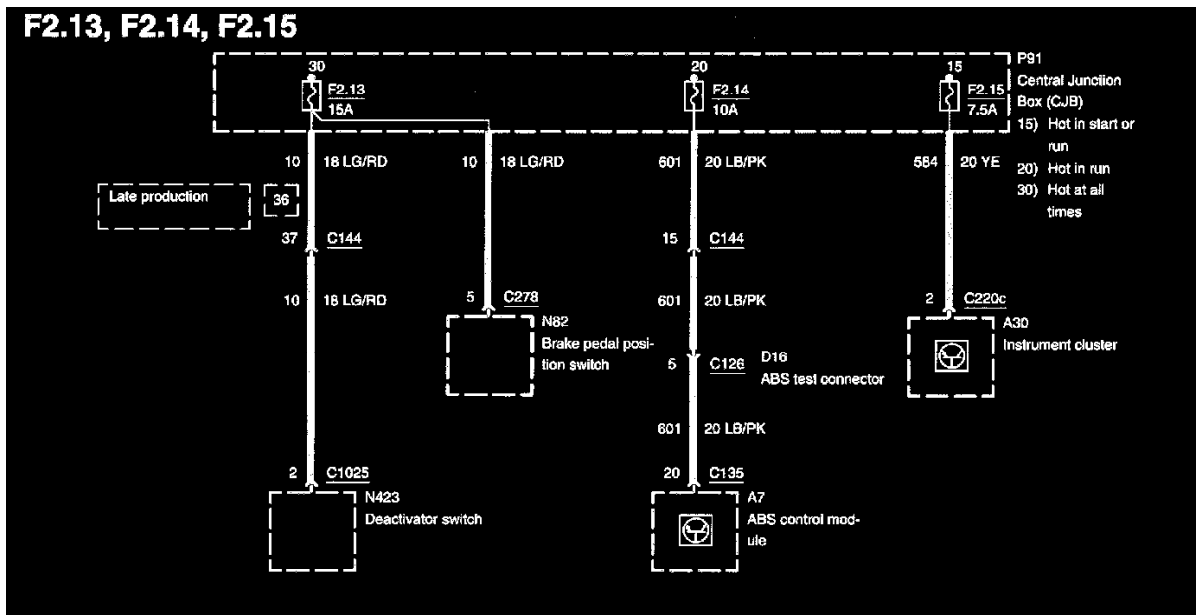


Diagram 700-03-00-16

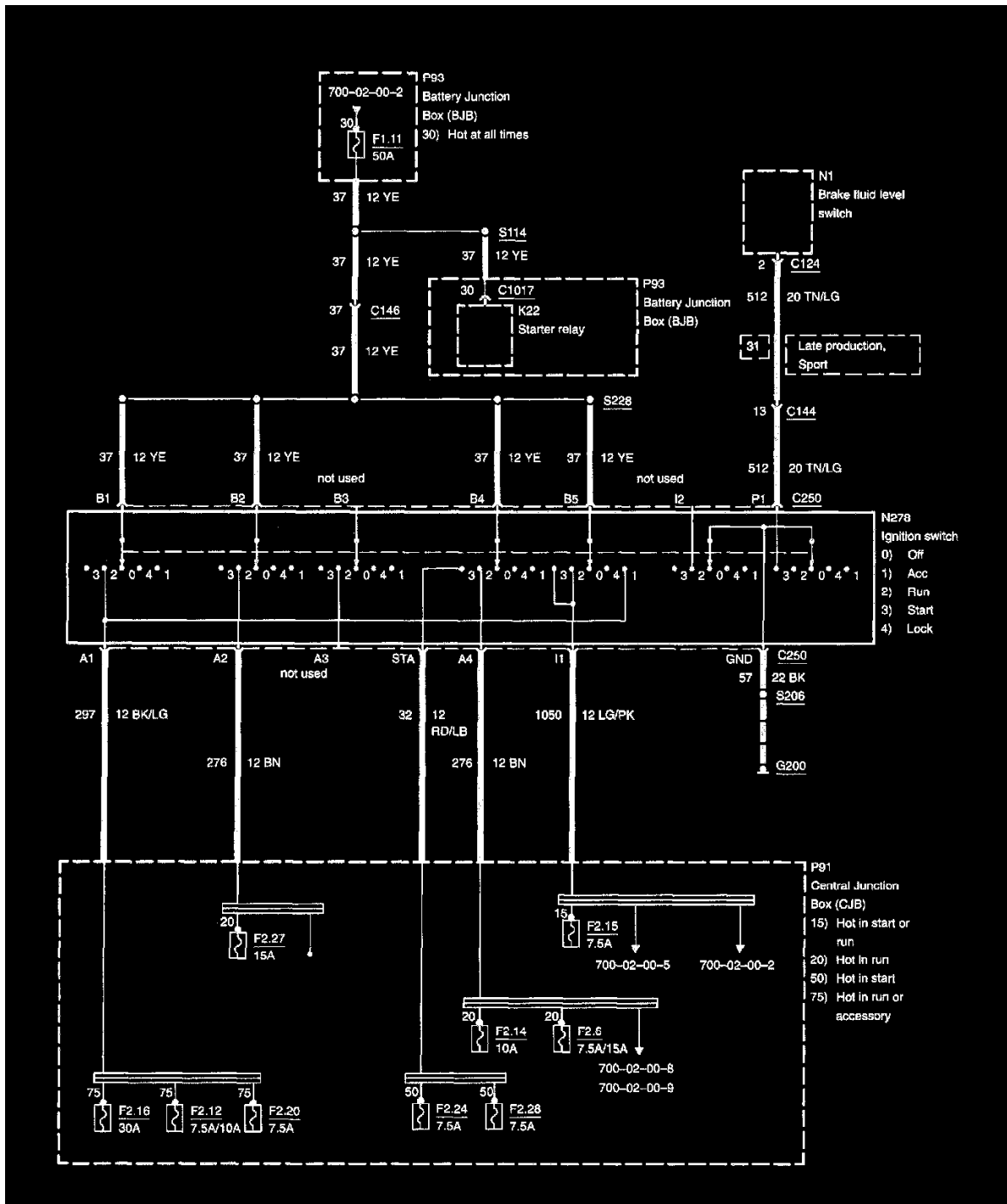


Diagram 700-02-00-7

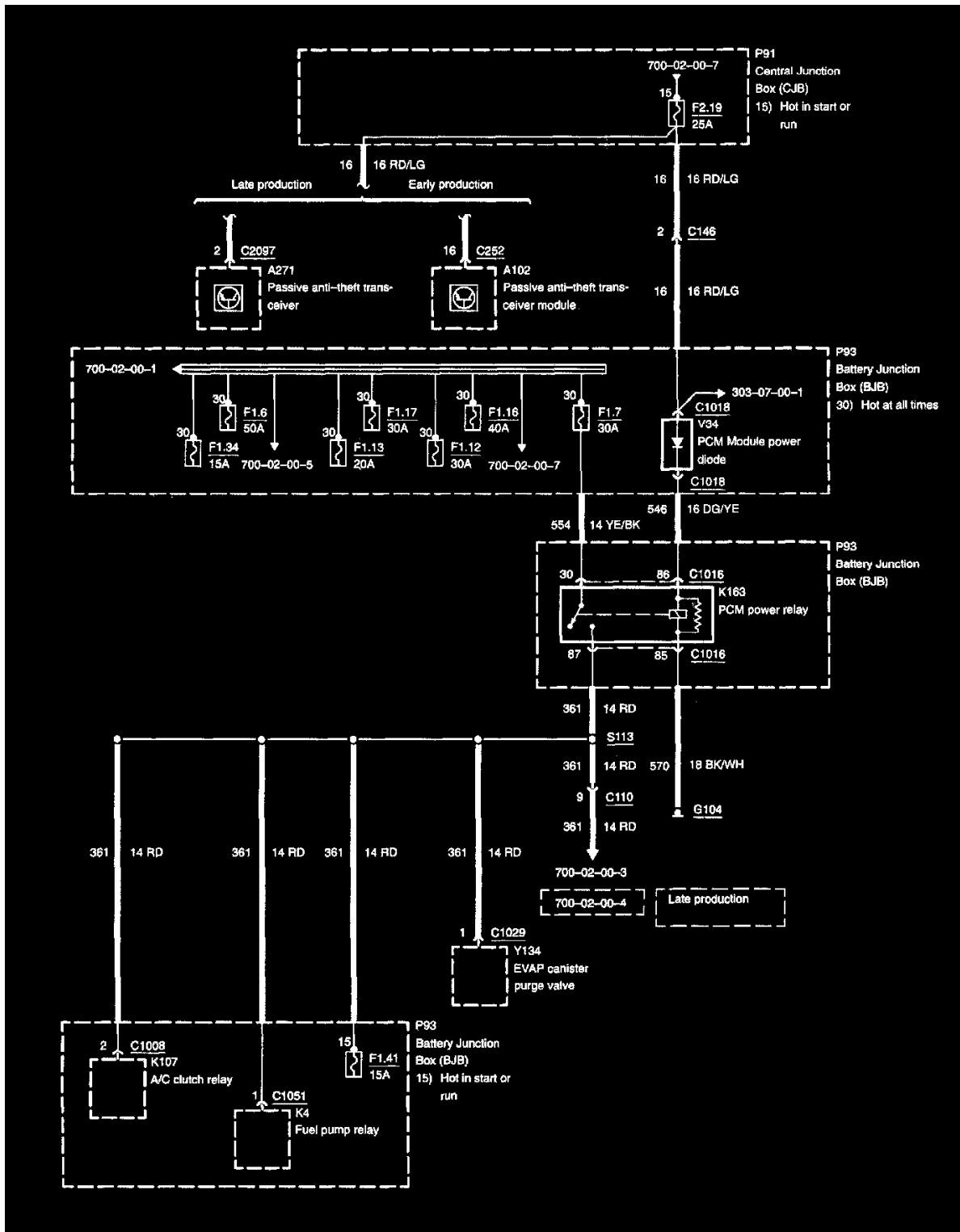


Diagram 700-02-00-2

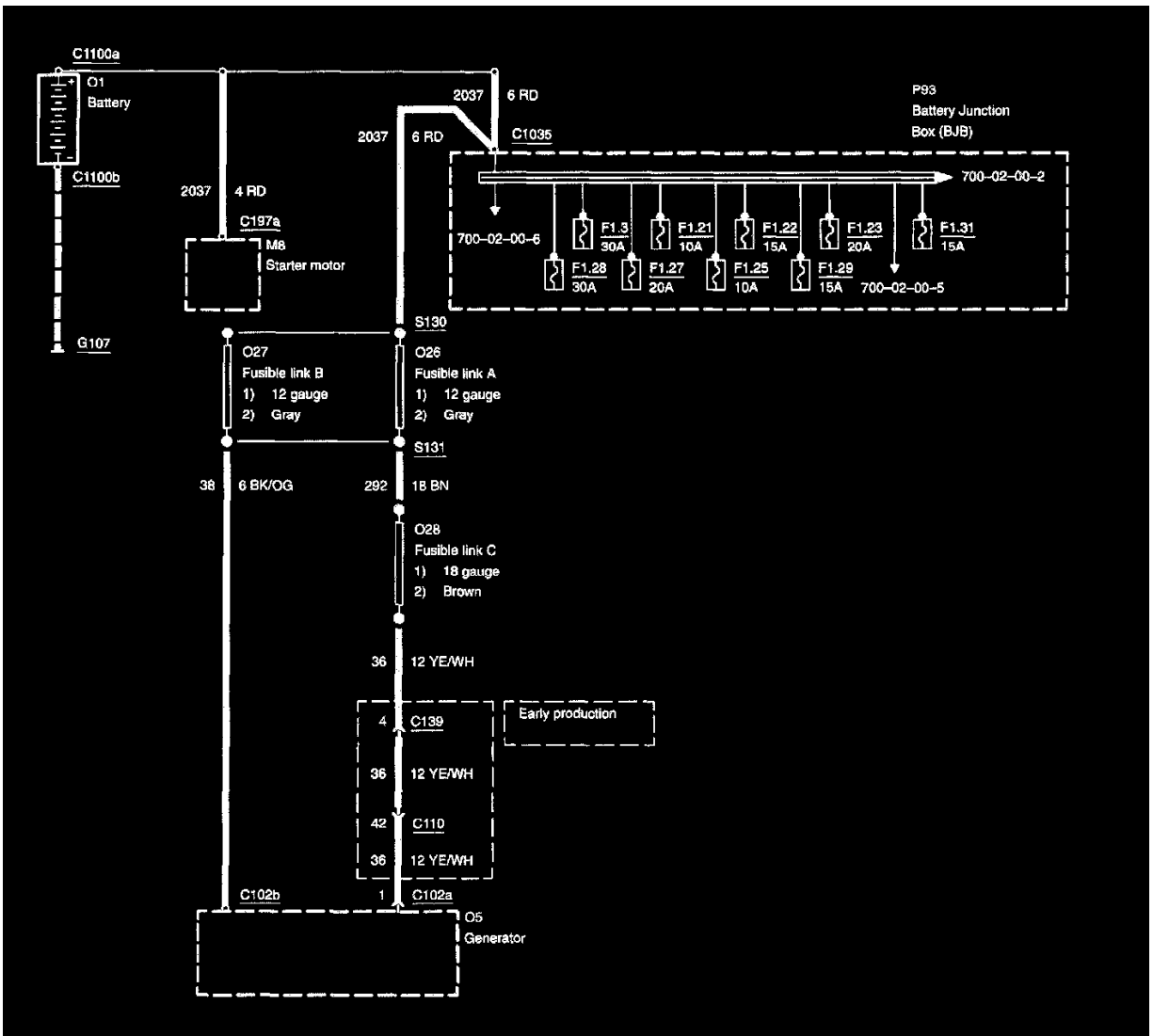


Diagram 700-02-00-1

F 2.15

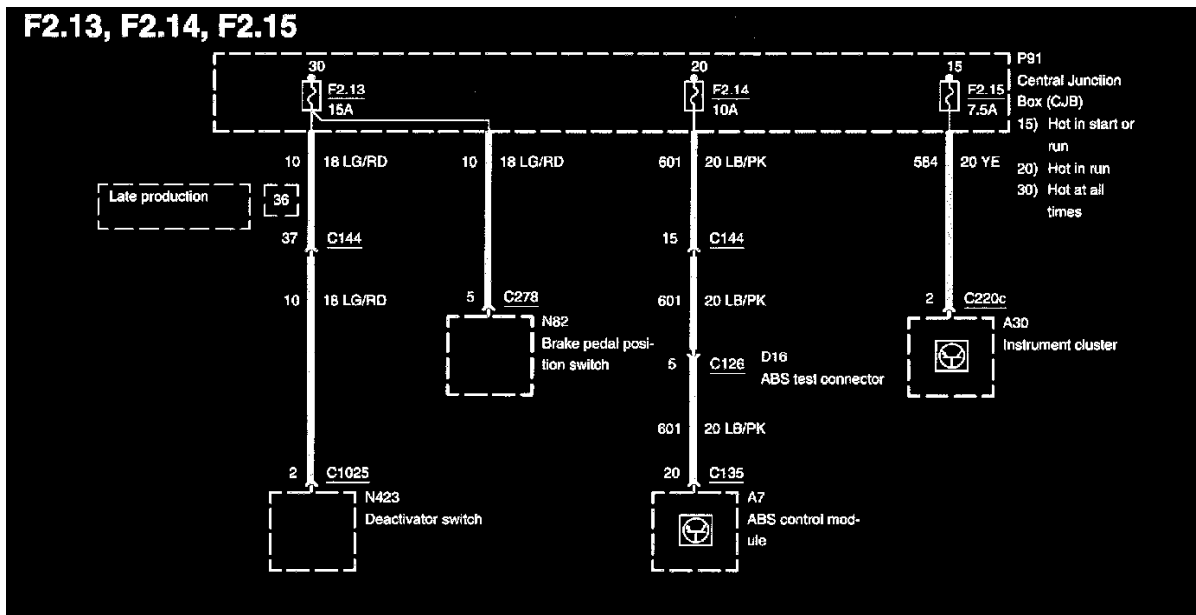


Diagram 700-03-00-16

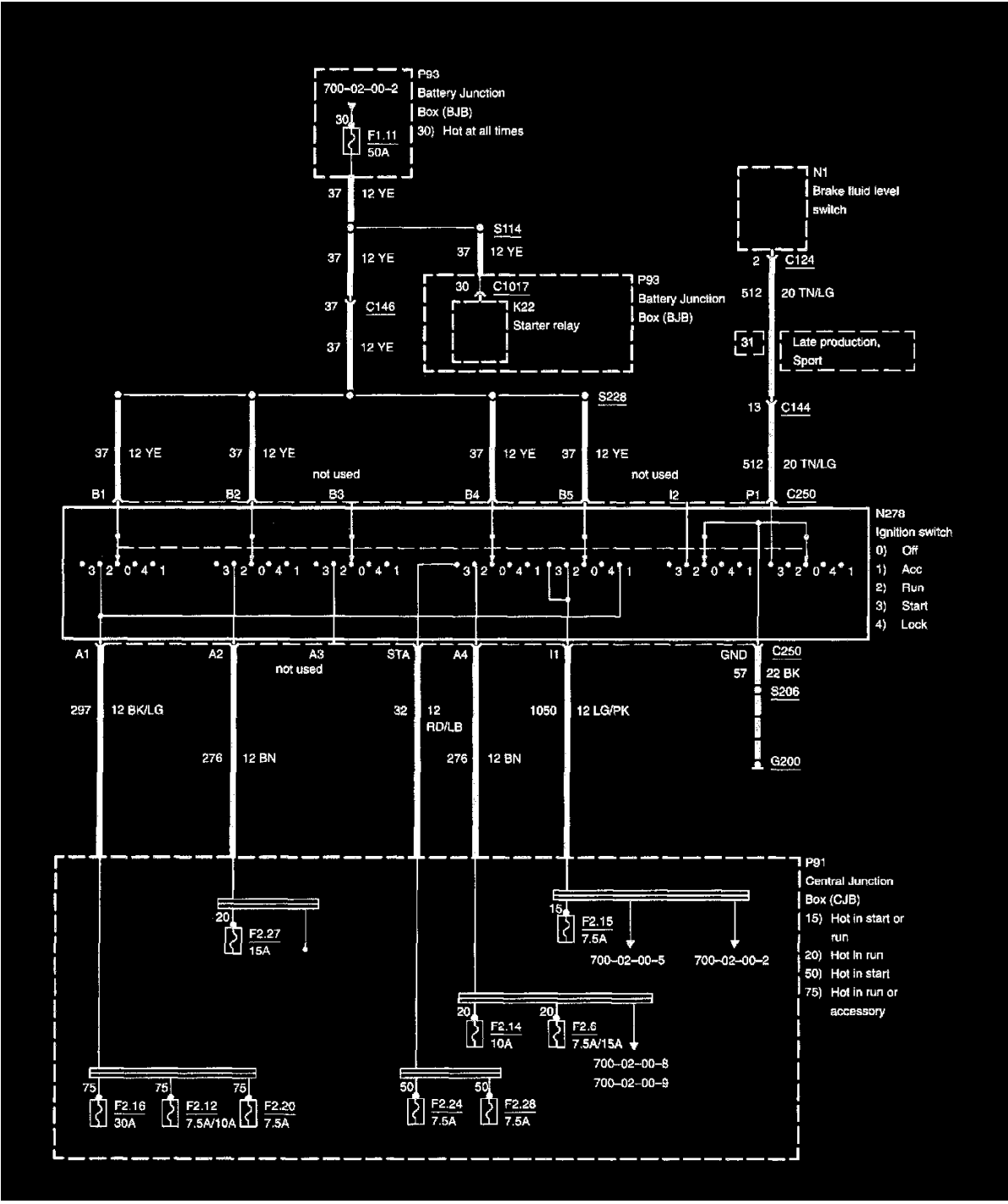


Diagram 700-02-00-7

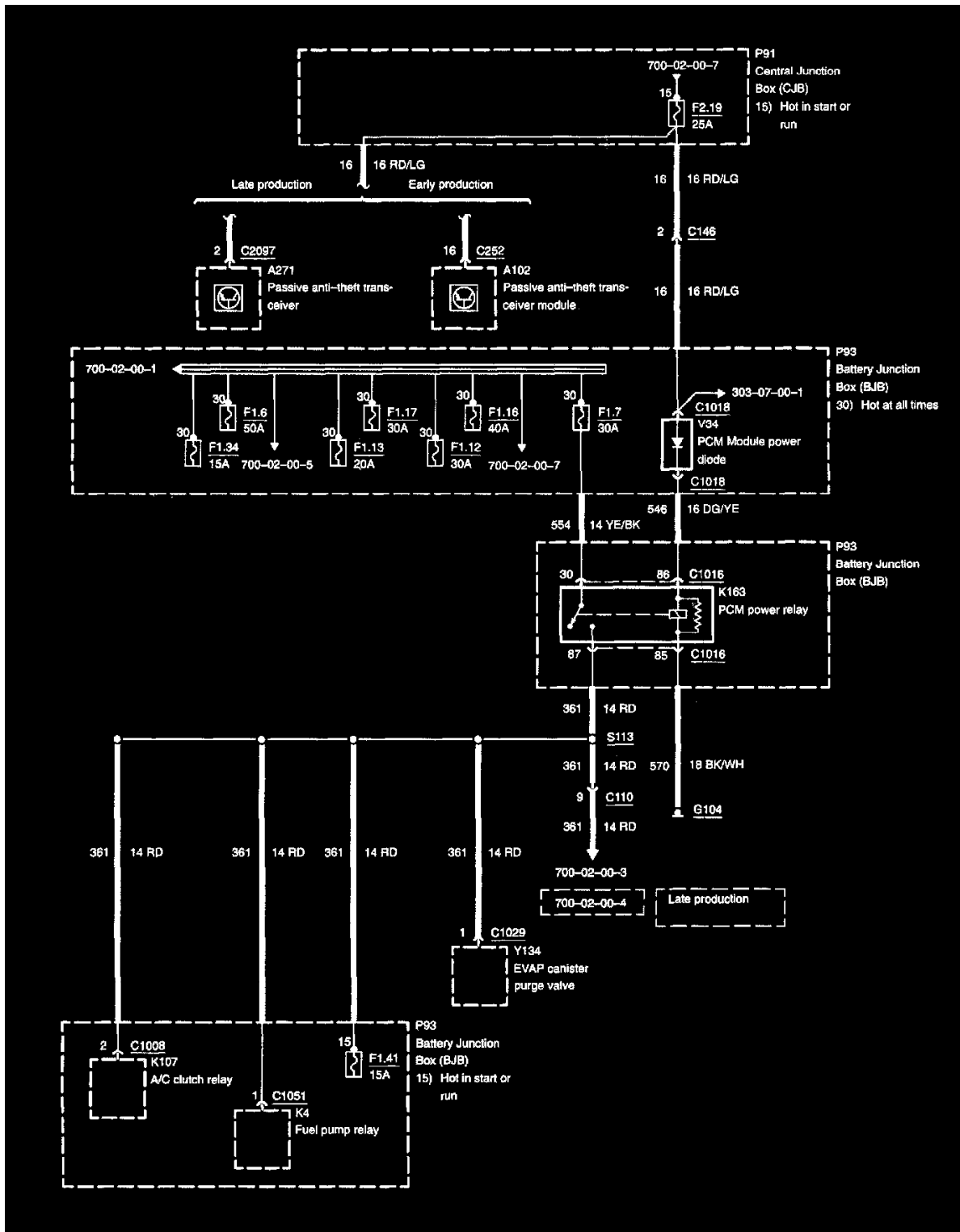


Diagram 700-02-00-2

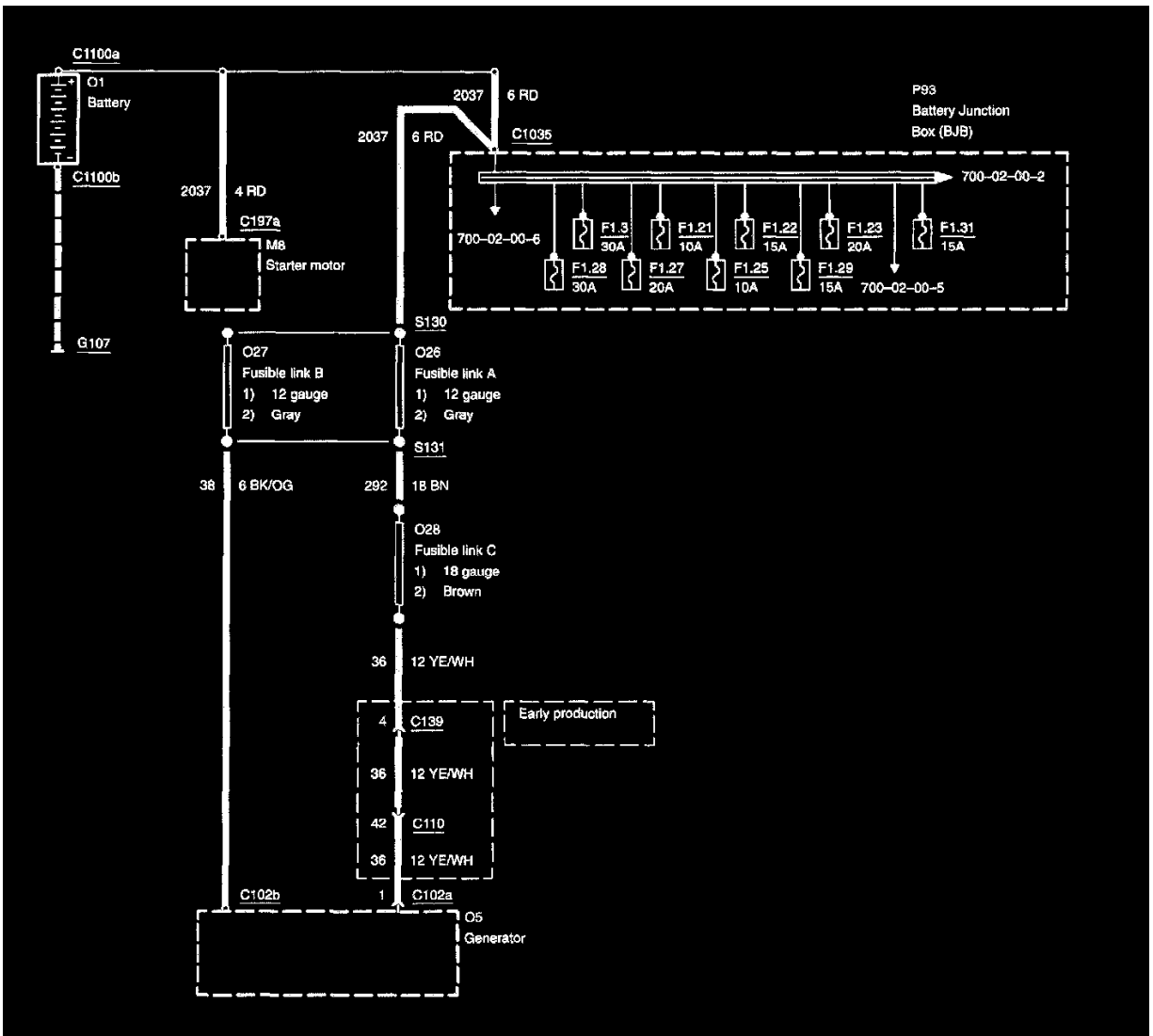


Diagram 700-02-00-1

F 2.16

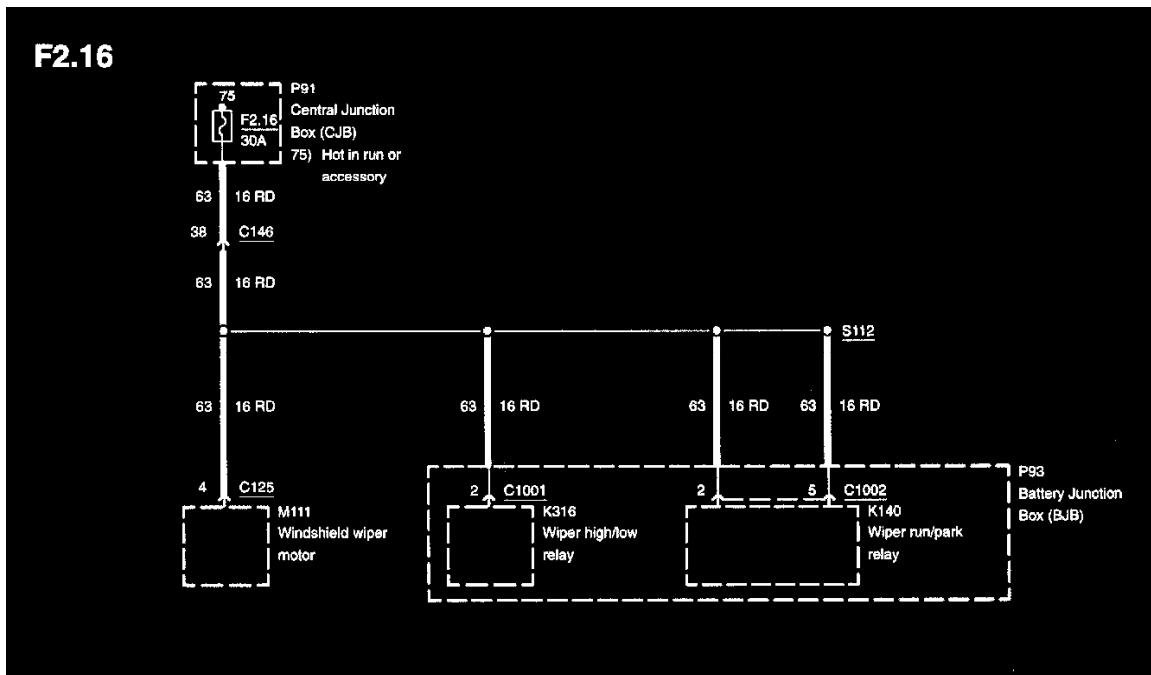


Diagram 700-03-00-17

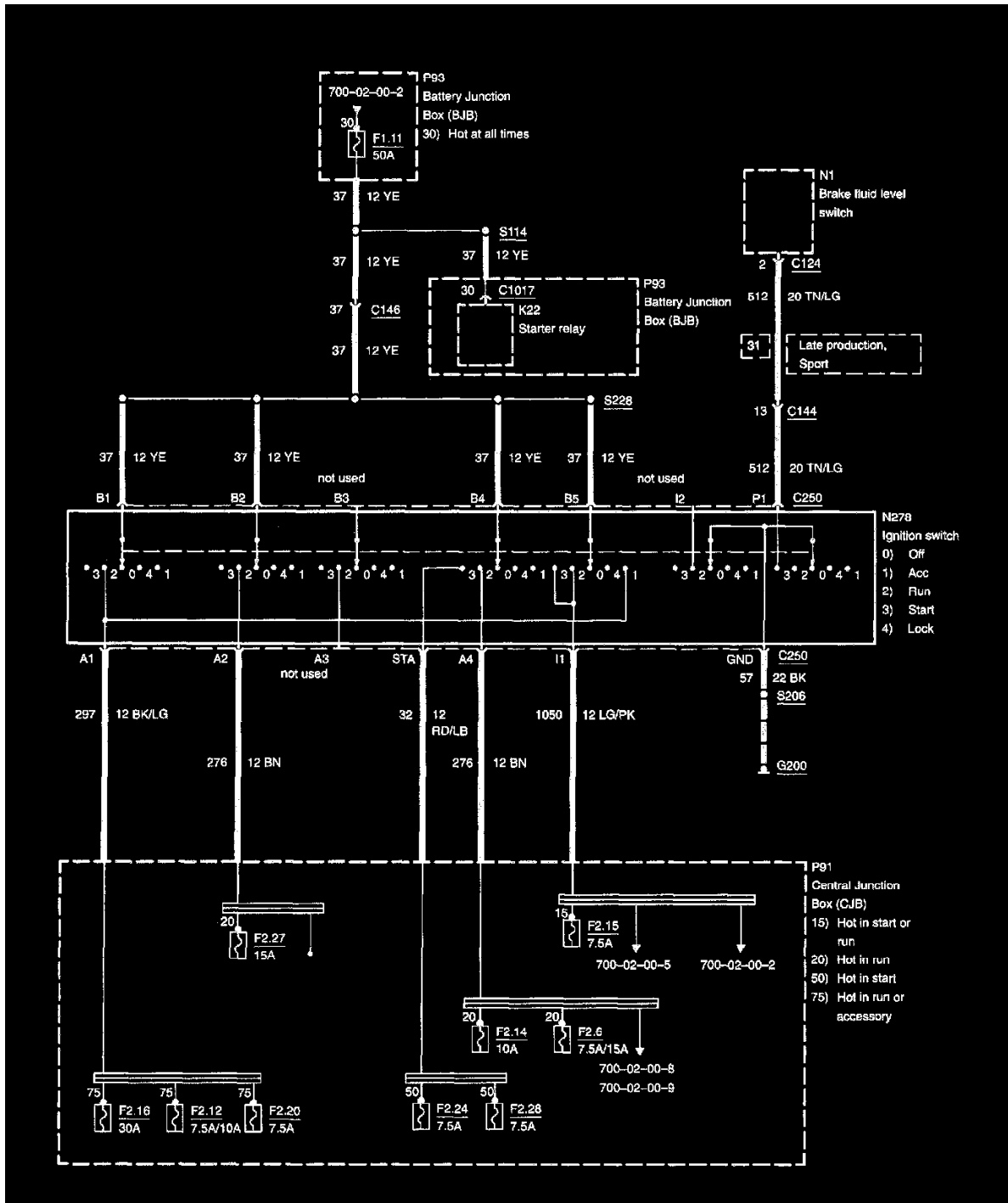


Diagram 700-02-00-7

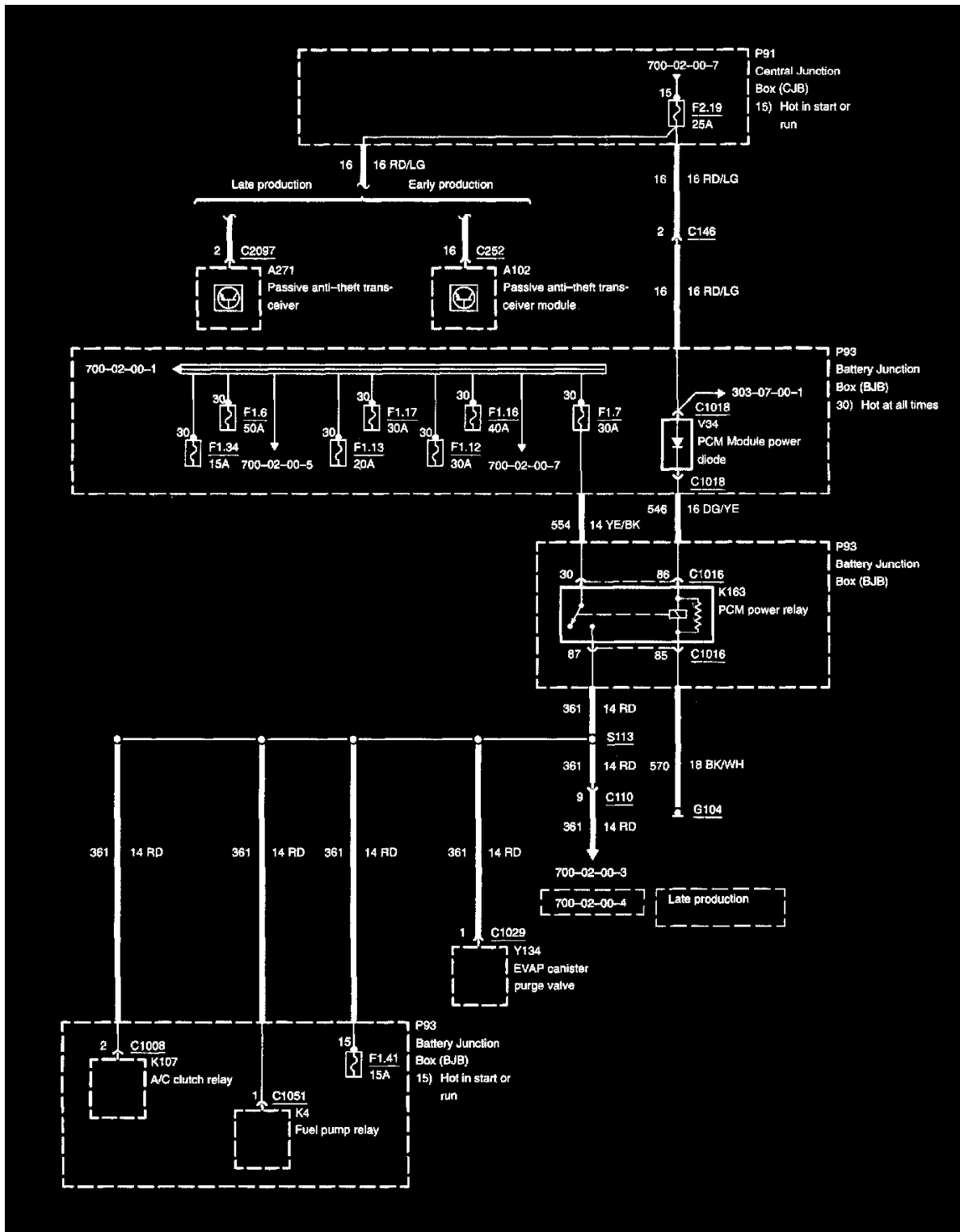


Diagram 700-02-00-2

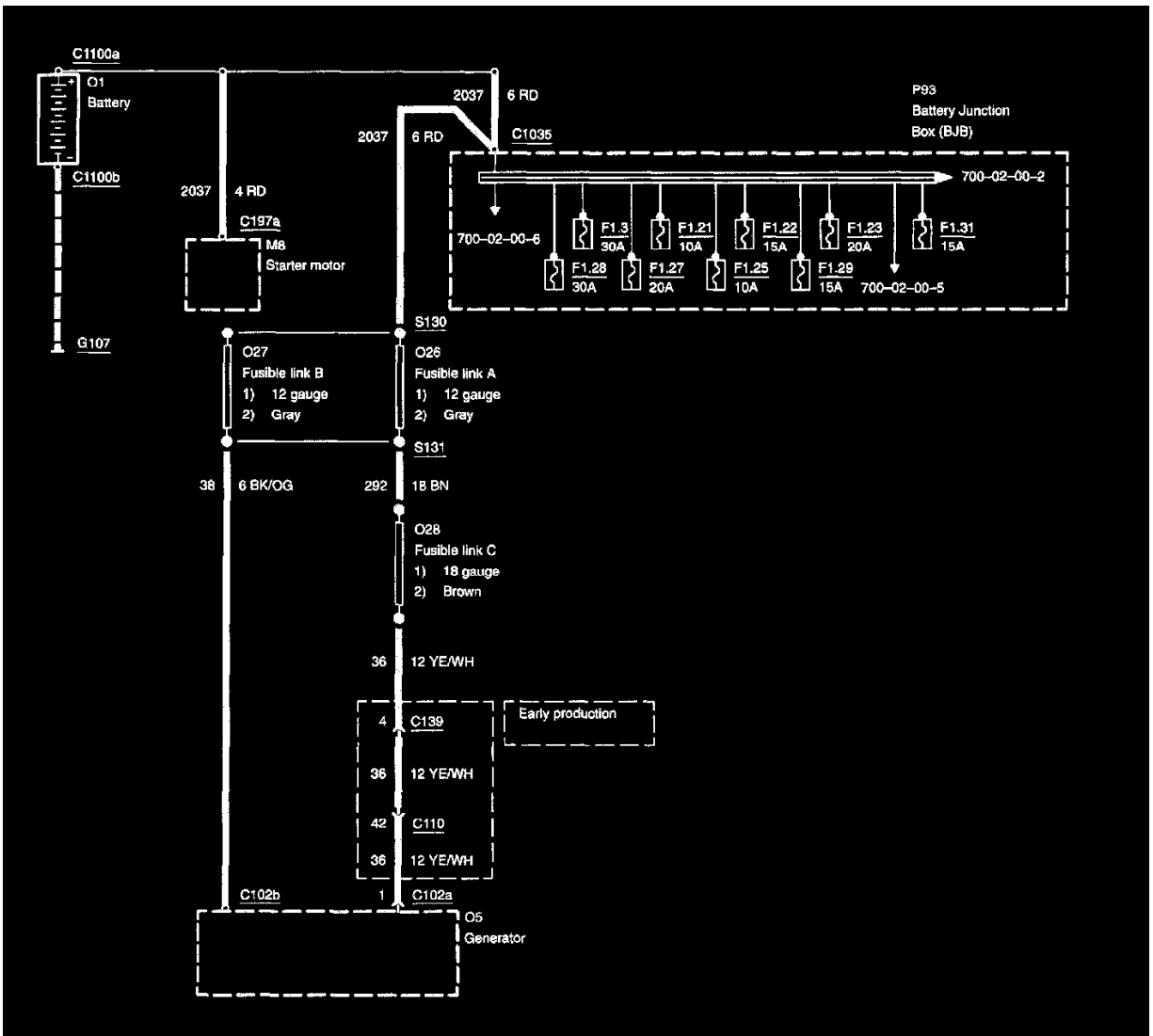


Diagram 700-02-00-1

F 2.17

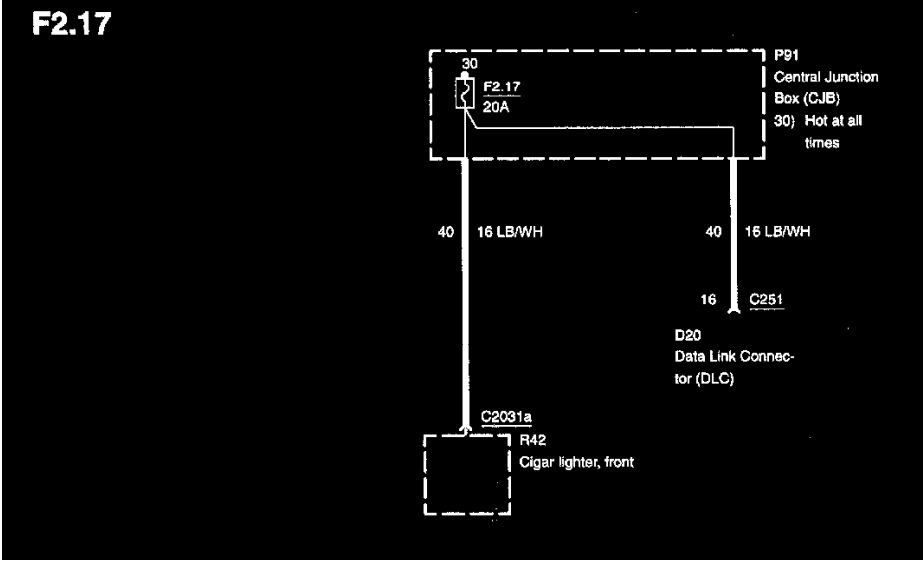


Diagram 700-03-00-18

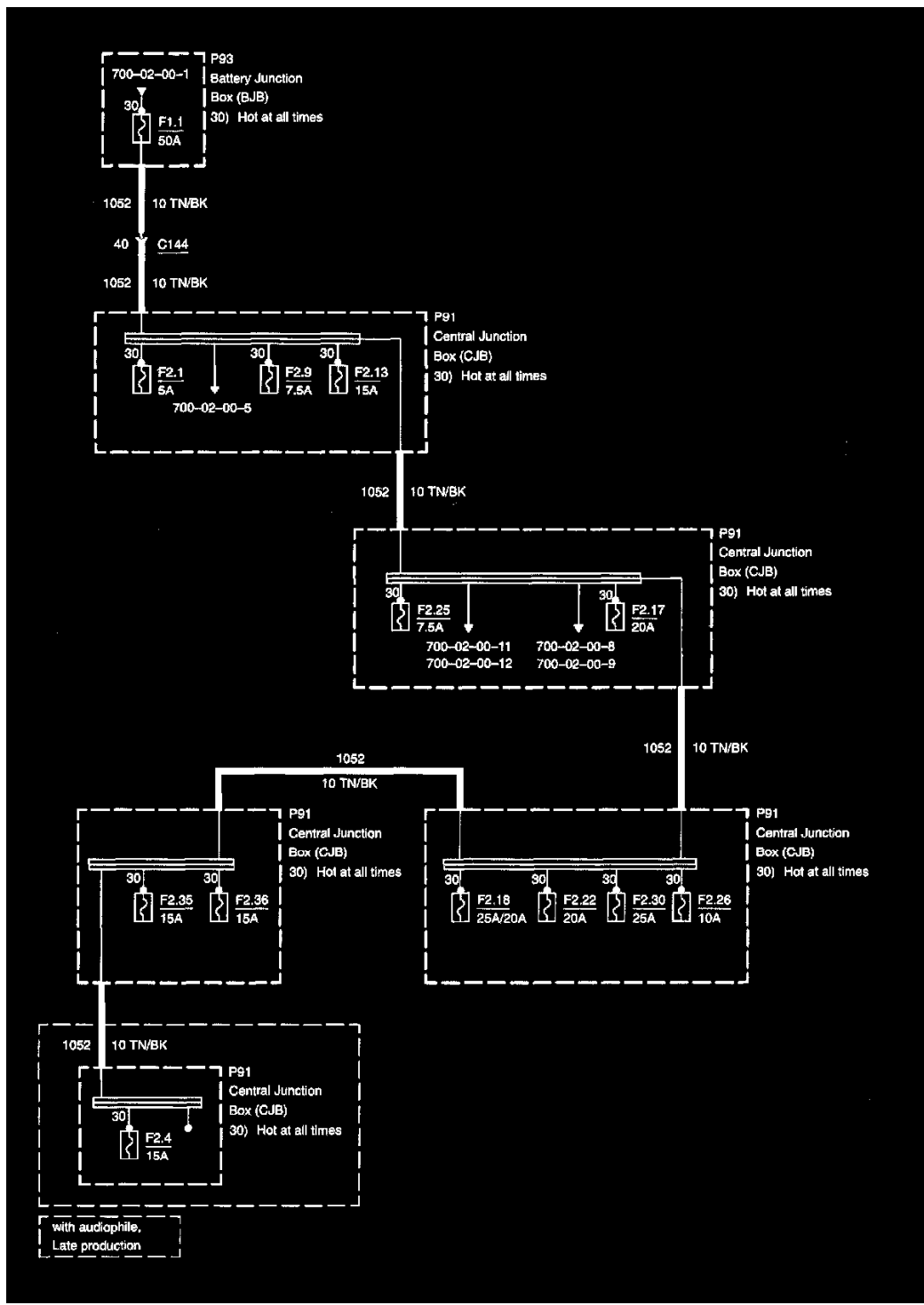


Diagram 700-02-00-6

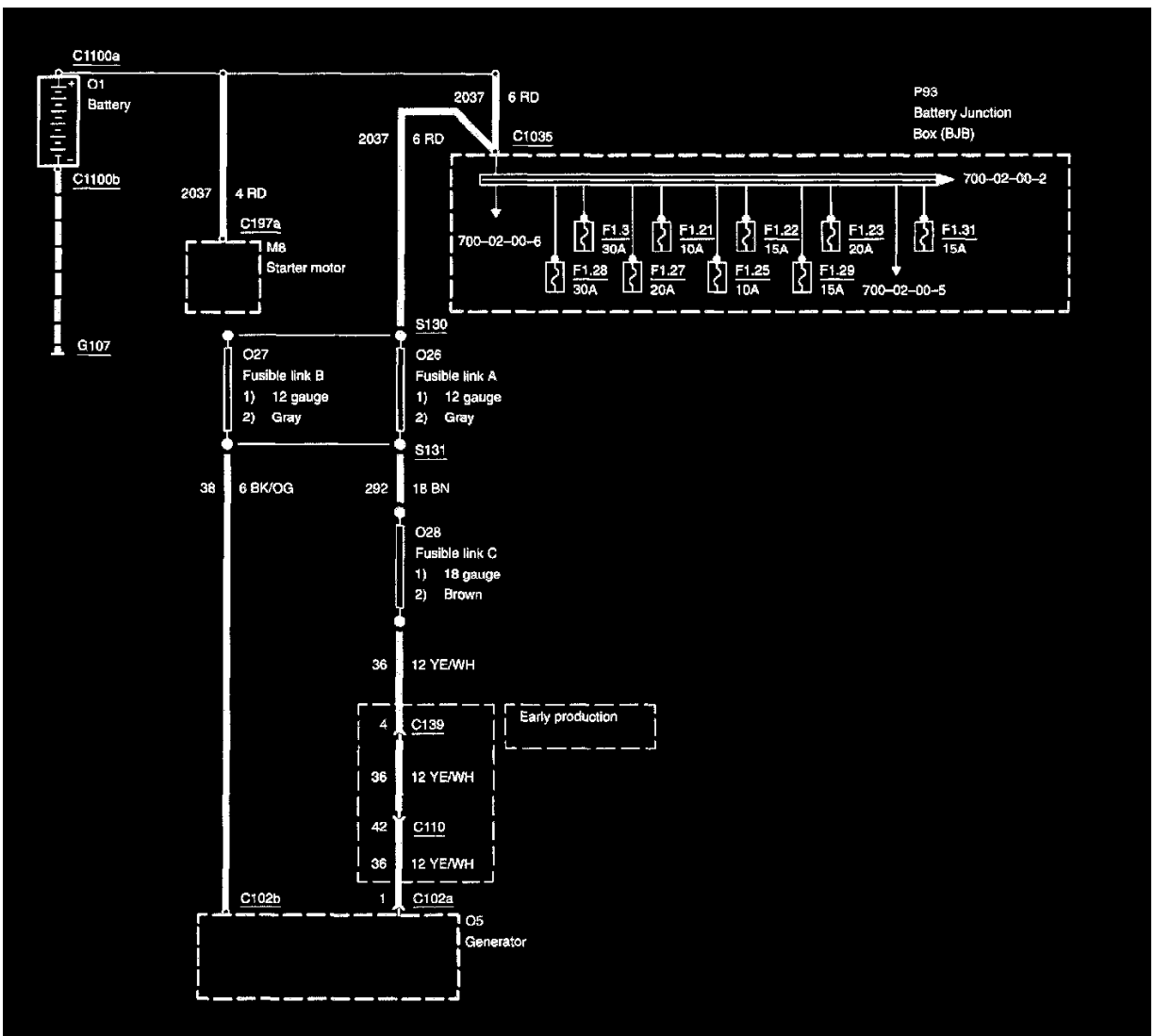


Diagram 700-02-00-1

F 2.18

F2.18, Sport, Early production

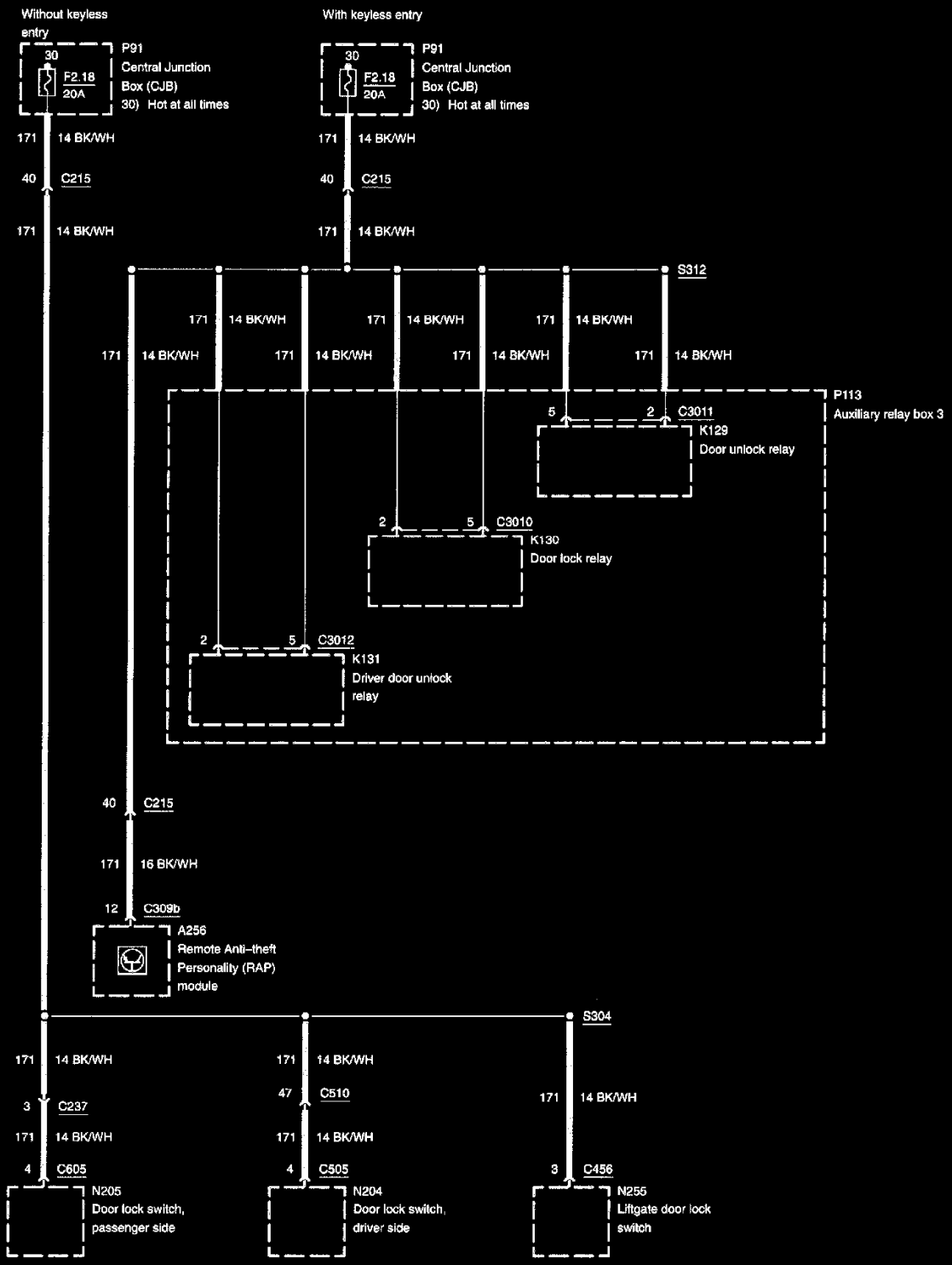


Diagram 700-03-00-19

F2.18, Sport Trac, Early production

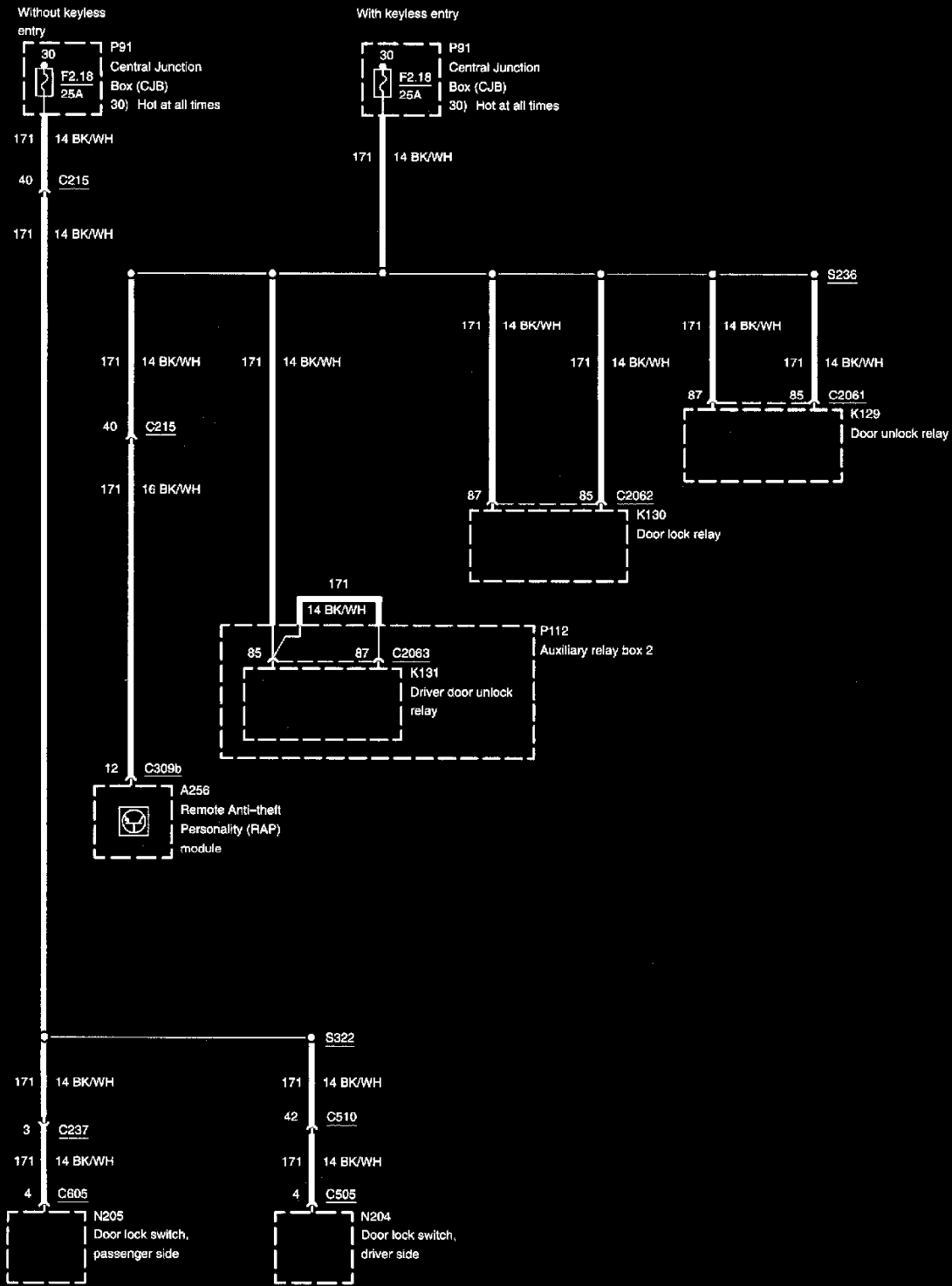


Diagram 700-03-00-20

F2.18, Sport, Late production

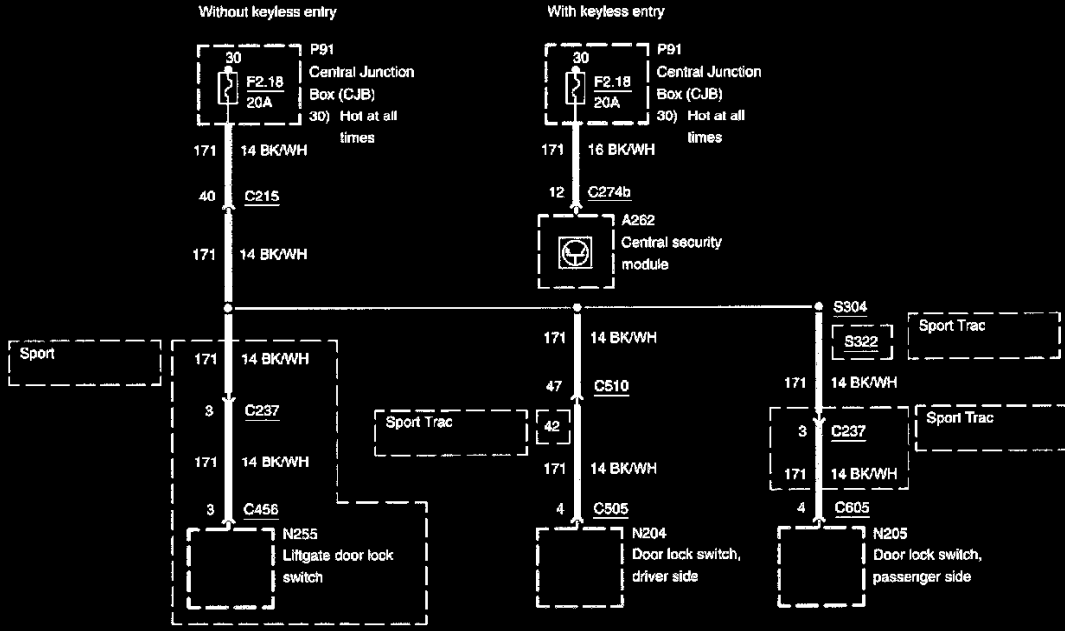


Diagram 700-03-00-21

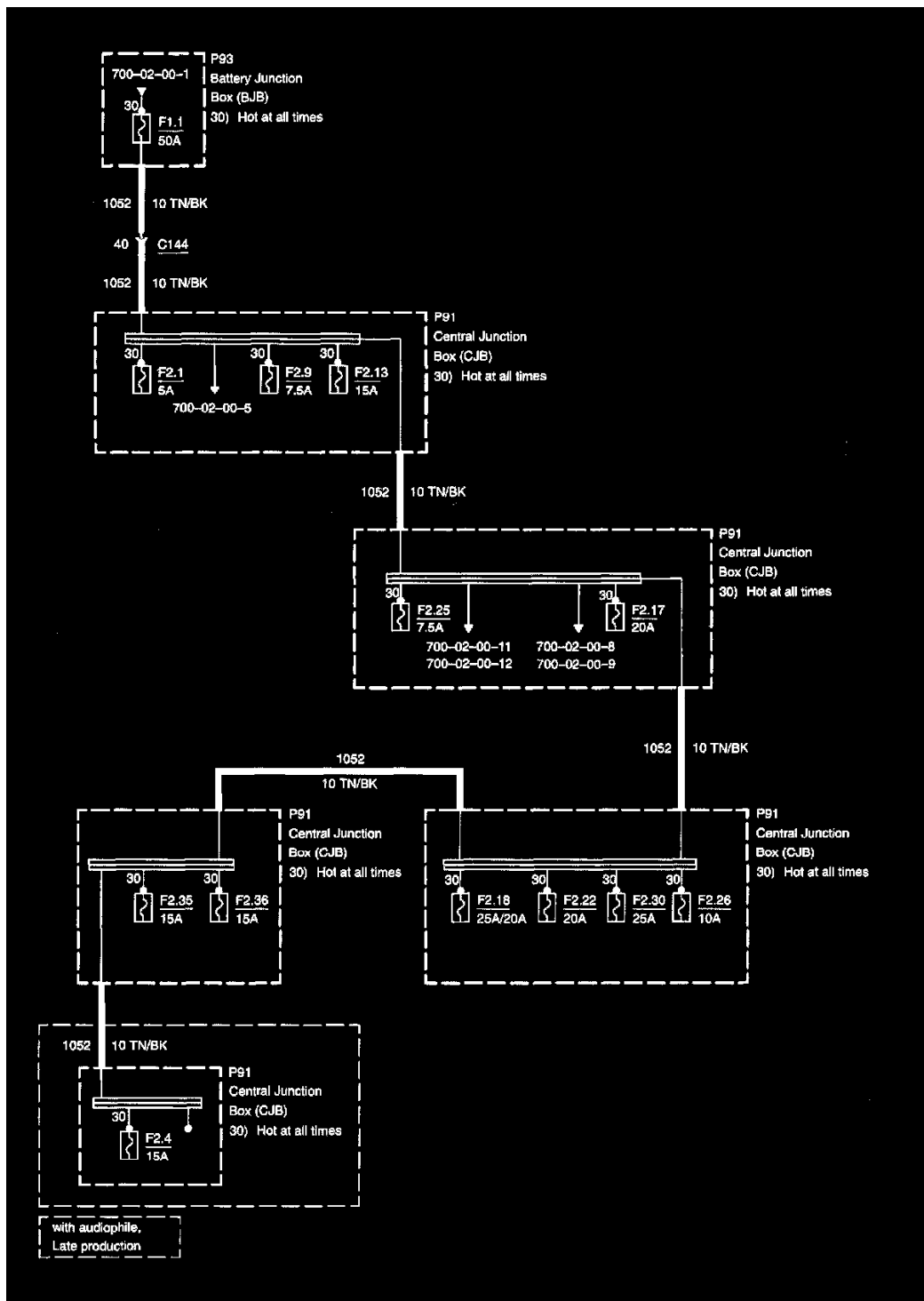


Diagram 700-02-00-6

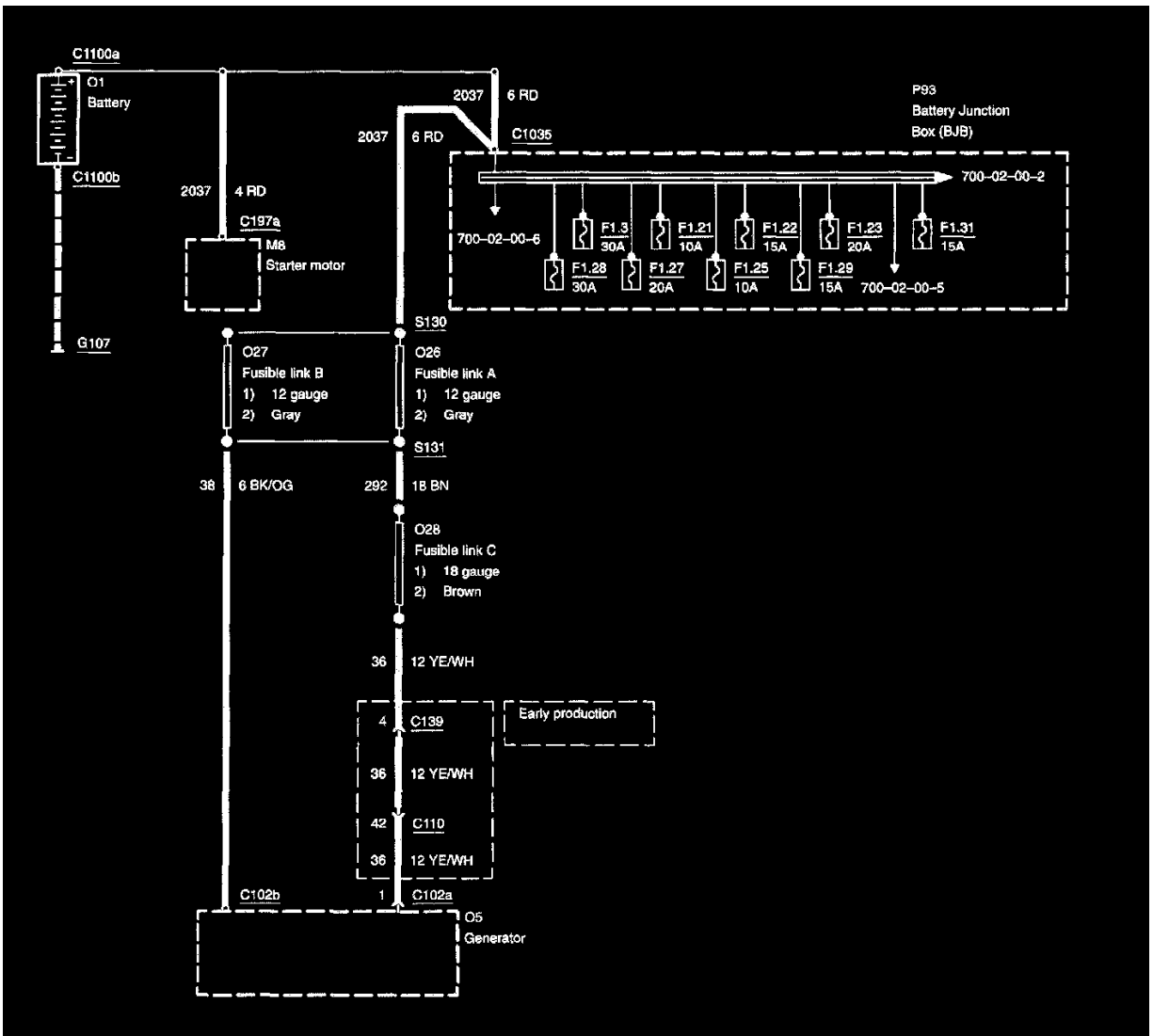


Diagram 700-02-00-1

F 2.20

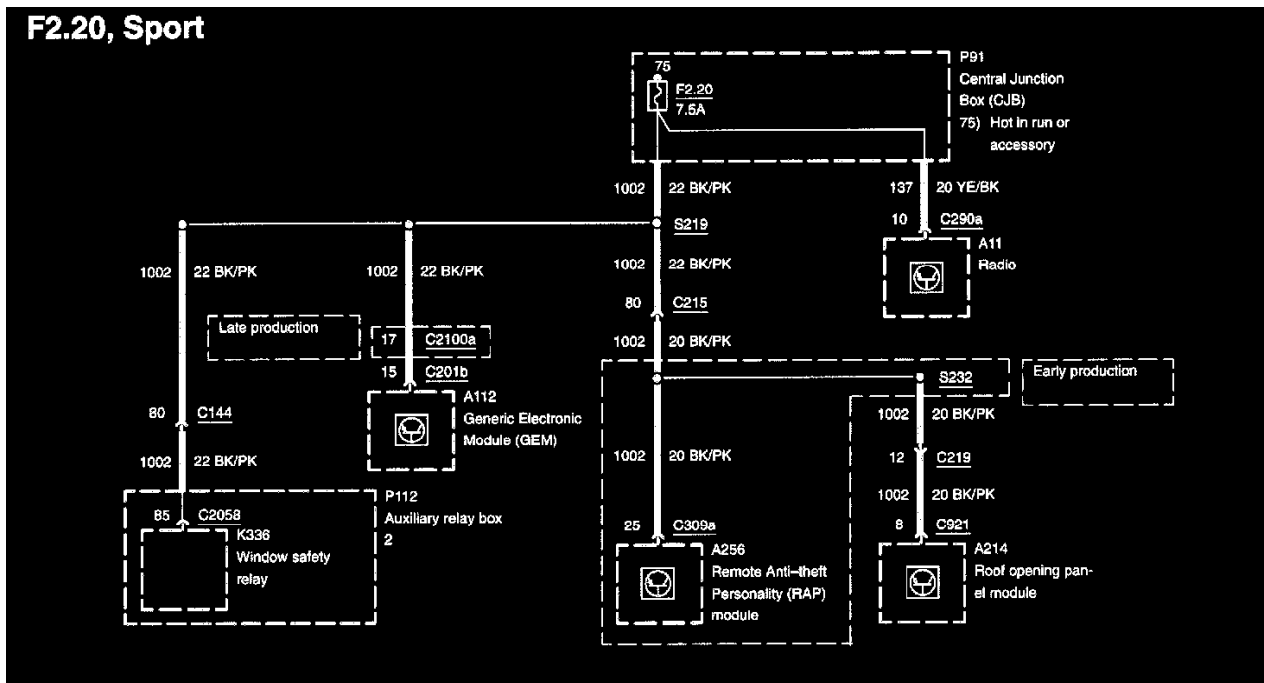


Diagram 700-03-00-22

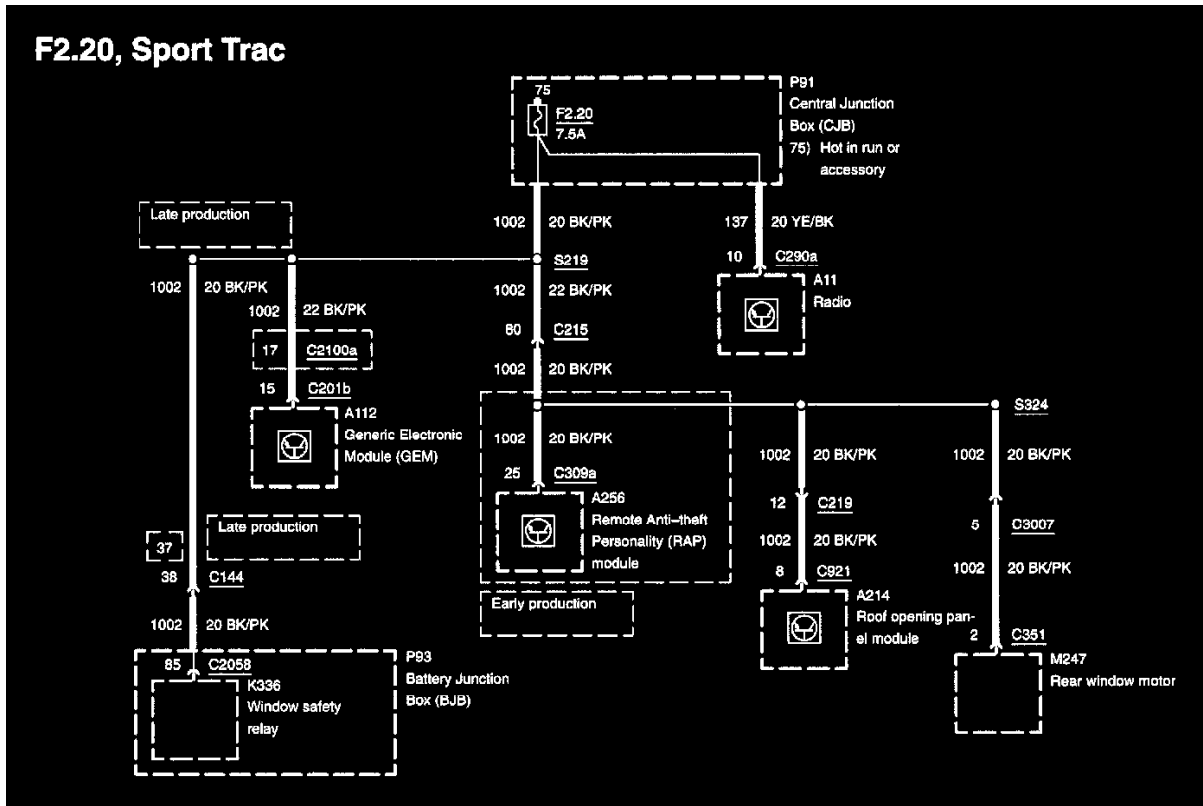


Diagram 700-03-00-23

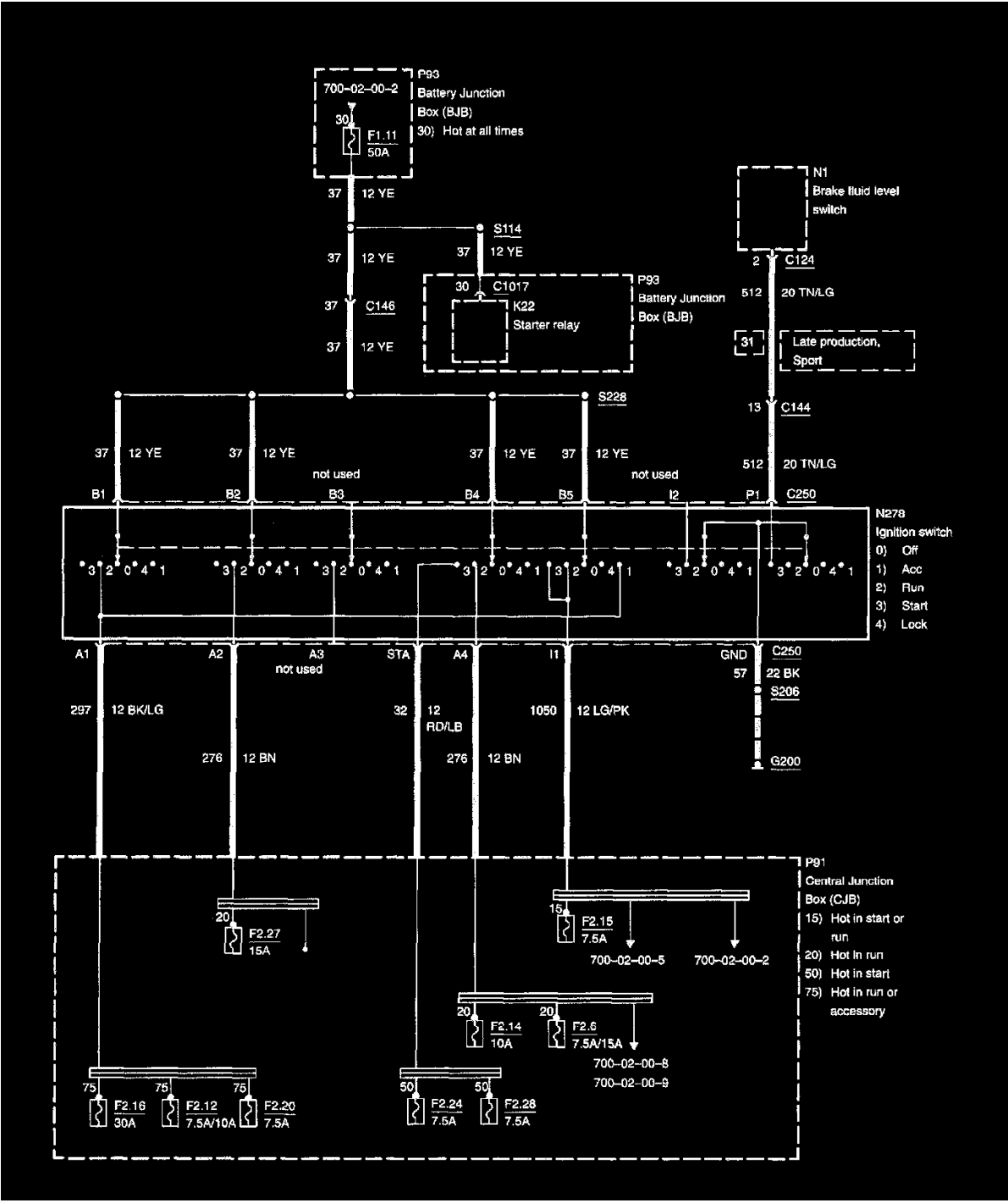


Diagram 700-02-00-7

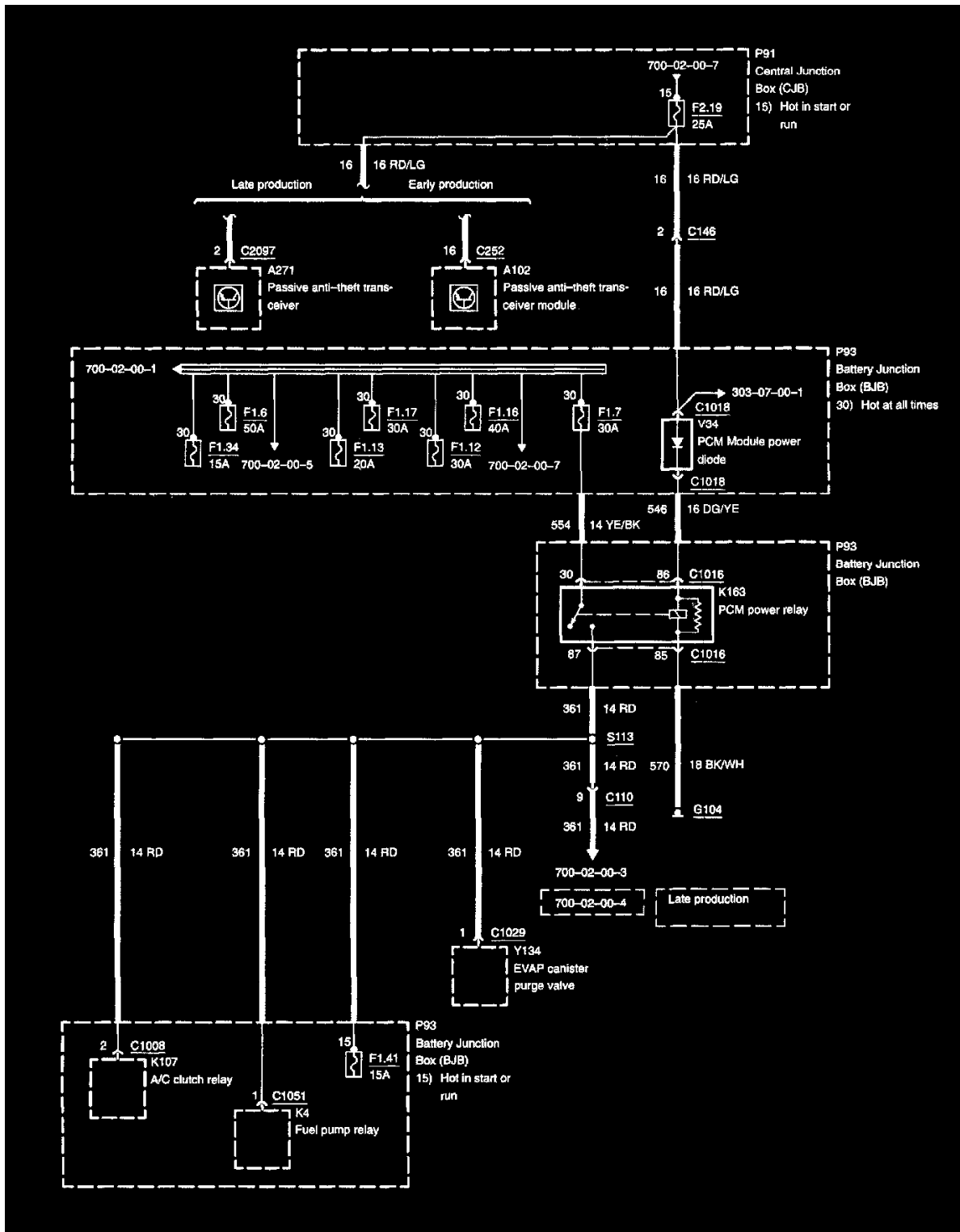


Diagram 700-02-00-2

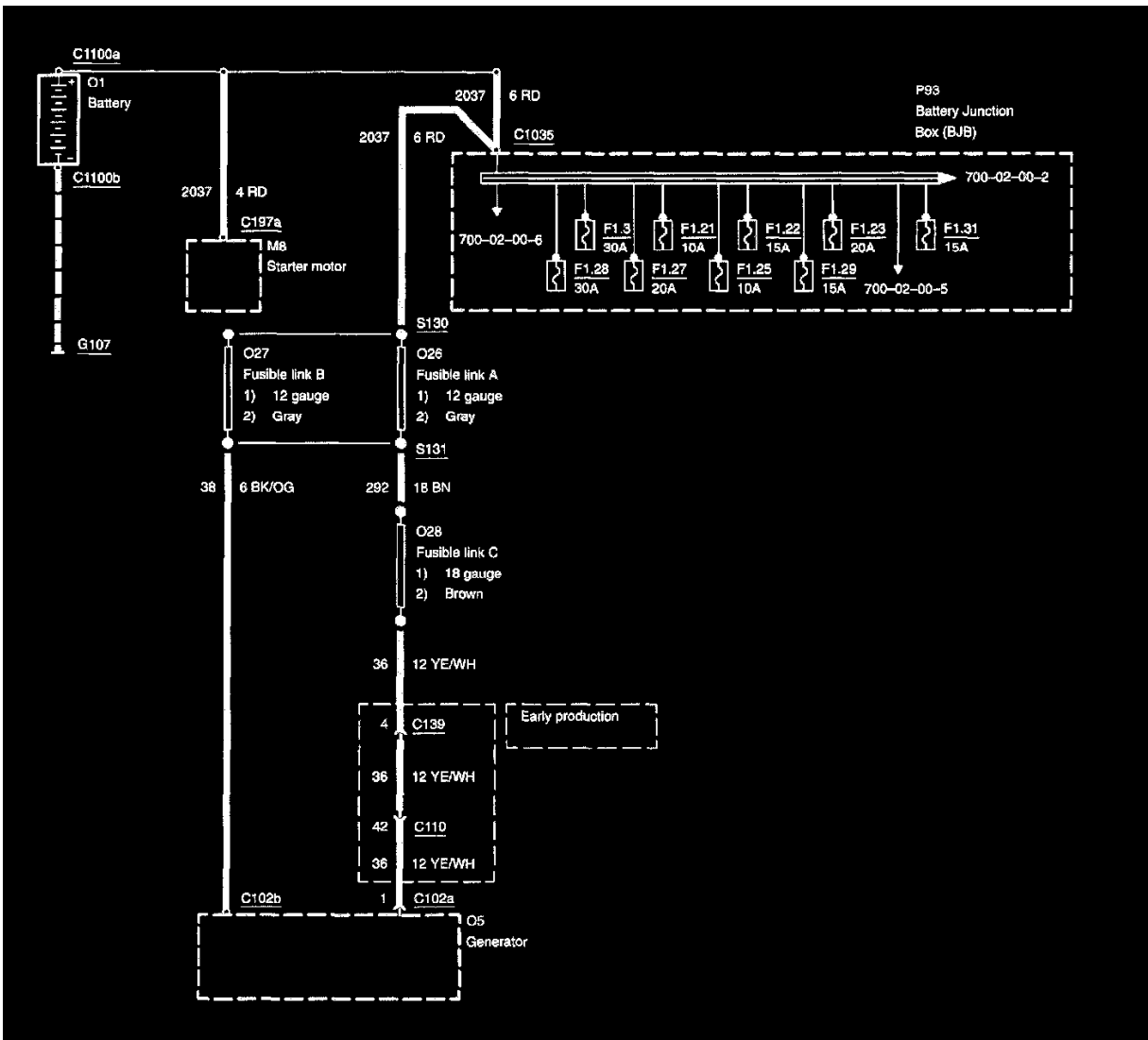


Diagram 700-02-00-1

F 2.22

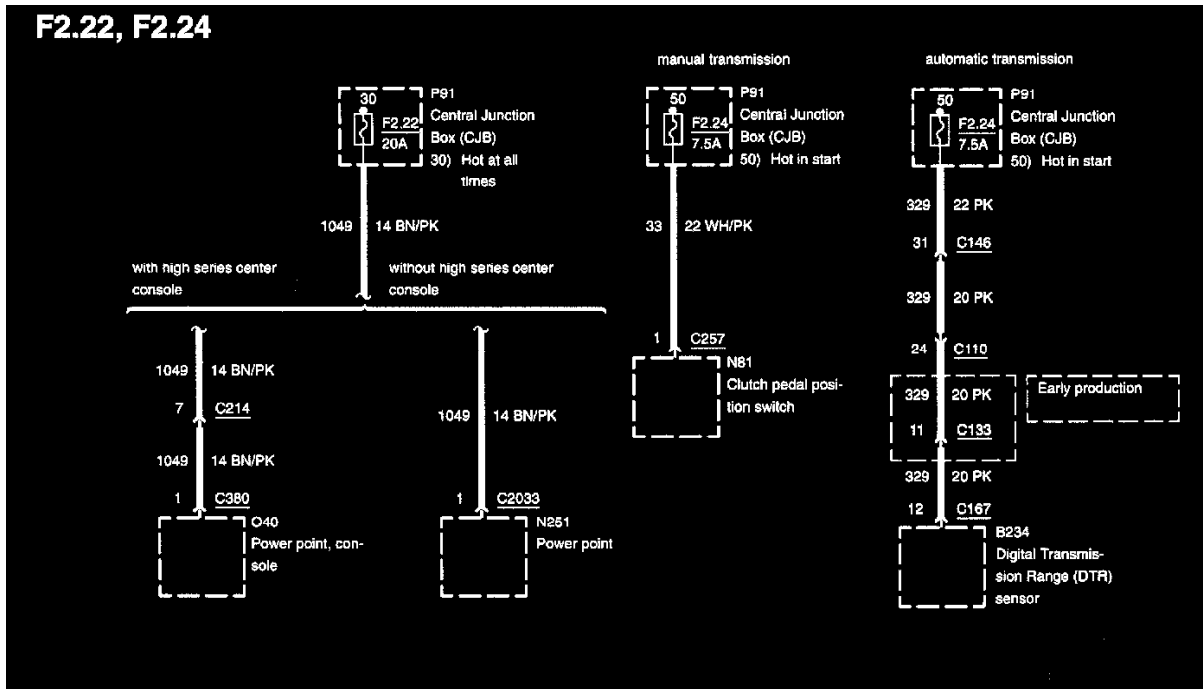


Diagram 700-03-00-24

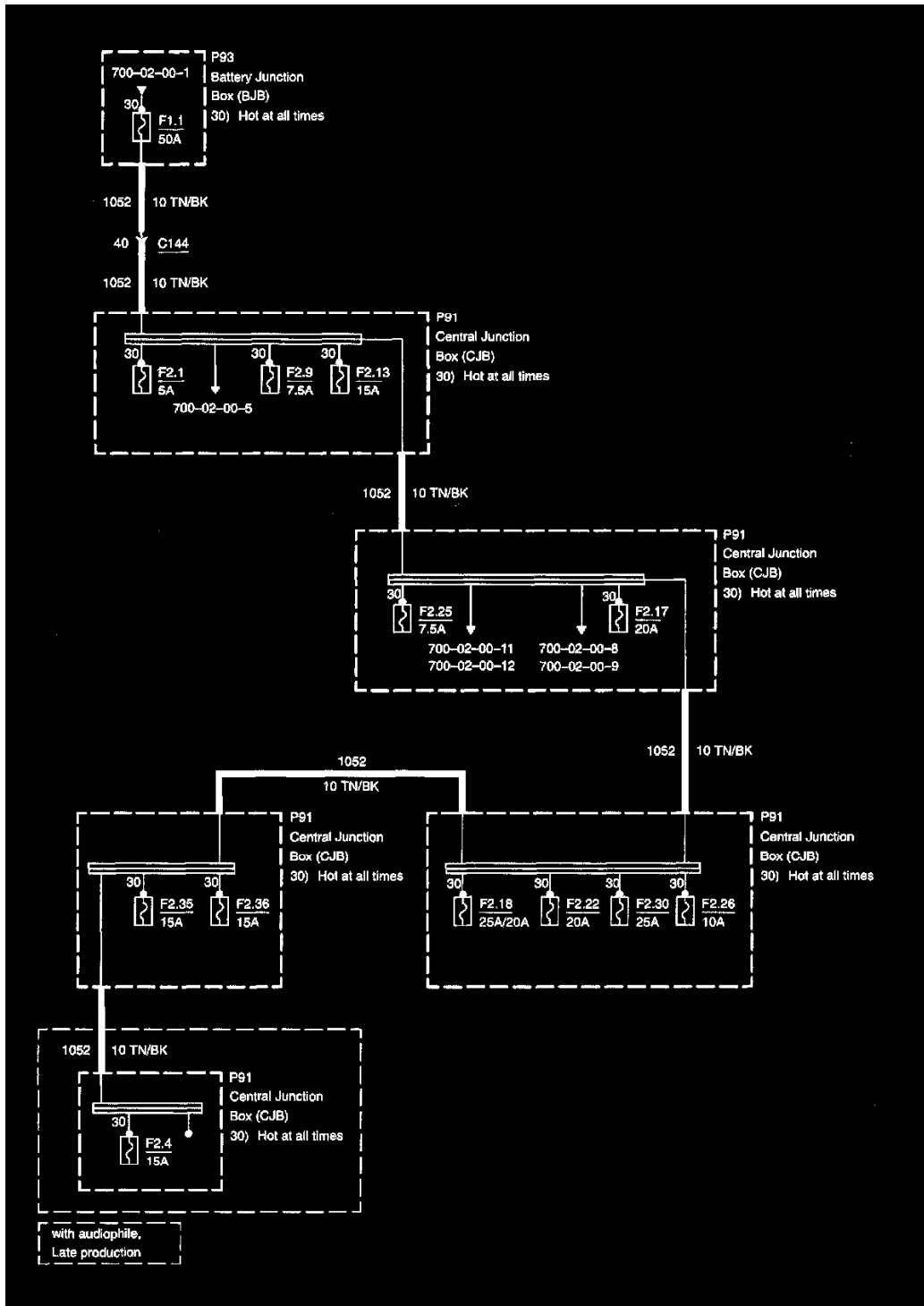


Diagram 700-02-00-6

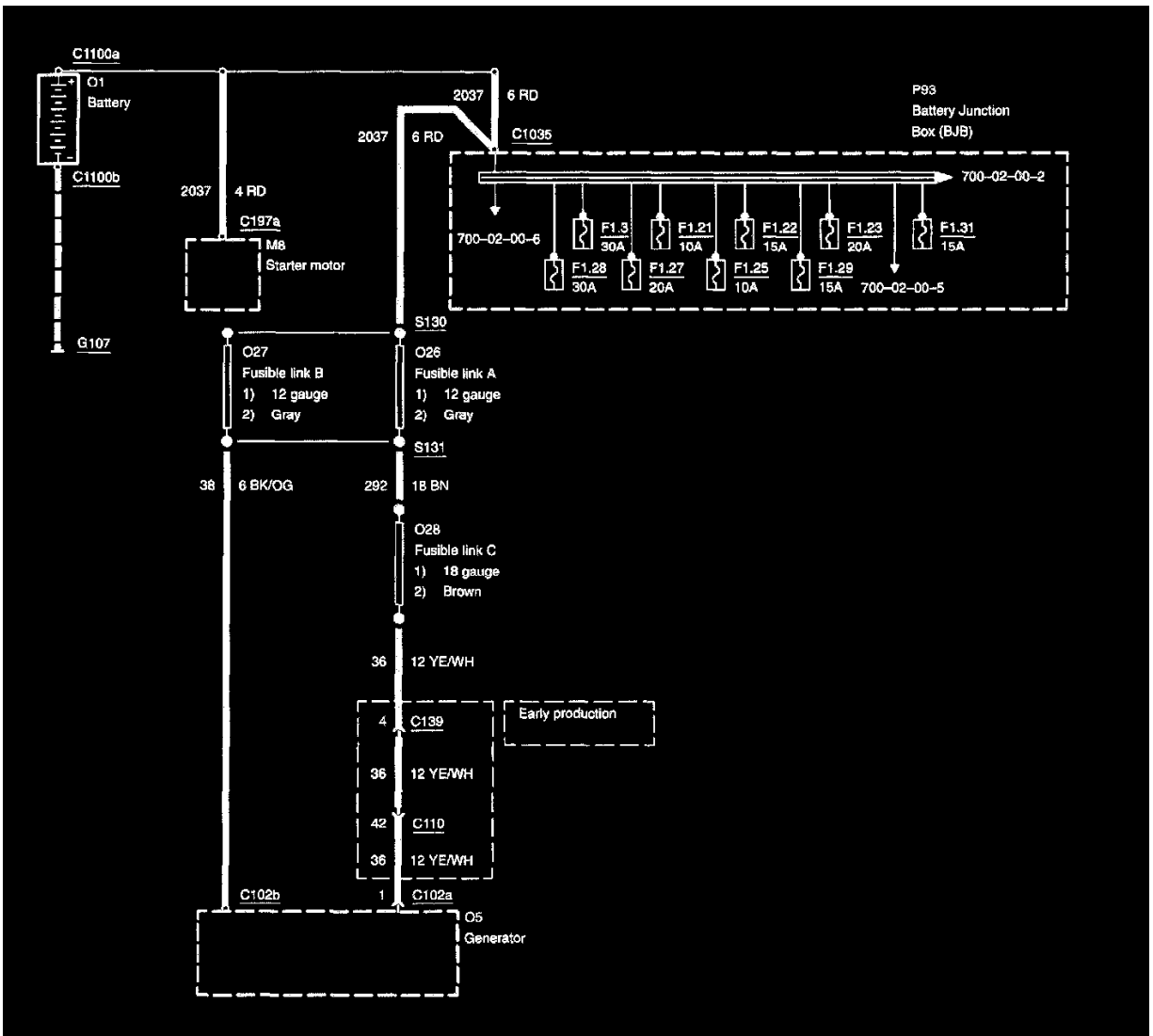
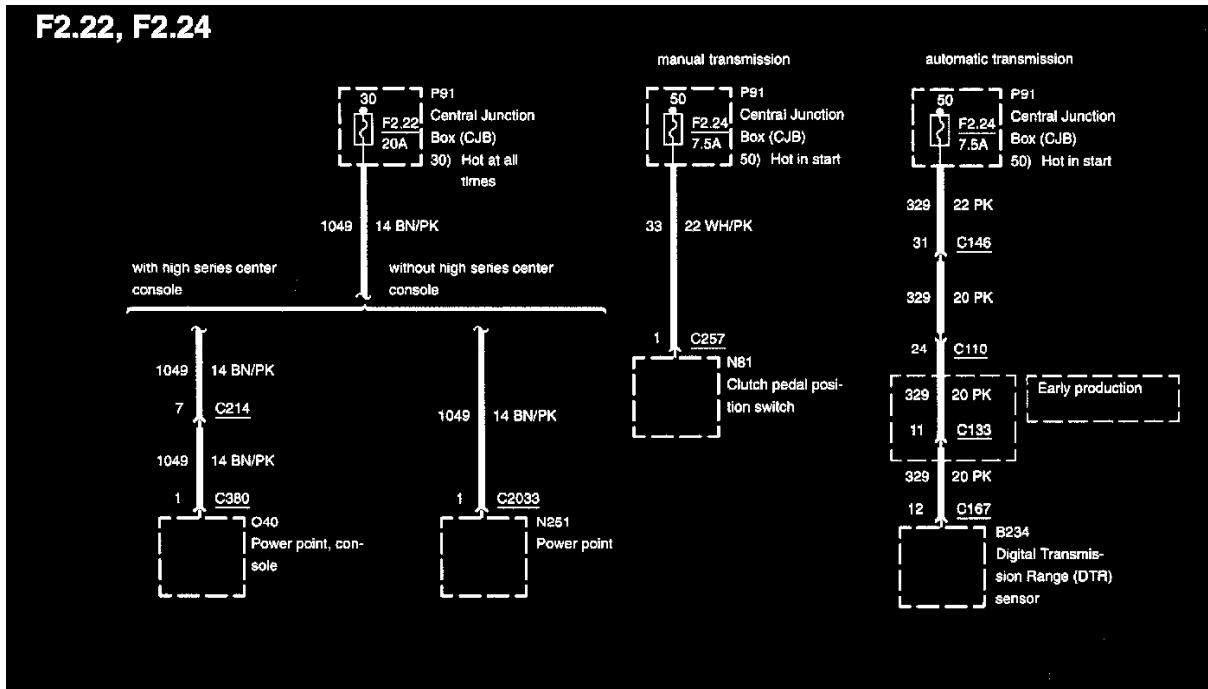


Diagram 700-02-00-1

F 2.24



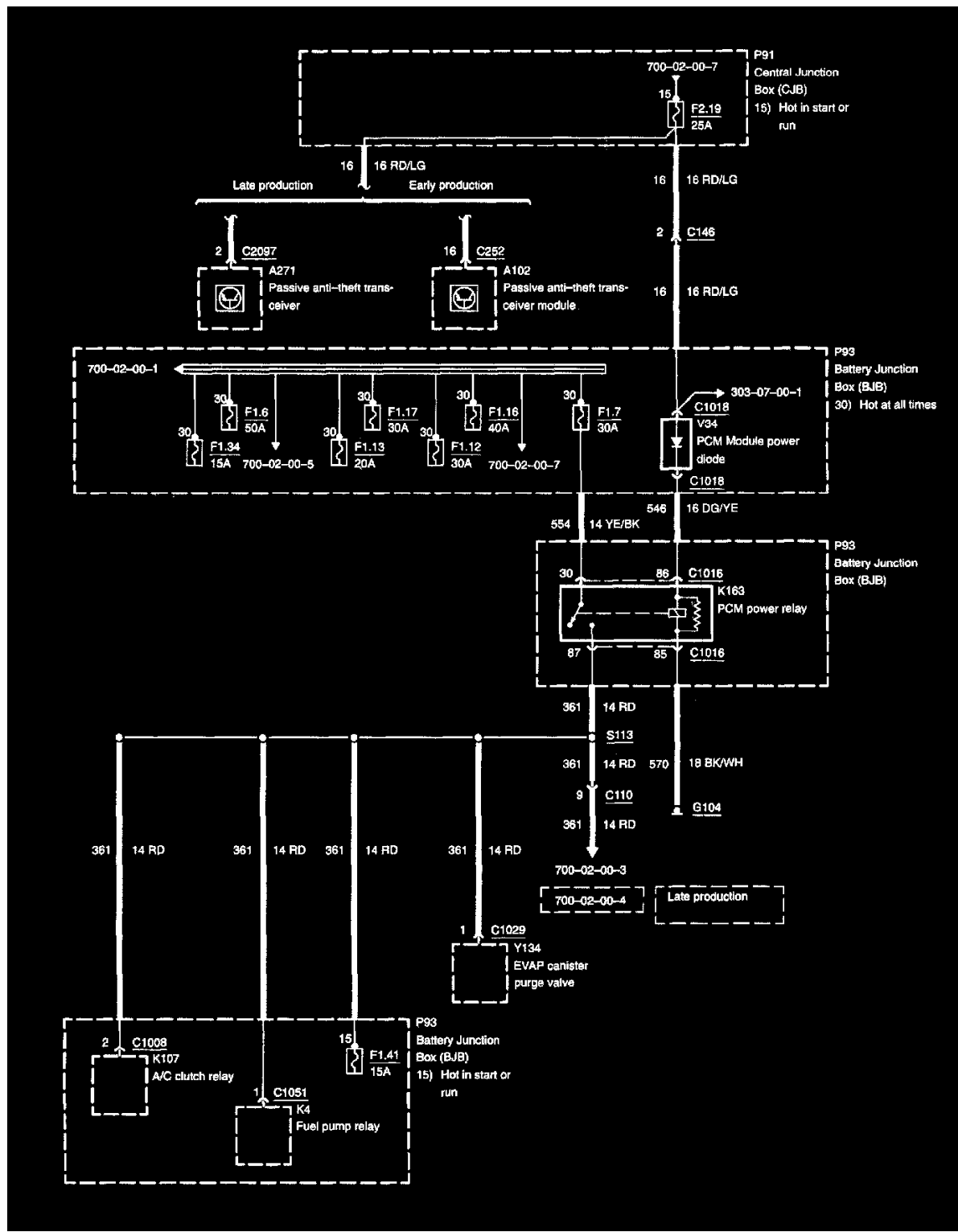


Diagram 700-02-00-2

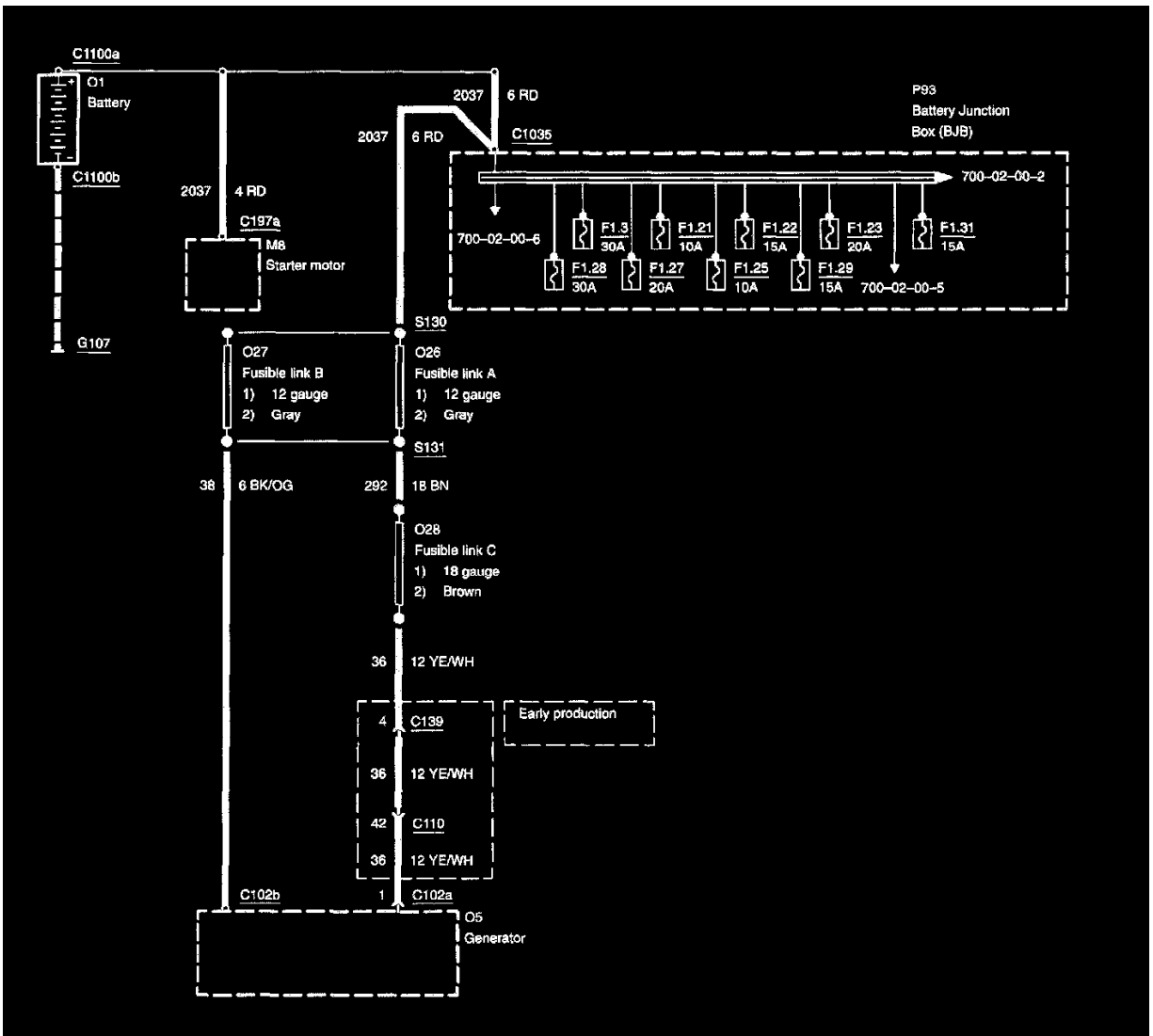


Diagram 700-02-00-1

F 2.25

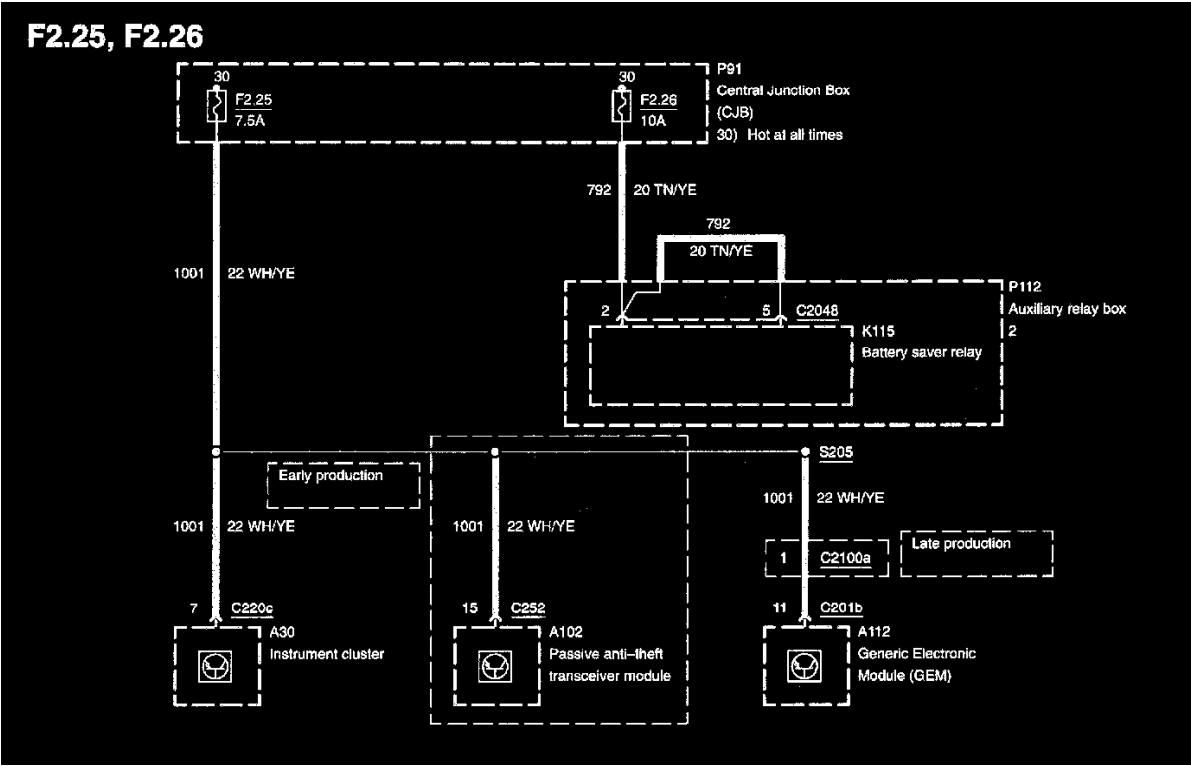


Diagram 700-03-00-25

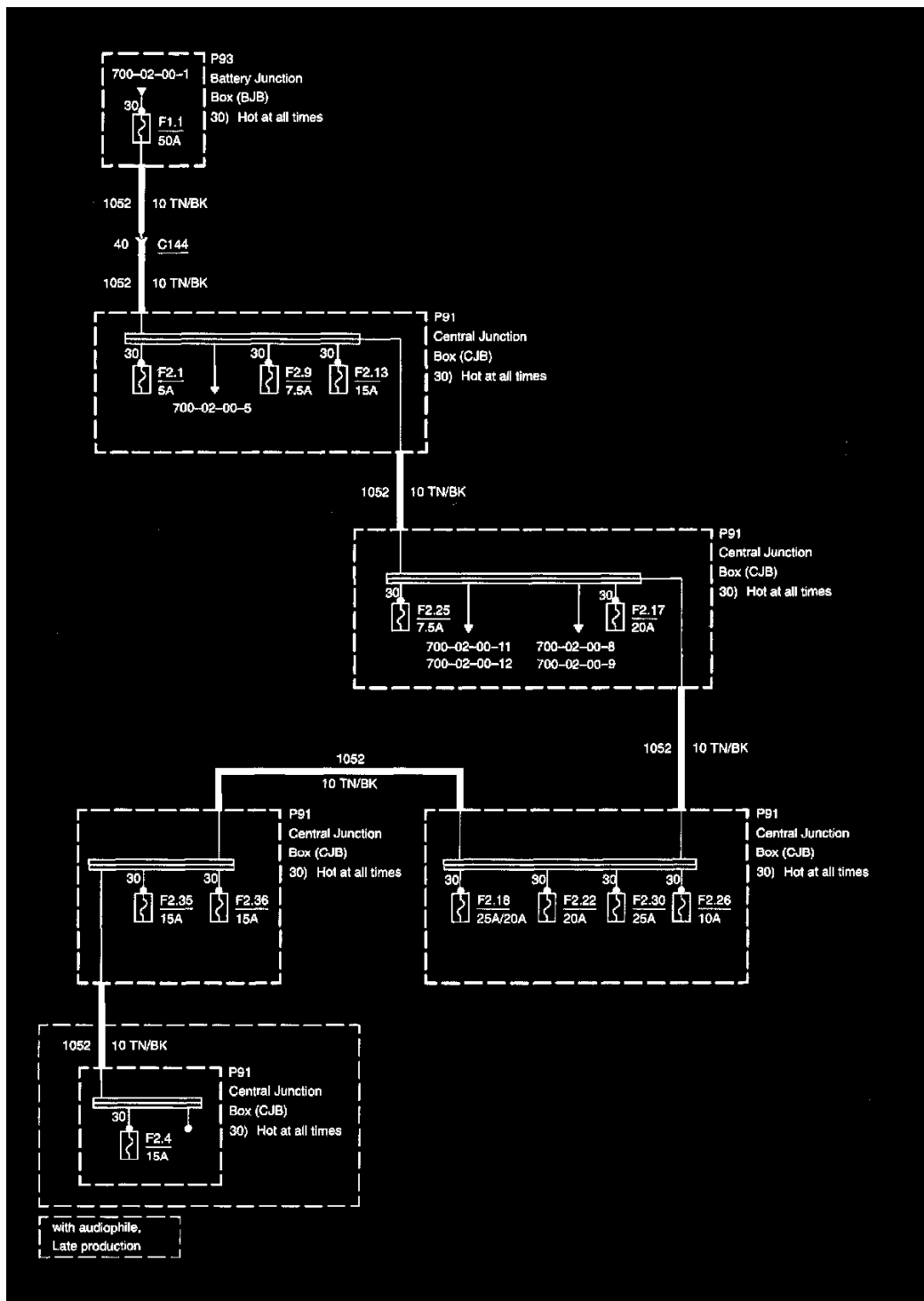


Diagram 700-02-00-6

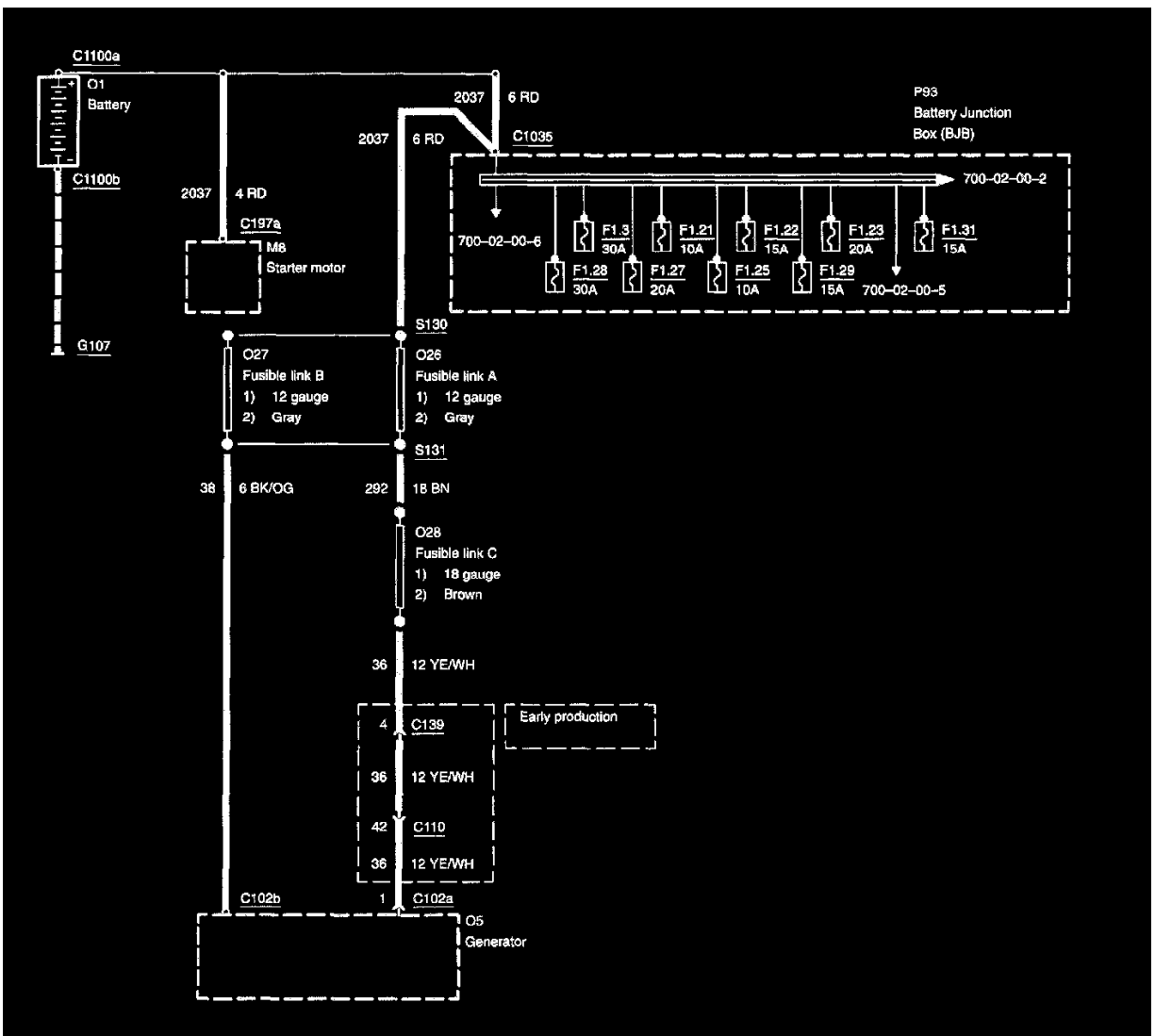


Diagram 700-02-00-1

F 2.26

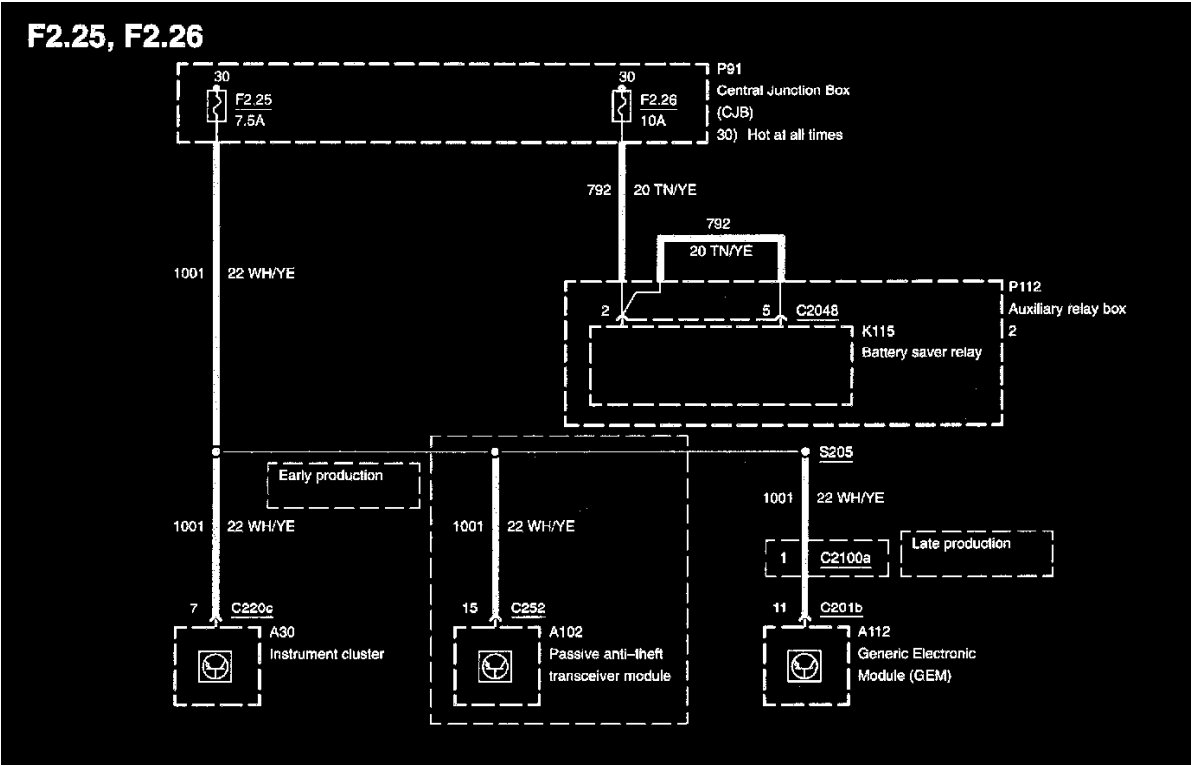


Diagram 700-03-00-25

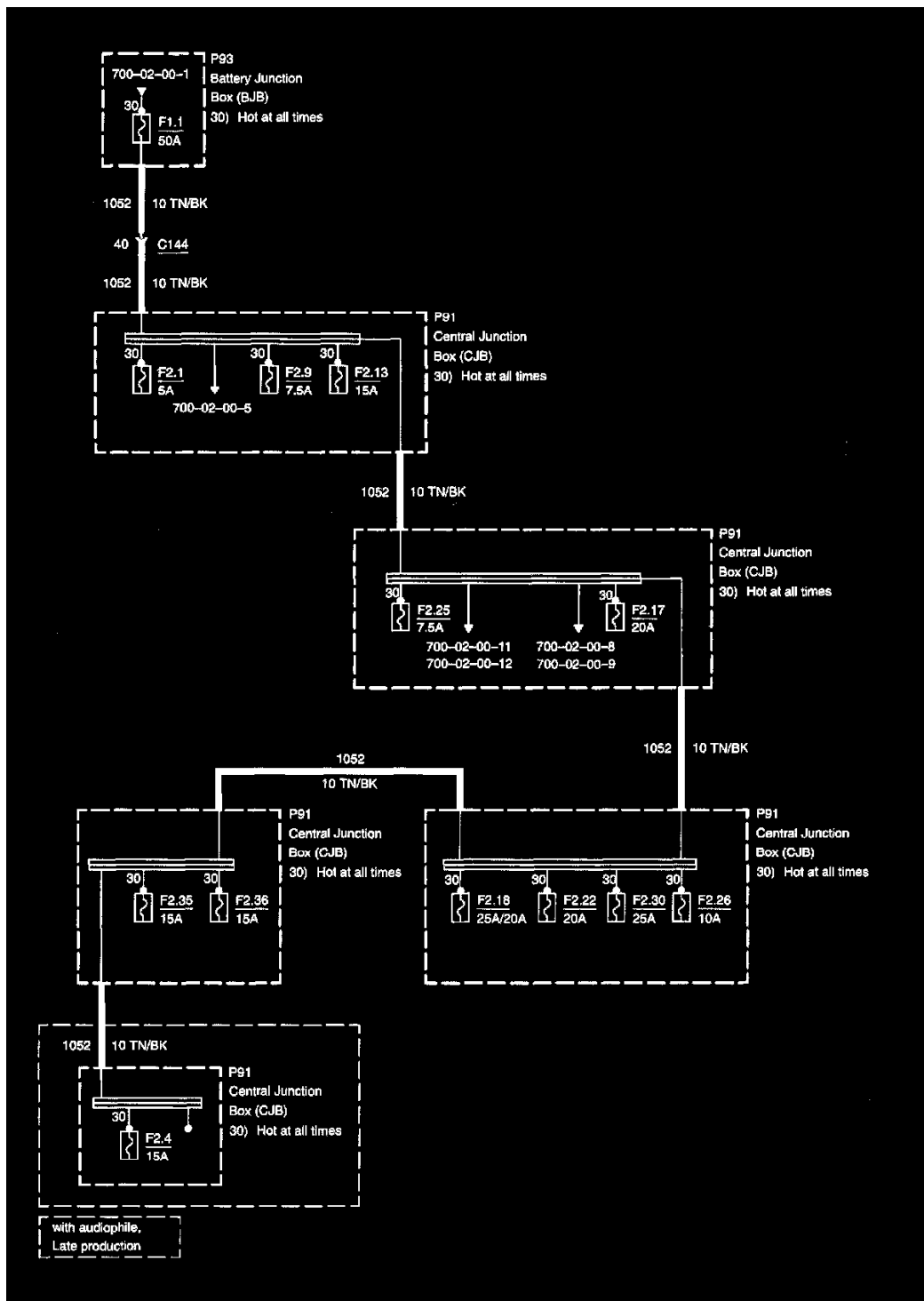


Diagram 700-02-00-6

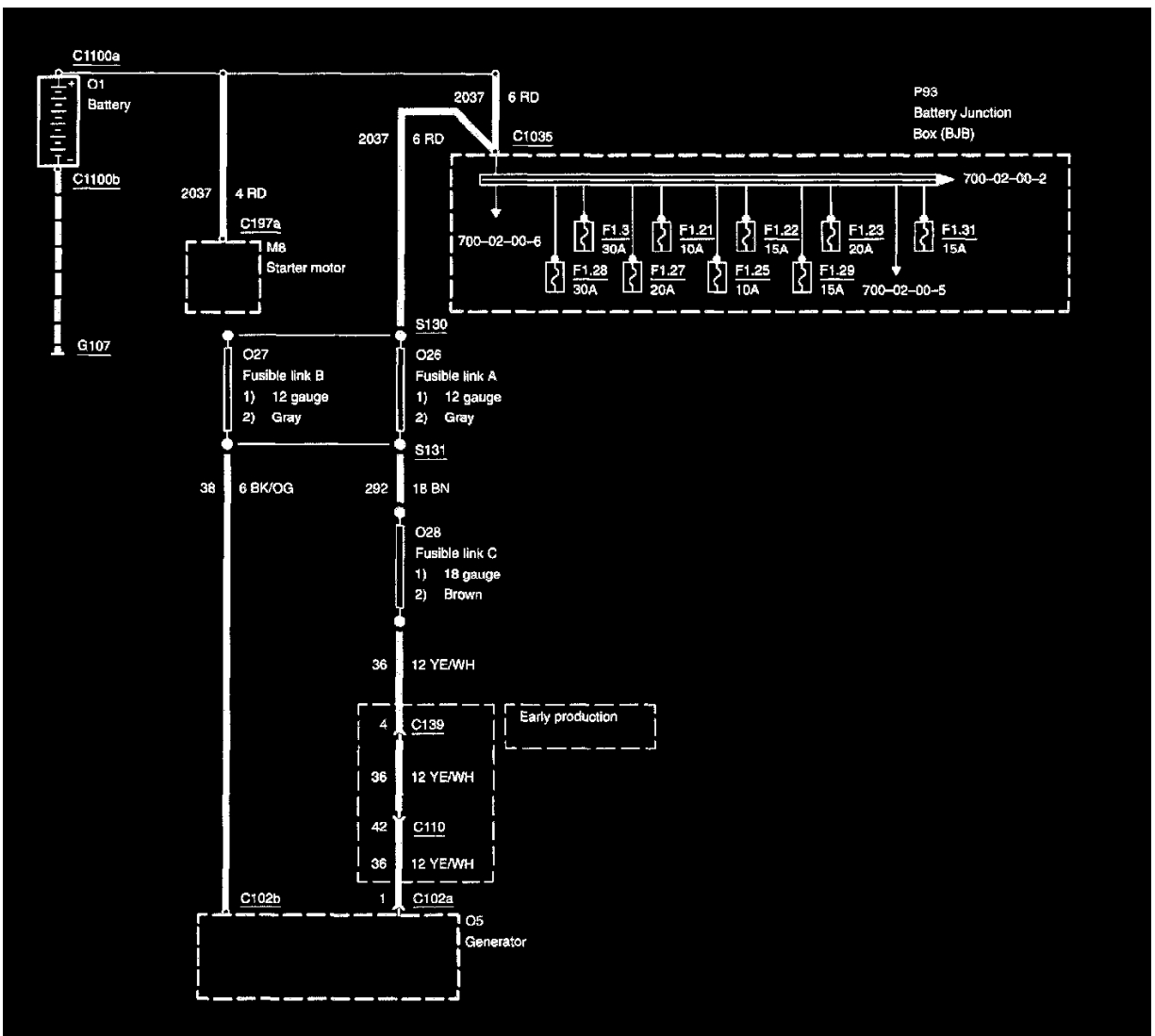


Diagram 700-02-00-1

F 2.27

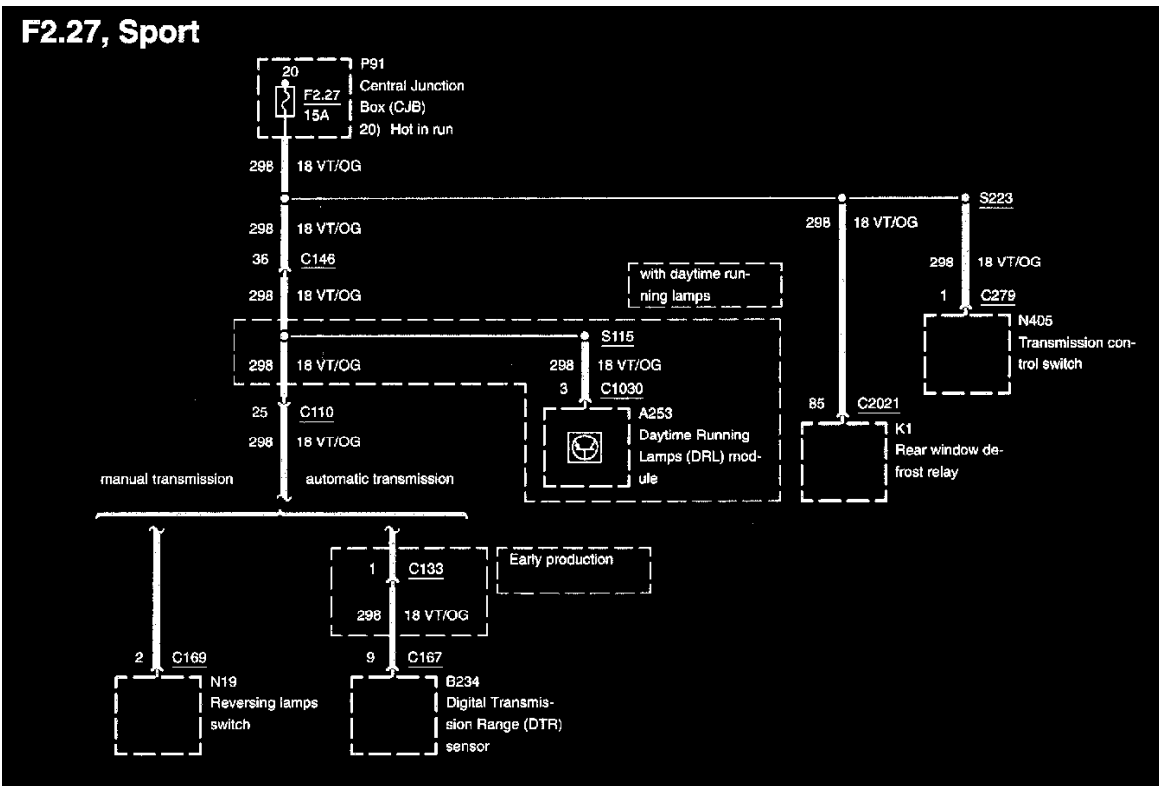


Diagram 700-03-00-26

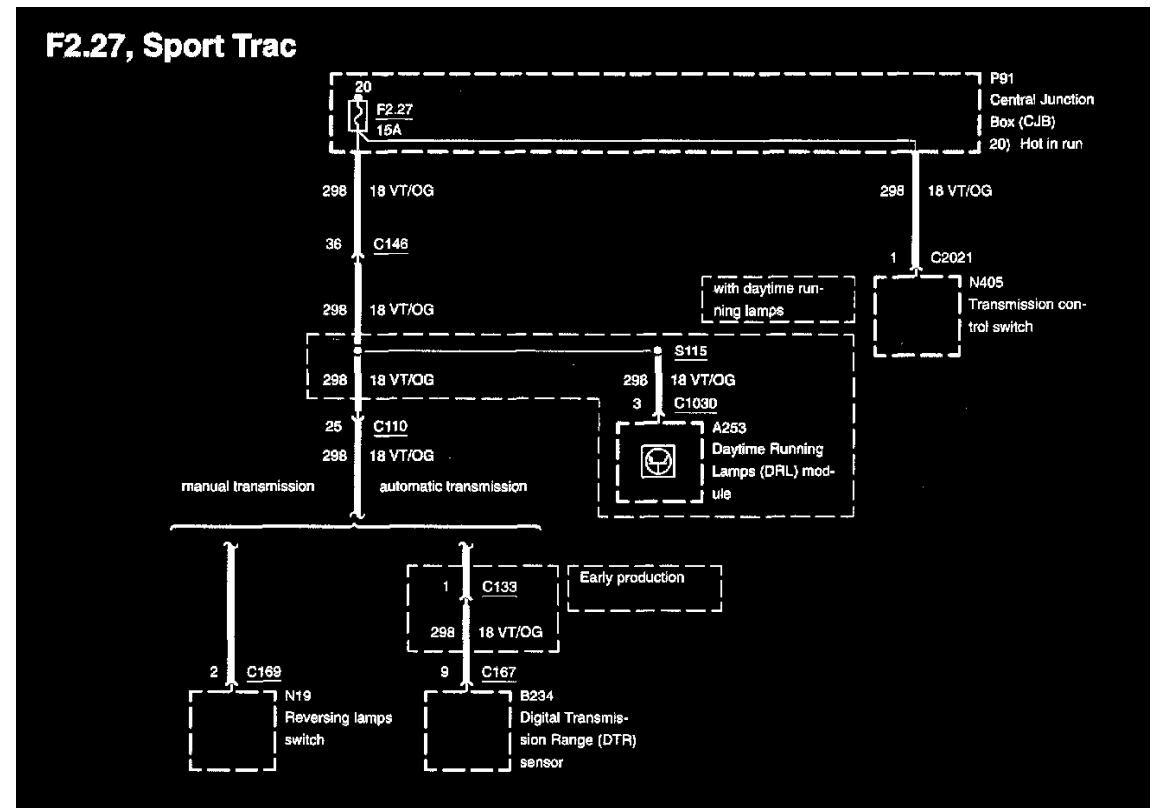


Diagram 700-03-00-27

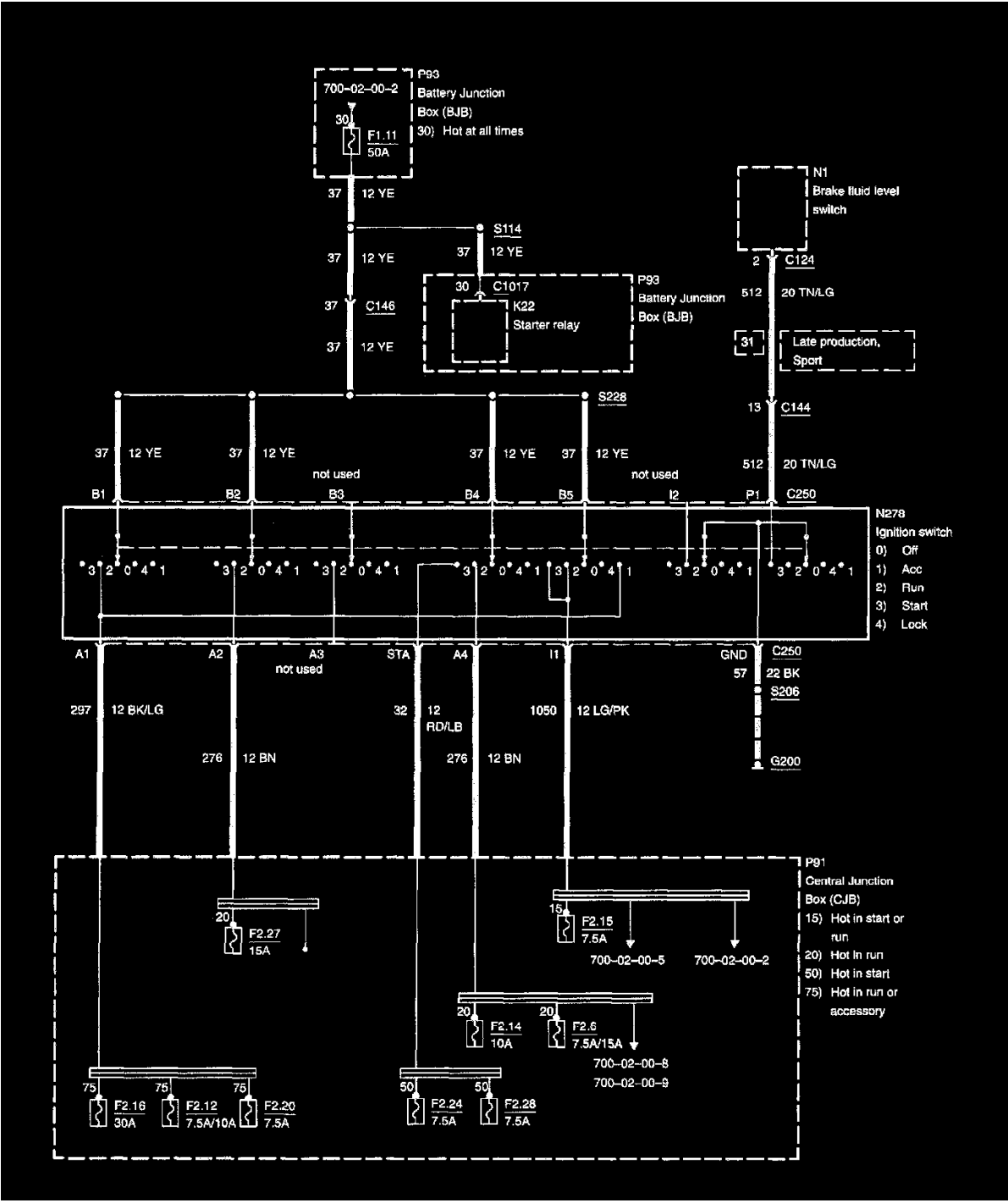


Diagram 700-02-00-7

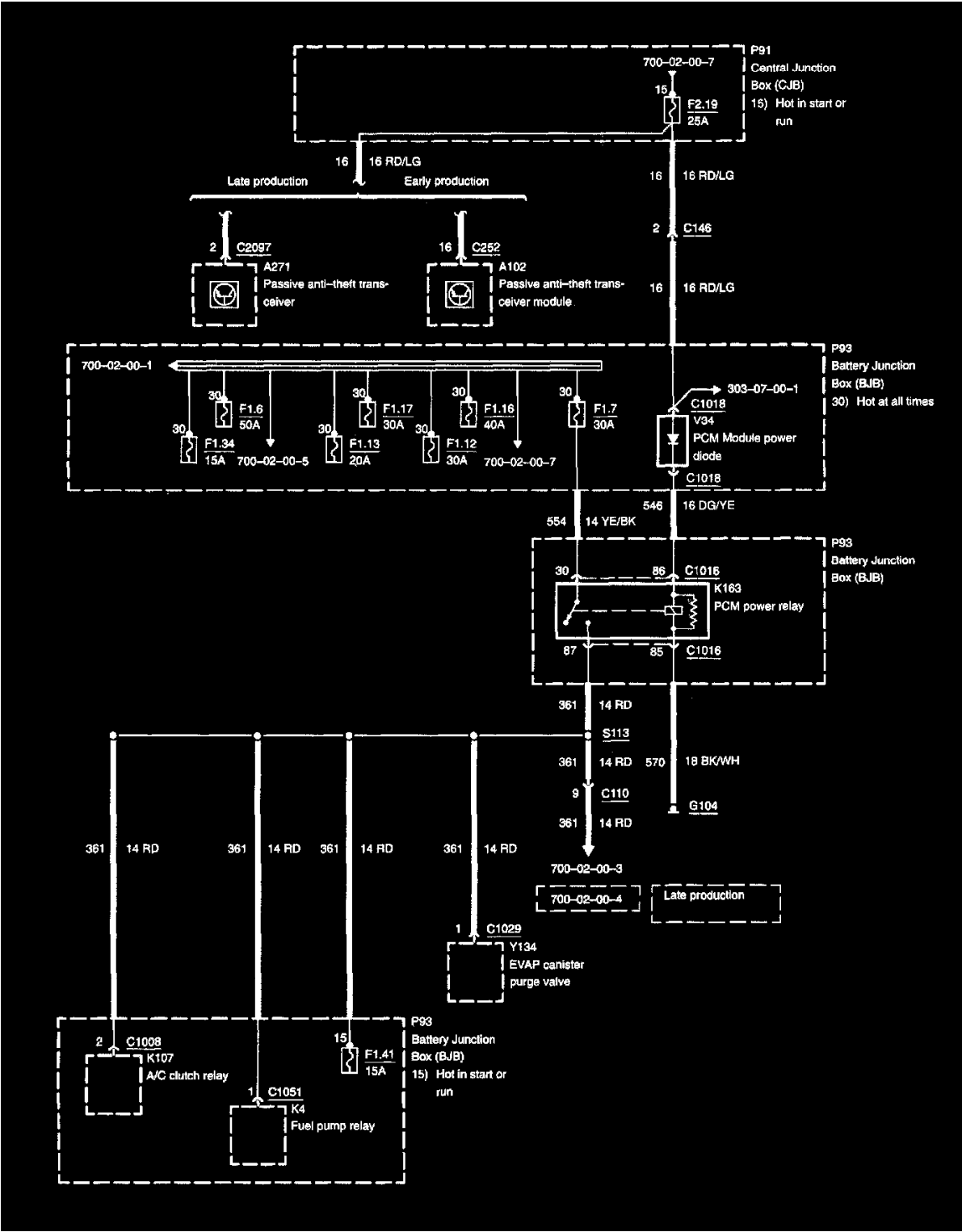


Diagram 700-02-00-2

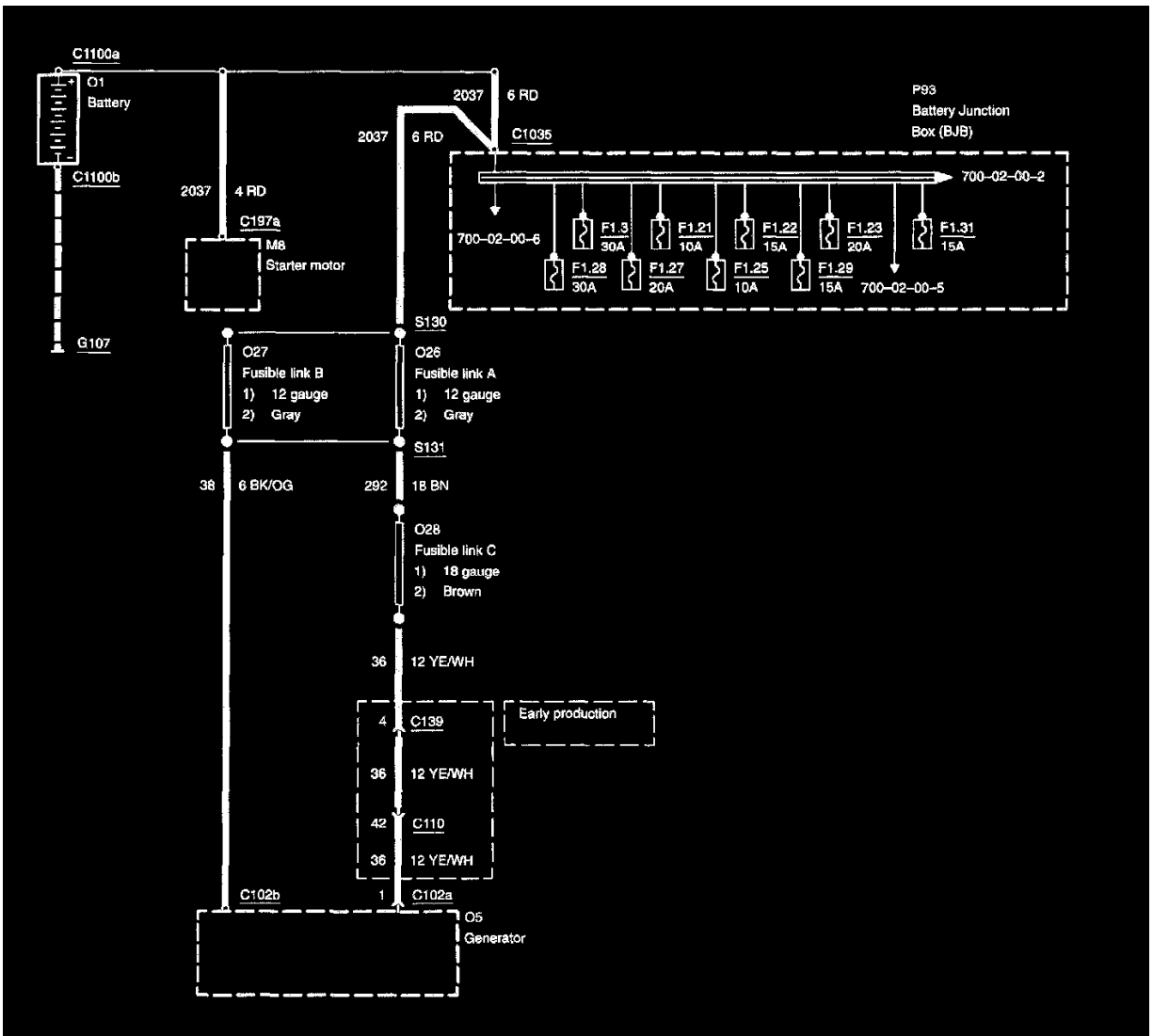


Diagram 700-02-00-1

F 2.28

F2.28

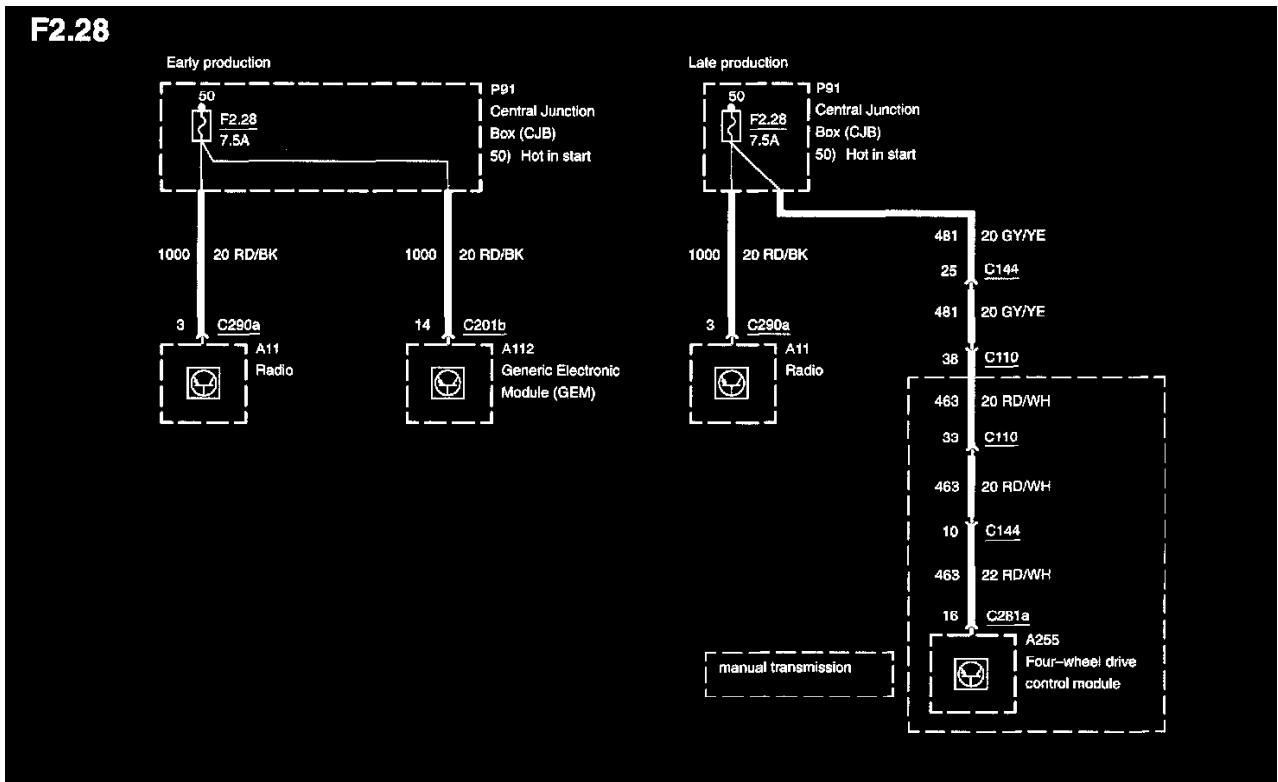


Diagram 700-03-00-28

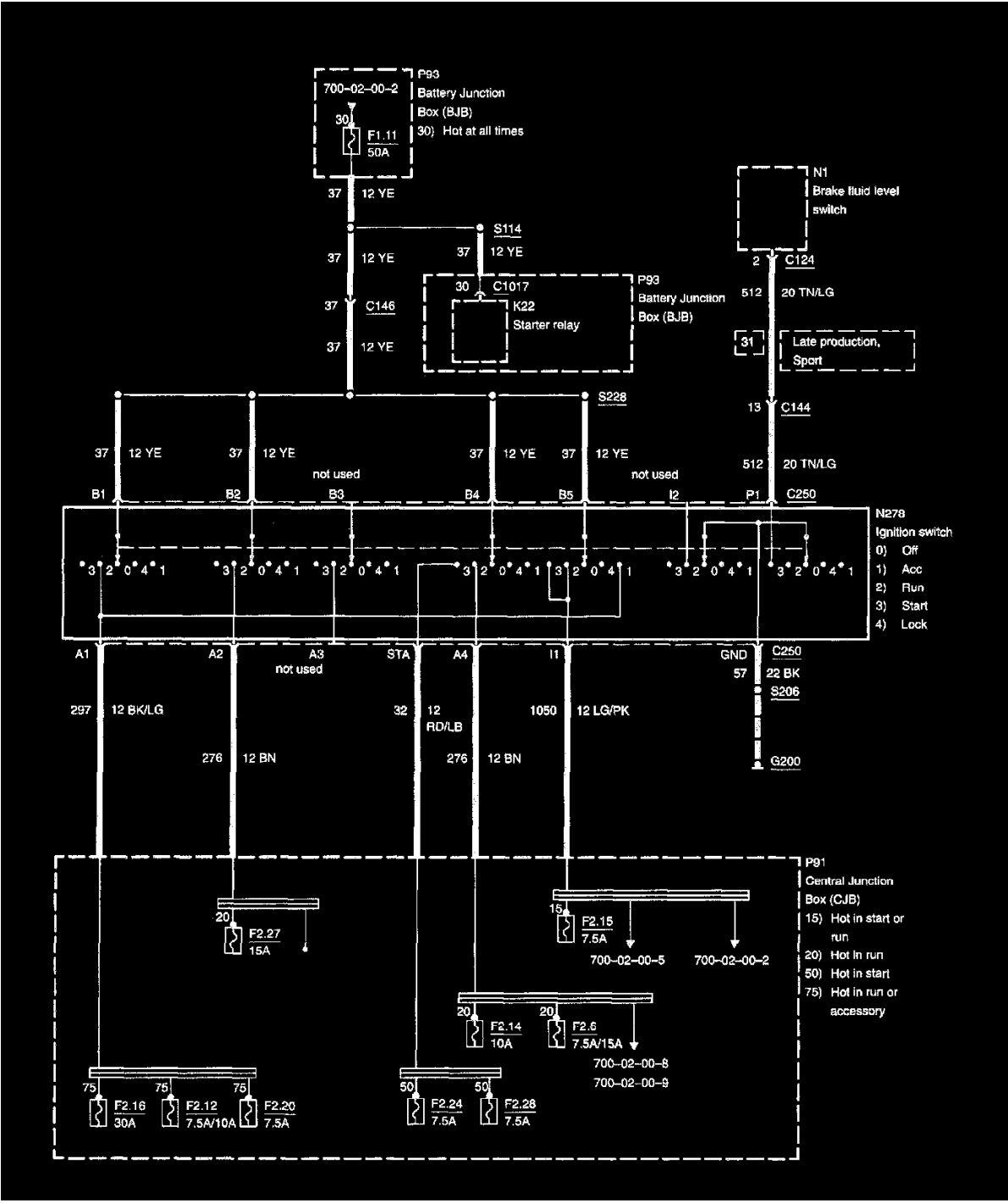


Diagram 700-02-00-7

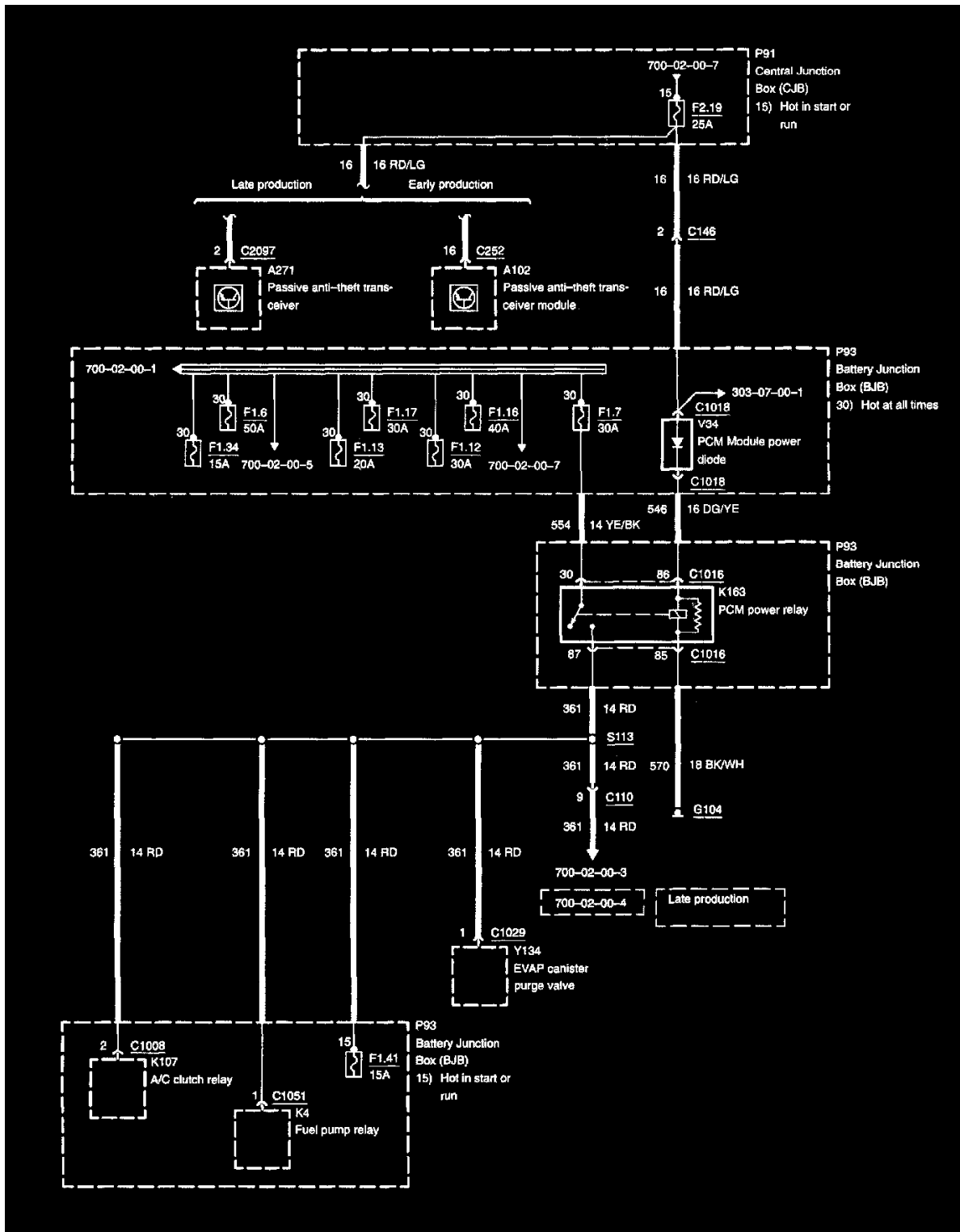


Diagram 700-02-00-2

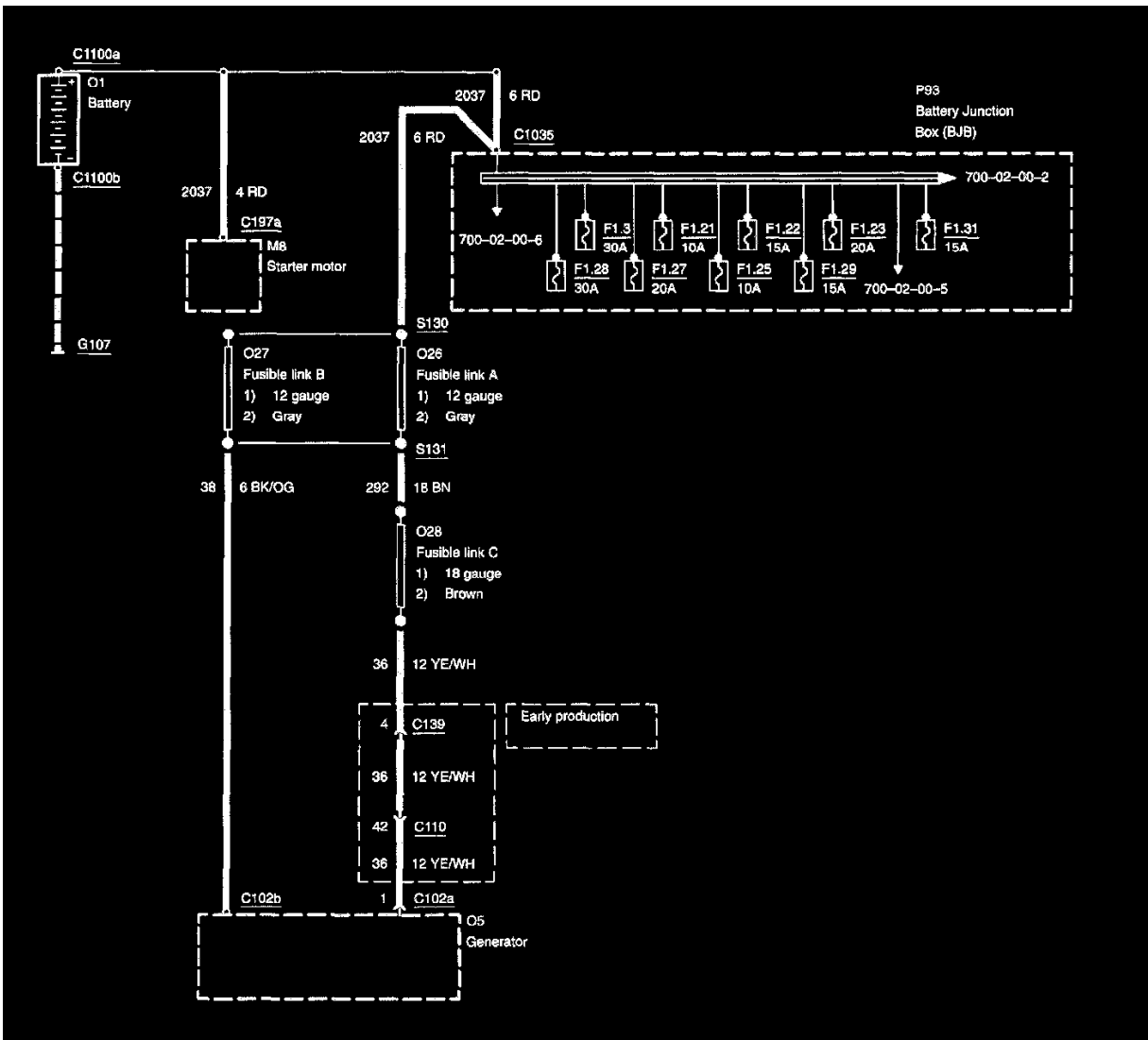


Diagram 700-02-00-1

F 2.30

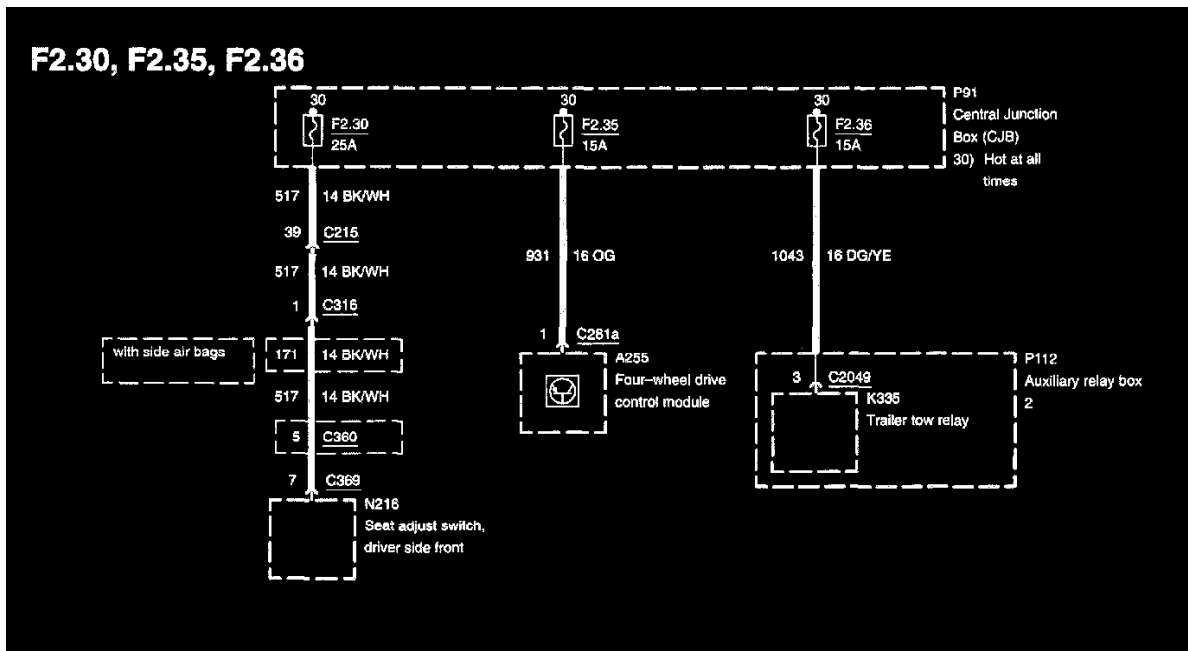


Diagram 700-03-00-29

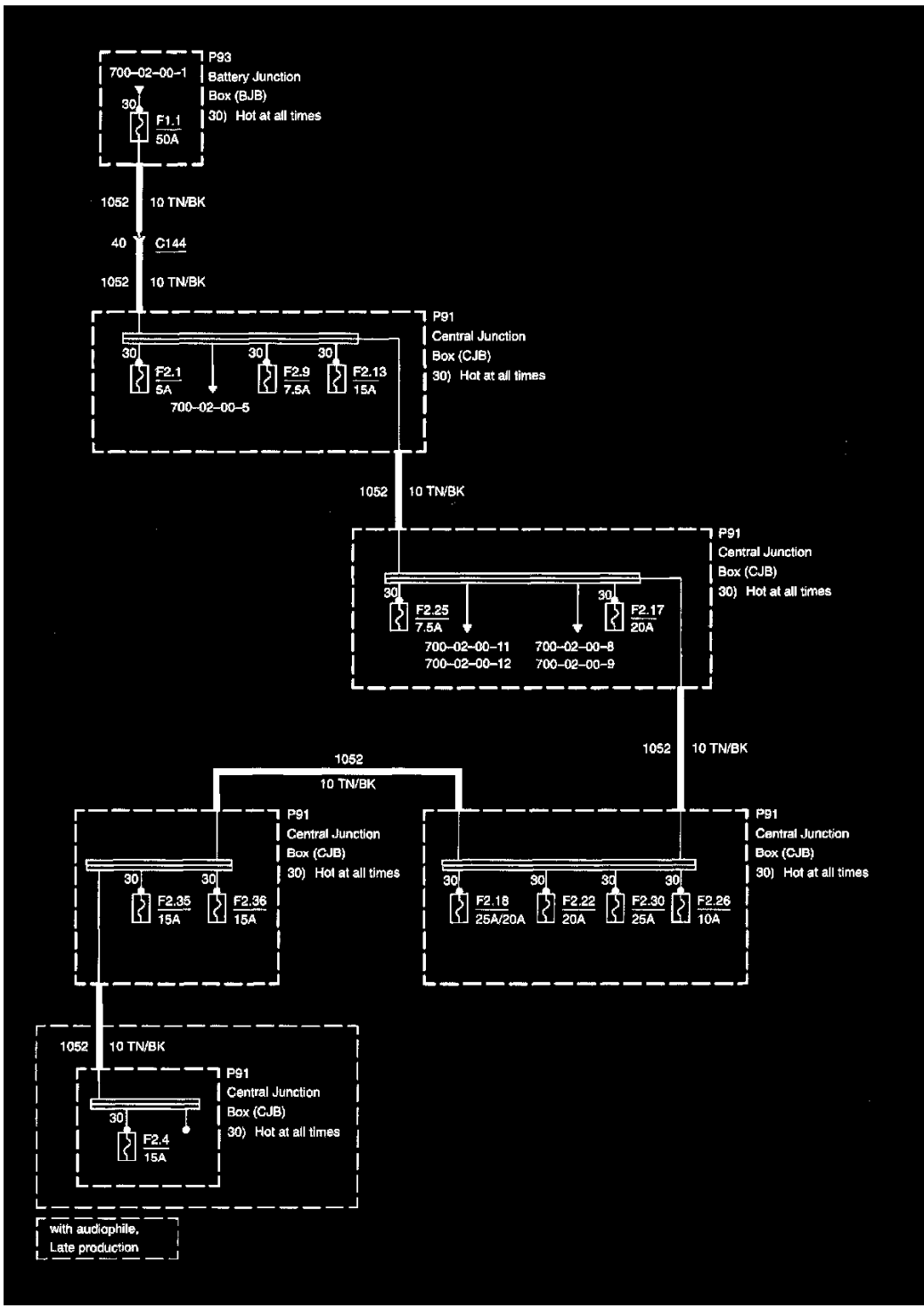


Diagram 700-02-00-6

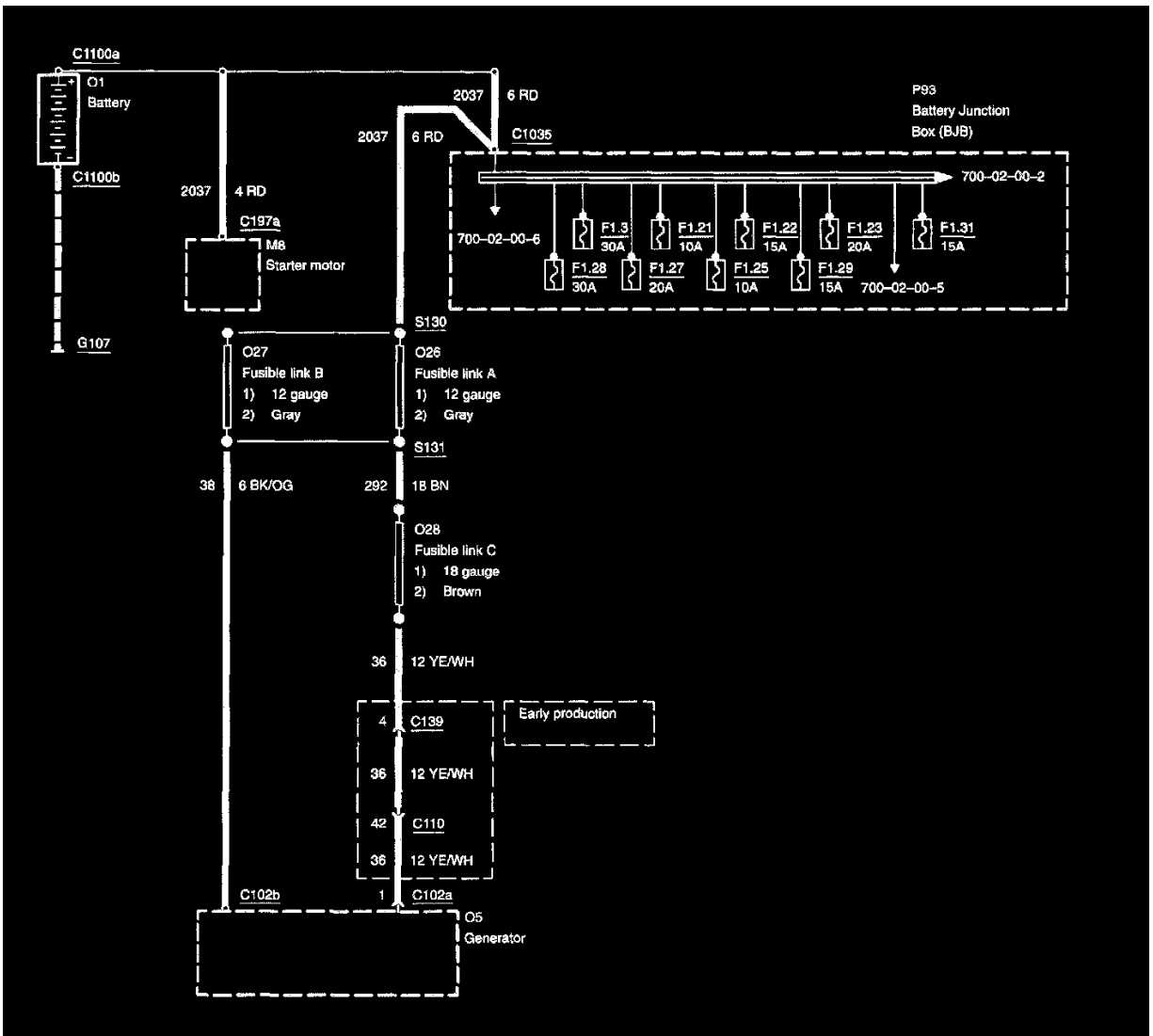


Diagram 700-02-00-1

F 2.31

F2.6, F2.31

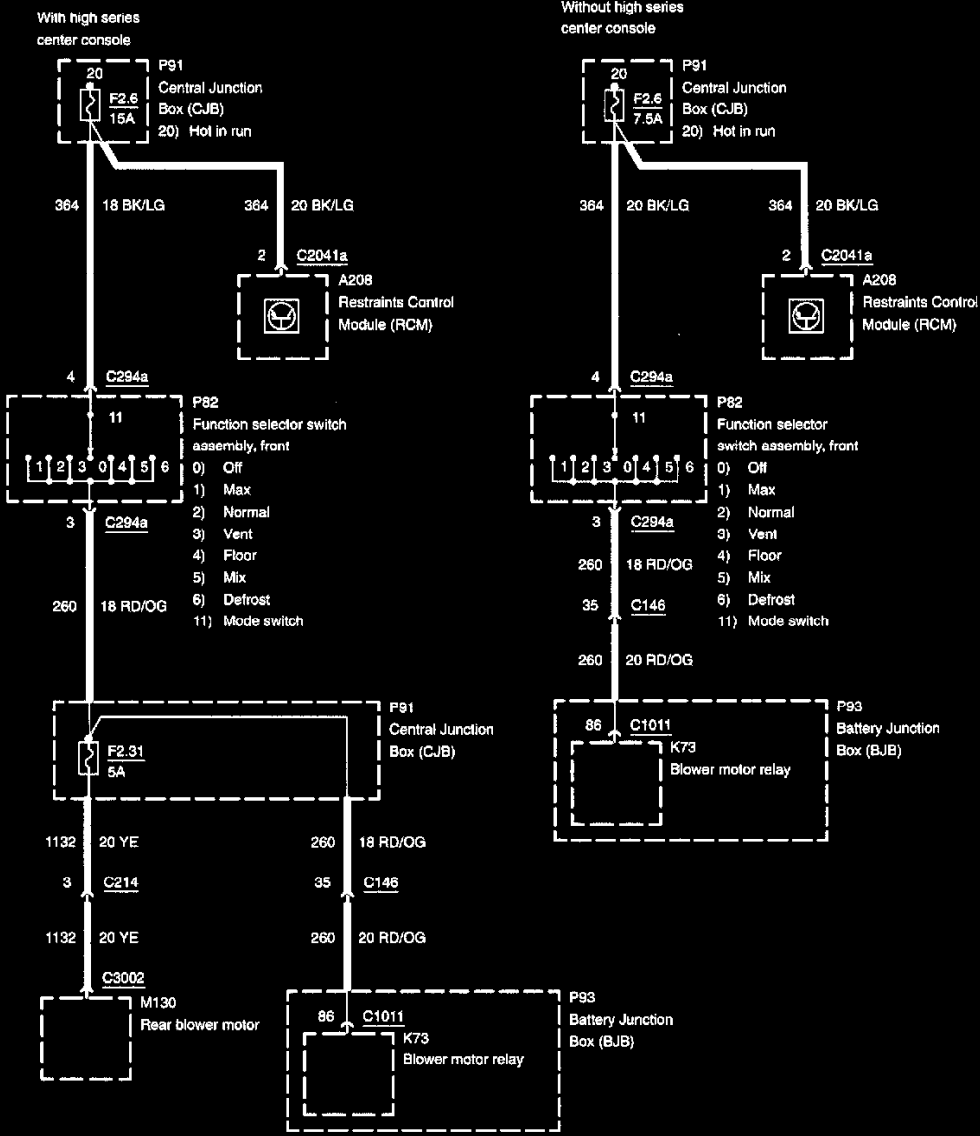


Diagram 700-03-00-12

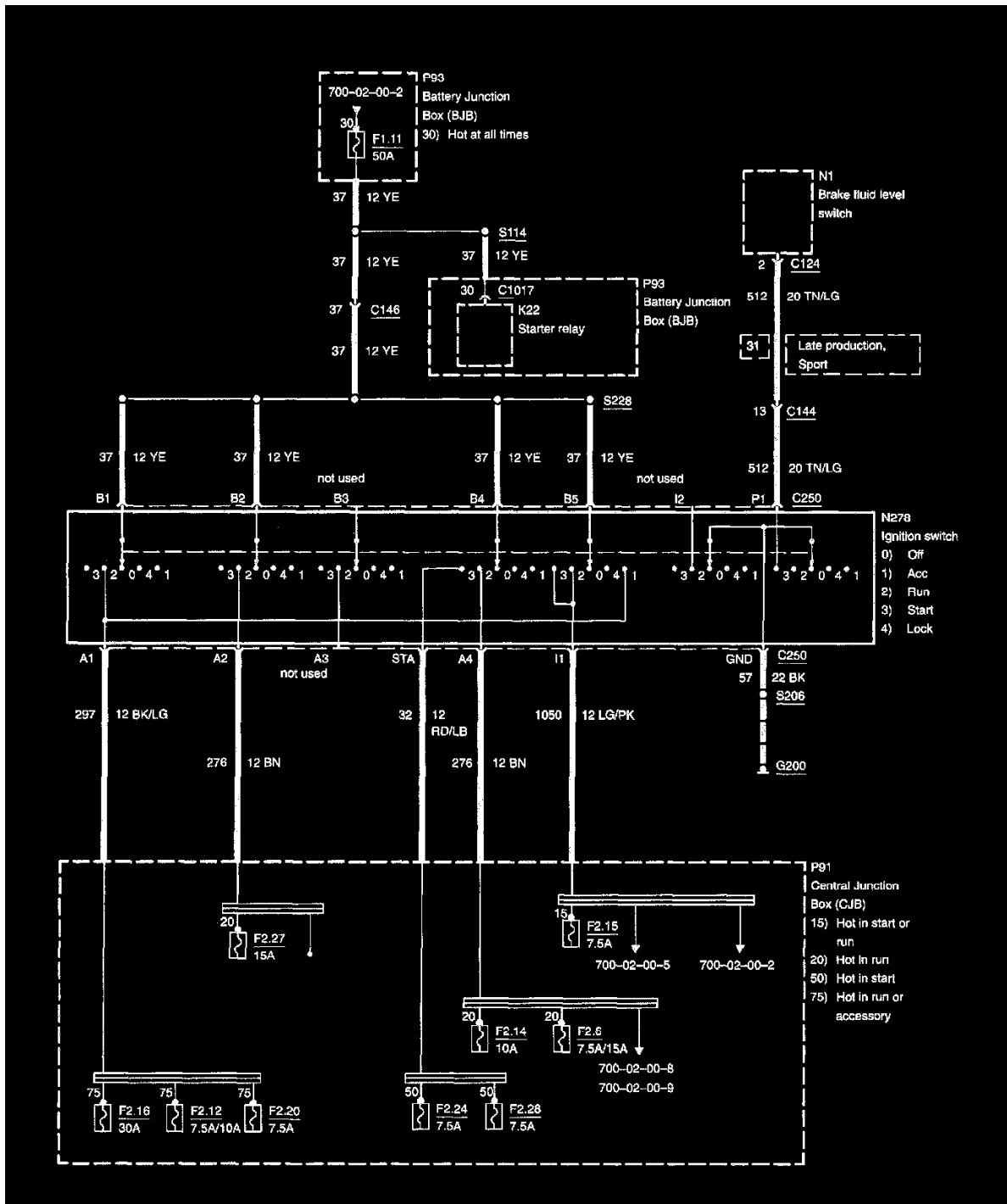


Diagram 700-02-00-7

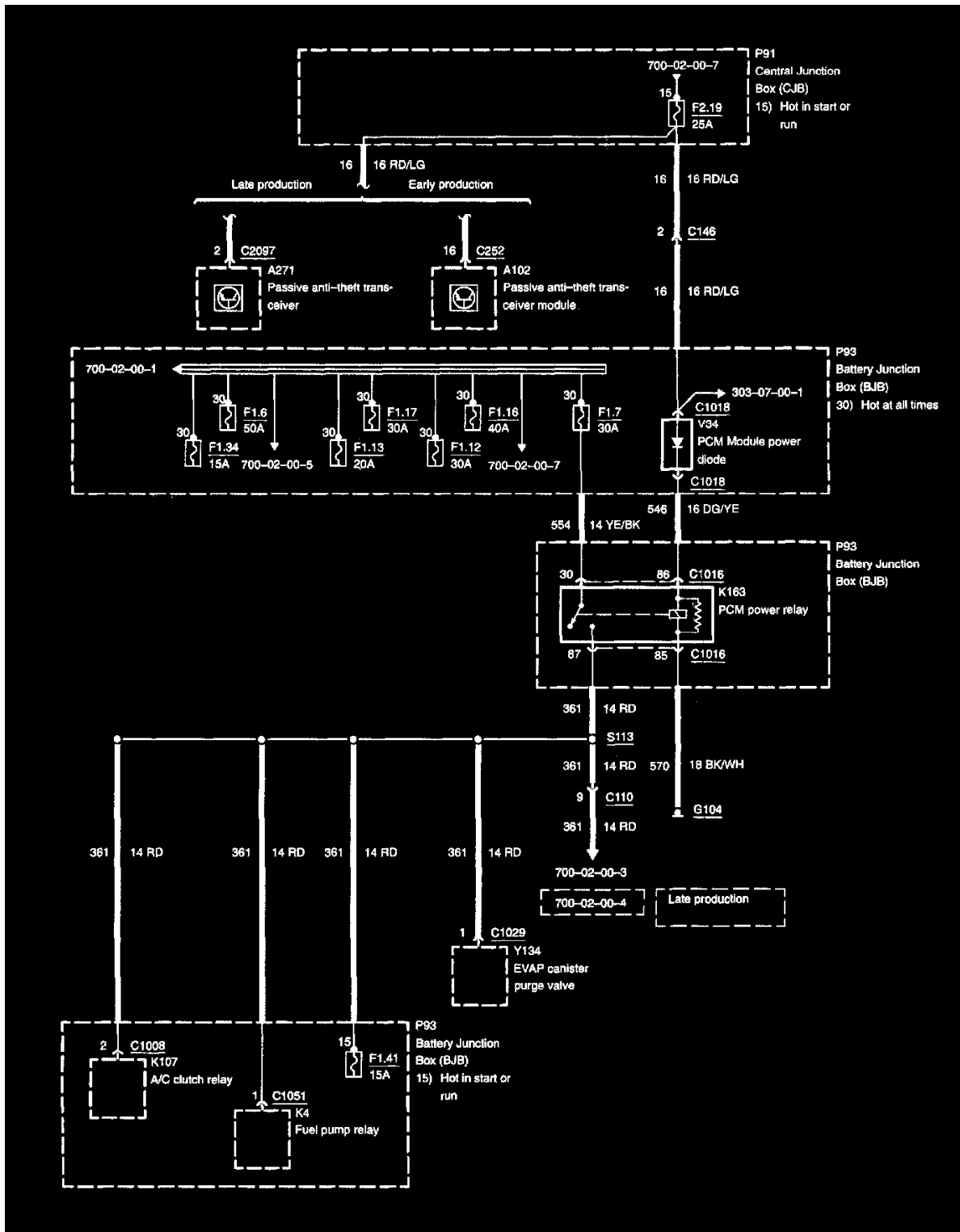


Diagram 700-02-00-2

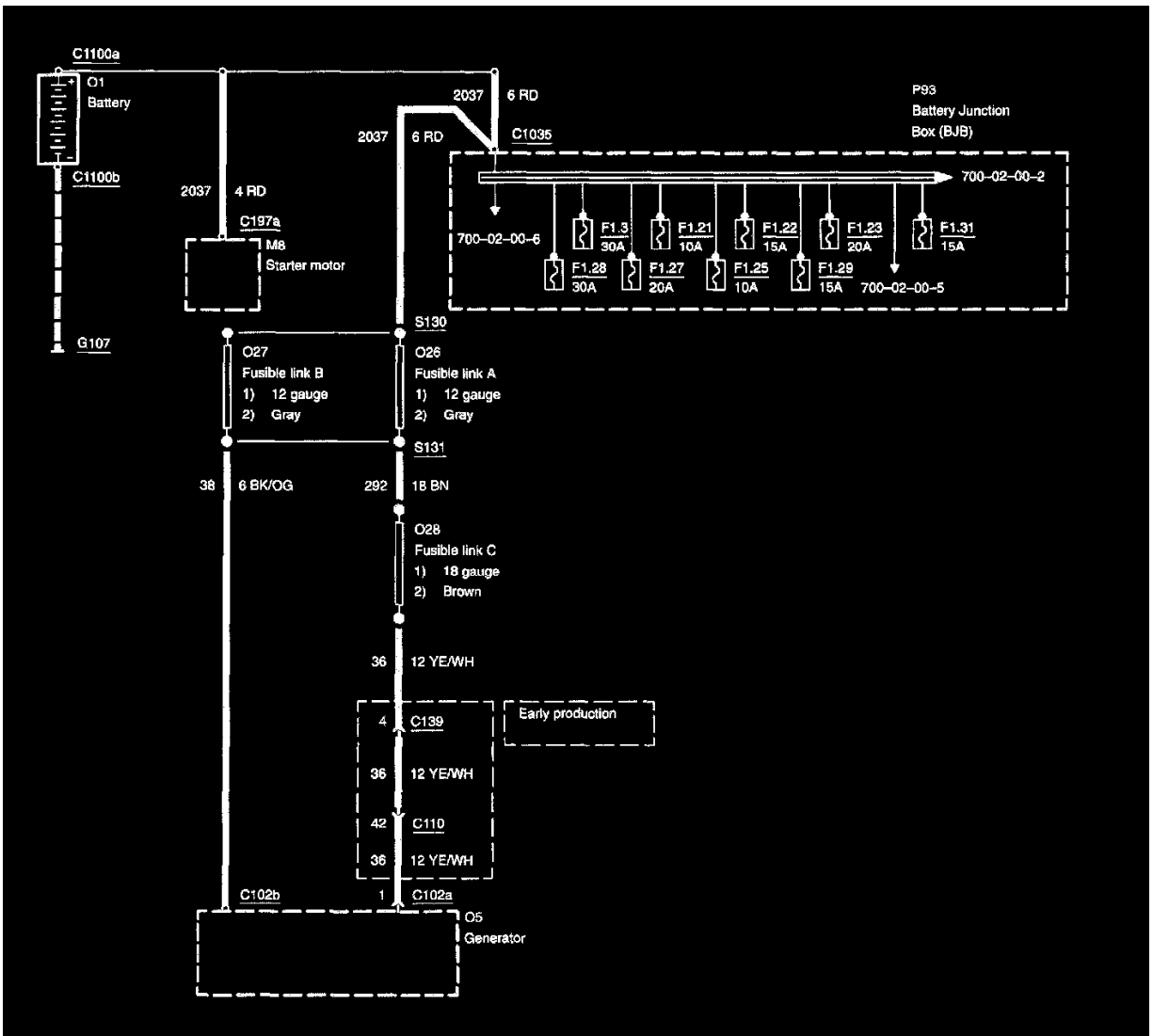


Diagram 700-02-00-1

F 2.35

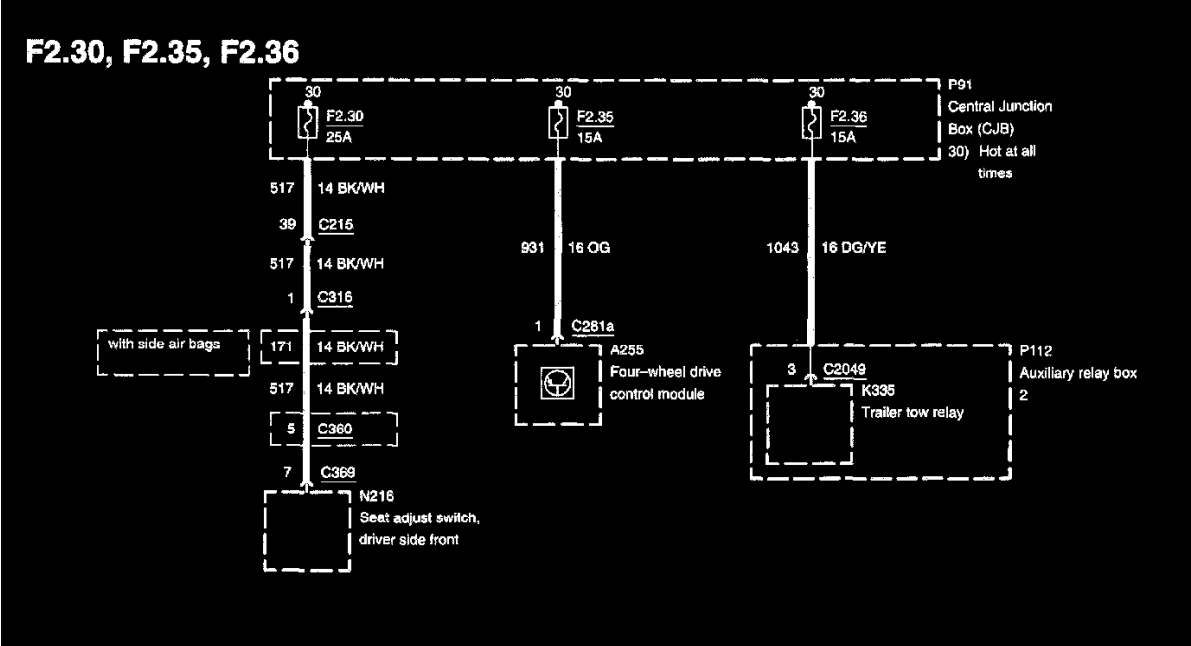


Diagram 700-03-00-29

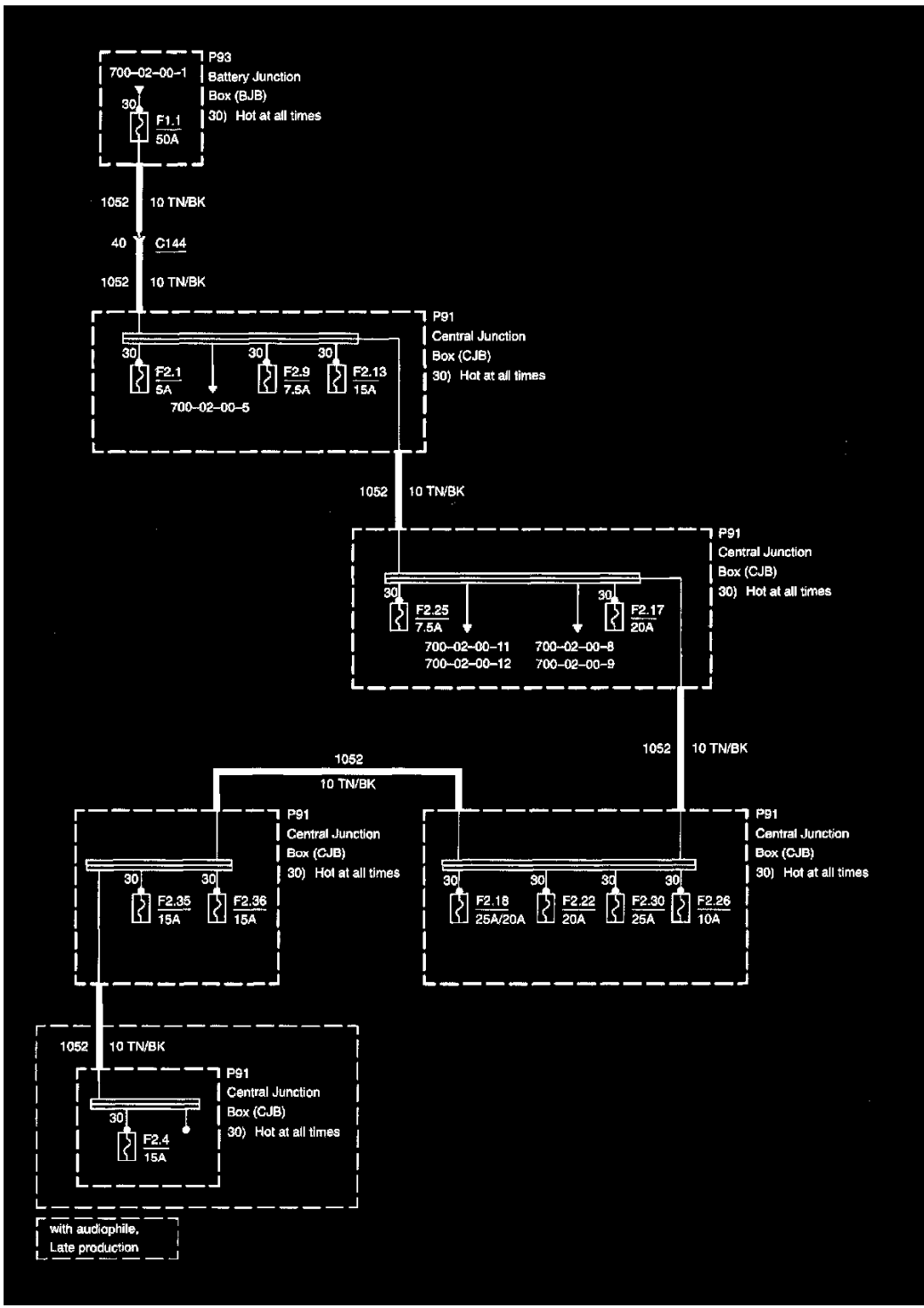


Diagram 700-02-00-6

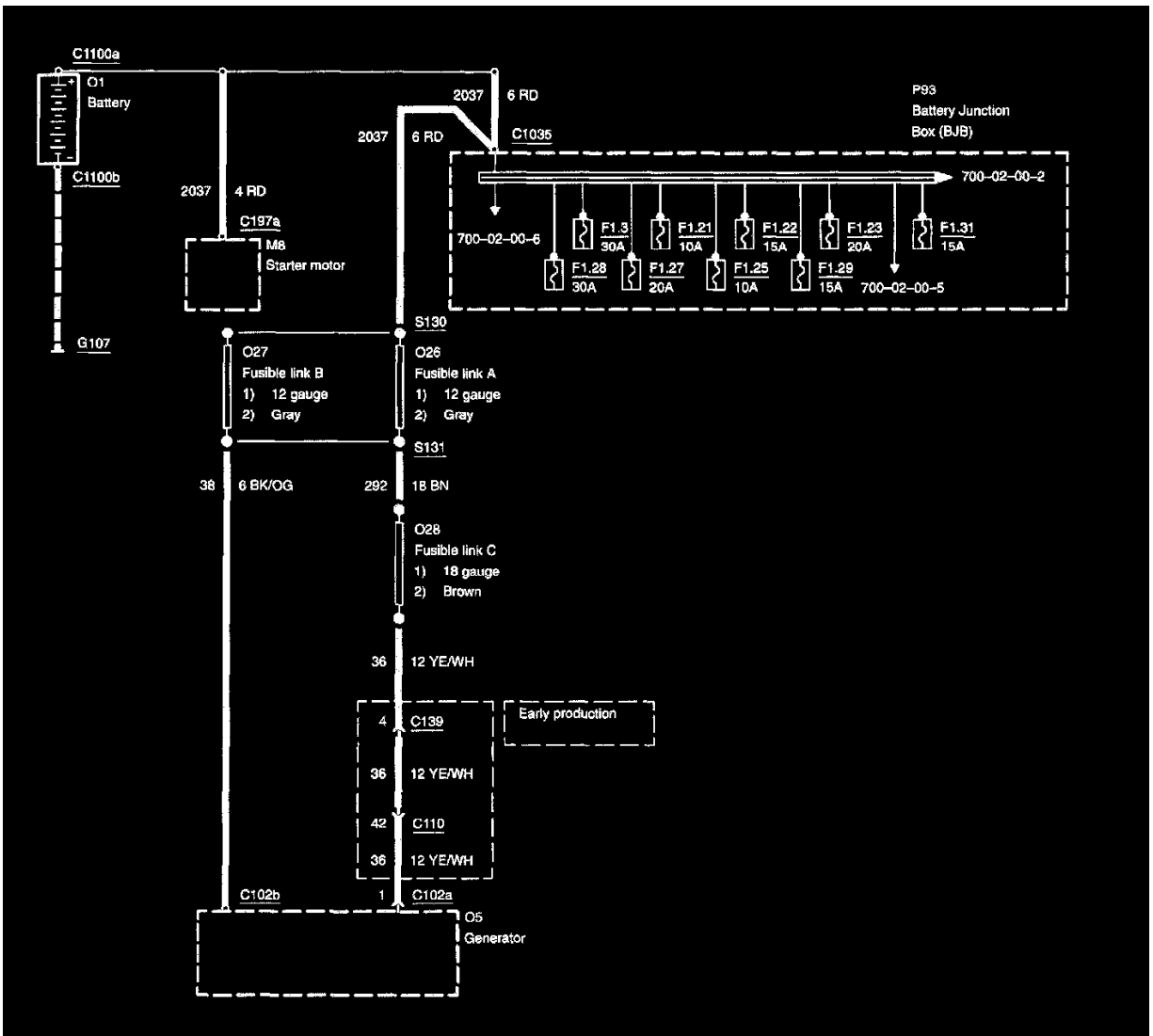


Diagram 700-02-00-1

F 2.36

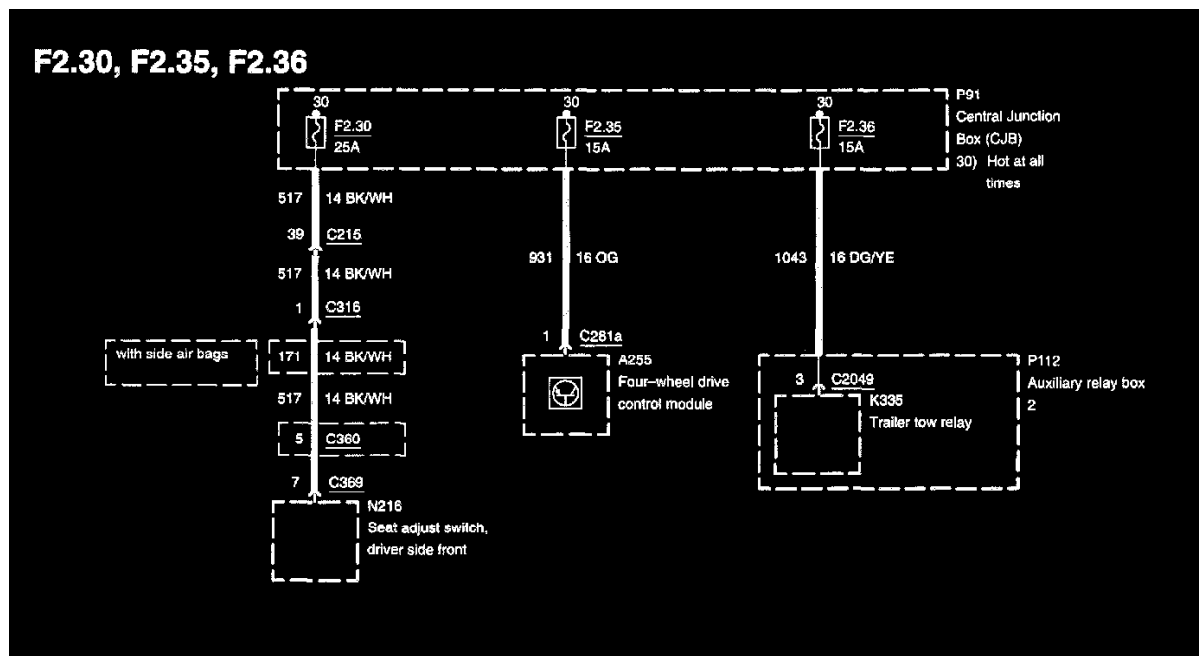


Diagram 700-03-00-29

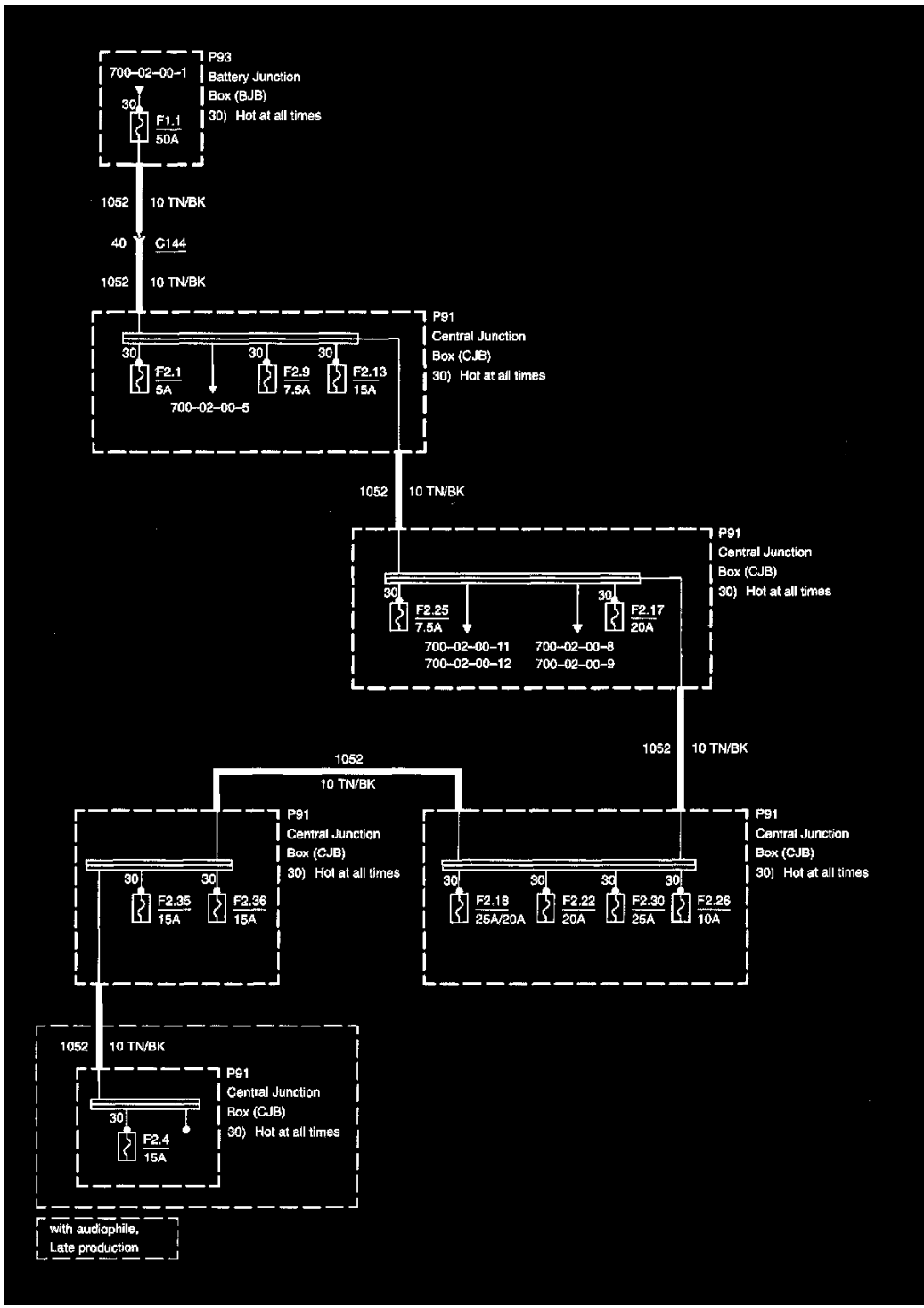


Diagram 700-02-00-6

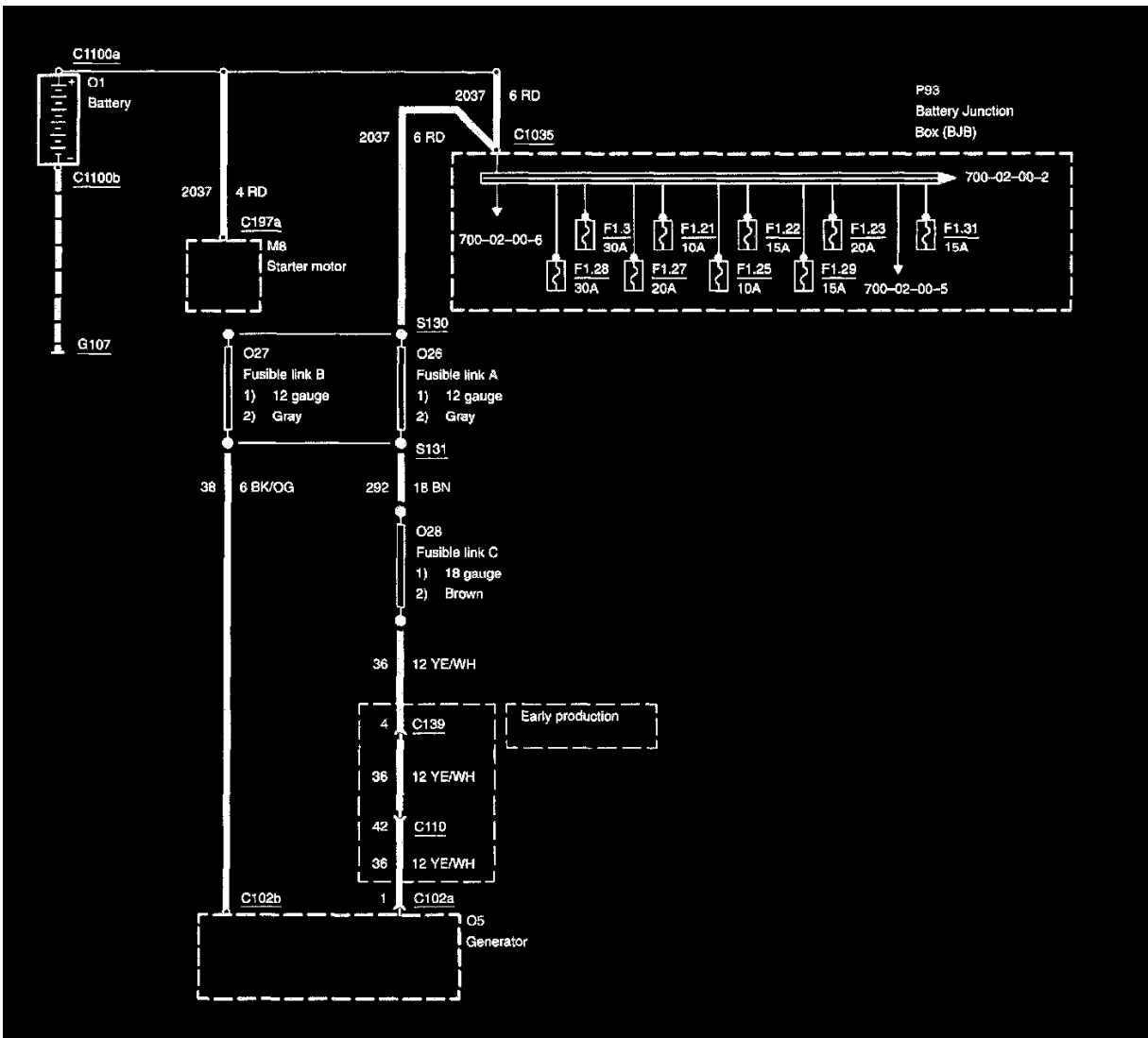


Diagram 700-02-00-1

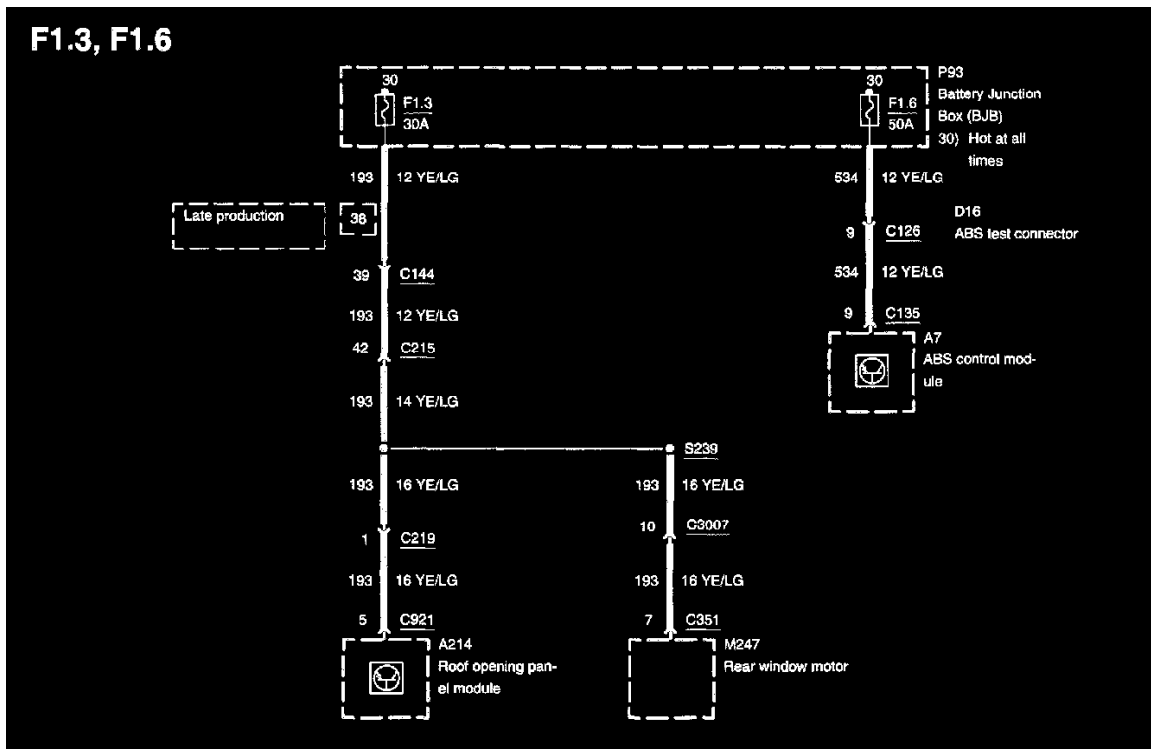


Diagram 700-03-00-1

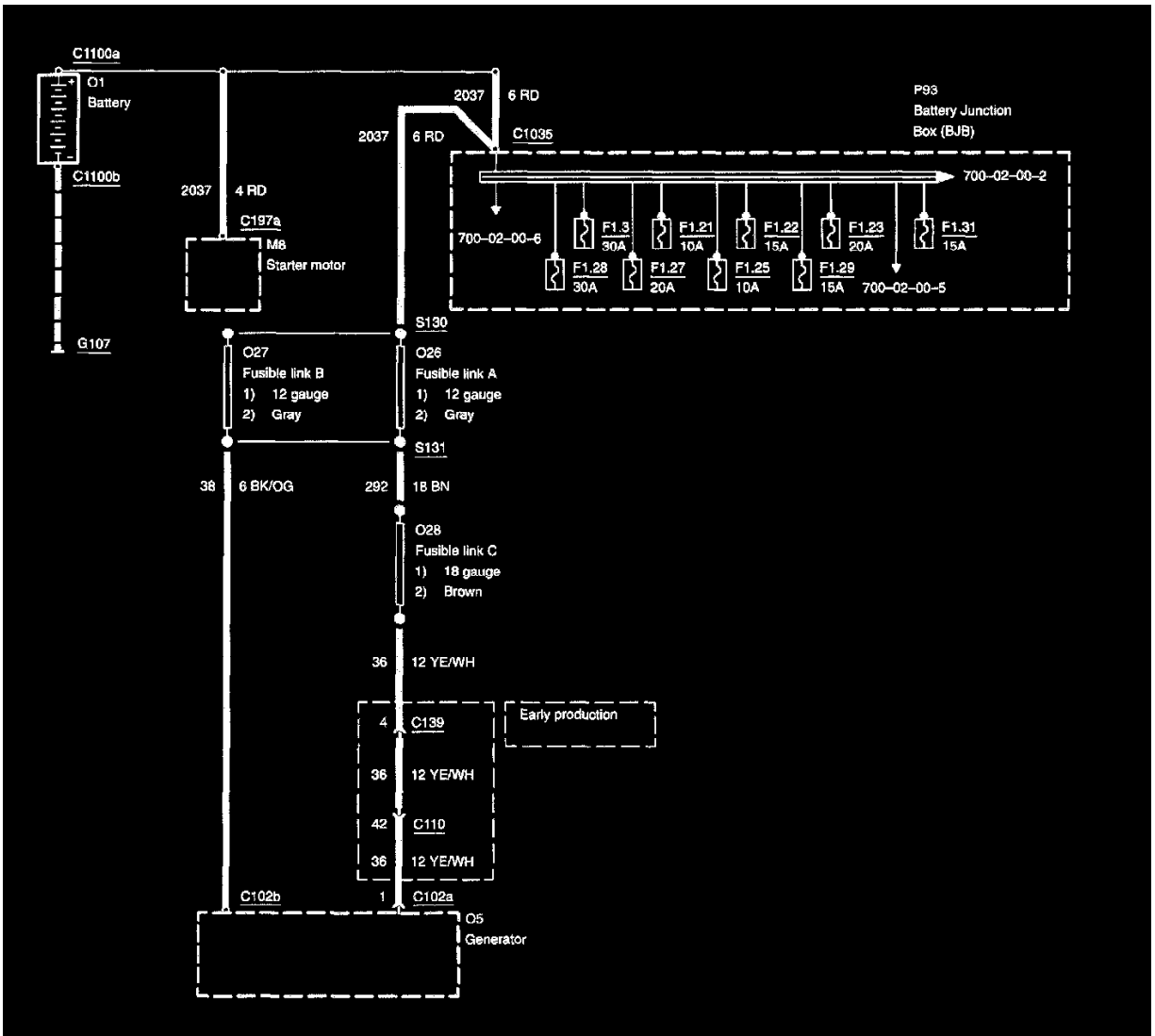


Diagram 700-02-00-1

F1.6

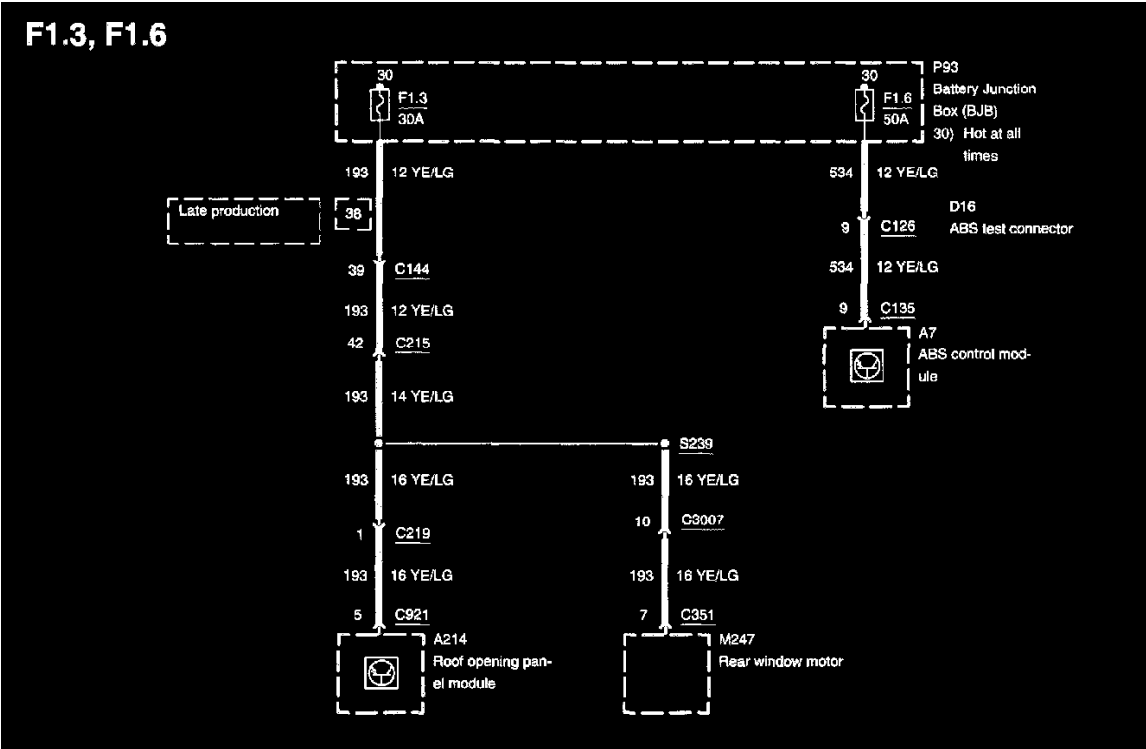


Diagram 700-03-00-1

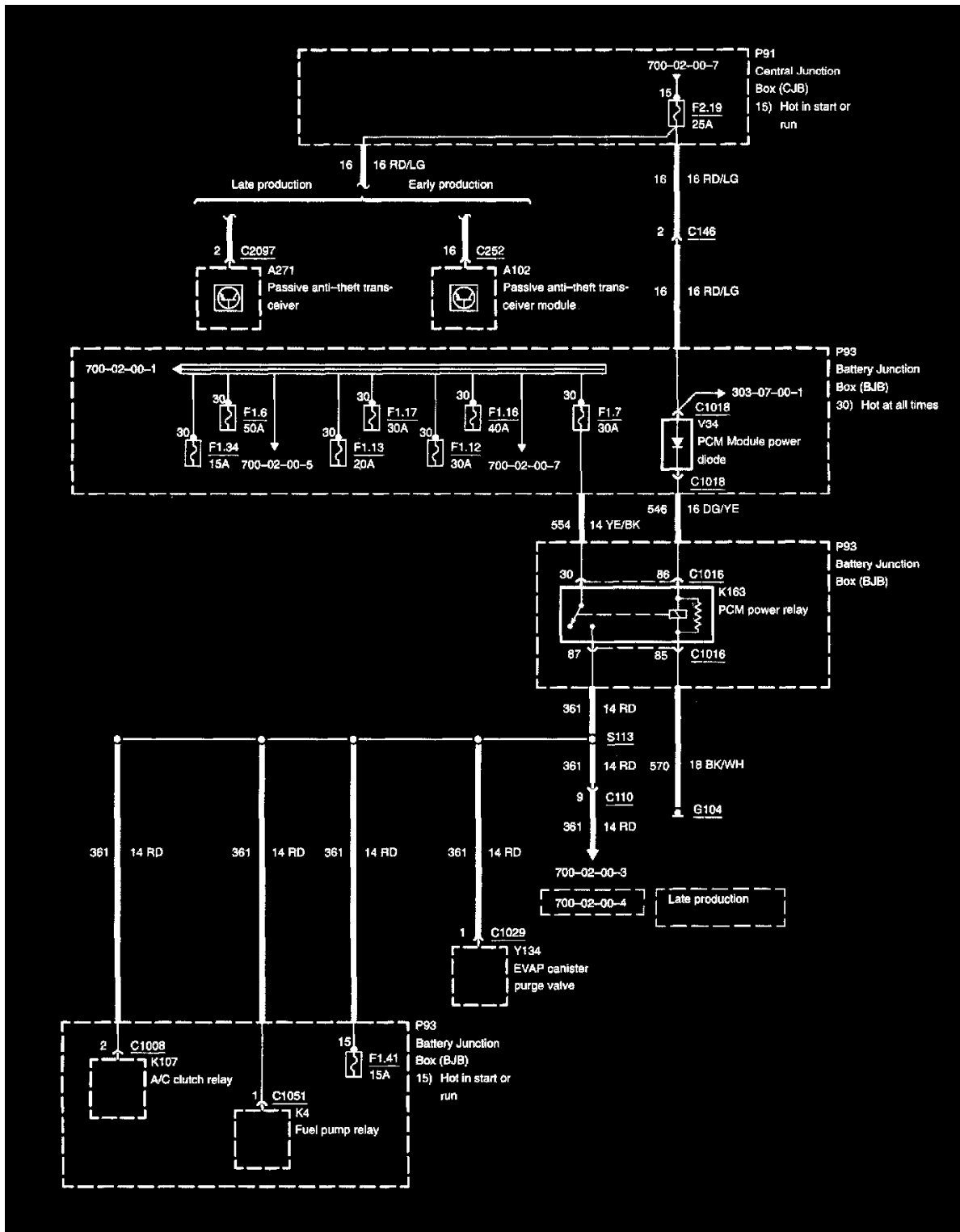


Diagram 700-02-00-2

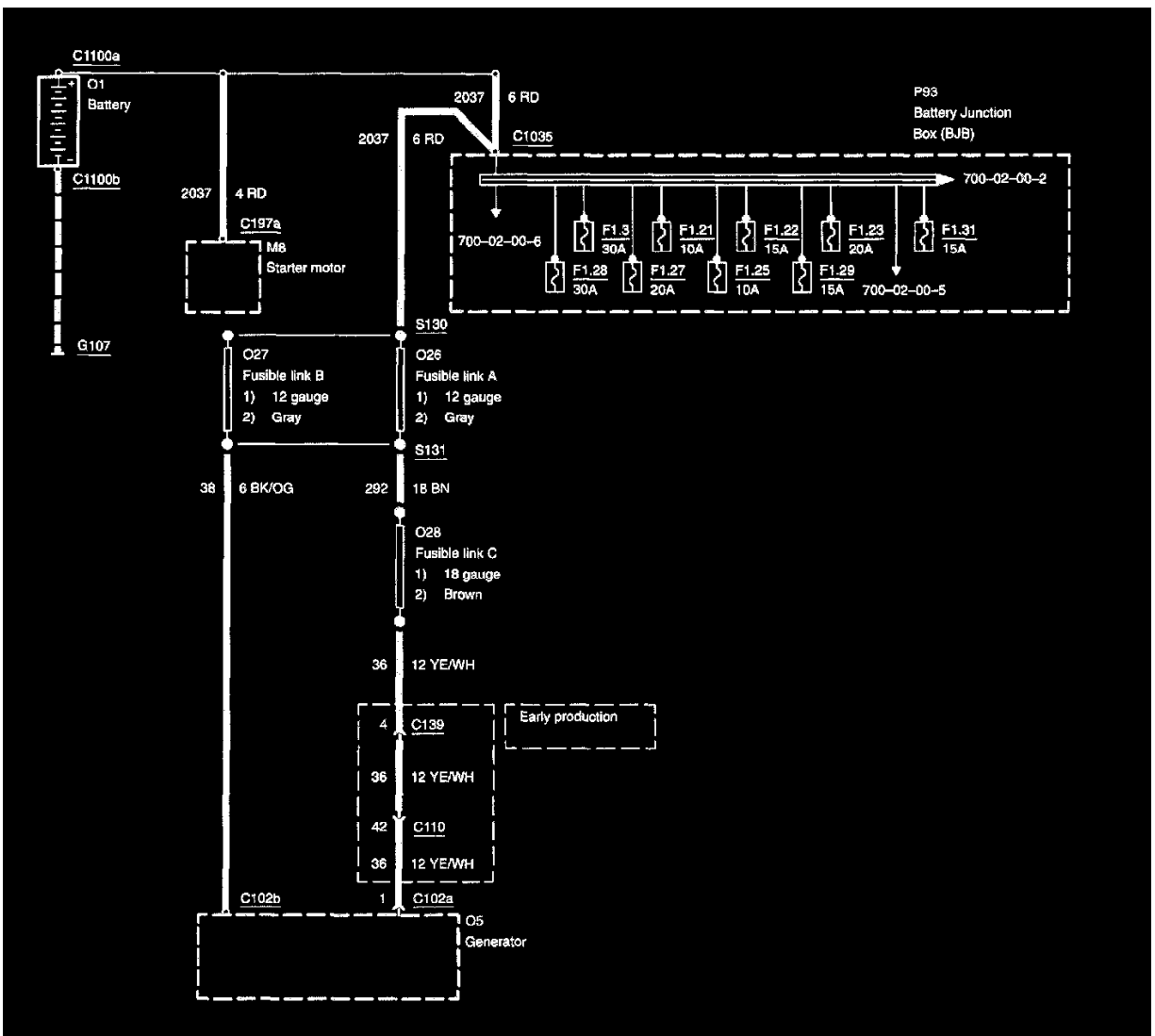


Diagram 700-02-00-1

F1.12

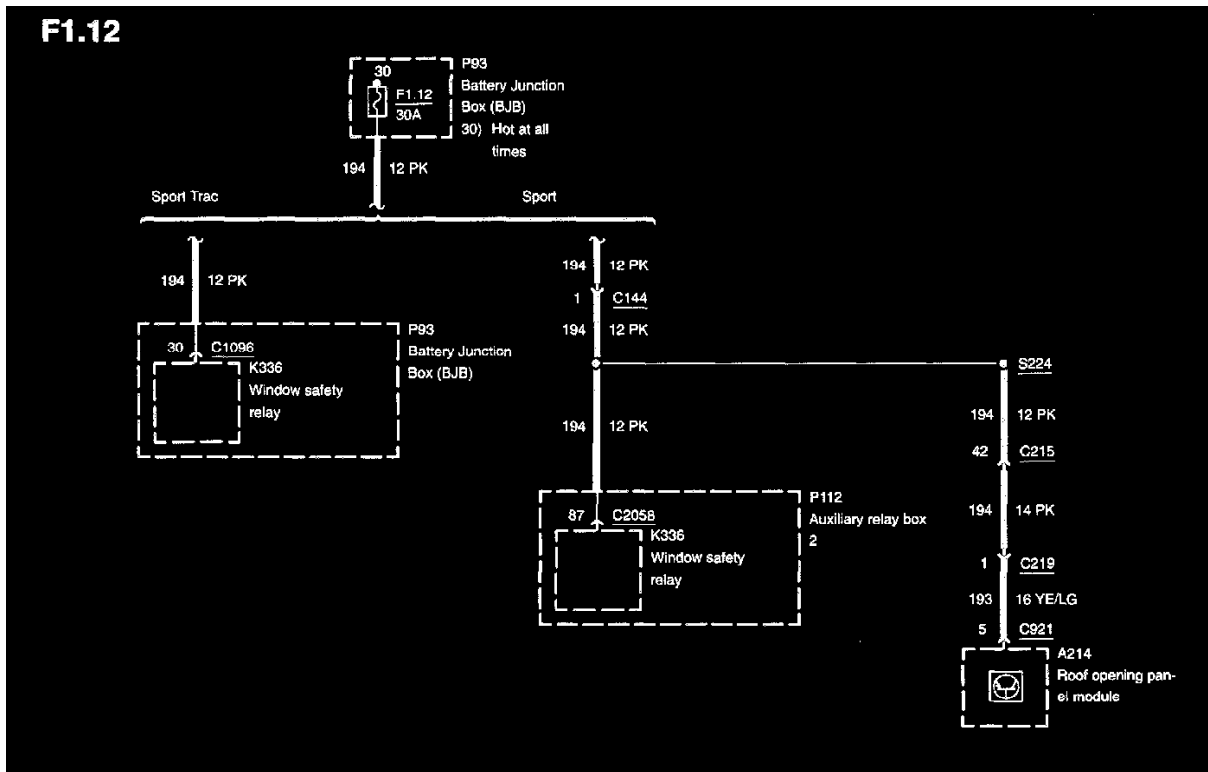


Diagram 700-03-00-2

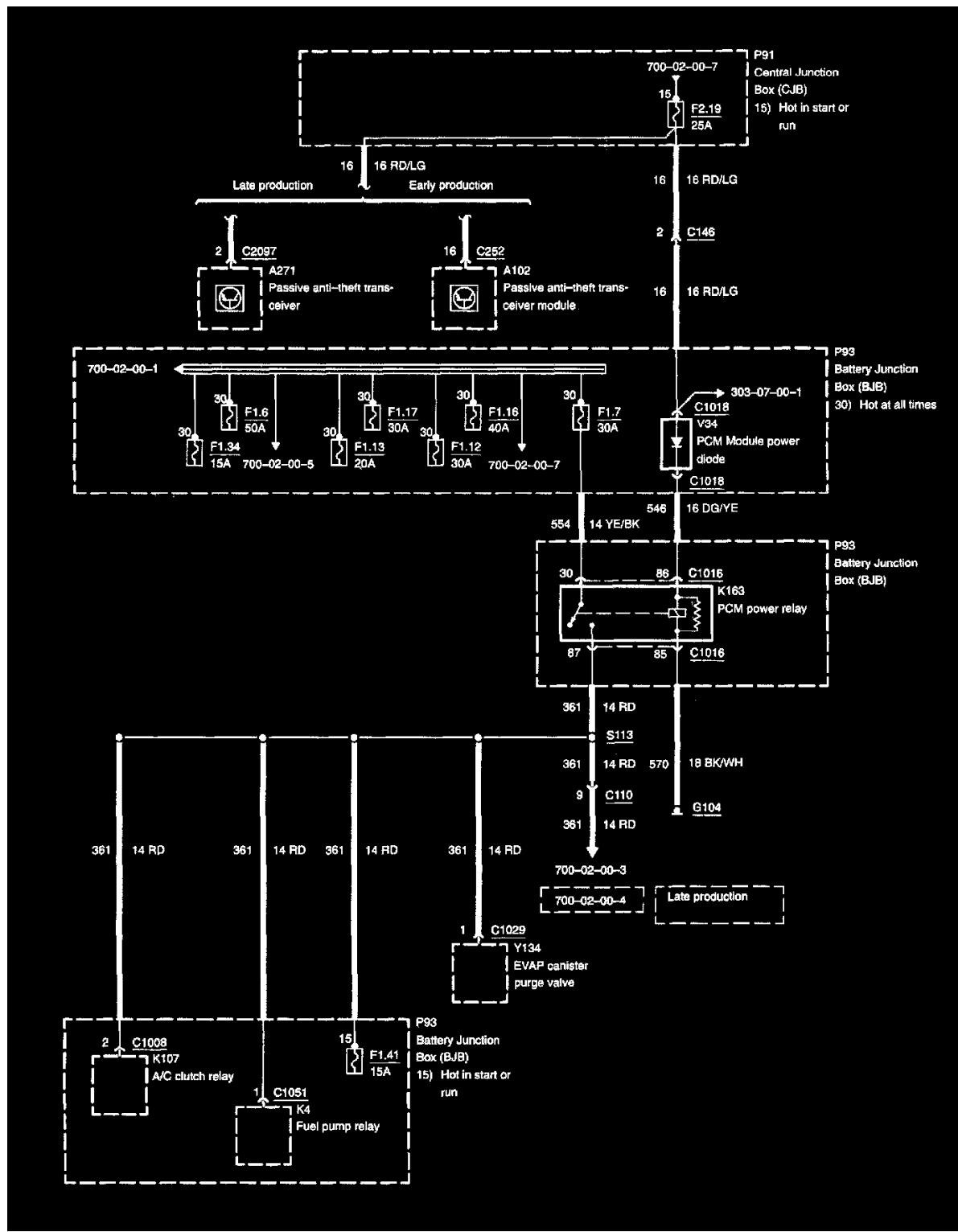


Diagram 700-02-00-2

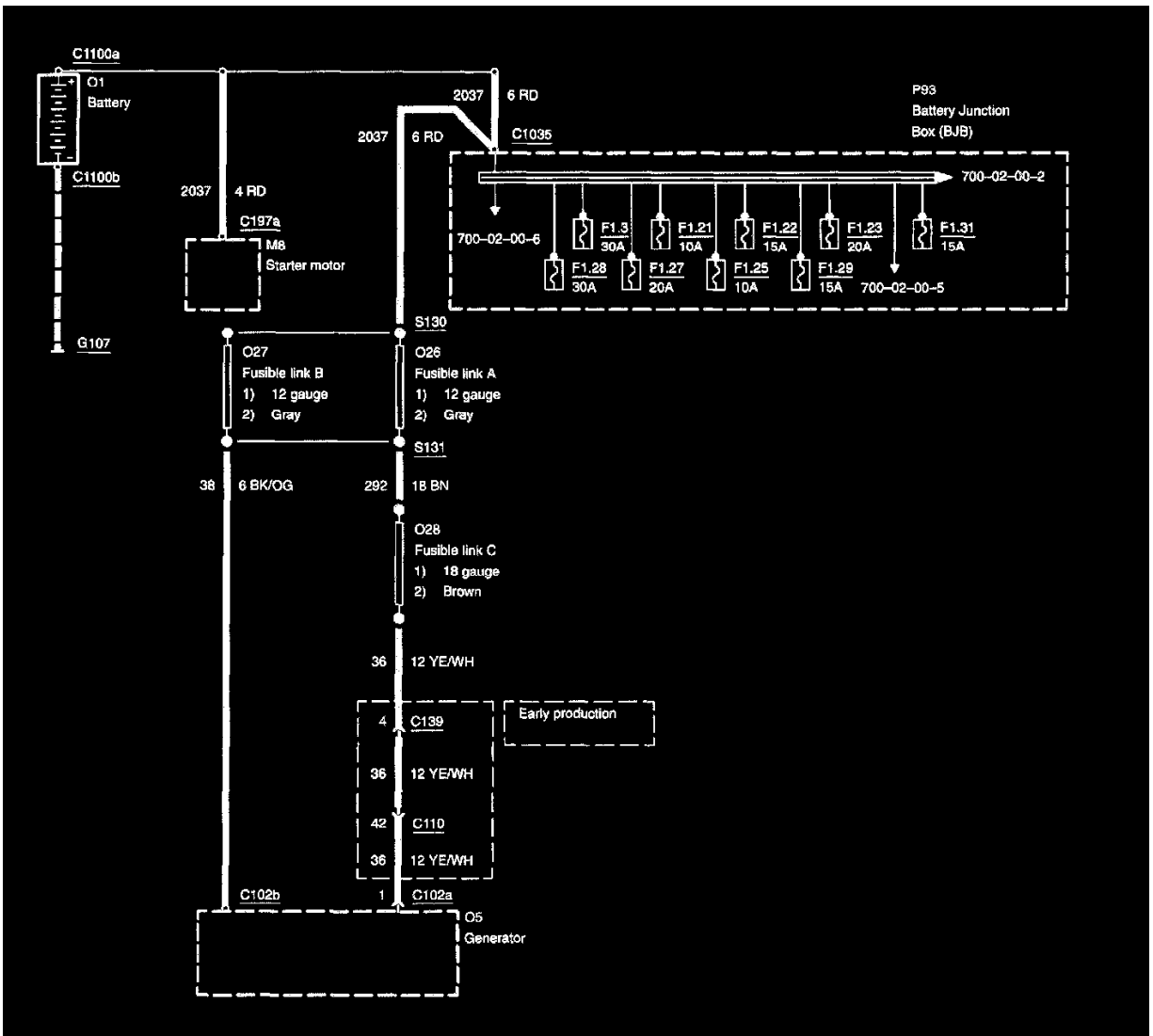


Diagram 700-02-00-1

F1.13

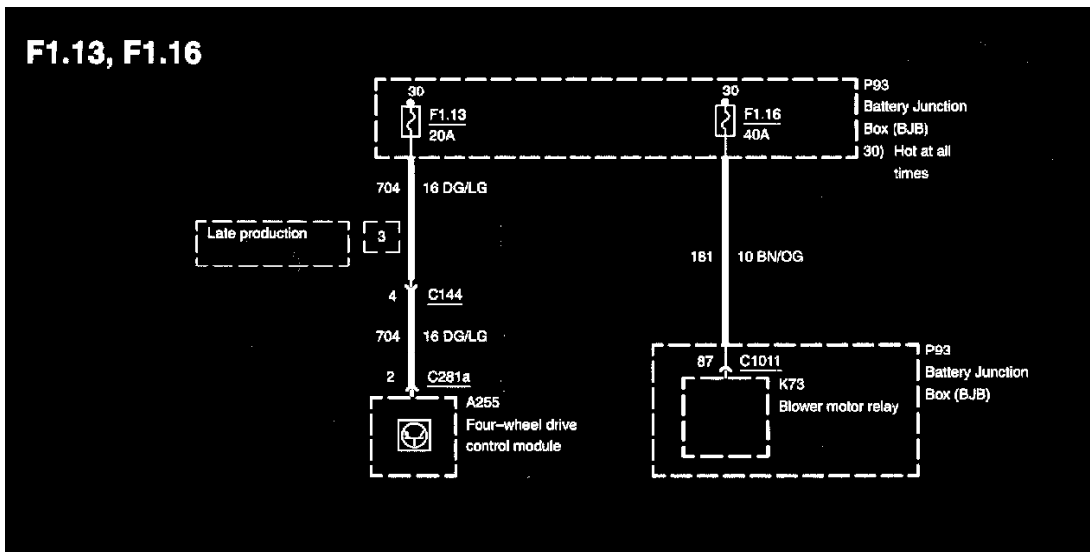


Diagram 700-03-00-3

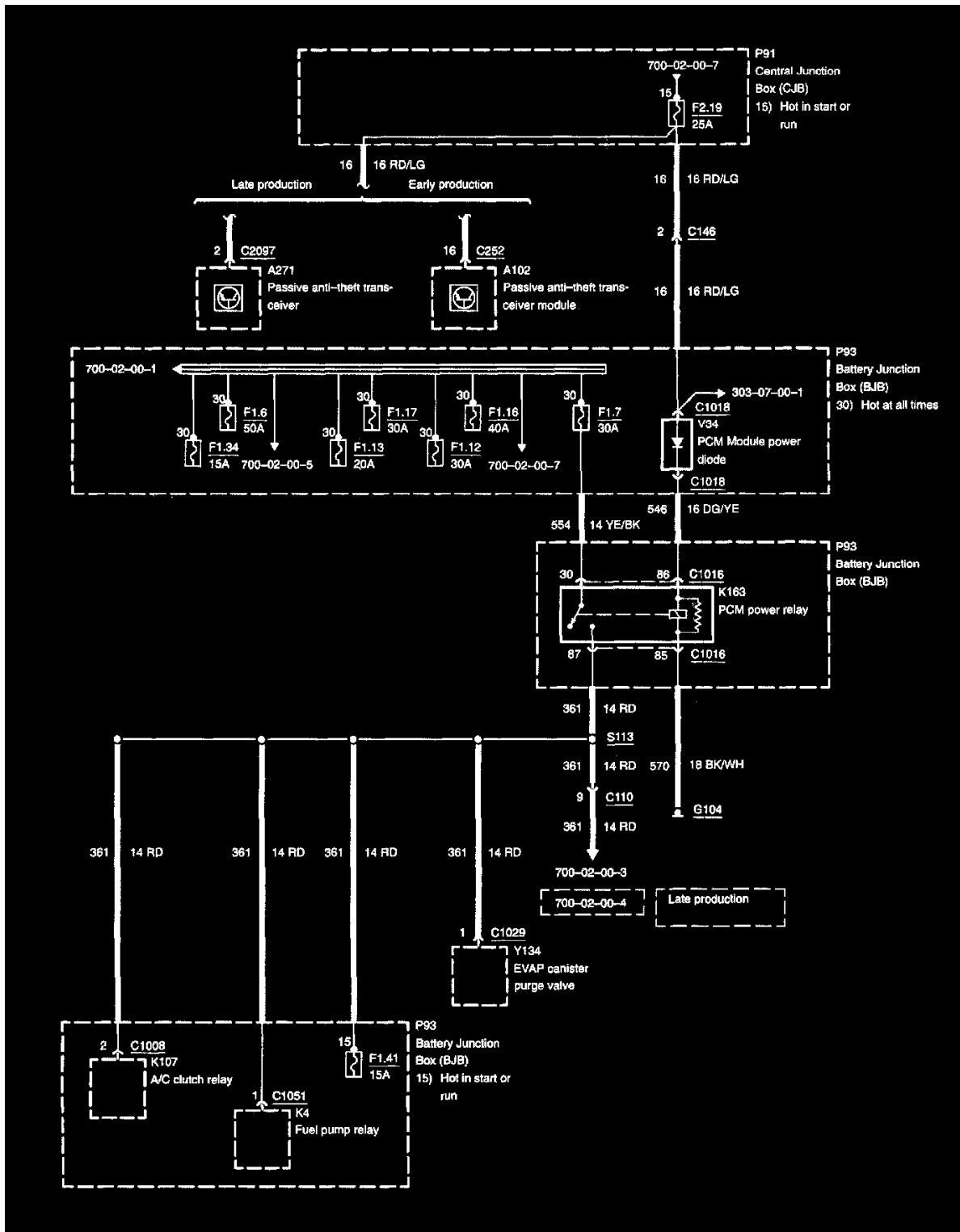


Diagram 700-02-00-2

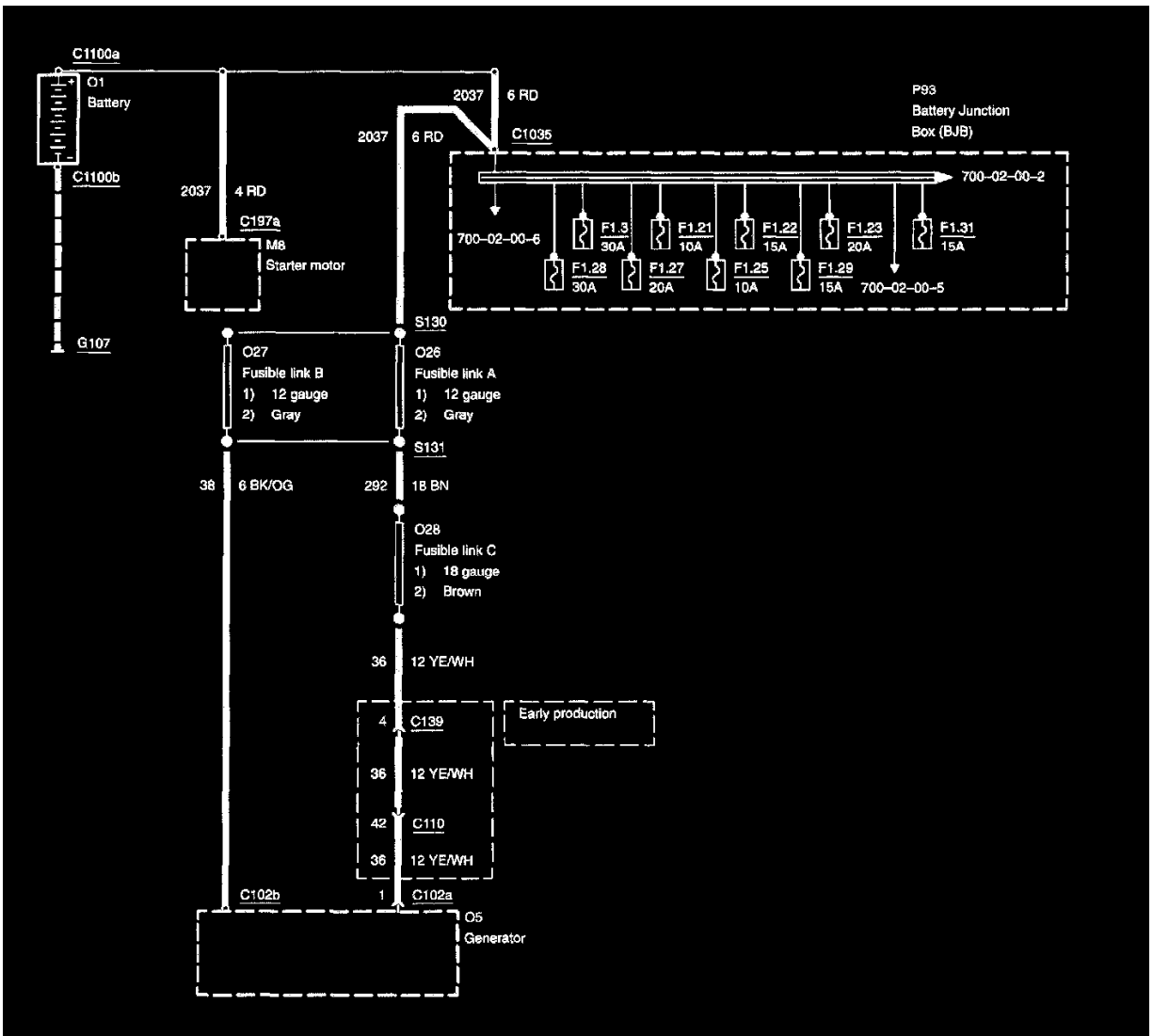


Diagram 700-02-00-1

F1.16

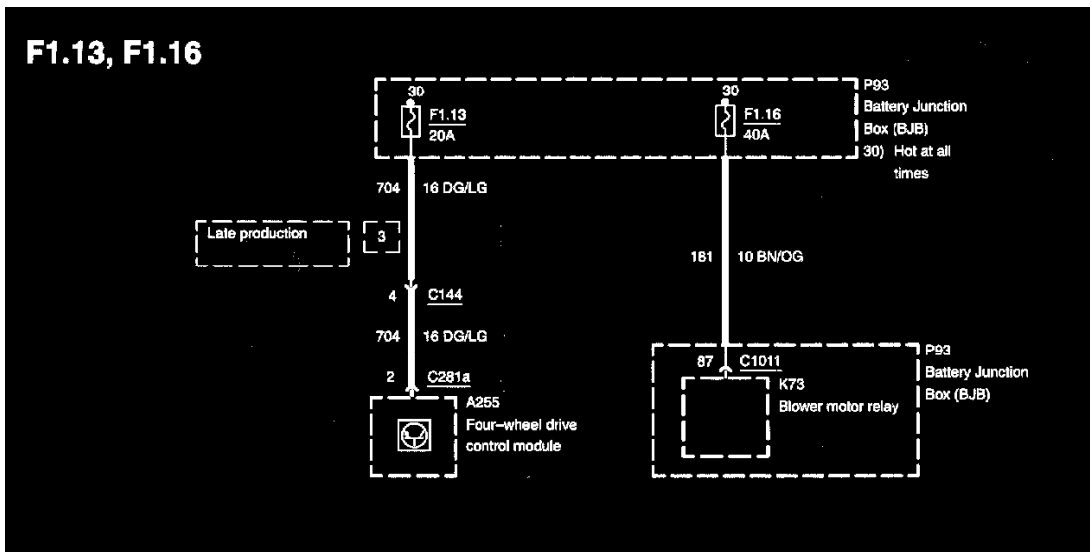


Diagram 700-03-00-3

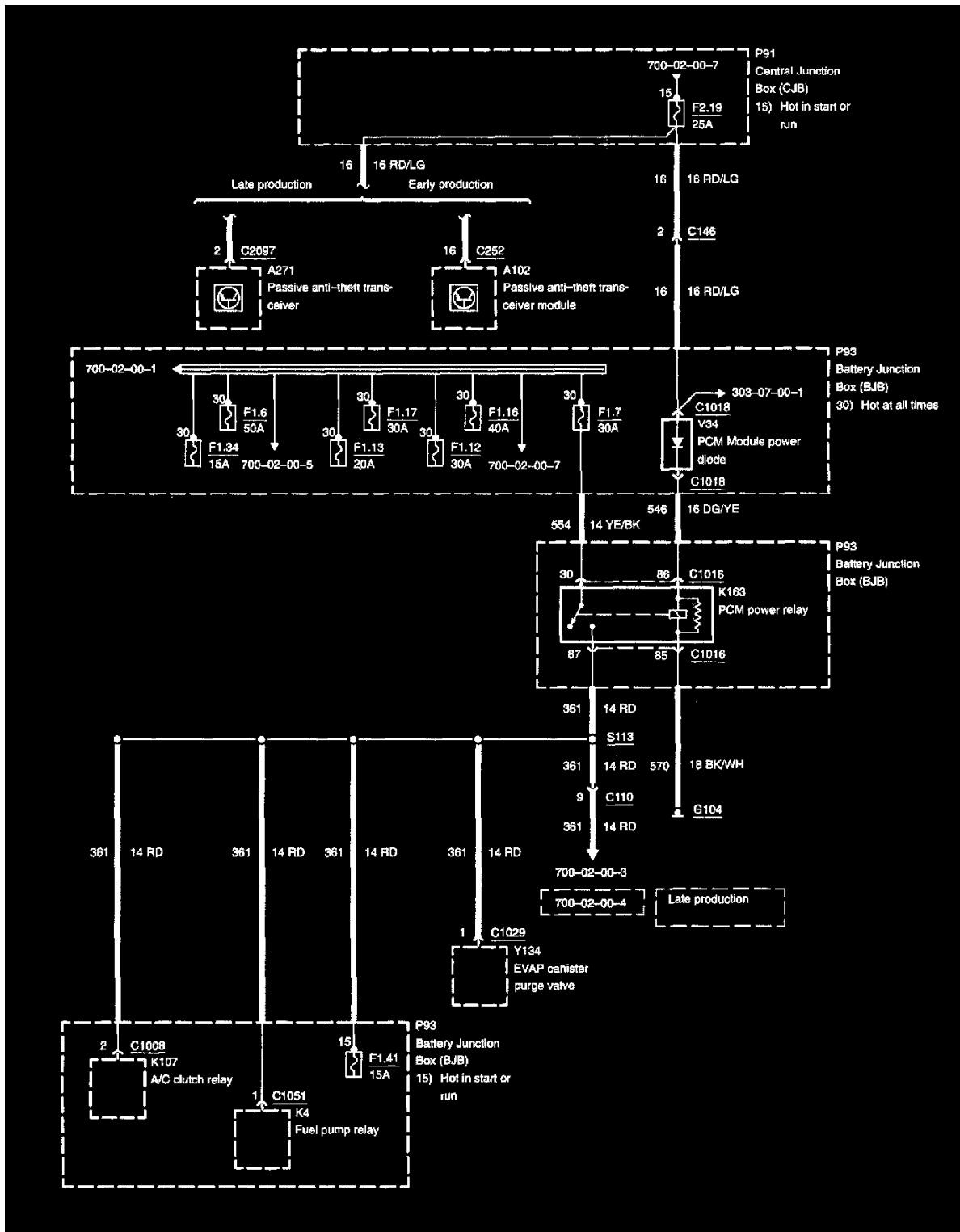


Diagram 700-02-00-2

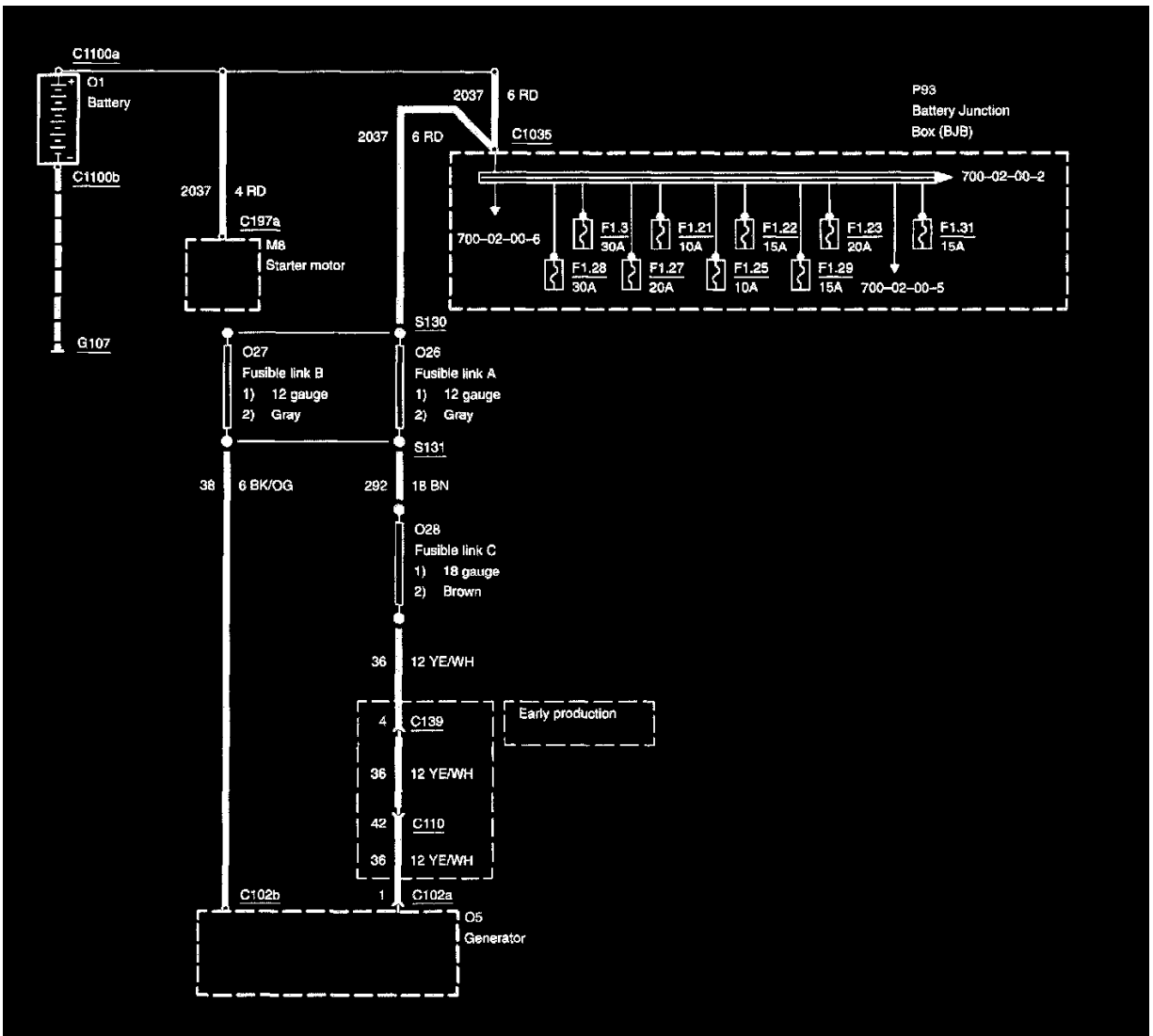


Diagram 700-02-00-1

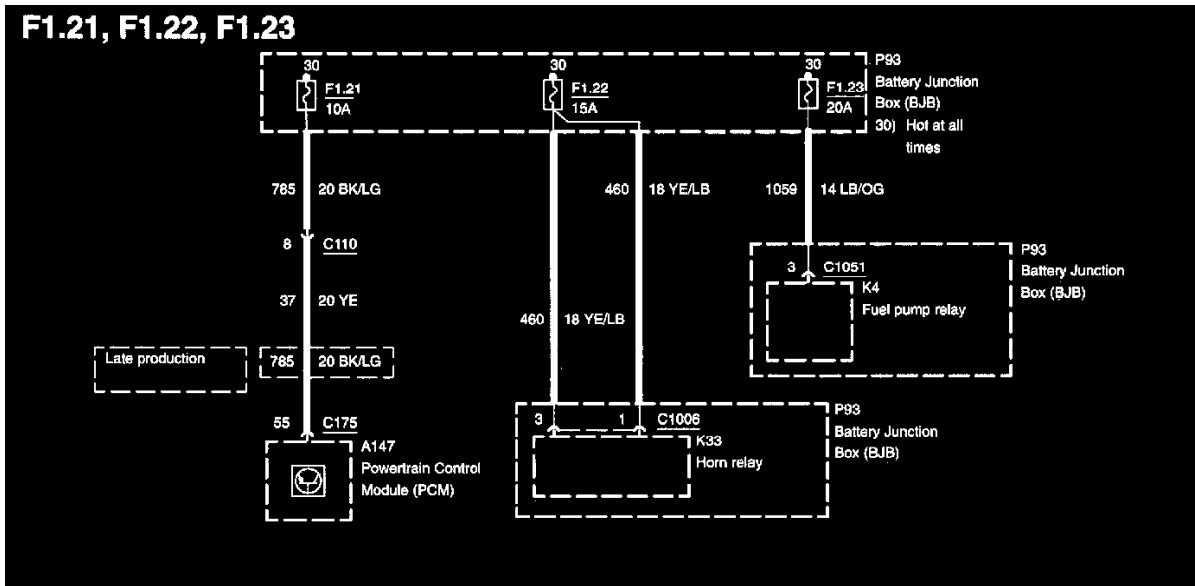


Diagram 700-03-00-4

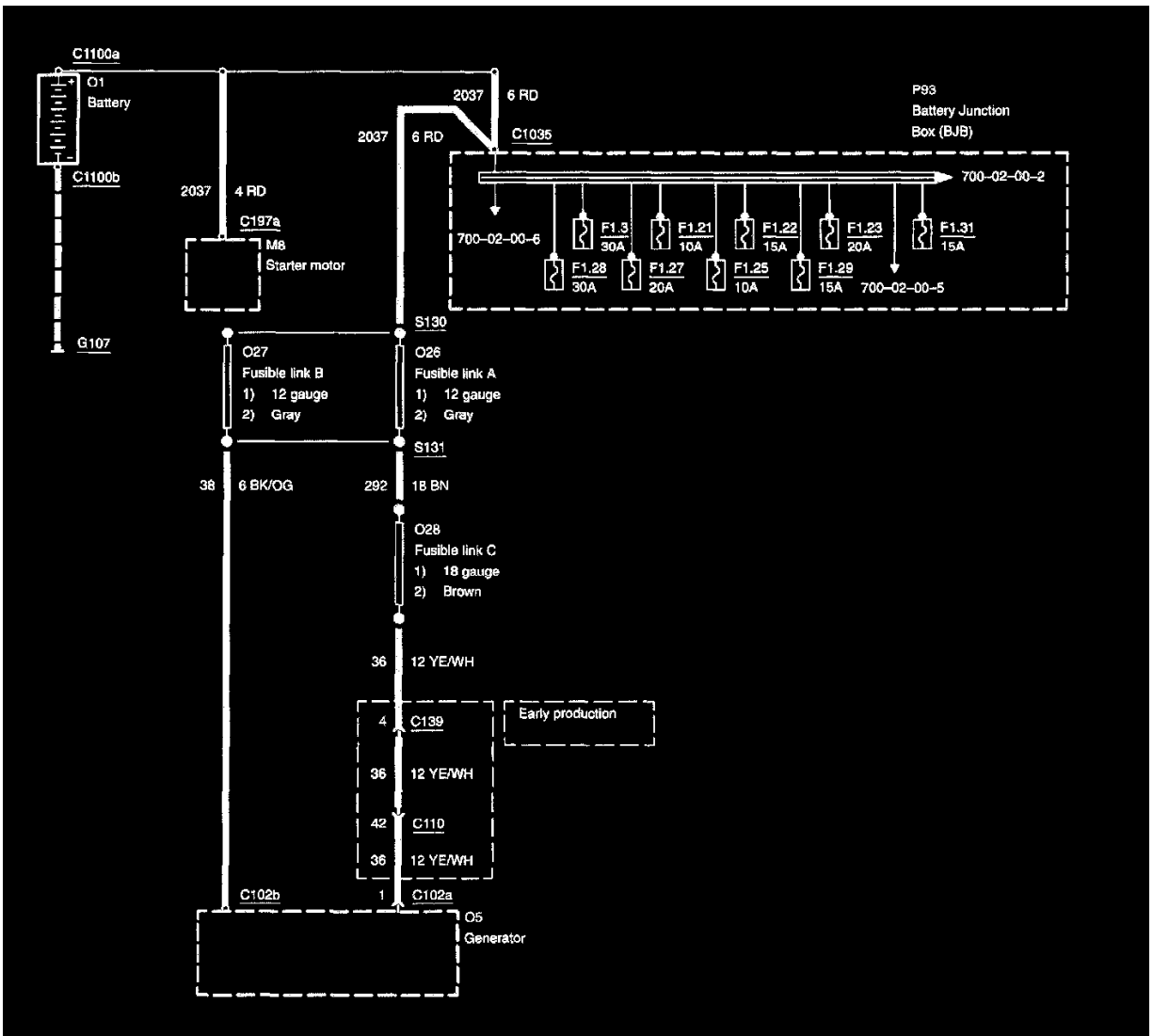


Diagram 700-02-00-1

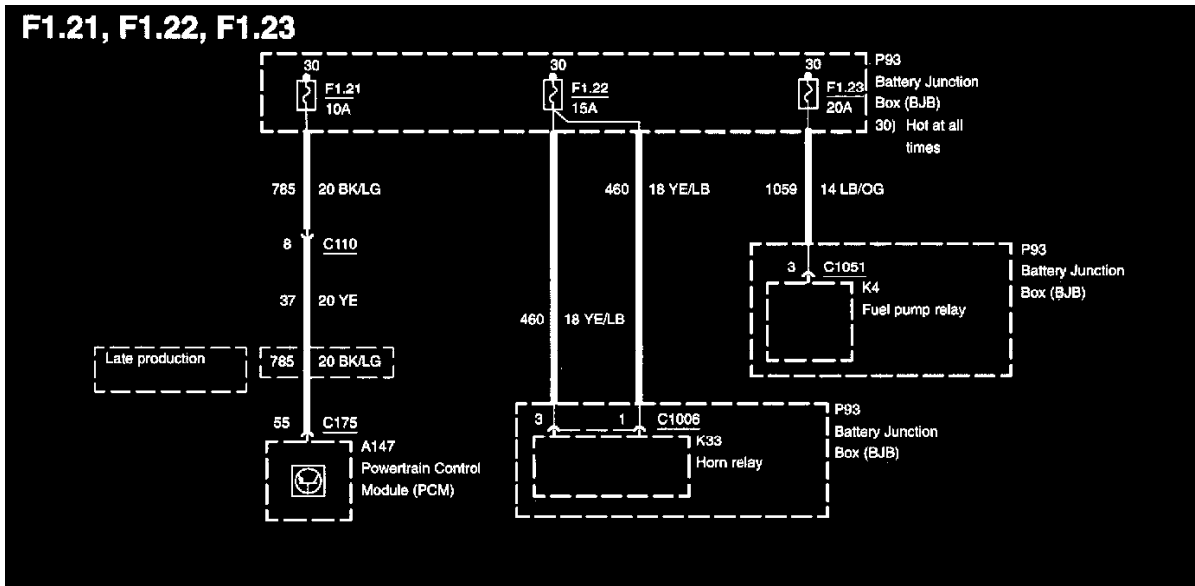


Diagram 700-03-00-4

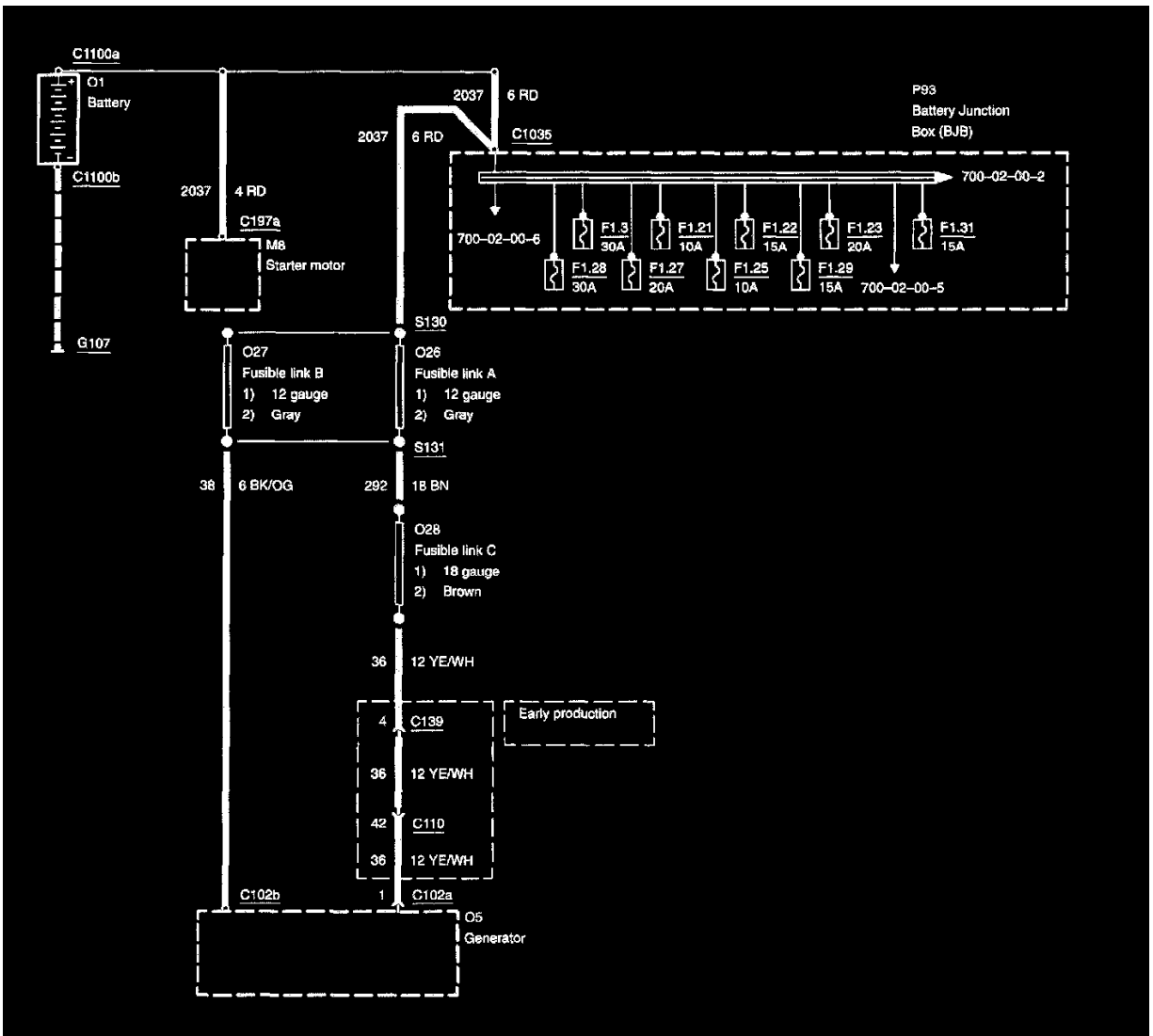


Diagram 700-02-00-1

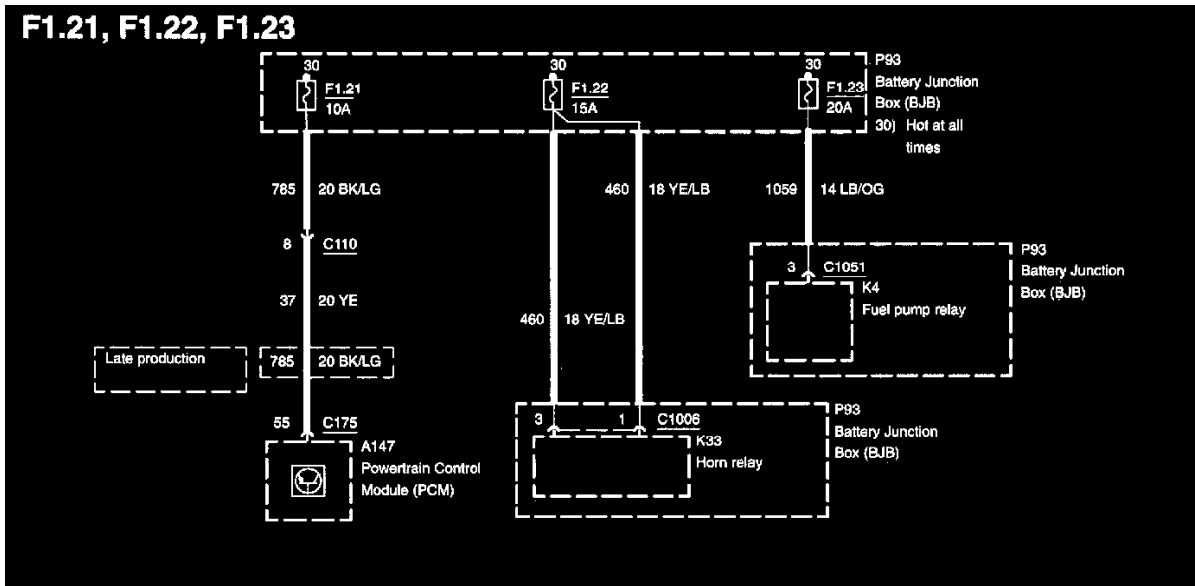


Diagram 700-03-00-4

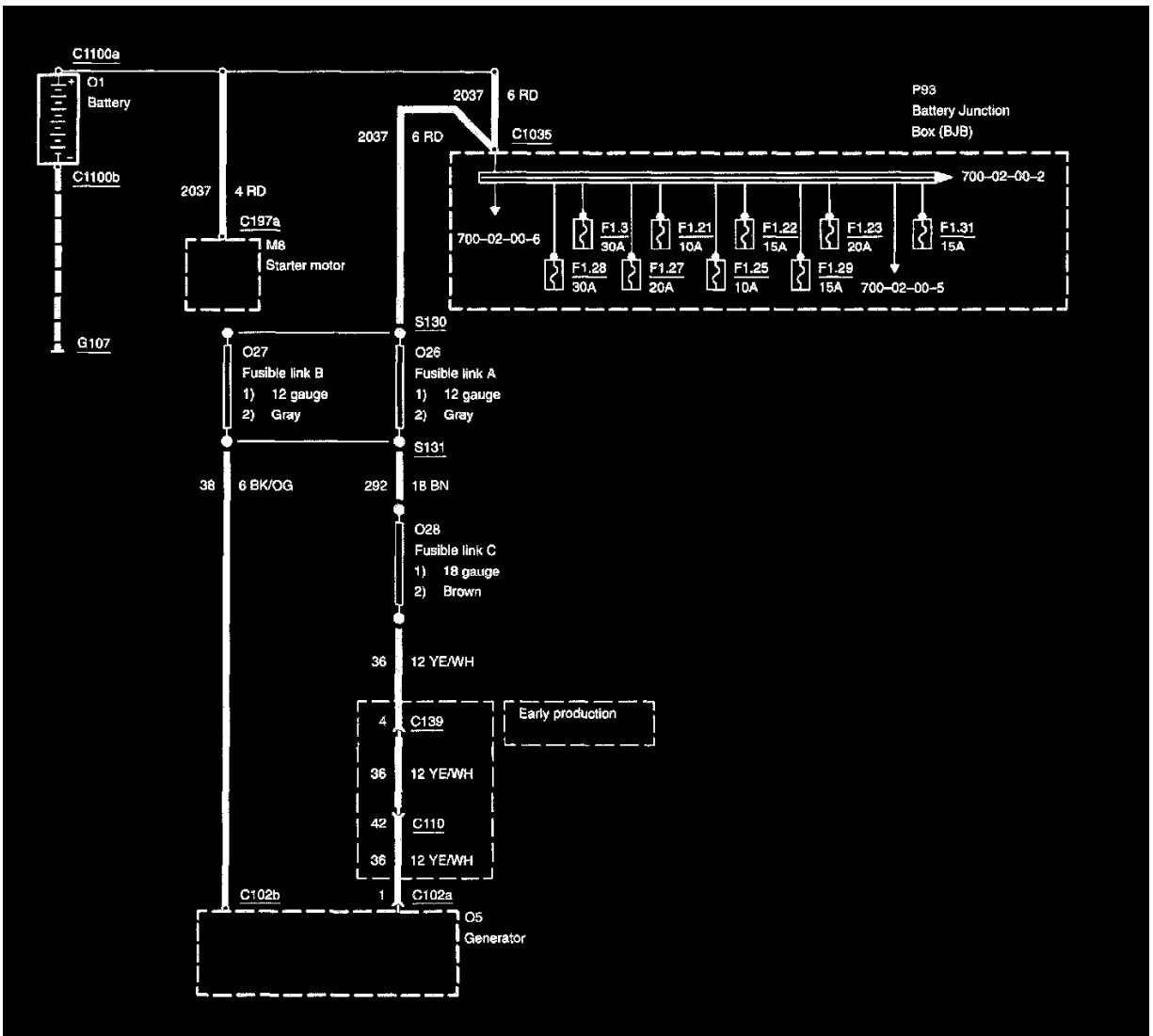


Diagram 700-02-00-1

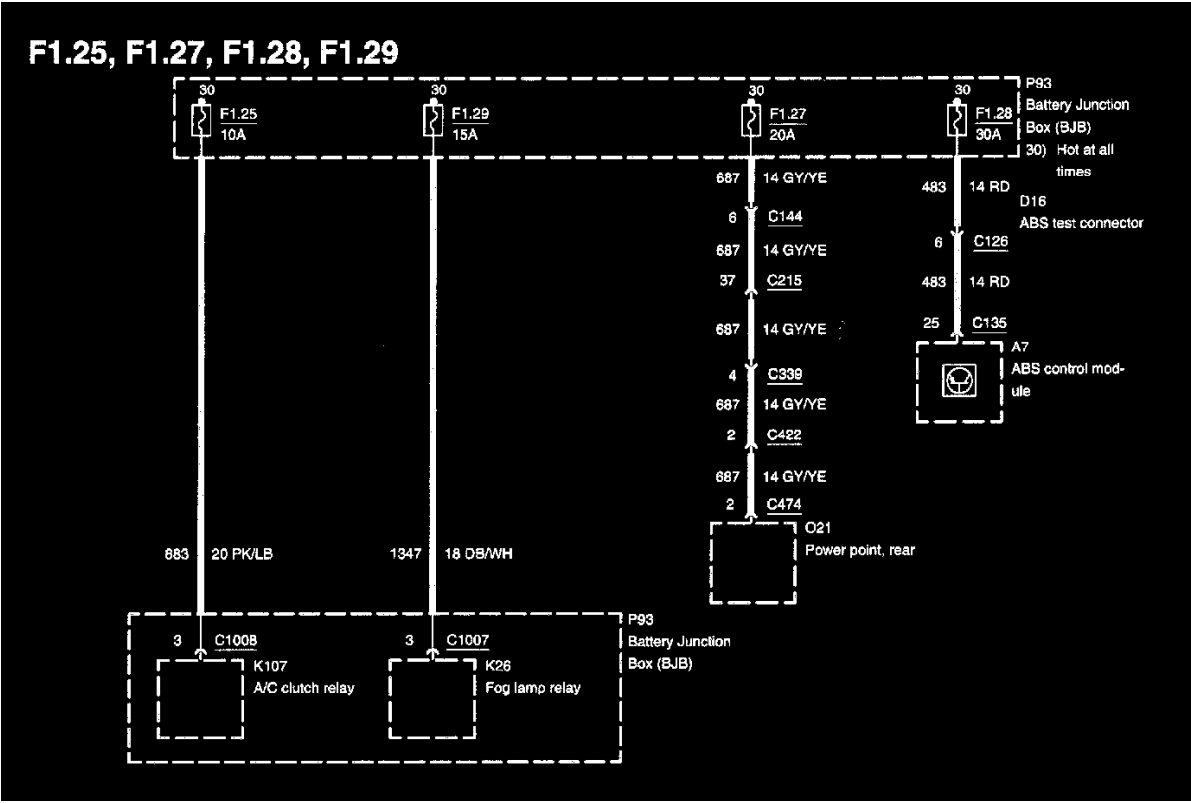


Diagram 700-03-00-5

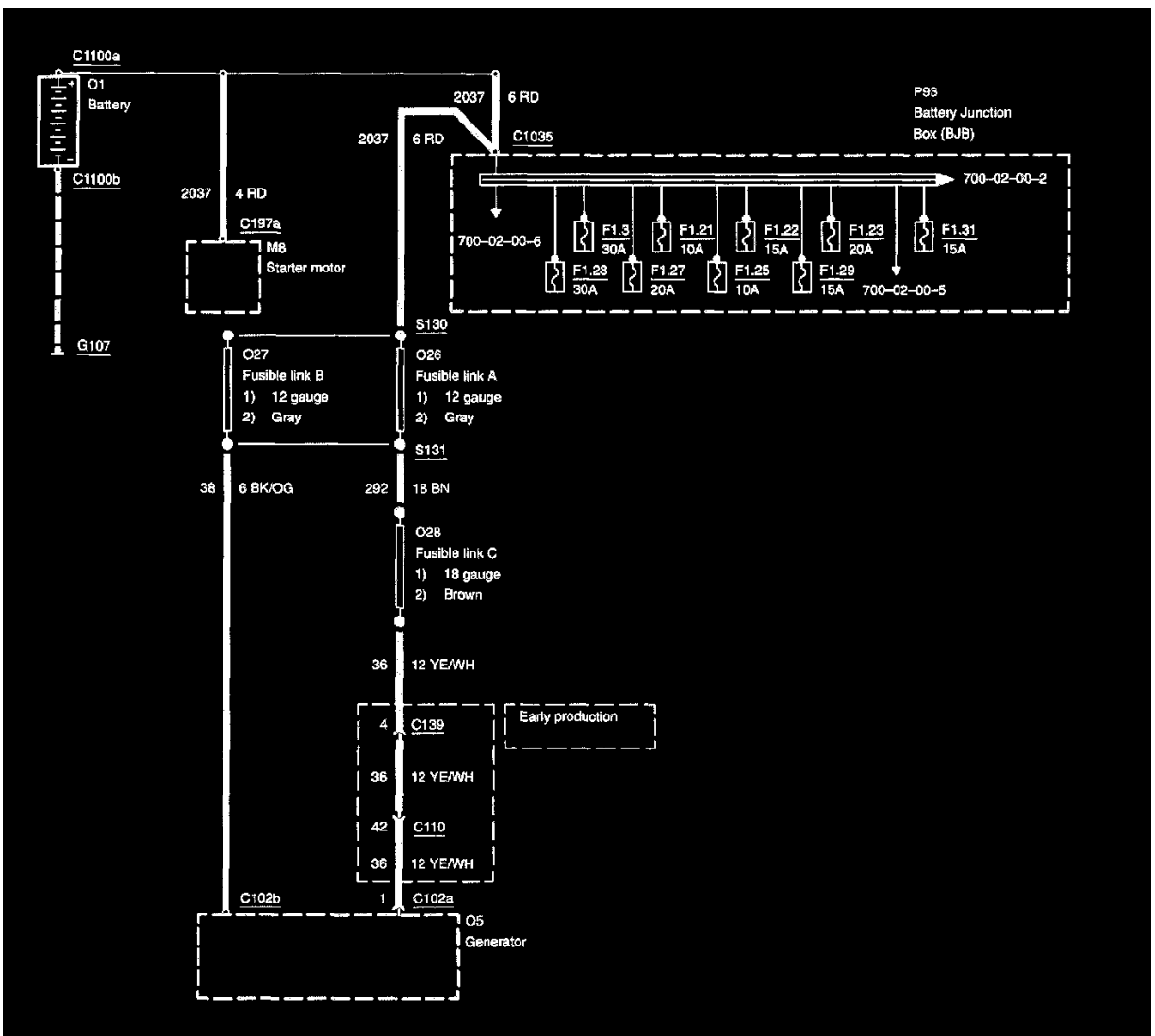


Diagram 700-02-00-1

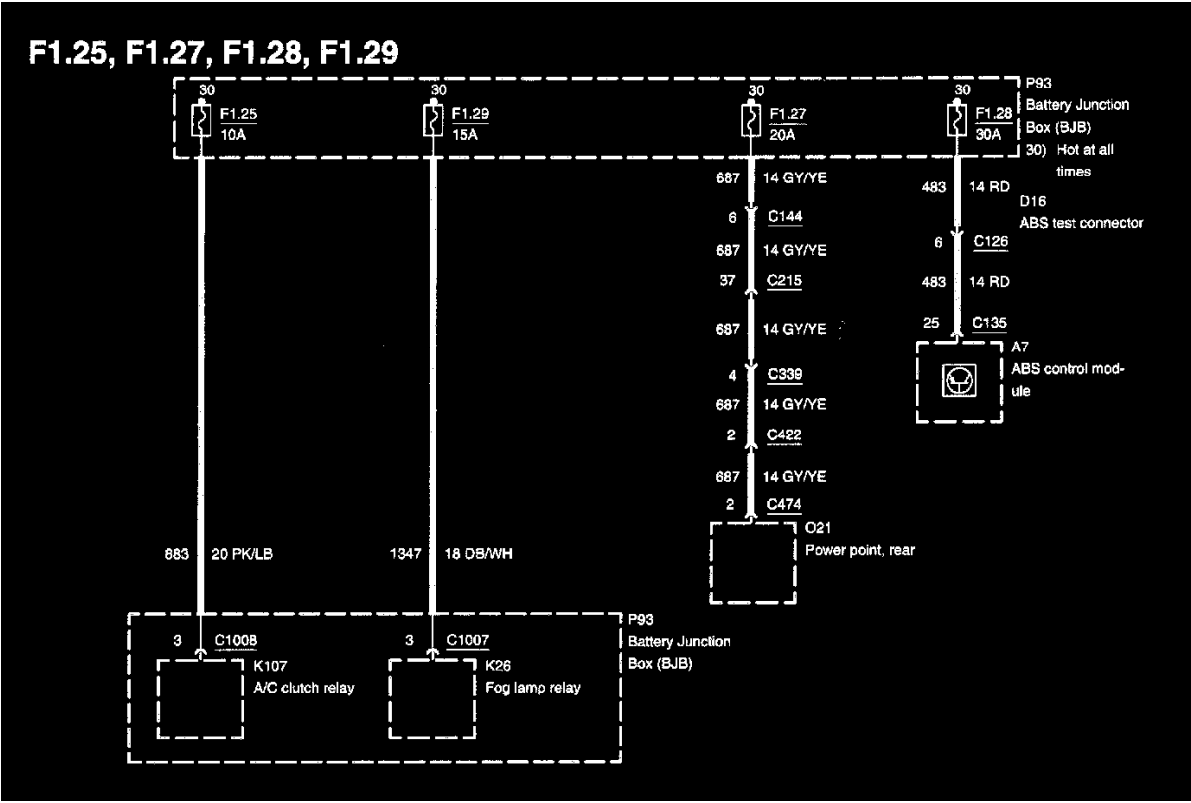


Diagram 700-03-00-5

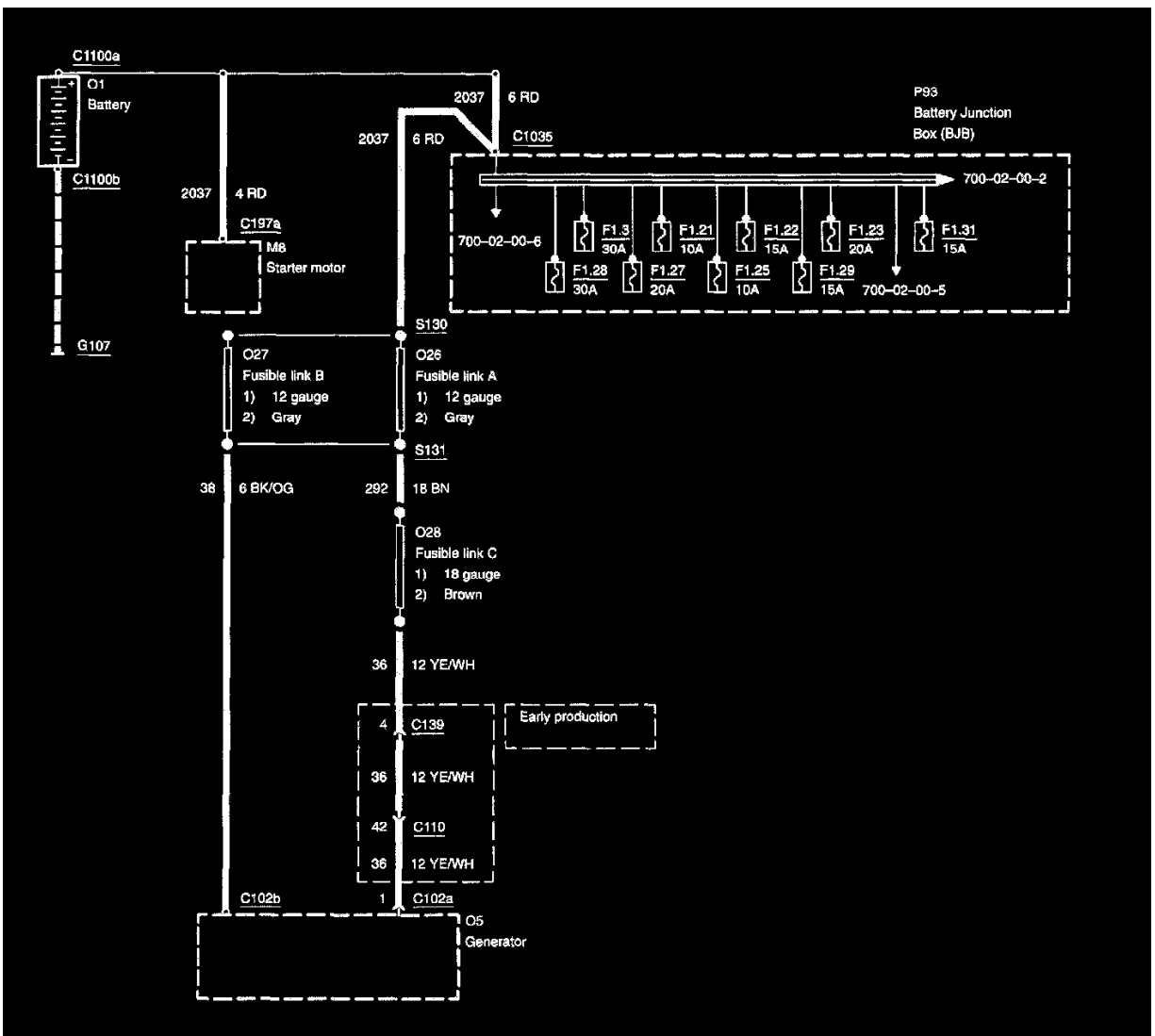


Diagram 700-02-00-1

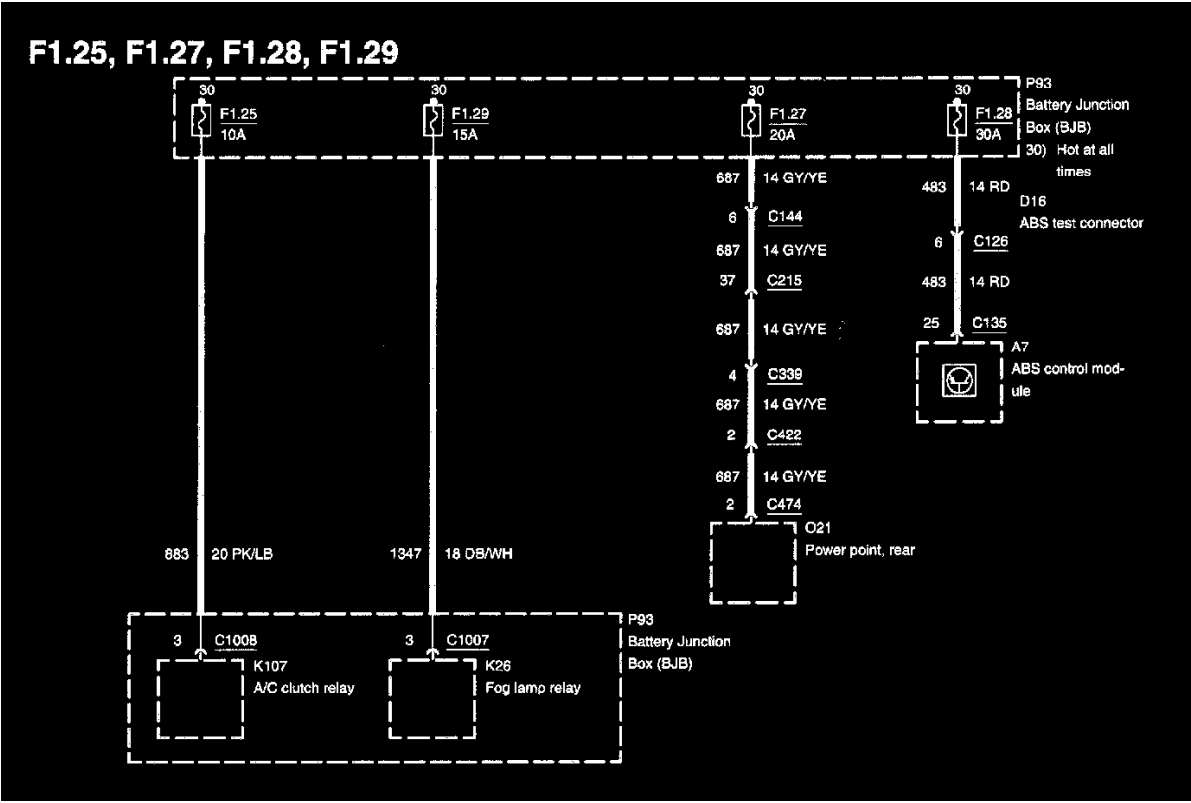


Diagram 700-03-00-5

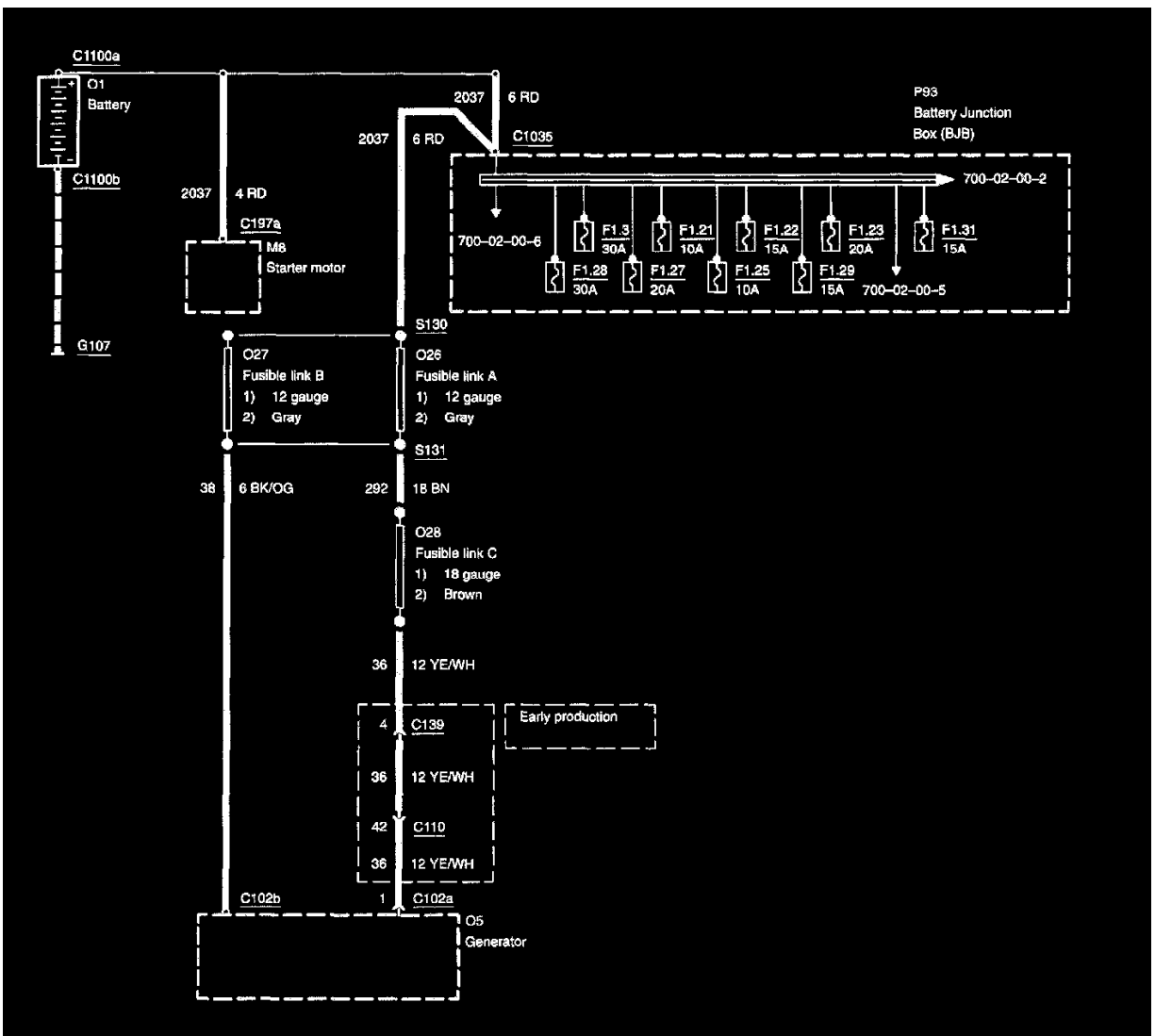


Diagram 700-02-00-1

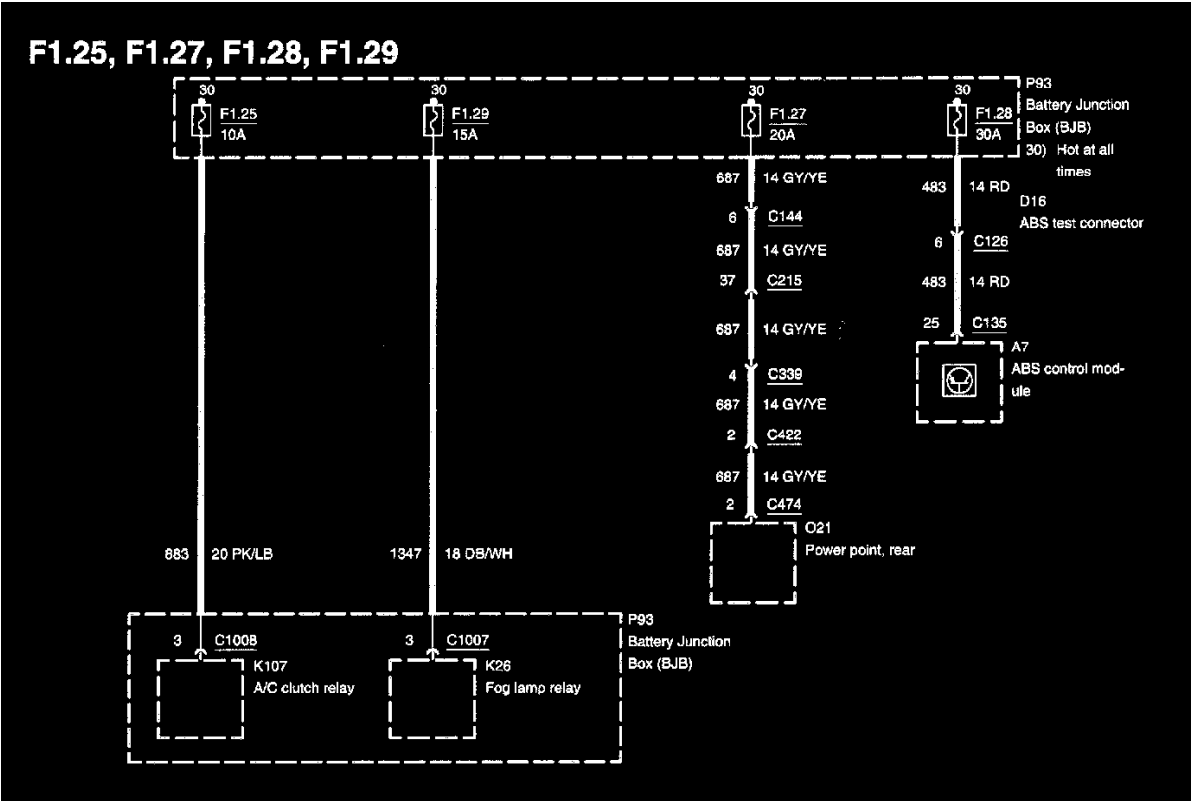


Diagram 700-03-00-5

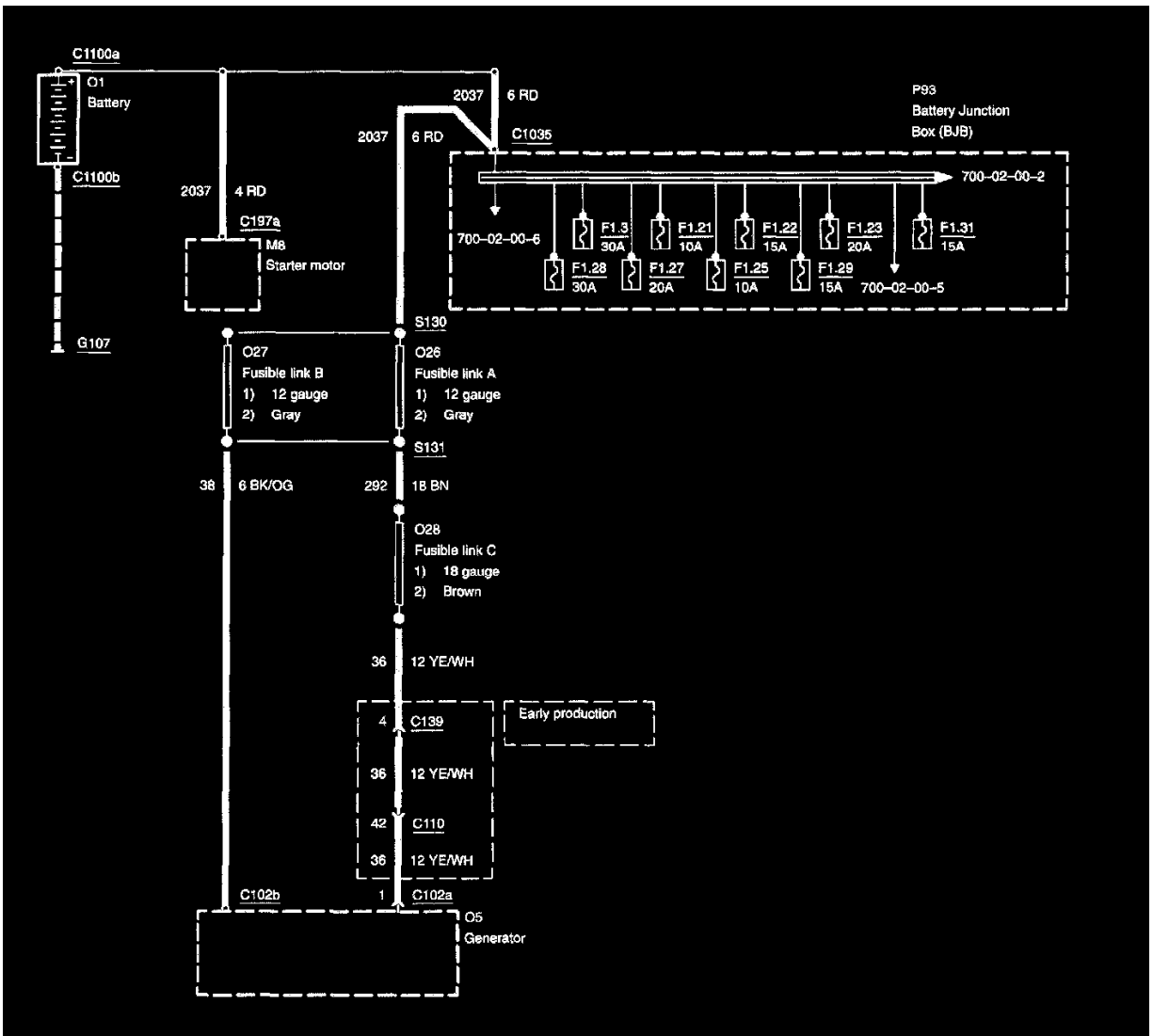


Diagram 700-02-00-1

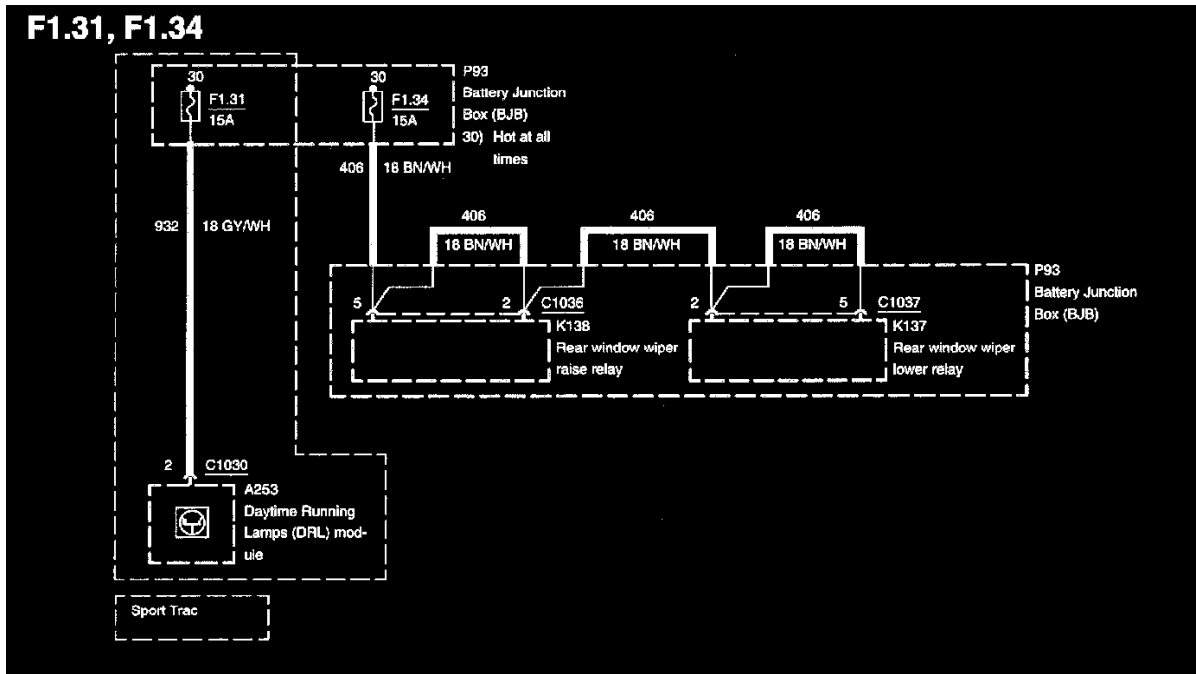


Diagram 700-03-00-6

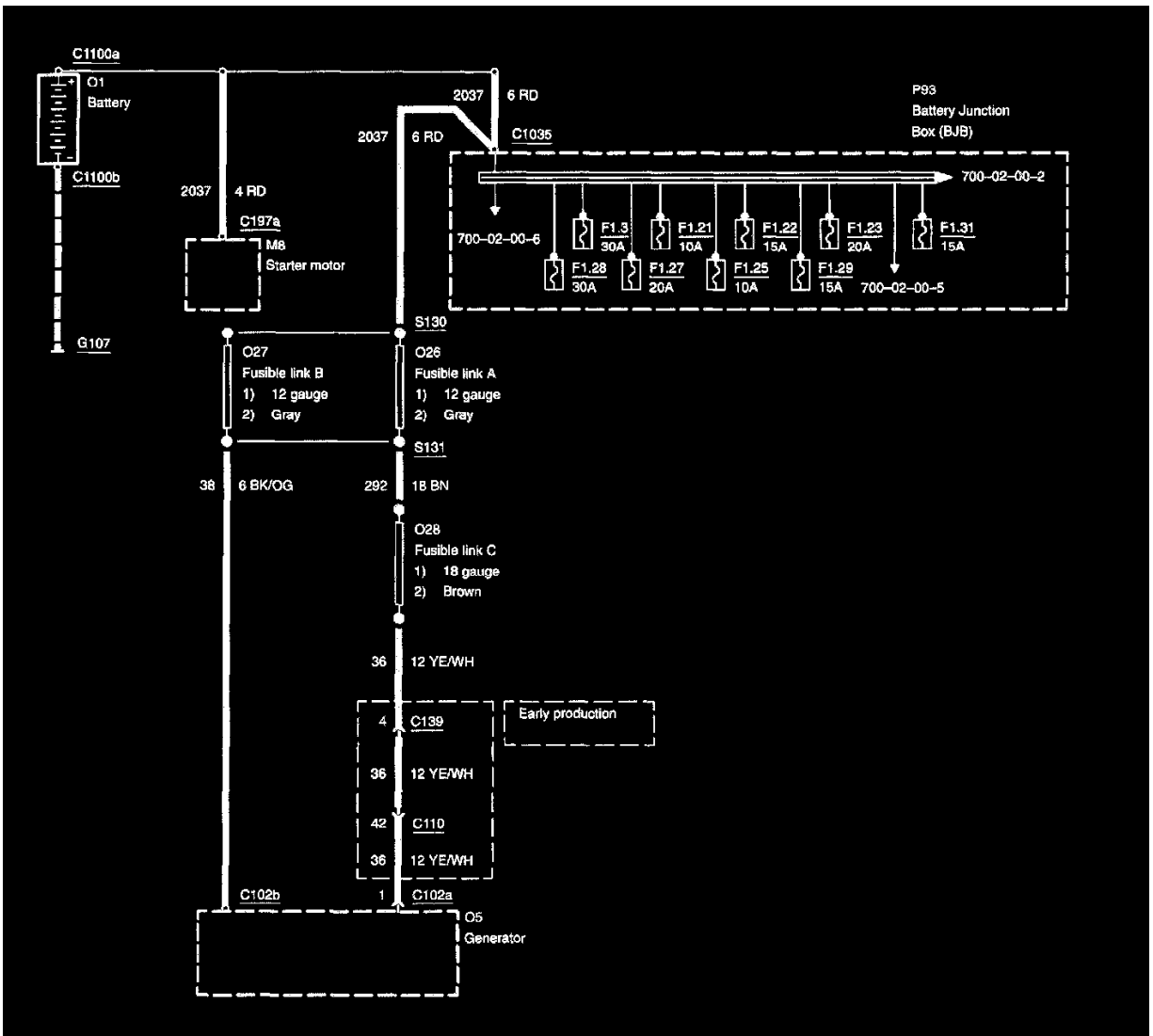


Diagram 700-02-00-1

F1.33

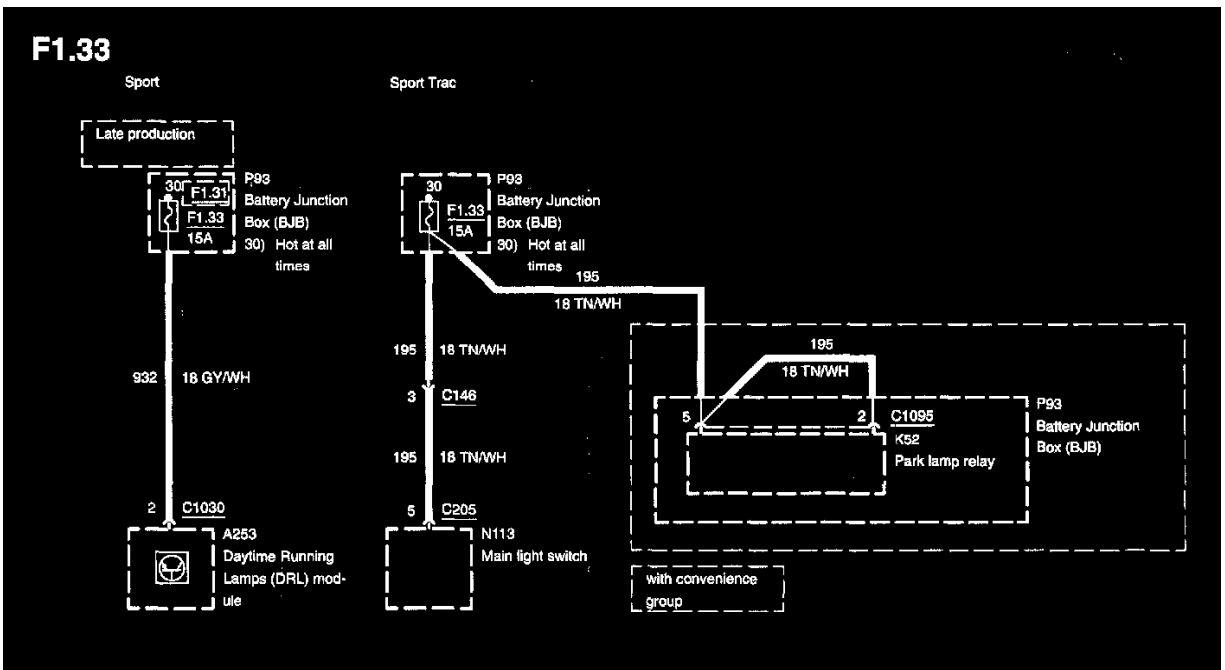


Diagram 700-03-00-7

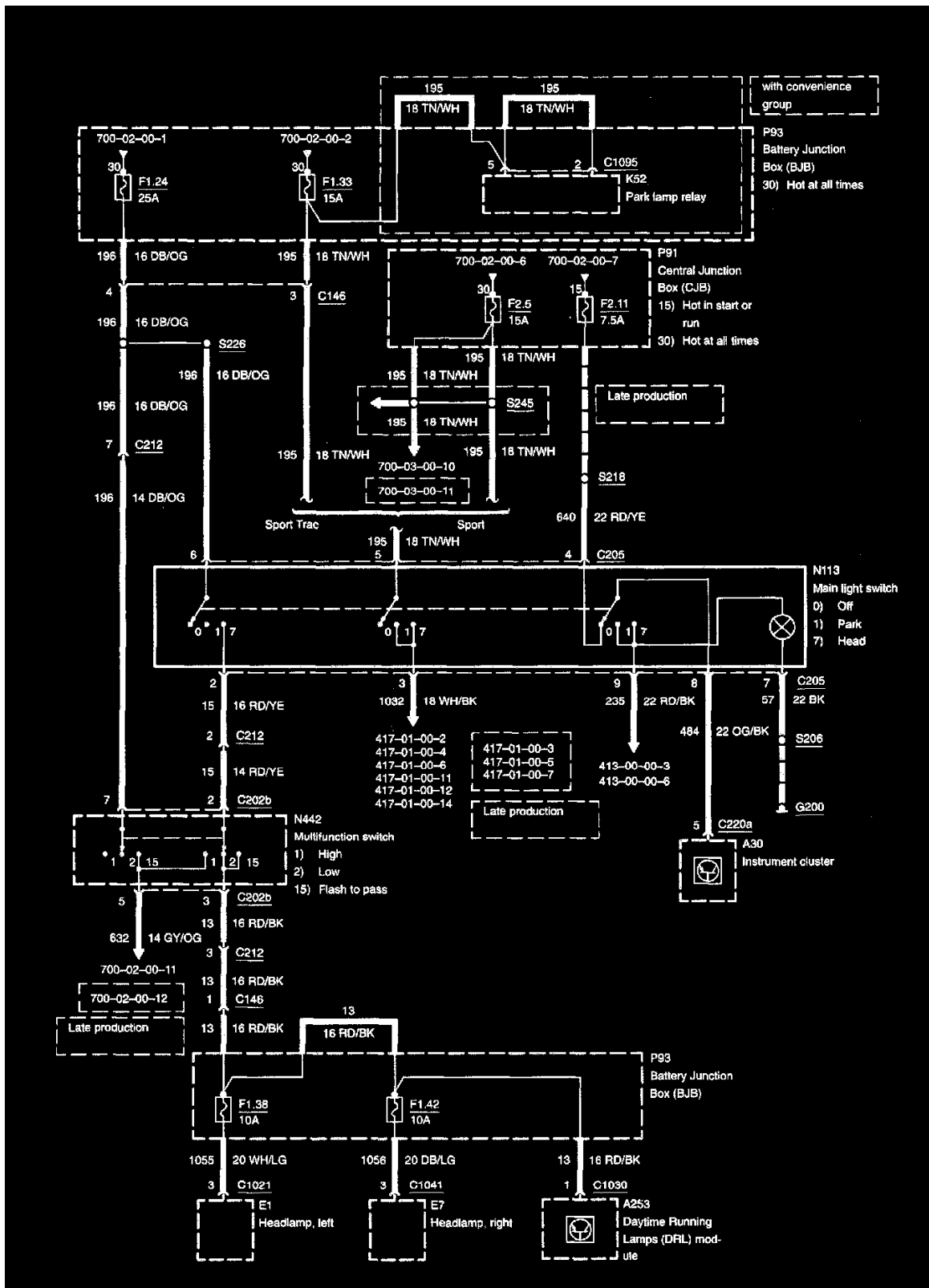


Diagram 700-02-00-5

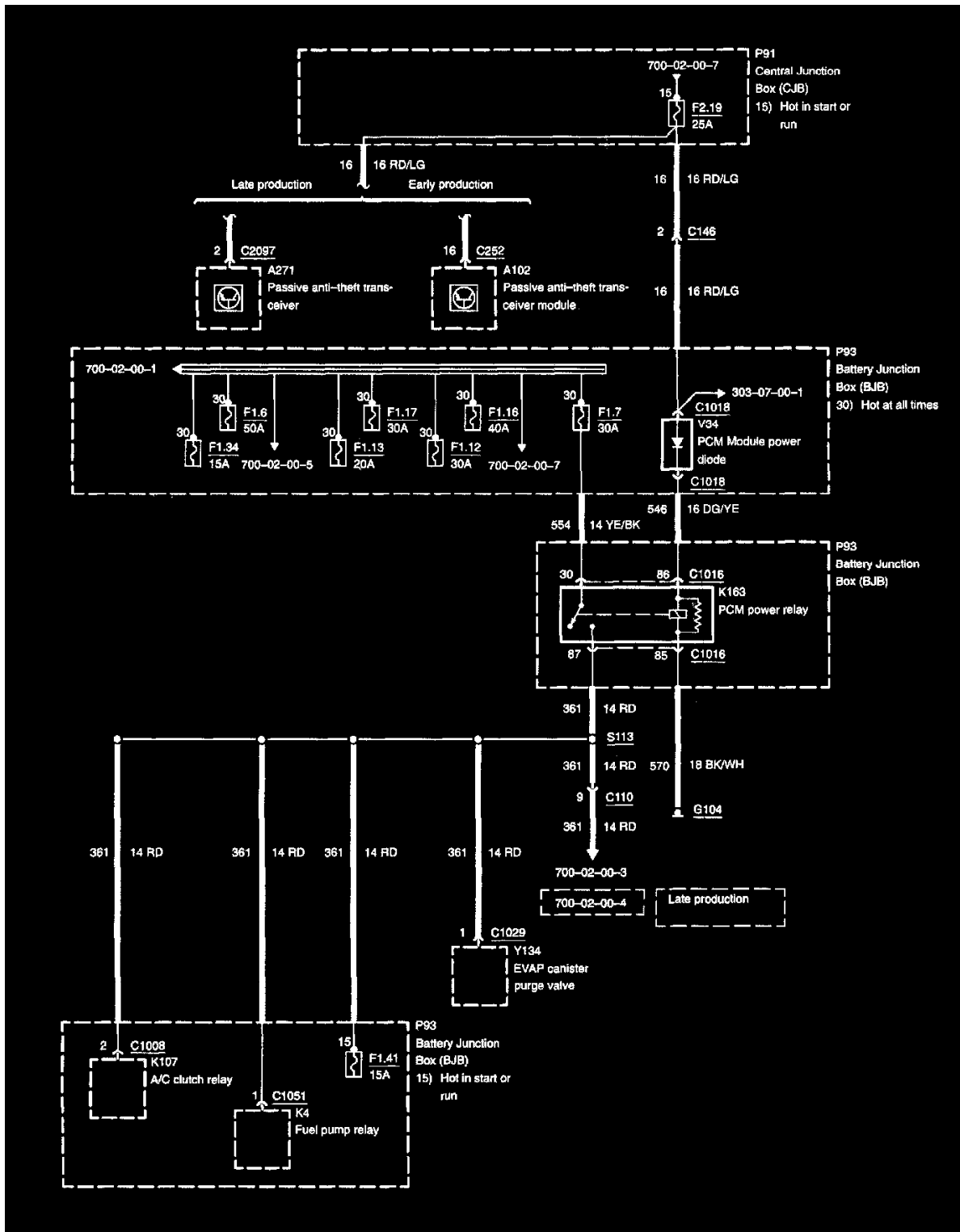


Diagram 700-02-00-2

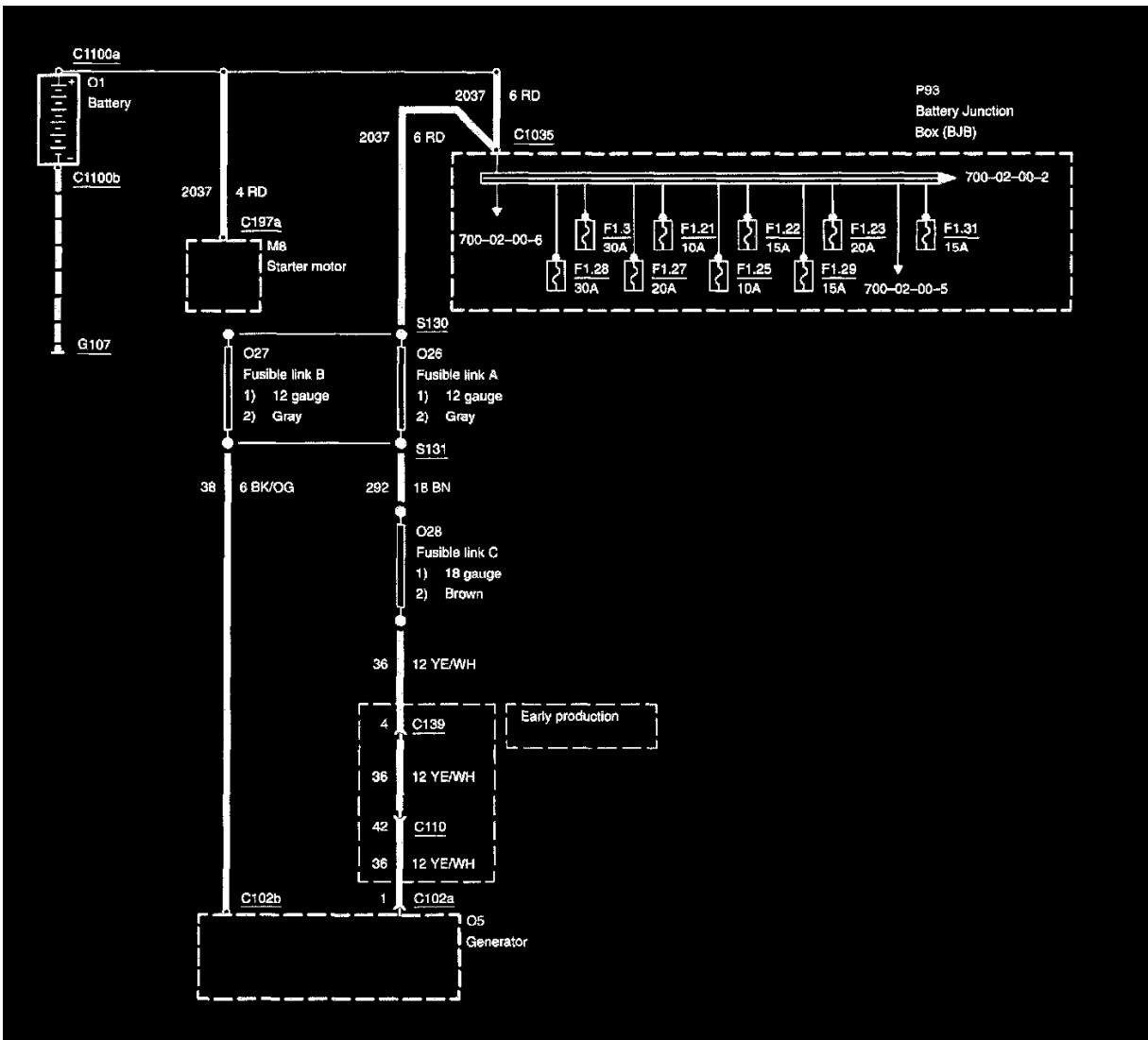


Diagram 700-02-00-1

F1.34

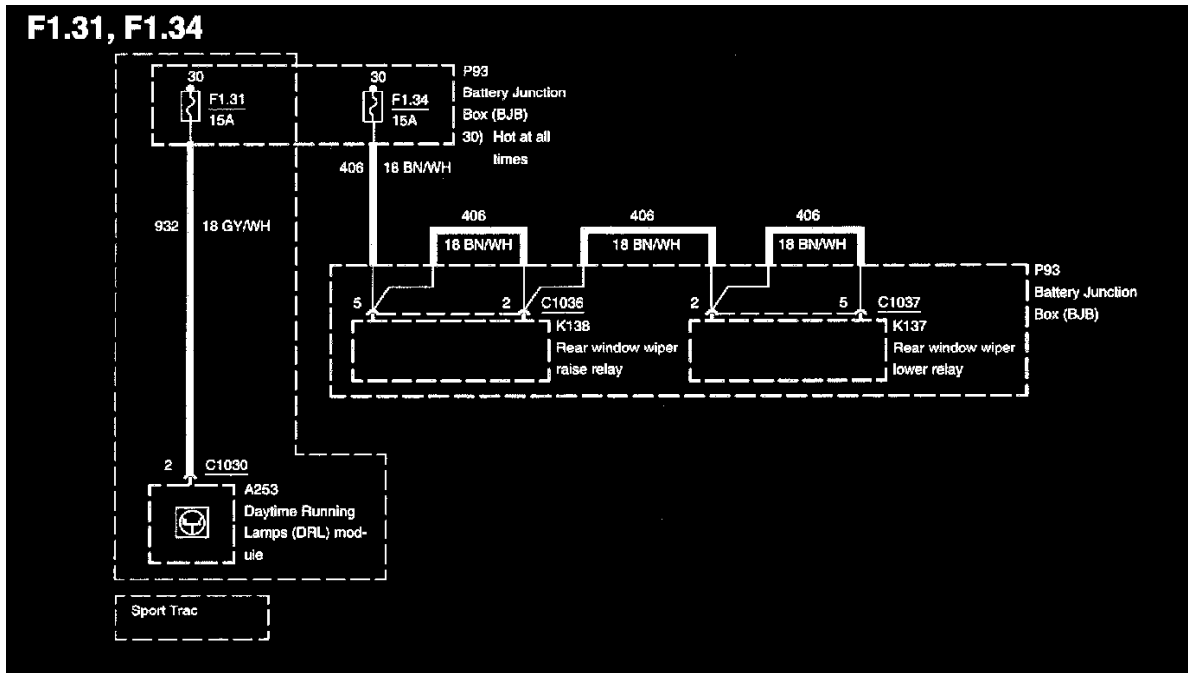


Diagram 700-03-00-6

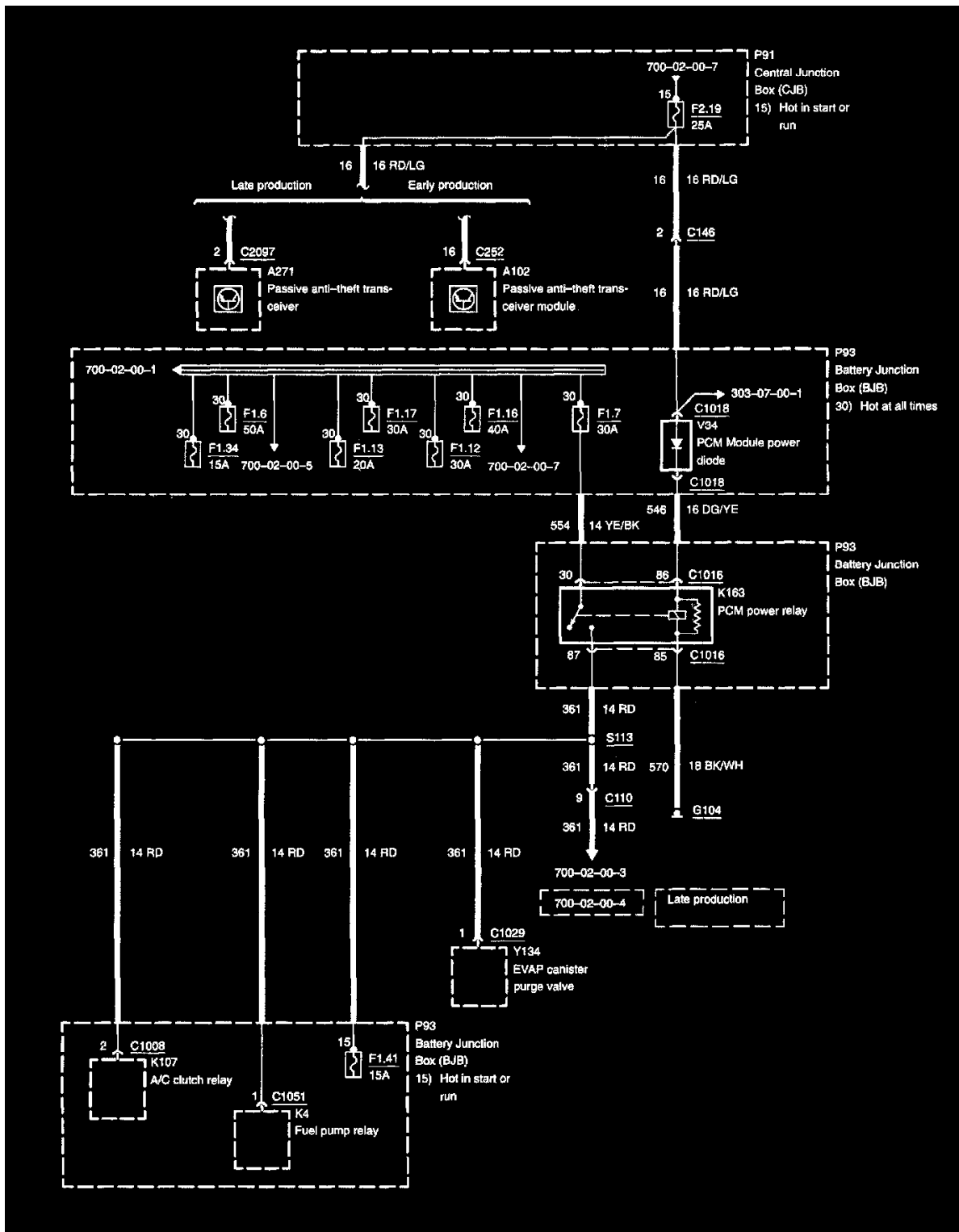


Diagram 700-02-00-2

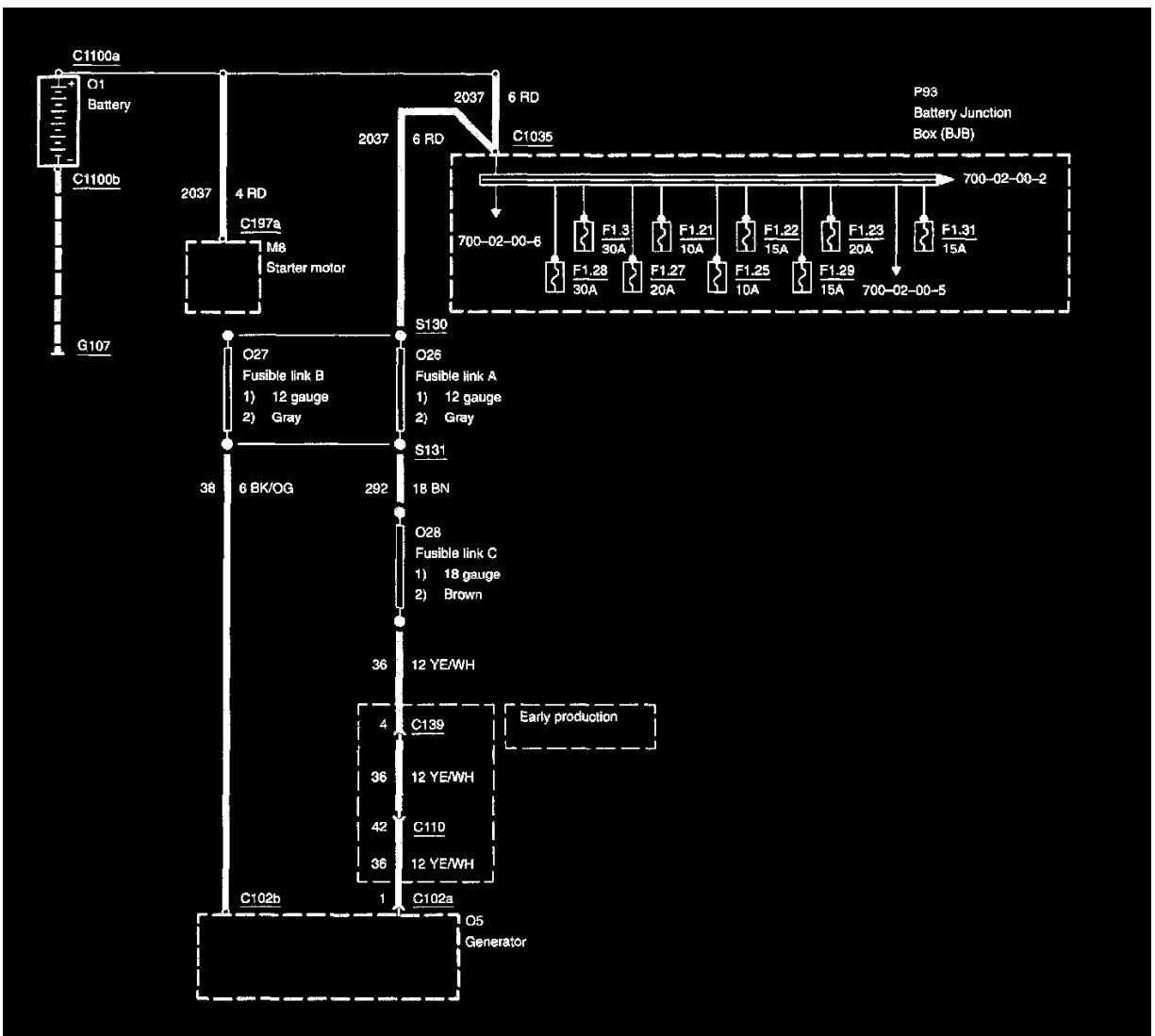


Diagram 700-02-00-1

F1.41

F1.41, Early production

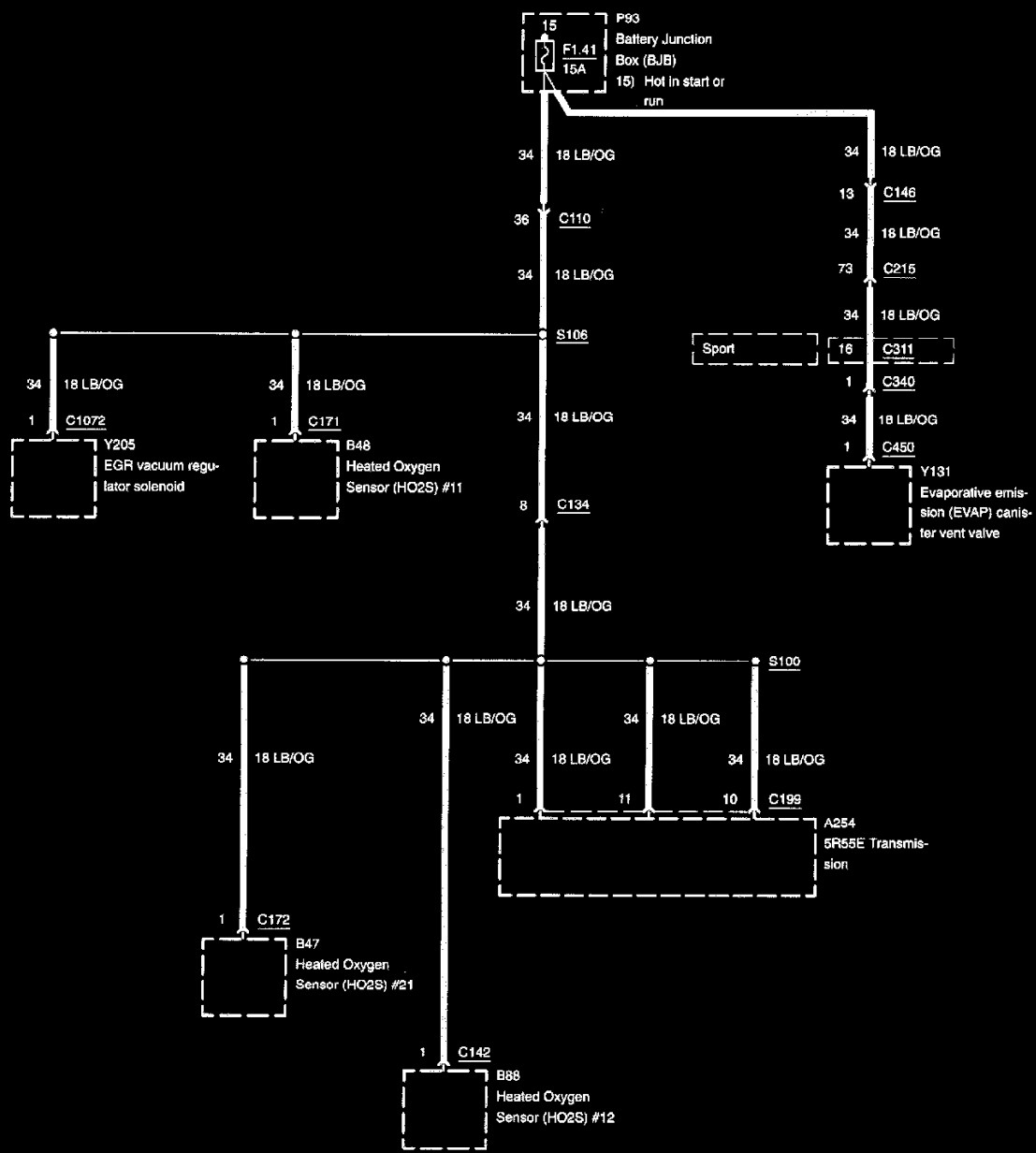


Diagram 700-03-00-8

F1.41, Late production

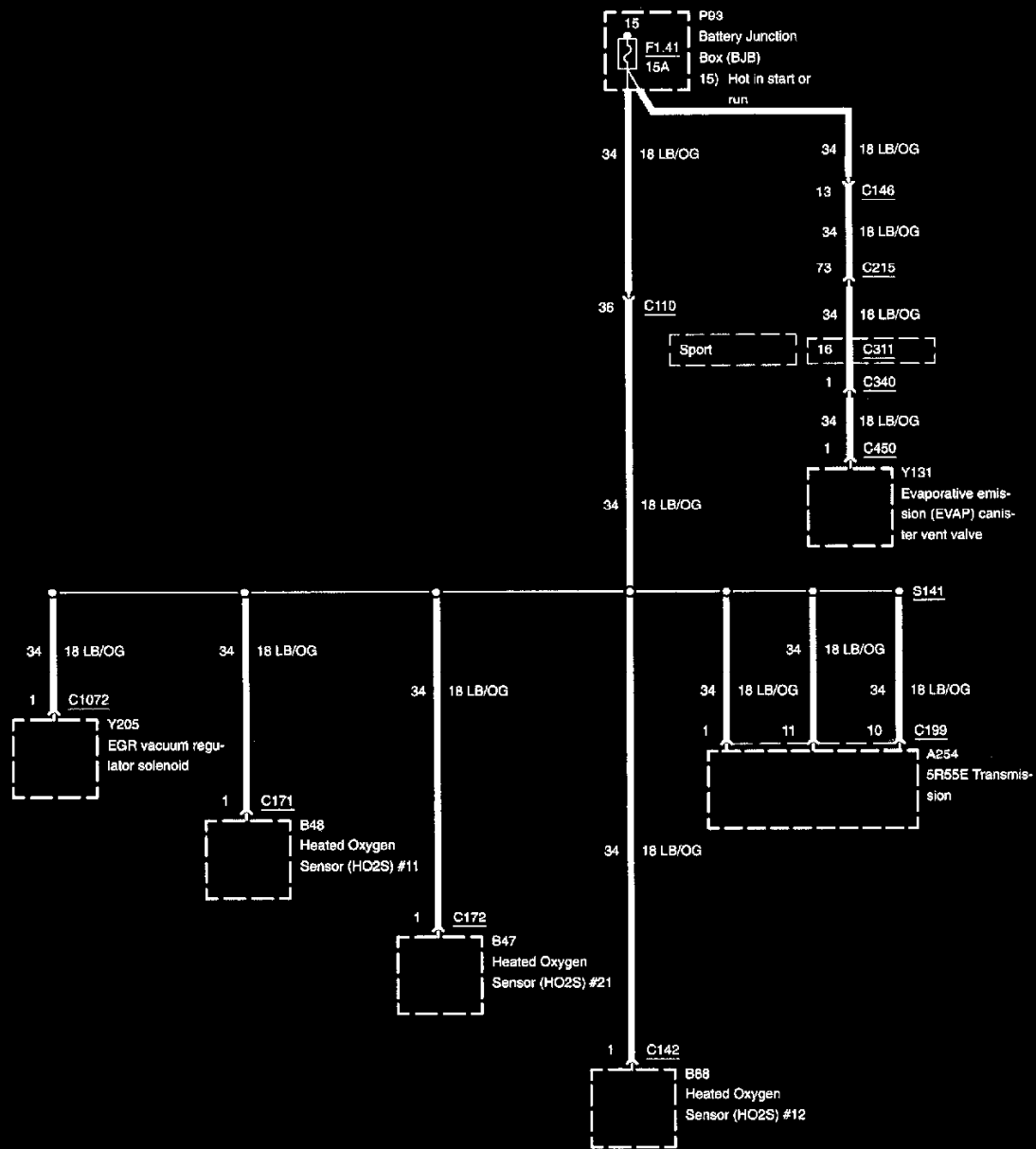


Diagram 700-03-00-9

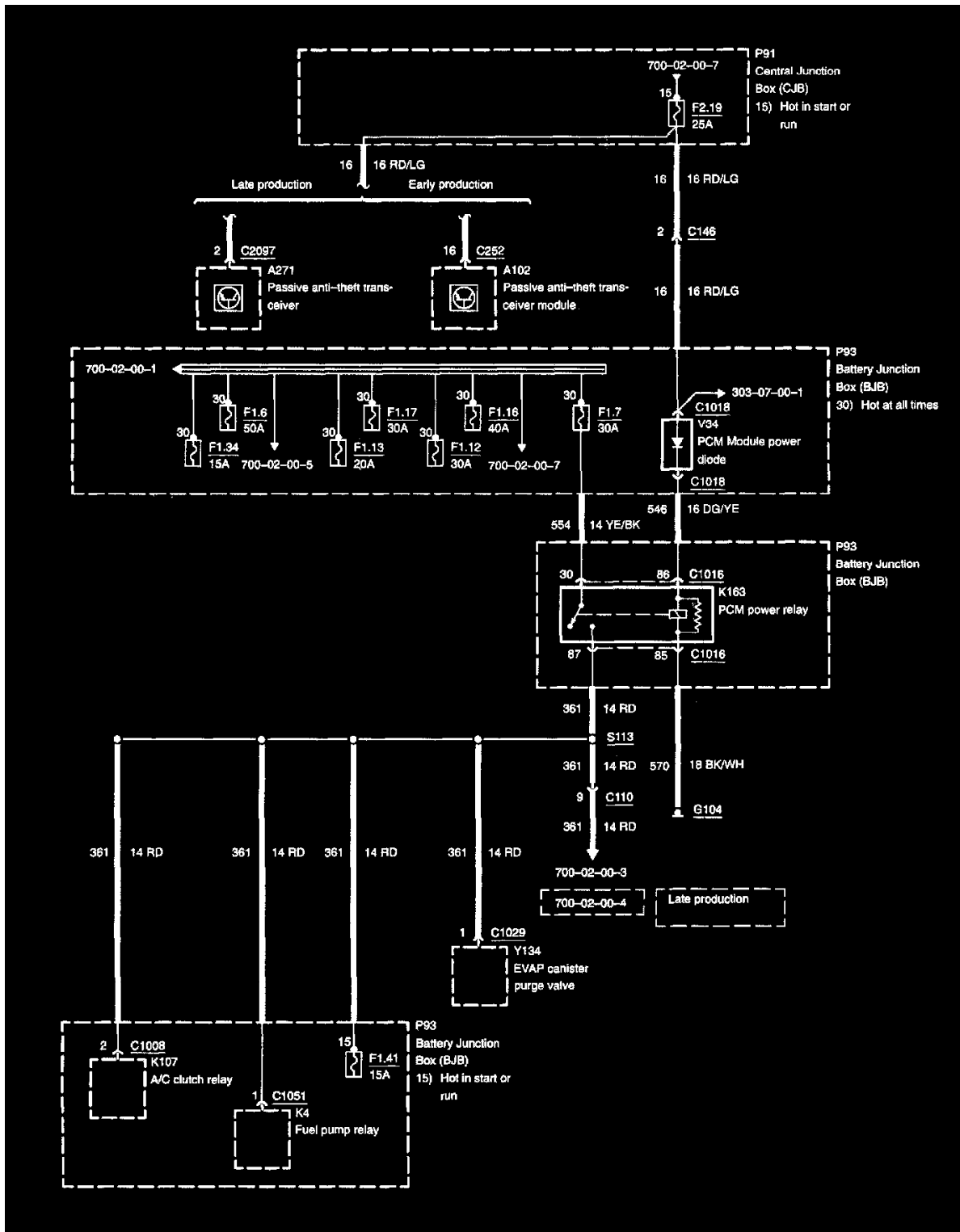


Diagram 700-02-00-2

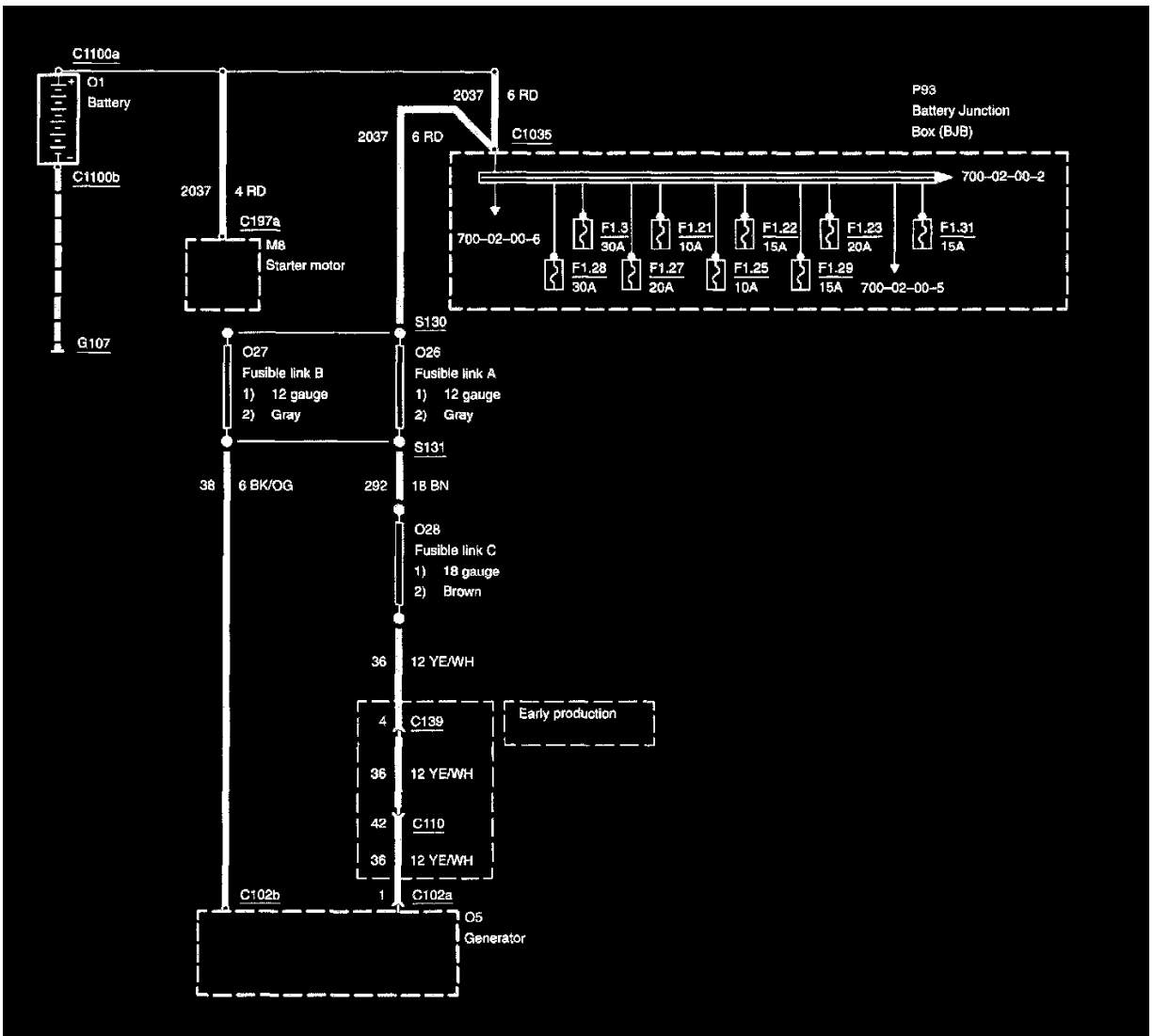


Diagram 700-02-00-1

F2.1

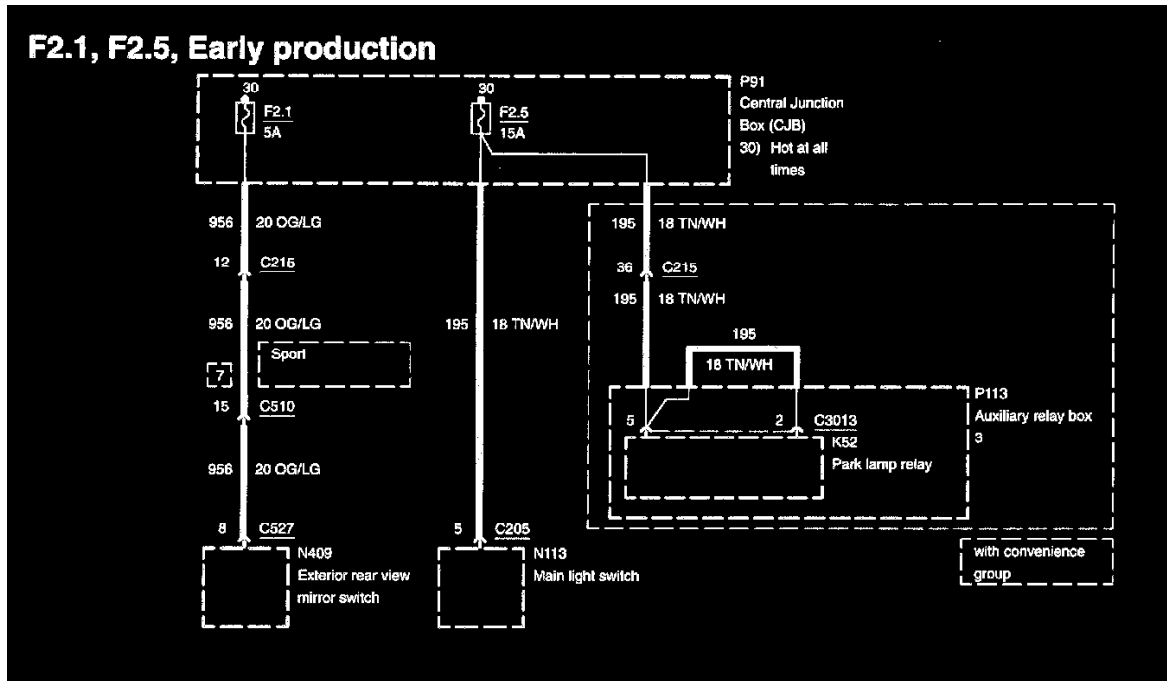


Diagram 700-03-00-10

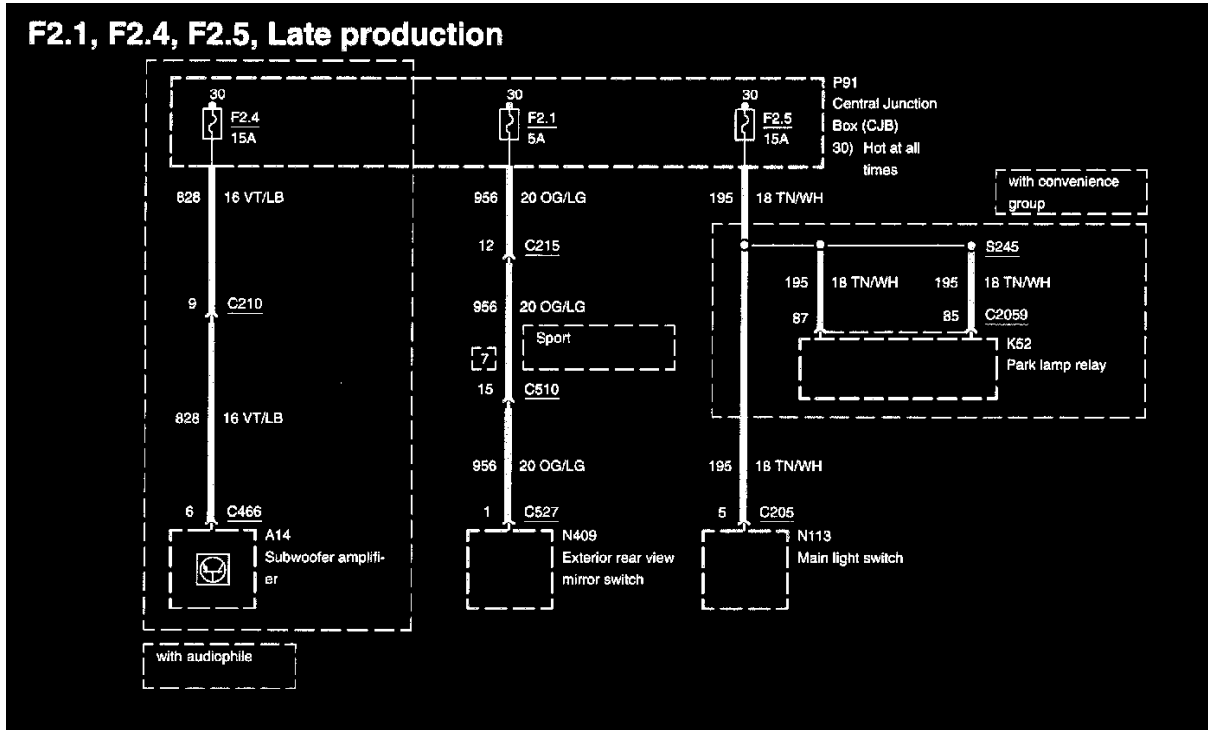


Diagram 700-03-00-11

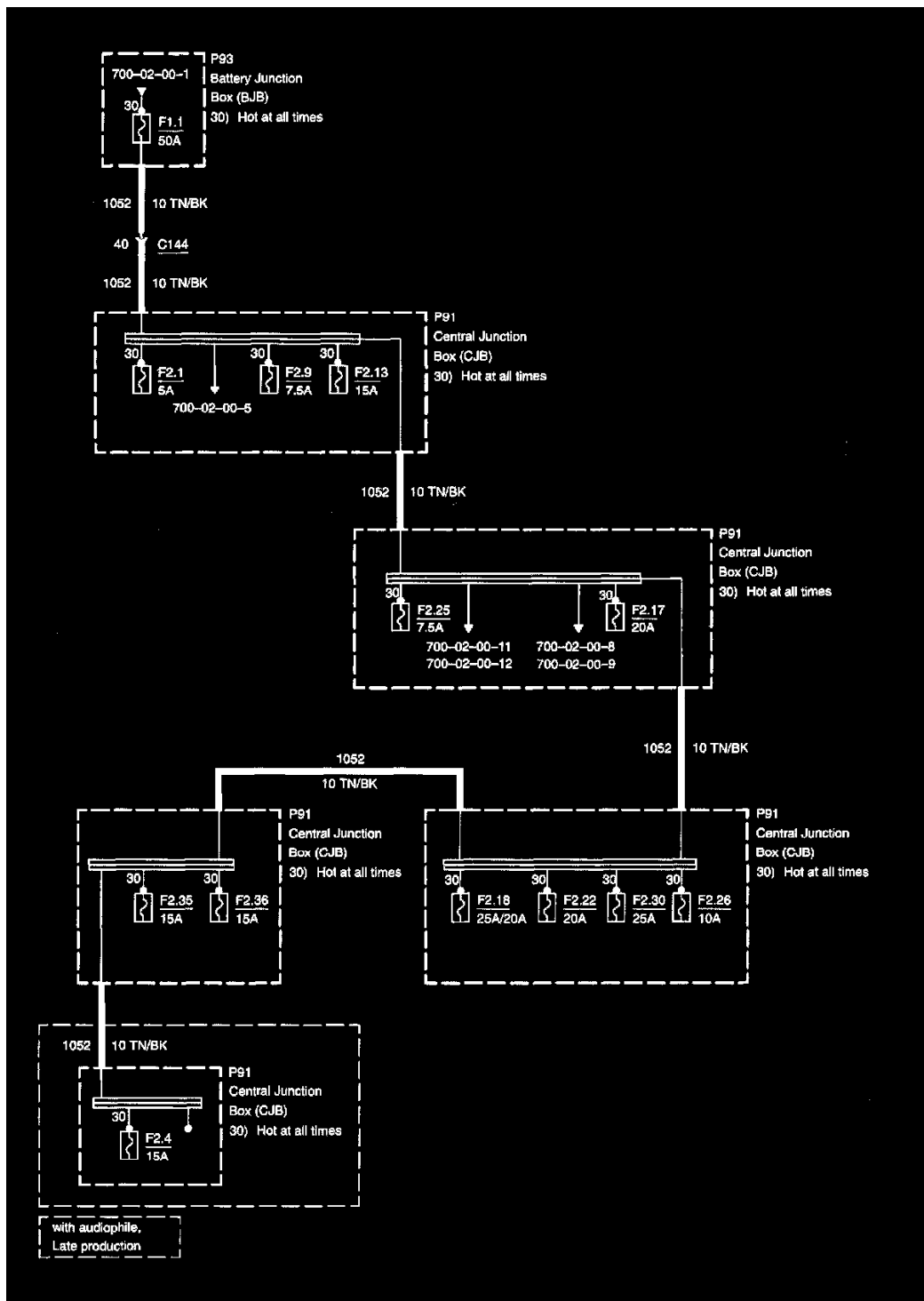


Diagram 700-02-00-6

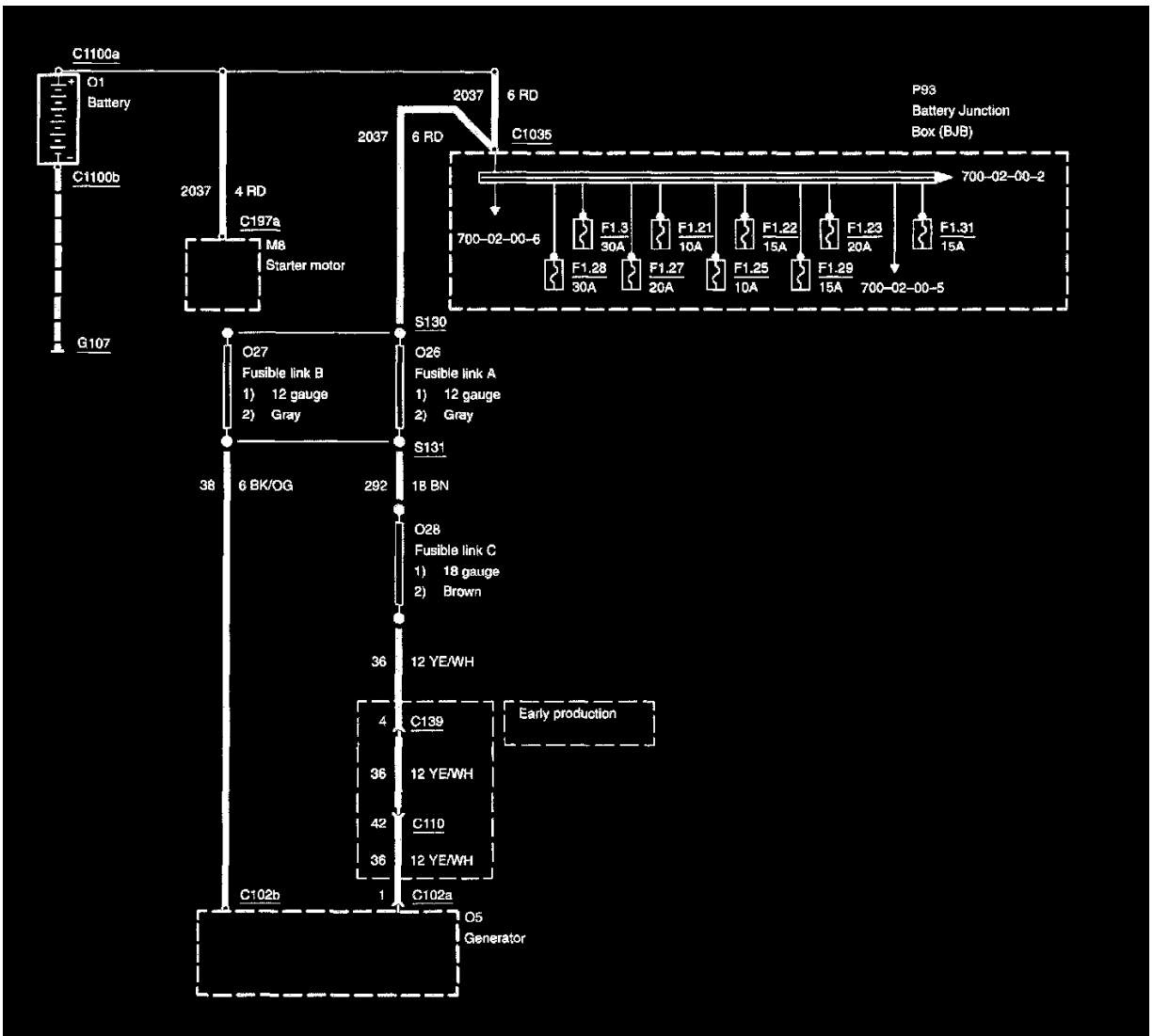


Diagram 700-02-00-1

F2.4

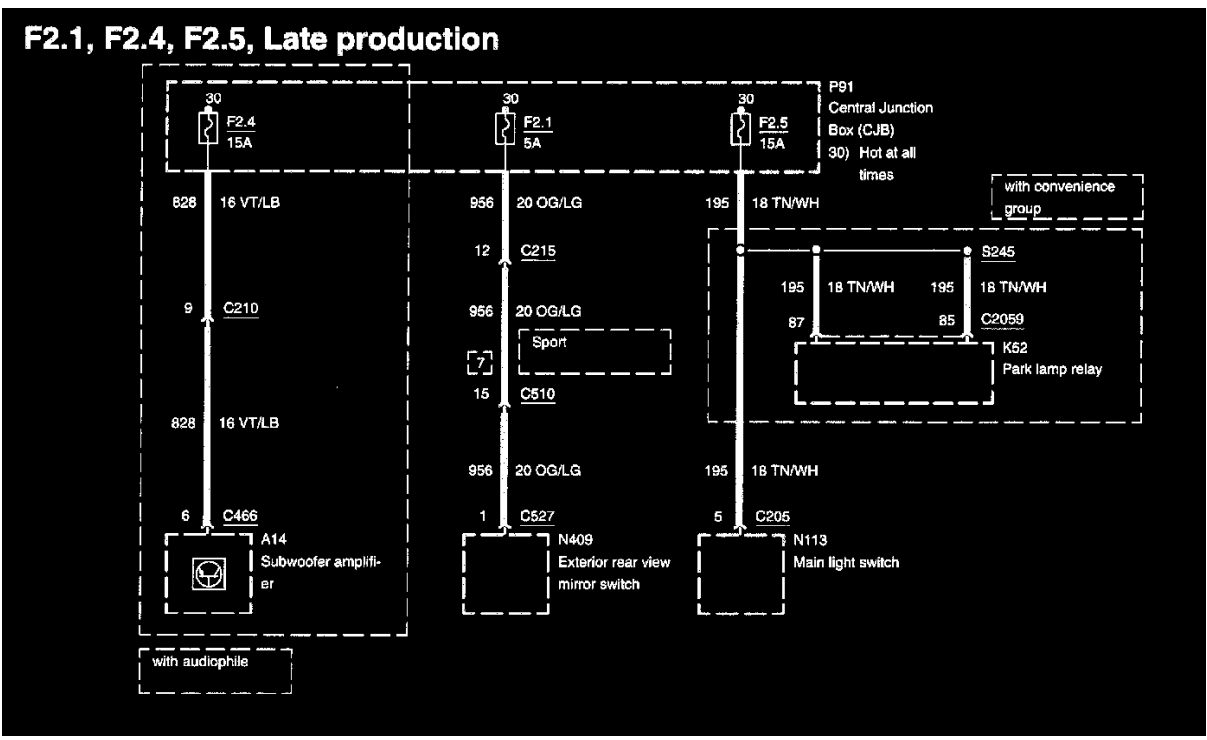


Diagram 700-03-00-11

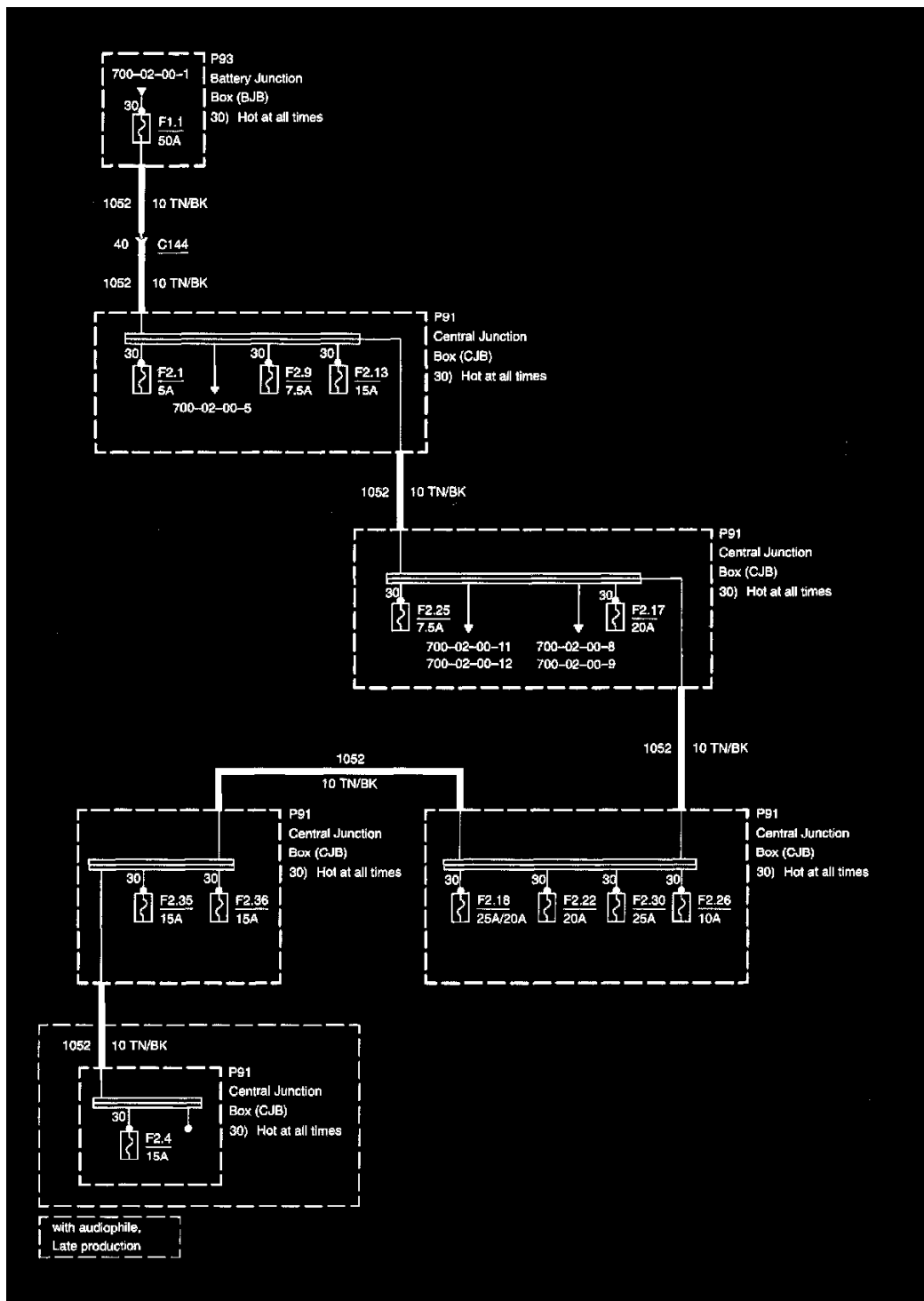


Diagram 700-02-00-6

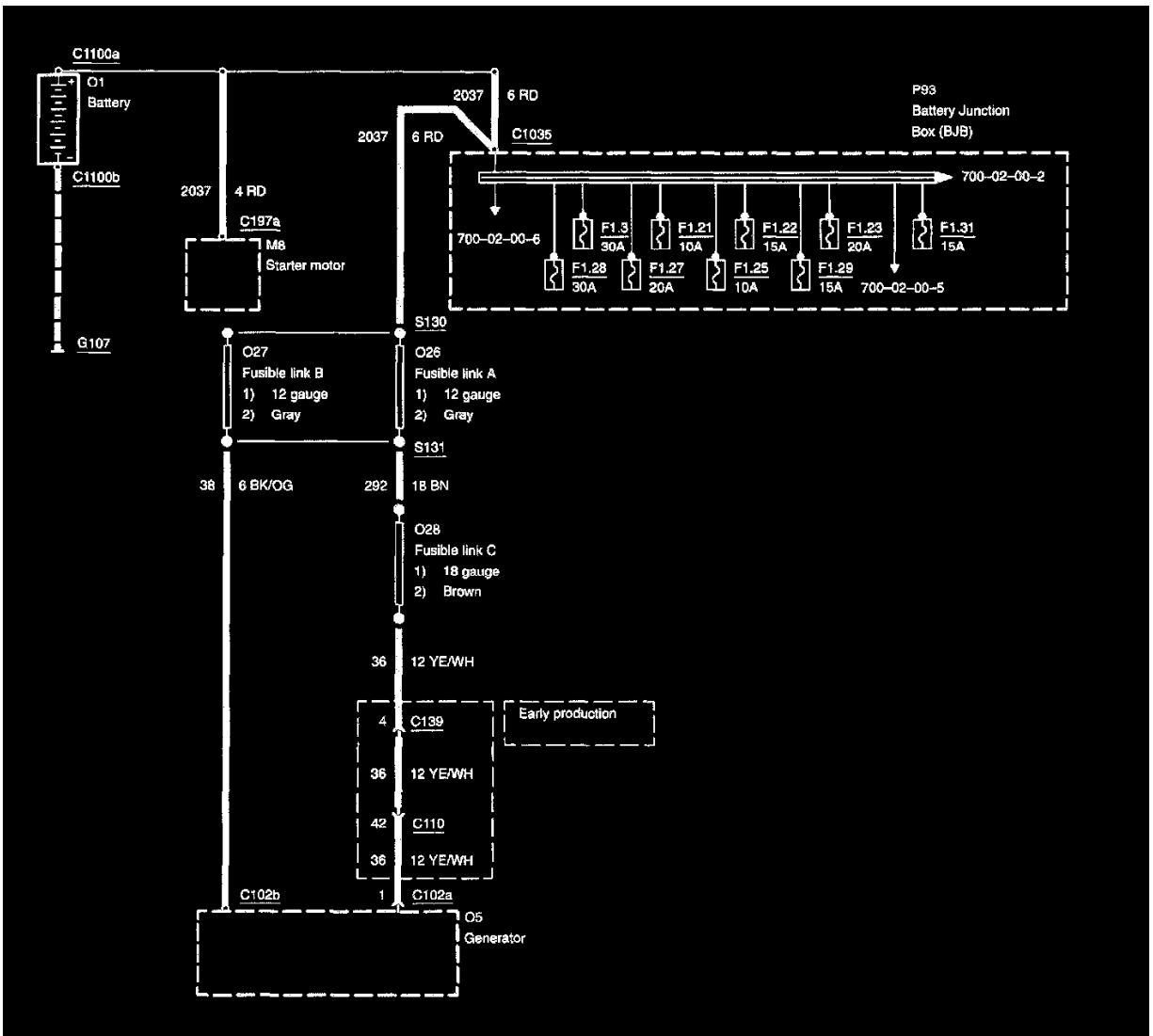


Diagram 700-02-00-1

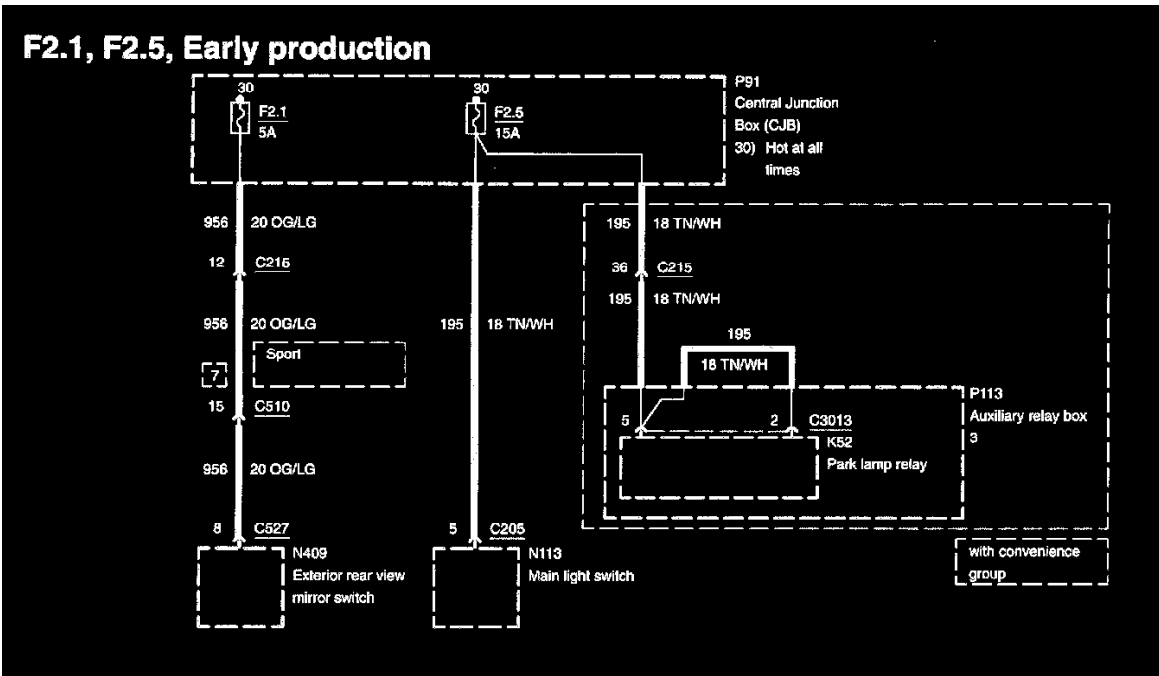


Diagram 700-03-00-10

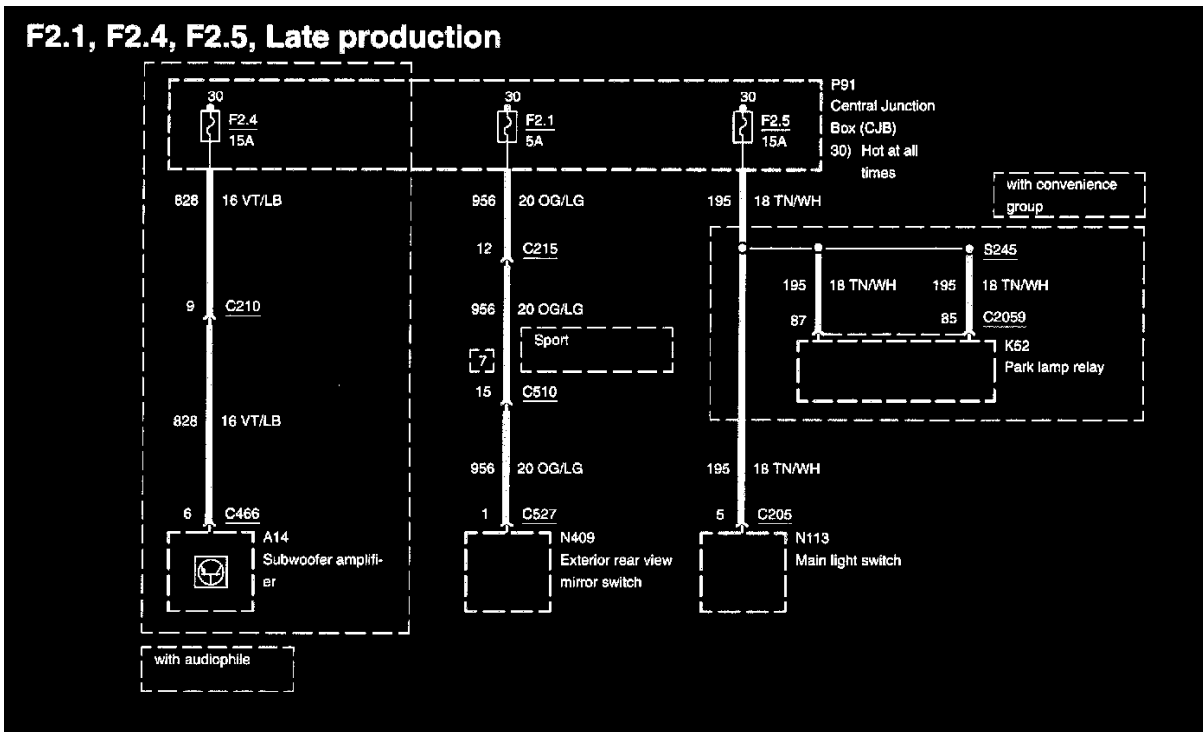


Diagram 700-03-00-11

F2.6

F2.6, F2.31

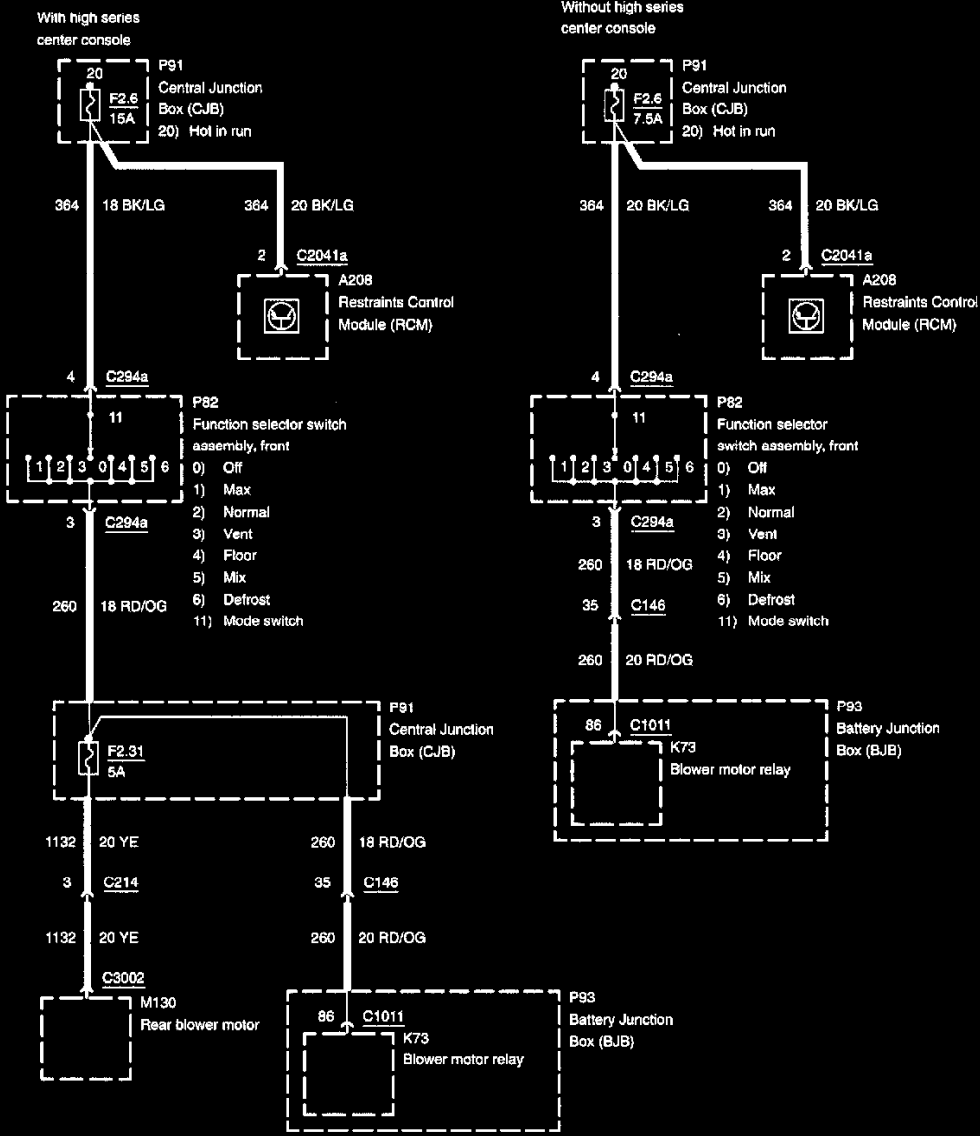


Diagram 700-03-00-12

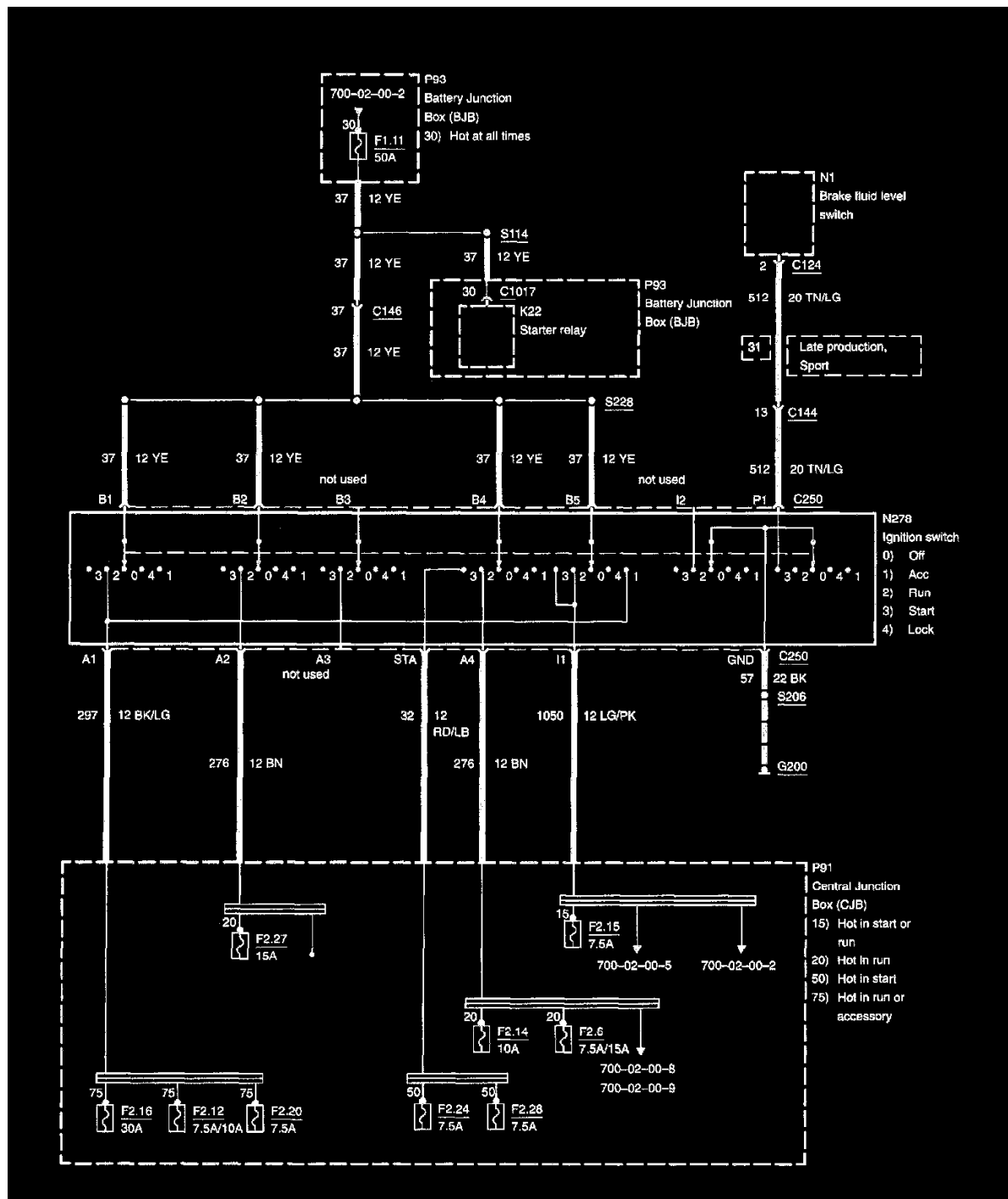


Diagram 700-02-00-7

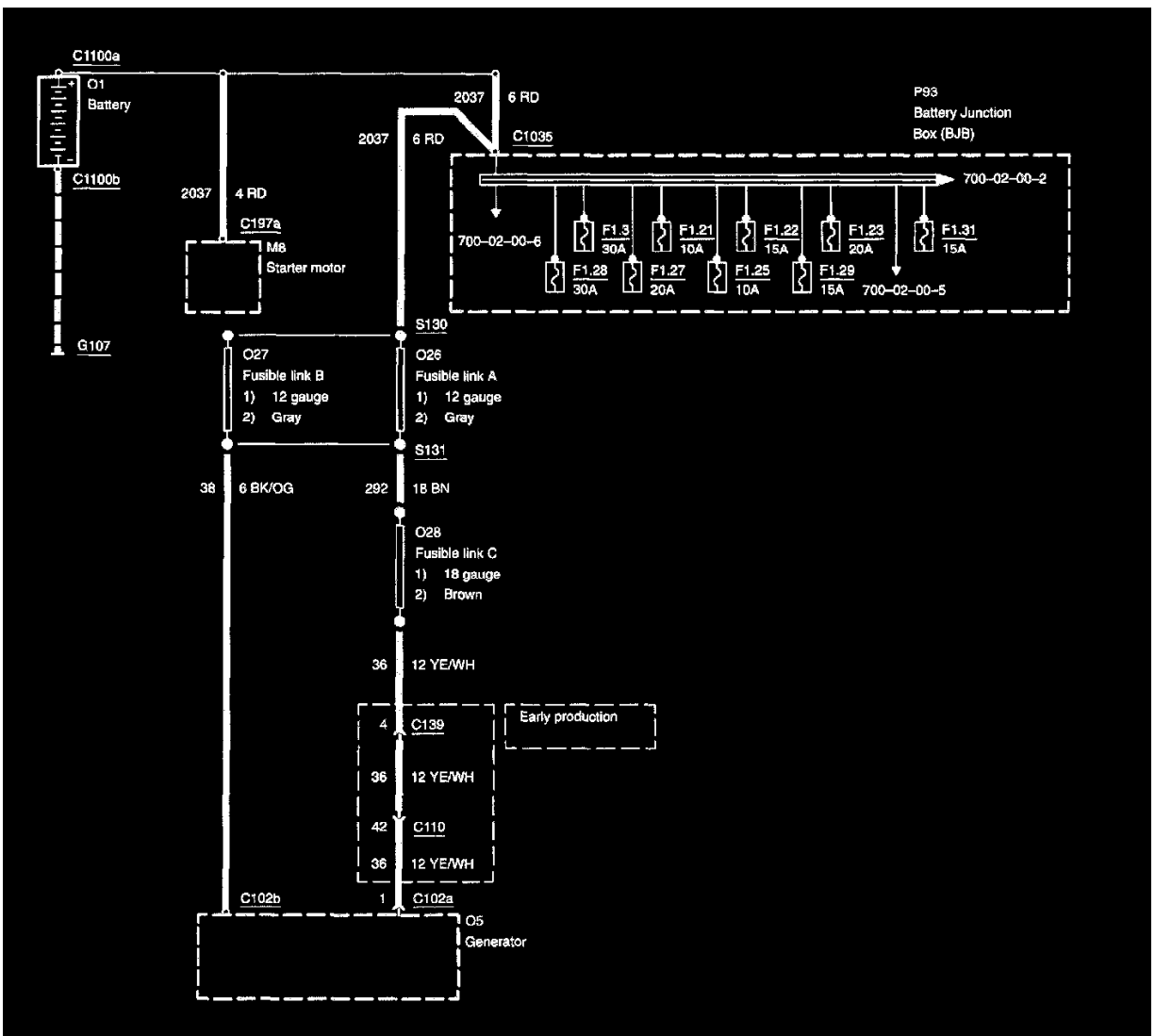


Diagram 700-02-00-1

F2.9

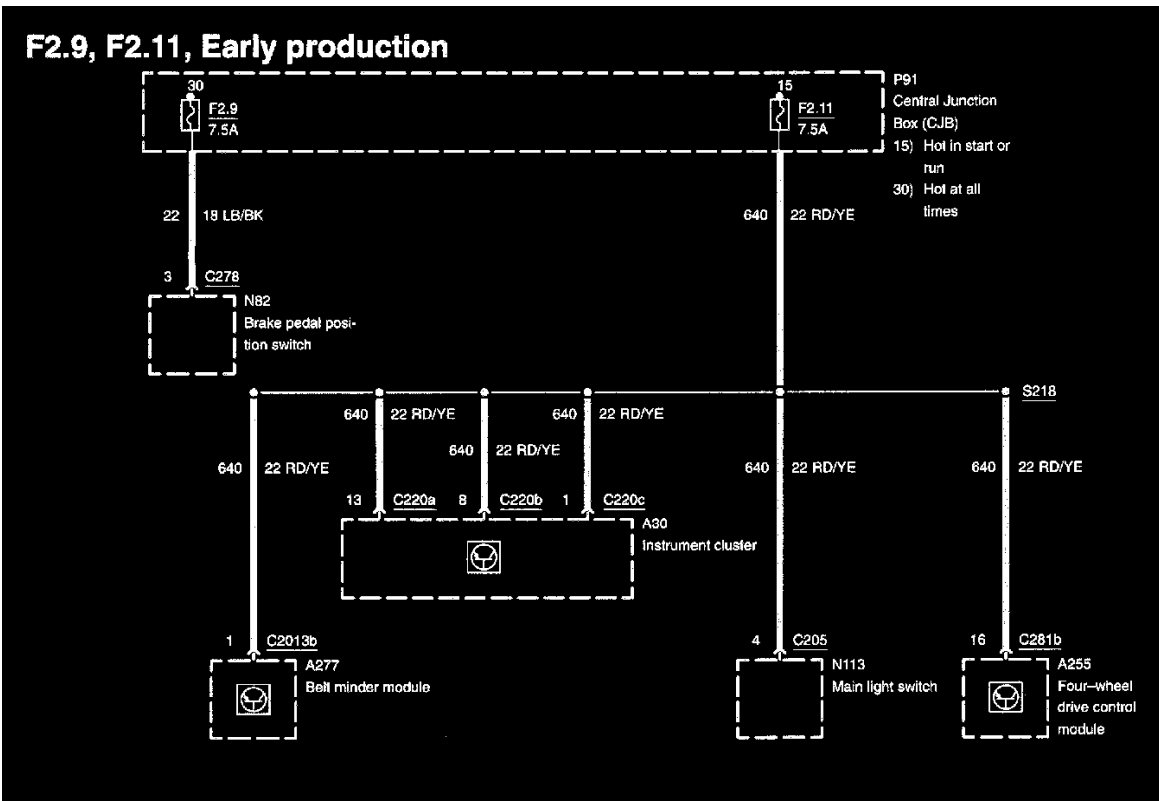


Diagram 700-03-00-13

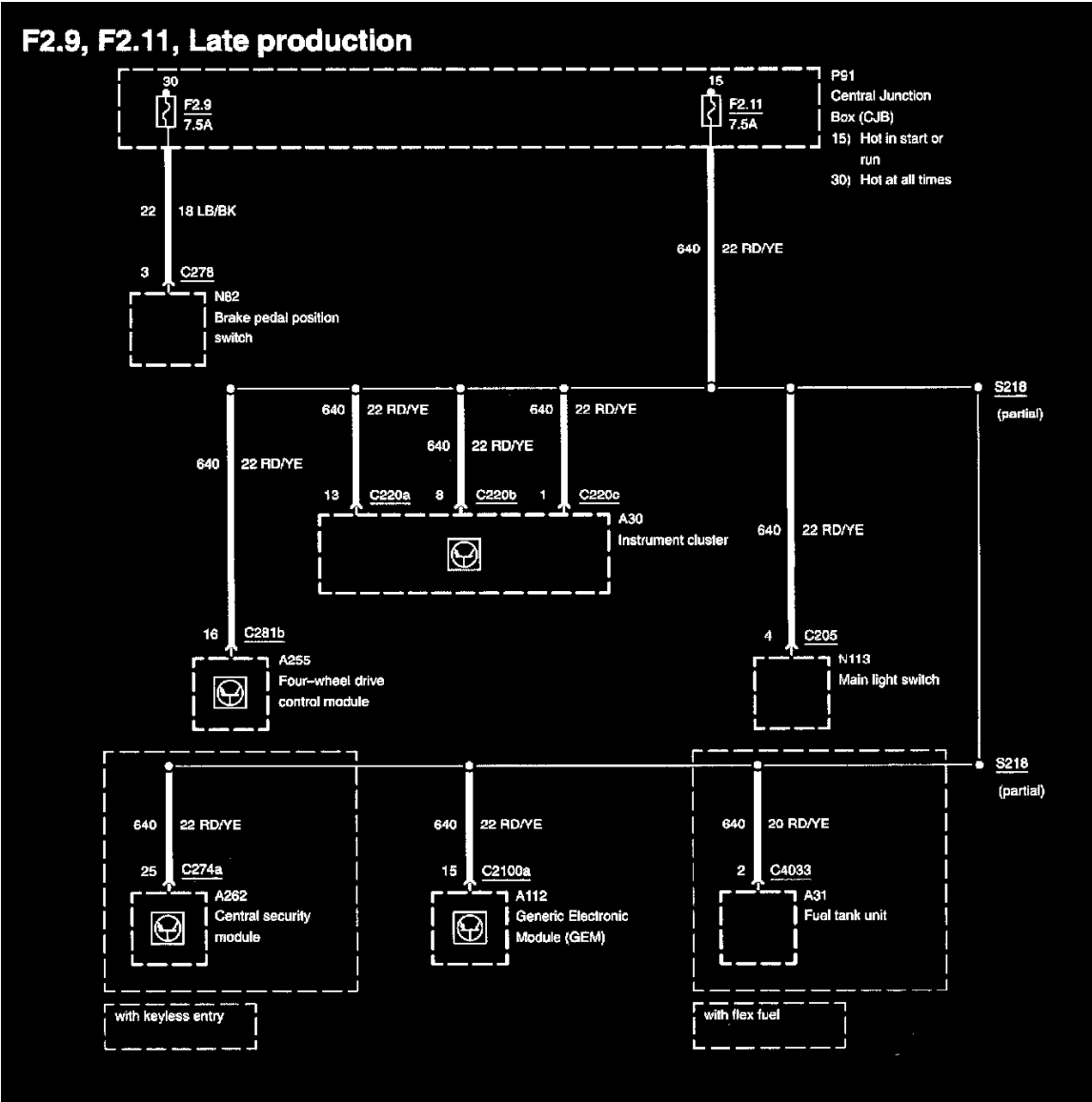


Diagram 700-03-00-14

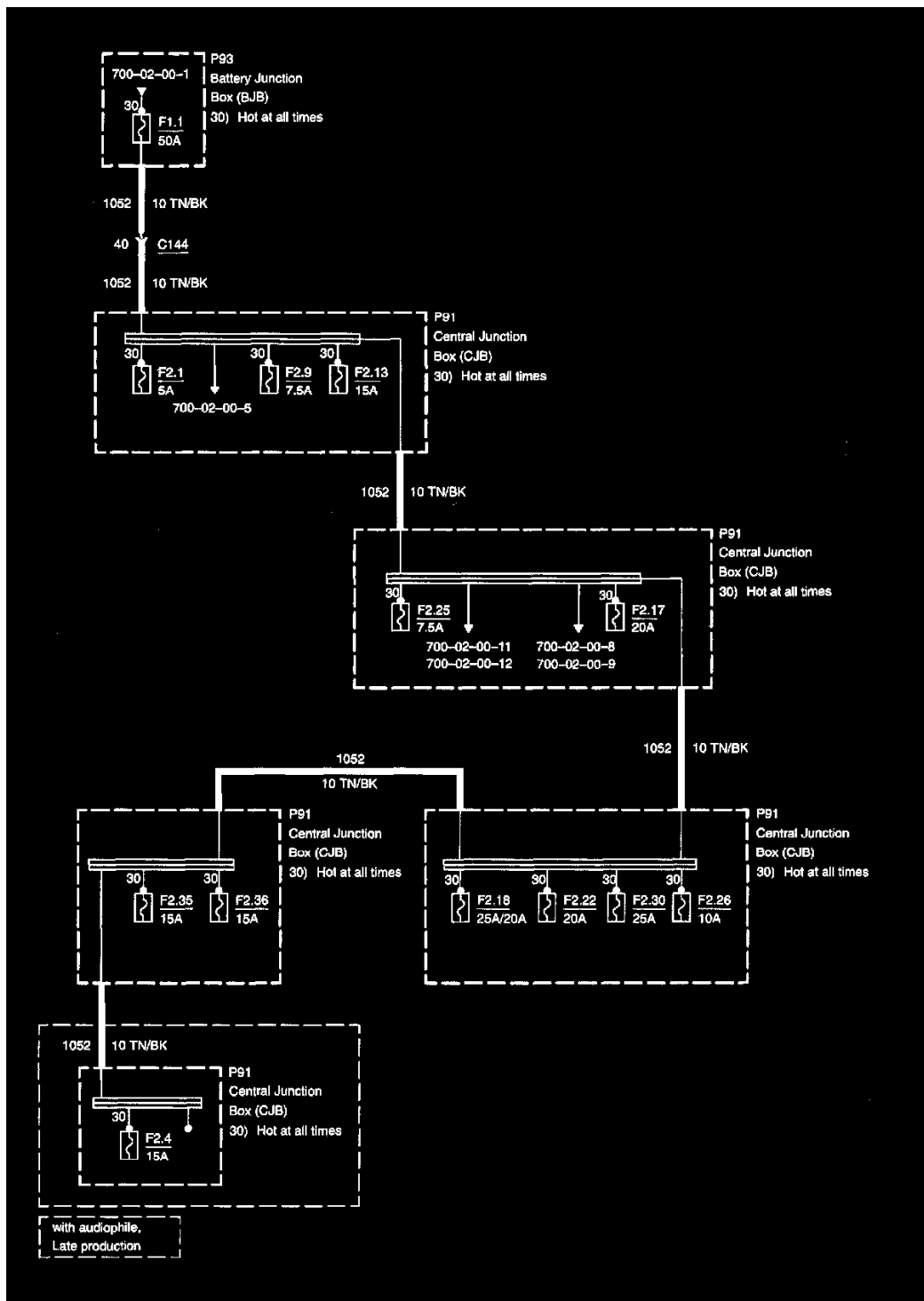


Diagram 700-02-00-6

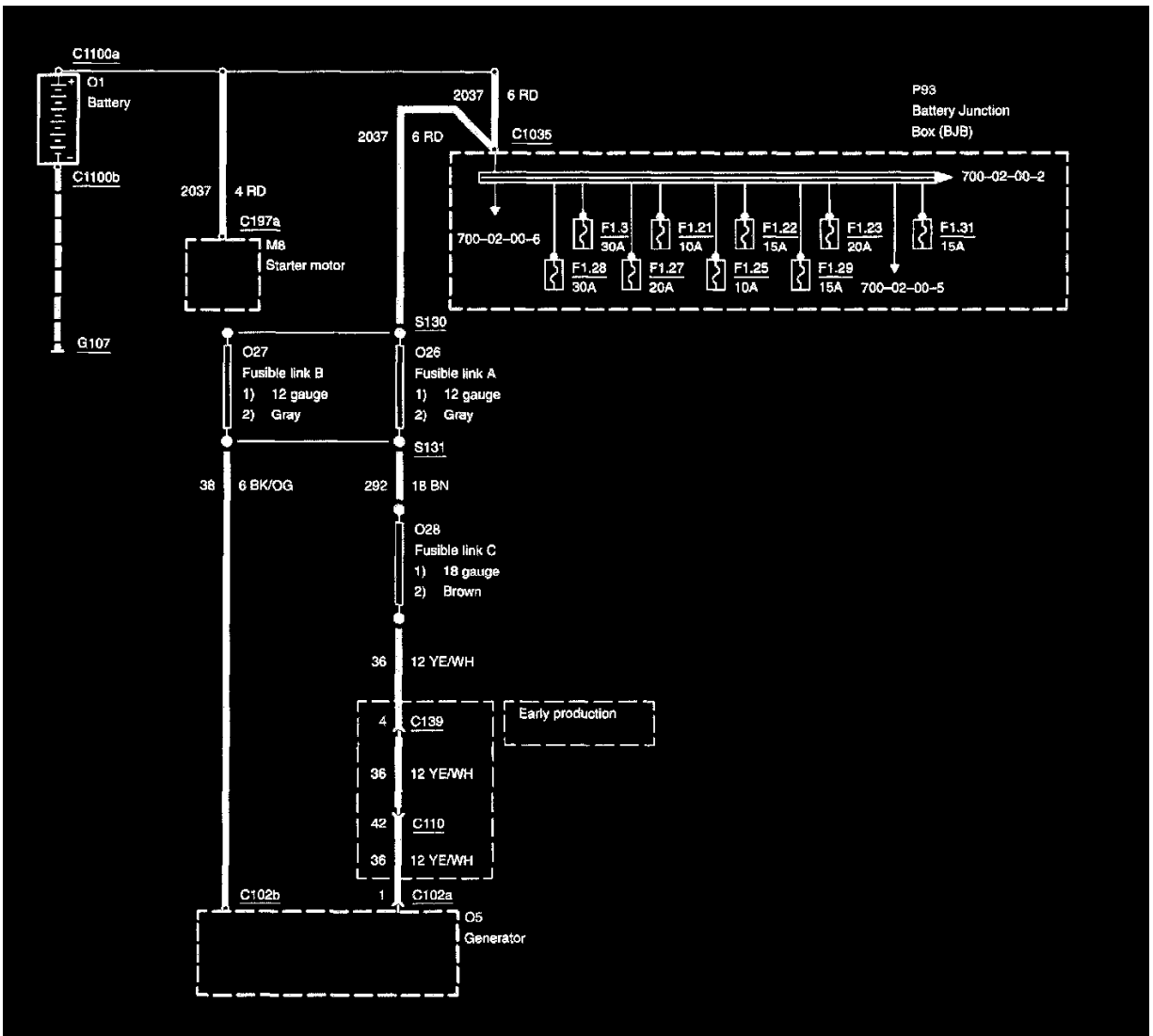


Diagram 700-02-00-1

F2.11

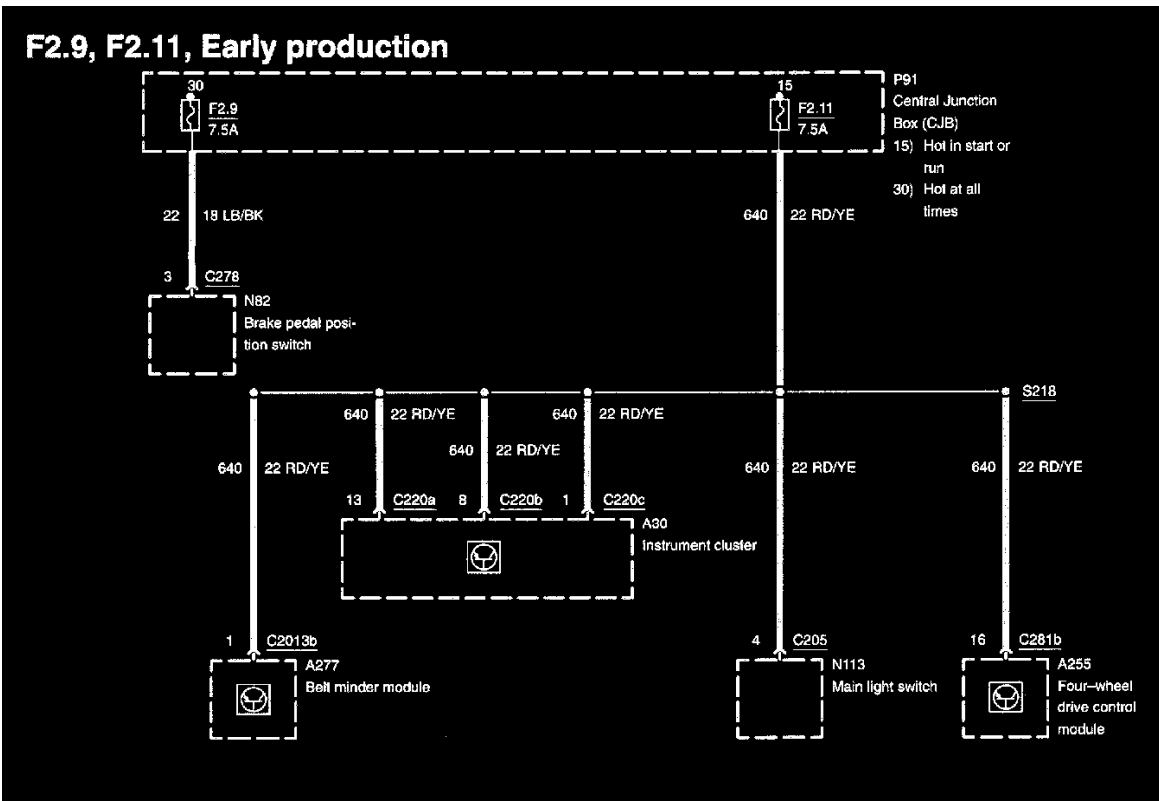


Diagram 700-03-00-13

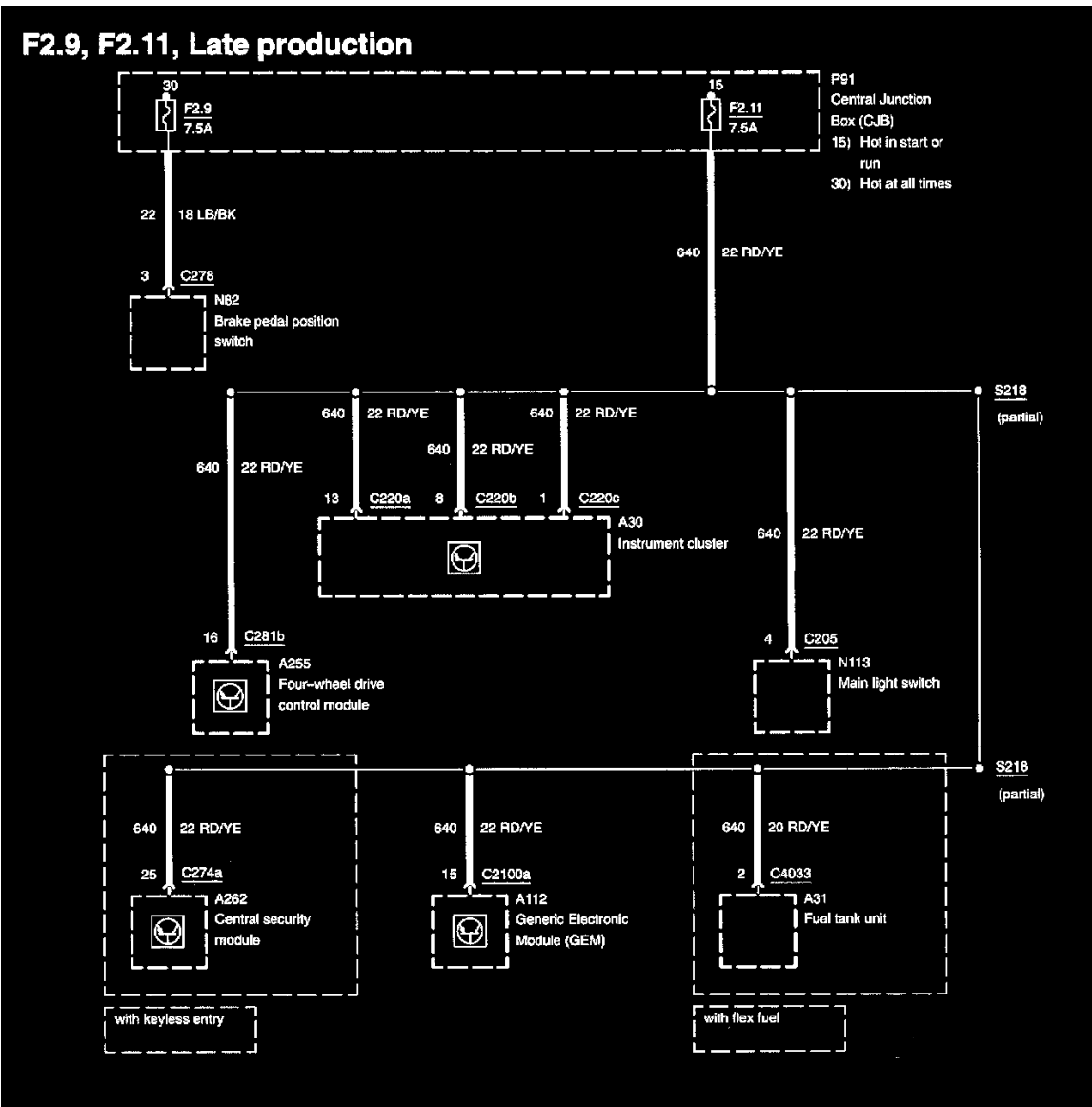


Diagram 700-03-00-14

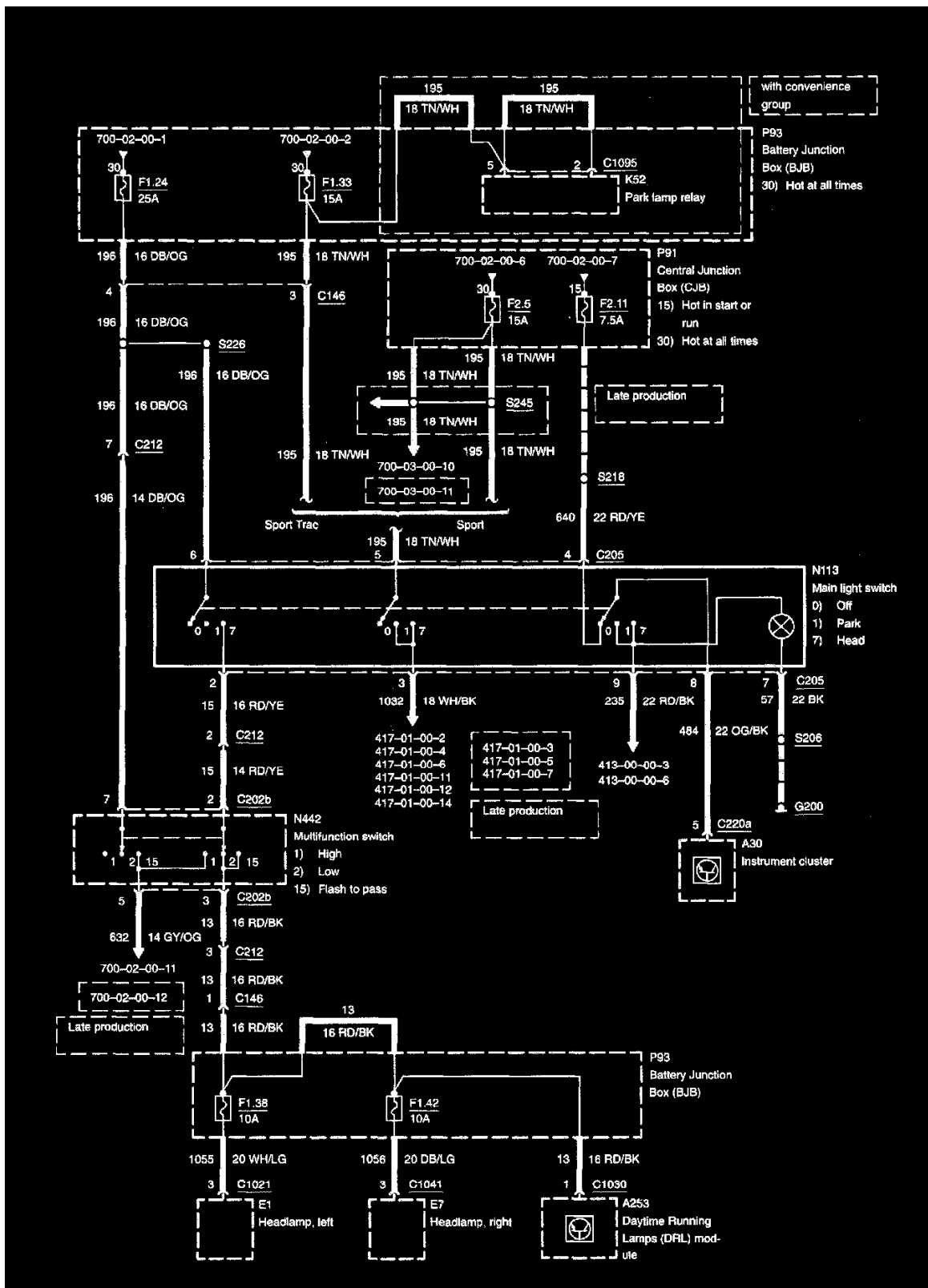


Diagram 700-02-00-5

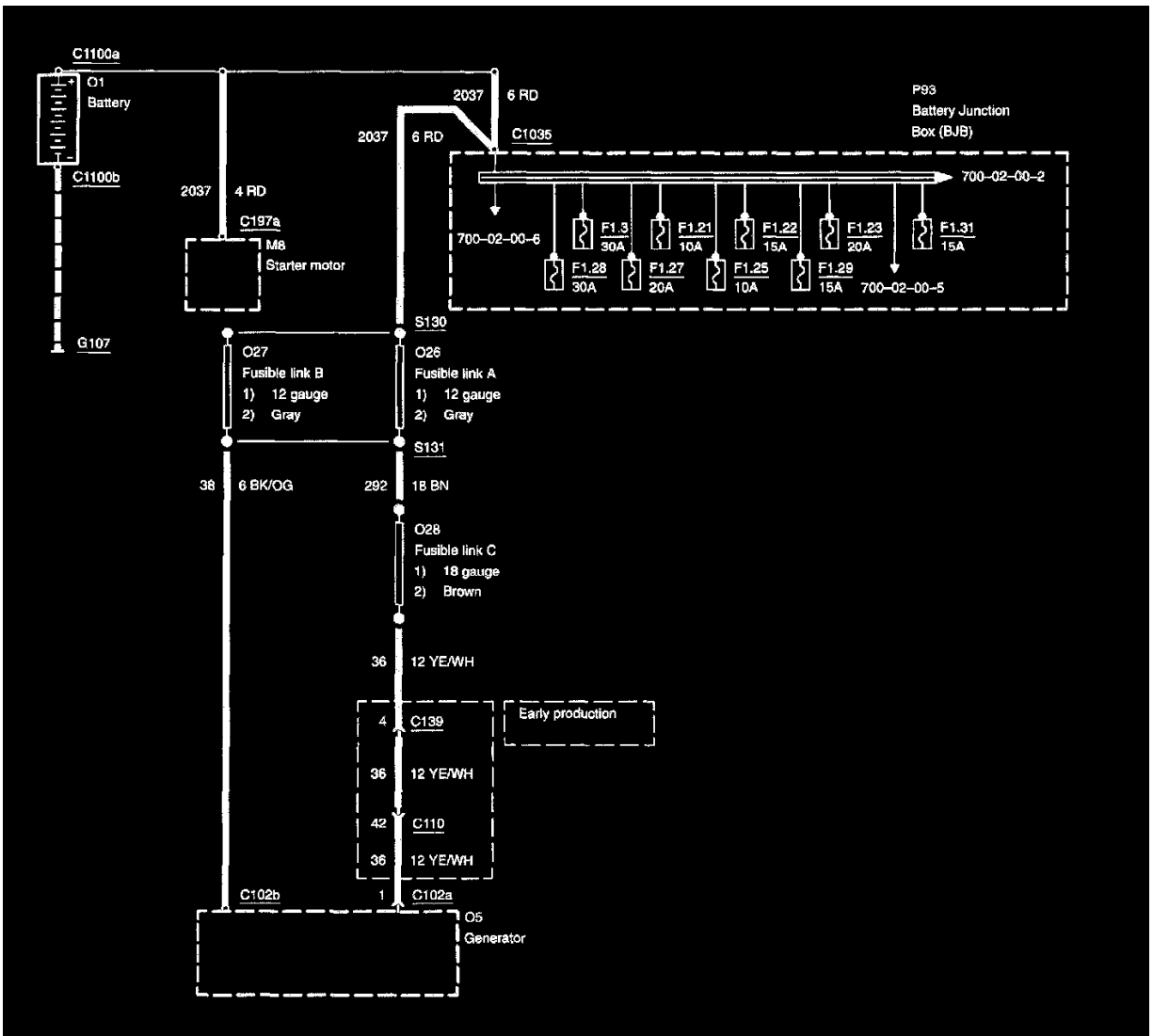


Diagram 700-02-00-1

F2.12

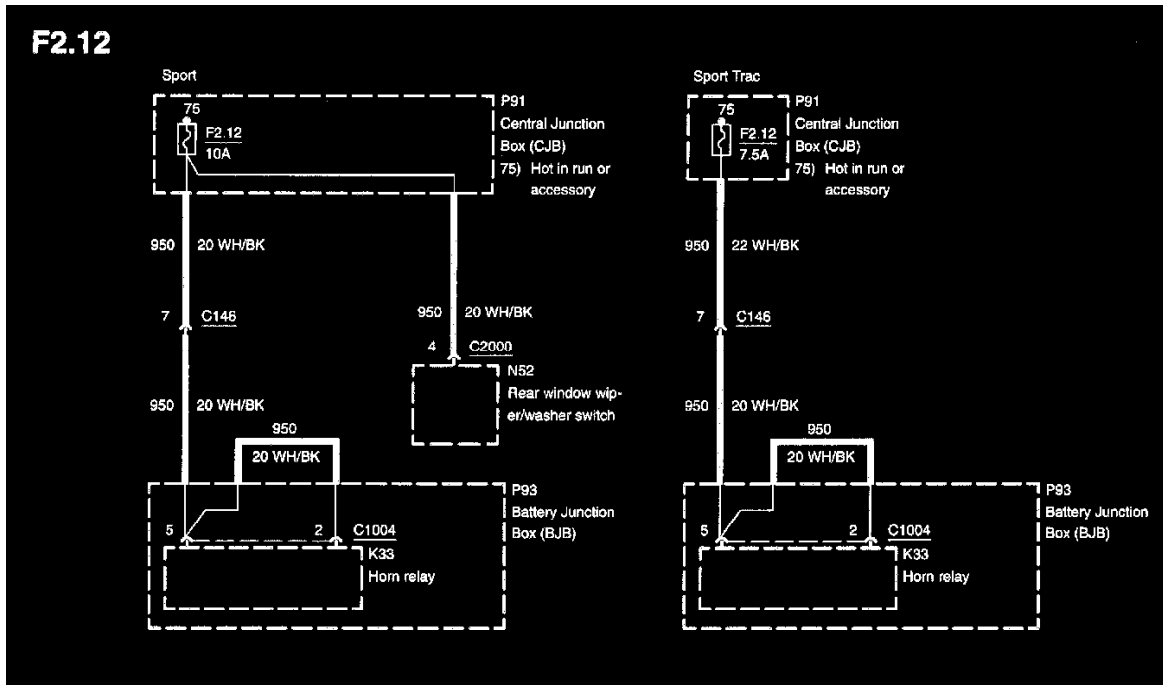


Diagram 700-03-00-15

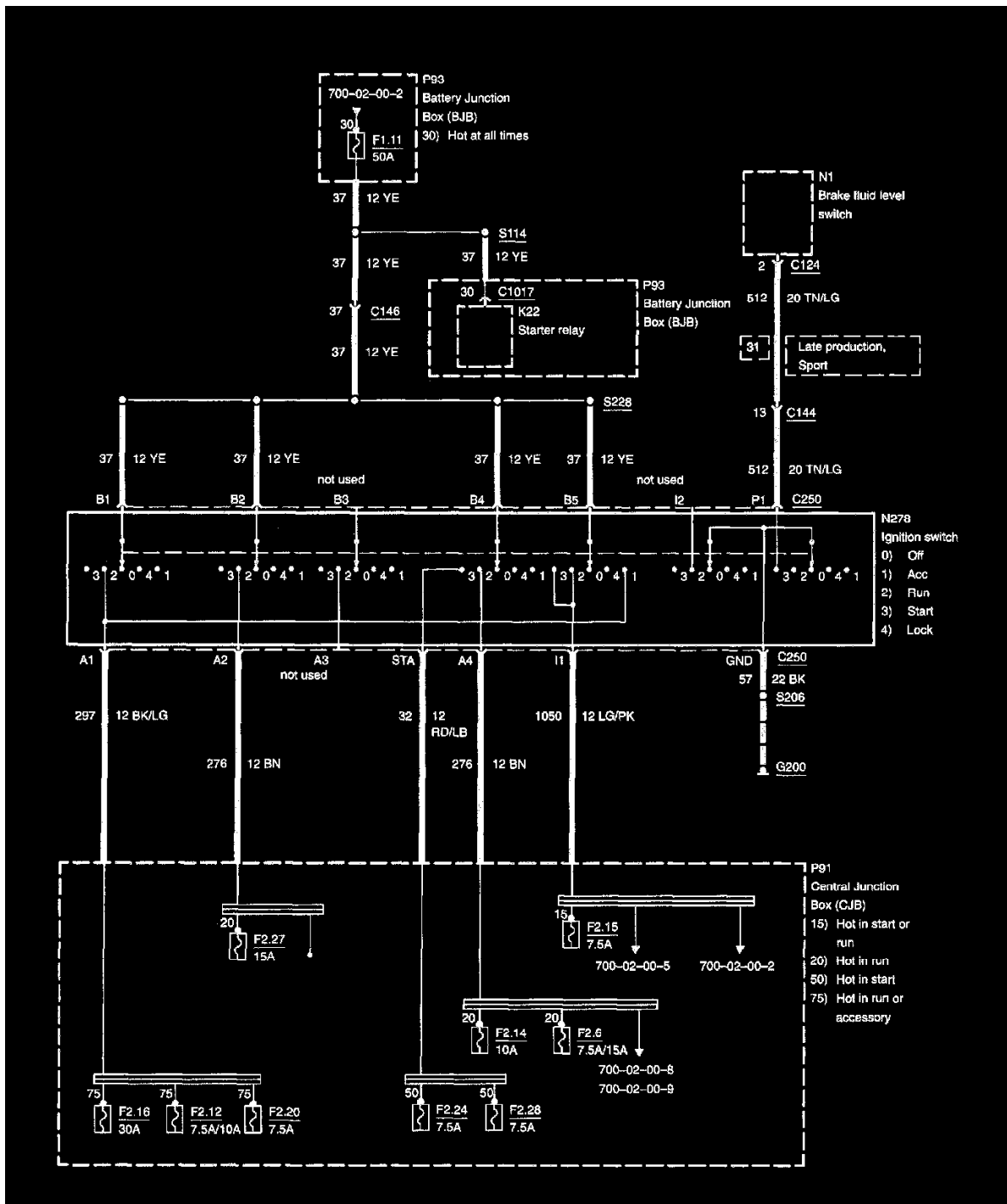


Diagram 700-02-00-7

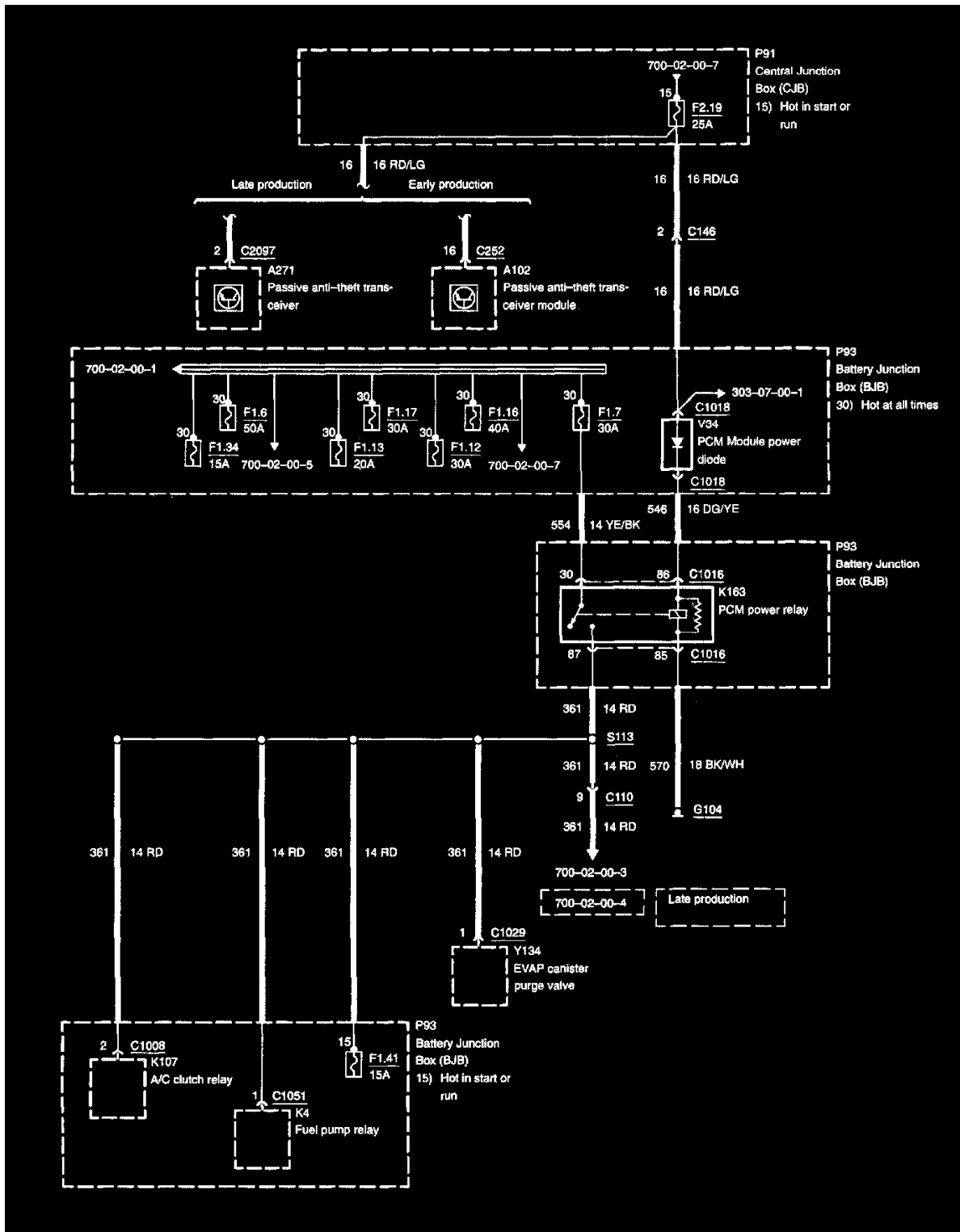


Diagram 700-02-00-2

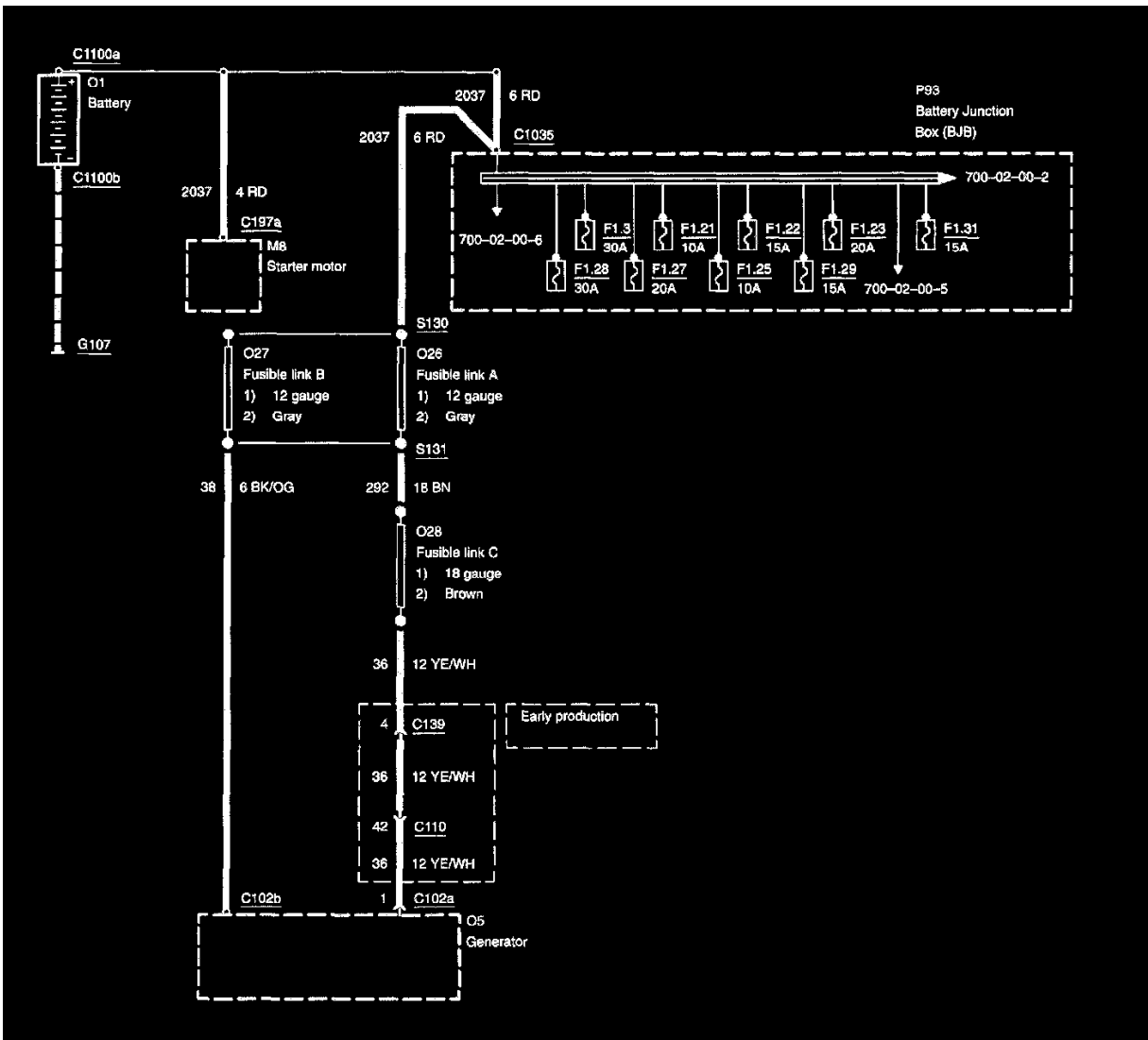


Diagram 700-02-00-1

F2.13

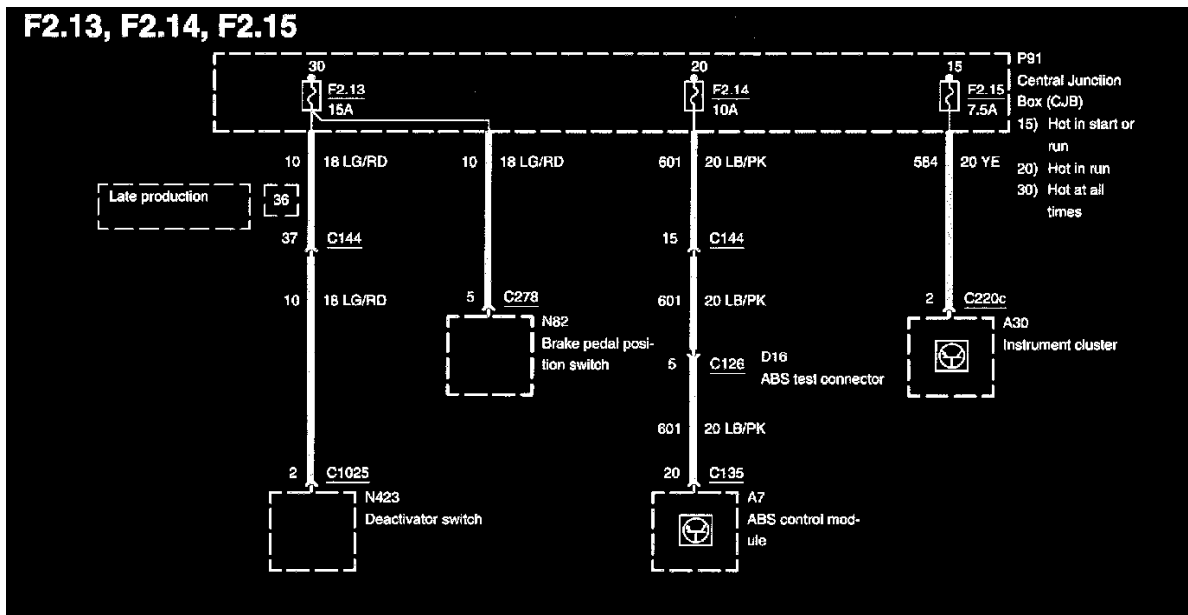


Diagram 700-03-00-16

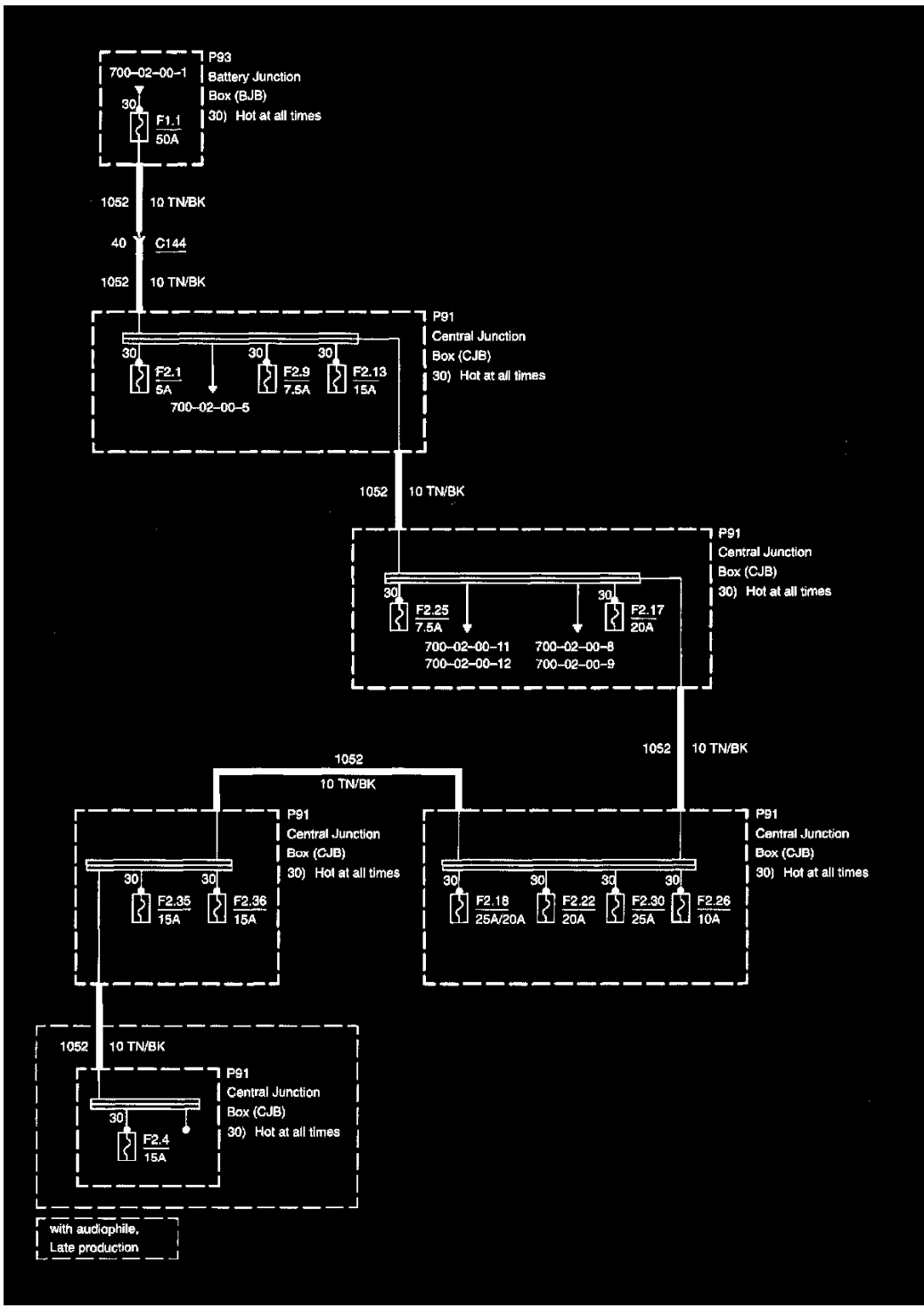


Diagram 700-02-00-6

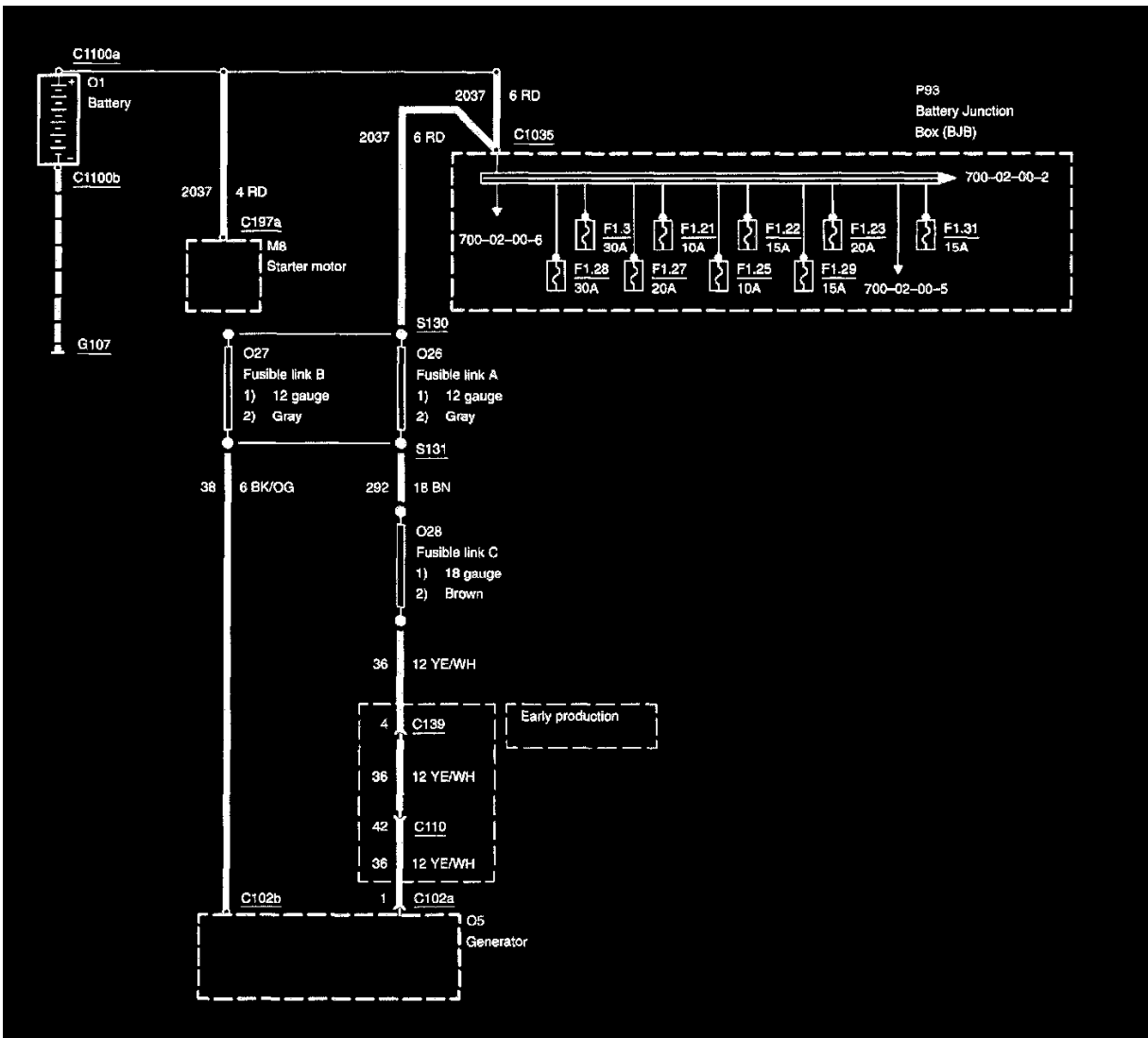


Diagram 700-02-00-1

F2.14

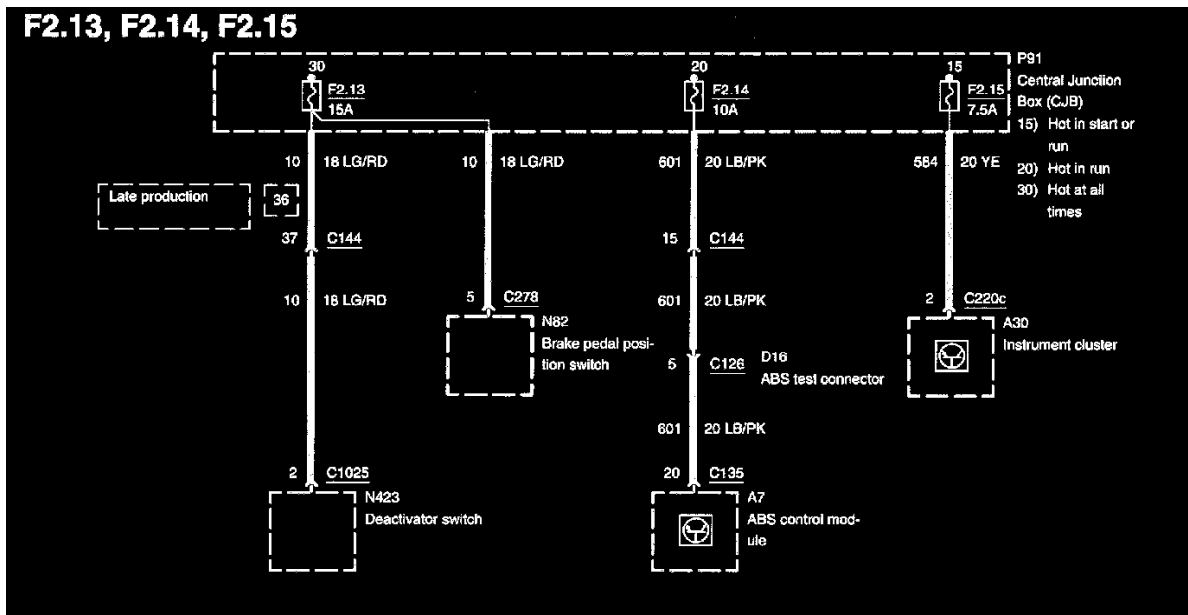


Diagram 700-03-00-16

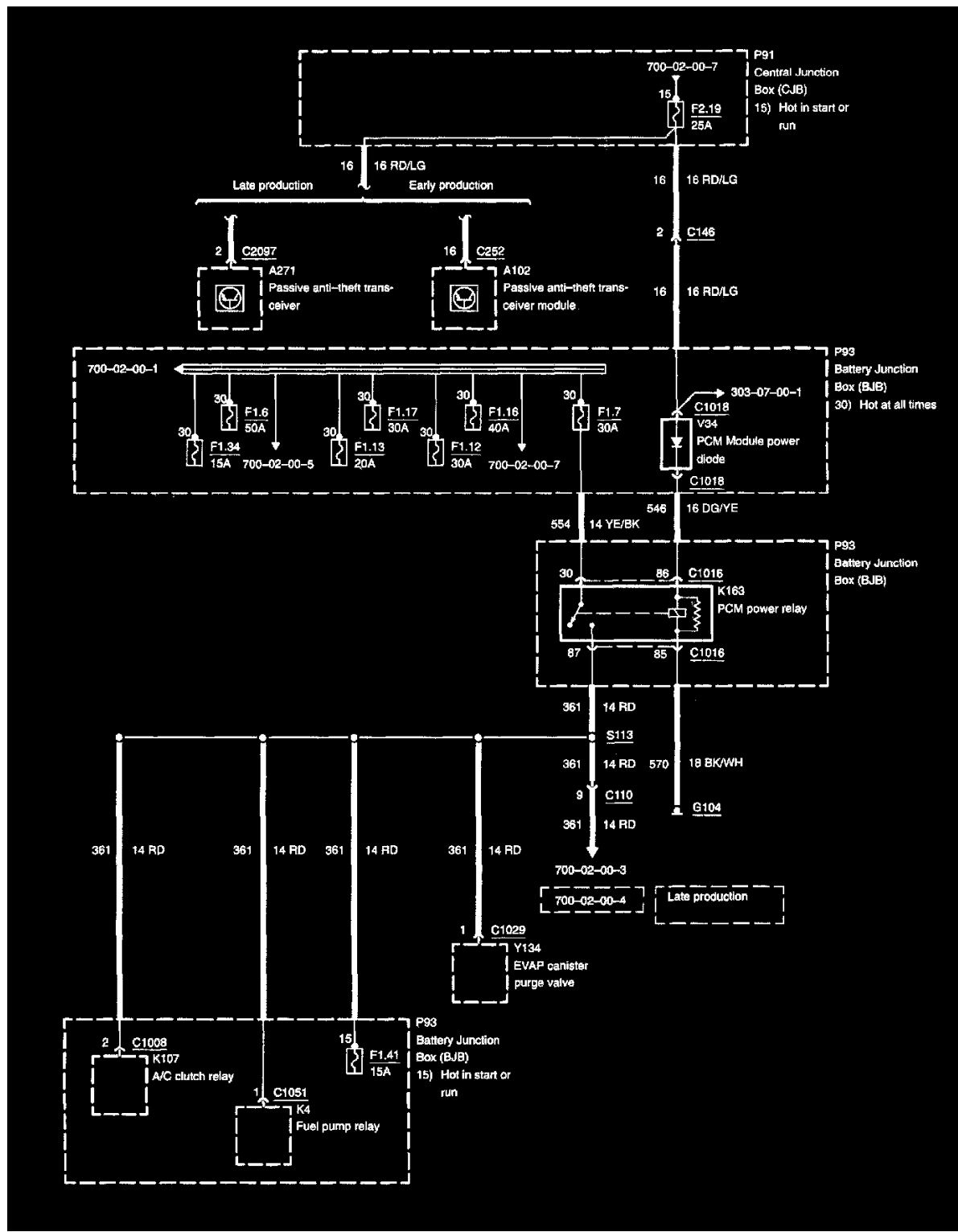


Diagram 700-02-00-2

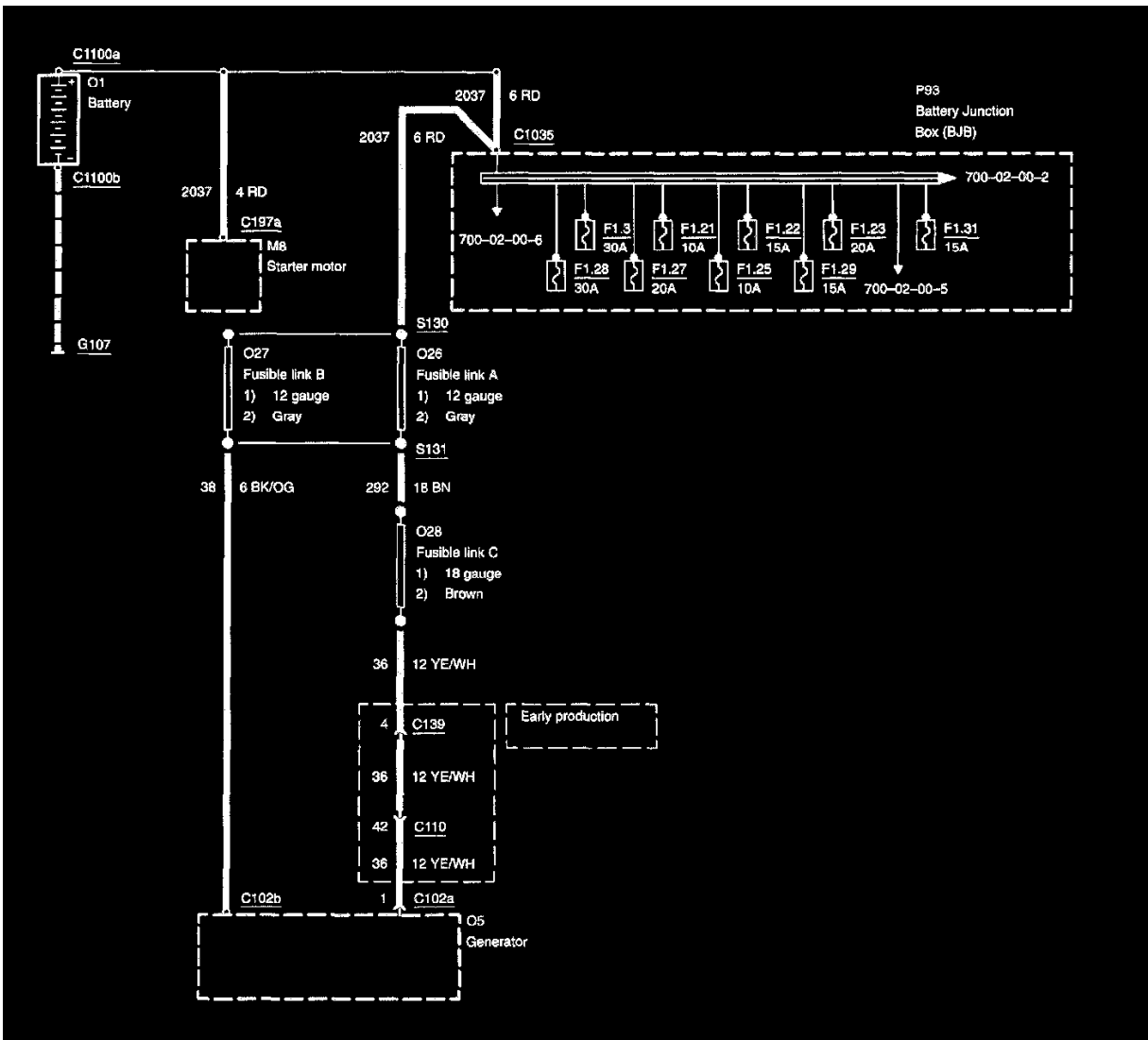


Diagram 700-02-00-1

F2.15

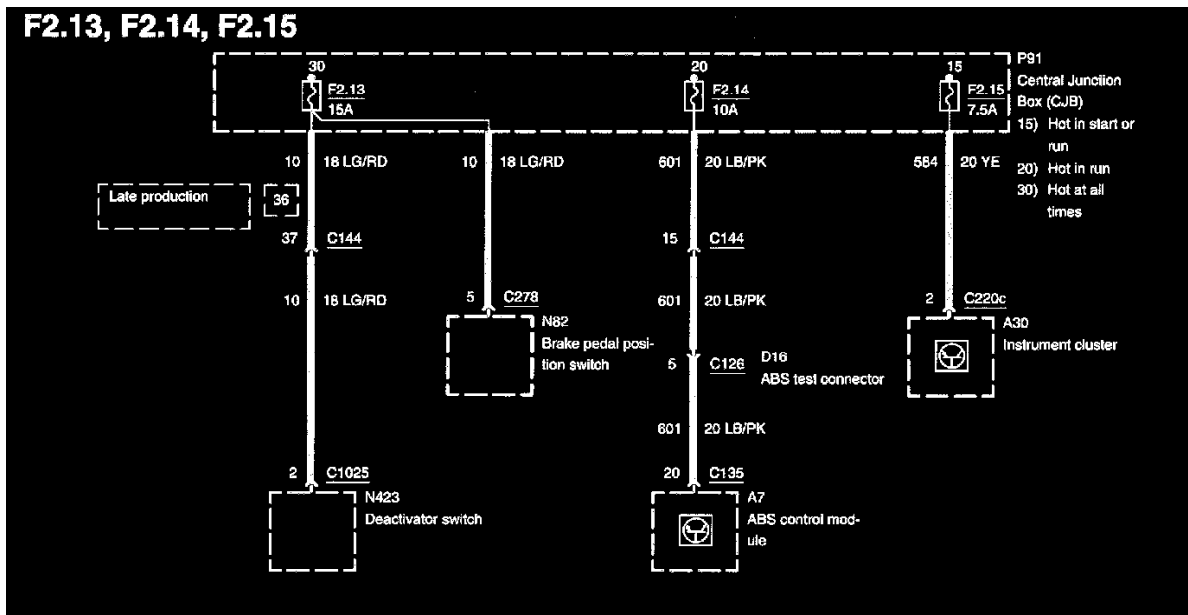


Diagram 700-03-00-16

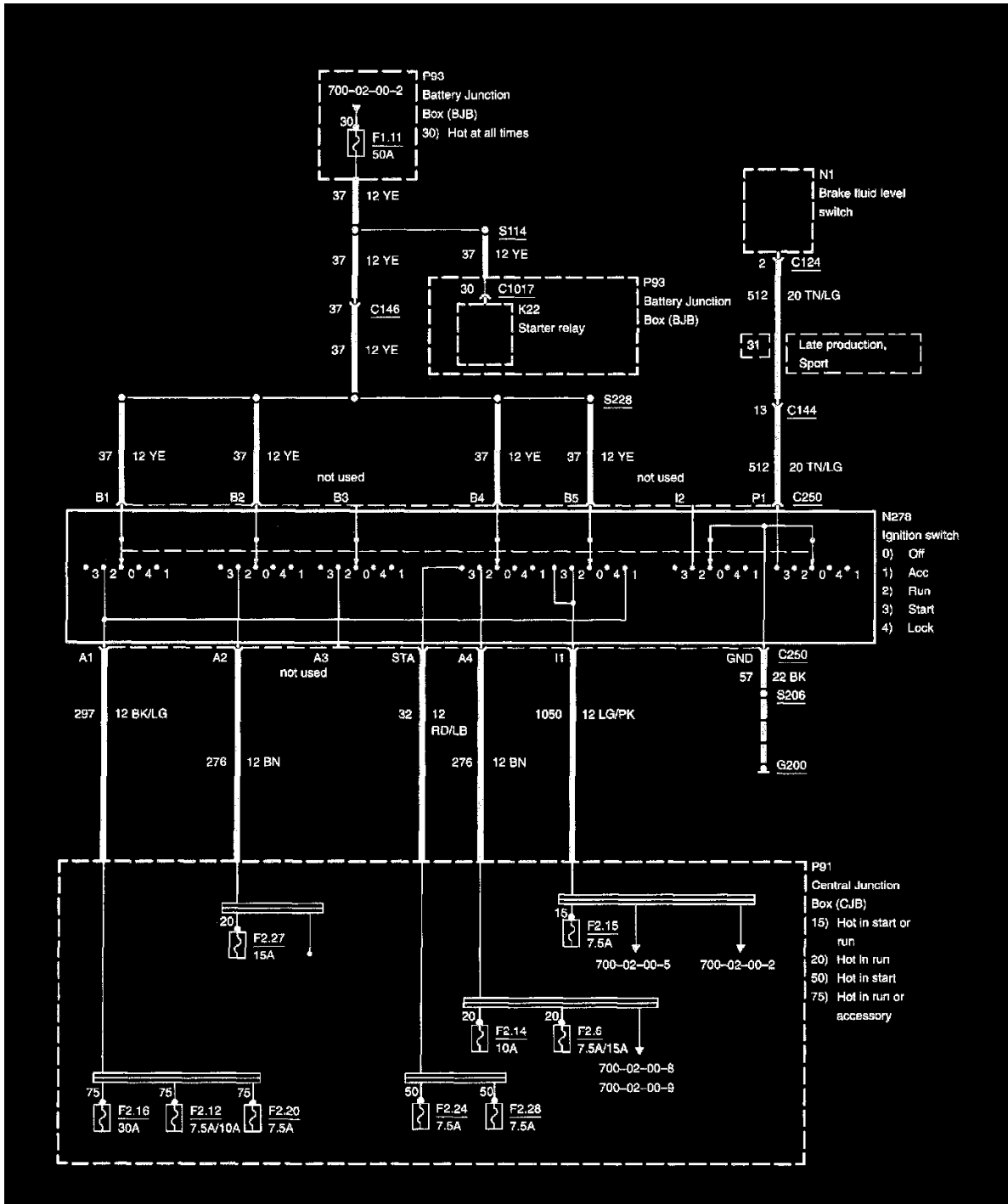


Diagram 700-02-00-7

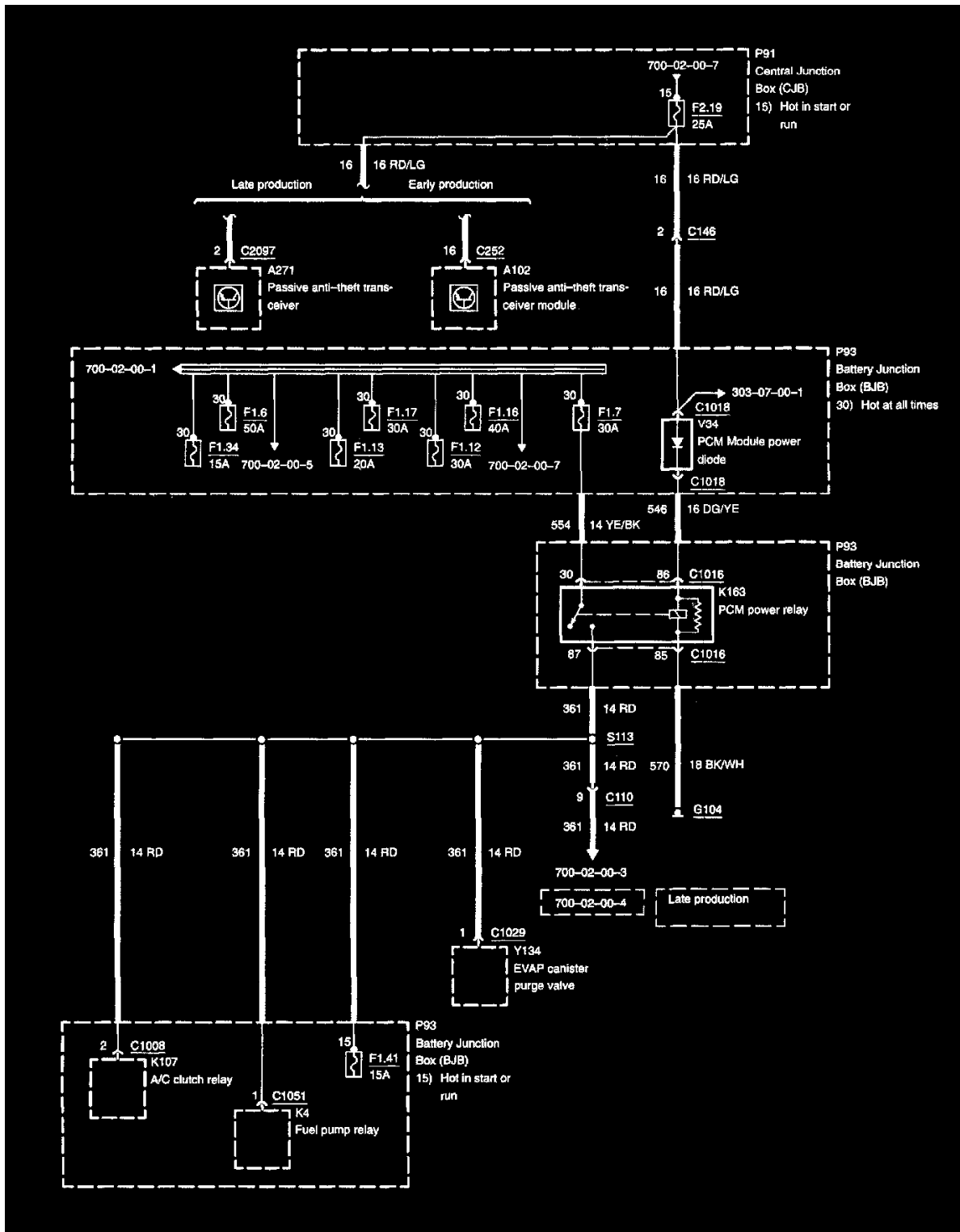


Diagram 700-02-00-2

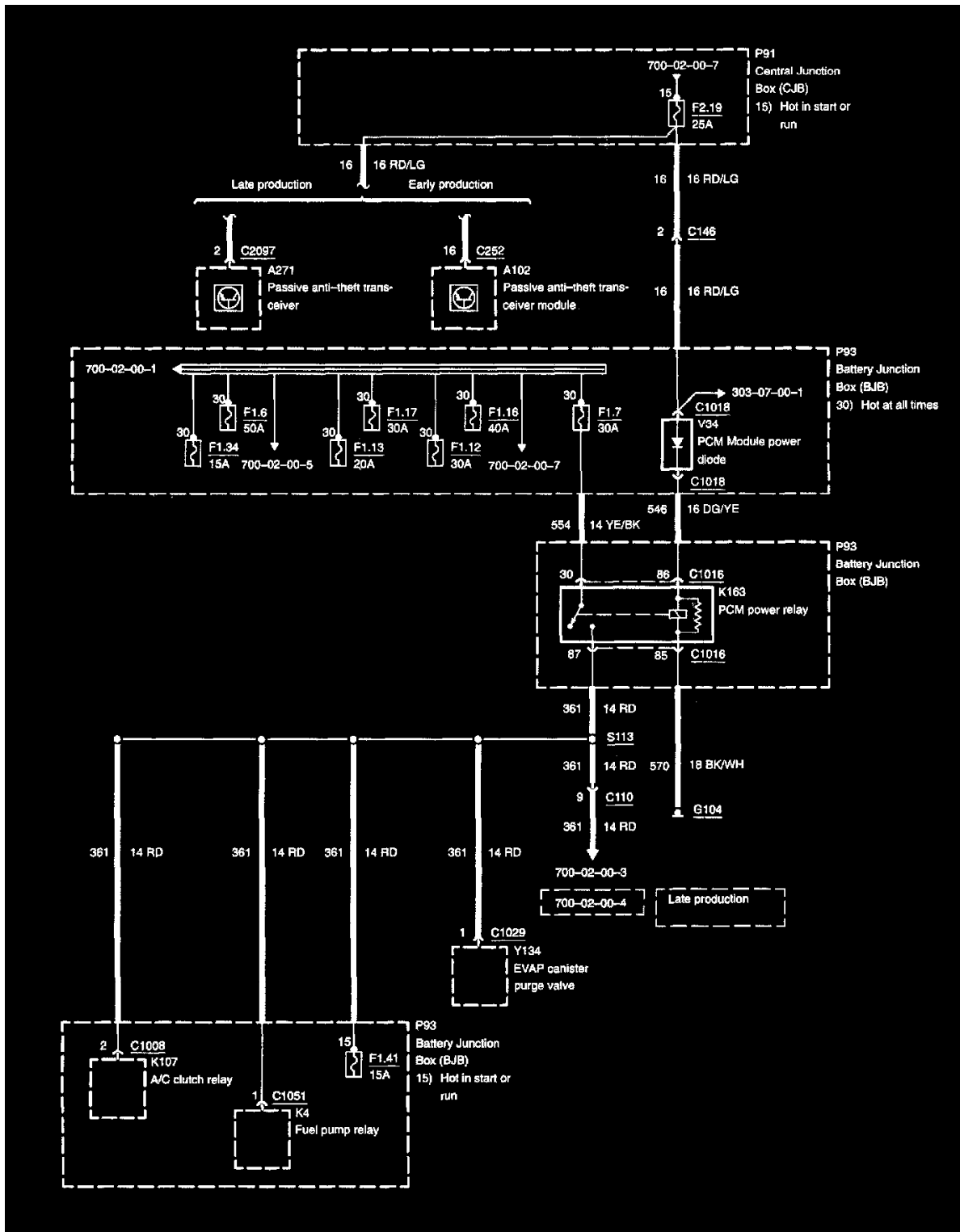


Diagram 700-02-00-2

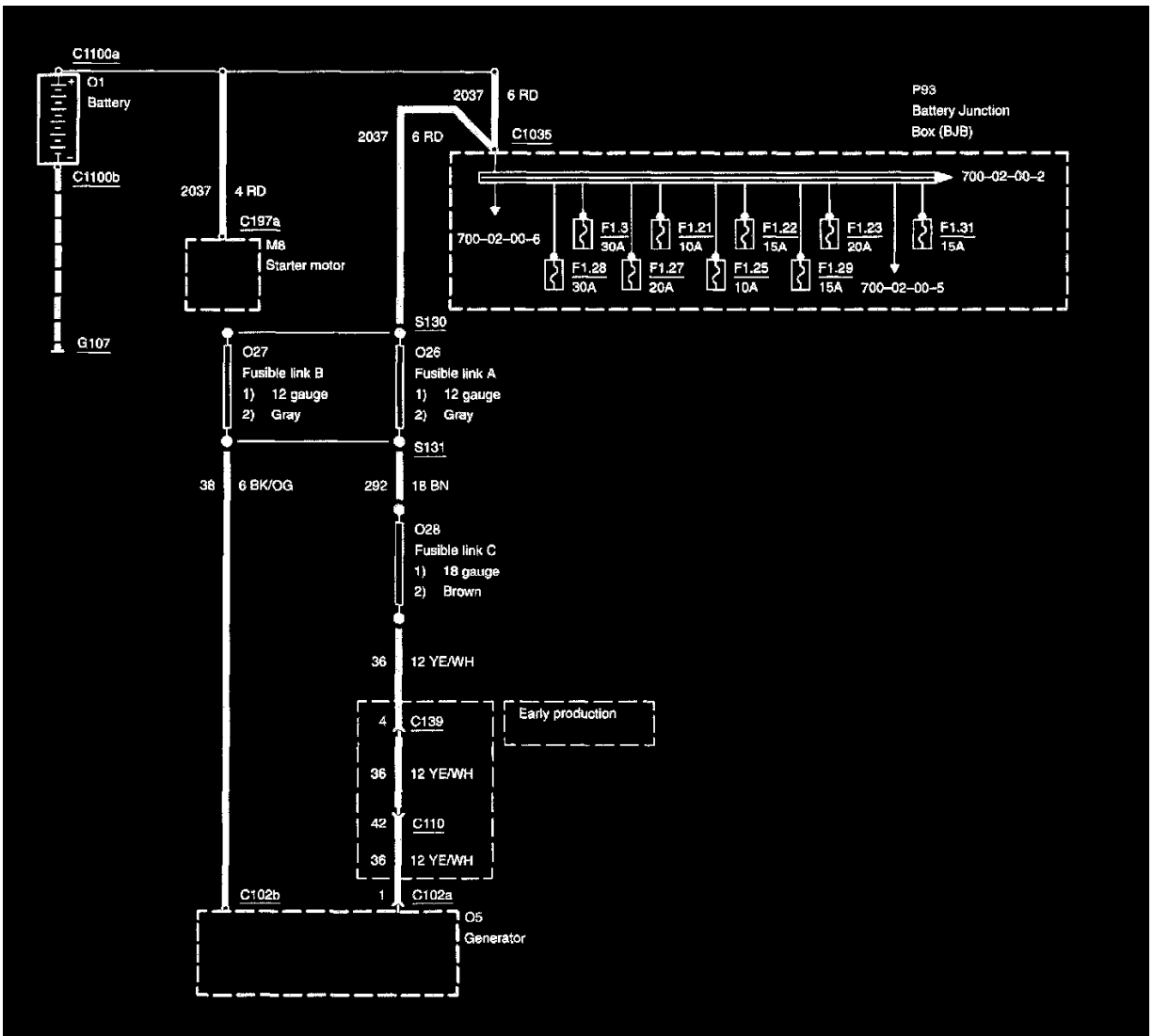


Diagram 700-02-00-1

F2.17

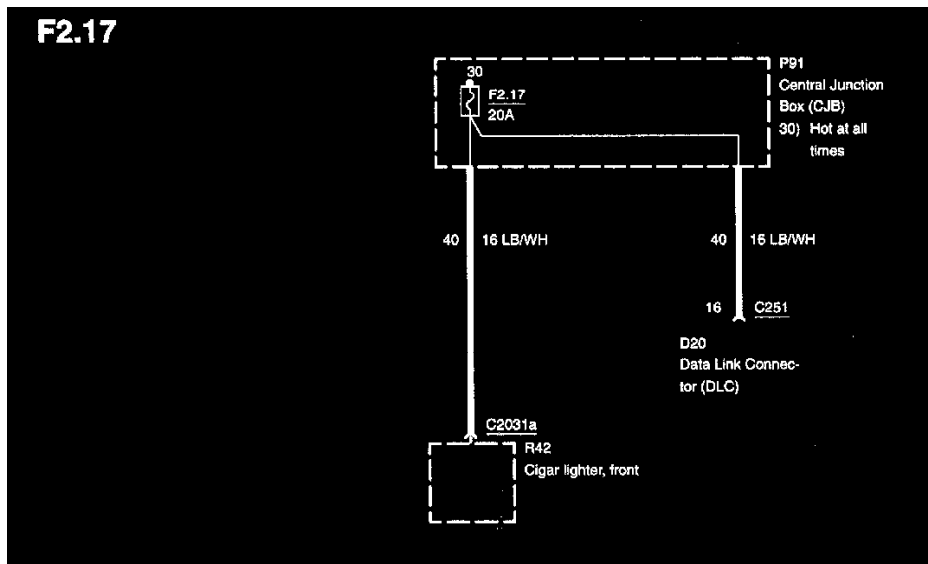


Diagram 700-03-00-18

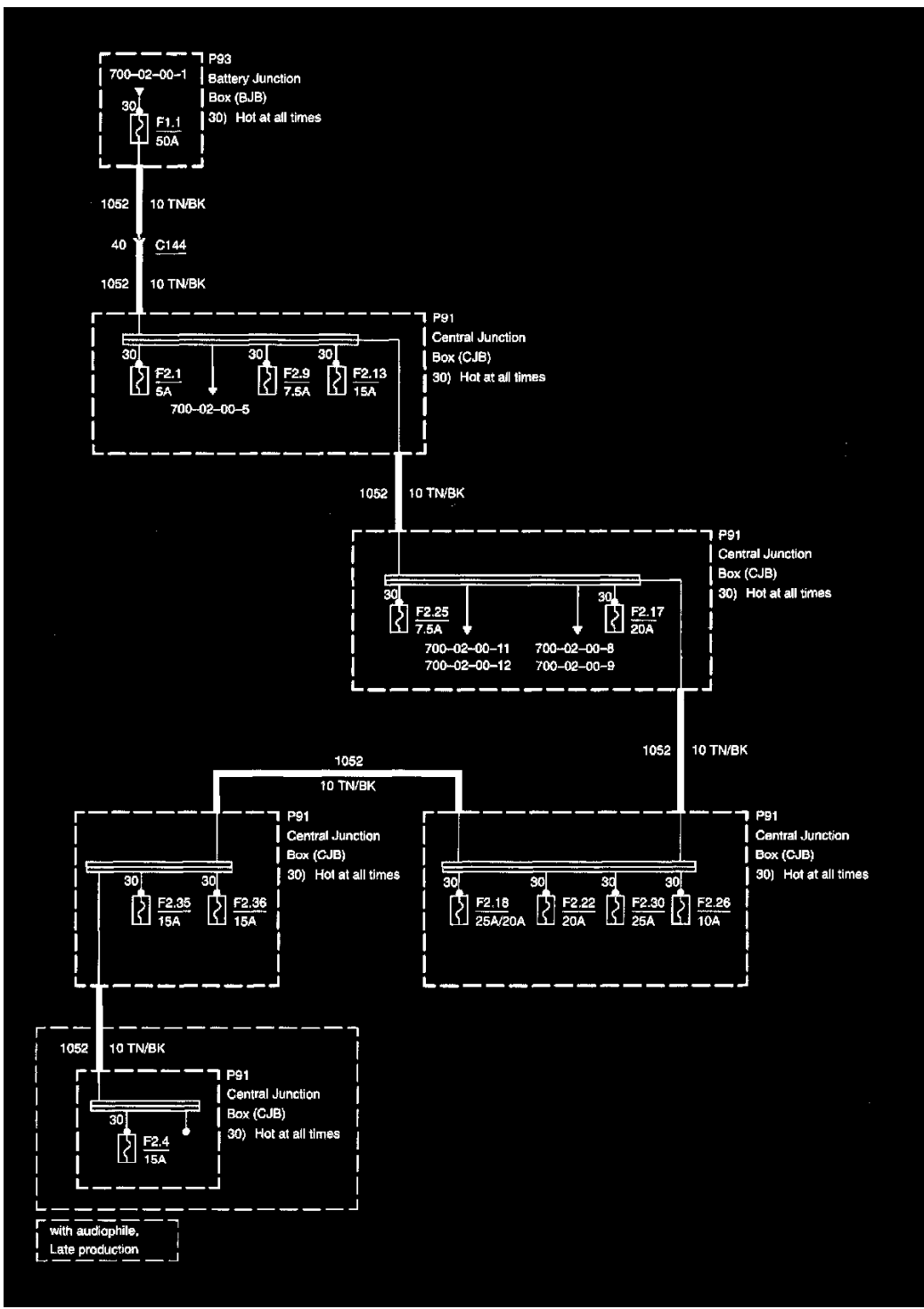


Diagram 700-02-00-6

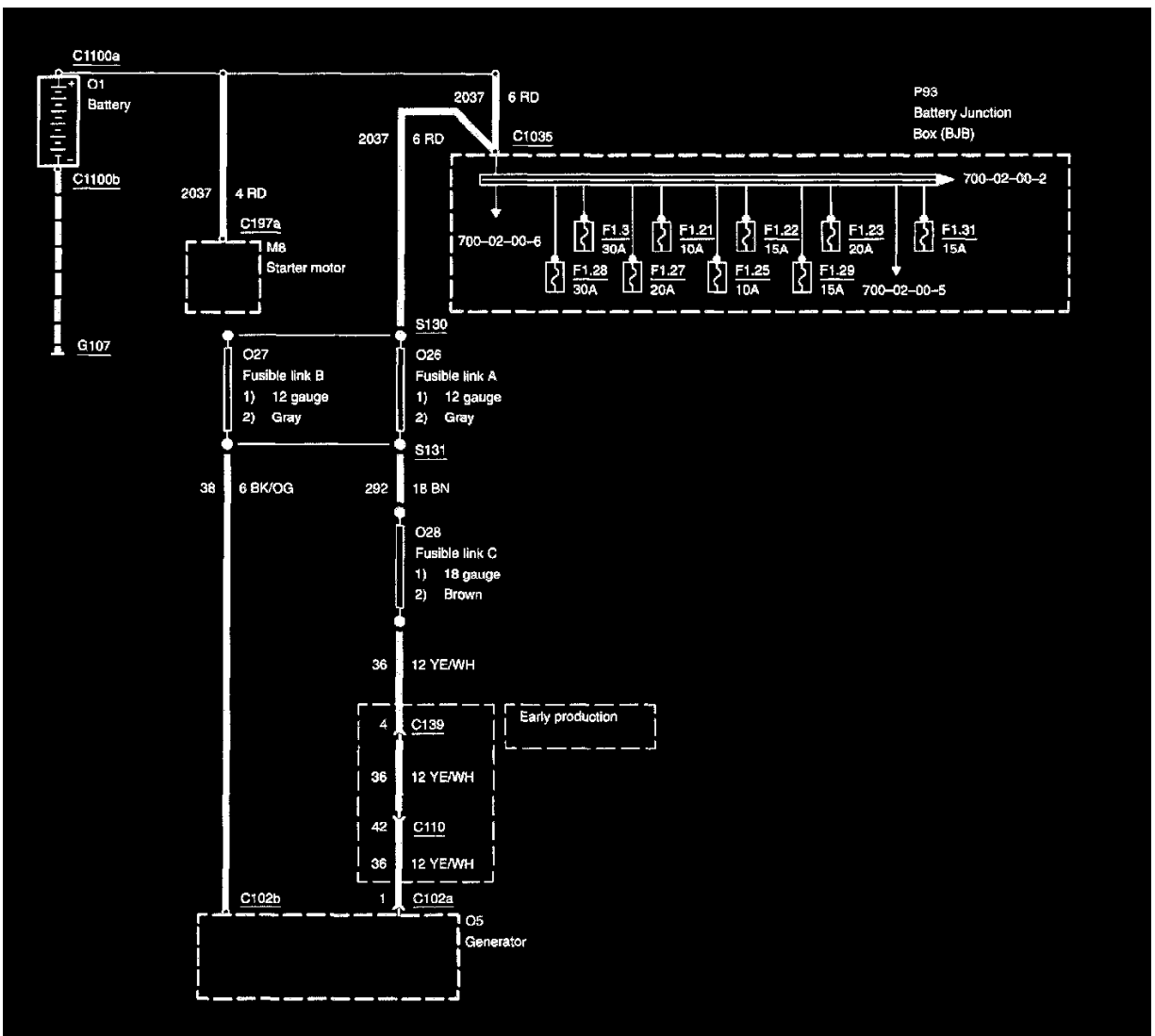


Diagram 700-02-00-1

F2.18

F2.18, Sport Trac, Early production

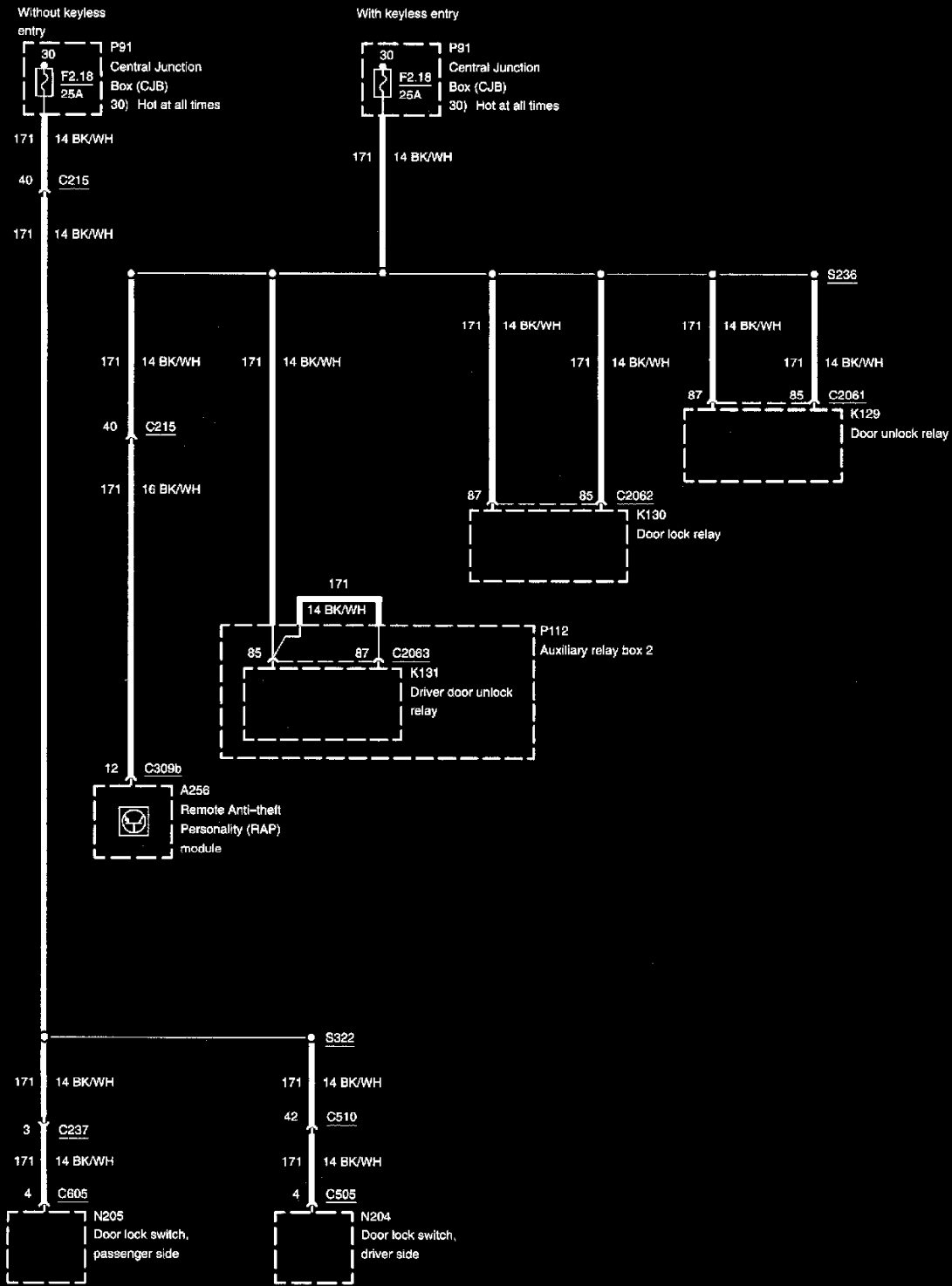


Diagram 700-03-00-20

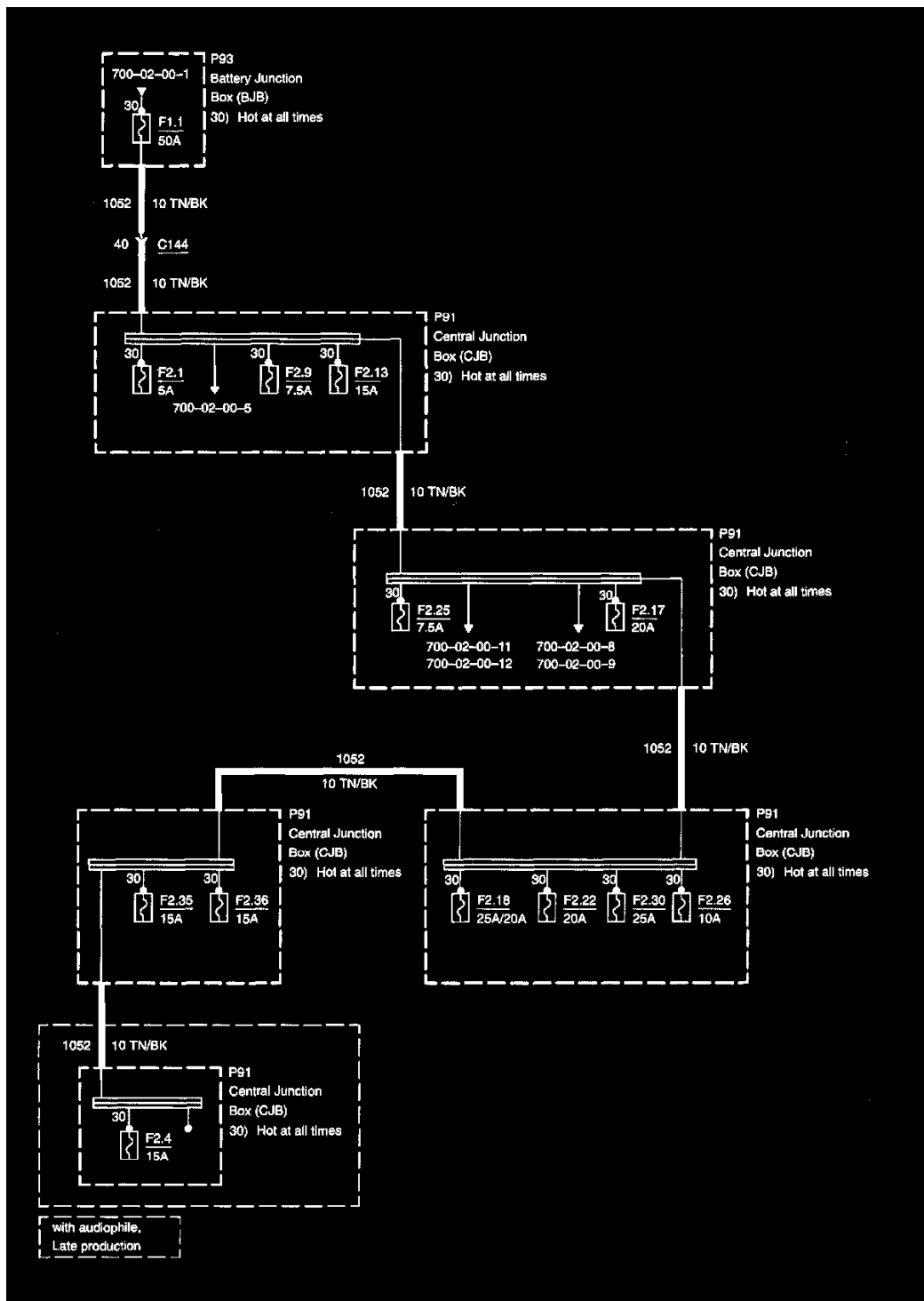


Diagram 700-02-00-6

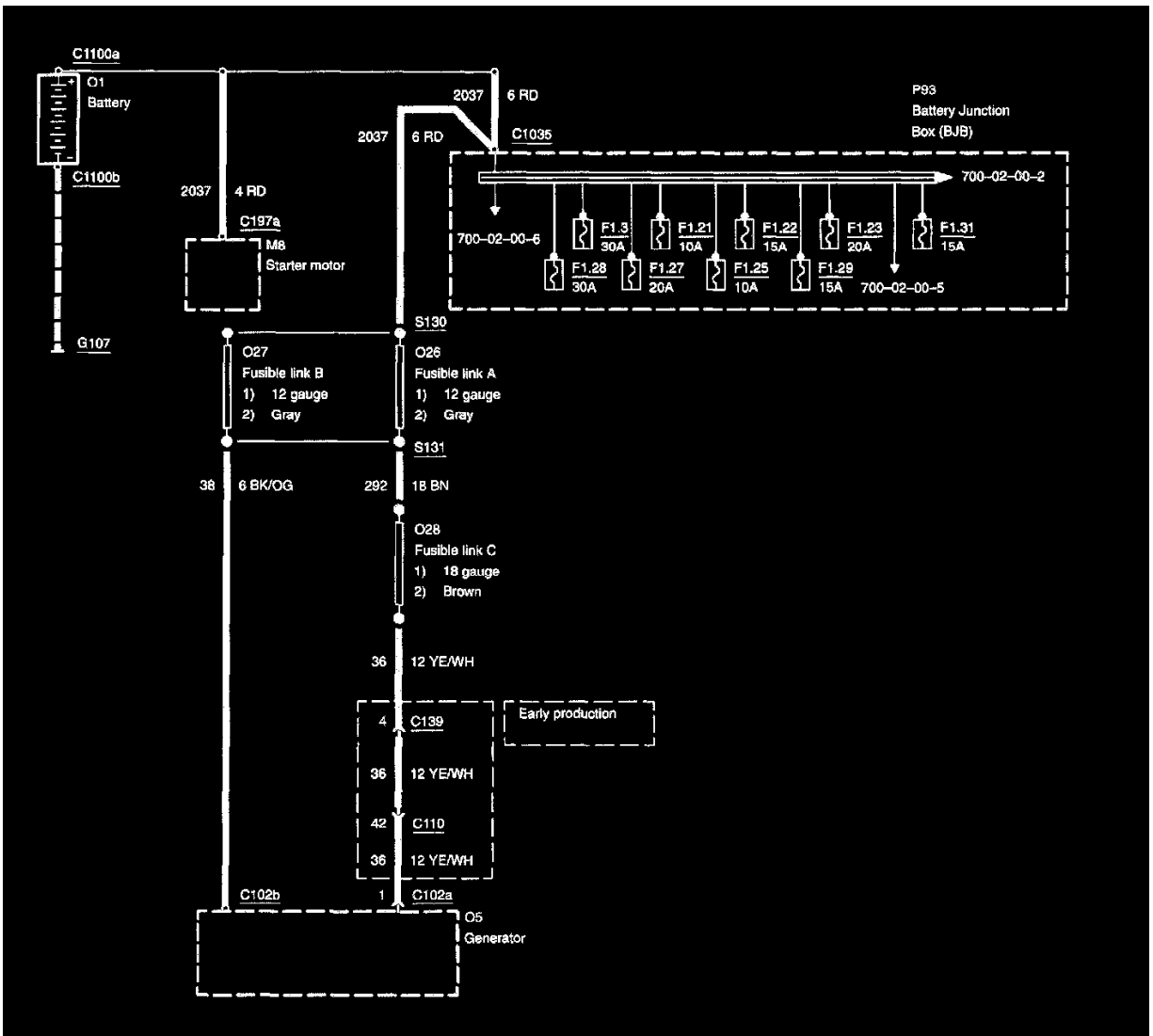


Diagram 700-02-00-1

F2.20

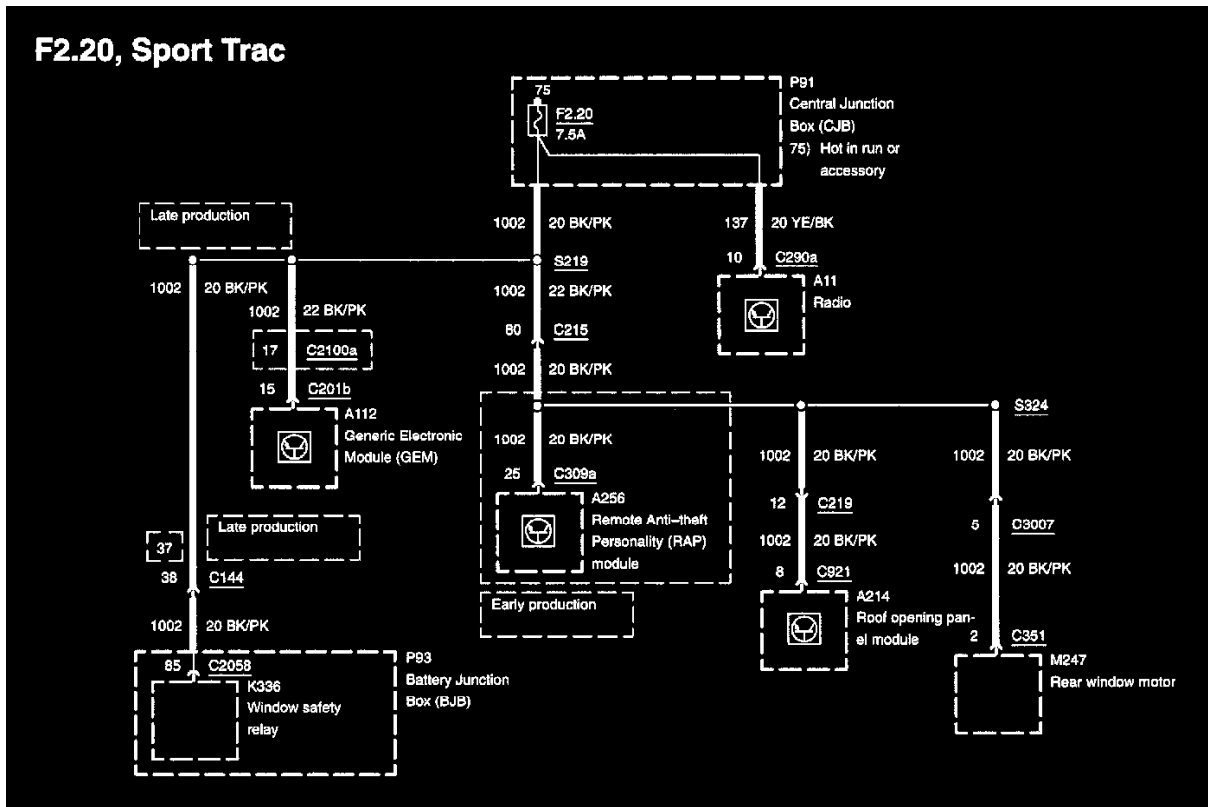


Diagram 700-03-00-23

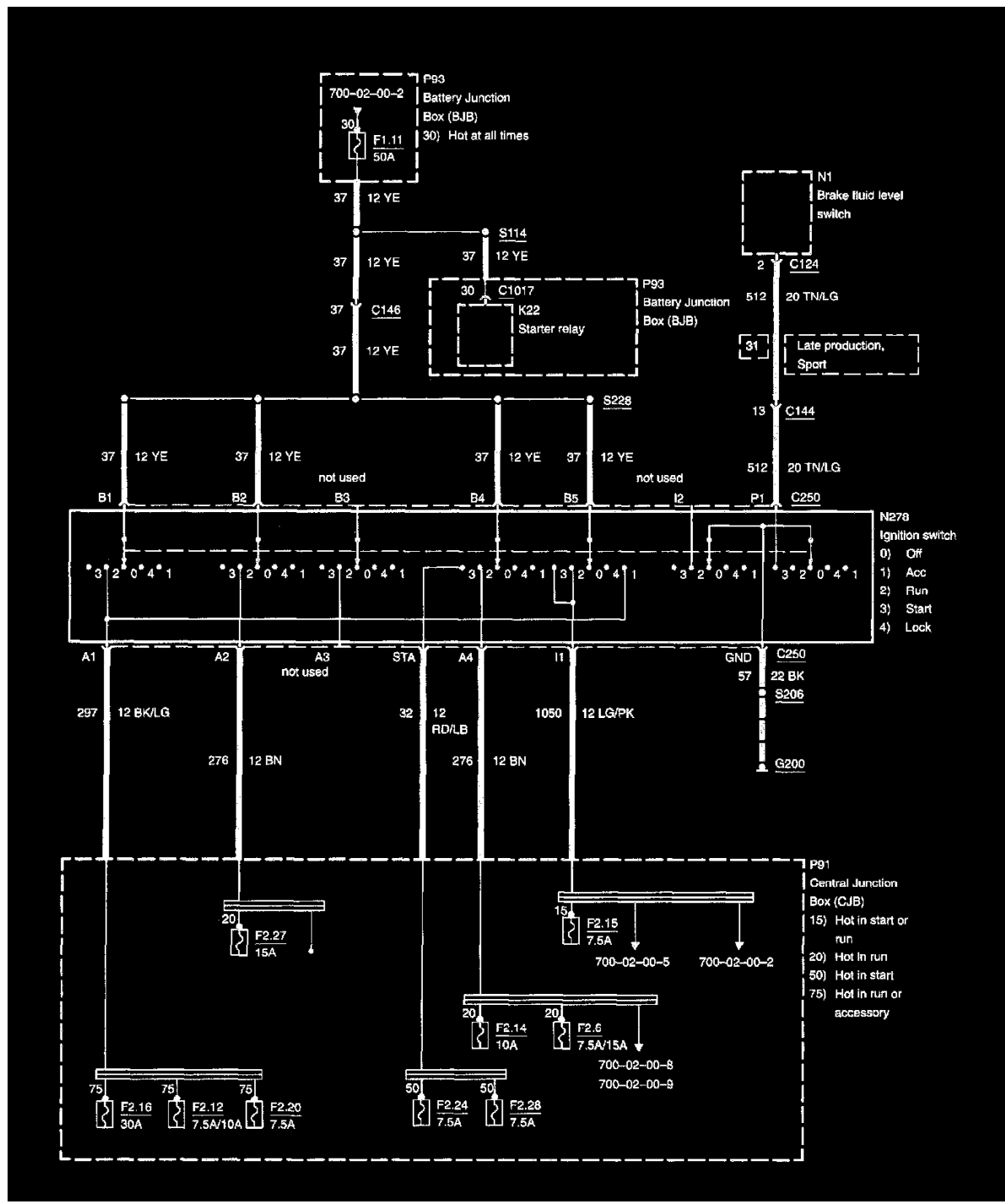


Diagram 700-02-00-7

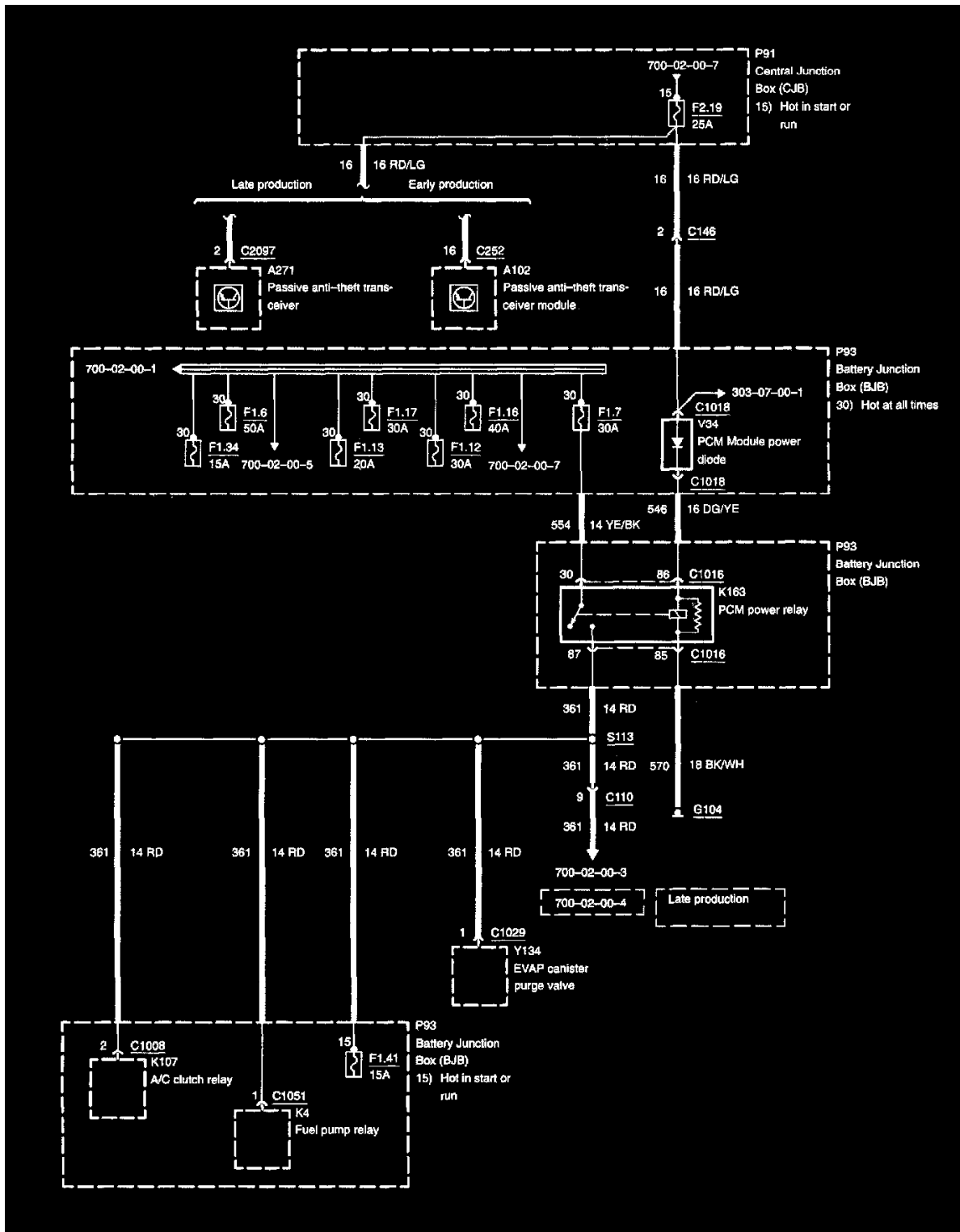


Diagram 700-02-00-2

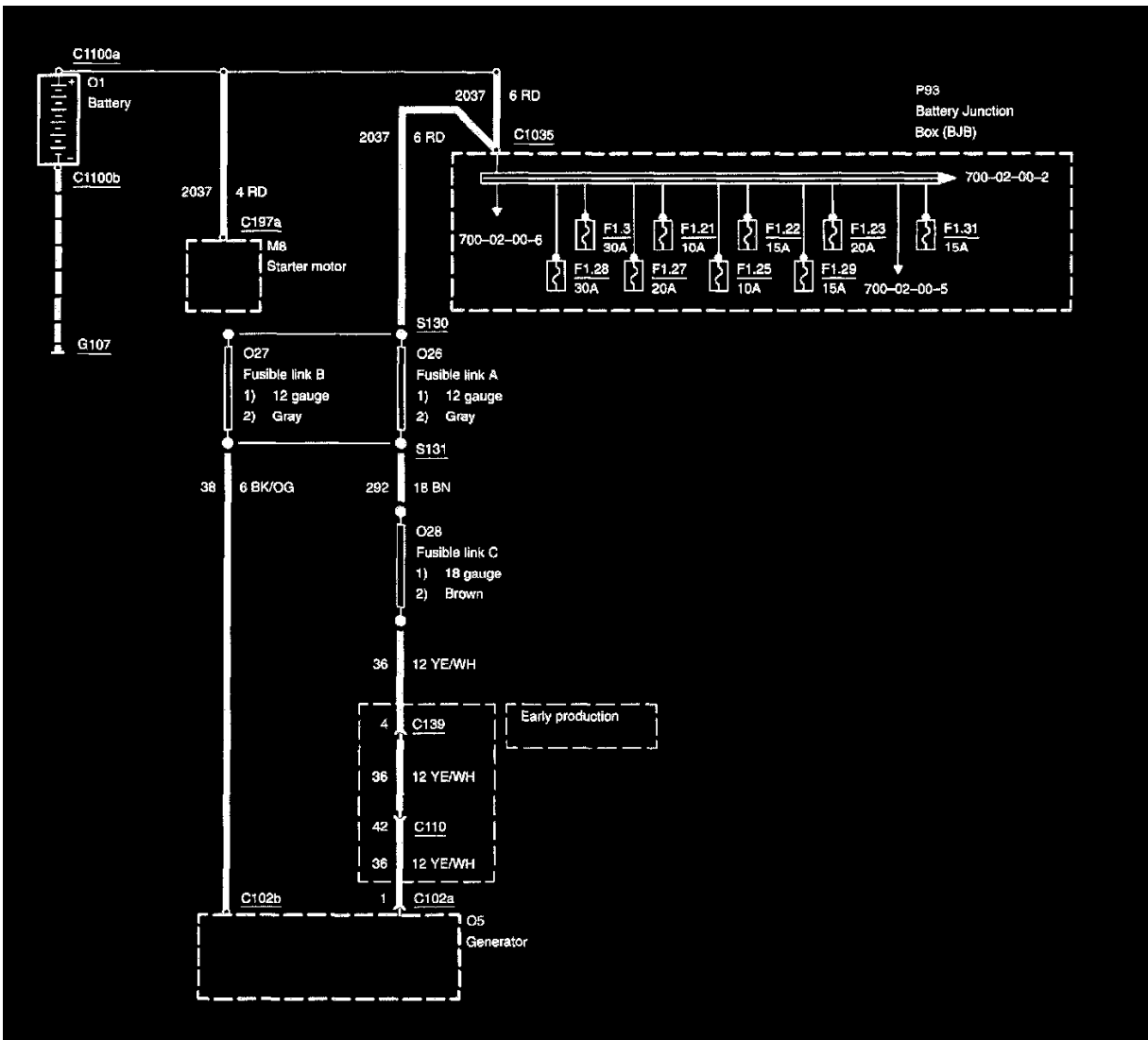


Diagram 700-02-00-1

F2.22

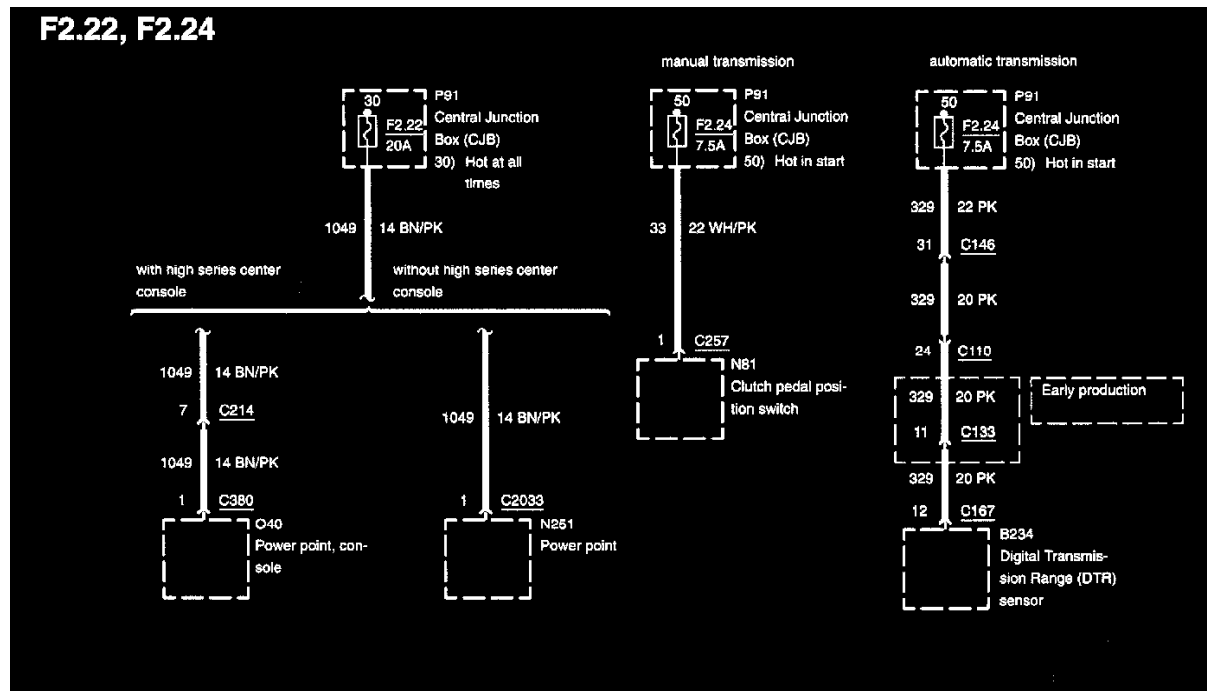


Diagram 700-03-00-24

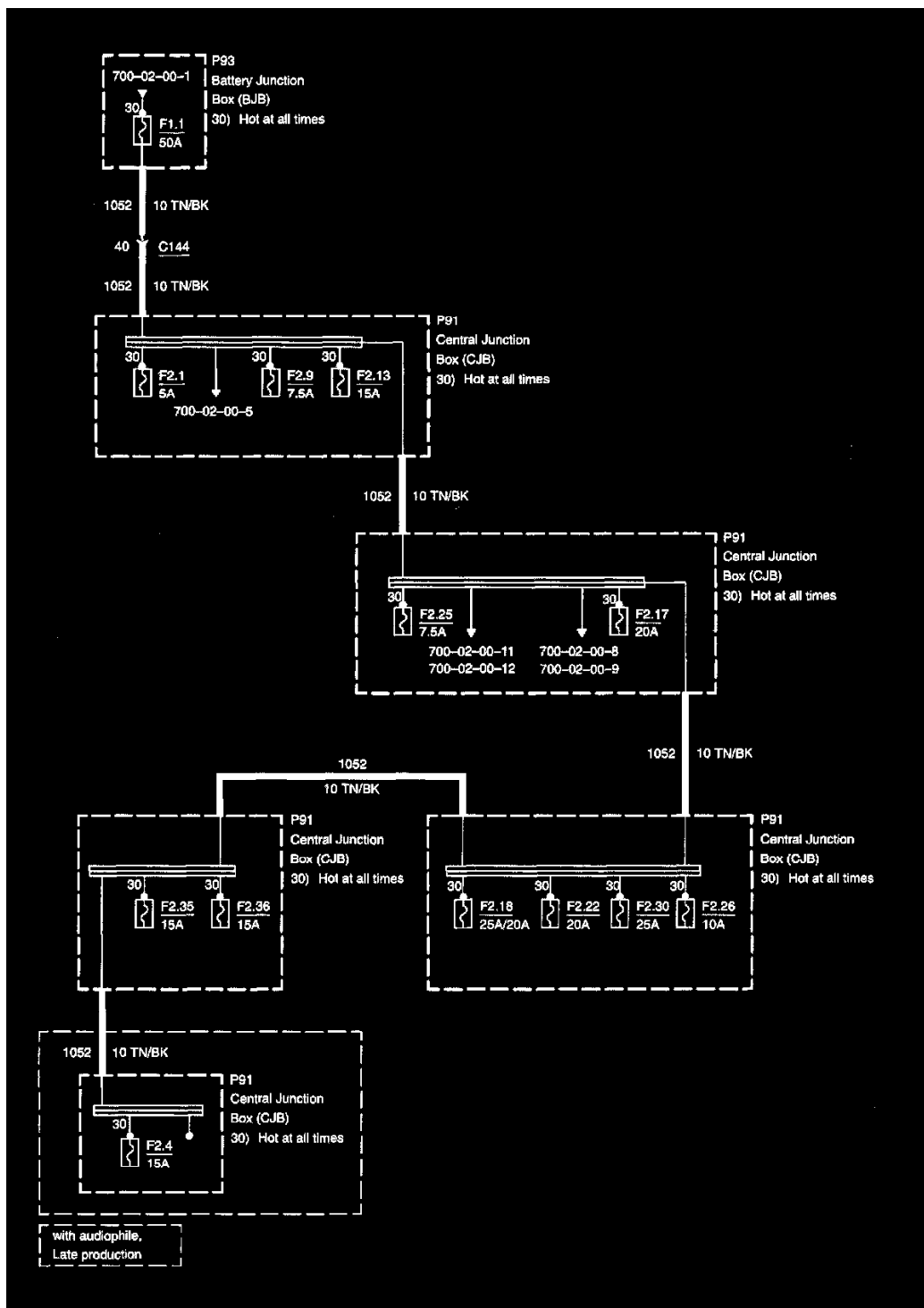


Diagram 700-02-00-6

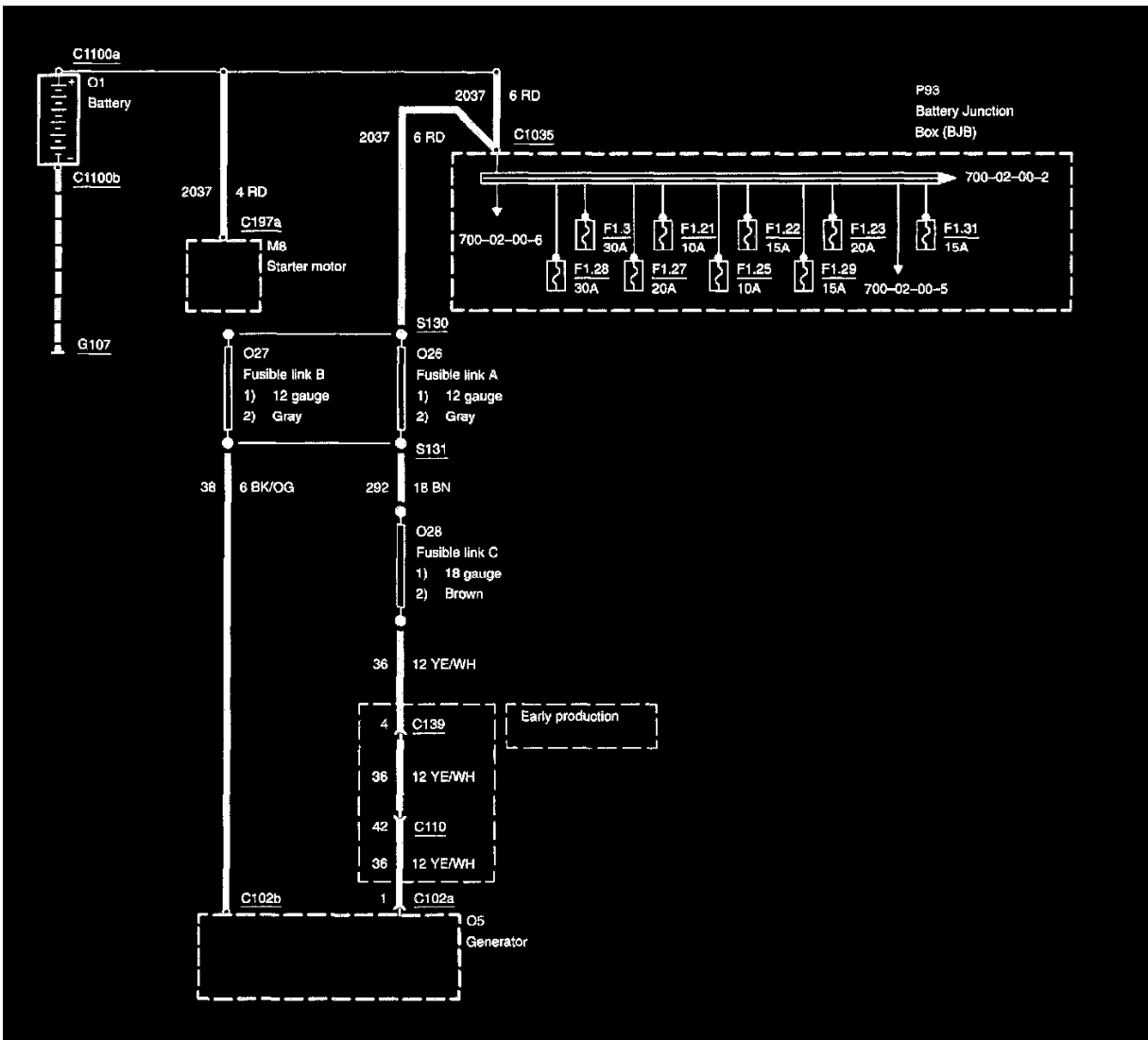
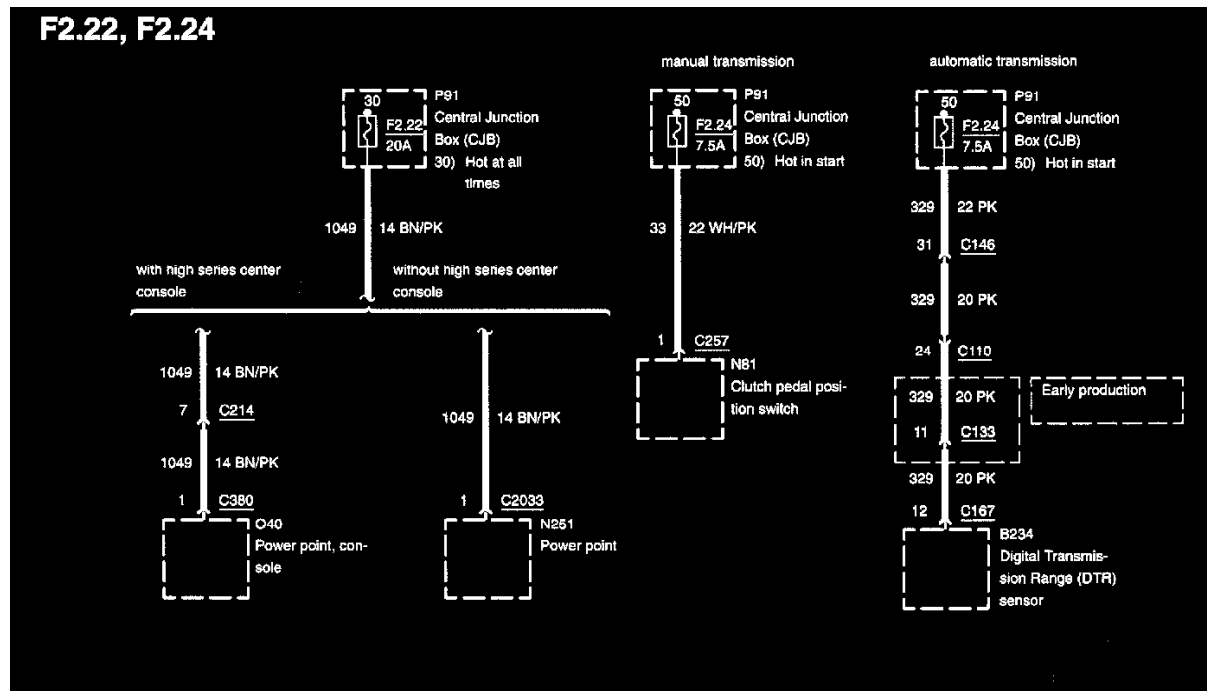


Diagram 700-02-00-1

F2.24



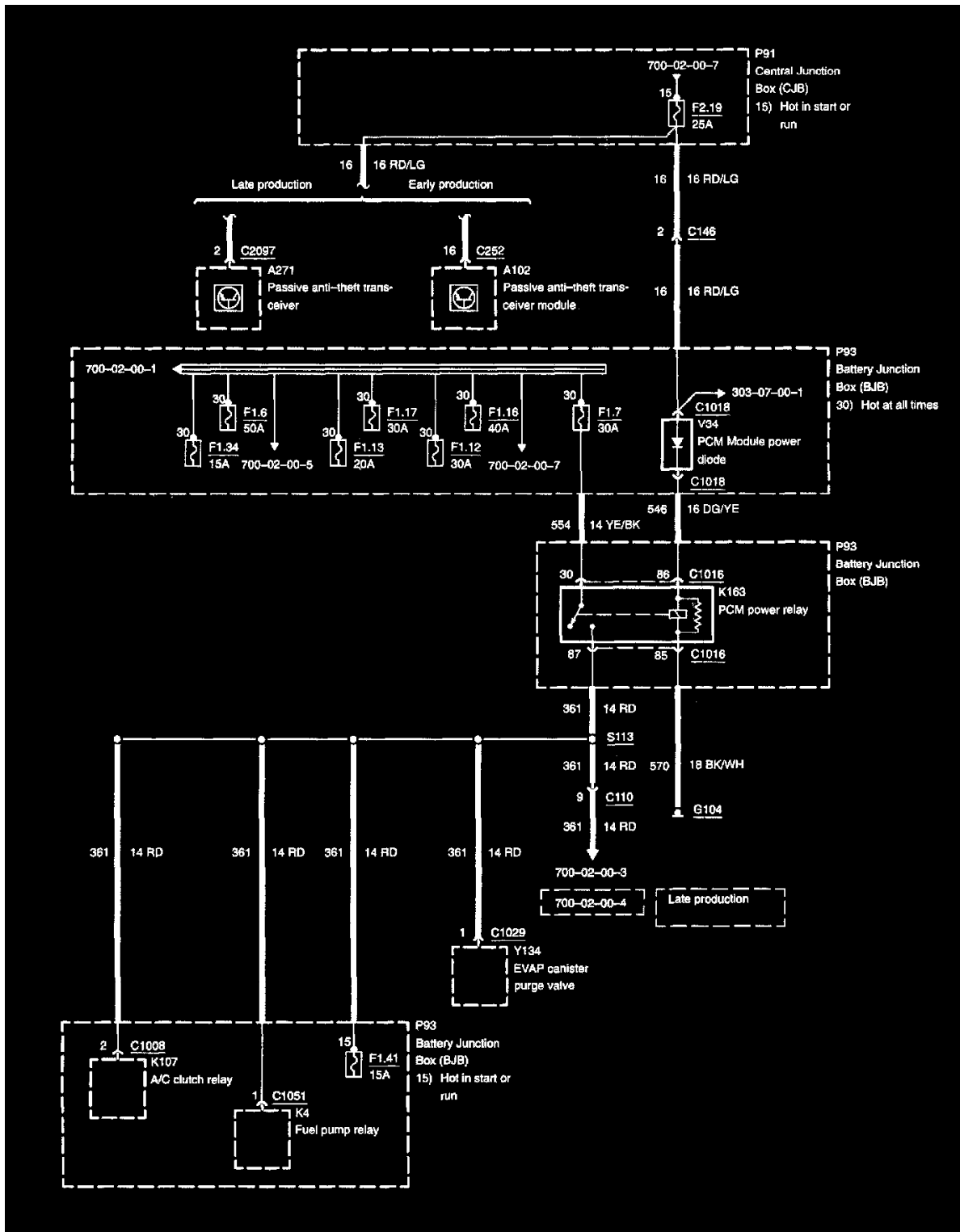


Diagram 700-02-00-2

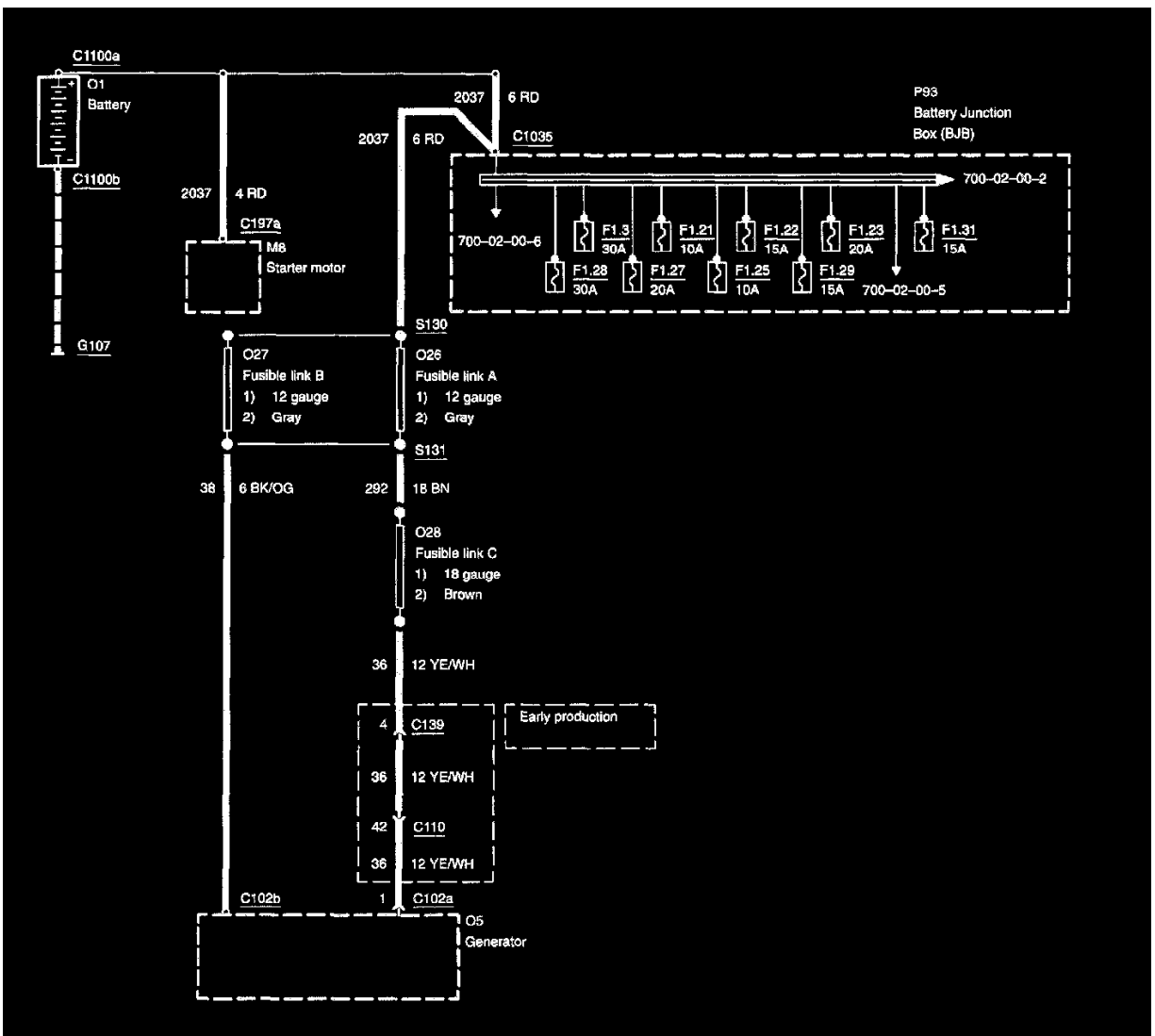


Diagram 700-02-00-1

F2.25

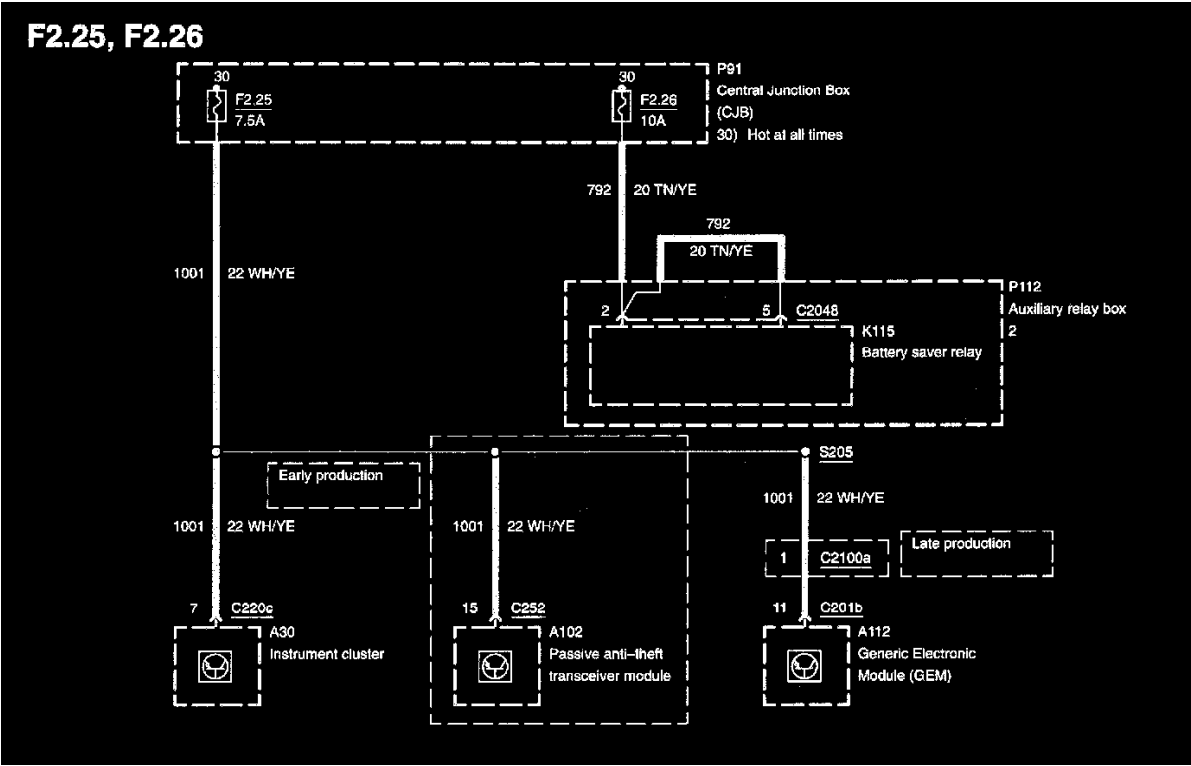


Diagram 700-03-00-25

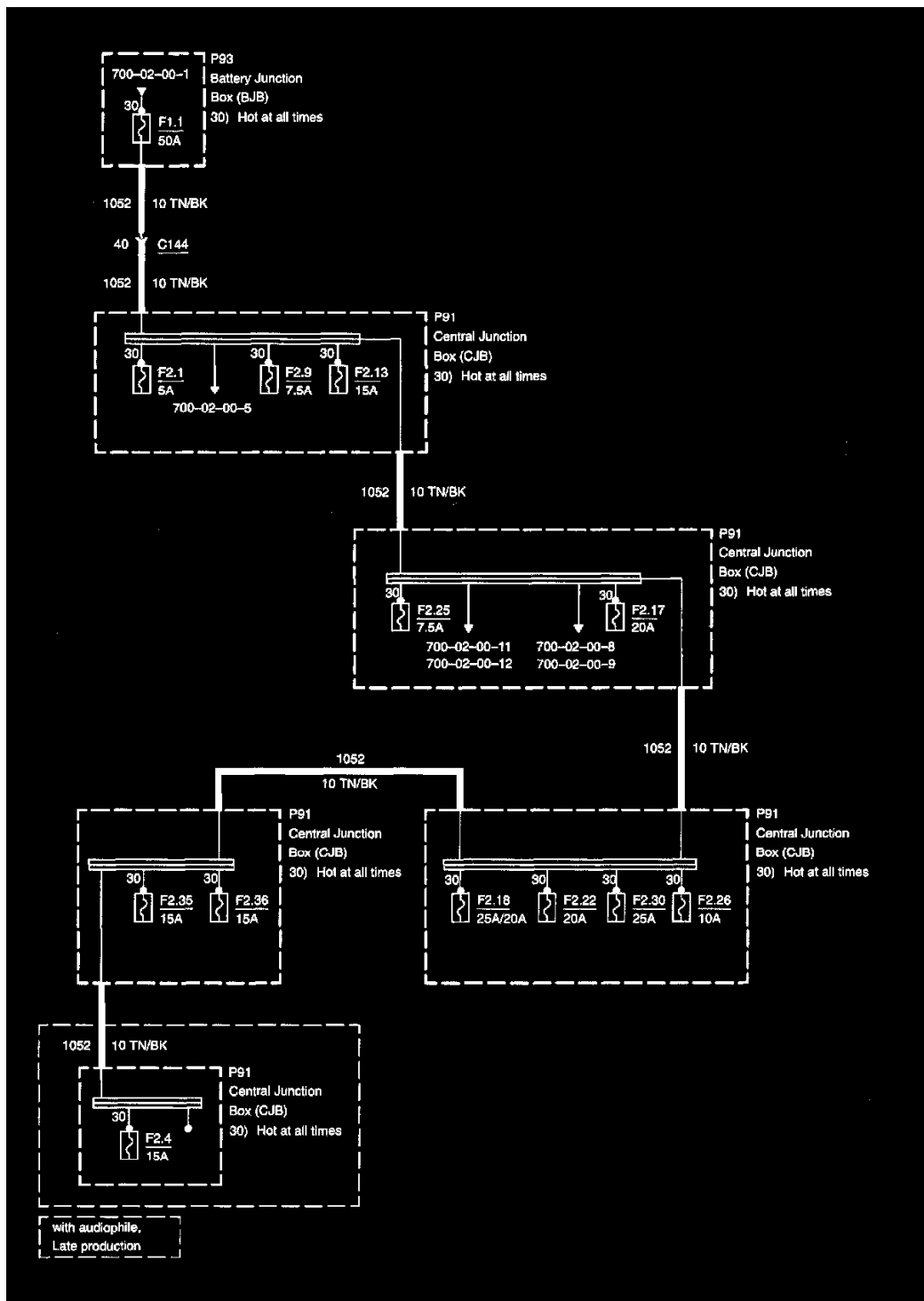


Diagram 700-02-00-6

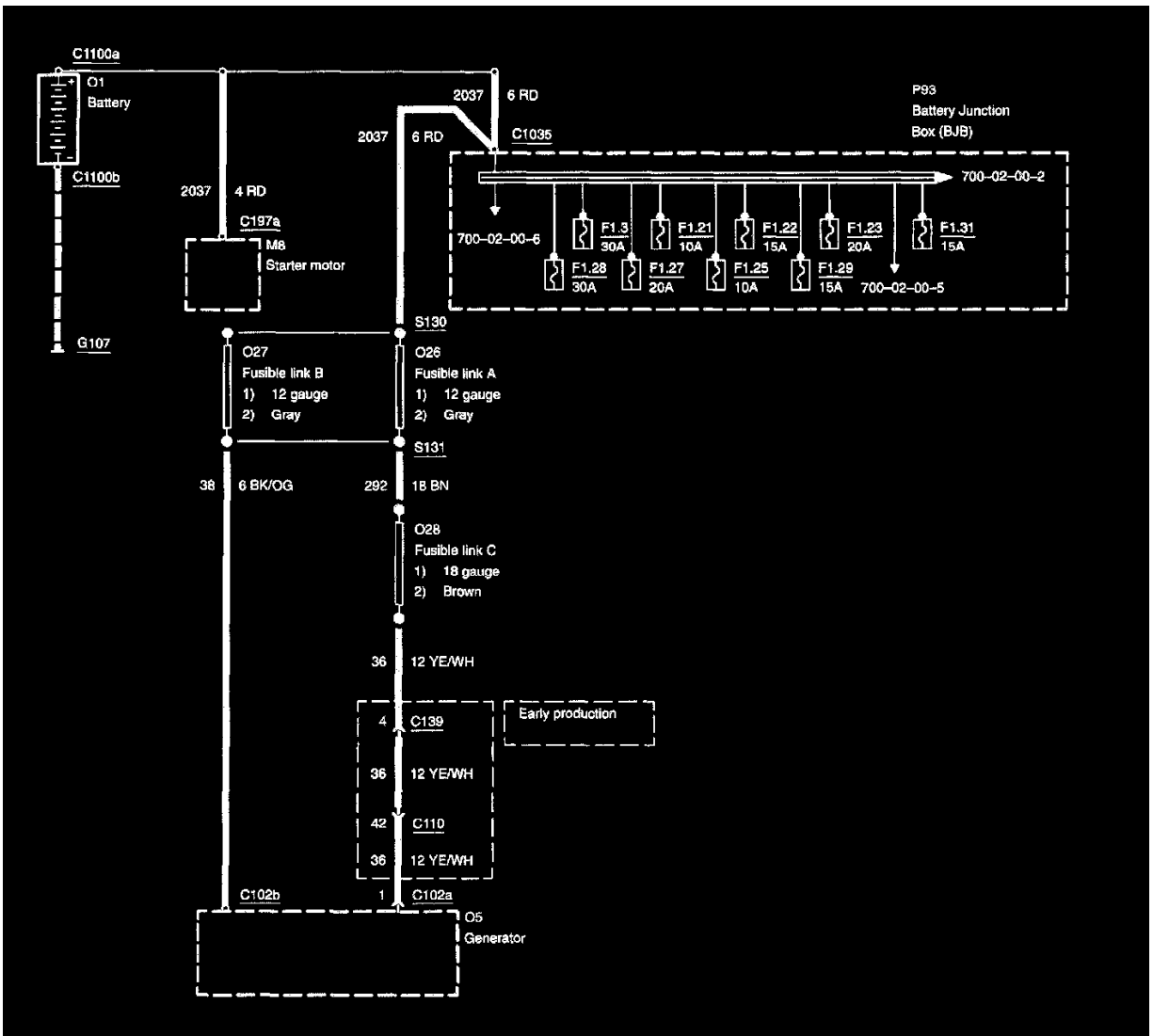


Diagram 700-02-00-1

F2.26

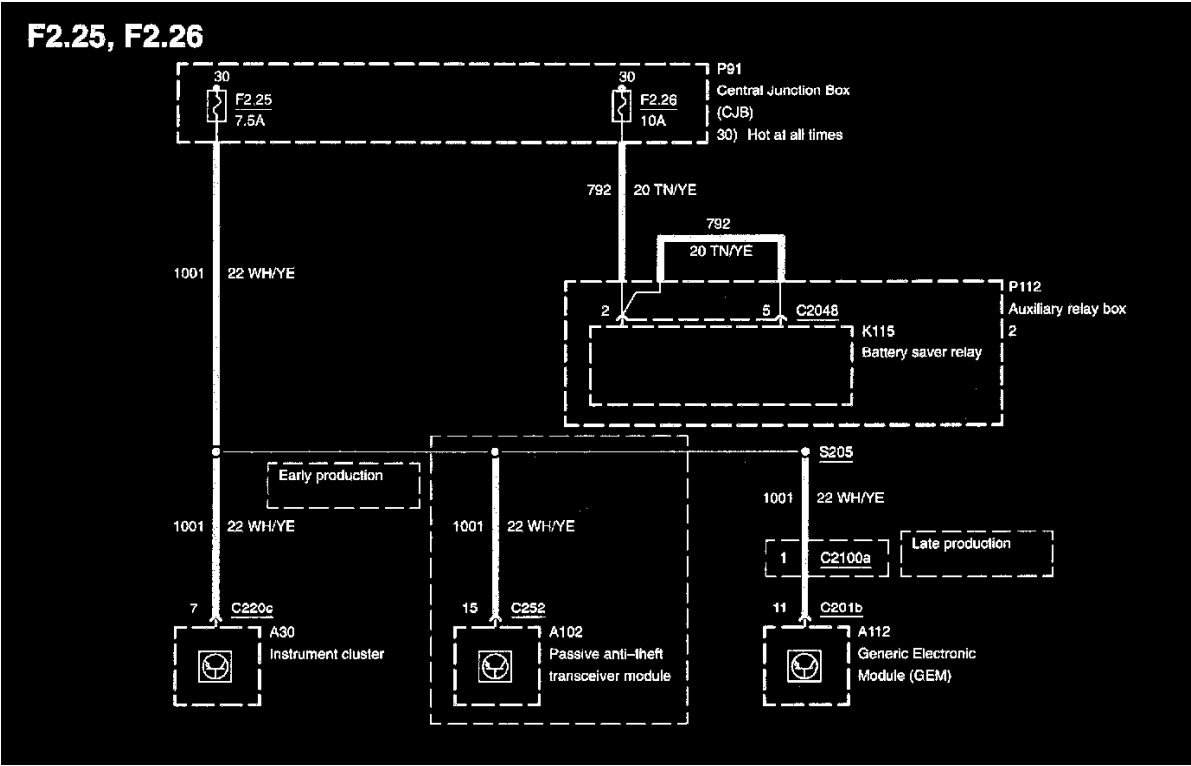


Diagram 700-03-00-25

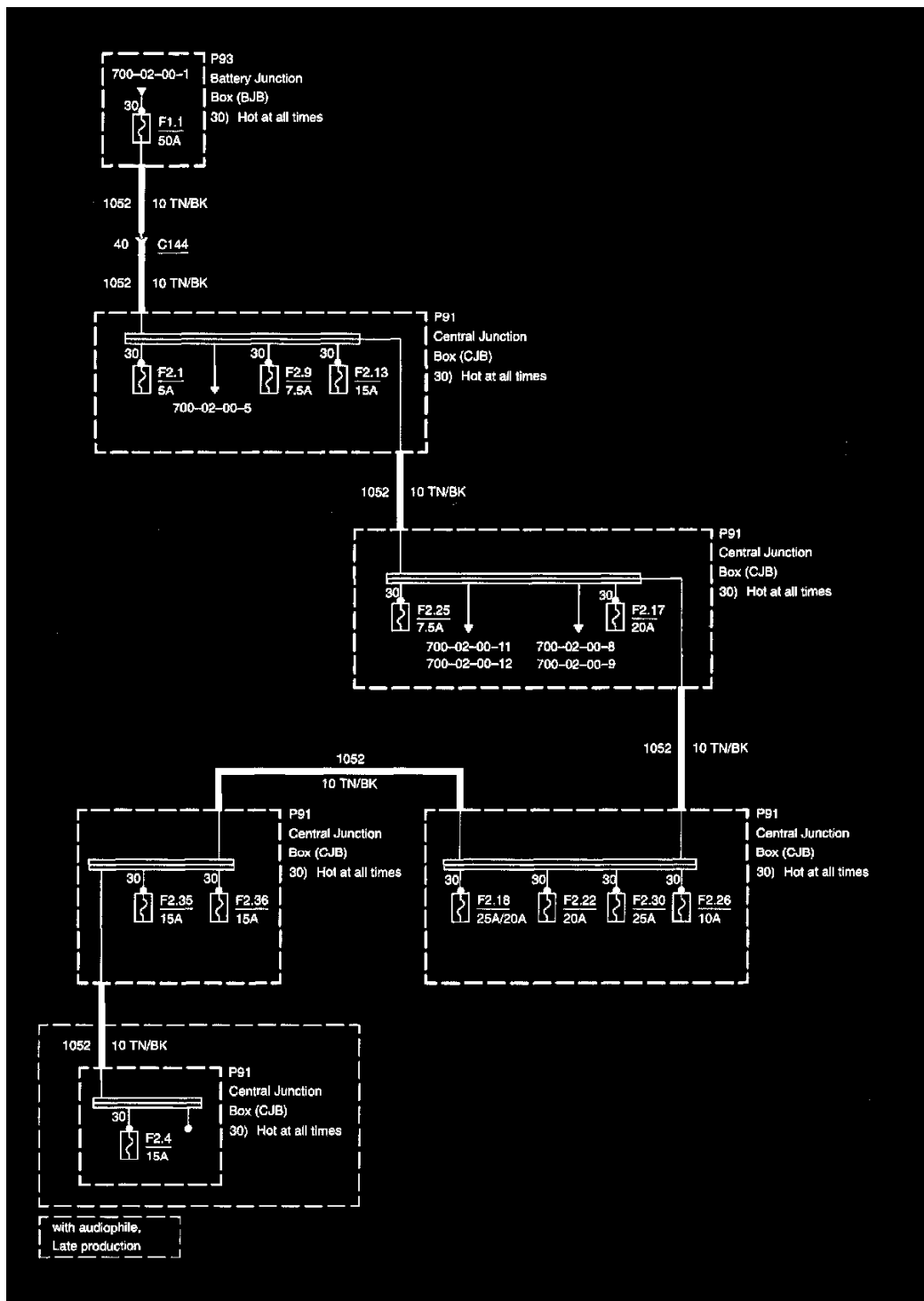


Diagram 700-02-00-6

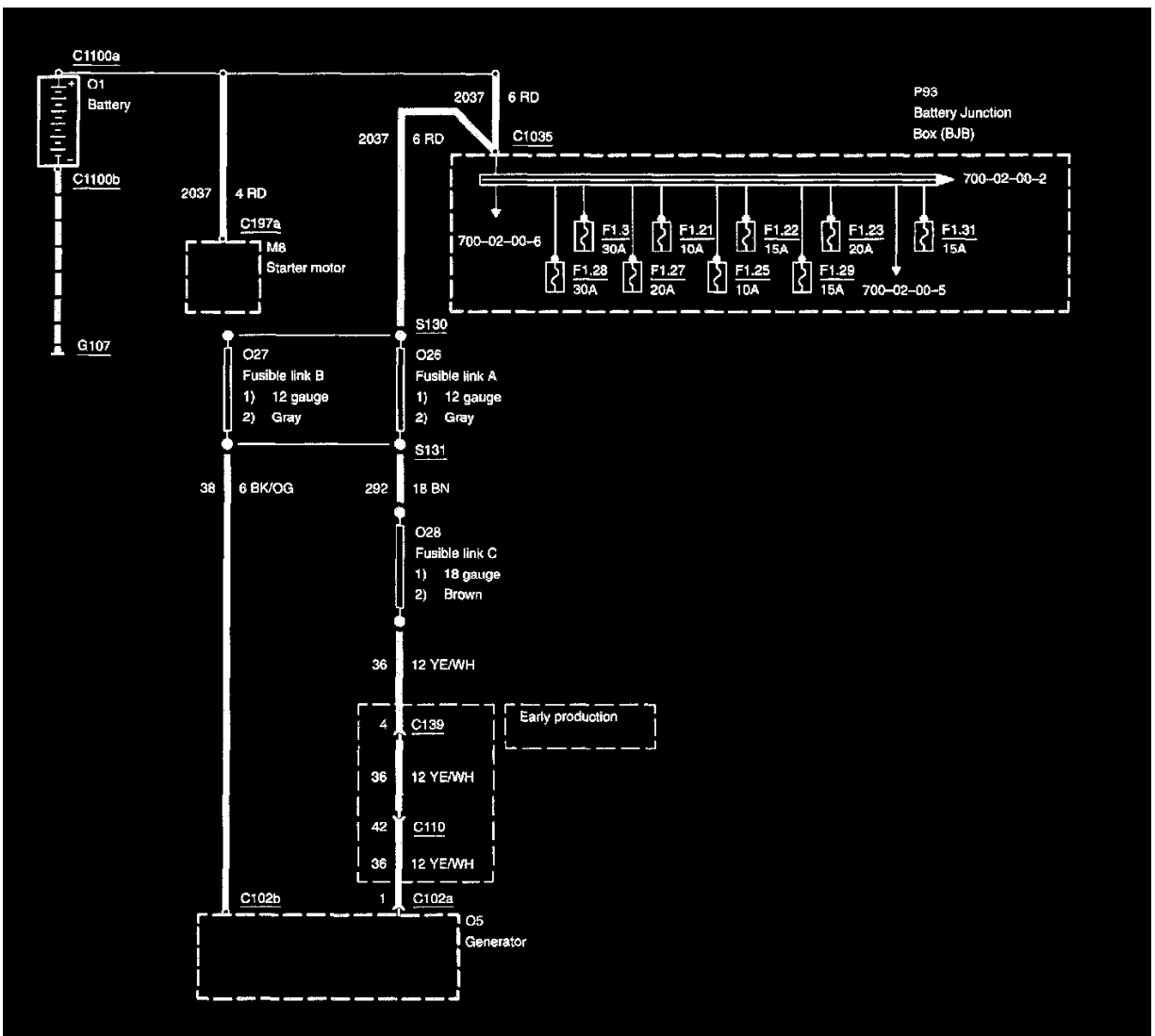


Diagram 700-02-00-1

F2.27

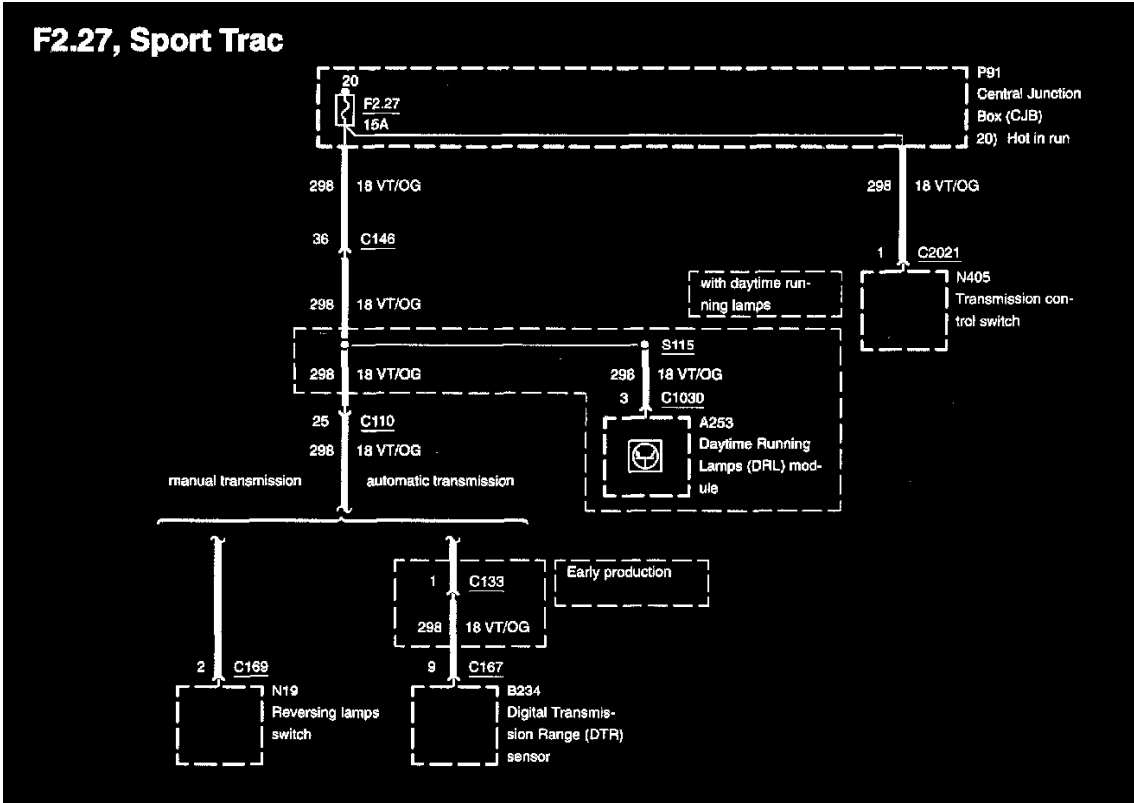


Diagram 700-03-00-27

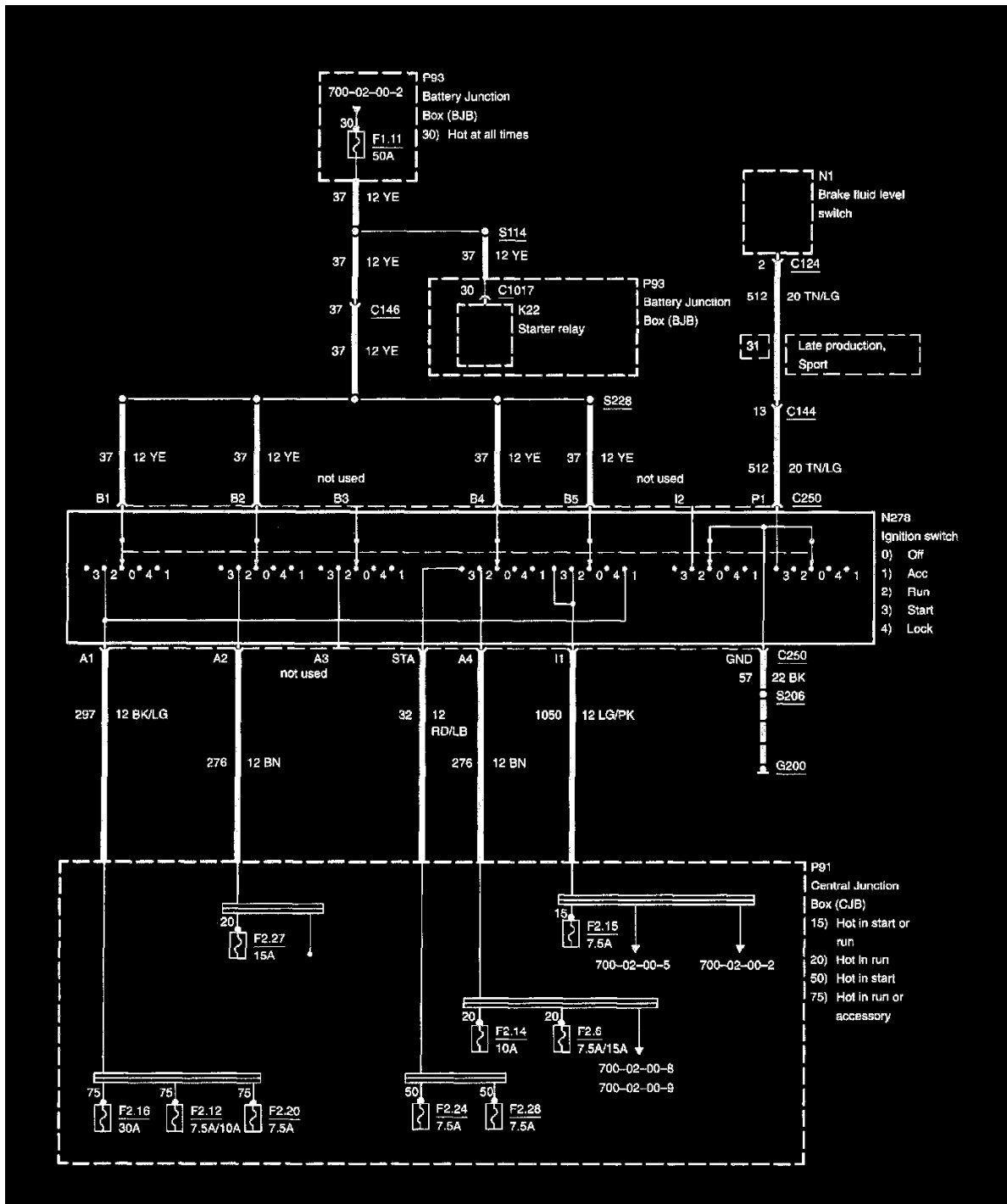


Diagram 700-02-00-7

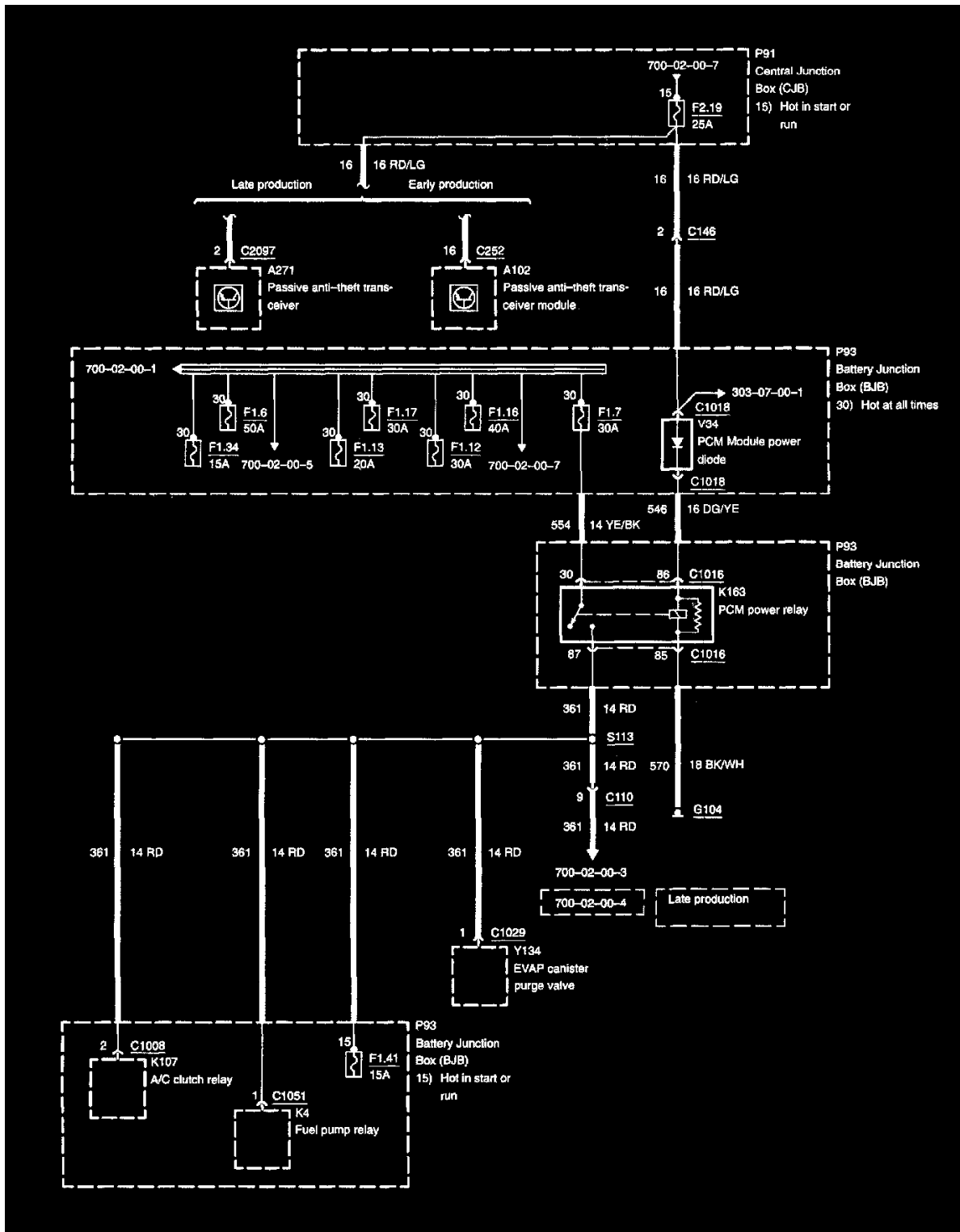


Diagram 700-02-00-2

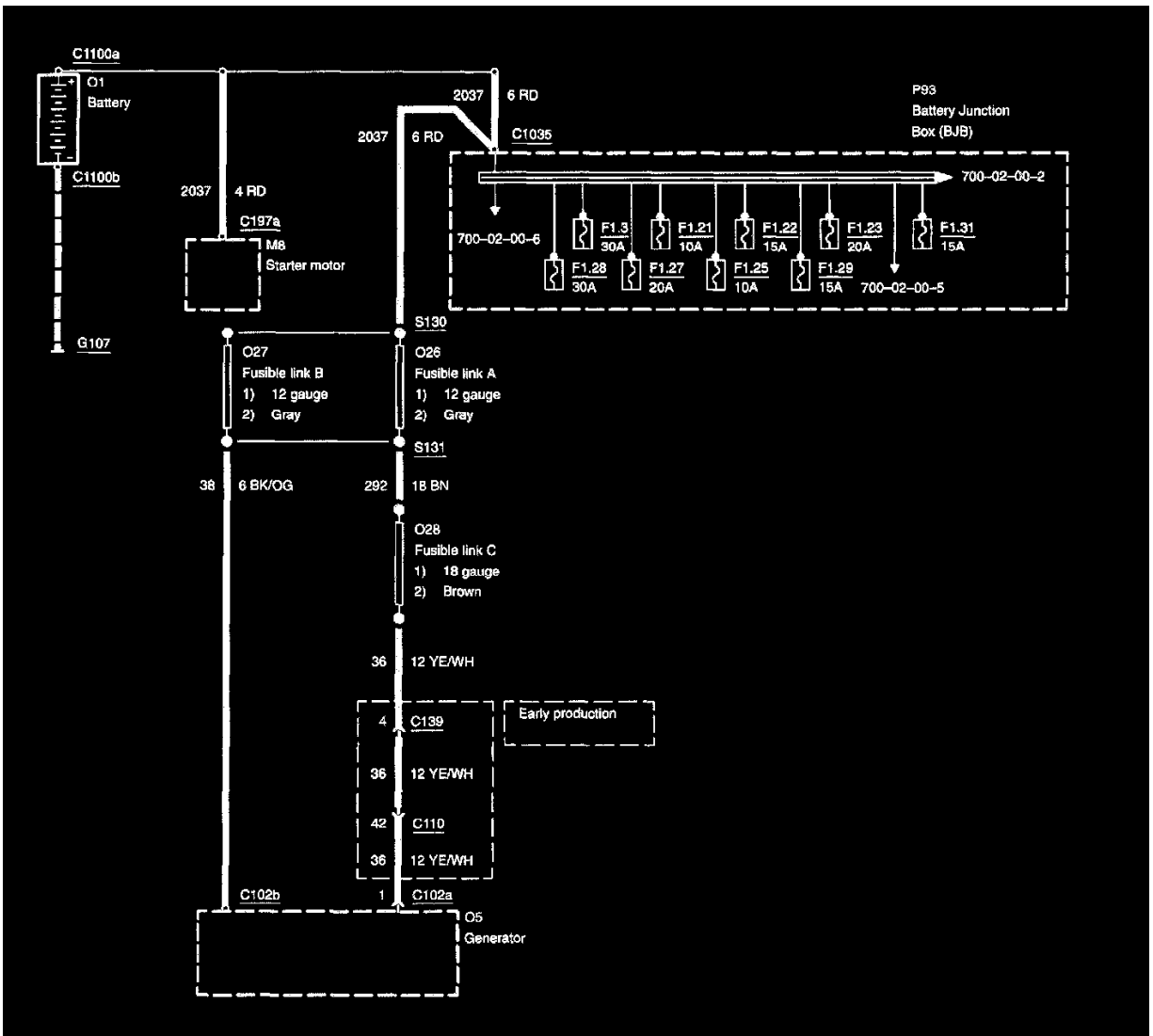


Diagram 700-02-00-1

F2.28

F2.28

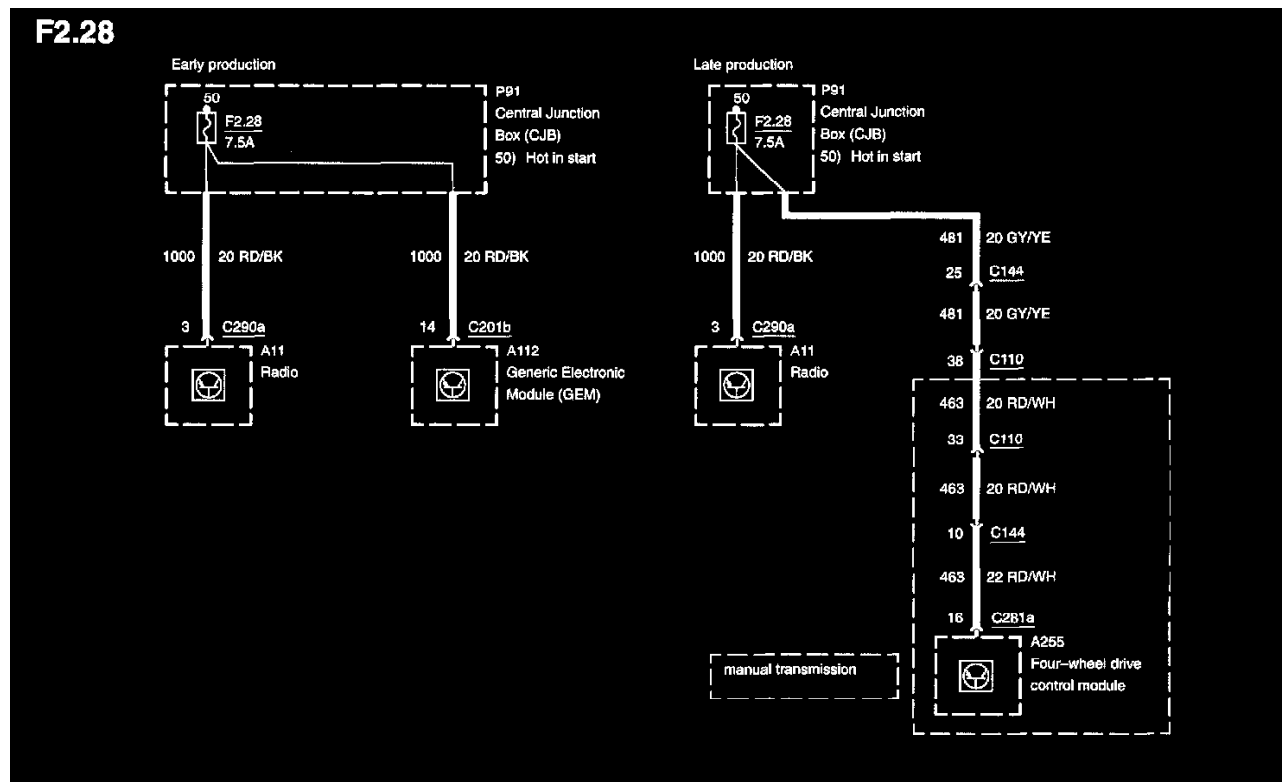


Diagram 700-03-00-28

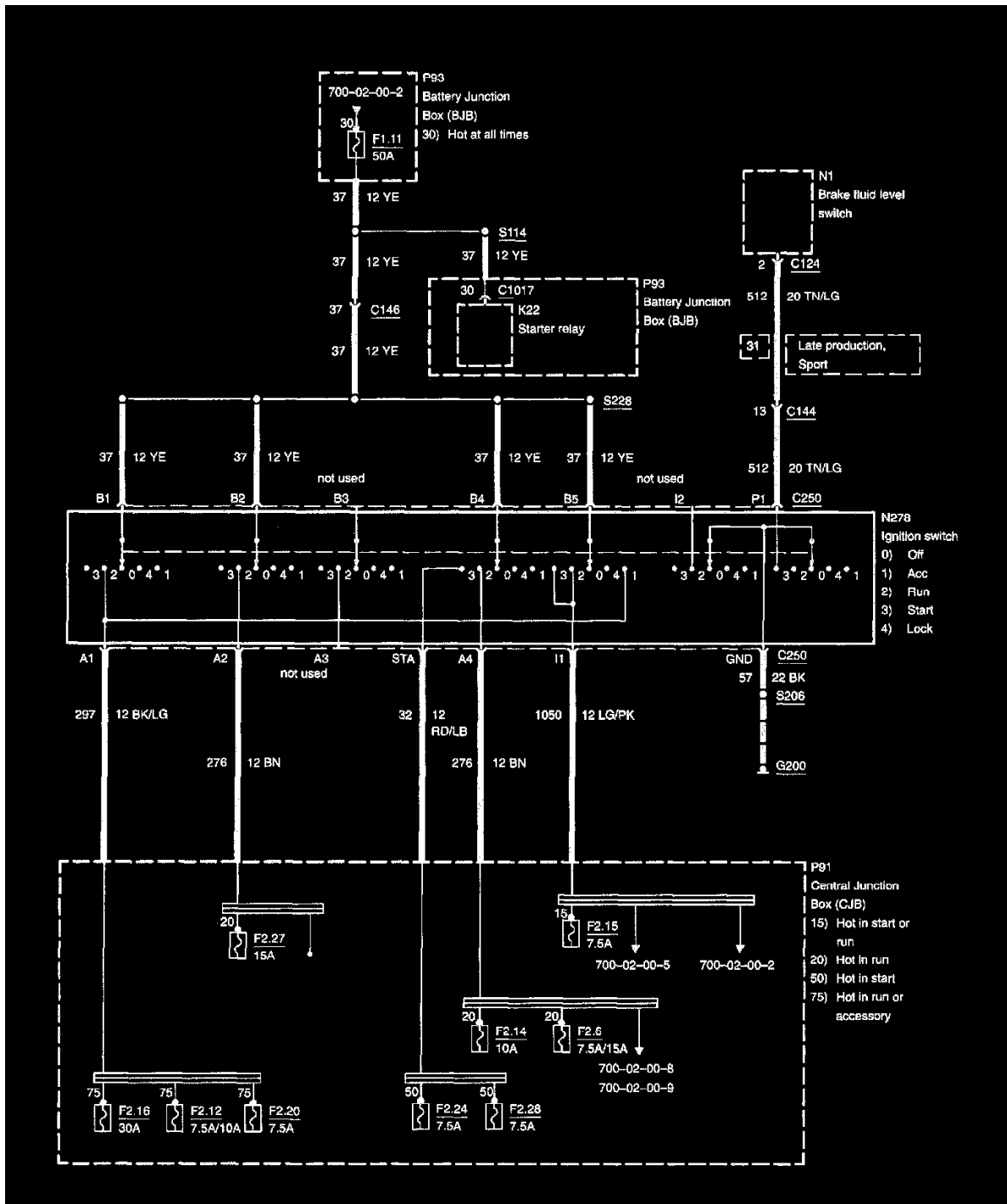


Diagram 700-02-00-7

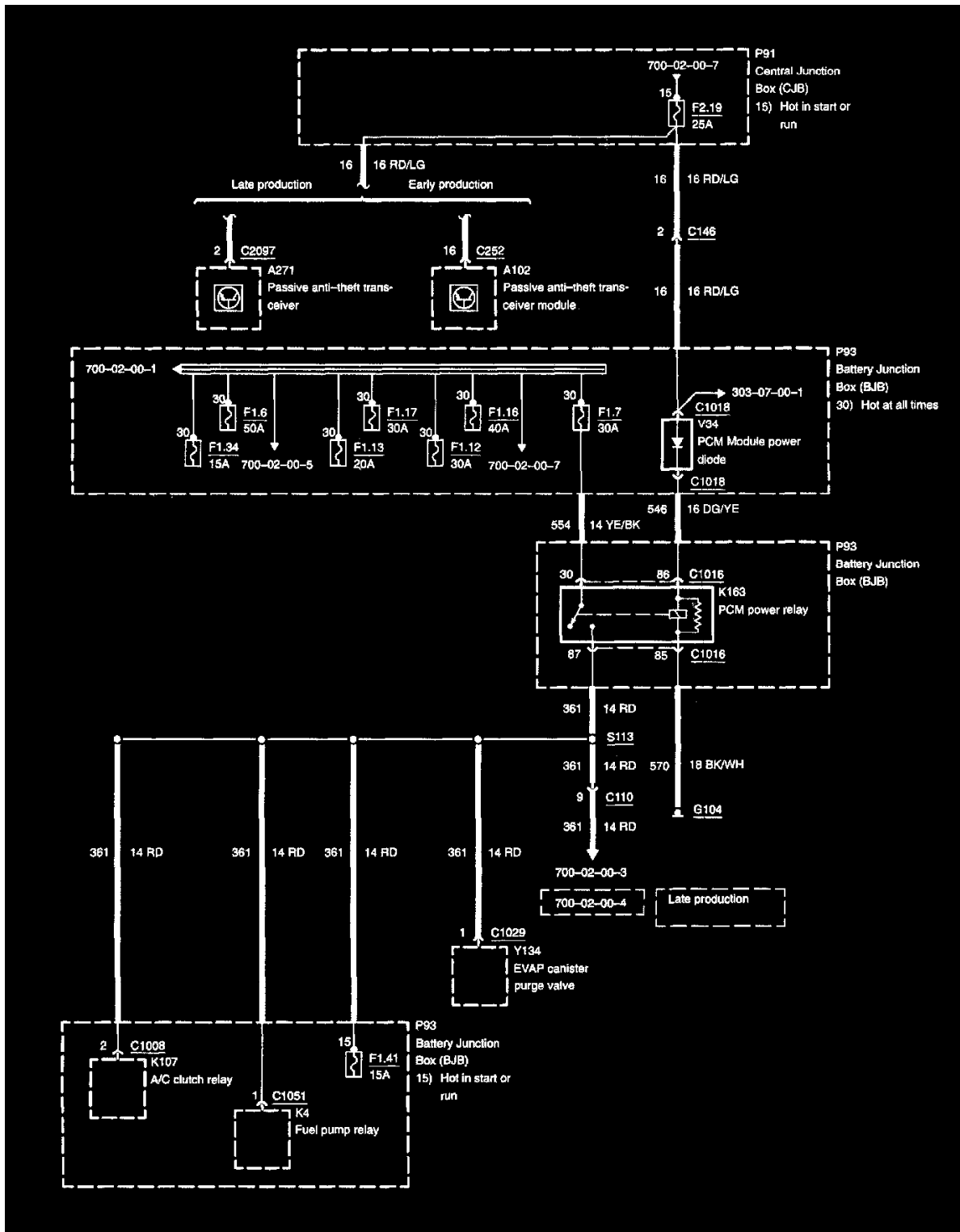


Diagram 700-02-00-2

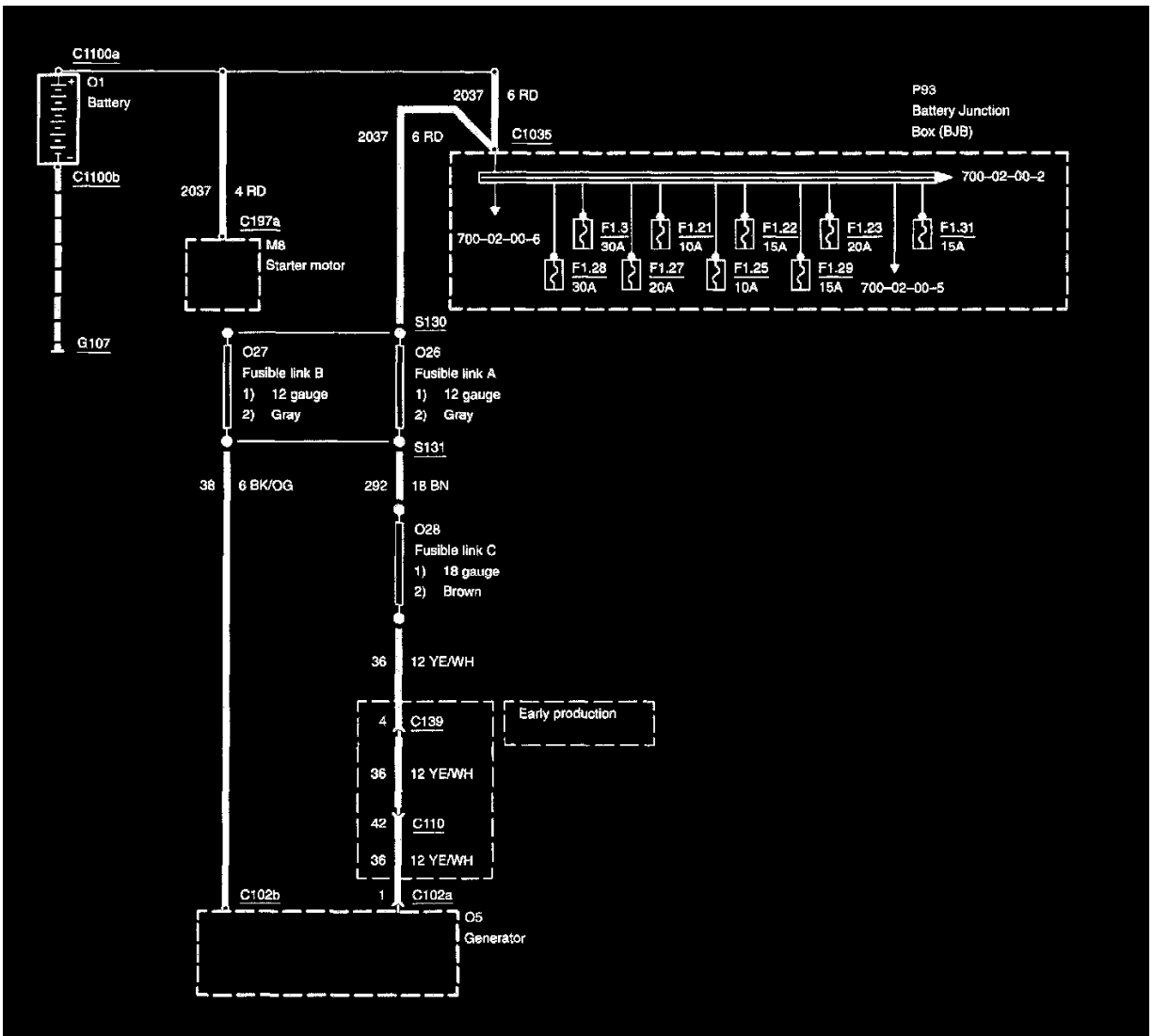


Diagram 700-02-00-1

F2.30

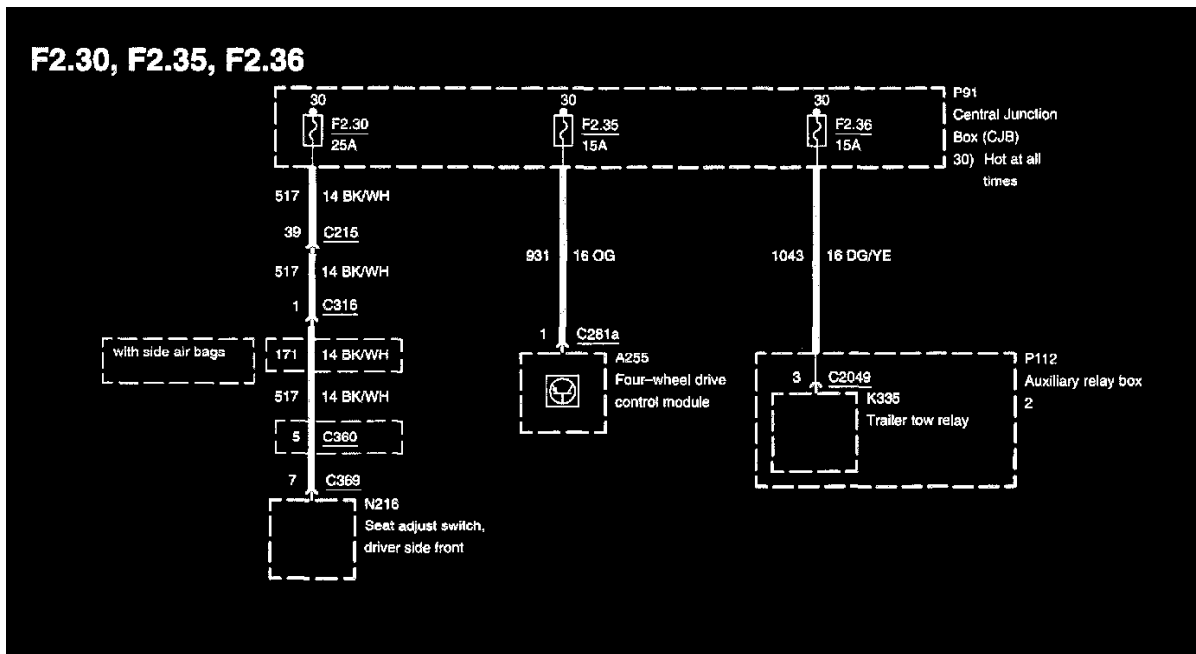


Diagram 700-03-00-29

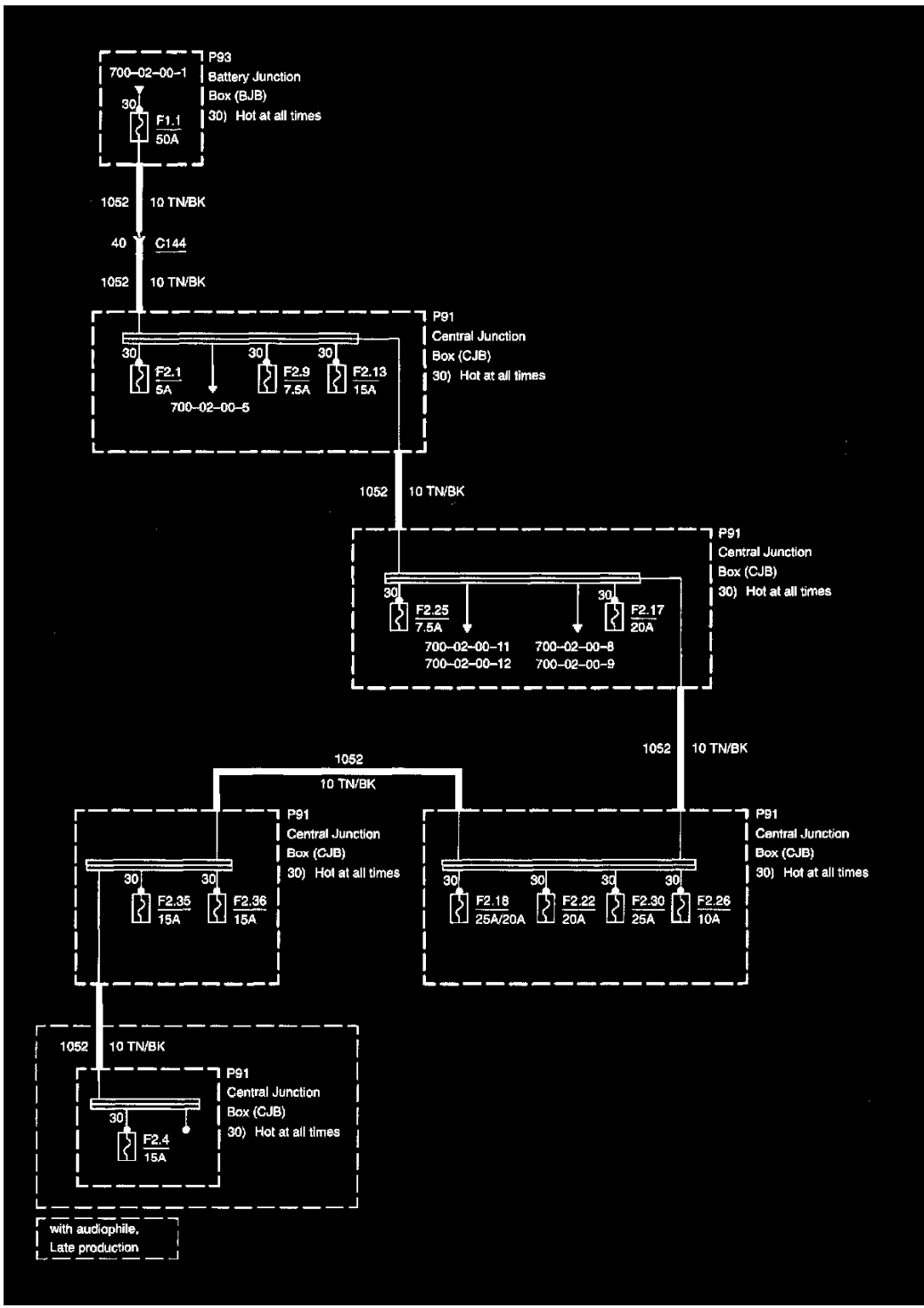


Diagram 700-02-00-6

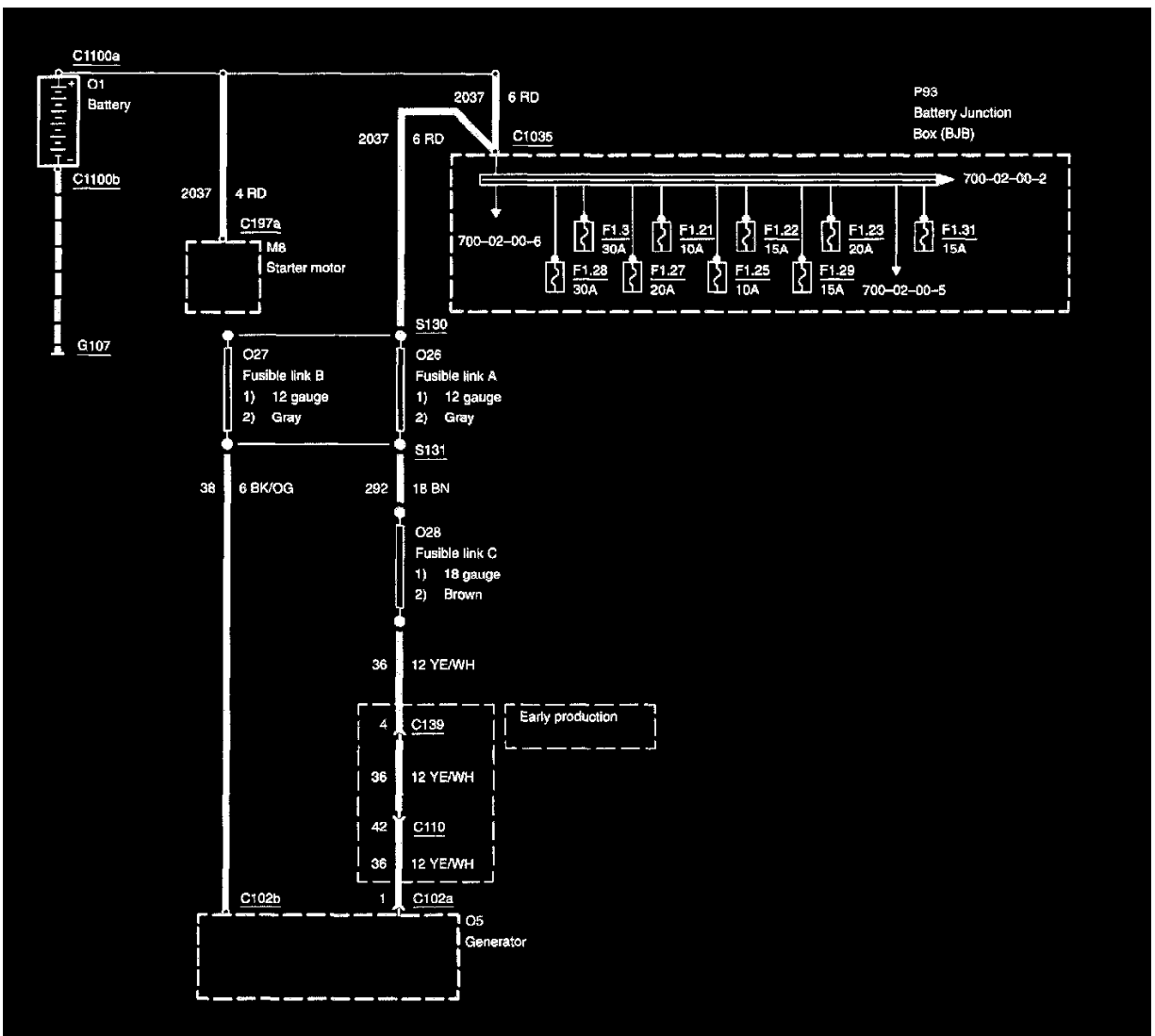


Diagram 700-02-00-1

F2.31

F2.6, F2.31

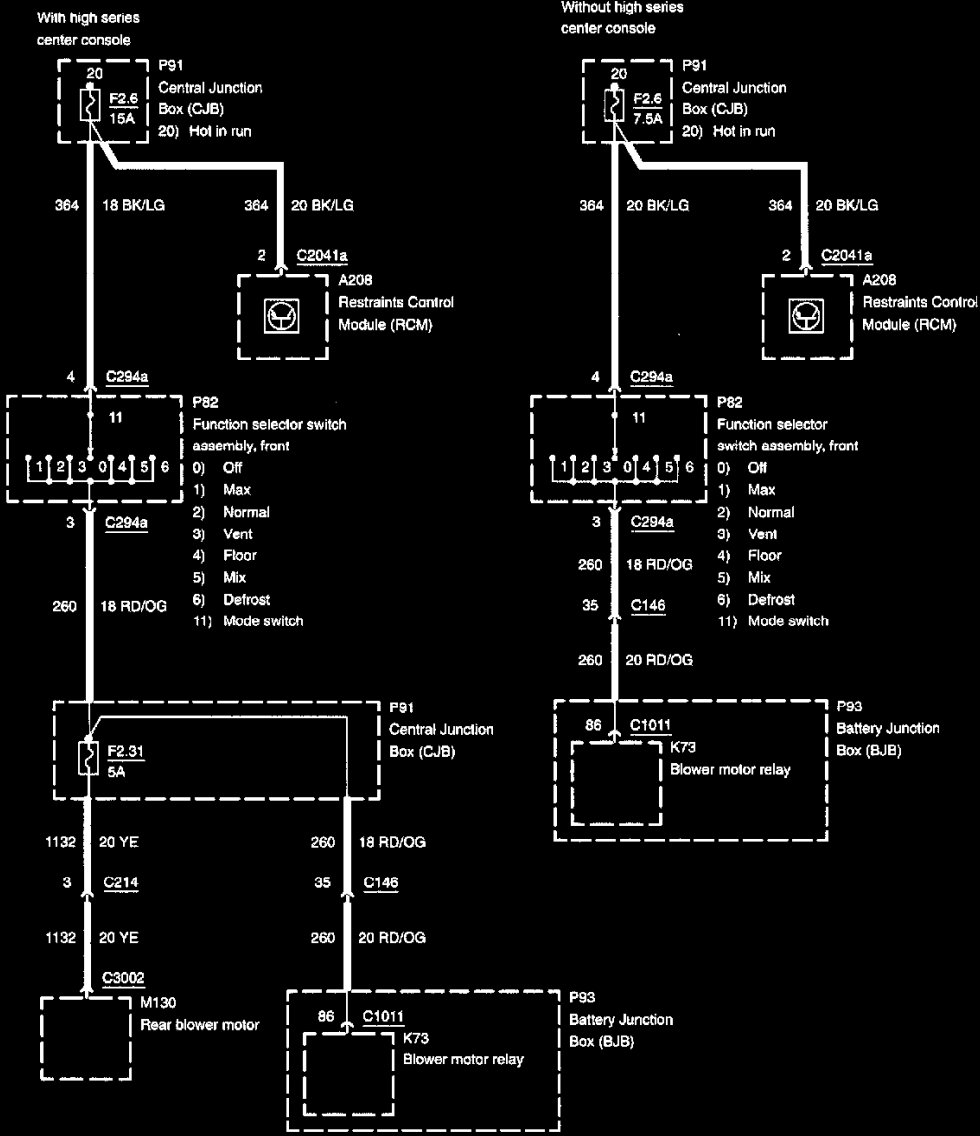


Diagram 700-03-00-12

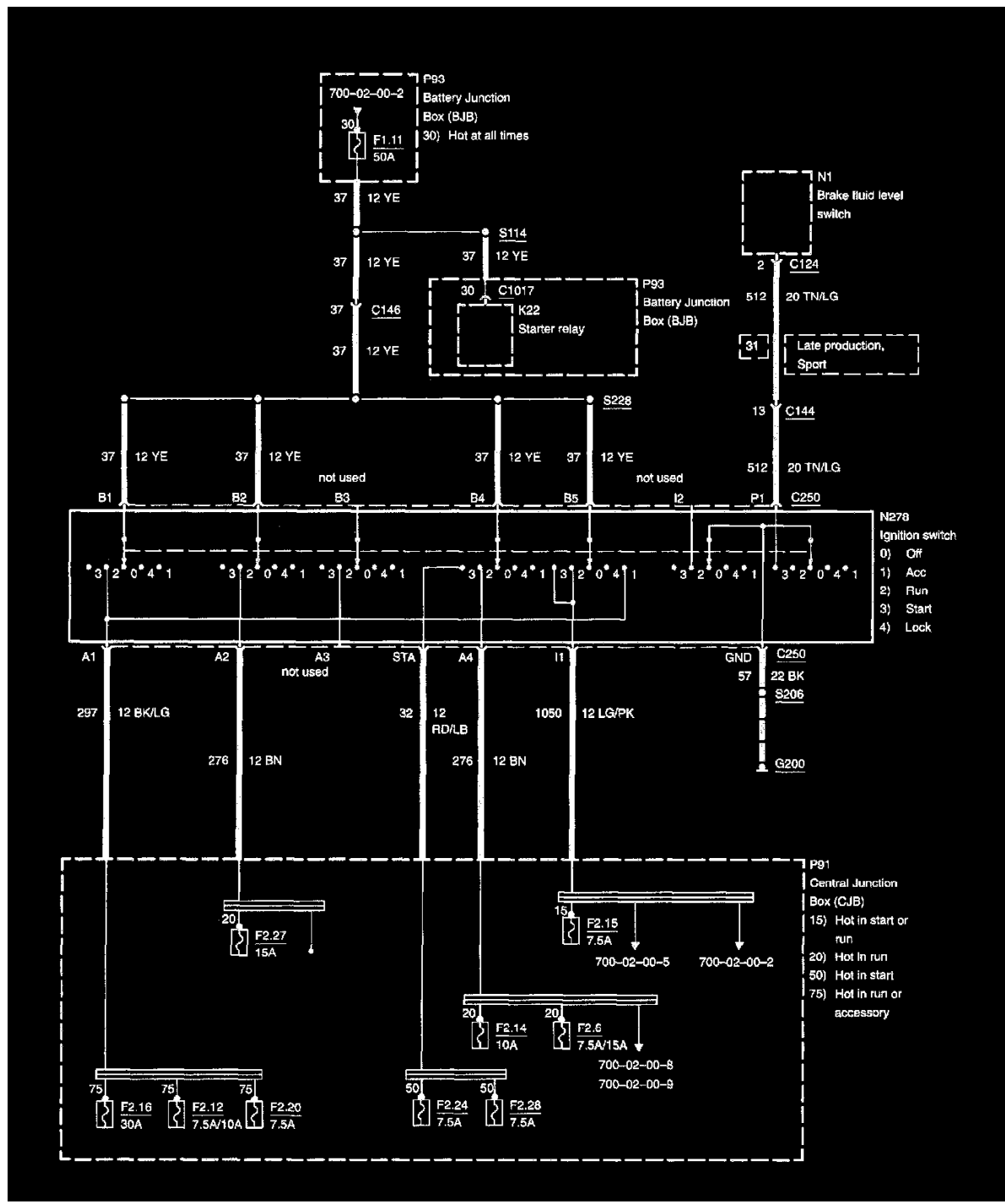


Diagram 700-02-00-7

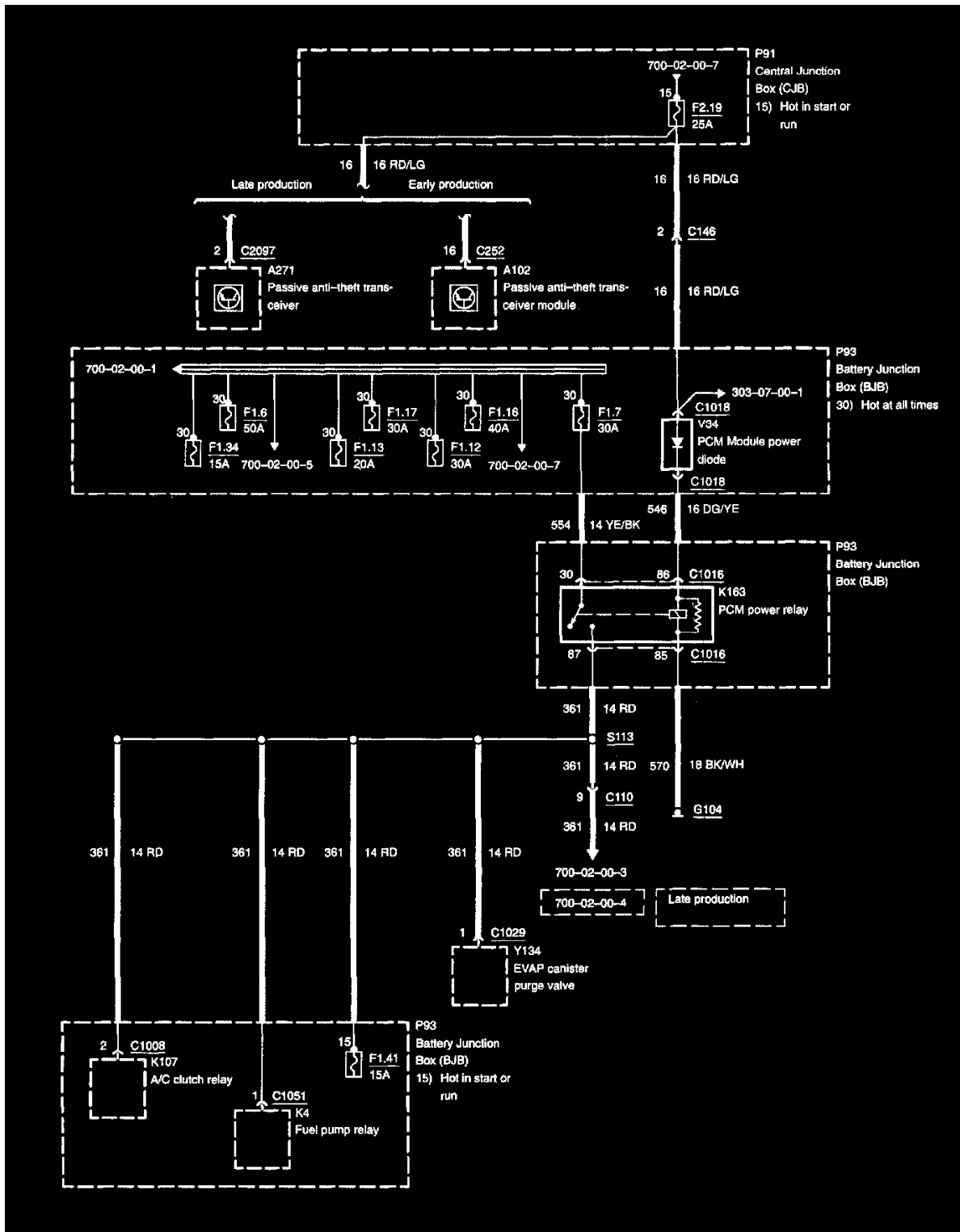


Diagram 700-02-00-2

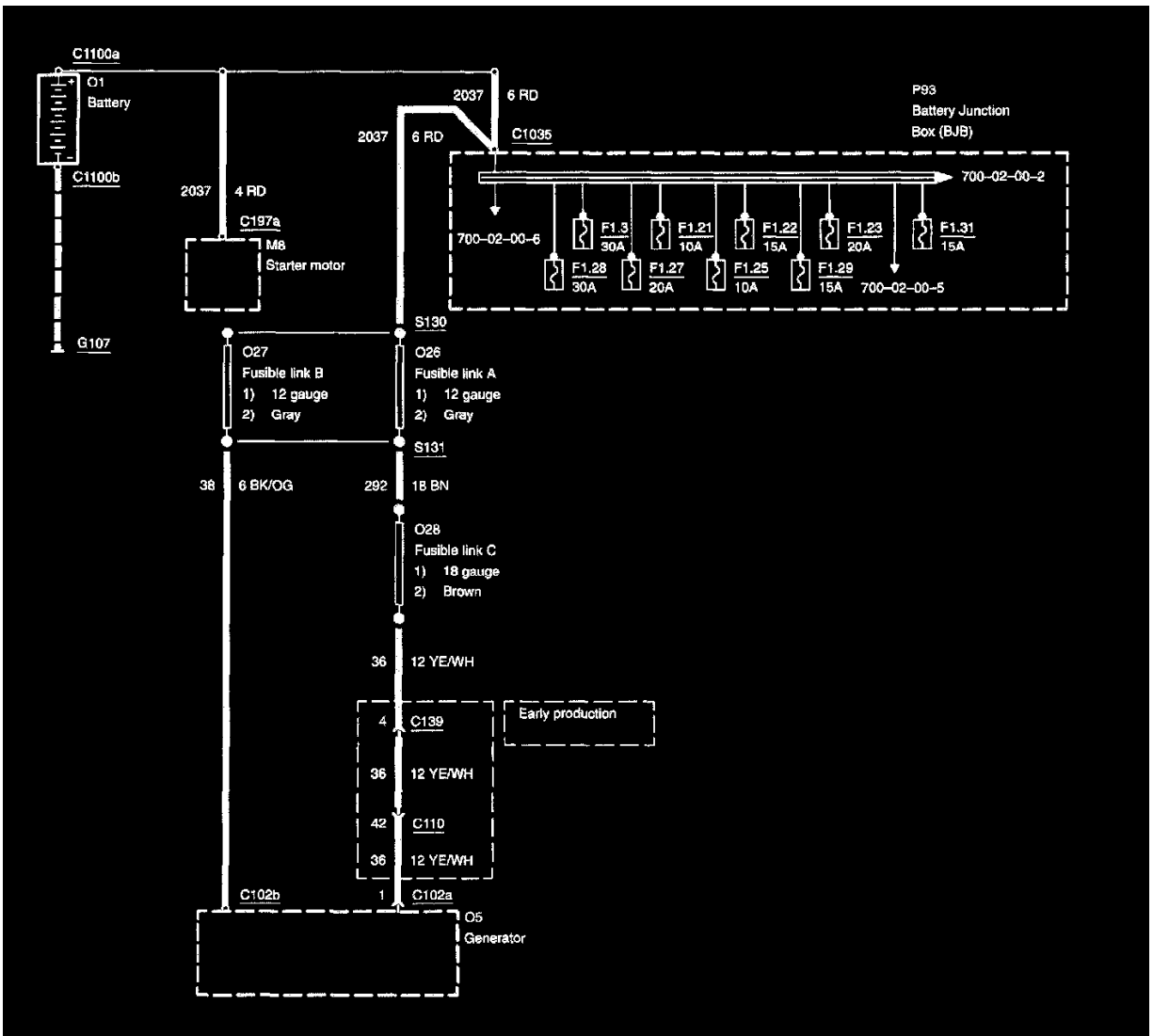


Diagram 700-02-00-1

F2.35

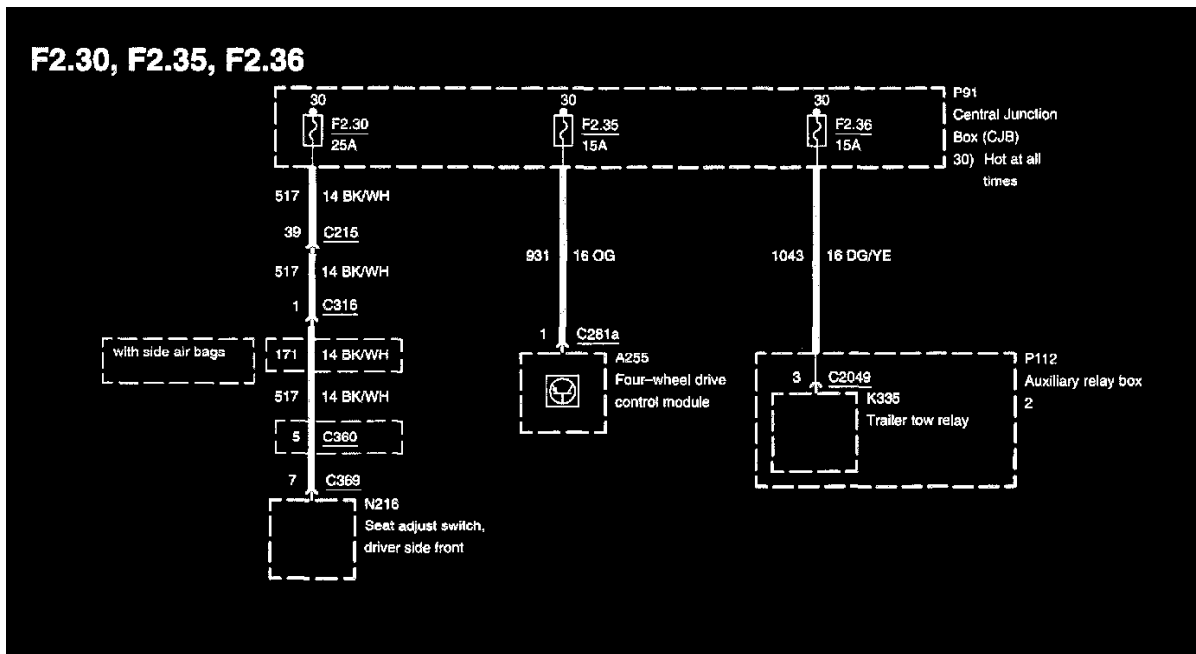


Diagram 700-03-00-29

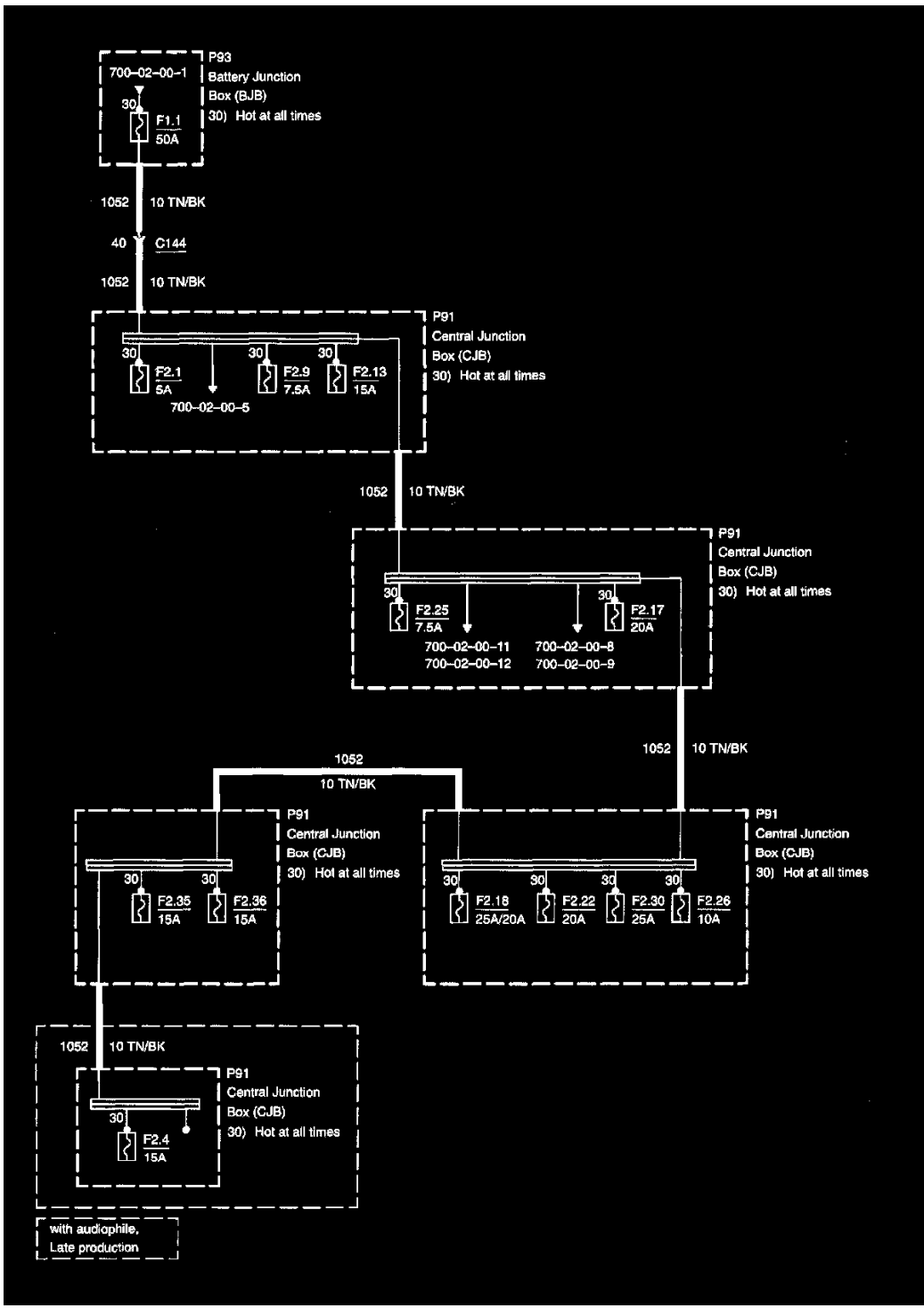


Diagram 700-02-00-6

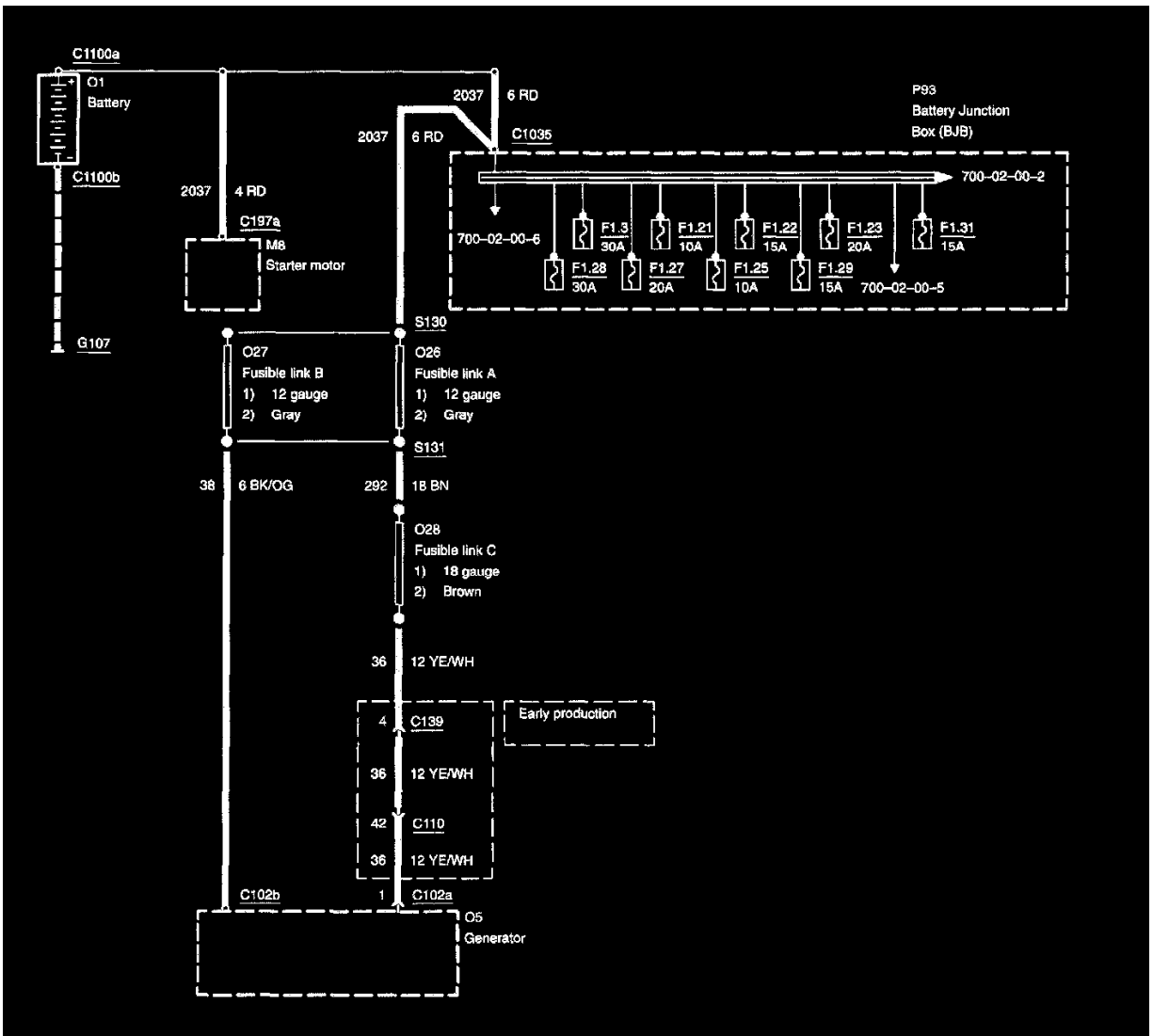


Diagram 700-02-00-1

F2.36

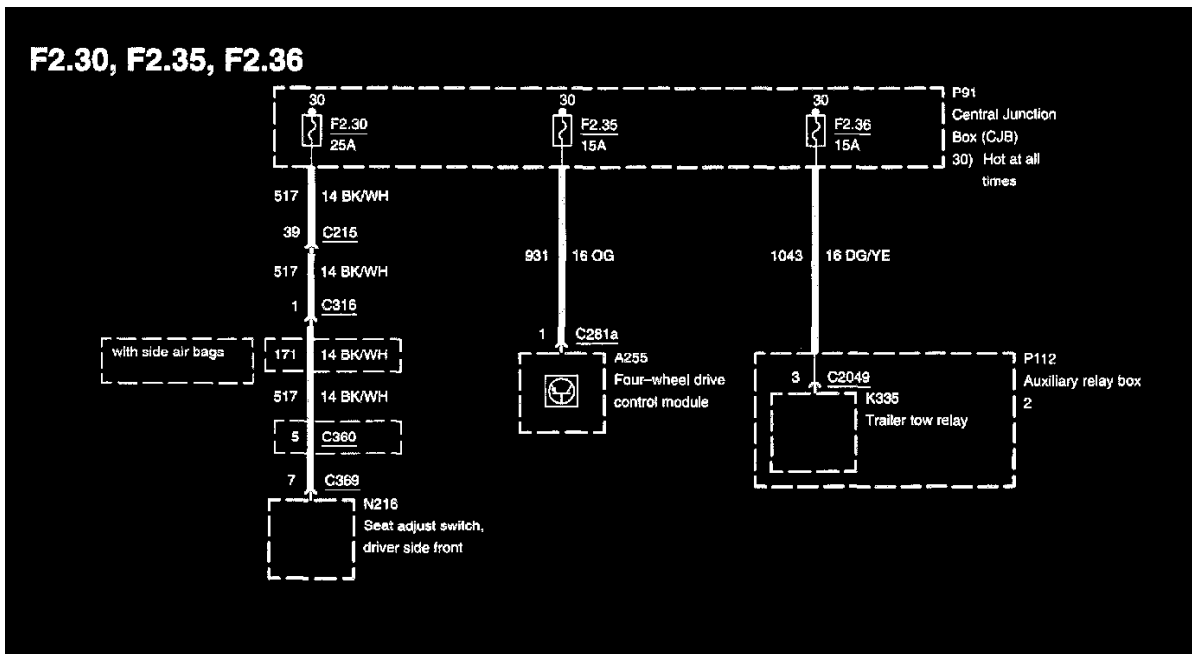


Diagram 700-03-00-29

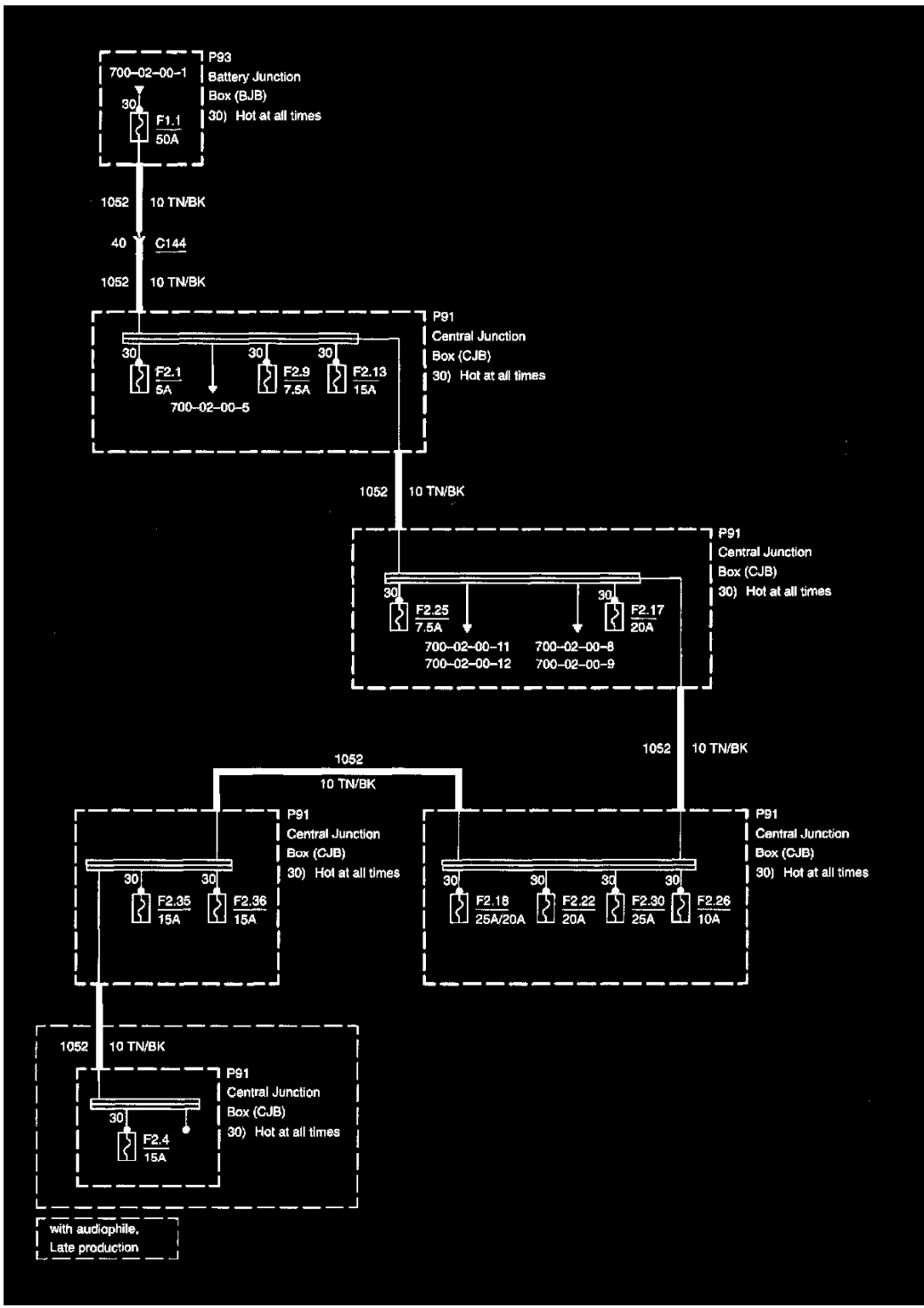


Diagram 700-02-00-6

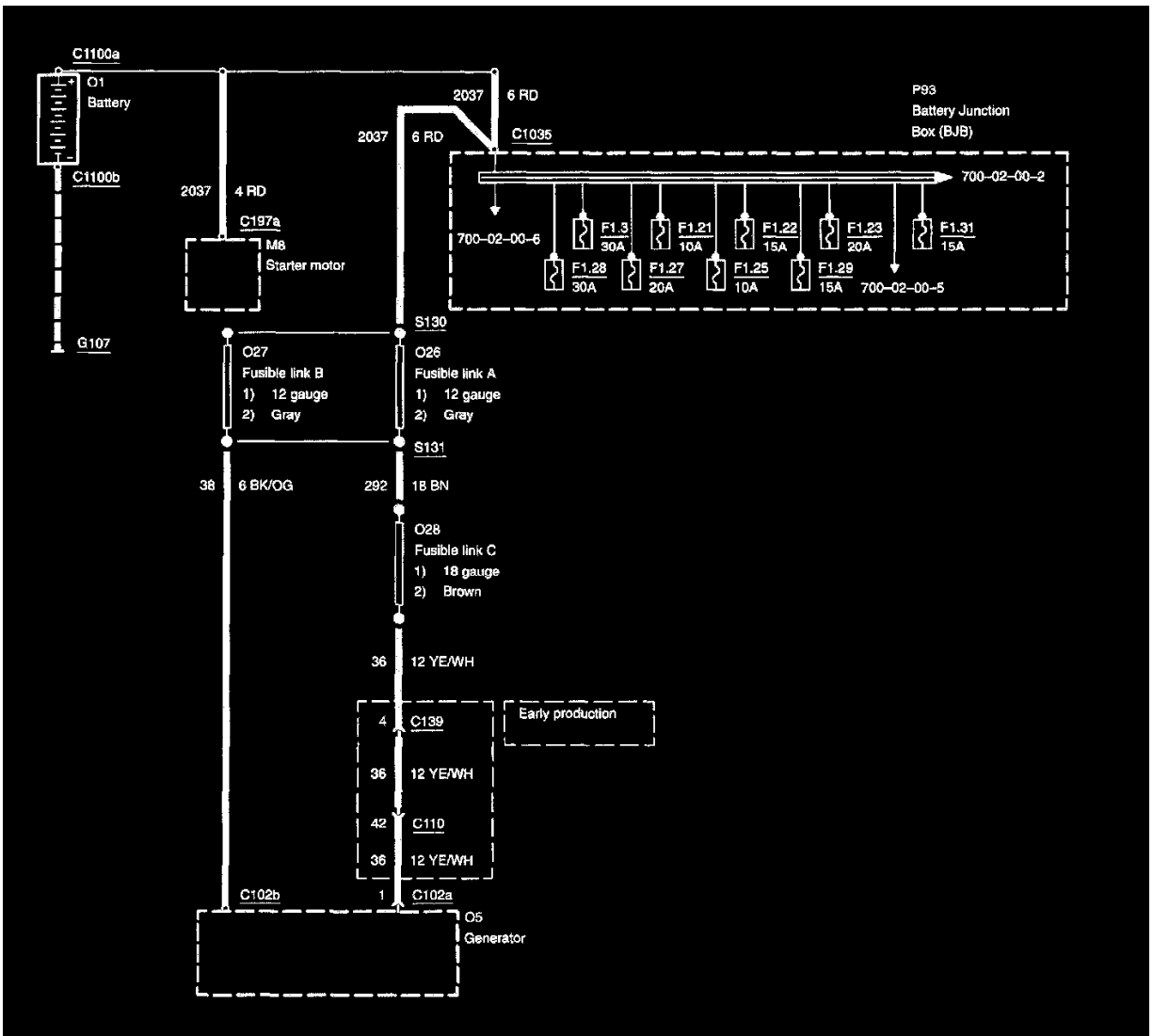


Diagram 700-02-00-1