

Power and Ground Distribution: Electrical Diagrams

Junction Box Circuits

DETAILED DIAGRAMS

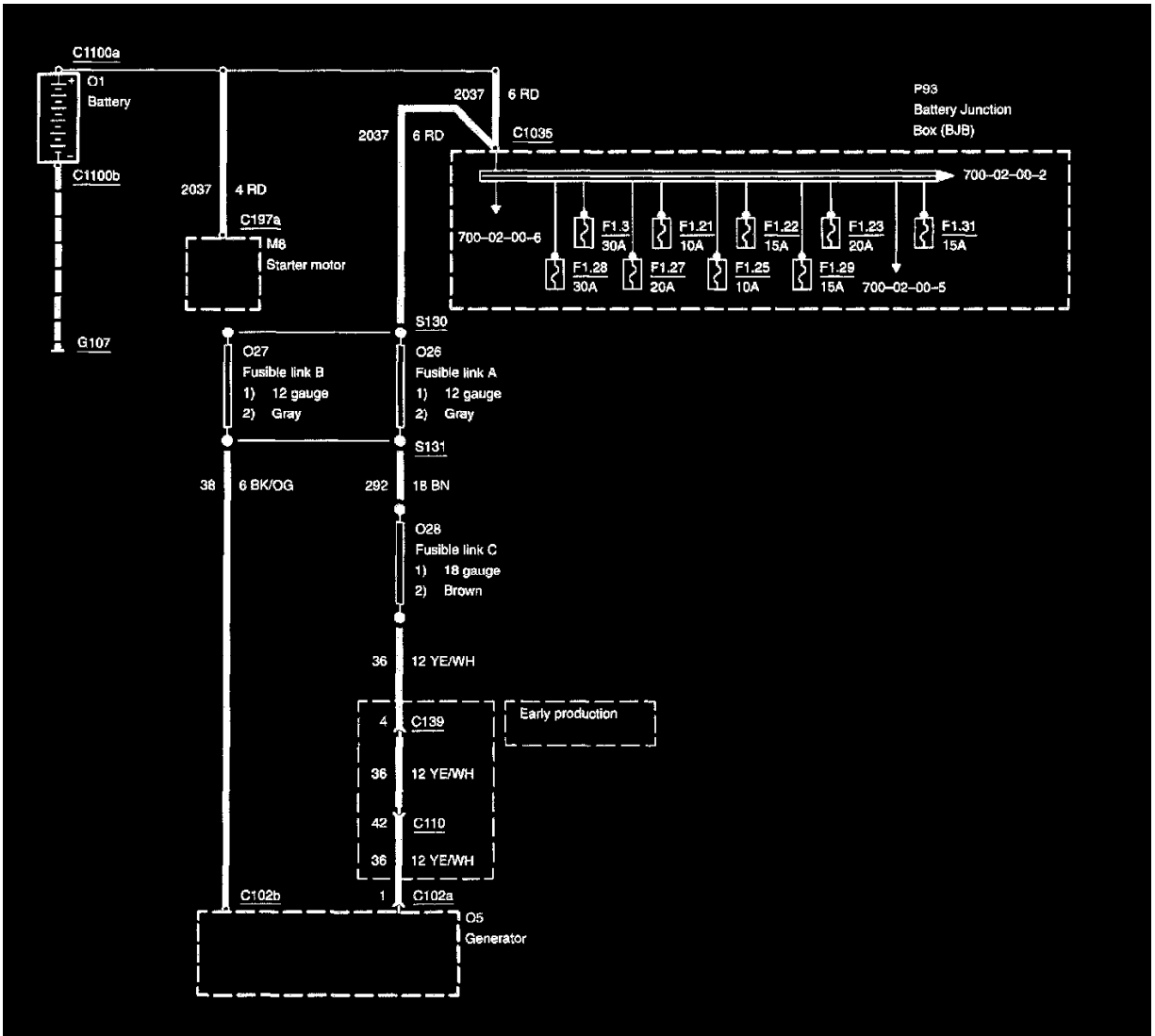


Diagram 700-02-00-1

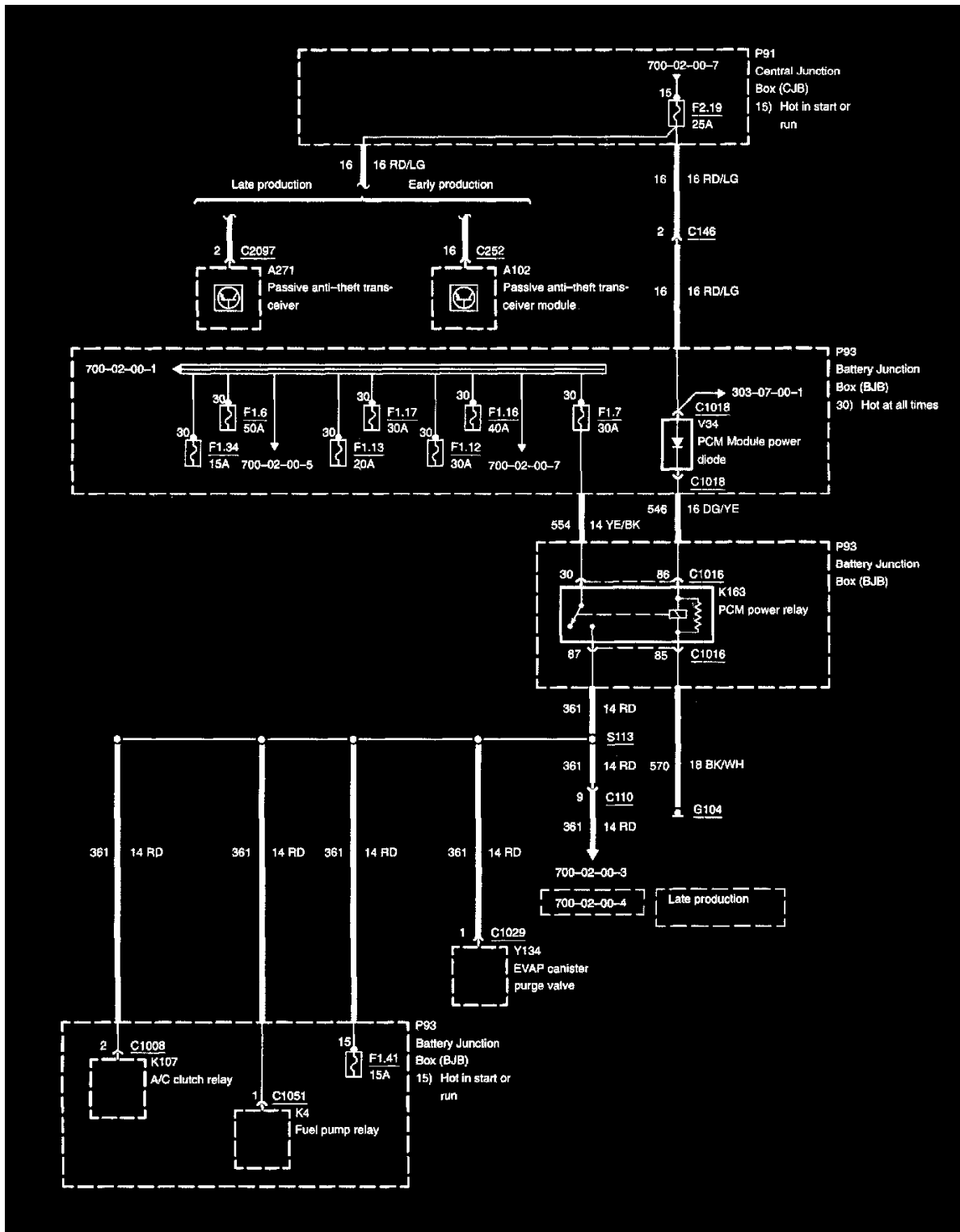


Diagram 700-02-00-2

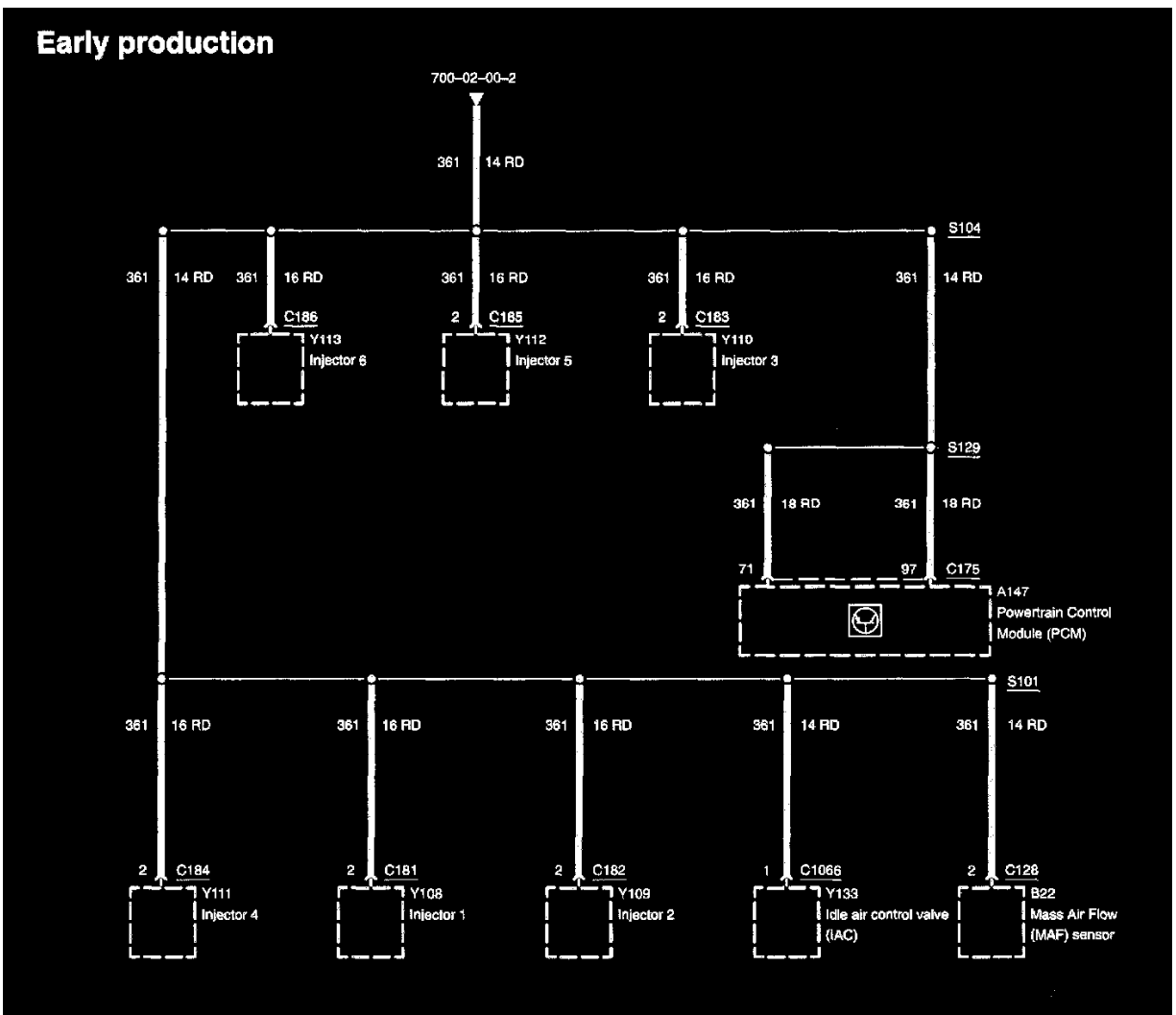


Diagram 700-02-00-3

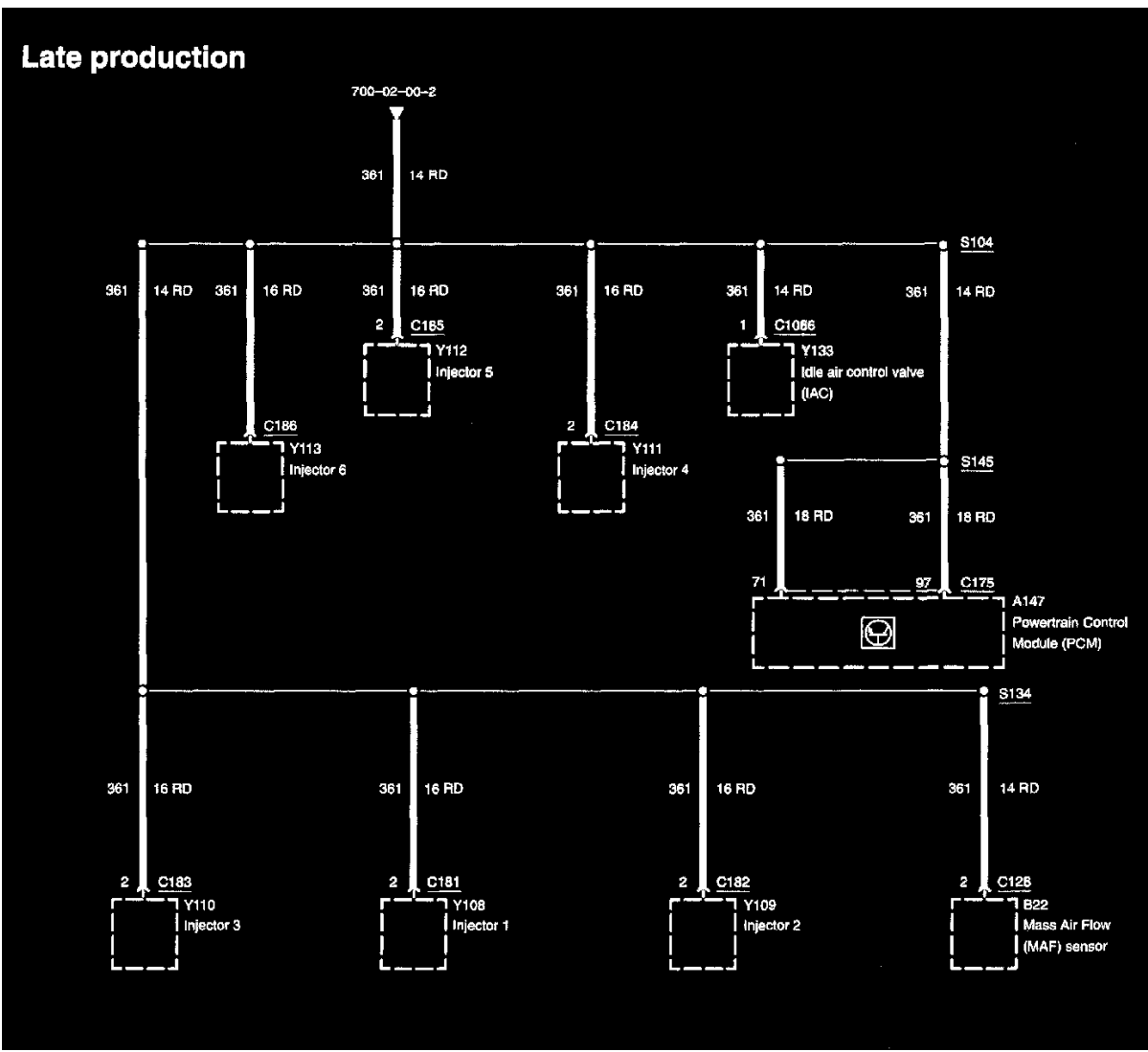


Diagram 700-02-00-4

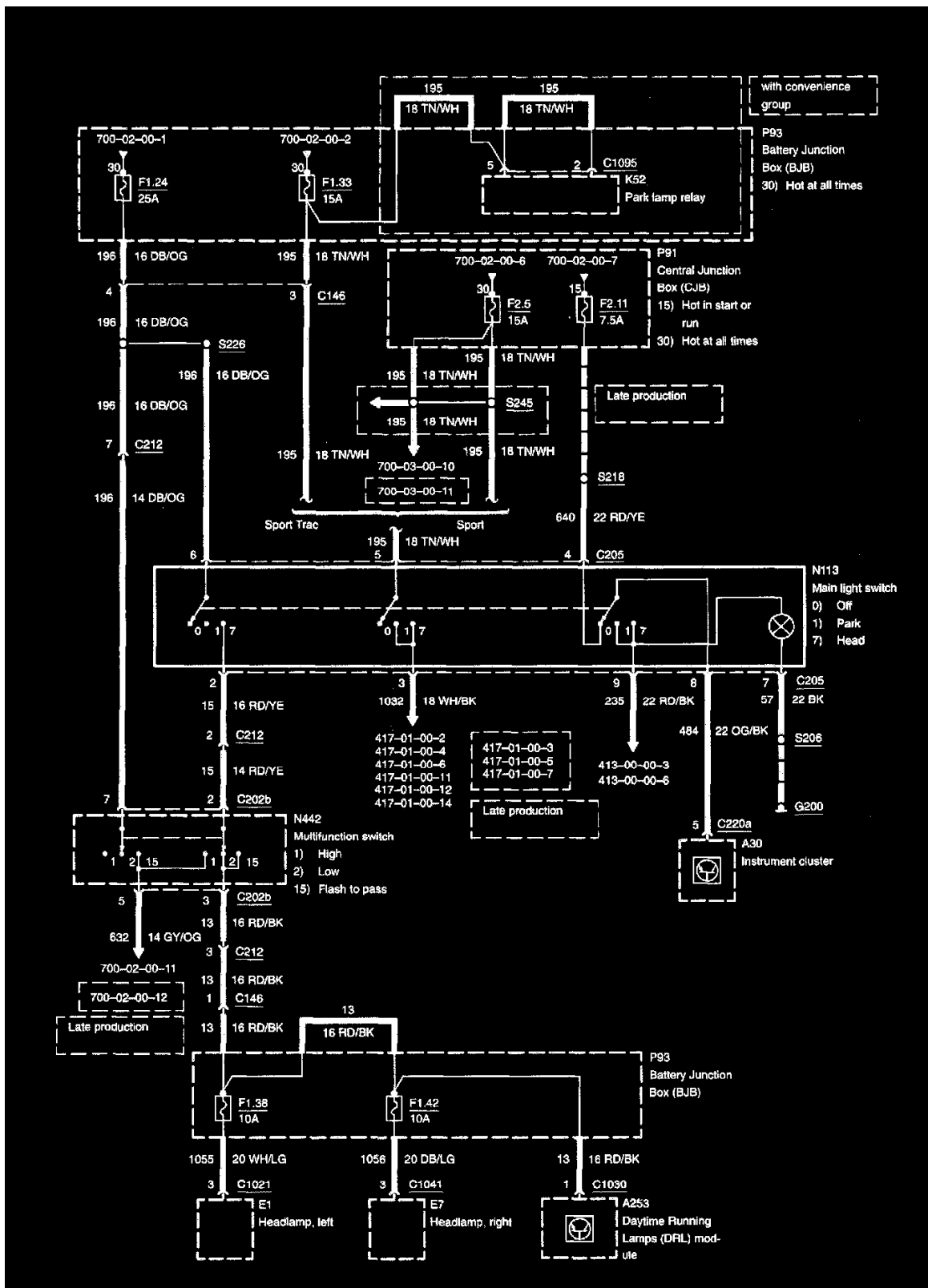


Diagram 700-02-00-5

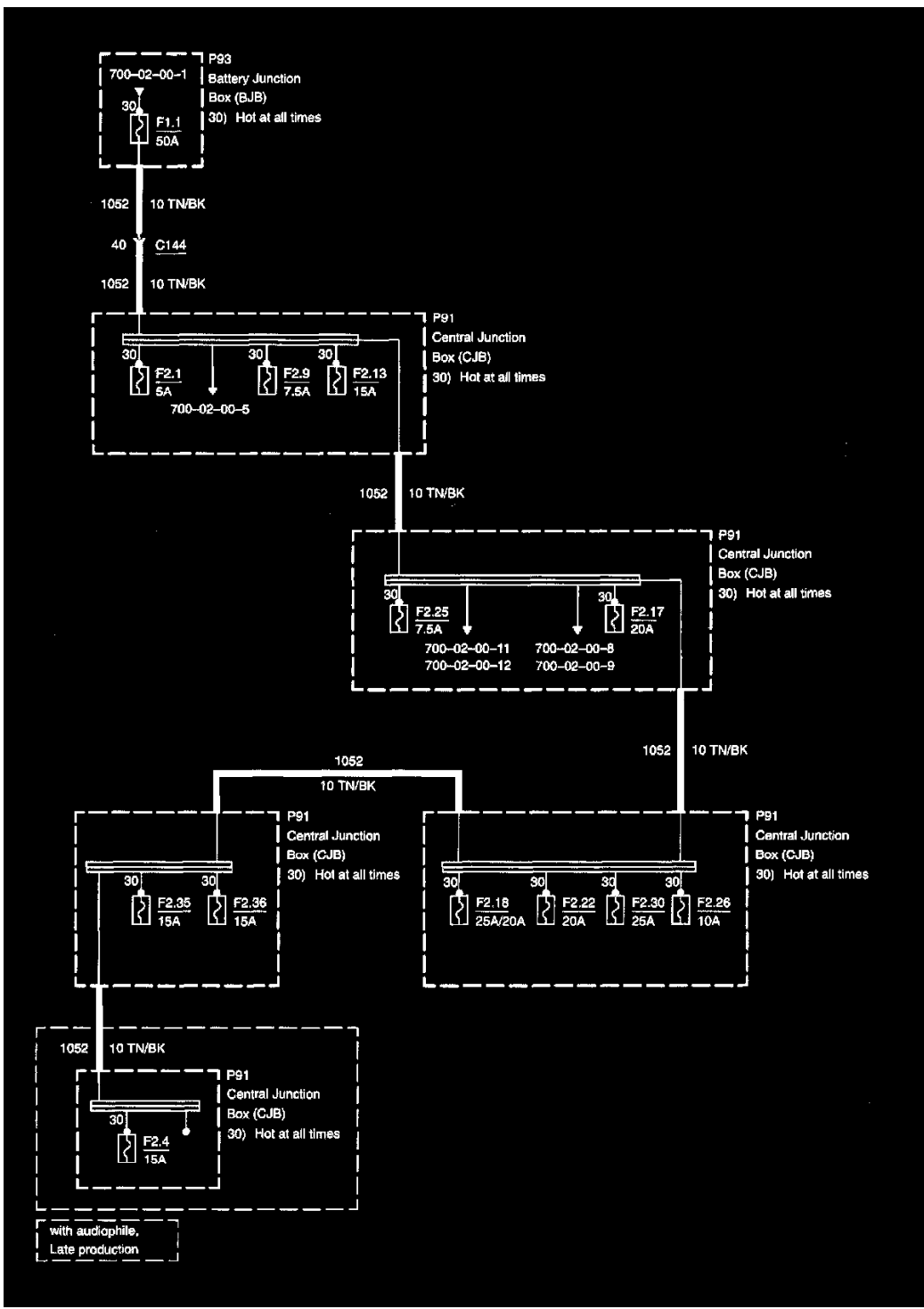


Diagram 700-02-00-6

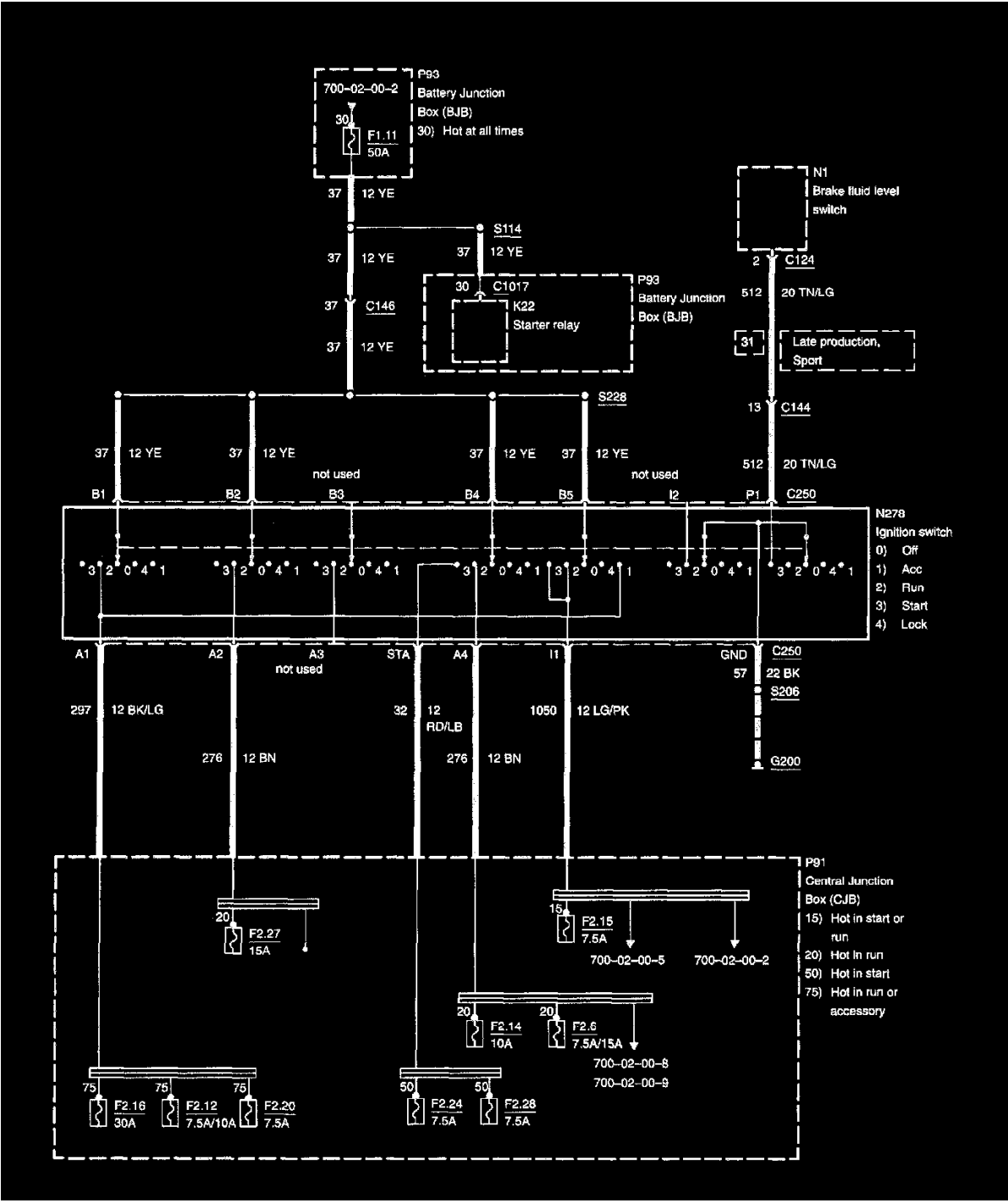


Diagram 700-02-00-7

Sport Trac

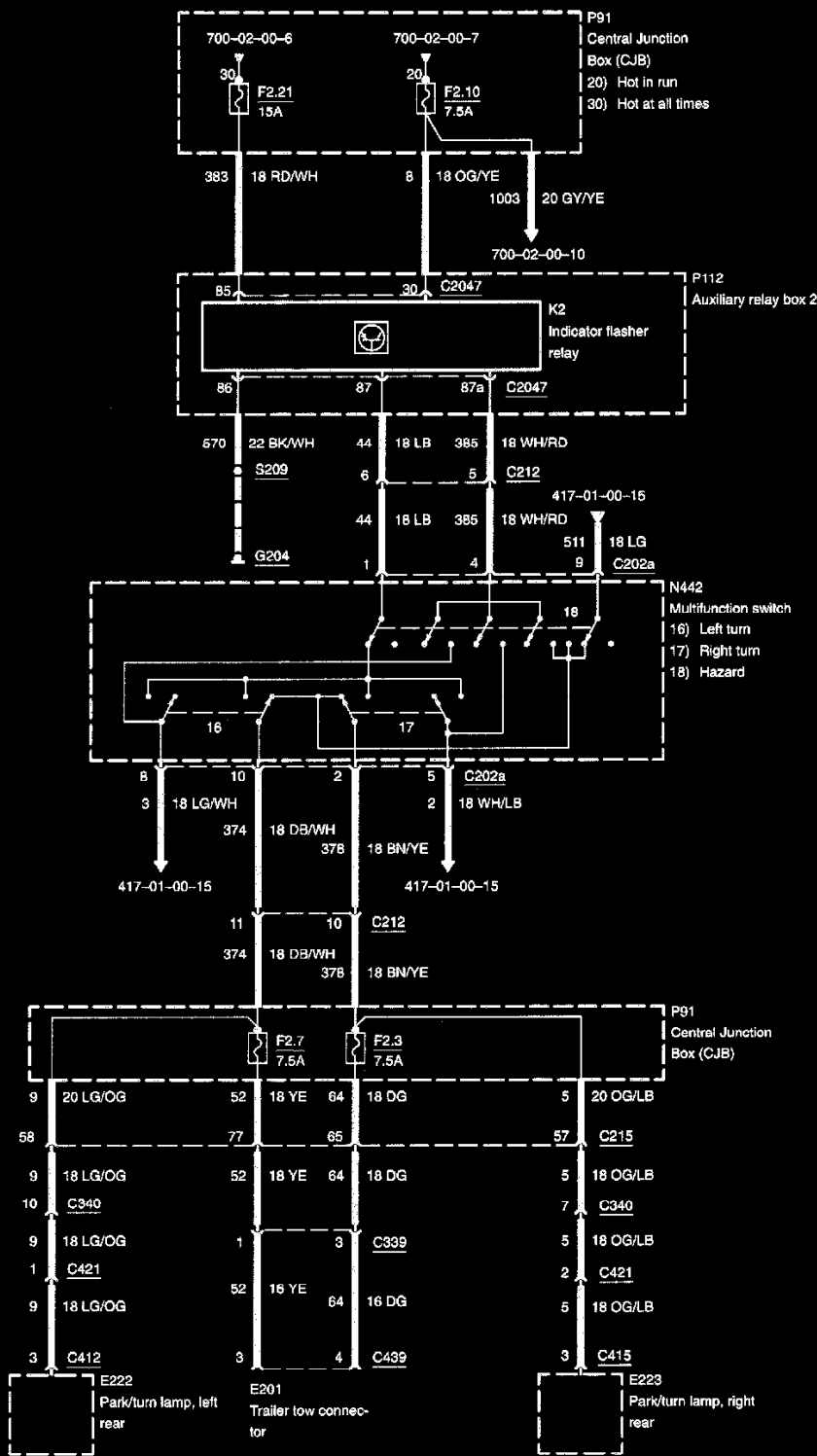


Diagram 700-02-00-9

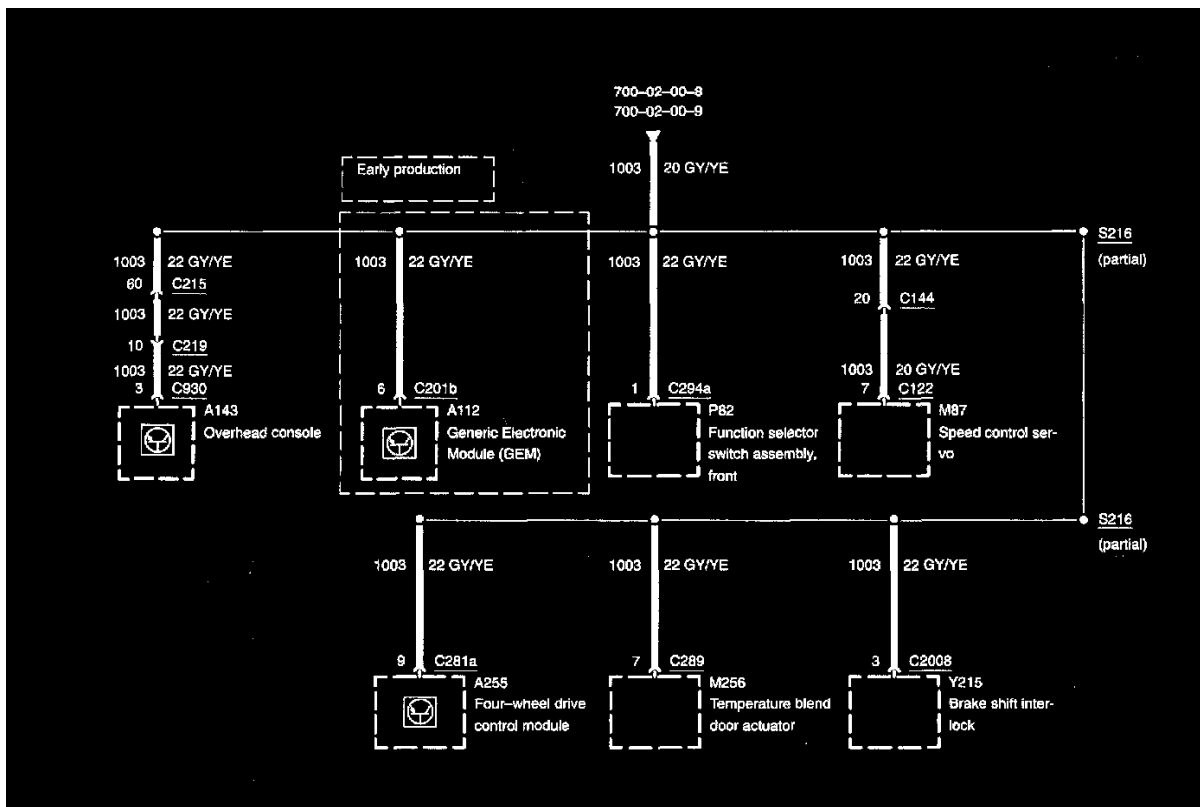


Diagram 700-02-00-10

RELATED DIAGRAMS

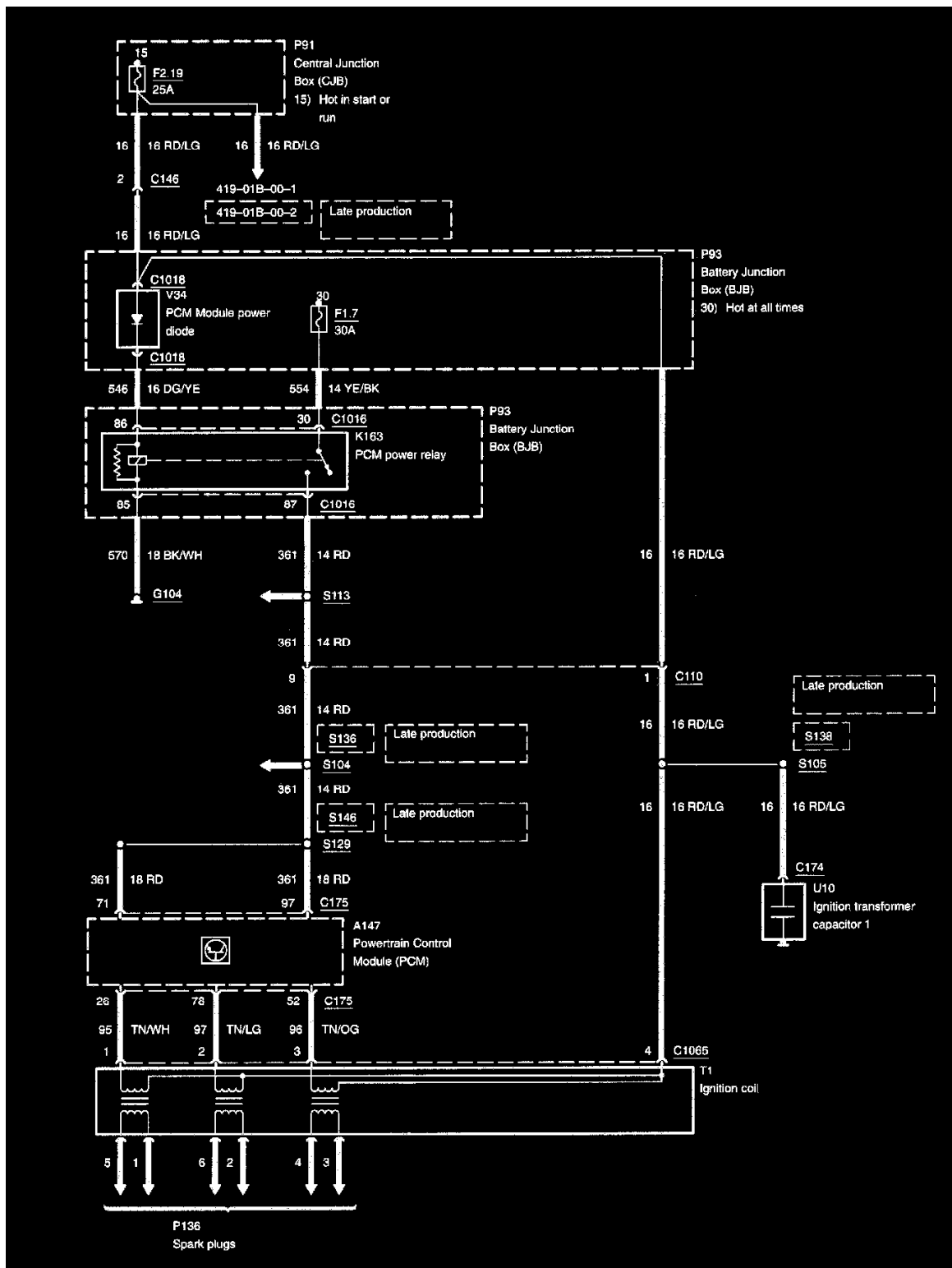


Diagram 303-07-00-1

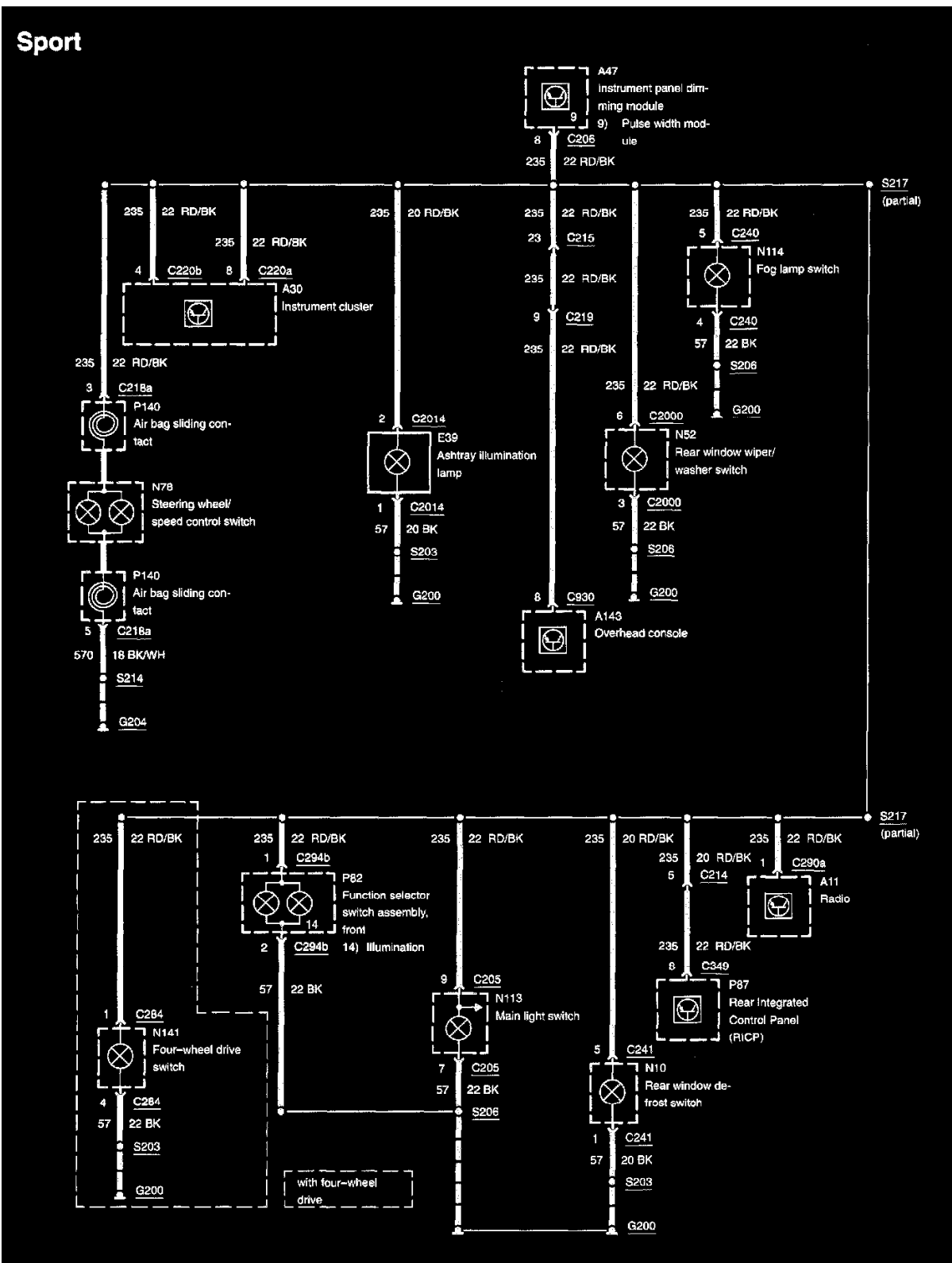


Diagram 413-00-00-3

Sport Trac

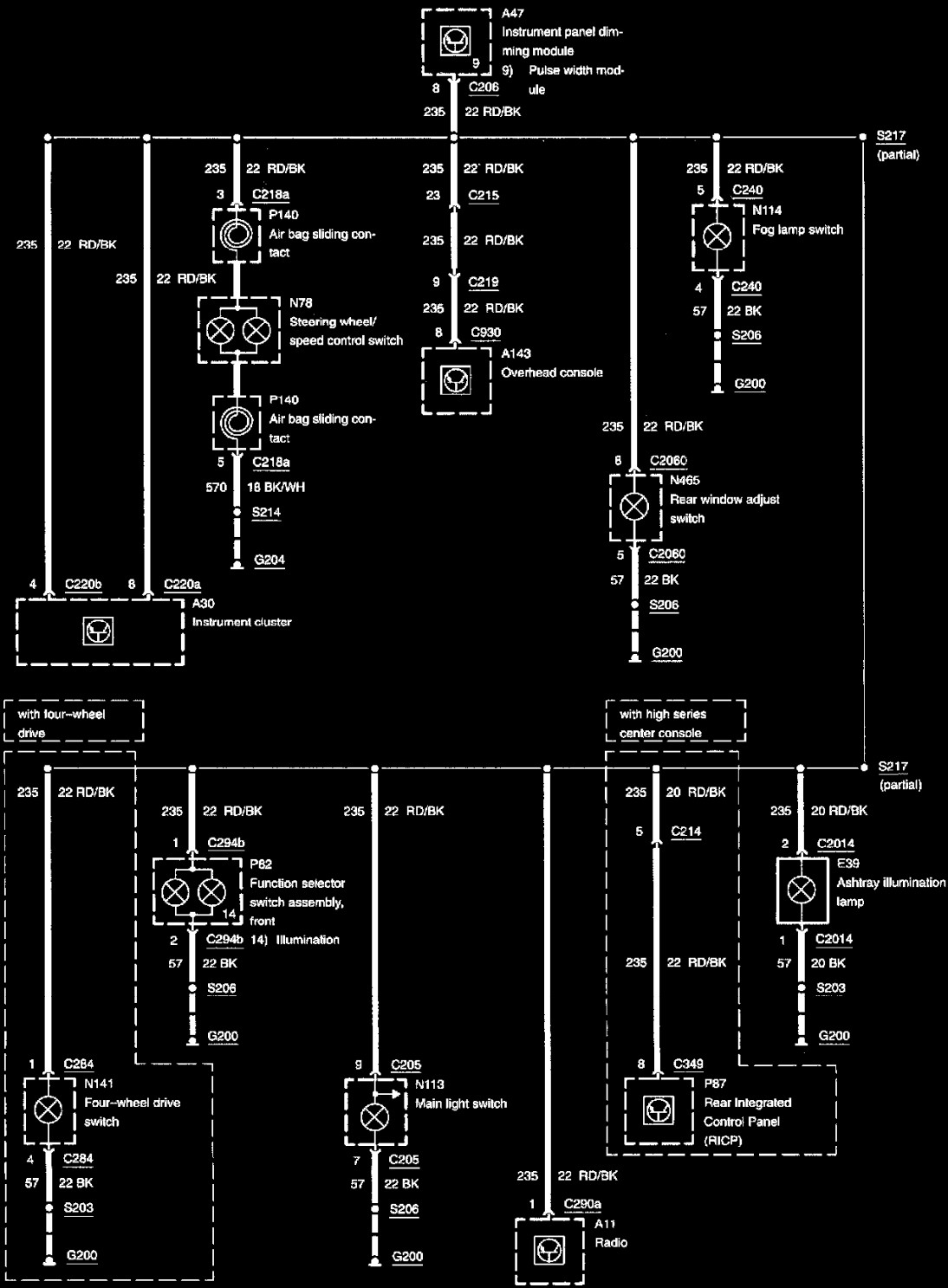


Diagram 413-00-00-6

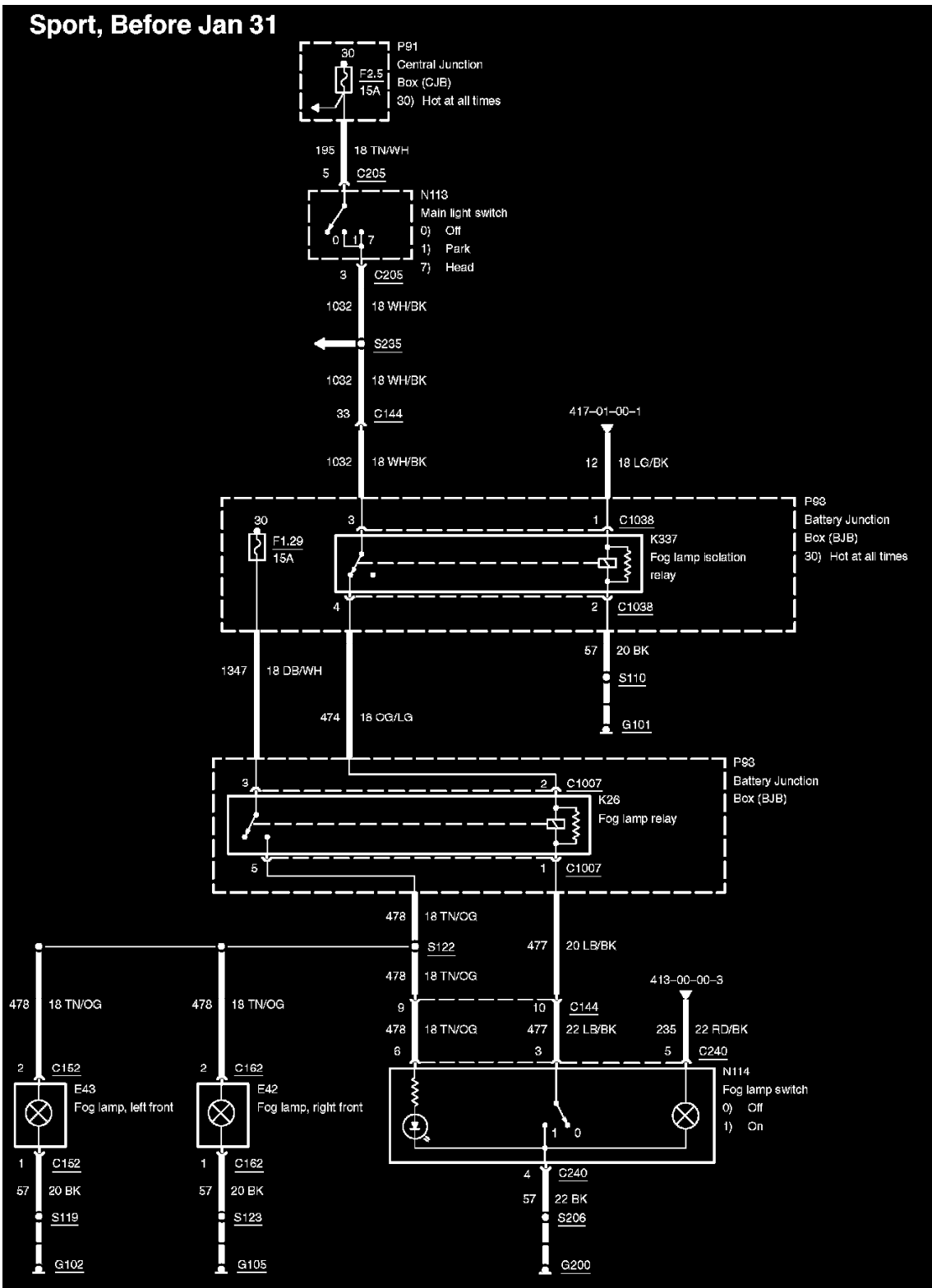


Diagram 417-01-00-2

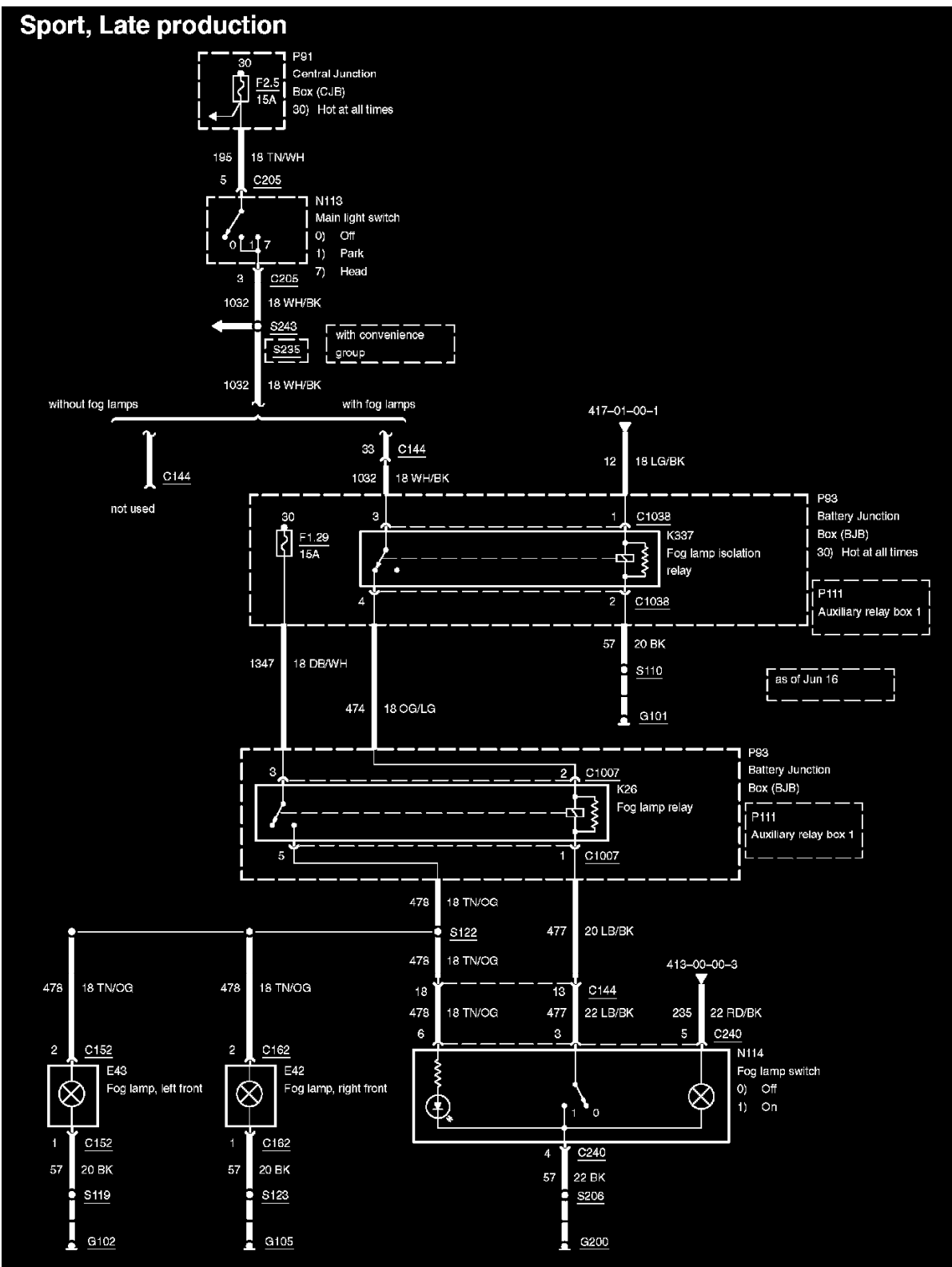


Diagram 417-01-00-3

Sport, With convenience group, Early production

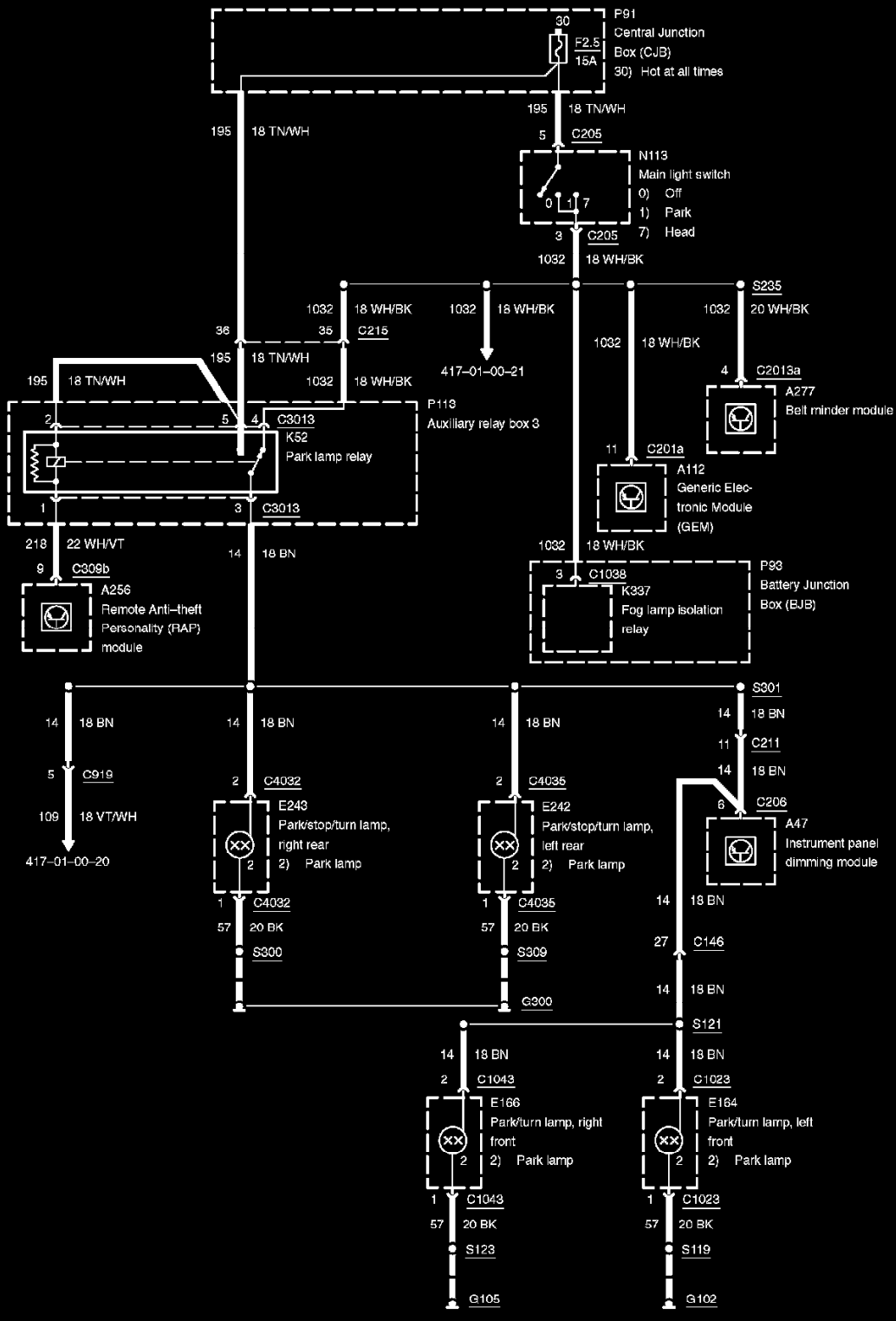


Diagram 417-01-00-4

Sport, With convenience group, Late production

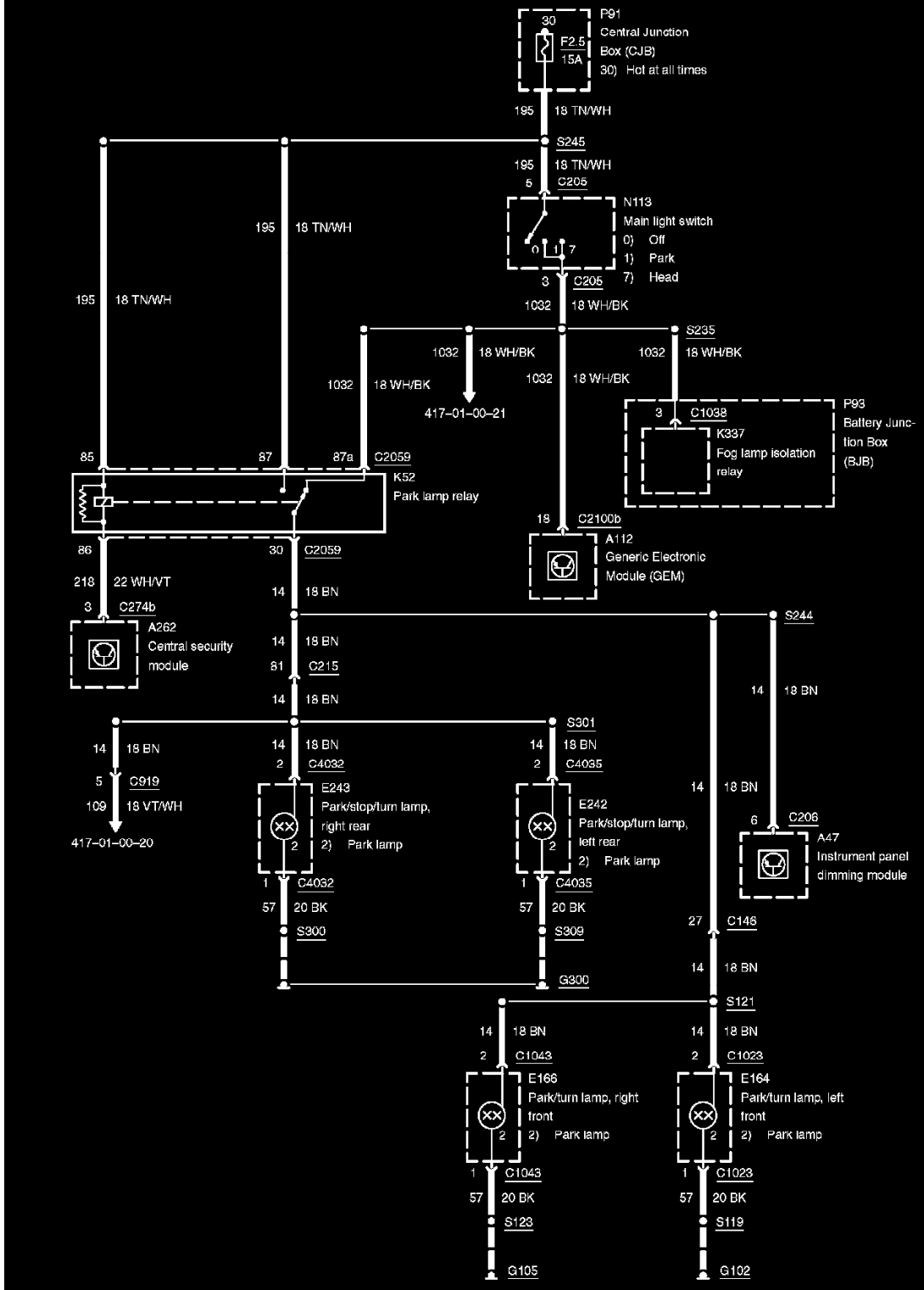


Diagram 417-01-00-5

Sport, Without convenience group, Late production

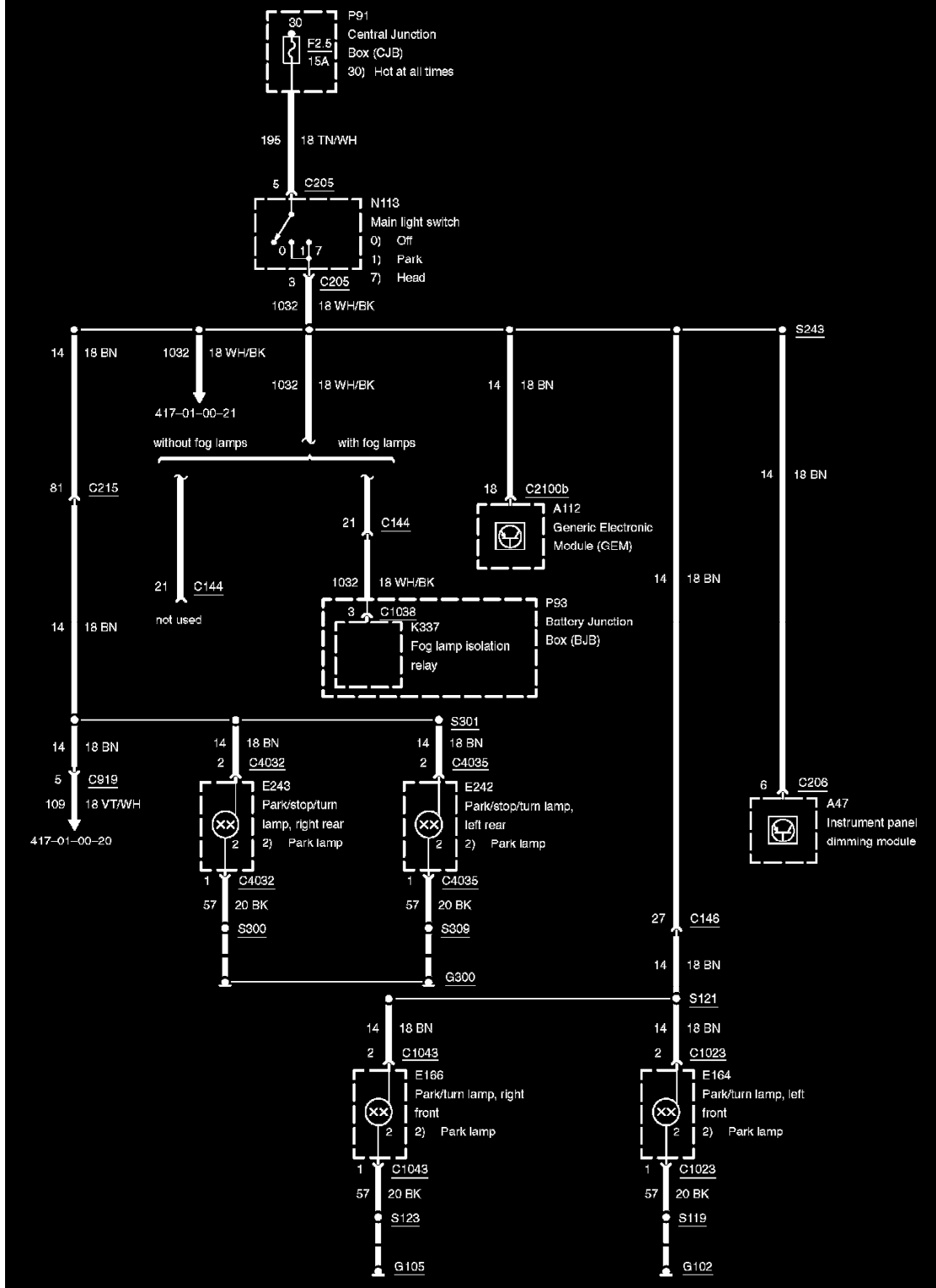


Diagram 417-01-00-7

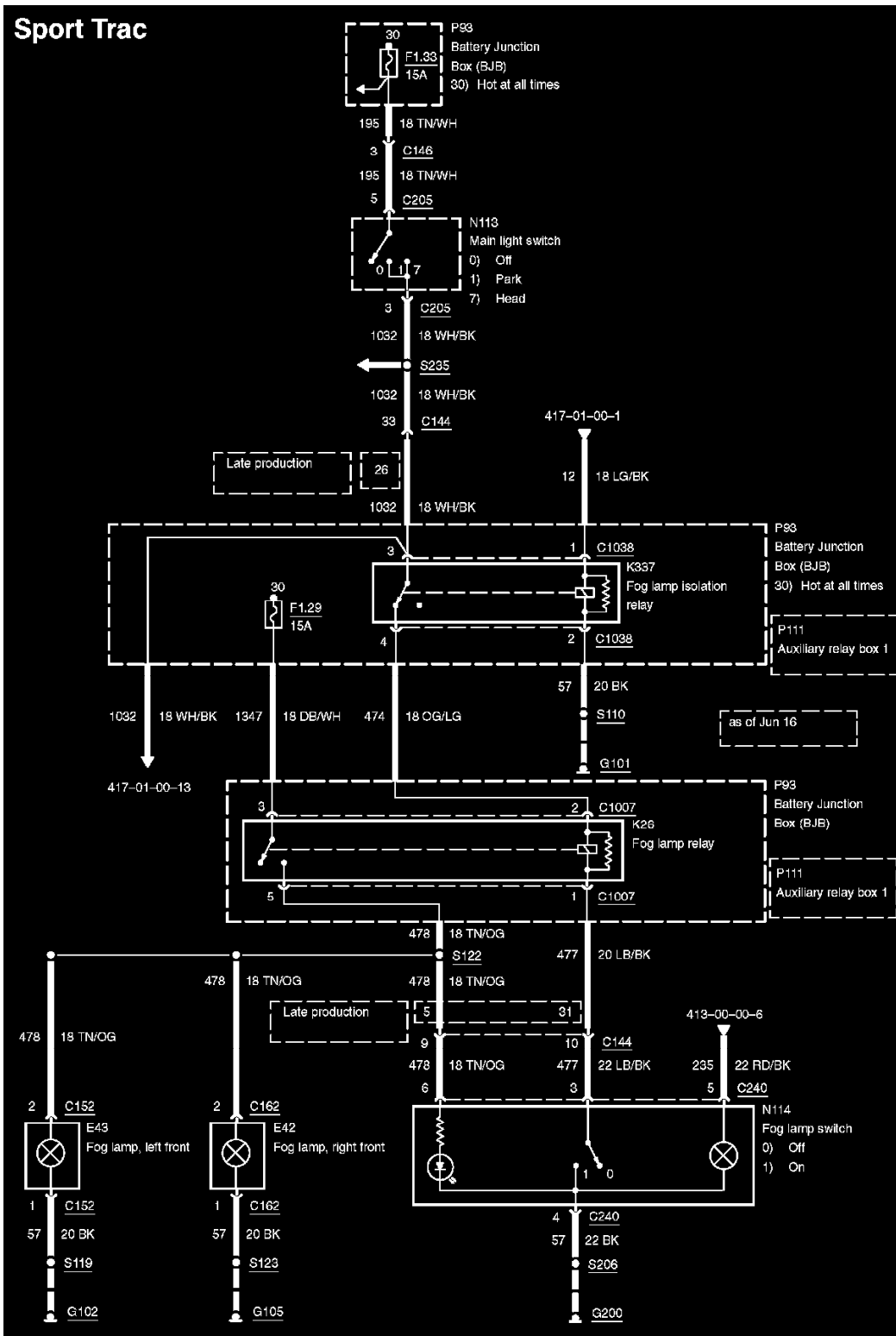


Diagram 417-01-00-11

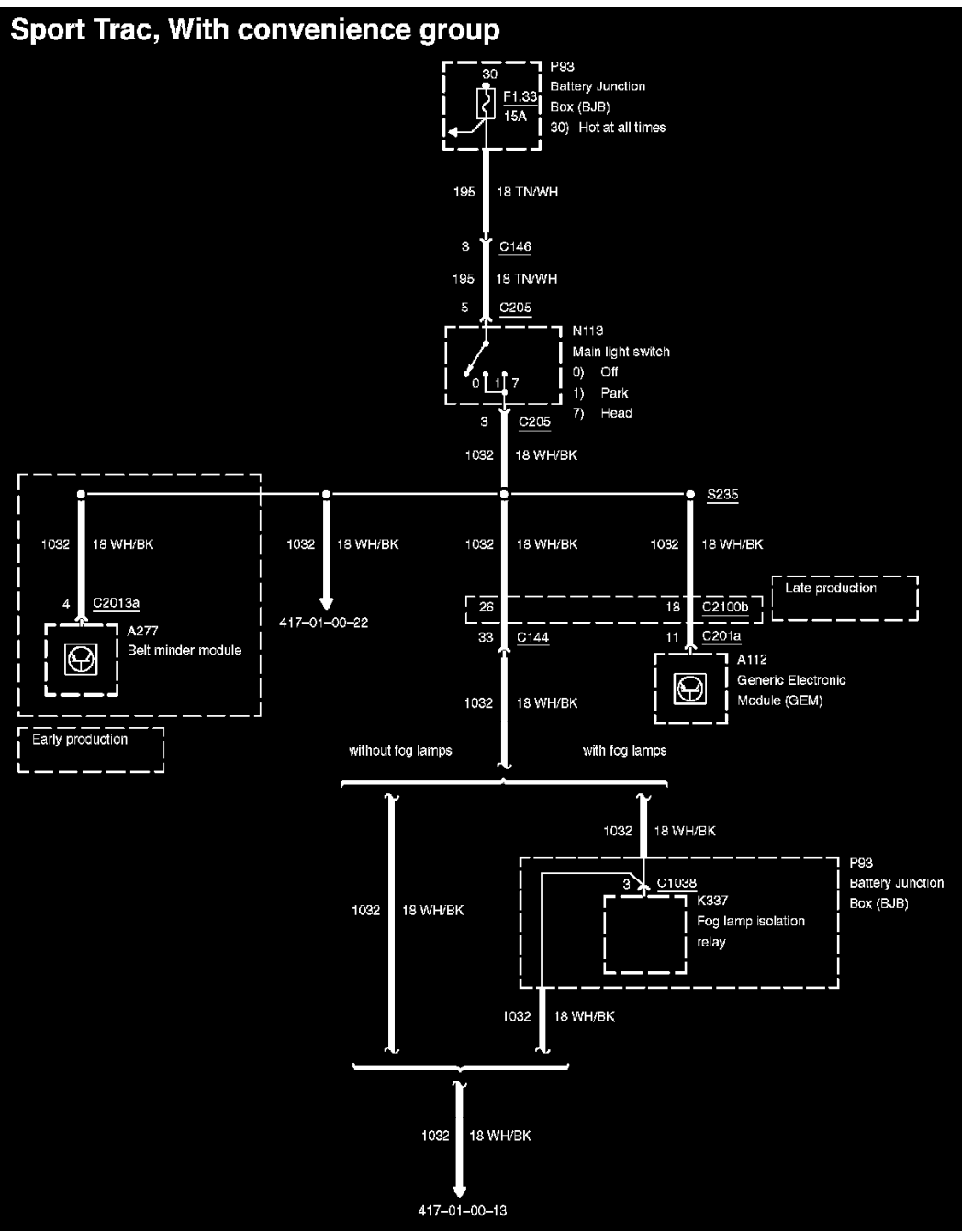


Diagram 417-01-00-12

Sport Trac, Lower option content

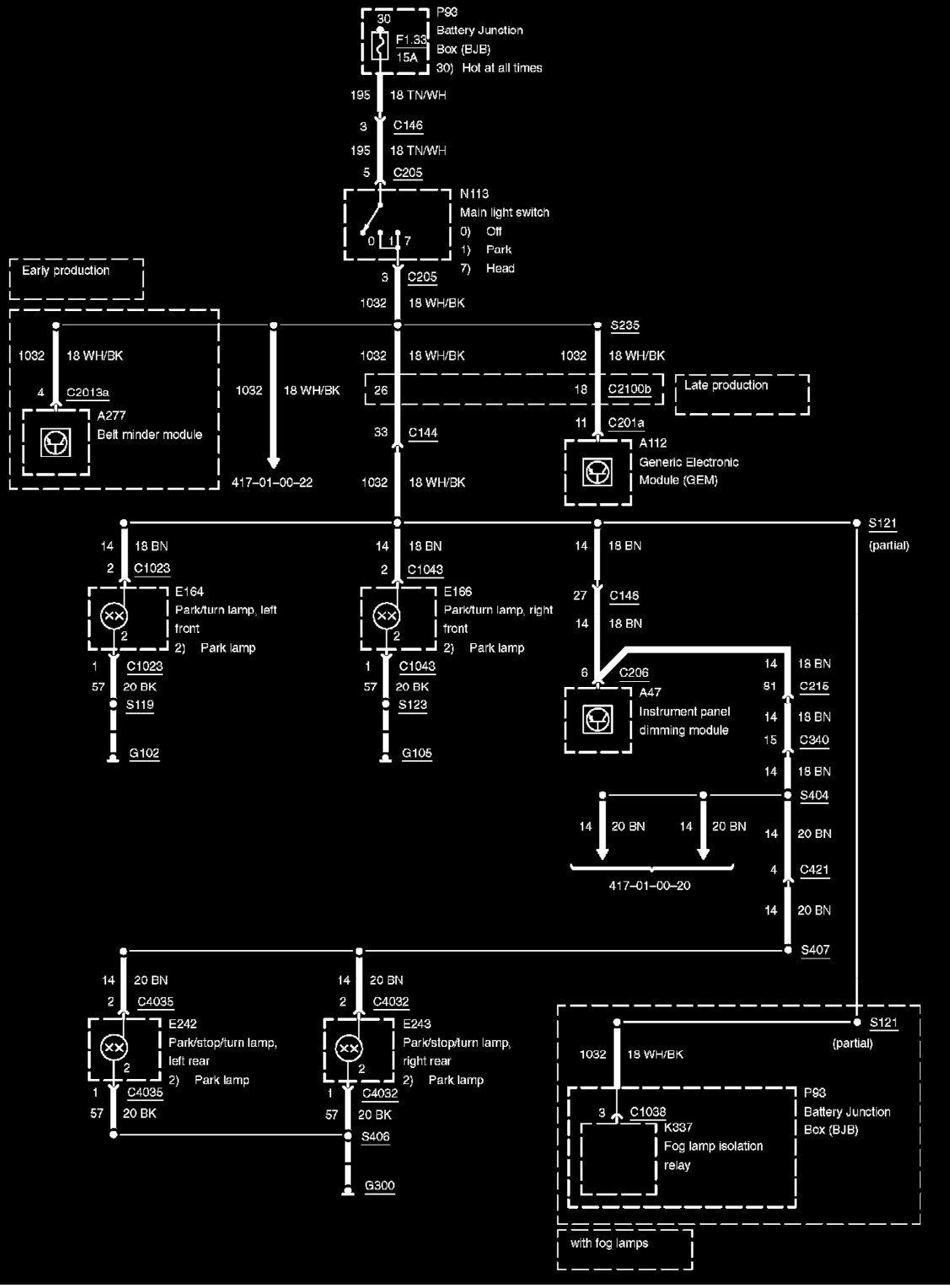


Diagram 417-01-00-14

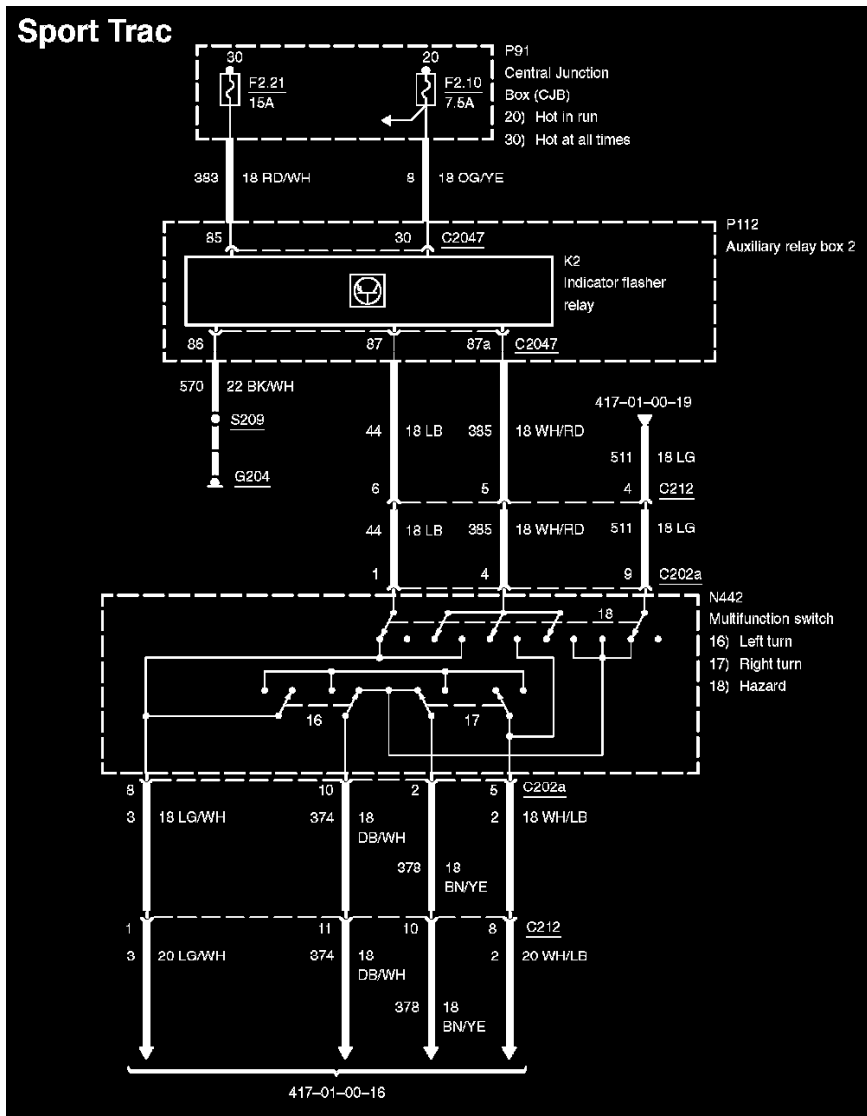


Diagram 417-01-00-15

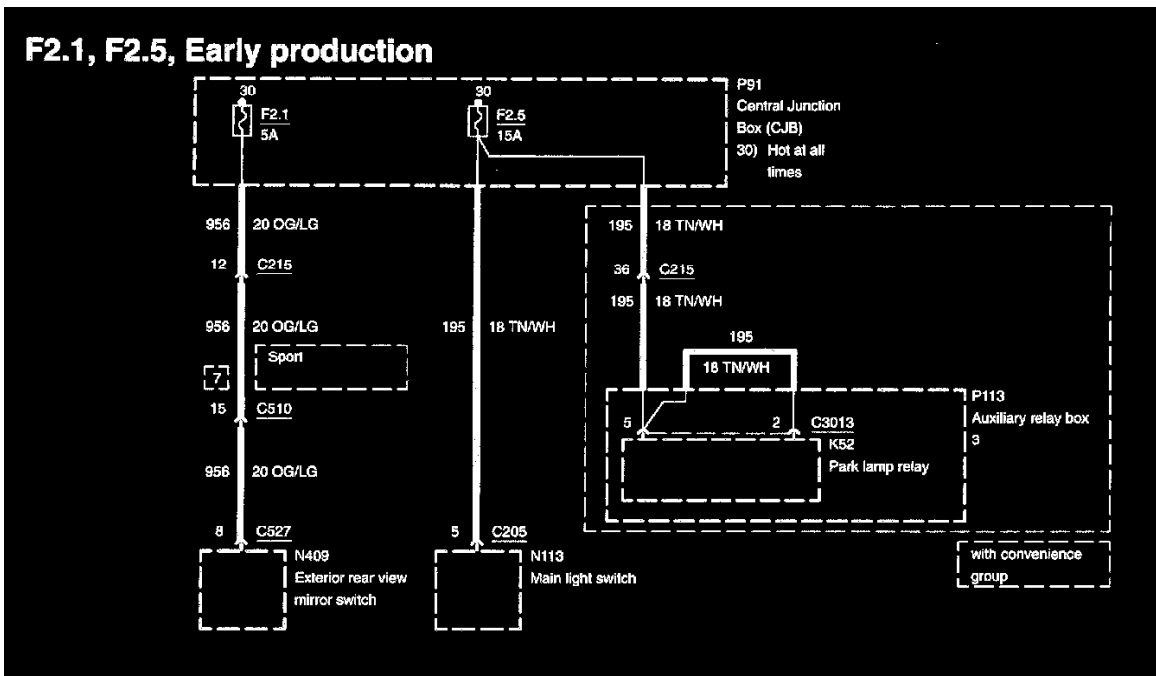


Diagram 700-03-00-10

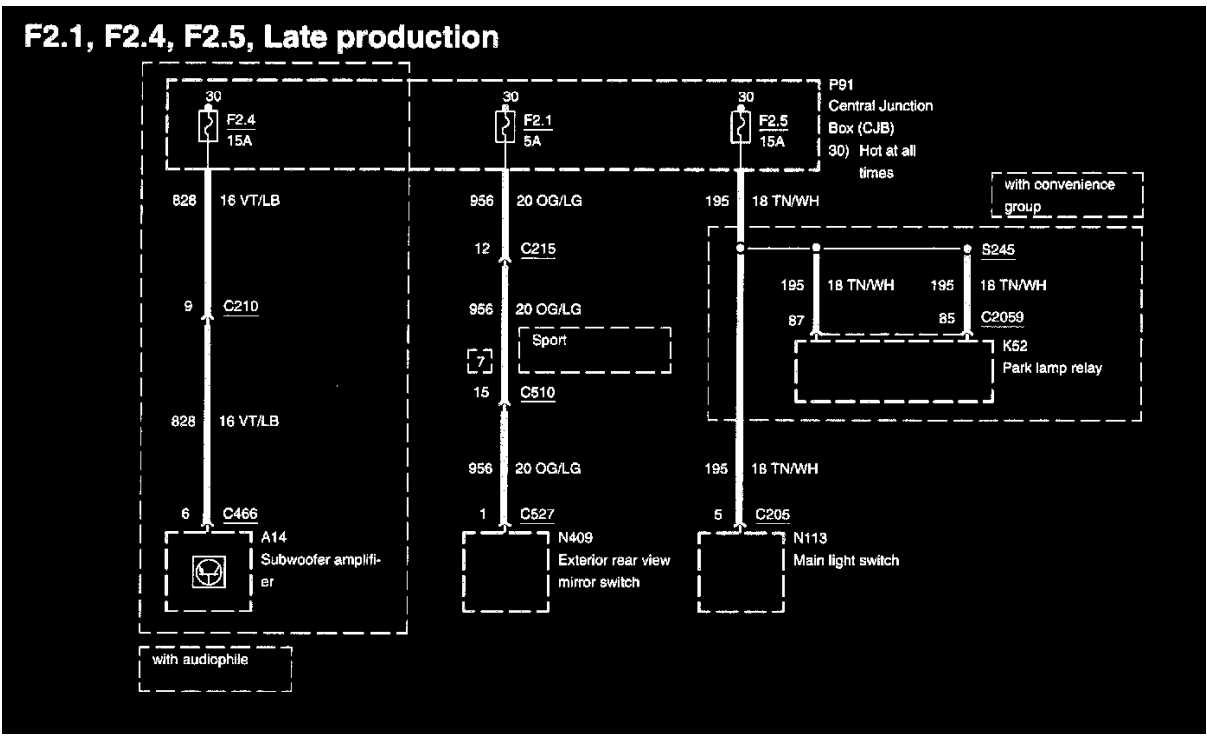


Diagram 700-03-00-11