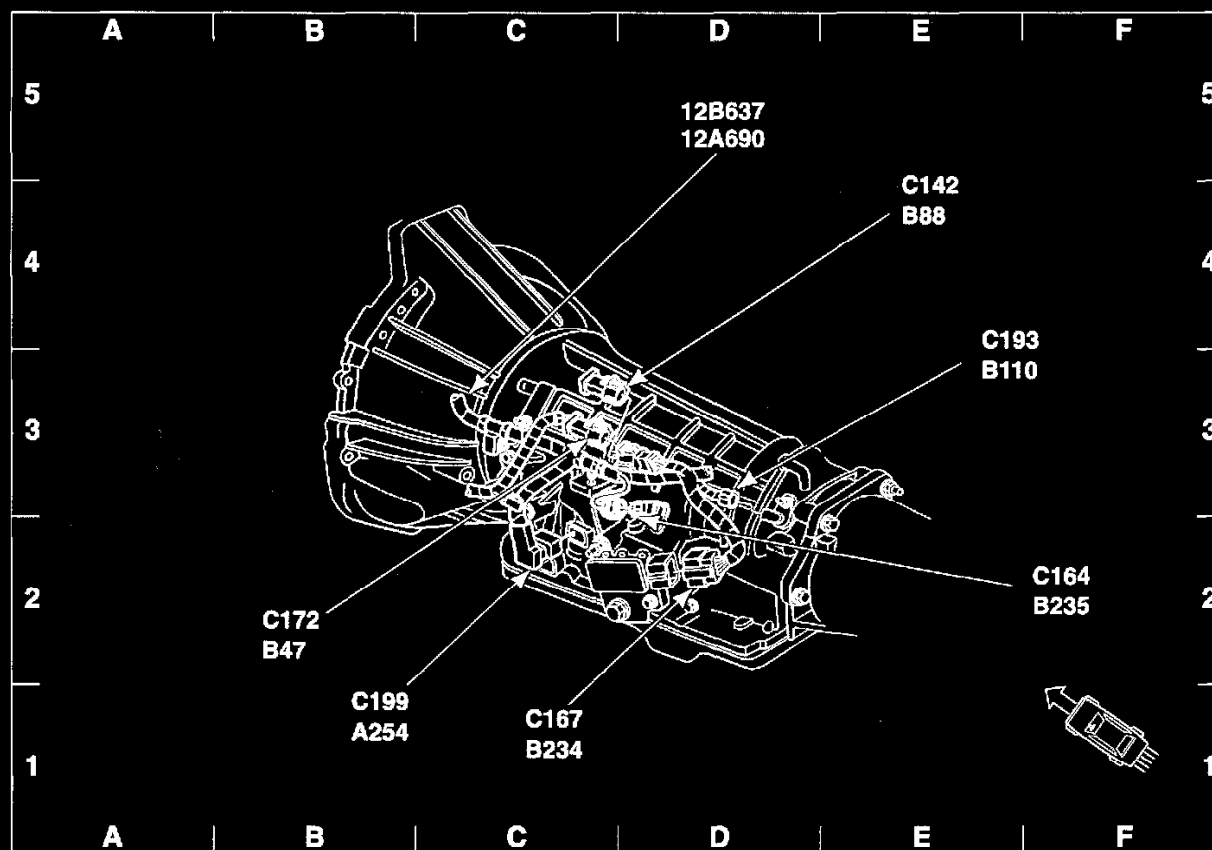
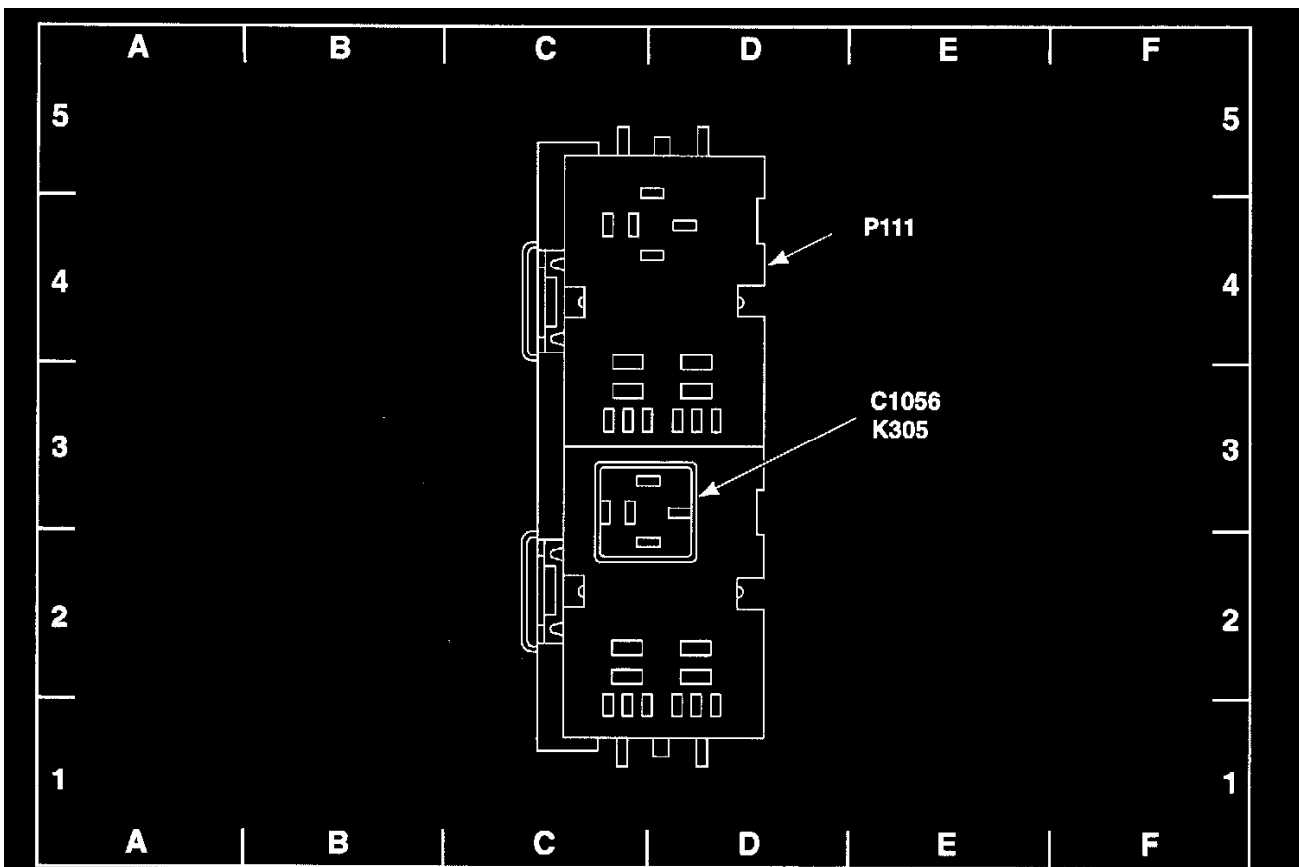


Vehicle: Locations



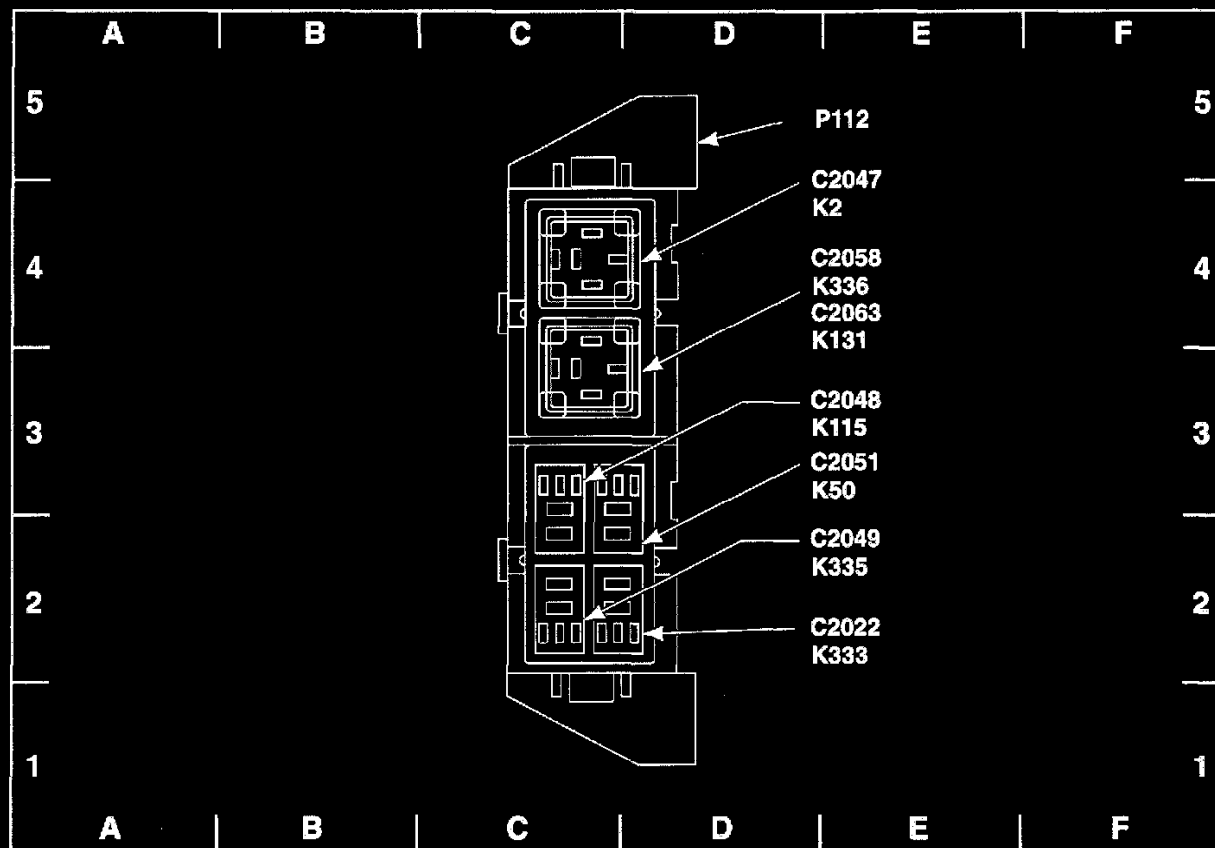
**automatic transmission**

12A690 .....	D 5	B235 . Intermediate Shaft Speed (ISS) sensor -	
12B637 - Early production .....	D 5	Late production .....	F 2
A254 . 5R55E Transmission .....	B 1	C142 .....	E 4
B47 . Heated Oxygen Sensor (HO2S) #21 .....	B 2	C164 . - Late production .....	F 2
B88 . Heated Oxygen Sensor (HO2S) #12 .....	E 4	C167 .....	C 1
B110 . Output shaft speed sensor (OSS) .....	E 3	C172 .....	B 2
B234 . Digital Transmission Range (DTR)		C193 .....	E 3
sensor .....	C 1	C199 .....	B 1



**Auxiliary relay box 1**

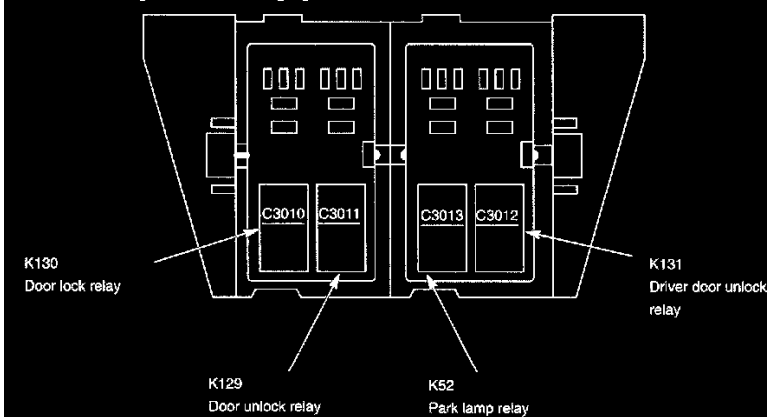
C1056 .....	E 3	P111 . Auxiliary relay box 1 .....	E 4
K305 . High speed fan control relay .....	E 3		

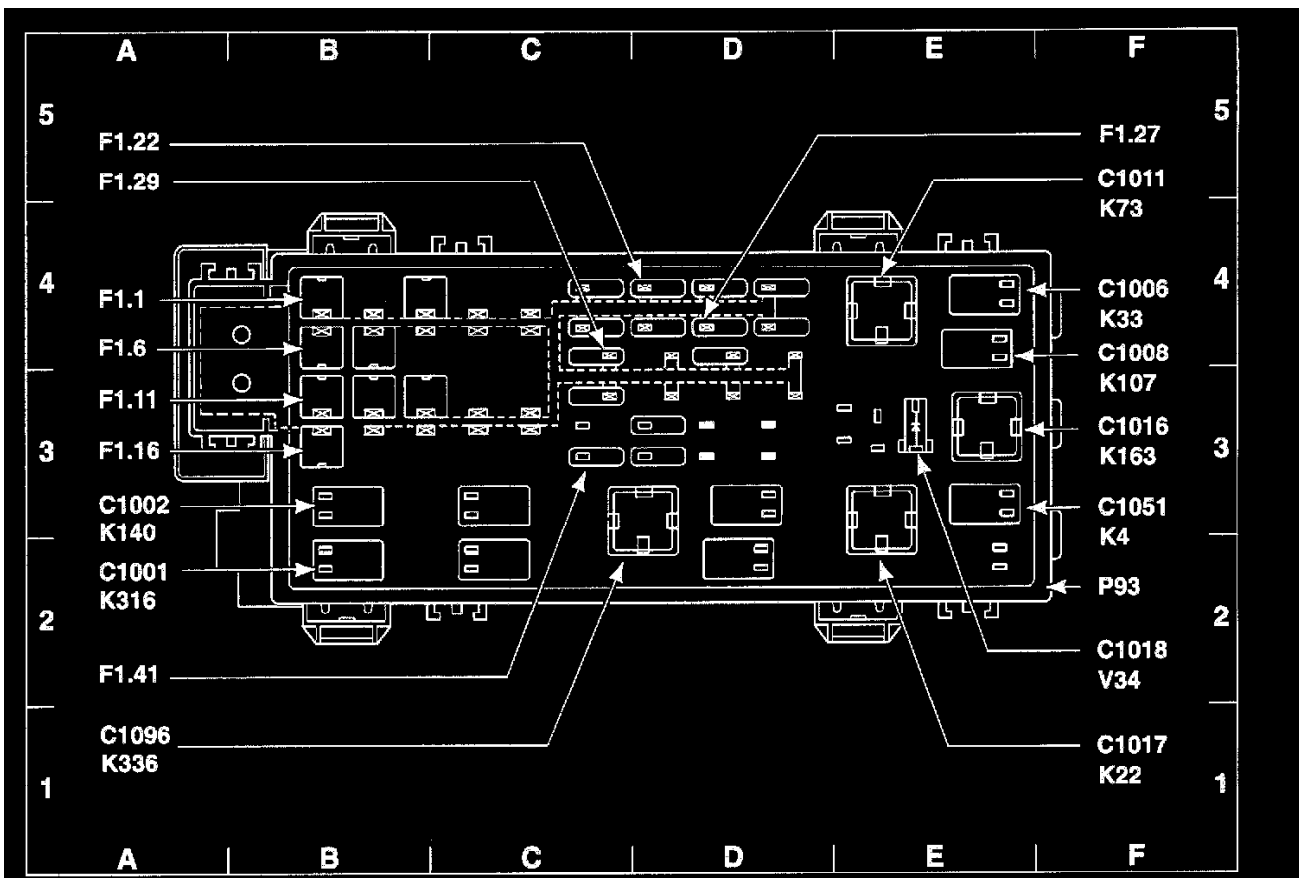


**Auxiliary relay box 2**

C2022	.....	E 2	K50	.. One-touch window relay	.....	E 3
C2047	.....	E 4	K115	. Battery saver relay	.....	E 3
C2048	.....	E 3	K131	. Driver door unlock relay - Early		
C2049	.....	E 2		production	.....	E 4
C2051	.....	E 3	K333	. Interior lamps relay	.....	E 2
C2058	.....	E 4	K335	. Trailer tow relay	.....	E 2
C2063	Early production	E 4	K336	. Window safety relay	.....	E 4
K2	... Indicator flasher relay	E 4	P112	. Auxiliary relay box 2	.....	D 5

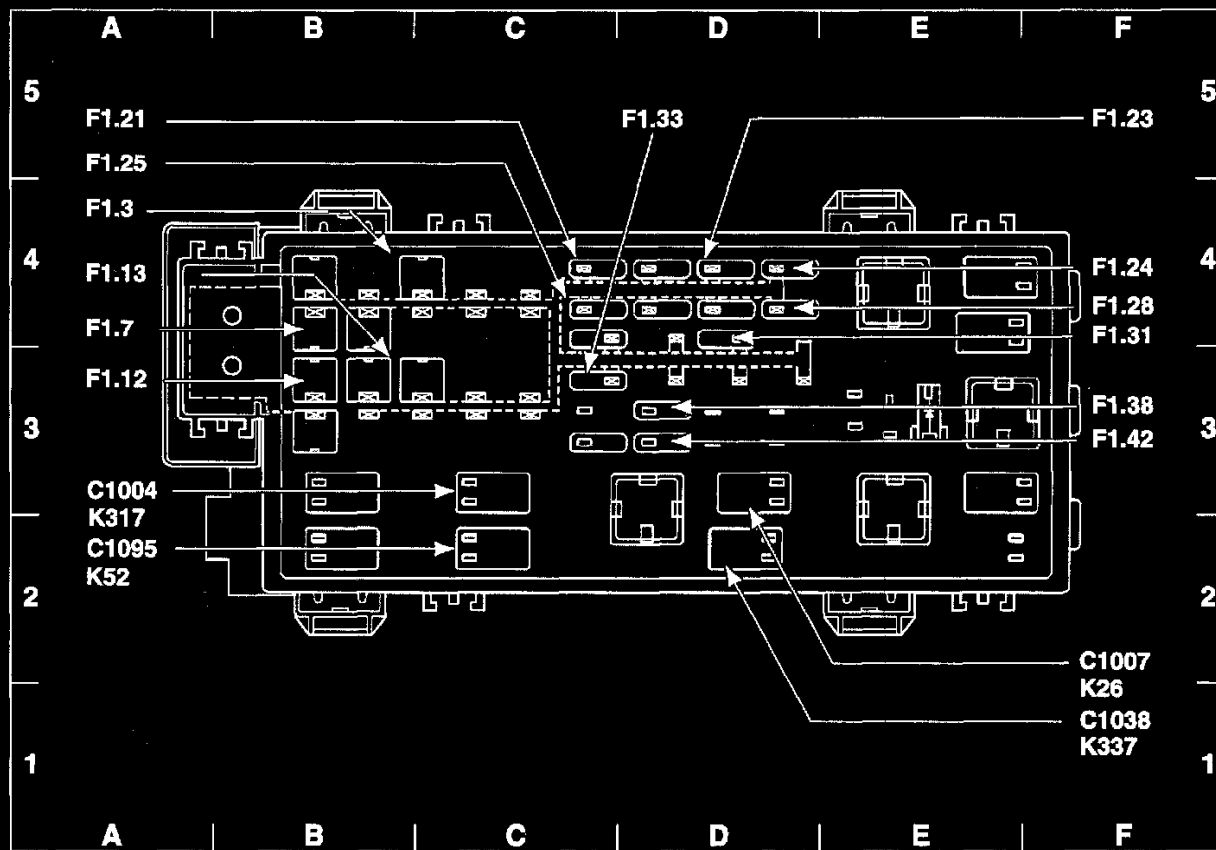
**Auxiliary relay box 3,  
Sport, Early production**





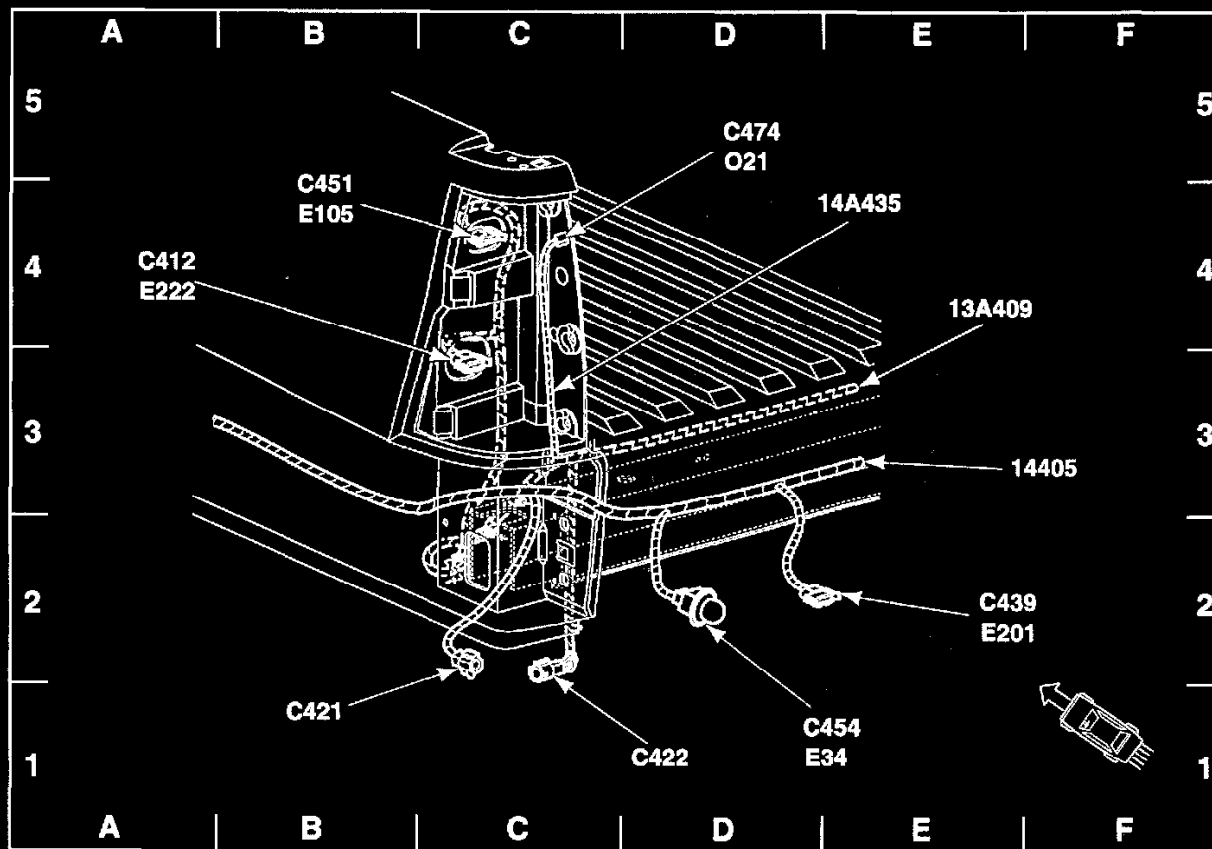
**Battery Junction Box (BJB) – Sport Trac**

C1001	.....	A 2	F1.27	.....	F 5
C1002	.....	A 3	F1.29	.....	A 5
C1006	.....	F 4	F1.41	.....	A 2
C1008	.....	F 4	K4 .. Fuel pump relay	.....	F 2
C1011	.....	F 5	K22 .. Starter relay	.....	F 1
C1016	.....	F 3	K33 .. Horn relay	.....	F 4
C1017	.....	F 1	K73 .. Blower motor relay	.....	F 4
C1018	.....	F 2	K107 .. A/C clutch relay	.....	F 3
C1051	.....	F 3	K140 .. Wiper run/park relay	.....	A 3
C1096	.....	A 1	K163 .. PCM power relay	.....	F 3
F1.1	.....	A 4	K316 .. Wiper high/low relay	.....	A 2
F1.6	.....	A 4	K336 .. Window safety relay	.....	A 1
F1.11	.....	A 3	P93 .. Battery Junction Box (BJB)	.....	F 2
F1.16	.....	A 3	V34 .. PCM Module power diode	.....	F 2
F1.22	.....	A 5			



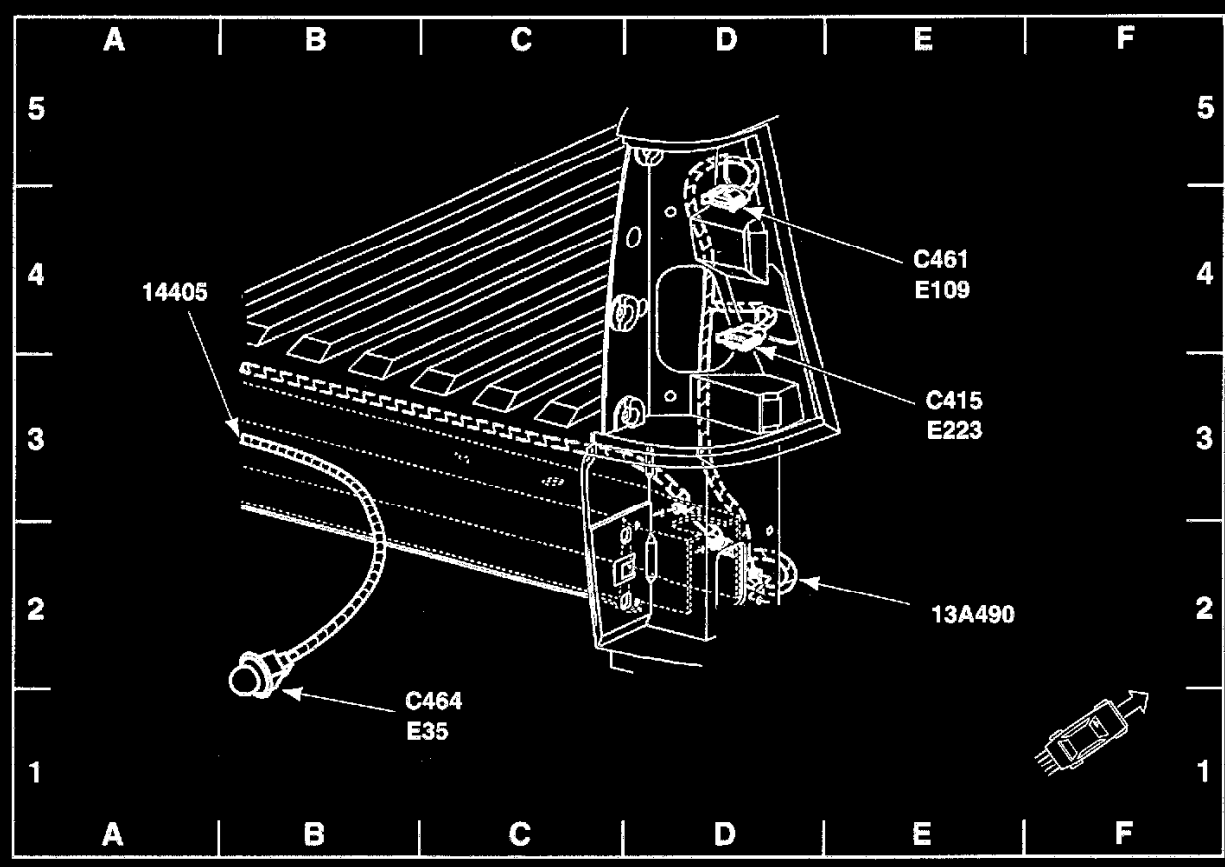
**Battery Junction Box (BJB) – Sport Trac**

C1004	.....	A 3	F1.25	.....	A 5
C1007	.....	F 2	F1.28	.....	F 4
C1038	.....	F 1	F1.31	.....	F 4
C1095	.....	A 2	F1.33	.....	D 5
F1.3	.....	A 4	F1.38	.....	F 3
F1.7	.....	A 4	F1.42	.....	F 3
F1.12	.....	A 3	K26 . .	Fog lamp relay	F 1
F1.13	.....	A 4	K52 . .	Park lamp relay	A 2
F1.21	.....	A 5	K317 .	Windshield washer relay	A 2
F1.23	.....	F 5	K337 .	Fog lamp isolation relay	F 1
F1.24	.....	F 4			



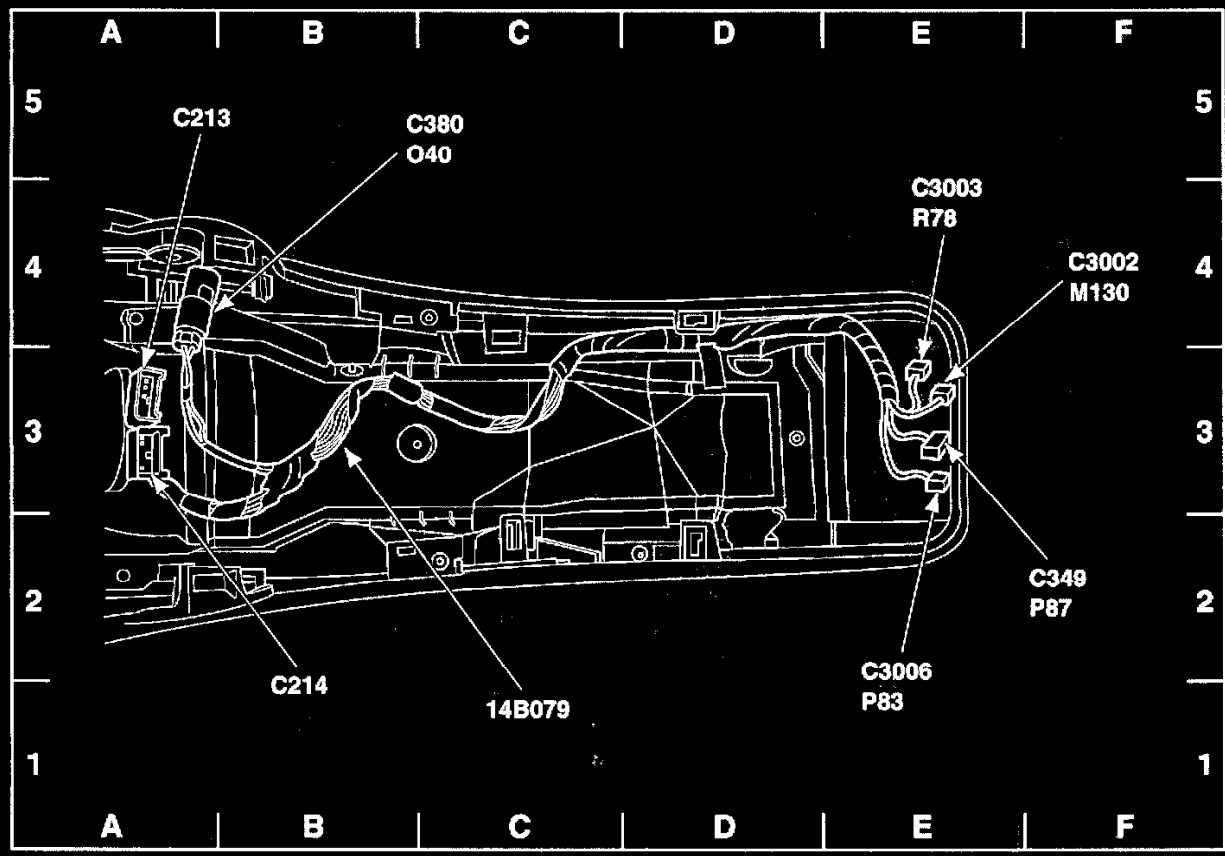
**rear bumper, LH side – Sport Trac**

13A409	.....	E 4	C454	.....	E 1
14A435	.....	E 4	C474	.....	D 5
14405	.....	F 3	E34	. License plate lamp, left	E 1
C412	.....	A 4	E105	. Reversing lamp, left	B 4
C421	.....	B 1	E201	. Trailer tow connector	E 2
C422	.....	D 1	E222	. Park/turn lamp, left rear	A 4
C439	.....	E 2	O21	. Power point, rear	D 5
C451	.....	B 4			



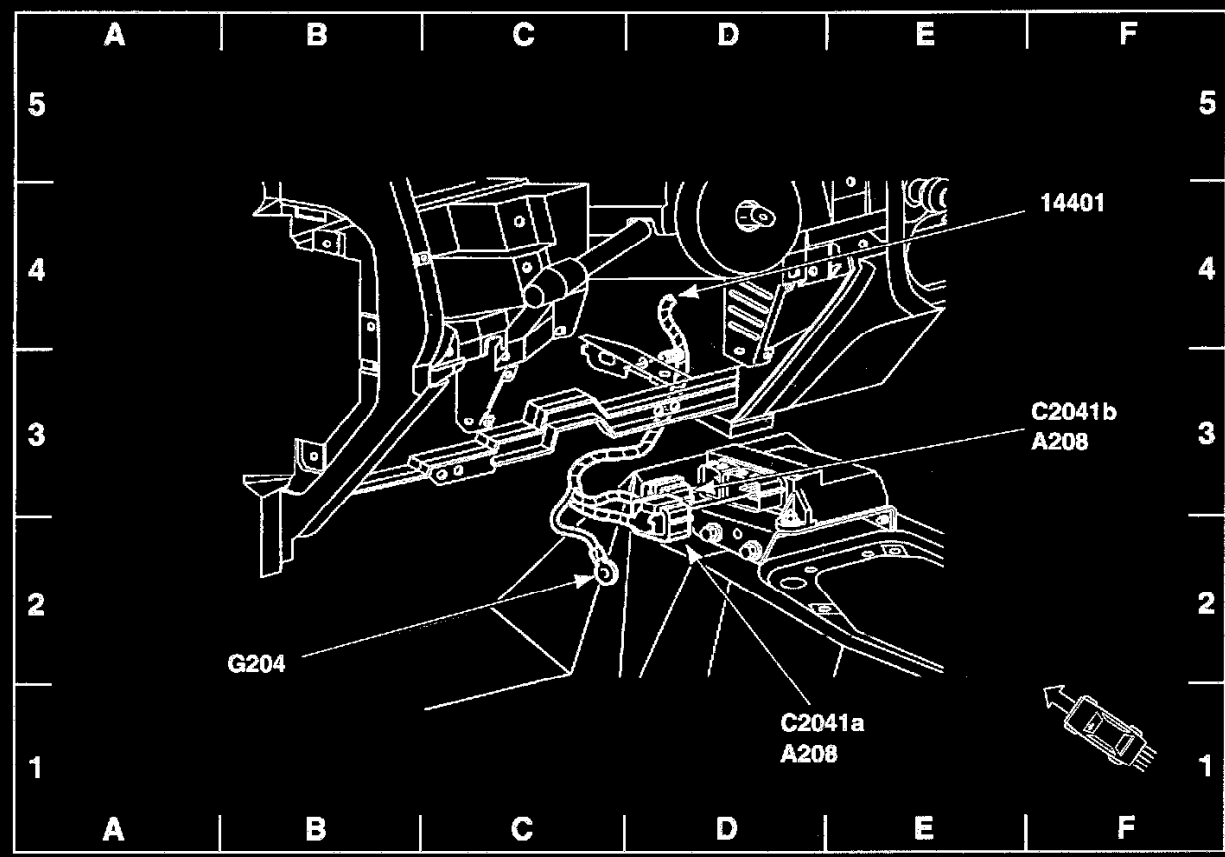
**rear bumper, RH side – Sport Trac**

13A490 .....	E 2	C464 .....	C 1
14405 .....	A 4	E35 . . License plate lamp, right .....	C 1
C415 .....	E 3	E109 . Reversing lamp, right .....	E 4
C461 .....	E 4	E223 . Park/turn lamp, right rear .....	E 3



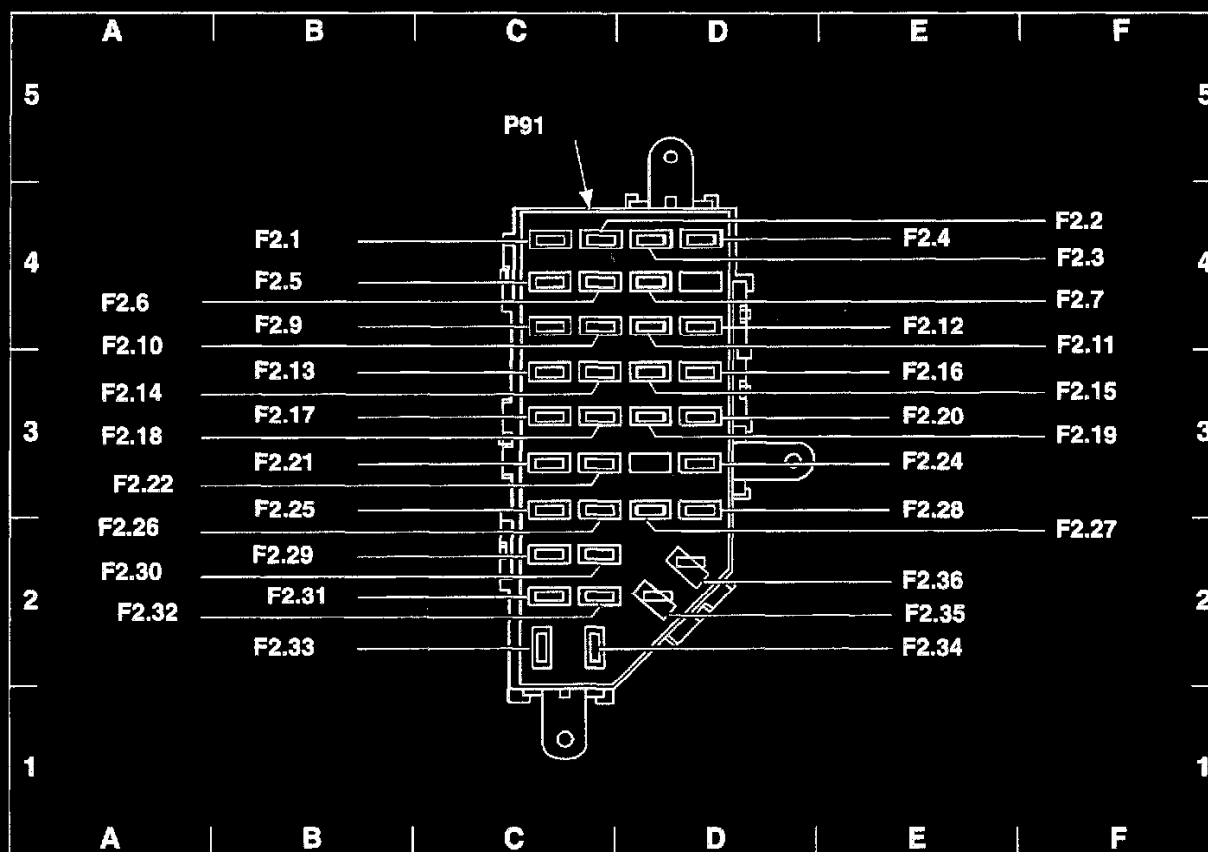
**center console**

14B079 .....	C 1	C3006 .....	E 2
C213 .....	A 5	M130 Rear blower motor .....	F 4
C214 .....	B 1	O40 .. Power point, console .....	C 5
C349 .....	F 2	P83 .. Function selector switch assembly, rear ..	E 1
C380 .....	C 5	P87 .. Rear Integrated Control Panel (RICP) ..	F 2
C3002 .....	F 4	R78 .. Heater blower motor resistor, rear .....	E 4
C3003 .....	E 4		



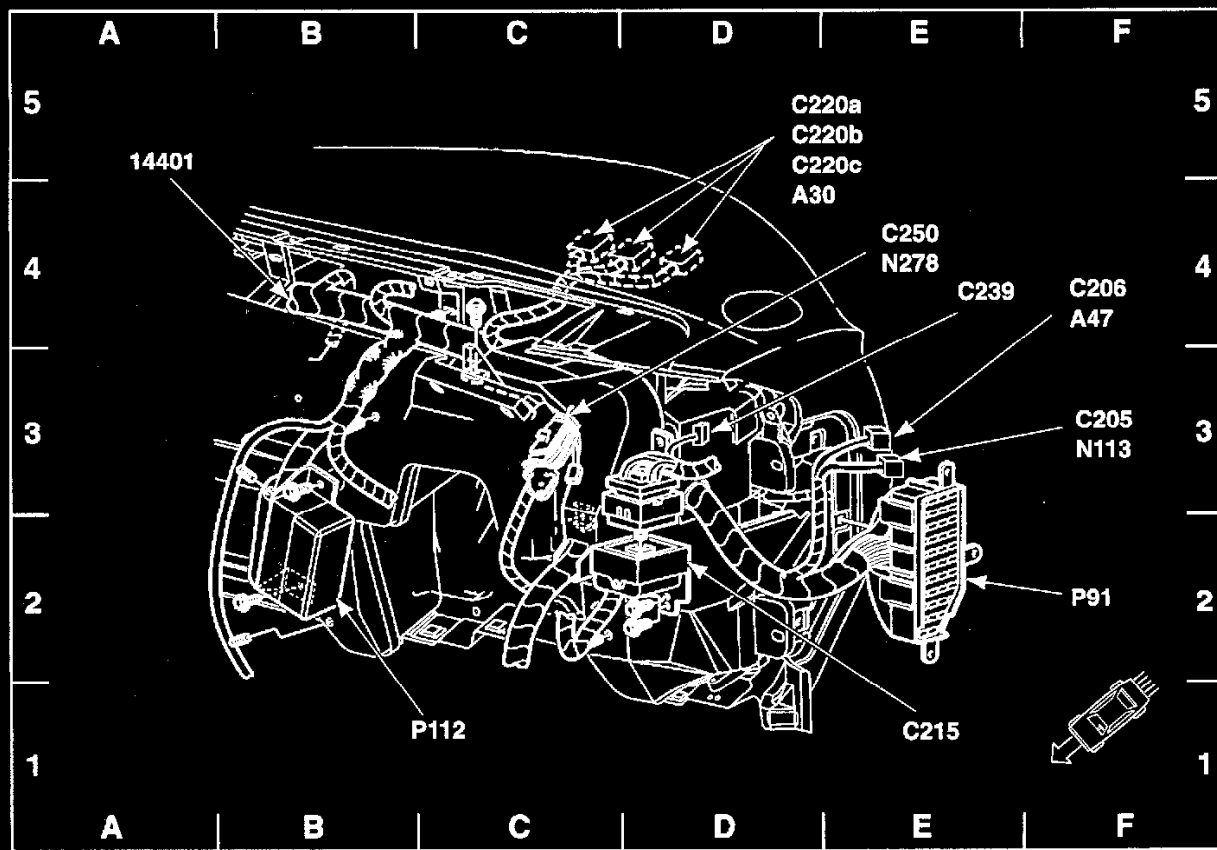
**center console, front**

14401 .....	F 4	C2041a .....	D 1
A208 . Restraints Control Module (RCM) .....	F 3	C2041b .....	F 3
A208 . Restraints Control Module (RCM) .....	D 1	G204 .....	B 2



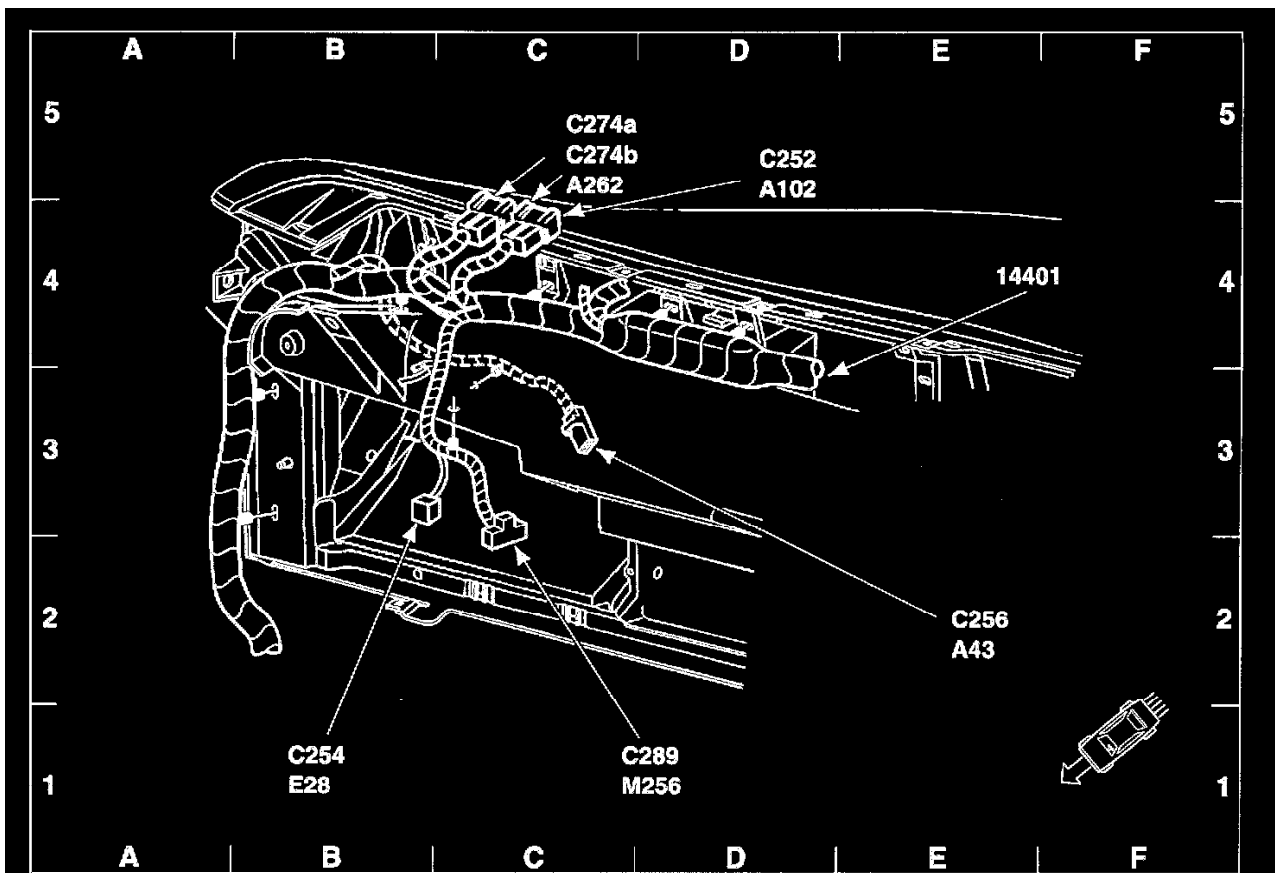
**Central Junction Box (CJB)**

F2.1	.....	B 4	F2.20	.....	E 3
F2.2	.....	F 4	F2.21	.....	B 3
F2.3	.....	F 4	F2.22	.....	A 3
F2.4	.....	E 4	F2.24	.....	E 3
F2.5	.....	B 4	F2.25	.....	B 3
F2.6	.....	A 4	F2.26	.....	A 2
F2.7	.....	F 4	F2.27	.....	F 2
F2.9	.....	B 4	F2.28	.....	E 3
F2.10	.....	A 4	F2.29	.....	B 2
F2.11	.....	F 4	F2.30	.....	A 2
F2.12	.....	E 4	F2.31	.....	B 2
F2.13	.....	B 3	F2.32	.....	A 2
F2.14	.....	A 3	F2.33	.....	B 2
F2.15	.....	F 3	F2.34	.....	E 2
F2.16	.....	E 3	F2.35	.....	E 2
F2.17	.....	B 3	F2.36	.....	E 2
F2.18	.....	A 3	P91 .. Central Junction Box (CJB)	.....	C 5
F2.19	.....	F 3			



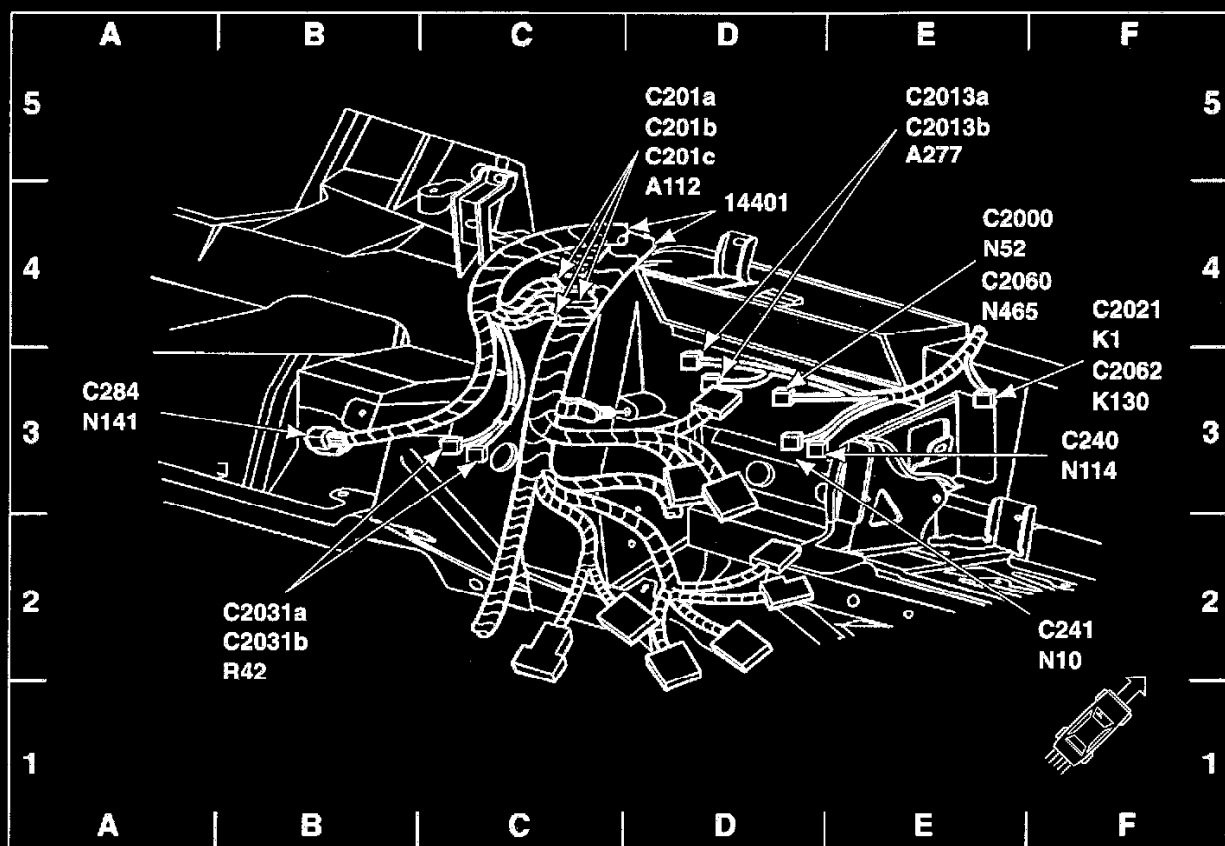
**behind dash panel, LH side**

14401 .....	A 5	C220c .....	E 5
A30 . . Instrument cluster .....	D 4	C239 .....	E 4
A47 . . Instrument panel dimming module .....	F 4	C250 .....	E 4
C205 .....	F 3	N113 . Main light switch .....	F 3
C206 .....	F 4	N278 . Ignition switch .....	E 4
C215 .....	E 1	P91 . . Central Junction Box (CJB) .....	F 2
C220a .....	E 5	P112 . Auxiliary relay box 2 .....	C 1
C220b .....	E 5		



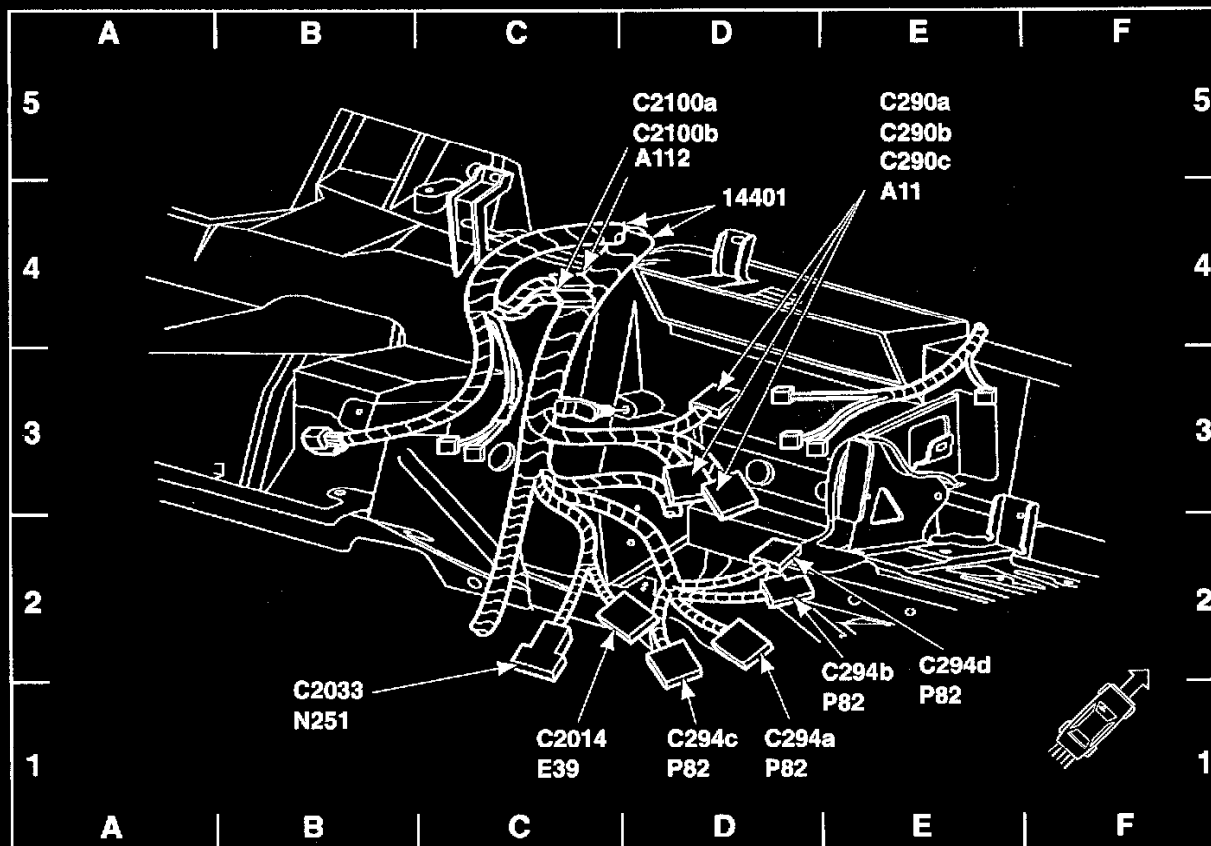
**behind dash panel, RH side**

14401 .....	E 4	C256 .....	E 2
A43 .. Passenger air bag module .....	E 2	C274a Late production .....	C 5
A102 .. Passive anti-theft transceiver module -		C274b Late production .....	C 5
Early production .....	D 5	C289 .....	D 1
A262 .. Central security module - Late production	C 5	E28 .. Glove box lamp .....	B 1
C252 .. Early production .....	D 5	M256 Temperature blend door actuator .....	D 1
C254 .....	B 1		



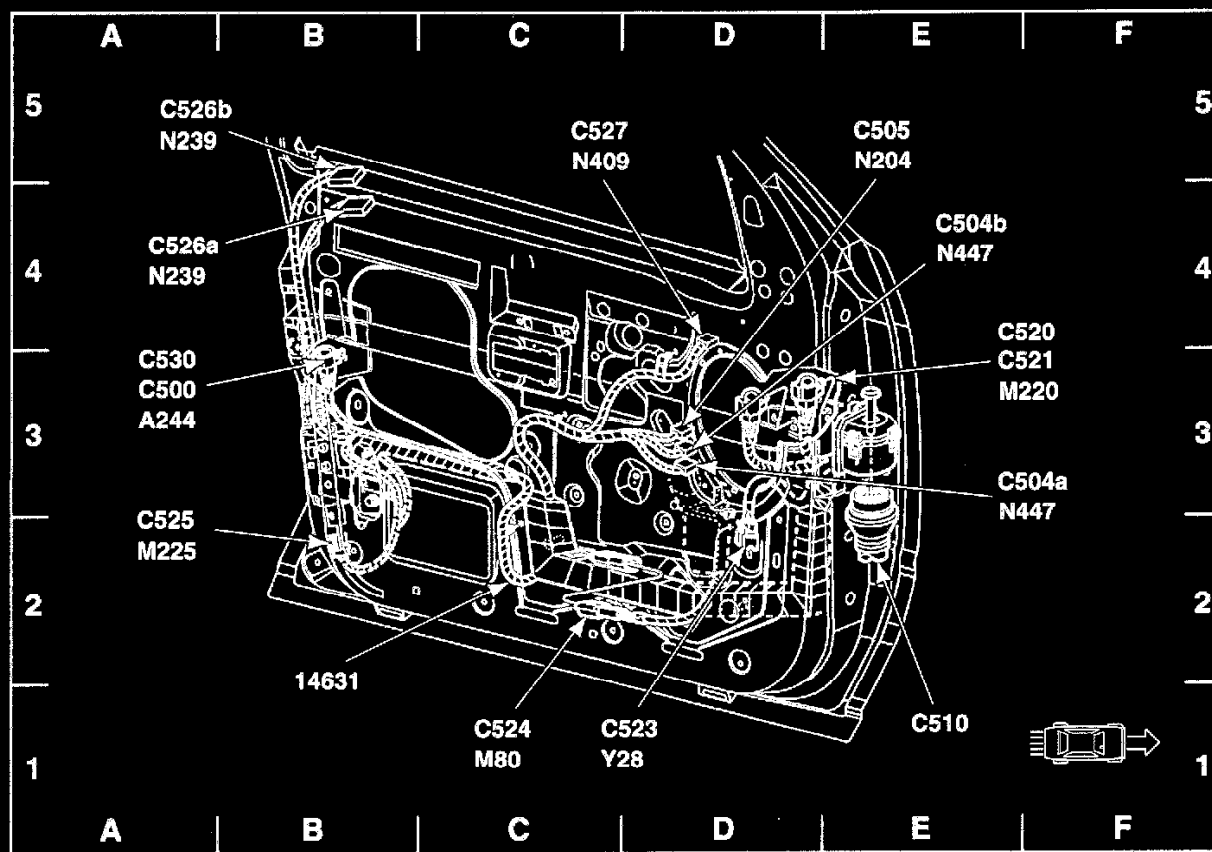
**dash panel, center**

14401 .....	D 4	C2031a .....	B 2
A112 . Generic Electronic Module (GEM) .....	D 4	C2031b .....	B 2
A277 . Belt minder module - Early production ..	E 5	C2060 .....	E 4
C201a Early production .....	D 5	C2062 Early production .....	F 3
C201b Early production .....	D 5	K1 . . . Rear window defrost relay .....	F 4
C201c Early production .....	D 5	K130 . Door lock relay - Early production .....	F 3
C240 .....	F 3	N10 . . Rear window defrost switch .....	F 2
C241 .....	F 2	N52 . . Rear window wiper/washer switch .....	E 4
C284 .....	A 3	N114 . Fog lamp switch .....	F 3
C2000 .....	E 4	N141 . Four-wheel drive switch .....	A 3
C2013a Early production .....	E 5	N465 . Rear window adjust switch .....	E 4
C2013b Early production .....	E 5	R42 . . Cigar lighter, front .....	B 2
C2021 .....	F 4		



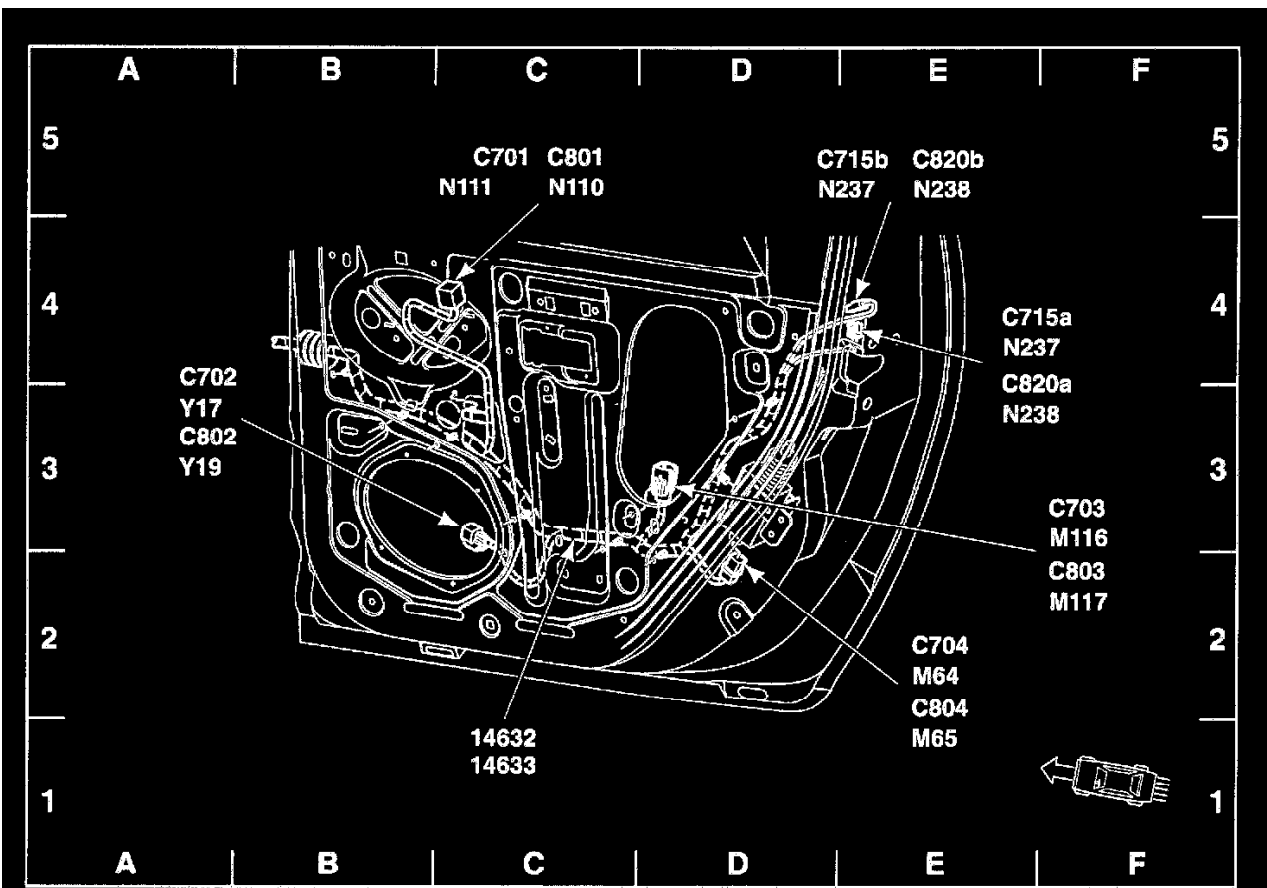
**dash panel, center**

14401 .....	D 4	C294d .....	E 2
A11 .. Radio .....	E 4	C2014 .....	C 1
A112 .. Generic Electronic Module (GEM) - Late production .....	D 5	C2033 .....	B 1
C290a .....	E 5	C2100a .....	D 5
C290b .....	E 5	C2100b .....	D 5
C290c .....	E 5	E39 .. Ashtray illumination lamp .....	C 1
C294a .....	D 1	N251 .. Power point .....	B 1
C294b .....	E 2	P82 .. Function selector switch assembly, front .....	D 1
C294c .....	D 1	P82 .. Function selector switch assembly, front .....	E 1



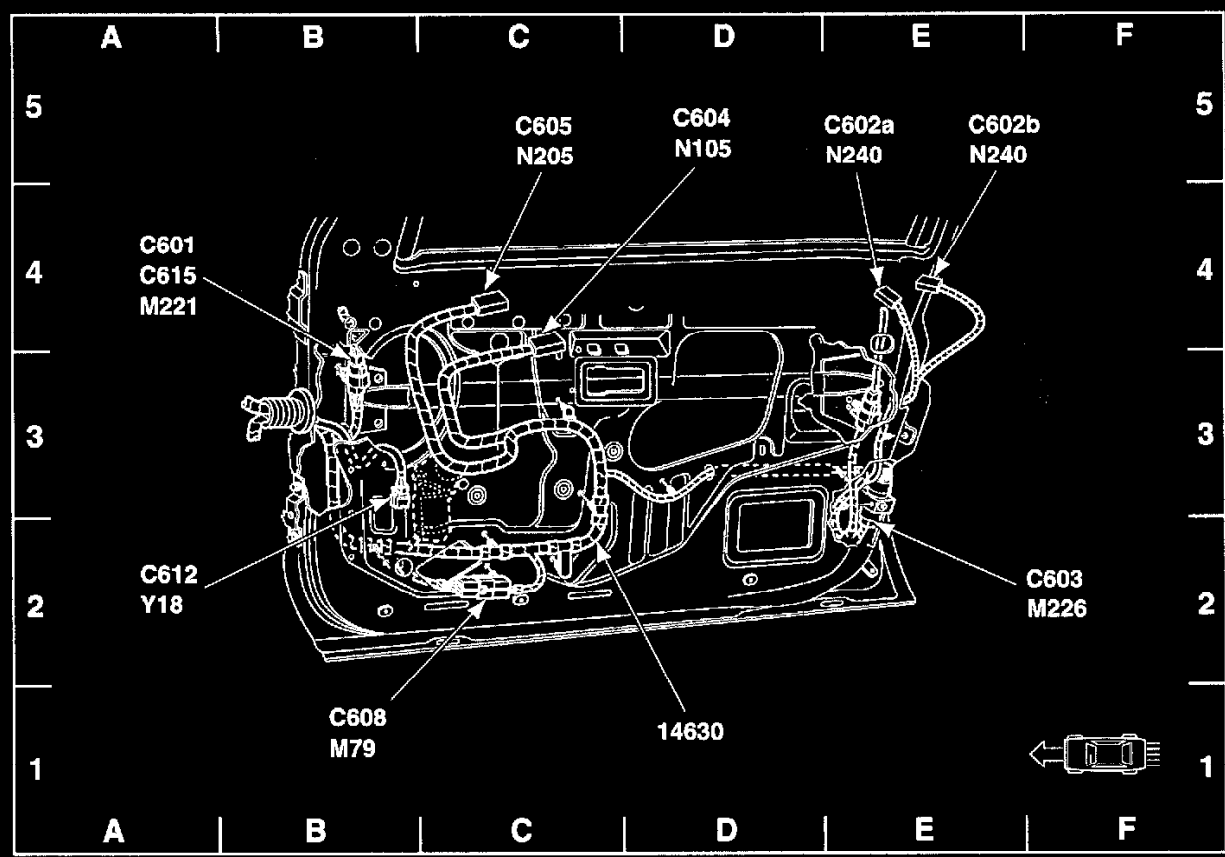
**left front door**

14631 .....	B 2	C526b .....	A 5
A244 . Key pad switch assembly .....	A 3	C527 .....	C 5
C500 . Early production .....	A 3	C530 . Late production .....	A 3
C504a .....	F 3	M80 . Power window motor, driver side front . . .	C 1
C504b .....	E 4	M220 Exterior rear view mirror, driver side . . .	F 3
C505 .....	E 5	M225 Door lock actuator, driver side .....	A 2
C510 .....	E 1	N204 . Door lock switch, driver side .....	E 5
C520 .....	F 4	N239 . Door ajar switch, driver side front . . . .	A 5
C521 .....	F 3	N239 . Door ajar switch, driver side front . . . .	A 4
C523 .....	D 1	N409 . Exterior rear view mirror switch .....	C 5
C524 .....	C 1	N447 . Master window adjust switch .....	F 3
C525 .....	A 2	N447 . Master window adjust switch .....	E 4
C526a .....	A 4	Y28 . Speaker, left front .....	D 1



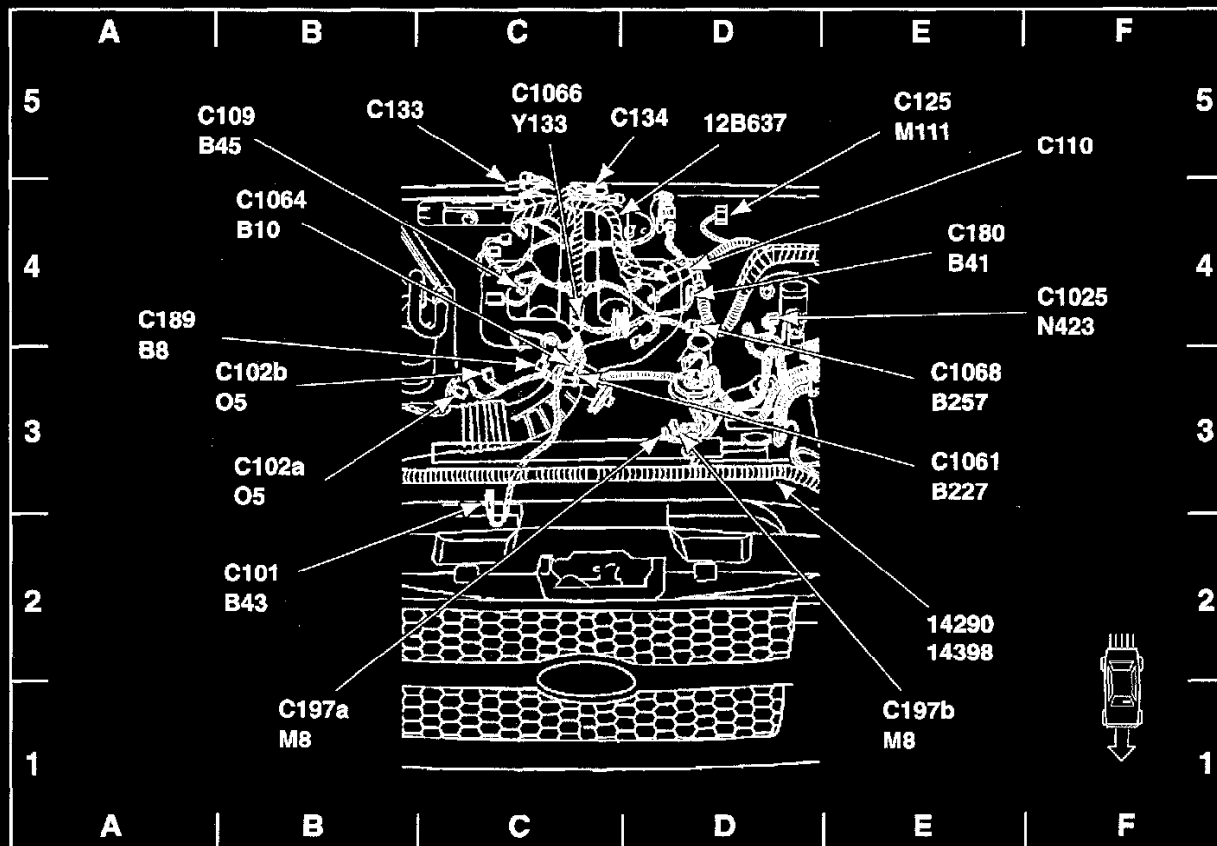
**rear door**

14632	.....	C 1	C820b	.....	E 5
14633	.....	C 1	M64	. Door lock actuator, left rear	E 2
C701	.....	C 5	M65	. Door lock actuator, right rear	E 1
C702	.....	A 4	M116	Power window motor, left rear	F 3
C703	.....	F 3	M117	Power window motor, right rear	F 2
C704	.....	E 2	N110	. Window adjust switch, right rear	C 5
C715a	.....	F 4	N111	. Window adjust switch, left rear	C 5
C715b	.....	E 5	N237	. Door ajar switch, driver side rear	F 4
C801	.....	C 5	N237	. Door ajar switch, driver side rear	E 5
C802	.....	A 3	N238	. Door ajar switch, passenger side rear	F 3
C803	.....	F 2	N238	. Door ajar switch, passenger side rear	E 5
C804	.....	E 2	Y17	. Speaker, left rear	A 3
C820a	.....	F 3	Y19	. Speaker, right rear	A 3



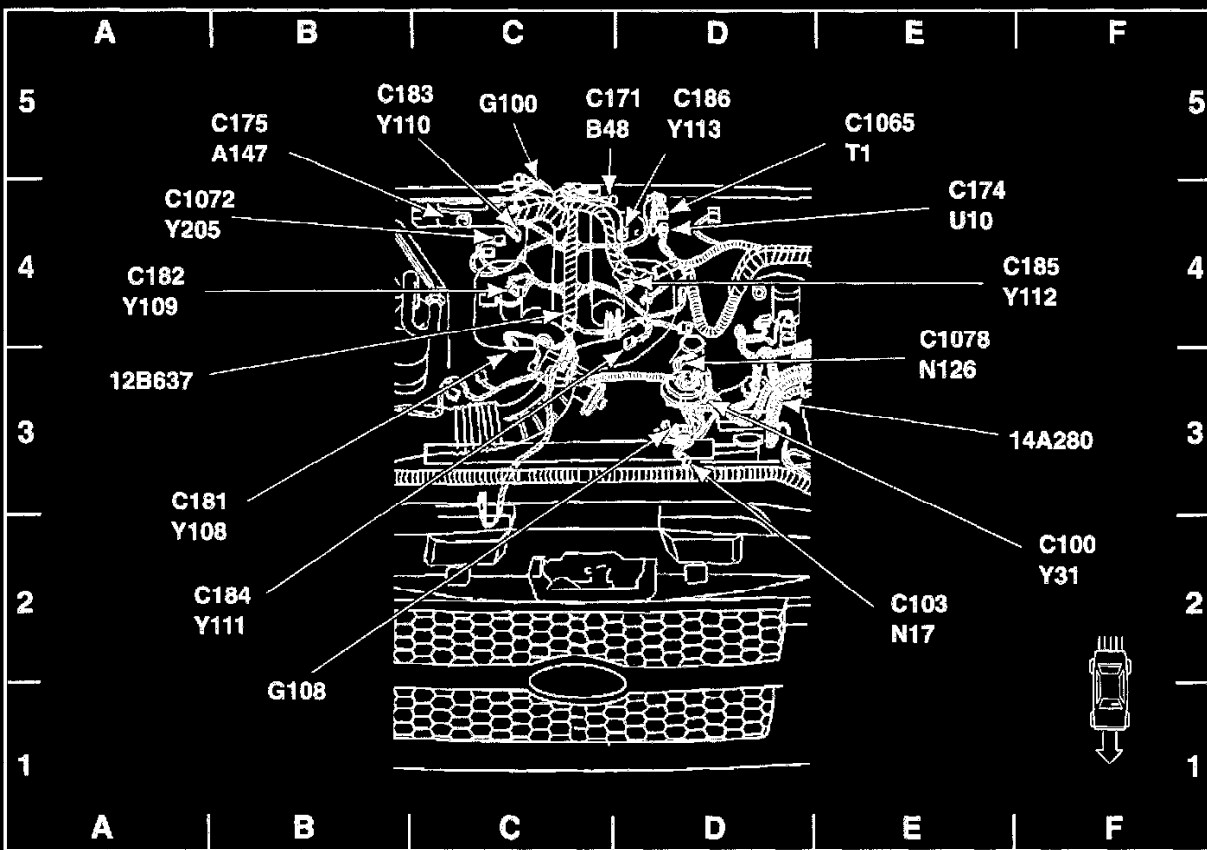
**right front door**

14630	.....	D 1	C615	.....	A 4
C601	.....	A 4	M79	Power window motor, passenger side front	B 1
C602a	.....	E 5	M221	Exterior rear view mirror, passenger side	A 4
C602b	.....	E 5	M226	Door lock actuator, passenger side	F 2
C603	.....	F 2	N105	Window adjust switch, passenger side	D 5
C604	.....	D 5	N205	Door lock switch, passenger side	C 5
C605	.....	C 5	N240	Door ajar switch, passenger side front	E 5
C608	.....	B 1	N240	Door ajar switch, passenger side front	E 5
C612	.....	A 2	Y18	Speaker, right front	A 2



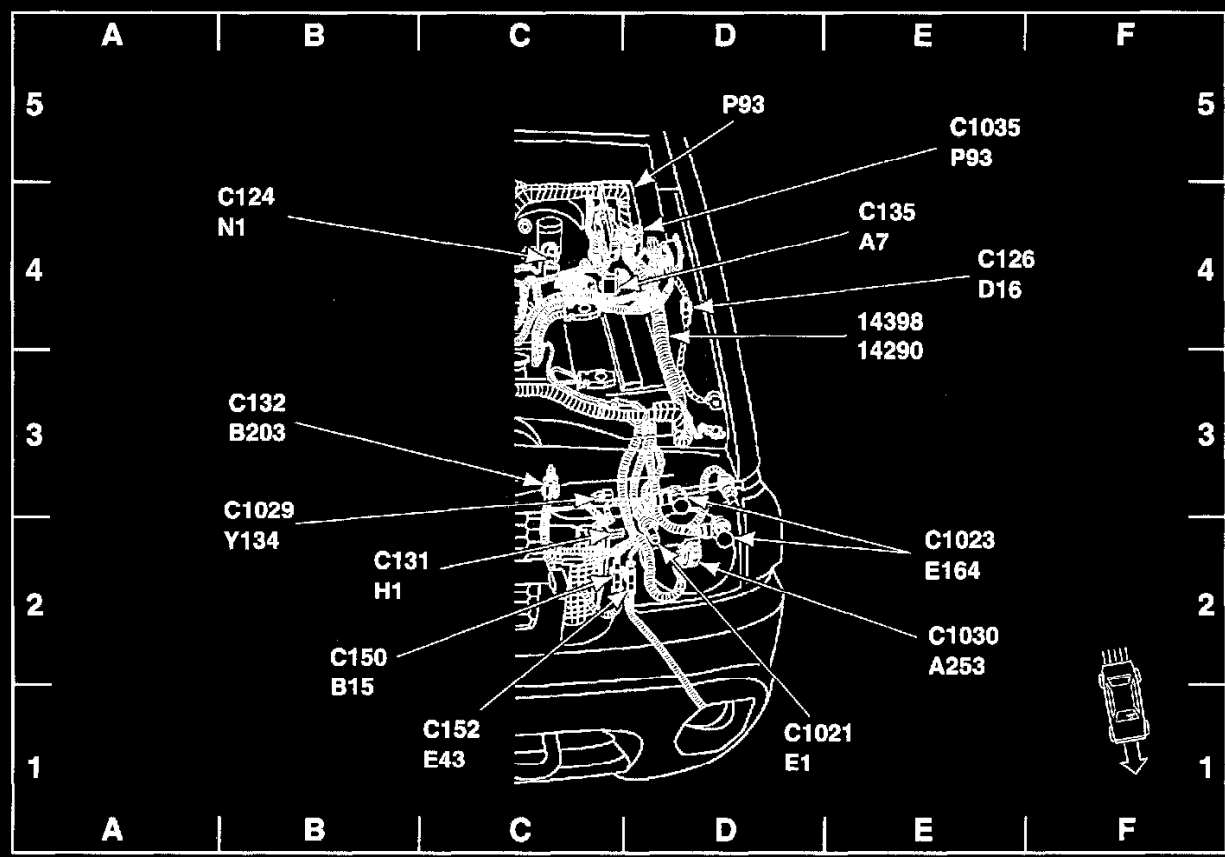
**engine compartment, center**

12B637	.....	D 5	C125	.....	E 5
14290	.....	E 2	C133	.....	B 5
14398	.....	E 2	C134	.....	D 5
B8	.. Throttle Position Sensor (TPS)	A 3	C180	.....	E 4
B10	.. Engine Coolant Temperature (ECT) sensor	B 4	C189	.....	A 4
B41	.. Camshaft position sensor	E 4	C197a	.....	B 1
B43	.. Crankshaft position sensor	B 2	C197b	.....	E 1
B45	.. Knock sensor	B 5	C1025	.....	F 4
B227	.. Engine Coolant Temperature (ECT) sender	E 3	C1061	.....	E 3
B257	.. Differential Pressure Feedback EGR (DPFE) sensor	E 3	C1064	.....	B 4
C101	.....	B 2	C1066	.....	C 5
C102a	.....	B 3	C1068	.....	E 3
C102b	.....	B 3	M8	.. Starter motor	B 1
C109	.....	B 5	M8	.. Starter motor	E 1
C110	.....	F 5	M111	.. Windshield wiper motor	E 5
			N423	.. Deactivator switch	F 4
			O5	.. Generator	B 3
			Y133	.. Idle air control valve (IAC)	C 5



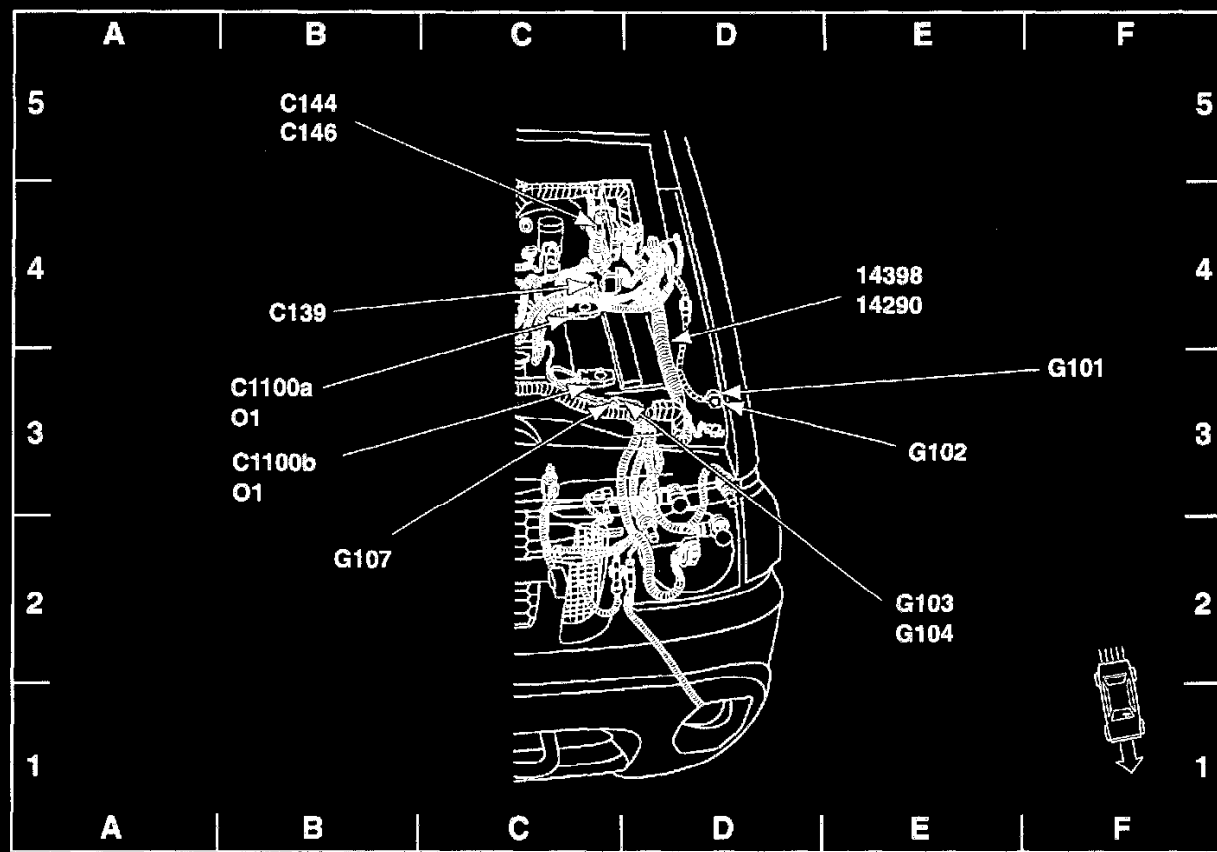
**engine compartment, center**

12B637 .....	A 3	C1072 .....	A 4
14A280 .....	F 3	C1078 .....	E 4
A147 . Powertrain Control Module (PCM) .....	B 5	G100 .....	C 5
B48 . Heated Oxygen Sensor (HO2S) #11 .....	C 5	G108 .....	B 1
C100 .....	F 2	N17 . Oil pressure switch .....	E 2
C103 .....	E 2	N126 . A/C high pressure switch .....	E 3
C171 .....	D 5	T1 . Ignition coil .....	E 5
C174 .....	E 4	U10 . Ignition transformer capacitor 1 .....	E 4
C175 .....	B 5	Y31 . A/C clutch solenoid .....	F 2
C181 .....	A 3	Y108 . Injector 1 .....	A 2
C182 .....	A 4	Y109 . Injector 2 .....	A 4
C183 .....	B 5	Y110 . Injector 3 .....	B 5
C184 .....	B 2	Y111 . Injector 4 .....	B 2
C185 .....	F 4	Y112 . Injector 5 .....	F 4
C186 .....	D 5	Y113 . Injector 6 .....	D 5
C1065 .....	E 5	Y205 . EGR vacuum regulator solenoid .....	A 4



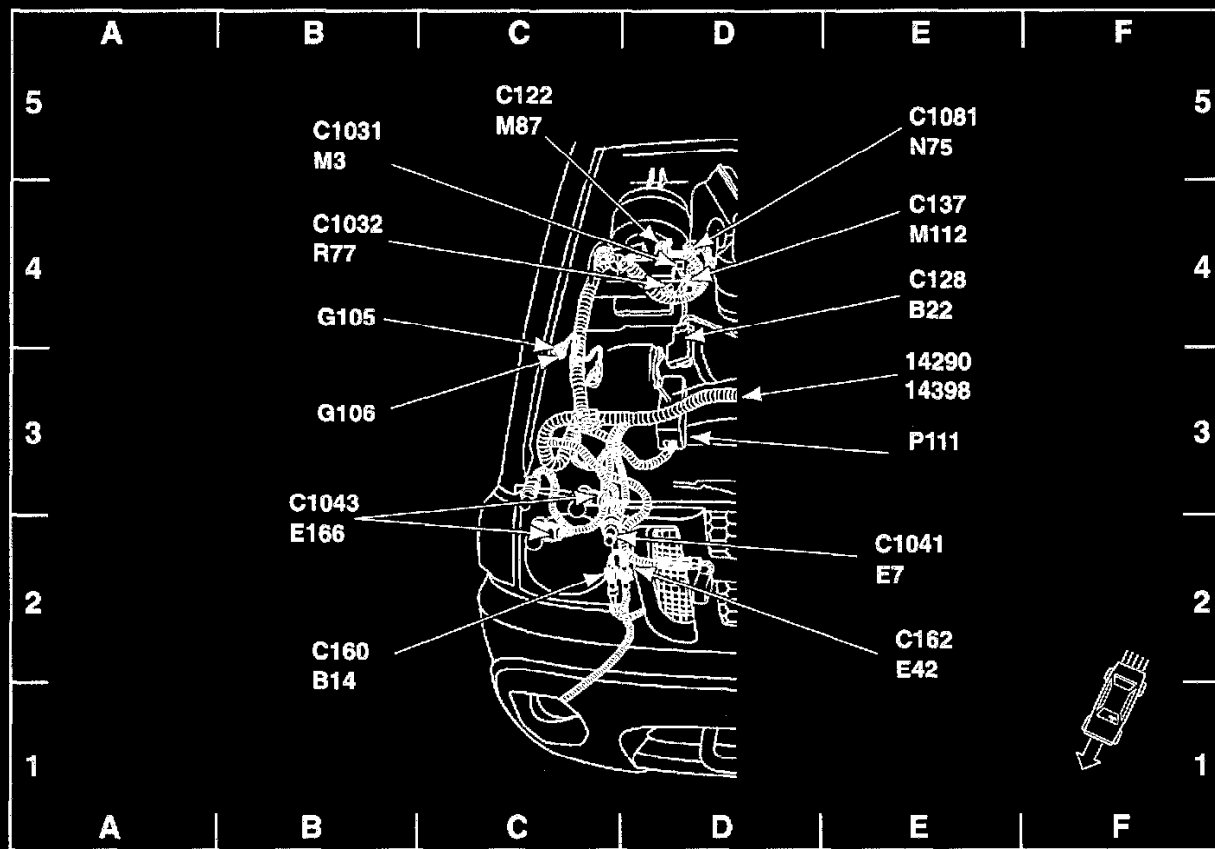
**engine compartment, LH side**

14290 .....	E 3	C1023 .....	E 2
14398 .....	E 4	C1029 .....	B 3
A7 . . . ABS control module .....	E 4	C1030 .....	E 2
A253 . . Daytime Running Lamps (DRL) module .	E 2	C1035 .....	E 5
B15 . . Wheel speed sensor, left front .....	B 1	D16 . . ABS test connector .....	E 4
B203 . . Ambient air temperature sensor .....	B 3	E1 . . Headlamp, left .....	D 1
C124 .....	B 4	E43 . . Fog lamp, left front .....	C 1
C126 .....	E 4	E164 . . Park/turn lamp, left front .....	E 2
C131 .....	B 2	H1 . . Horn .....	B 2
C132 .....	B 3	N1 . . Brake fluid level switch .....	B 4
C135 .....	E 4	P93 . . Battery Junction Box (BJB) .....	D 5
C150 .....	B 2	P93 . . Battery Junction Box (BJB) .....	E 5
C152 .....	C 1	Y134 . . EVAP canister purge valve .....	B 2
C1021 .....	D 1		



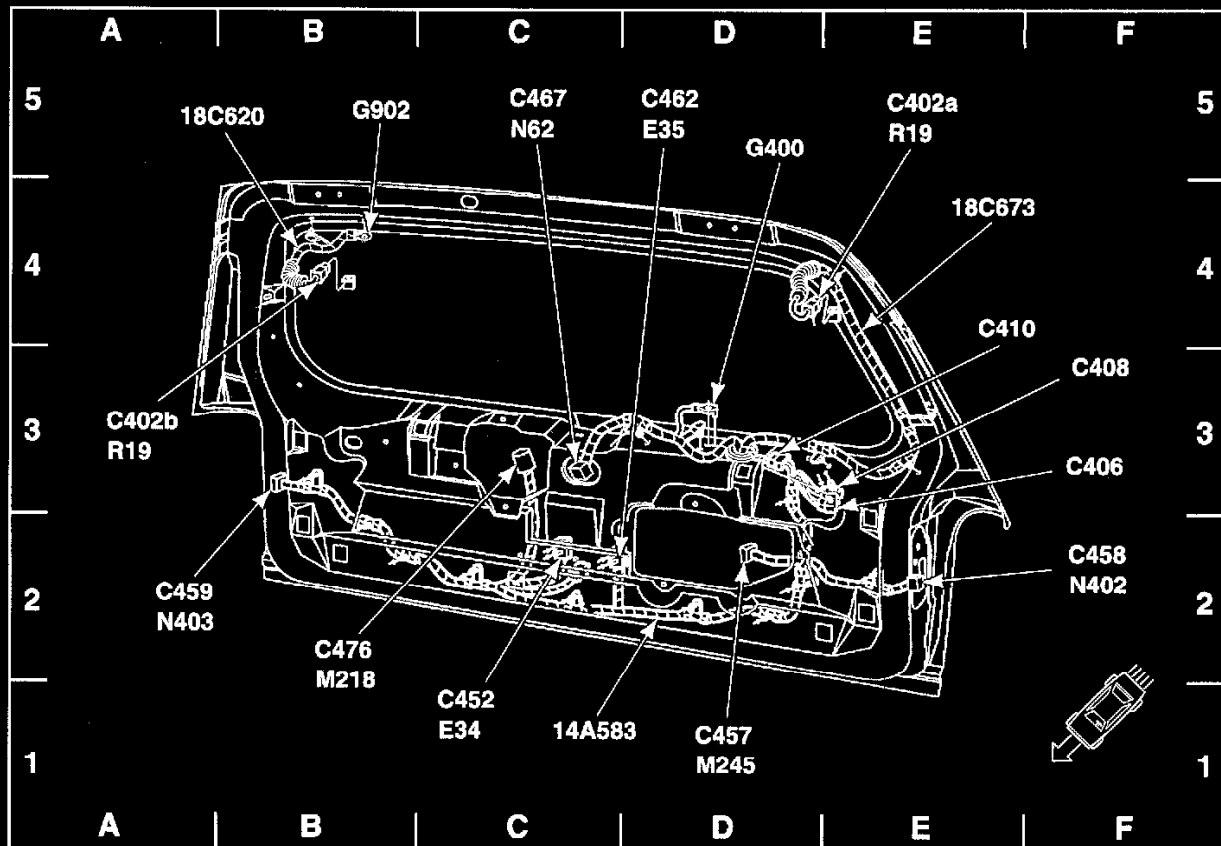
**engine compartment, LH side**

14290 .....	E 4	G101 .....	F 3
14398 .....	E 4	G102 .....	E 3
C139 .....	B 4	G103 .....	E 2
C144 .....	B 5	G104 .....	E 2
C146 .....	B 5	G107 .....	B 2
C1100a .....	B 3	O1 ... Battery .....	B 3
C1100b .....	B 3		



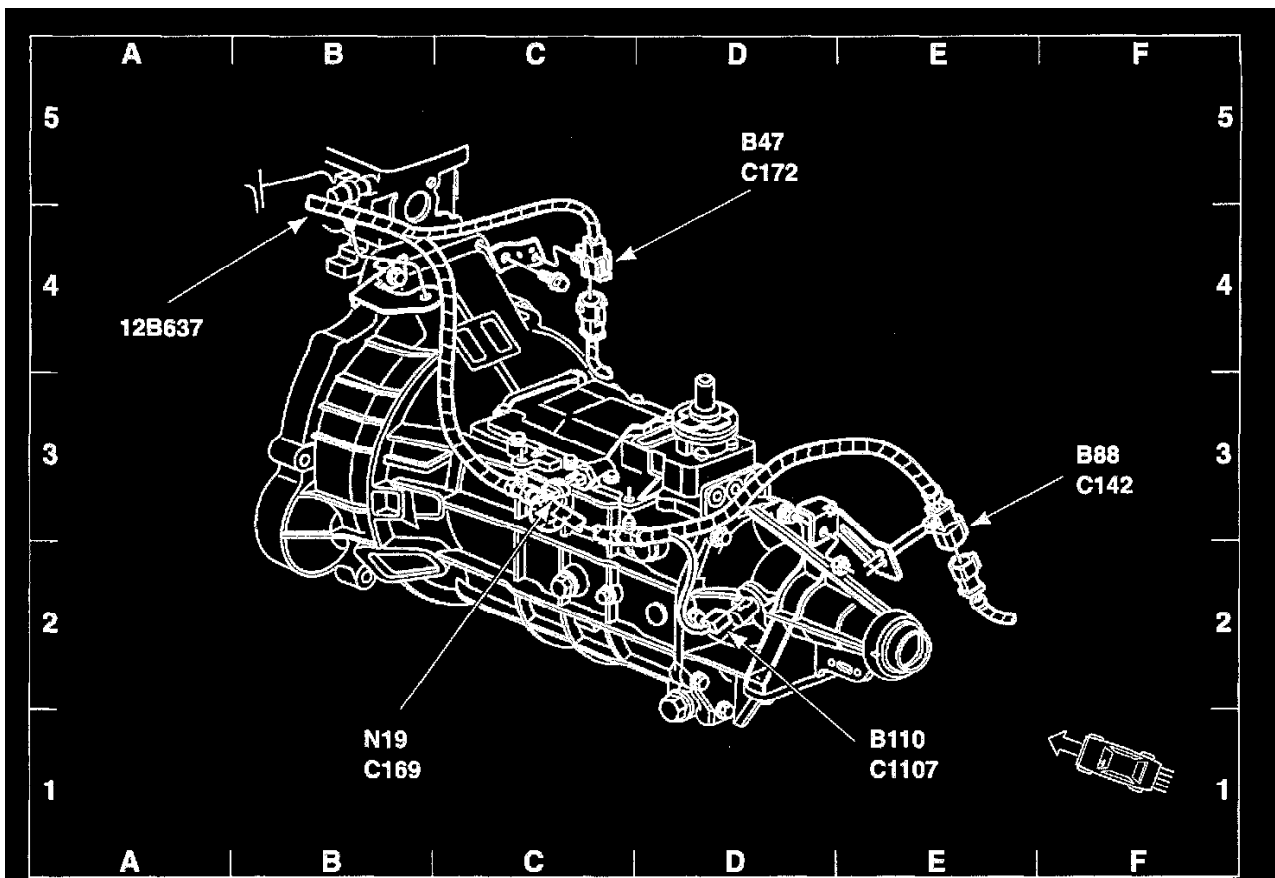
**engine compartment, RH side**

14290 .....	E 3	C1081 .....	E 5
14398 .....	E 3	E7 .. Headlamp, right .....	E 2
B14 .. Wheel speed sensor, right front .....	B 1	E42 .. Fog lamp, right front .....	E 2
B22 .. Mass Air Flow (MAF) sensor .....	E 4	E166 .. Park/turn lamp, right front .....	B 2
C122 .....	C 5	G105 .....	B 4
C128 .....	E 4	G106 .....	B 3
C137 .....	E 4	M3 .. Heater blower motor .....	B 5
C160 .....	B 2	M87 .. Speed control servo .....	C 5
C162 .....	E 2	M112 .. Windshield washer pump motor .....	E 4
C1031 .....	B 5	N75 .. A/C compressor cycling switch .....	E 5
C1032 .....	B 4	P111 .. Auxiliary relay box 1 .....	E 3
C1041 .....	E 2	R77 .. Heater blower motor resistor, front .....	B 4
C1043 .....	B 3		



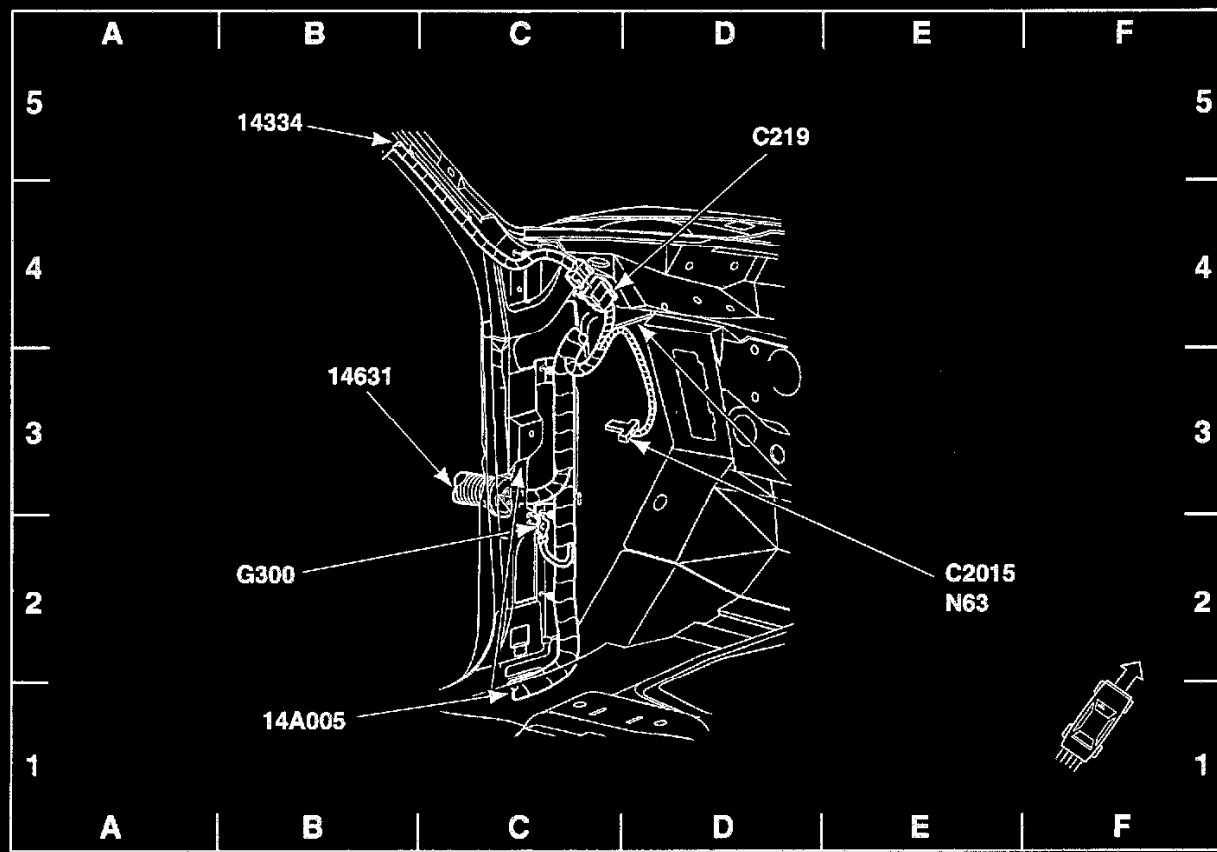
**in liftgate**

14A583 .....	C 1	C467 .....	C 5
18C620 .....	B 5	C476 .....	B 2
18C673 .....	E 4	E34 .. License plate lamp, left .....	C 1
C402a .....	E 5	E35 .. License plate lamp, right .....	D 5
C402b .....	A 3	G400 .....	D 5
C406 .....	F 3	G902 .....	B 5
C408 .....	F 3	M218 Rear wiper motor assembly .....	B 2
C410 .....	E 4	M245 Liftgate lock actuator .....	D 1
C452 .....	C 1	N62 .. Rear window wiper disable switch .....	C 5
C457 .....	D 1	N402 . Liftgate ajar switch, left .....	F 2
C458 .....	F 2	N403 . Liftgate ajar switch, right .....	A 2
C459 .....	A 2	R19 .. Rear window defrost grid .....	E 5
C462 .....	D 5	R19 .. Rear window defrost grid .....	A 3



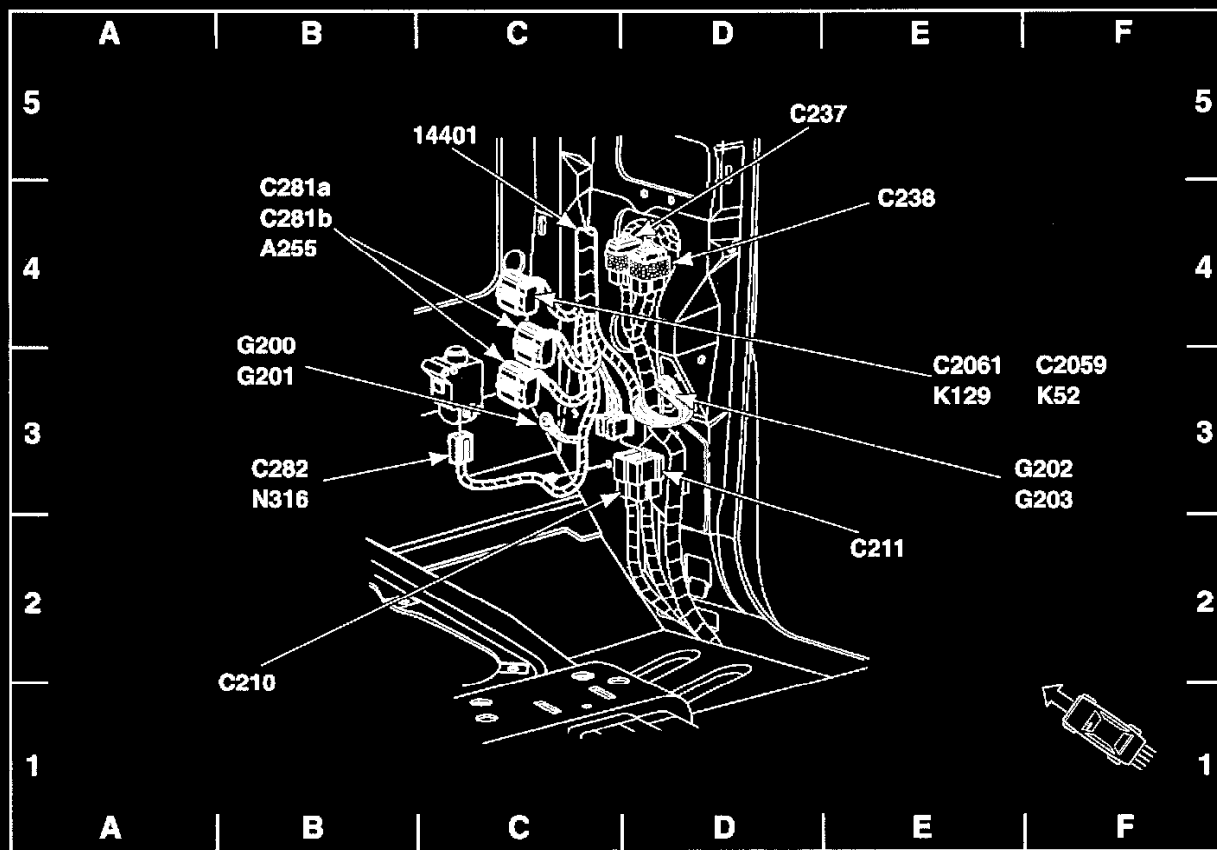
**manual transmission**

12B637 .....	A 4	C169 .....	B 1
B47 .. Heated Oxygen Sensor (HO2S) #21 .....	D 5	C172 .....	D 5
B88 .. Heated Oxygen Sensor (HO2S) #12 .....	F 3	C1107 .....	E 1
B110 . Output shaft speed sensor (OSS) .....	E 1	N19 .. Reversing lamps switch .....	B 1
C142 .....	F 3		



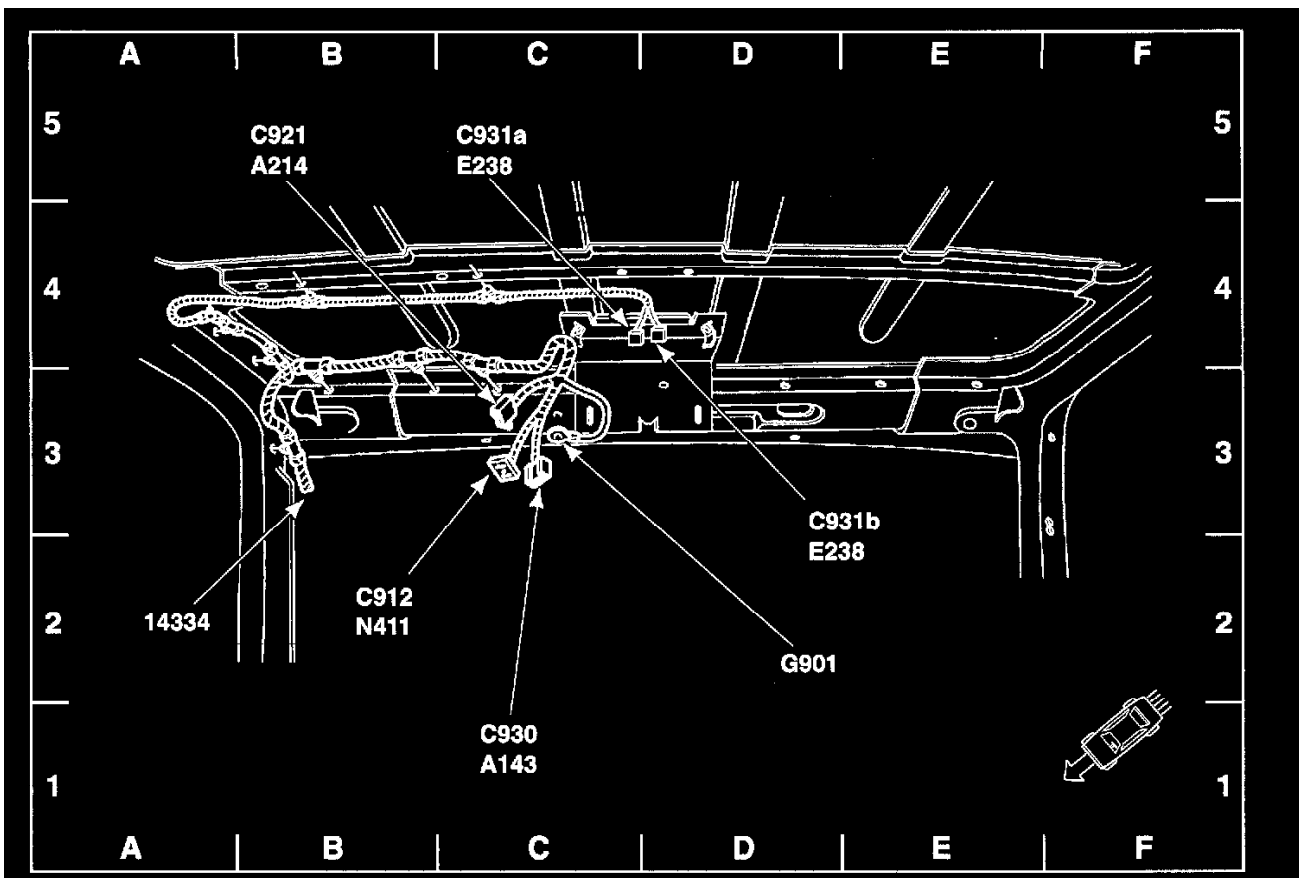
**LH rocker panel**

14A005 .....	B 1	C2015 .....	E 2
14334 .....	B 5	G300 .....	B 2
14631 .....	B 3	N63 .. Park brake switch .....	E 2
C219 .....	D 5		



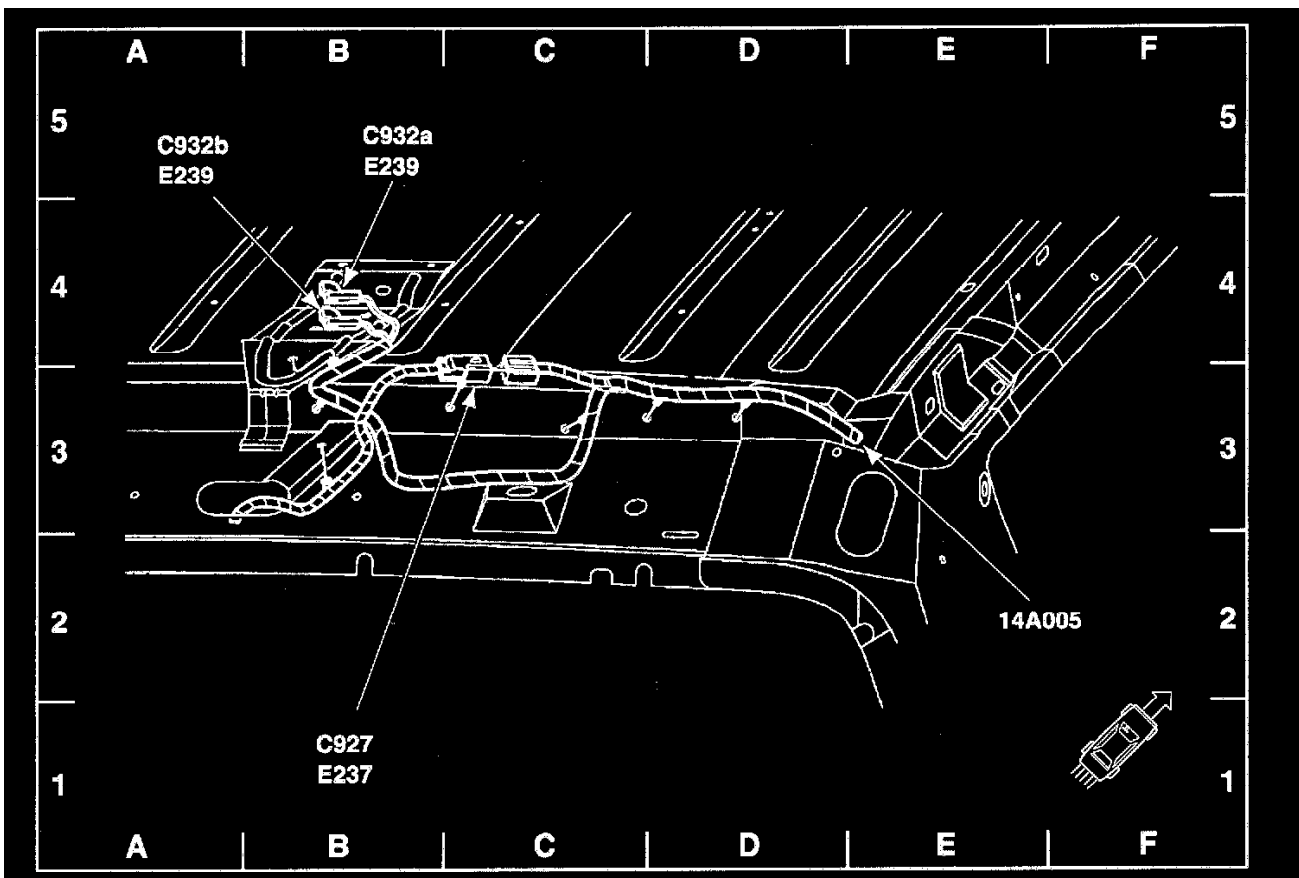
**RH rocker panel**

14401 .....	C 5	C2059 Late production .....	F 3
A255 . Four-wheel drive control module .....	B 4	C2061 Early production .....	E 3
C210 .....	B 1	G200 .....	B 3
C211 .....	E 2	G201 .....	B 3
C237 .....	E 5	G202 .....	F 3
C238 .....	E 4	G203 .....	F 3
C281a .....	B 4	K52 . . Park lamp relay - Late production, Sport	F 3
C281b .....	B 4	K129 . Door unlock relay – Early production . . .	E 3
C282 .....	B 3	N316 . Inertia Fuel Shutoff (IFS) switch .....	B 3



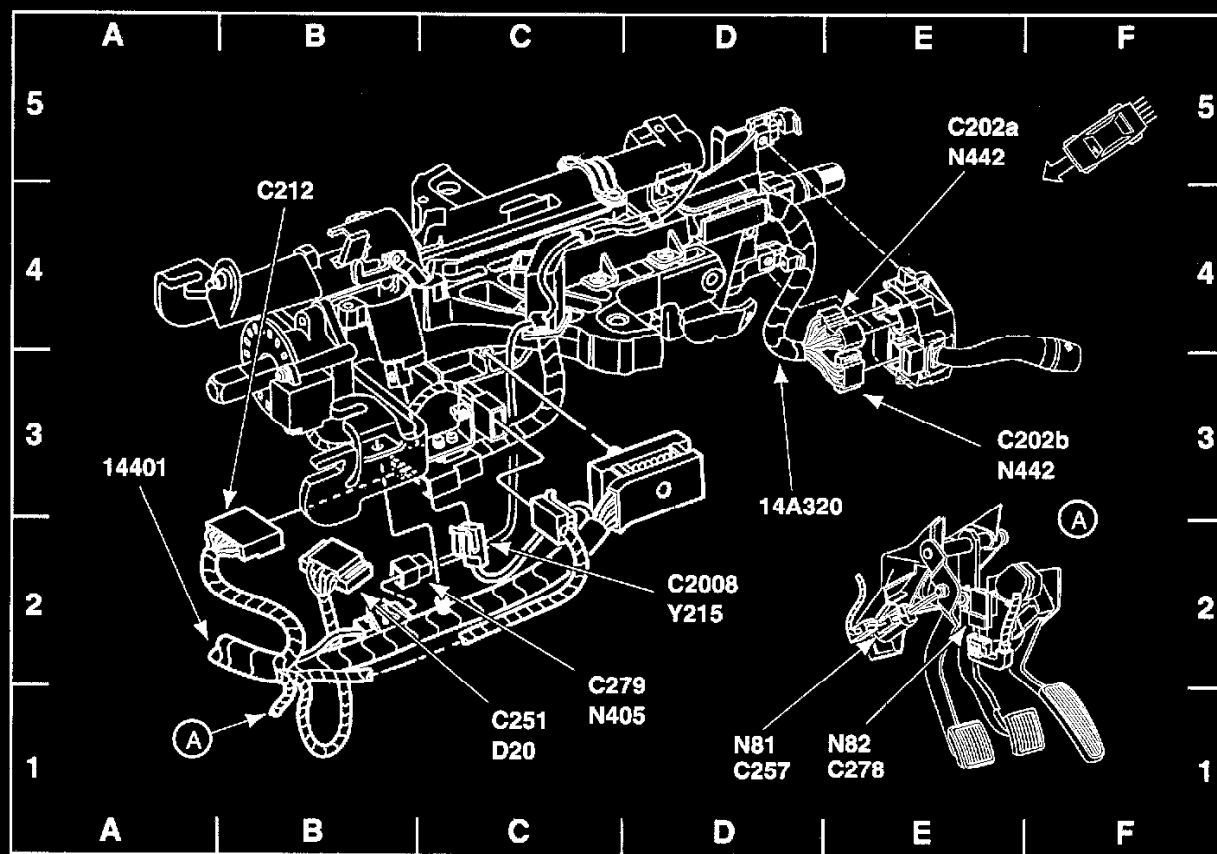
**in roof panel, front**

14334 .....	A 2	C931a .....	C 5
A143 . Overhead console .....	C 1	C931b .....	E 3
A214 . Roof opening panel module .....	B 5	E238 . Interior/map lamps assembly, front ....	C 5
C912 .....	B 2	E238 . Interior/map lamps assembly, front ....	D 2
C921 .....	B 5	G901 .....	D 2
C930 .....	C 1	N411 . Roof opening panel switch .....	B 2



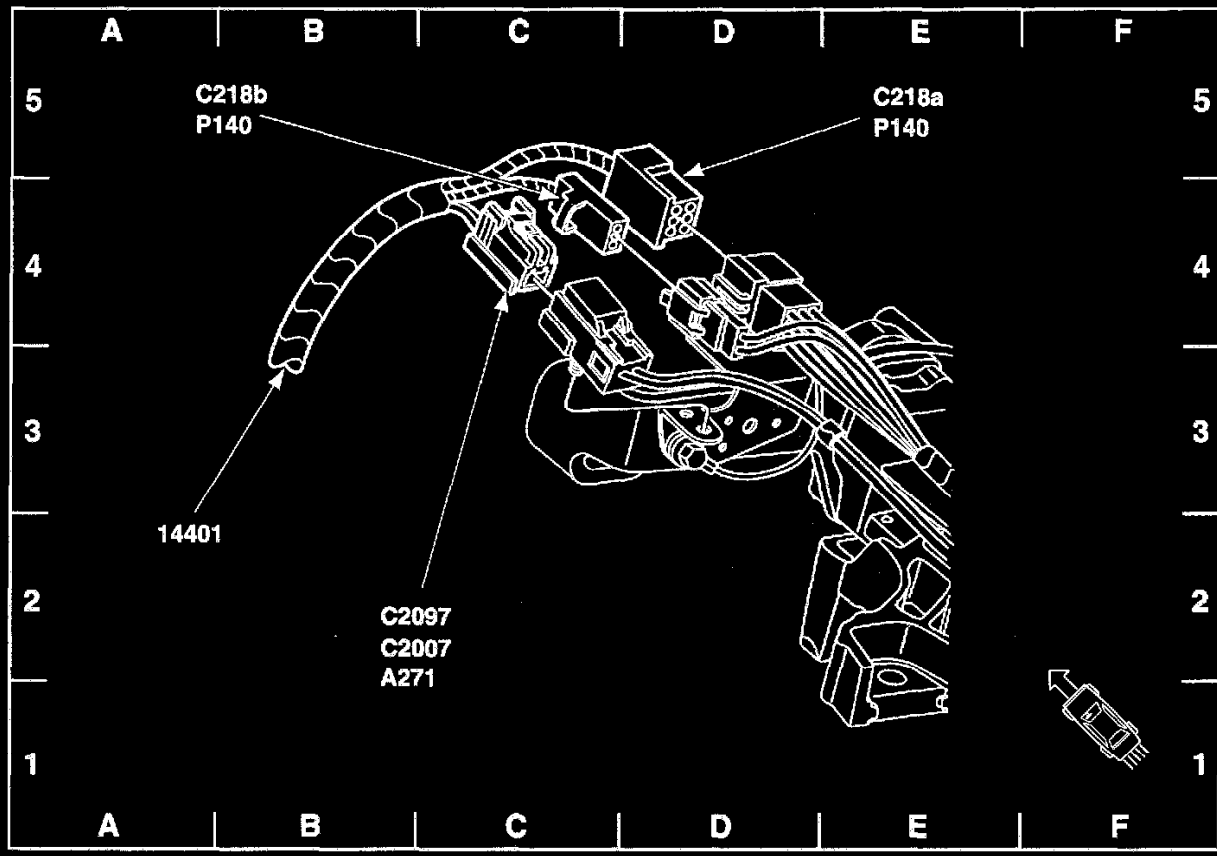
**in roof panel, rear – Sport Trac**

14A005 .....	E 2	E237 . Cargo lamp assembly .....	B 1
C927 .....	B 1	E239 . Interior/map lamps assembly, rear .....	B 5
C932a .....	B 5	E239 . Interior/map lamps assembly, rear .....	A 5
C932b .....	A 5		



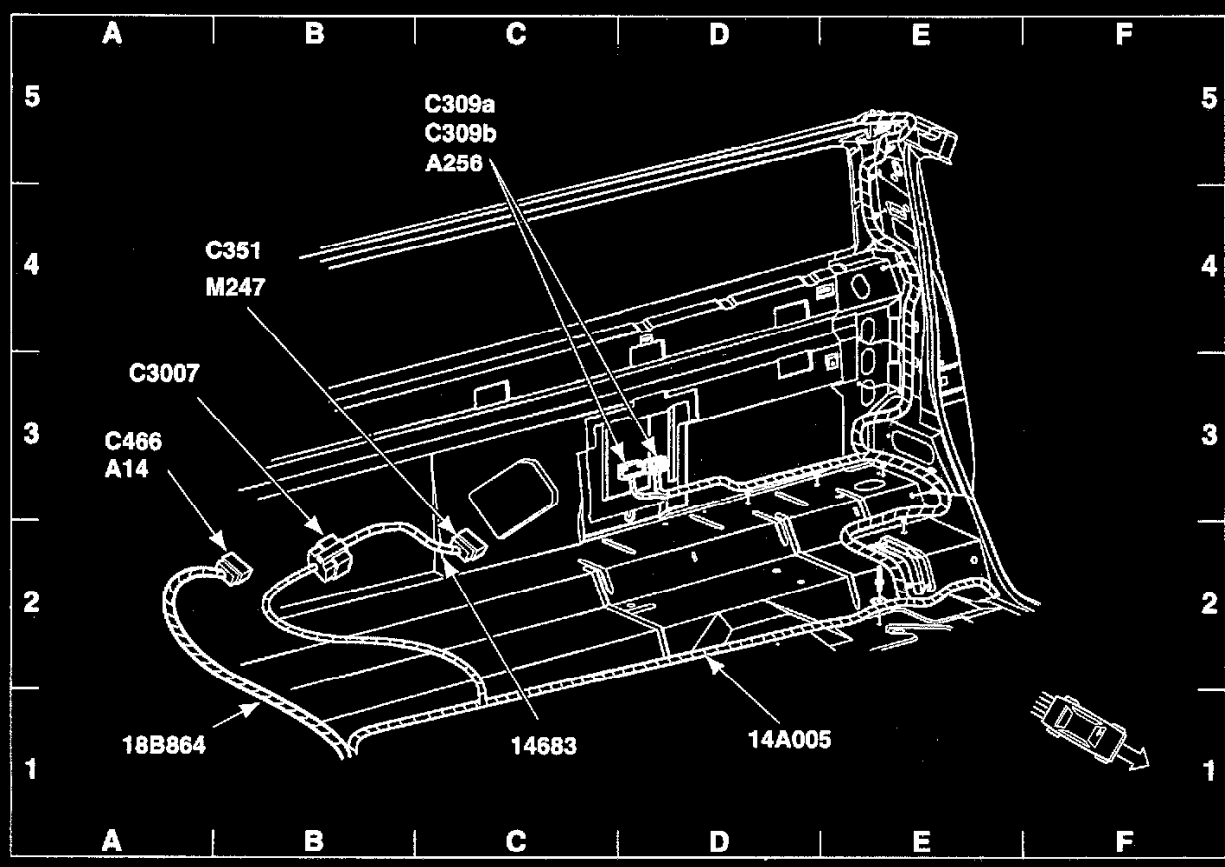
**on steering column**

14A320 .....	D 3	C2008 .....	D 2
14401 .....	A 3	D20 .. Data Link Connector (DLC) .....	C 1
C202a .....	E 5	N81 .. Clutch pedal position switch .....	D 1
C202b .....	F 3	N82 .. Brake pedal position switch .....	E 1
C212 .....	B 4	N405 .. Transmission control switch .....	D 1
C251 .....	C 1	N442 .. Multifunction switch .....	F 3
C257 .....	D 1	N442 .. Multifunction switch .....	E 5
C278 .....	E 1	Y215 .. Brake shift interlock .....	D 2
C279 .....	D 1		



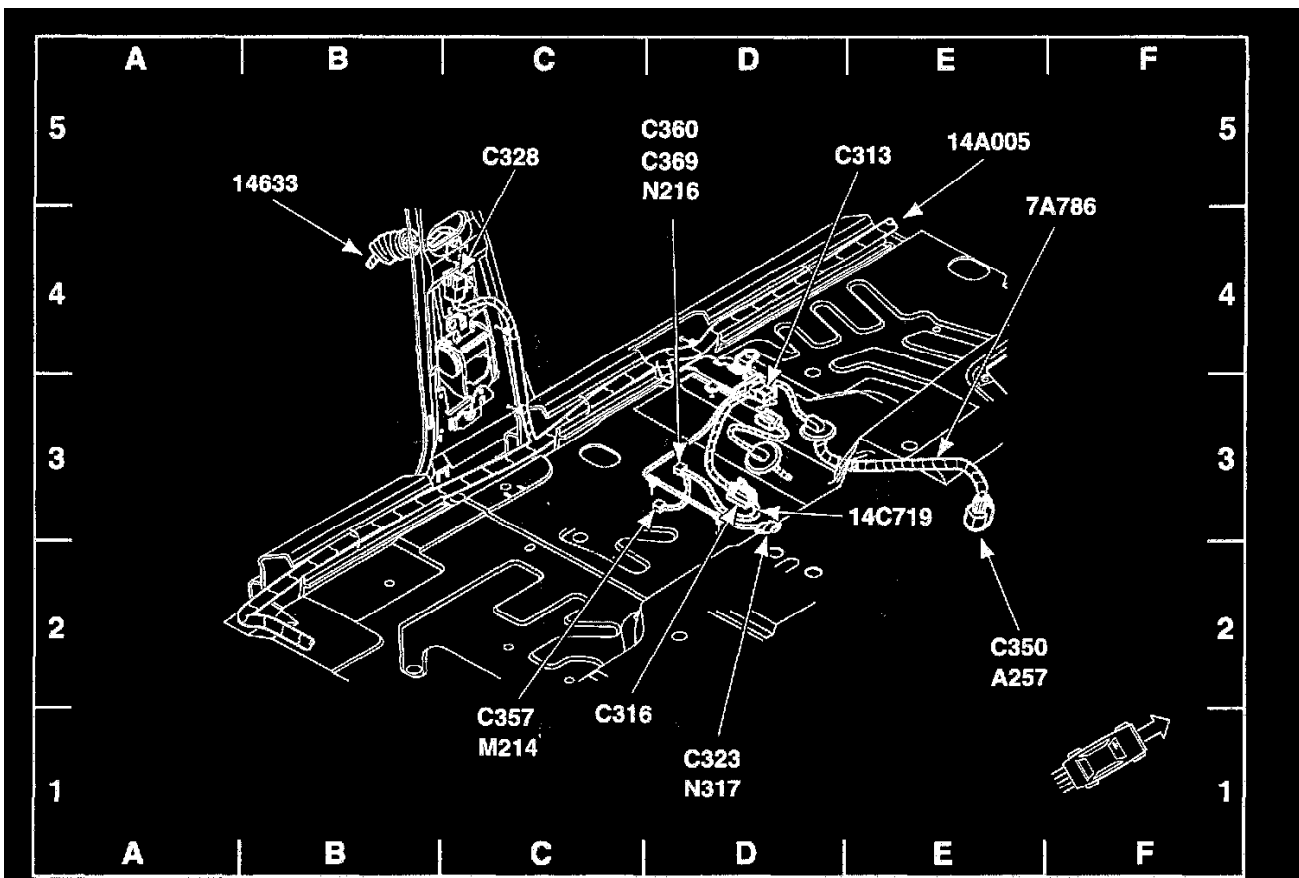
**on steering column, bottom**

14401 .....	A 2	C2007 Early production .....	C 2
A271 . Passive anti-theft transceiver .....	B 2	C2097 Late production .....	C 2
C218a .....	E 5	P140 . Air bag sliding contact .....	E 5
C218b .....	B 5	P140 . Air bag sliding contact .....	B 5



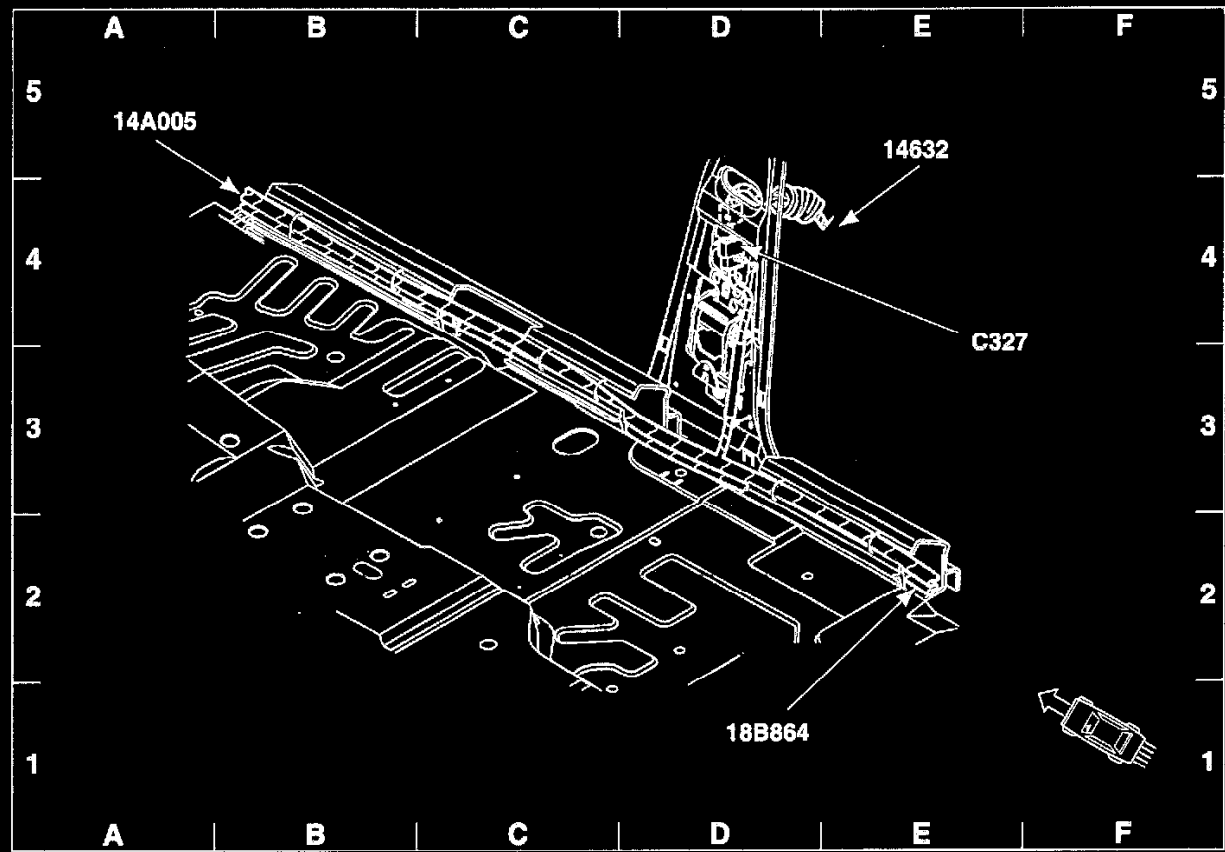
**rear window – Sport Trac**

14683 .....	C 1	C309a Early production .....	C 5
14A005 .....	D 1	C309b Early production .....	C 5
18B864 Late production .....	A 1	C351 .....	B 4
A14 . . Subwoofer amplifier - Late production .	A 3	C466 . Late production .....	A 3
A256 . Remote Anti-theft Personality (RAP)		C3007 .....	A 3
module - Early production .....	C 5	M247 Rear window motor .....	B 4



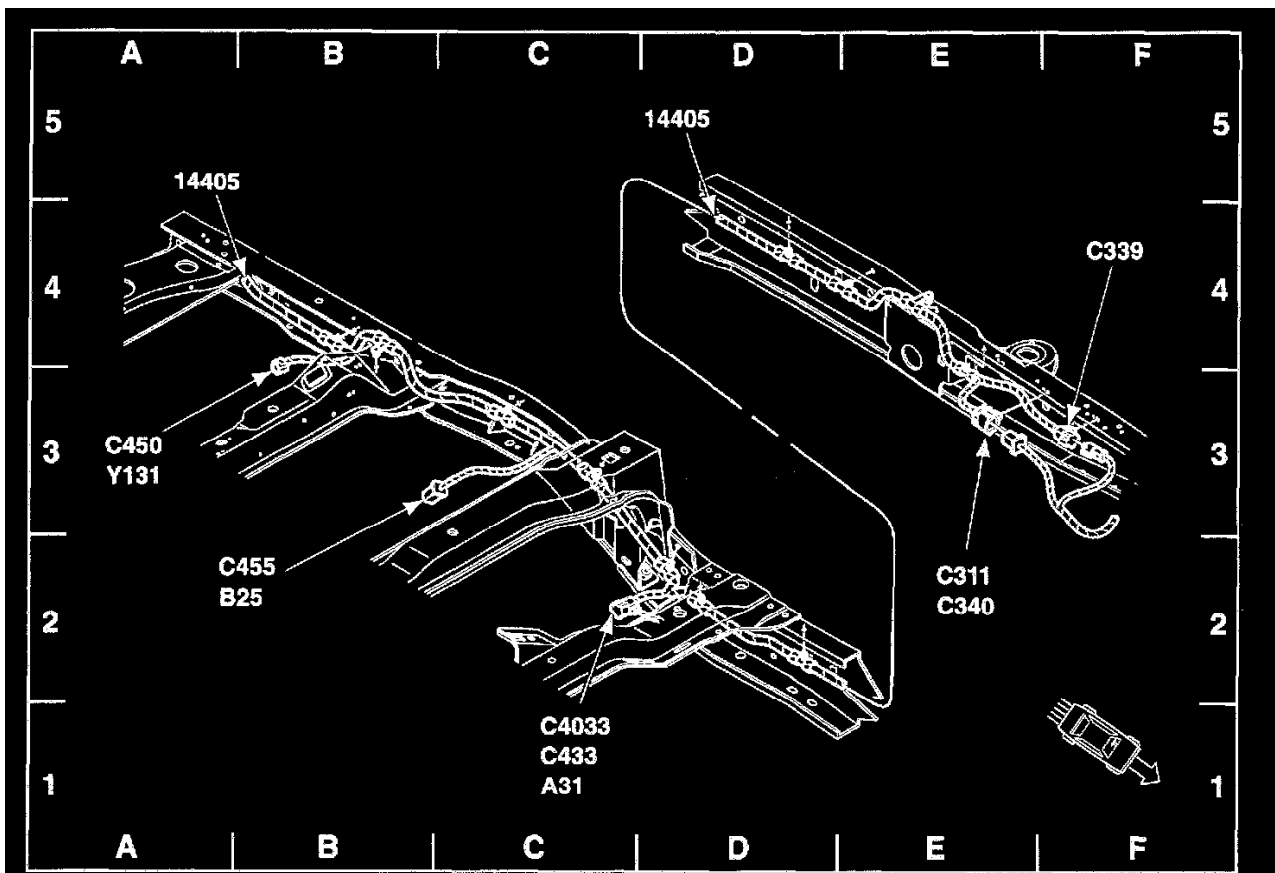
vehicle floor, LH side – Sport Trac

14C719	.....	E 3	C328	.....	C 5
14A005	.....	E 5	C350	.....	E 2
14633	.....	B 5	C357	.....	C 1
7A786	.....	F 4	C360	.....	D 5
A257 . Transfer case assembly	.....	E 2	C369	.....	D 5
C313	.....	E 5	M214	Power seat motor assembly, left	C 1
C316	.....	C 1	N216	Seat adjust switch, driver side front	D 5
C323	.....	D 1	N317	Safety belt buckle switch	D 1



**vehicle floor, RH side – Sport Trac**

14A005 .....	A 5	18B864 - Late production .....	D 1
14632 .....	E 5	C327 .....	E 4



**vehicle underbody, LH side**

14405 .....	D 5	C433 . without flex fuel .....	C 1
14405 .....	A 5	C450 .....	A 3
A31 . Fuel tank unit .....	C 1	C455 .....	B 2
B25 . Rear axle speed sensor .....	B 2	C4033 with flex fuel .....	C 1
C311 .....	E 2	Y131 . Evaporative emission (EVAP) canister	
C339 .....	F 4	vent valve .....	A 3
C340 .....	E 2		

**By Component ID Number**

- A7 ABS control module engine compartment, LH side, rear
- A11 Radio behind dash panel, center
- A14 Subwoofer amplifier vehicle rear end, RH side - Sport, Early production
- A14 Subwoofer amplifier rear window, RH side - Sport Trac, Late production
- A30 Instrument cluster behind instrument cluster
- A31 Fuel tank unit vehicle underbody, on fuel tank
- A42 Driver air bag module in steering wheel
- A43 Passenger air bag module behind dash panel, RH side
- A47 Instrument panel dimming module dash panel, LH side
- A102 Passive anti-theft transceiver module behind dash panel, RH side - Early production
- A112 Generic Electronic Module behind dash panel, center
- A143 Overhead console in roof panel, front
- A147 Powertrain Control Module (PCM) engine compartment, center, rear
- A151 Antenna engine compartment, RH side, rear
- A154 Side air bag module, right vehicle floor, under passenger seat - Sport
- A155 Side air bag module, left vehicle floor, under driver seat - Sport
- A208 Restraints Control Module center console, under dash panel
- A214 Roof opening panel module in roof panel, front
- A244 Key pad switch assembly in driver door, rear, center
- A253 Daytime Running Lamps module engine compartment, LH side, front
- A254 5R55E Transmission transmission, front
- A255 Four-wheel drive control module RH rocker panel

A256	Remote Anti-theft Personality ( <b>RAP</b> ) module rear window, LH side - Sport Trac, Early production
A256	RAP module vehicle rear end, LH side - Sport, Early production
A257	Transfer case assembly vehicle floor, under center console - Sport
A257	Transfer case assembly vehicle floor, under center console - Sport Trac
A262	Central security module behind dash panel, RH side - Late production
A271	Passive anti-theft transceiver in steering wheel
A277	Belt minder module behind dash panel, center - Early production
B8	Throttle Position Sensor engine compartment, center
B10	Engine Coolant Temperature ( <b>ECT</b> ) sensor engine compartment, center
B14	Wheel speed sensor, right front engine compartment, RH side, front
B15	Wheel speed sensor, left front engine compartment, LH side, front
B22	Mass Air Flow sensor engine compartment, RH side, center
B25	Rear axle speed sensor vehicle underbody, center, rear
B41	Camshaft position sensor engine compartment, center
B43	Crankshaft position sensor engine compartment, center, front
B45	Knock sensor engine compartment, center, bottom, rear
B47	Heated Oxygen Sensor ( <b>H02S</b> ) #21 transmission, front - automatic transmission
B47	H02S #21 transmission, front - manual transmission
B48	H02S #11 engine compartment, center, rear
B88	H02S #12 transmission, front - automatic transmission
B88	H02S #12 transmission, front - manual transmission
B110	Output shaft speed sensor ( <b>OSS</b> ) transmission, rear - automatic transmission
B110	OSS transmission, front, rear - manual transmission
B118	Side air bag sensor, right vehicle floor, under passenger seat - Sport
B119	Side air bag sensor, left LH B-pillar, bottom - Sport
B203	Ambient air temperature sensor engine compartment, RH side, front
B227	ECT sender engine compartment, center
B234	Digital Transmission Range sensor transmission, center
B235	Intermediate Shaft Speed sensor transmission, center - Late production
B257	Differential Pressure Feedback EGR sensor engine compartment, center
D16	ABS test connector engine compartment, LH side, center
D20	Data Link Connector under dash panel, driver side
E1	Headlamp, left engine compartment, LH side, front
E7	Headlamp, right engine compartment, RH side, front
E28	Glove box lamp behind dash panel, RH side
E34	License plate lamp, right rear bumper, RH side - Sport Trac
E34	License plate lamp, left in liftgate, center - Sport
E35	License plate lamp, left rear bumper, LH side - Sport Trac
E35	License plate lamp, right in liftgate, center - Sport
E39	Ashtray illumination lamp under dash panel, center
E42	Fog lamp, right front engine compartment, RH side, front
E43	Fog lamp, left front engine compartment, LH side, front
E105	Reversing lamp, left vehicle rear end, LH side
E109	Reversing lamp, right vehicle rear end, RH side
E164	Park/turn lamp, left front engine compartment, LH side, front
E166	Park/turn lamp, right front engine compartment, RH side, front
E174	High mounted stoplamp in roof panel, rear, center - Sport
E201	Trailer tow connector rear bumper, center
E222	Park/turn lamp, left rear vehicle rear end, LH side
E223	Park/turn lamp, right rear vehicle rear end, RH side
E237	Cargo lamp assembly in roof panel, rear - Sport Trac
E238	Interior/map lamps assembly, front in roof panel, front
E239	Interior/map lamps assembly, rear in roof panel, rear
E239	Interior/map lamps assembly, rear in roof panel, rear, center
F1.1	in Battery Junction Box ( <b>BJB</b> )
F1.3	in BJB - Sport Trac
F1.6	in BJB
F1.7	in BJB
F1.11	in BJB
F1.12	in BJB
F1.13	in BJB
F1.16	in BJB
F1.17	in BJB - Sport
F1.21	in BJB
F1.22	in BJB

F1.23	in BJB
F1.24	in BJB
F1.25	in BJB
F1.27	in BJB - Sport Trac
F1.28	in BJB
F1.29	in BJB
F1.31	in BJB - Sport Trac
F1.31	in BJB - Sport, Late production.
F1.33	in BJB
F1.34	in BJB - Sport
F1.38	in BJB
F1.41	in BJB
F1.42	in BJB
F2.1	in Central Junction Box (CJB)
F2.2	in CJB
F2.3	in CJB
F2.4	in CJB - Late production
F2.5	in CJB
F2.6	in CJB
F2.7	in CJB
F2.9	in CJB
F2.10	in CJB
F2.11	in CJB
F2.12	in CJB
F2.13	in CJB
F2.14	in CJB
F2.15	in CJB
F2.16	in CJB
F2.17	in CJB
F2.18	in CJB
F2.19	in CJB
F2.20	in CJB
F2.21	in CJB
F2.22	in CJB
F2.24	in CJB
F2.25	in CJB
F2.26	in CJB
F2.27	in CJB
F2.28	in CJB
F2.29	in CJB
F2.30	in CJB
F2.31	in CJB
F2.32	in CJB
F2.33	in CJB
F2.34	in CJB
F2.35	in CJB
F2.36	in CJB
H1	Horn engine compartment, RH side, front
K1	Rear window defrost relay behind dash panel, center - Sport
K2	Indicator flasher relay Auxiliary relay box 2
K4	Fuel pump relay in BJB
K22	Starter relay in BJB
K26	Fog lamp relay in BJB
K33	Horn relay in BJB
K50	One-touch window relay Auxiliary relay box 2
K52	Park lamp relay in BJB - Sport Trac
K52	Park lamp relay Auxiliary relay box 3 - Sport, Early production
K52	Park lamp relay behind dash panel, RH side - Sport, Late production
K73	Blower motor relay in BJB
K107	A/C clutch relay in BJB
K115	Battery saver relay Auxiliary relay box 2
K129	Door unlock relay RH rocker panel - Sport Trac, Early production
K129	Door unlock relay Auxiliary relay box 3 - Sport, Early production
K130	Door lock relay behind dash panel, center - Sport Trac, Early production
K130	Door lock relay Auxiliary relay box 3 - Sport, Early production

K131	Driver door unlock relay Auxiliary relay box 2- Sport Trac, Early production
K131	Driver door unlock relay Auxiliary relay box 3 - Sport, Early production
K137	Rear window wiper lower relay in BJB - Sport
K138	Rear window wiper raise relay in BJB - Sport
K140	Wiper run/park relay in BJB
K163	PCM power relay in BJB
K185	Washer pump relay, rear in BJB - Sport
K305	High speed fan control relay Auxiliary relay box 1
K316	Wiper high/low relay in BJB
K317	Windshield washer relay in BJB
K333	Interior lamps relay Auxiliary relay box 2
K335	Trailer tow relay Auxiliary relay box 2
K336	Window safety relay in BJB - Sport Trac
K336	Window safety relay Auxiliary relay box 2 - Sport
K337	Fog lamp isolation relay in BJB
M3	Heater blower motor engine compartment, RH side, rear
M8	Starter motor engine compartment, center, front
M64	Door lock actuator, left rear in LH rear door, rear, bottom - Sport Trac
M65	Door lock actuator, right rear in RH rear door, rear, bottom - Sport Trac
M79	Power window motor, passenger side front in passenger door, center, bottom
M80	Power window motor, driver side front in driver door, bottom, center
M87	Speed control servo engine compartment, RH side, rear
M111	Windshield wiper motor engine compartment, center, rear
M112	Windshield washer pump motor engine compartment, RH side, rear
M116	Power window motor, left rear in LH rear door, center - Sport Trac
M117	Power window motor, right rear in RH rear door, center - Sport Trac
M130	Rear blower motor center console, rear
M214	Power seat motor assembly, left vehicle floor, under driver seat
M218	Rear wiper motor assembly in liftgate, center - Sport
M220	Exterior rear view mirror, driver side in driver door, front, top
M221	Exterior rear view mirror, passenger side in passenger door, front, top
M225	Door lock actuator, driver side in driver door, rear, bottom
M226	Door lock actuator, passenger side in passenger door, rear, bottom
M245	Liftgate lock actuator in liftgate, LH side - Sport
M247	Rear window motor rear window, center - Sport Trac
M256	Temperature blend door actuator behind dash panel, RH side
N1	Brake fluid level switch engine compartment, LH side, rear
N10	Rear window defrost switch behind dash panel, center
N17	Oil pressure switch engine compartment, center, front
N19	Reversing lamps switch transmission, center - manual transmission
N52	Rear window wiper/washer switch behind dash panel, center - Sport
N54	Horn switch in steering wheel - without speed control
N62	Rear window wiper disable switch in liftgate, center - Sport
N63	Park brake switch LH rocker panel
N75	A/C compressor cycling switch engine compartment, RH side, rear
N78	Steering wheel/speed control switch in steering wheel - with speed control
N81	Clutch pedal position switch under dash panel, on clutch pedal support
N82	Brake pedal position switch under dash panel, on brake pedal support
N105	Window adjust switch, passenger side in passenger door, center, top
N110	Window adjust switch, right rear in RH rear door, front, top - Sport Trac
N111	Window adjust switch, left rear in LH rear door, front, top - Sport Trac
N113	Main light switch dash panel, LH side
N114	Fog lamp switch behind dash panel, center
N126	A/C high pressure switch engine compartment, center
N141	Four-wheel drive switch behind dash panel, center
N204	Door lock switch, driver side in driver door, front, center
N205	Door lock switch, passenger side in passenger door, center, top
N216	Seat adjust switch, driver side front vehicle floor, under driver seat
N237	Door ajar switch, driver side rear in LH rear door, rear, top - Sport Trac
N238	Door ajar switch, passenger side rear in RH rear door, rear, top - Sport Trac
N239	Door ajar switch, driver side front in driver door, rear, top
N240	Door ajar switch, passenger side front in passenger door, rear, top
N251	Power point under dash panel, center
N255	Liftgate door lock switch vehicle rear end, LH side - Sport
N278	Ignition switch instrument cluster, on steering column

N316	Inertia Fuel Shutoff switch RH rocker panel
N317	Safety belt buckle switch vehicle floor, under driver seat
N402	Liftgate ajar switch, left in liftgate, LH side - Sport .
403	Liftgate ajar switch, right in liftgate, RH side - Sport
N405	Transmission control switch near steering column, LH side
N409	Exterior rear view mirror switch in driver door, front, top
N411	Roof opening panel switch in roof panel, front
N423	Deactivator switch engine compartment, LH side, center
N442	Multifunction switch instrument cluster, near steering column
N447	Master window adjust switch in driver door, front, center
N465	Rear window adjust switch behind dash panel, center - Sport Trac
O1	Battery engine compartment, LH side, center
O5	Generator engine compartment, center, front
O21	Power point vehicle rear end, LH side - Sport Trac
O26	Fusible link A engine compartment, LH side, center
O27	Fusible link B engine compartment, LH side, center
O28	Fusible link C engine compartment, LH side, center
O40	Power point center console, front
P82	Function selector switch assembly, front behind dash panel, near air conditioning/heating control unit
P83	Function selector switch assembly, rear center console, rear
P87	Rear Integrated Control Panel center console, rear
P91	CJB under dash panel, LH side
P93	BJB engine compartment, LH side, rear
P111	Auxiliary relay box 1 engine compartment, RH side, front
P112	Auxiliary relay box 2 behind instrument cluster
P113	Auxiliary relay box 3 vehicle rear end, LH side - Sport, Early production
P136	Spark plugs engine compartment, center, rear
P140	Air bag sliding contact in steering wheel
R19	Rear window defrost grid in liftgate, rear, top - Sport
R19	Rear window defrost grid in liftgate, LH side, top - Sport
R42	Cigar lighter, front under dash panel, center
R70	Resistor A vehicle floor, under driver seat - Sport
R71	Resistor B vehicle floor, under passenger seat - Sport
R77	Heater blower motor resistor, front engine compartment, RH side, rear
R78	Heater blower motor resistor, rear center console, rear
T1	Ignition coil engine compartment, center, rear
U10	Ignition transformer capacitor 1 engine compartment, center, rear
V7	A/C Compressor clutch diode engine compartment, center, front
V34	PCM Module power diode in BJB
Y17	Speaker, left rear in LH rear door, front, bottom - Sport Trac
Y17	Speaker, left rear vehicle rear end, LH side - Sport
Y18	Speaker, right front in passenger door, front, center
Y19	Speaker, right rear in RH rear door, front, bottom - Sport Trac
Y19	Speaker, right rear vehicle rear end, RH side - Sport
Y28	Speaker, left front in driver door, front, center
Y31	A/C clutch solenoid engine compartment, center, front
Y108	Injector 1 engine, RH side, front
Y109	Injector 2 engine, RH side, center
Y110	Injector 3 engine, RH side, rear
Y111	Injector 4 engine, LH side, front
Y112	Injector 5 engine, LH side, center
Y113	Injector 6 engine, LH side, rear
Y131	Evaporative emission canister vent valve vehicle underbody, LH side, rear
Y133	Idle air control valve engine compartment, center
Y134	EVAP canister purge valve engine compartment, LH side, front
Y205	EGR vacuum regulator solenoid engine compartment, center, rear
Y215	Brake shift interlock near steering column, LH side

## By Component Name

5R55E Transmission transmission, front
A/C Compressor clutch diode engine compartment, center, front
A/C clutch relay in Battery Junction Box (BJB)
A/C clutch solenoid engine compartment, center, front
A/C compressor cycling switch engine compartment, RH side, rear
A/C high pressure switch engine compartment, center
ABS control module engine compartment, LH side, rear

ABS test connector engine compartment, LH side, center  
Air bag sliding contact in steering wheel  
Ambient air temperature sensor engine compartment, RH side, front  
Antenna engine compartment, RH side, rear  
Ashtray illumination lamp under dash panel, center  
Auxiliary relay box 1 engine compartment, RH side, front  
Auxiliary relay box 2 behind instrument cluster  
Auxiliary relay box 3 vehicle rear end, LH side - Sport, Early production  
BJB engine compartment, LH side, rear  
Battery engine compartment, LH side, center  
Battery saver relay Auxiliary relay box 2  
Belt minder module behind dash panel, center - Early production  
Blower motor relay in BJB  
Brake fluid level switch engine compartment, LH side, rear  
Brake pedal position switch under dash panel, on brake pedal support  
Brake shift interlock near steering column, LH side  
Camshaft position sensor engine compartment, center  
Cargo lamp assembly in roof panel, rear - Sport Trac  
Central Junction Box (CJB) under dash panel, LH side  
Central security module behind dash panel, RH side - Late production  
Cigar lighter, front under dash panel, center  
Clutch pedal position switch under dash panel, on clutch pedal support  
Crankshaft position sensor engine compartment, center, front  
Data Link Connector under dash panel, driver side  
Daytime Running Lamps module engine compartment, LH side, front  
Deactivator switch engine compartment, LH side, center  
Differential Pressure Feedback EGR sensor engine compartment, center  
Digital Transmission Range sensor transmission, center  
Door ajar switch, driver side front in driver door, rear, top  
Door ajar switch, driver side rear in LH rear door, rear, top - Sport Trac  
Door ajar switch, passenger side front in passenger door, rear, top  
Door ajar switch, passenger side rear in RH rear door, rear, top  
Door lock actuator, driver side in driver door, rear, bottom  
Door lock actuator, left rear in LH rear door, rear, bottom - Sport Trac  
Door lock actuator, passenger side in passenger door, rear, bottom  
Door lock actuator, right rear in RH rear door, rear, bottom - Sport Trac  
Door lock relay Auxiliary relay box 3 - Sport, Early production  
Door lock relay behind dash panel, center - Sport Trac, Early production  
Door lock switch, driver side in driver door, front, center  
Door lock switch, passenger side in passenger door, center, top  
Door unlock relay Auxiliary relay box 3 - Sport, Early production  
Door unlock relay RH rocker panel - Sport Trac, Early production  
Driver air bag module in steering wheel  
Driver door unlock relay Auxiliary relay box 2- Sport Trac, Early production  
Driver door unlock relay Auxiliary relay box 3 - Sport, Early production  
EGR vacuum regulator solenoid engine compartment, center, rear  
EVAP canister purge valve engine compartment, LH side, front  
Engine Coolant Temperature (ECT) sender engine compartment, center  
ECT sensor engine compartment, center  
Evaporative emission canister vent valve vehicle underbody, LH side, rear  
Exterior rear view mirror switch in driver door, front, top  
Exterior rear view mirror, driver side in driver door, front, top  
Exterior rear view mirror, passenger side in passenger door, front, top  
Fog lamp isolation relay in BJB  
Fog lamp relay in BJB  
Fog lamp switch behind dash panel, center  
Fog lamp, left front engine compartment, LH side, front  
Fog lamp, right front engine compartment, RH side, front  
Four-wheel drive control module RH rocker panel  
Four-wheel drive switch behind dash panel, center  
Fuel pump relay in BJB  
Fuel tank unit vehicle underbody, on fuel tank  
Function selector switch assembly, front behind dash panel, near air conditioning/heating control unit  
Function selector switch assembly, rear center console, rear  
Fusible link A engine compartment, LH side, center  
Fusible link B engine compartment, LH side, center

Fusible link C engine compartment, LH side, center  
Generator engine compartment, center, front  
Generic Electronic Module behind dash panel, center  
Glove box lamp behind dash panel, RH side  
Headlamp, left engine compartment, LH side, front  
Headlamp, right engine compartment, RH side, front  
Heated Oxygen Sensor (**H02S**) #11 engine compartment, center, rear  
H02S #12 transmission, front - automatic transmission  
H02S #21 transmission, front - automatic transmission  
H02S #21 transmission, front - manual transmission  
H02S #12 transmission, front - manual transmission  
Heater blower motor engine compartment, RH side, rear  
Heater blower motor resistor, front engine compartment, RH side, rear  
Heater blower motor resistor, rear center console, rear  
High mounted stoplamp in roof panel, rear, center - Sport  
High speed fan control relay Auxiliary relay box 1  
Horn engine compartment, RH side, front  
Horn relay in BJB  
Horn switch in steering wheel - without speed control  
Idle air control valve engine compartment, center  
Ignition coil engine compartment, center, rear  
Ignition switch instrument cluster, on steering column  
Ignition transformer capacitor 1 engine compartment, center, rear  
Indicator flasher relay Auxiliary relay box 2  
Inertia Fuel Shutoff switch RH rocker panel  
Injector 1 engine, RH side, front  
Injector 2 engine, RH side, center  
Injector 3 engine, RH side, rear  
Injector 4 engine, LH side, front  
Injector 5 engine, LH side, center  
Injector 6 engine, LH side, rear  
Instrument cluster behind instrument cluster  
Instrument panel dimming module dash panel, LH side  
Interior lamps relay Auxiliary relay box 2  
Interior/map lamps assembly, front in roof panel, front  
Interior/map lamps assembly, rear in roof panel, rear - Sport Trac  
Interior/map lamps assembly, rear in roof panel, rear, center - Sport  
Intermediate Shaft Speed sensor transmission, center - Late production  
Key pad switch assembly in driver door, rear, center  
Knock sensor engine compartment, center, bottom, rear  
License plate lamp, left in liftgate, center - Sport  
License plate lamp, left rear bumper, LH side - Sport Trac  
License plate lamp, right in liftgate, center - Sport  
License plate lamp, right rear bumper, RH side - Sport Trac  
Liftgate ajar switch, left in liftgate, LH side - Sport  
Liftgate ajar switch, right in liftgate, RH side - Sport  
Liftgate door lock switch vehicle rear end, LH side - Sport  
Liftgate lock actuator in liftgate, LH side - Sport  
Main light switch dash panel, LH side  
Mass Air Flow sensor engine compartment, RH side, center  
Master window adjust switch in driver door, front, center  
Multifunction switch instrument cluster, near steering column  
Oil pressure switch engine compartment, center, front  
One-touch window relay Auxiliary relay box 2  
Output shaft speed sensor (**OSS**) transmission, front, rear - manual transmission  
OSS transmission, rear - automatic transmission  
Overhead console in roof panel, front  
PCM Module power diode in BJB  
PCM power relay in BJB  
Park brake switch LH rocker panel  
Park lamp relay Auxiliary relay box 3 - Sport, Early production  
Park lamp relay behind dash panel, RH side - Sport, Late production  
Park lamp relay in BJB - Sport Trac  
Park/turn lamp, left front engine compartment, LH side, front  
Park/turn lamp, left rear vehicle rear end, LH side  
Park/turn lamp, right front engine compartment, RH side, front

Park/turn lamp, right rear vehicle rear end, RH side  
Passenger air bag module behind dash panel, RH side  
Passive anti-theft transceiver in steering wheel  
Passive anti-theft transceiver module behind dash panel, RH side - Early production  
Power point center console, front  
Power point under dash panel, center  
Power point vehicle rear end, LH side - Sport Trac  
Power seat motor assembly, left vehicle floor, under driver seat  
Power window motor, driver side front in driver door, bottom, center  
Power window motor, left rear in LH rear door, center - Sport Trac  
Power window motor, passenger side front in passenger door, center, bottom  
Power window motor, right rear in RH rear door, center - Sport Trac  
Powertrain Control Module (PCM) engine compartment, center, rear  
Radio behind dash panel, center  
Rear Integrated Control Panel center console, rear  
Rear axle speed sensor vehicle underbody, center, rear  
Rear blower motor center console, rear  
Rear window adjust switch behind dash panel, center - Sport Trac  
Rear window defrost grid in liftgate, LH side, top - Sport  
Rear window defrost grid in liftgate, rear, top - Sport  
Rear window defrost relay behind dash panel, center - Sport  
Rear window defrost switch behind dash panel, center  
Rear window motor rear window, center - Sport Trac  
Rear window wiper disable switch in liftgate, center - Sport  
Rear window wiper lower relay in BJB - Sport  
Rear window wiper raise relay in BJB - Sport  
Rear window wiper/washer switch behind dash panel, center - Sport  
Rear wiper motor assembly in liftgate, center - Sport  
Remote Anti-theft Personality (RAP) module rear window, LH side - Sport Trac, Early production  
RAP module vehicle rear end, LH side - Sport, Early production  
Resistor A vehicle floor, under driver seat - Sport  
Resistor B vehicle floor, under passenger seat - Sport  
Restraints Control Module center console, under dash panel  
Reversing lamp, left vehicle rear end, LH side  
Reversing lamp, right vehicle rear end, RH side  
Reversing lamps switch transmission, center - manual transmission  
Roof opening panel module in roof panel, front  
Roof opening panel switch in roof panel, front  
Safety belt buckle switch vehicle floor, under driver seat  
Seat adjust switch, driver side front vehicle floor, under driver seat  
Side air bag module, left vehicle floor, under driver seat - Sport  
Side air bag module, right vehicle floor, under passenger seat - Sport  
Side air bag sensor, left LH B-pillar, bottom - Sport  
Side air bag sensor, right vehicle floor, under passenger seat - Sport  
Spark plugs engine compartment, center, rear  
Speaker, left front in driver door, front, center  
Speaker, left rear in LH rear door, front, bottom - Sport Trac  
Speaker, left rear vehicle rear end, LH side - Sport  
Speaker, right front in passenger door, front, center  
Speaker, right rear in RH rear door, front, bottom - Sport Trac  
Speaker, right rear vehicle rear end, RH side - Sport  
Speed control servo engine compartment, RH side, rear  
Starter motor engine compartment, center, front  
Starter relay in BJB  
Steering wheel/speed control switch in steering wheel - with speed control  
Subwoofer amplifier rear window, RH side - Sport Trac, Late production  
Subwoofer amplifier vehicle rear end, RH side - Sport, Early production  
Temperature blend door actuator behind dash panel, RH side  
Throttle Position Sensor engine compartment, center  
Trailer tow connector rear bumper, center  
Trailer tow relay Auxiliary relay box 2  
Transfer case assembly vehicle floor, under center console  
Transmission control switch near steering column, LH side  
Washer pump relay, rear in BJB - Sport  
Wheel speed sensor, left front engine compartment, LH side, front  
Wheel speed sensor, right front engine compartment, RH side, front

Window adjust switch, left rear in LH rear door, front, top - Sport Trac .  
 Window adjust switch, passenger side in passenger door, center, top  
 Window adjust switch, right rear in RH rear door, front, top - Sport Trac  
 Window safety relay Auxiliary relay box 2 - Sport  
 Window safety relay in BJB - Sport Trac  
 Windshield washer pump motor engine compartment, RH side, rear  
 Windshield washer relay in BJB  
 Windshield wiper motor engine compartment, center, rear  
 Wiper high/low relay in BJB  
 Wiper run/park relay in BJB

## Connector Locations

**C100** engine compartment, center, front  
**C101** engine compartment, center, front  
**C102a** engine compartment, center, front  
**C102b** engine compartment, center, front  
**C103** engine compartment, center, front  
**C109** engine compartment, center, bottom, rear  
**C110** engine compartment, center  
**C122** engine compartment, RH side, rear  
**C124** engine compartment, LH side, rear  
**C125** engine compartment, center, rear  
**C126** engine compartment, LH side, center  
**C128** engine compartment, RH side, center  
**C131** engine compartment, RH side, front  
**C132** engine compartment, RH side, front  
**C133** engine compartment, center, rear  
**C134** engine compartment, center, rear  
**C135** engine compartment, LH side, rear  
**C137** engine compartment, RH side, rear  
**C139** engine compartment, LH side, center  
**C141** transmission, center - Early production  
**C142** transmission, front - automatic transmission  
**C142** transmission, front - manual transmission  
**C144** engine compartment, LH side, rear  
**C146** engine compartment, LH side, rear  
**C150** engine compartment, LH side, front  
**C152** engine compartment, LH side, front  
**C160** engine compartment, RH side, front  
**C162** engine compartment, RH side, front  
**C164** transmission, center - Late production  
**C167** transmission, center  
**C169** transmission, center - manual transmission  
**C171** engine compartment, center, rear  
**C172** transmission, front - automatic transmission  
**C172** transmission, front - manual transmission  
**C174** engine compartment, center, rear  
**C175** engine compartment, center, rear  
**C180** engine compartment, center  
**C181** engine, RH side, front  
**C182** engine, RH side, center  
**C183** engine, RH side, rear  
**C184** engine, LH side, front  
**C185** engine, LH side, center  
**C186** engine, LH side, rear  
**C189** engine compartment, center  
**C193** transmission, rear  
**C197a** engine compartment, center, front  
**C197b** engine compartment, center, front  
**C199** transmission, front  
**C201a** behind dash panel, center - Early production  
**C201b** behind dash panel, center - Early production  
**C201c** behind dash panel, center - Early production  
**C202a** instrument cluster, near steering column  
**C202b** instrument cluster, near steering column

C205	dash panel, LH side
C206	dash panel, LH side
C210	RH rocker panel
C211	RH rocker panel
C212	on steering column, rear
C213	center console, front
C214	center console, front
C215	behind dash panel, LH side
C218a	in steering wheel
C218b	in steering wheel
C219	LH rocker panel
C220a	behind instrument cluster
C220b	behind instrument cluster
C220c	behind instrument cluster
C237	RH rocker panel
C238	RH rocker panel
C239	behind dash panel, LH side
C240	behind dash panel, center
C241	behind dash panel, center
C250	instrument cluster, on steering column
C251	under dash panel, driver side
C252	behind dash panel, RH side - Early production
C254	behind dash panel, RH side
C256	behind dash panel, RH side
C257	under dash panel, on clutch pedal support
C274a	behind dash panel, RH side - Late production
C274b	behind dash panel, RH side - Late production
C278	under dash panel, on brake pedal support
C279	near steering column, LH side
C281a	RH rocker panel
C281b	RH rocker panel
C282	RH rocker panel
C284	behind dash panel, center
C289	behind dash panel, RH side
C290a	behind dash panel, center
C290b	behind dash panel, center
C290c	behind dash panel, center
C294a	behind dash panel, near air conditioning/heating control unit
C294b	behind dash panel, near air conditioning/heating control unit
C294c	behind dash panel, near air conditioning/heating control unit
C294d	behind dash panel, near air conditioning/heating control unit
C304	vehicle floor, under passenger seat - Sport
C305	LH B-pillar, bottom - Sport
C309a	rear window, LH side - Sport Trac, Early production
C309a	vehicle rear end, LH side - Sport, Early production
C309b	rear window, LH side - Sport Trac, Early production
C309b	vehicle rear end, LH side - Sport, Early production
C311	vehicle underbody, LH side, center
C312	vehicle floor, under passenger seat - Sport
C313	vehicle floor, under driver seat
C314	vehicle floor, under driver seat - Sport
C316	vehicle floor, under driver seat
C323	vehicle floor, under driver seat
C327	RH B-pillar, center - Sport Trac
C328	LH B-pillar, center - Sport Trac
C337	vehicle floor, under passenger seat - Sport
C339	vehicle underbody, LH side, center
C340	vehicle underbody, LH side, center
C349	center console, rear
C350	vehicle floor, under center console - Sport
C350	vehicle floor, under center console - Sport Trac
C351	rear window, center - Sport Trac
C357	vehicle floor, under driver seat
C360	vehicle floor, under driver seat
C367	vehicle floor, under driver seat - Sport

C369	vehicle floor, under driver seat - Sport Trac
C380	center console, front
C395	vehicle rear end, LH side - Sport
C396	vehicle rear end, RH side - Sport
C402a	in liftgate, LH side, top - Sport
C402b	in liftgate, rear, top - Sport
C406	in liftgate, LH side - Sport
C408	in liftgate, LH side - Sport
C410	in liftgate, LH side - Sport
C412	vehicle rear end, LH side
C415	vehicle rear end, RH side
C421	rear bumper, LH side - Sport Trac
C422	rear bumper, LH side - Sport Trac
C433	vehicle underbody, on fuel tank - without flex fuel
C439	rear bumper, center - Sport
C439	rear bumper, center - Sport Trac
C450	vehicle underbody, LH side, rear
C451	vehicle rear end, LH side - Sport
C451	vehicle rear end, LH side - Sport Trac
C452	in liftgate, center - Sport
C454	rear bumper, LH side - Sport Trac
C455	vehicle underbody, center, rear
C456	vehicle rear end, LH side - Sport
C457	in liftgate, LH side - Sport
C458	in liftgate, LH side - Sport
C459	in liftgate, RH side - Sport
C461	vehicle rear end, RH side
C462	in liftgate, center - Sport
C464	rear bumper, RH side - Sport Trac
C466	vehicle rear end, RH side - Sport, Early production
C466	rear window, RH side - Sport Trac, Late production
C467	in liftgate, center - Sport
C474	vehicle rear end, LH side - Sport Trac
C476	in liftgate, center - Sport
C500	in driver door, rear, center
C504a	in driver door, front, center
C504b	in driver door, front, center
C505	in driver door, front, center
C510	in driver door, front, center
C520	in driver door, front, top
C521	in driver door, front, top
C523	in driver door, front, center
C524	in driver door, bottom, center
C525	in driver door, rear, bottom
C526a	in driver door, rear, top
C526b	in driver door, rear, top
C527	in driver door, front, top
C601	in passenger door, front, top
C602a	in passenger door, rear, top
C602b	in passenger door, rear, top
C603	in passenger door, rear, bottom
C604	in passenger door, center, top
C605	in passenger door, center, top
C608	in passenger door, center, bottom
C612	in passenger door, front, center
C615	in passenger door, front, top
C701	in LH rear door, front, top - Sport Trac
C702	in LH rear door, front, bottom - Sport Trac
C703	in LH rear door, center - Sport Trac
C704	in LH rear door, rear, bottom Sport Trac
C715a	in LH rear door, rear, top - Sport Trac
C715b	in LH rear door, rear, top - Sport Trac
C801	in RH rear door, front, top - Sport
C802	in RH rear door, front, bottom - Sport Trac
C803	in RH rear door, center - Sport Trac

C804	in RH rear door, rear, bottom Sport Trac
C820a	in RH rear door, rear, top - Sport Trac
C820b	in RH rear door, rear, top - Sport Trac
C904	in roof panel, rear, center - Sport
C912	in roof panel, front
C919	in roof panel, rear, LH side - Sport
C921	in roof panel, front
C922	in roof panel, rear, center - Sport
C925	in roof panel, rear, LH side - Sport
C927	in roof panel, rear - Sport Trac
C930	in roof panel, front
C931a	in roof panel, front
C931b	in roof panel, front
C932a	in roof panel, rear - Sport Trac
C932a	in roof panel, rear, center - Sport
C932b	in roof panel, rear - Sport Trac
C932b	in roof panel, rear, center - Sport
C1001	in Battery Junction Box ( <b>BJB</b> )
C1002	in BJB
C1004	in BJB
C1006	in BJB
C1007	in BJB
C1008	in BJB
C1011	in BJB
C1016	in BJB
C1017	in BJB
C1018	in BJB
C1021	engine compartment, LH side, front
C1023	engine compartment, LH side, front
C1025	engine compartment, LH side, center
C1029	engine compartment, LH side, front
C1030	engine compartment, LH side, front
C1031	engine compartment, RH side, rear
C1032	engine compartment, RH side, rear
C1035	engine compartment, LH side, rear
C1036	in BJB - Sport
C1037	in BJB - Sport
C1038	in BJB
C1039	in BJB - Sport
C1041	engine compartment, RH side, front
C1043	engine compartment, RH side, front
C1051	in BJB
C1056	Auxiliary relay box 1
C1061	engine compartment, center
C1064	engine compartment, center
C1065	engine compartment, center, rear
C1066	engine compartment, center
C1068	engine compartment, center
C1072	engine compartment, center, rear
C1078	engine compartment, center
C1081	engine compartment, RH side, rear
C1095	in BJB - Sport Trac
C1096	in BJB - Sport Trac
C1100a	engine compartment, LH side, center
C1100b	engine compartment, LH side, center
C1107	transmission, LH side, rear - manual transmission
C2000	behind dash panel, center
C2007	in steering wheel - Early production
C2008	near steering column, LH side
C2013a	behind dash panel, center - Early production
C2013b	behind dash panel, center - Early production
C2014	under dash panel, center
C2015	LH rocker panel
C2021	behind dash panel, center
C2022	Auxiliary relay box 2

C2031a	under dash panel, center
C2031b	under dash panel, center
C2033	under dash panel, center
C2041a	center console, under dash panel
C2041b	center console, under dash panel
C2047	Auxiliary relay box 2
C2048	Auxiliary relay box 2
C2049	Auxiliary relay box 2
C2051	Auxiliary relay box 2
C2058	Auxiliary relay box 2
C2059	behind dash panel, RH side - Sport, Late production
C2060	behind dash panel, center
C2061	RH rocker panel - Early production
C2062	behind dash panel, center - Early production
C2063	Auxiliary relay box 2- Early production
C2097	in steering wheel - Late production
C2100a	behind dash panel, center Late production
C2100b	behind dash panel, center - Late production
C3002	center console, rear
C3003	center console, rear
C3006	center console, rear
C3007	rear window, RH side - Sport Trac
C3010	Auxiliary relay box 3 - Sport
C3011	Auxiliary relay box 3 - Sport
C3012	Auxiliary relay box 3 - Sport
C3013	Auxiliary relay box 3 - Sport
C4033	vehicle underbody, on fuel tank - with flex fuel

## Ground Locations

G100	engine compartment, center, rear
G101	engine compartment, LH side, front
G102	engine compartment, LH side, front
G103	engine compartment, LH side, front
G104	engine compartment, LH side, front
G105	engine compartment, RH side, center
G106	engine compartment, RH side, center
G107	engine compartment, LH side, front
G108	engine compartment, center, front
G200	RH rocker panel
G201	RH rocker panel
G202	RH rocker panel
G203	RH rocker panel
G204	center console, under dash panel
G300	LH rocker panel
G400	in liftgate, center
G900	in roof panel, rear, center
G901	in roof panel, front
G902	in liftgate, rear, top

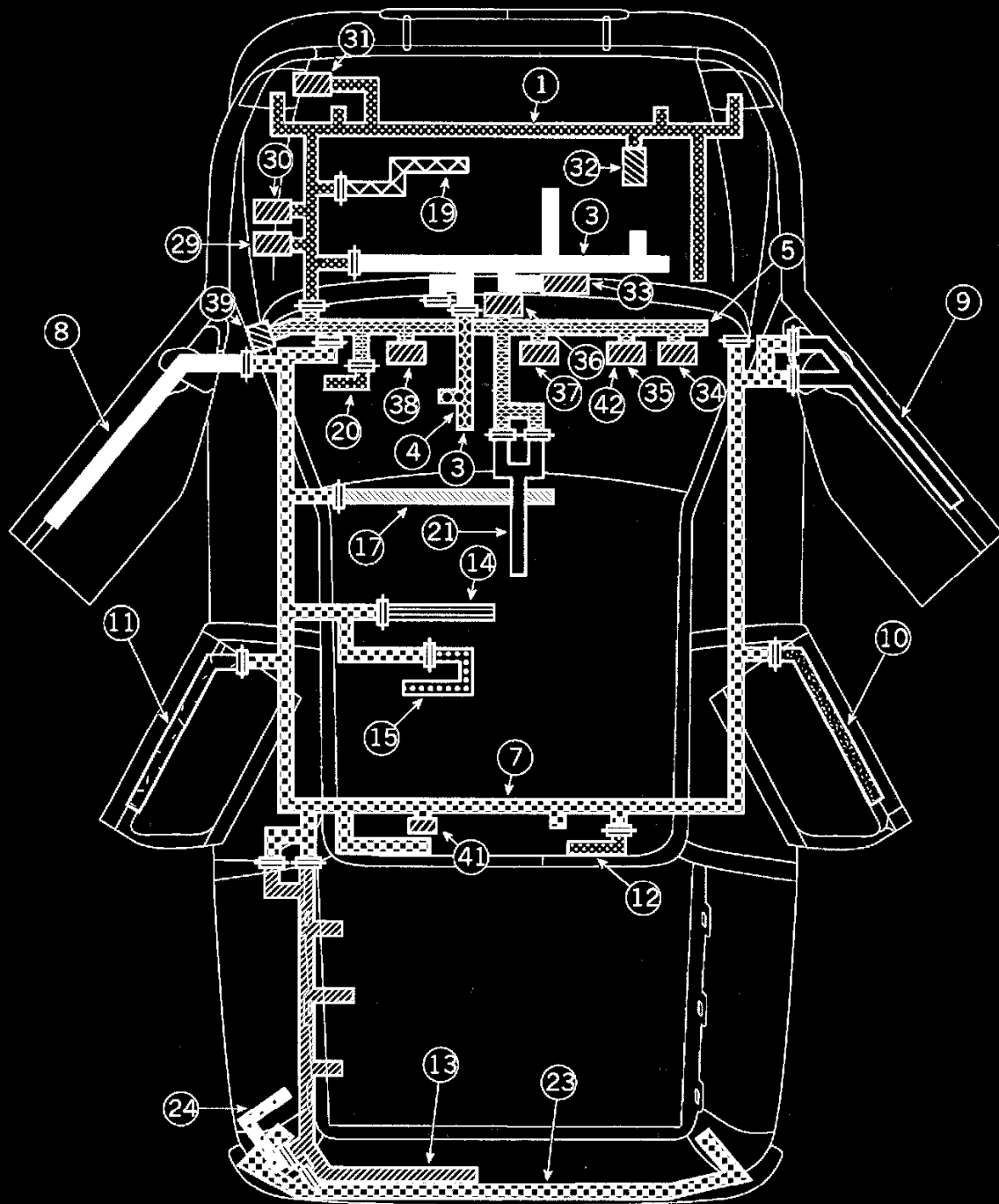
## Splice Locations

S100	engine compartment, center, rear
S101	engine, LH side, front
S102	engine, LH side, front
S103	engine, LH side, center
S104	engine, LH side, center
S105	engine compartment, center, rear
S106	engine compartment, center, rear
S107	engine compartment, center, rear
S108	engine compartment, center, rear
S109	engine compartment, LH side, rear
S110	engine compartment, LH side, rear
S111	engine compartment, LH side, rear
S112	engine compartment, LH side, rear
S113	engine compartment, LH side, rear
S114	engine compartment, LH side, rear
S115	engine compartment, LH side, center

S116	engine compartment, LH side, center
S117	engine compartment, LH side, center
S118	engine compartment, LH side, center
S119	engine compartment, LH side, front
S120	engine compartment, center, RH side
S121	engine compartment, center, RH side
S122	engine compartment, center, RH side
S123	engine compartment, center, RH side
S124	engine compartment, center, RH side
S125	engine compartment, center, front
S126	engine compartment, center, front
S127	engine compartment, RH side, rear
S128	engine compartment, center, rear
S129	engine compartment, center, rear
S130	engine compartment, LH side, center
S131	engine compartment, LR side, center
S132	engine compartment, center, rear
S133	engine, RH side, front
S134	engine, RH side, rear
S135	engine, LH side, front
S136	engine compartment, center
S137	engine compartment, center
S138	engine compartment, center
S139	engine compartment, center
S140	engine compartment, center, rear
S141	transmission, front
S142	engine compartment, center, rear
S143	engine compartment, center, rear
S144	transmission, rear
S145	engine compartment, center, rear

## Harness Locations

# Sport Trac



⏏ Connector

Item	Description
1	Wiring harness - Dash panel to headlamp junction
2	Wiring harness - Wiring harness – Dash panel to engine
3	Wiring harness - Engine controls Sensor + fuel charge
4	Wiring harness - Engine controls Sensor Extension Early production
5	Wiring harness - Main
6	Wiring harness - Window regulator jumper
7	Wiring harness - Body
8	Wiring harness - left front door
9	Wiring harness - right front door
10	Wiring harness - RH rear door
11	Wiring harness - LH rear door
12	Wiring harness - Back window feed
13	Wiring harness - Rear lamp jumper
14	Wiring harness - Transfer case Four-wheel drive control
15	Wiring harness - Seat control feed jumper
16	Wiring harness - Side air bag
17	Wiring harness - Interior lamp feed
18	Wiring harness - Interior lamp
19	Wiring harness - Battery
20	Wiring harness - Headlamp dimmer switch jumper
21	Wiring harness - Console Panel
22	Wiring harness - High mounted stoplamp jumper
23	Wiring harness - Rear lamp jumper
24	Wiring harness - Accessory connector to relay
25	Wiring harness - Liftgate
26	Wiring harness - Radio power booster and Equalizer amplifier
27	Wiring harness - Back window heater Ground
28	Wiring harness - Back window heat control jumper
29	Battery Junction Box (BJB)
30	ABS control module
31	Daytime Running Lamps (DRL) module
32	Auxiliary relay box 1
33	Powertrain Control Module (PCM)
34	Four-wheel drive control module
35	Passive anti-theft transceiver module, Early production
36	Generic Electronic Module (GEM)
37	Restraints Control Module (RCM)
38	Auxiliary relay box 2

Item	Description
39	Central Junction Box (CJB)
40	Auxiliary relay box 3, Early production
41	Remote Anti-theft Personality (RAP) module, Early production
42	Central security module, Late production