

Transmission Speed Sensor: Service and Repair

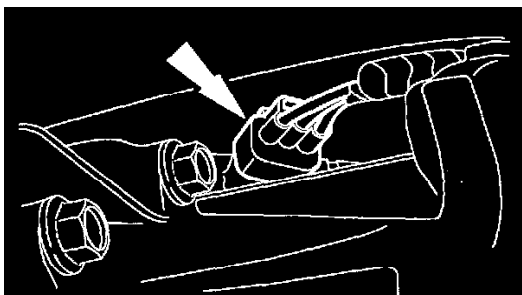
Output Shaft Speed (OSS) Sensor

Output Shaft Speed (OSS) Sensor

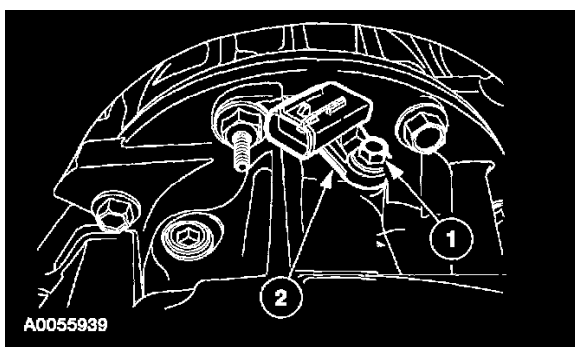
Removal

All vehicles

1. With the vehicle in NEUTRAL, position it on a hoist.



2. Disconnect the Output Shaft Speed (OSS) sensor.

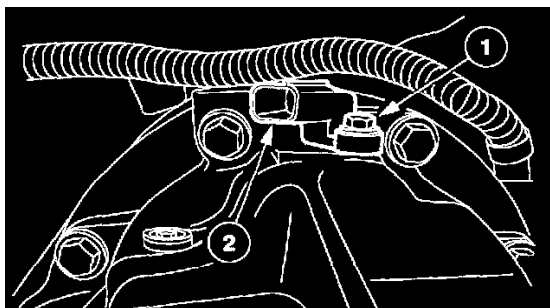


4x4 vehicles

3. **NOTE:** Prior to removing the speed sensor, make sure that the area around the sensor is free of debris to prevent contamination of the transmission.

Remove the Output Shaft Speed (OSS) sensor.

- 1 Remove the bolt.
- 2 Remove the Output Shaft Speed (OSS) sensor.



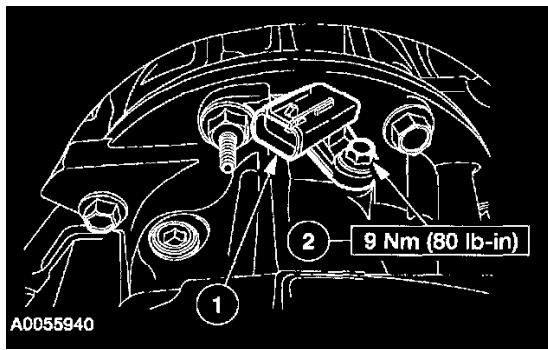
4x2 vehicles

4. **NOTE:** Prior to removing the speed sensor, make sure that the area around the sensor is free of debris to prevent contamination of the transmission.

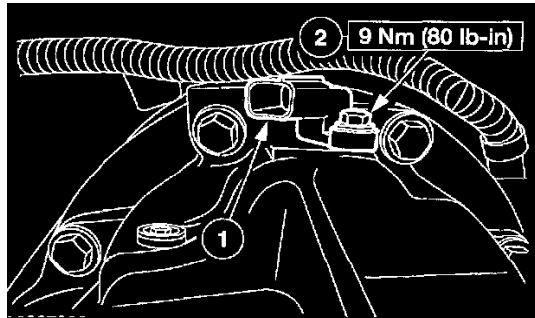
Remove the Output Shaft Speed (OSS) sensor.

- 1 Remove the bolt.
- 2 Remove the Output Shaft Speed (OSS) sensor.

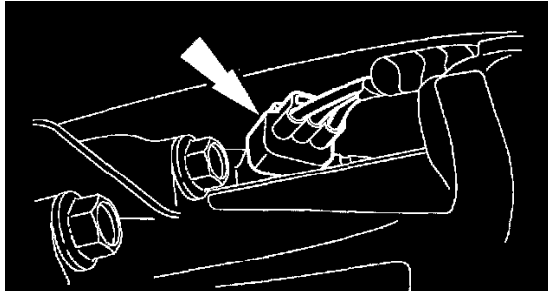
Installation

**4x4 vehicles**

1. Install the Output Shaft Speed (OSS) sensor.
 - 1 Lubricate the O-ring and install the Output Shaft Speed (OSS) sensor.
 - 2 Install the bolt.

**4x2 vehicles**

2. Install the Output Shaft Speed (OSS) sensor.
 - 1 Lubricate the O-ring and install the Output Shaft Speed (OSS) sensor.
 - 2 Install the bolt.

**All vehicles**

3. Connect the Output Shaft Speed (OSS) sensor electrical connector.